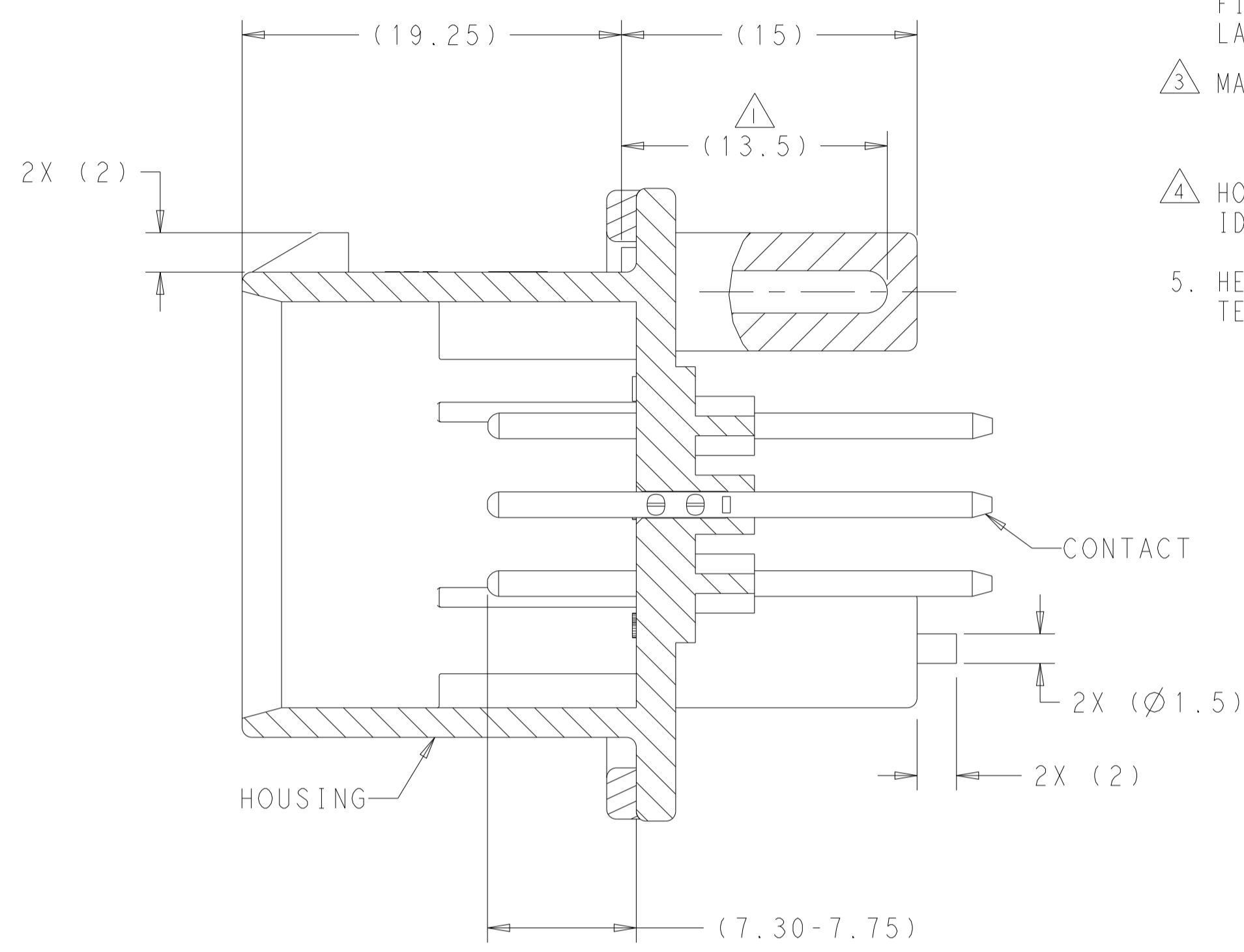
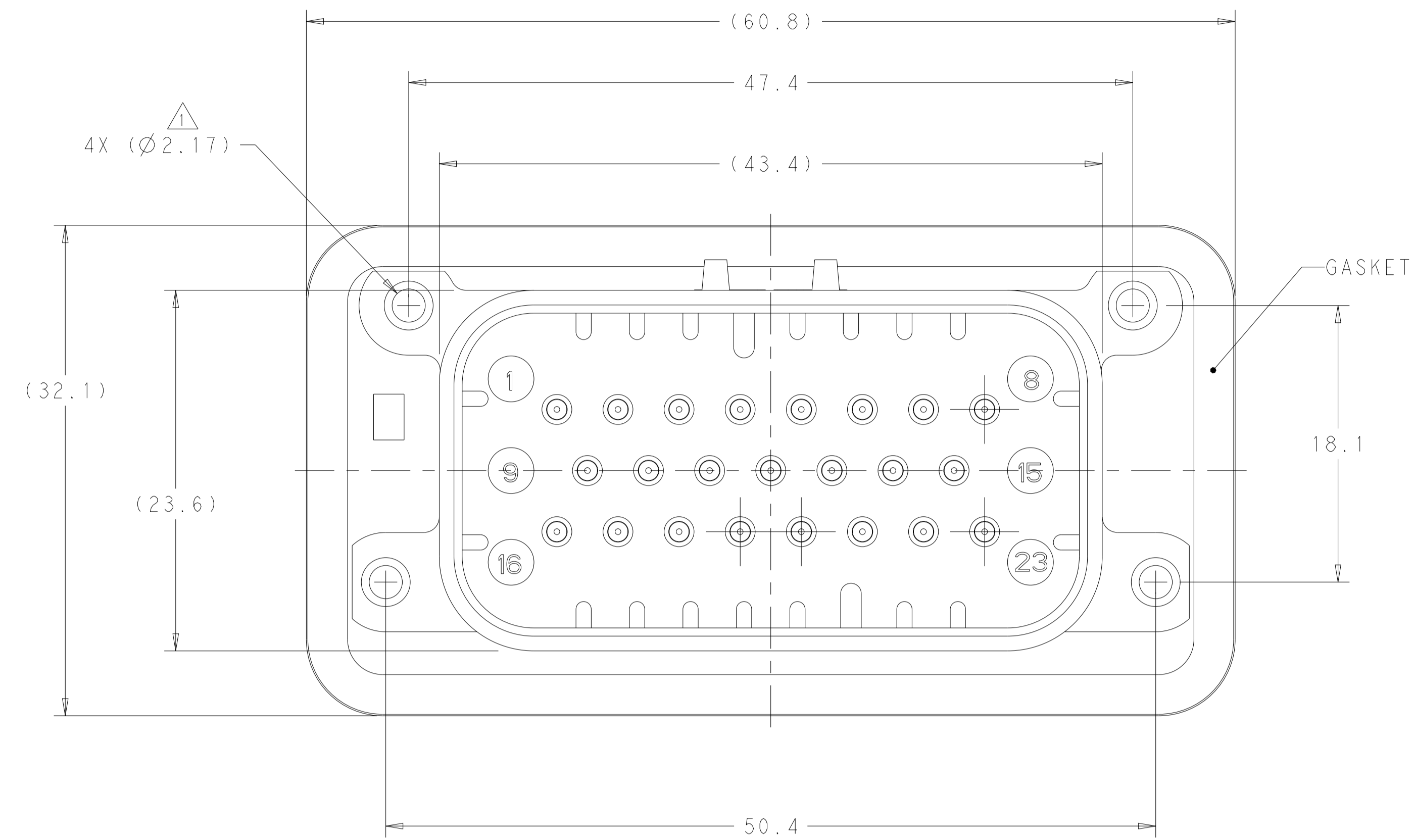
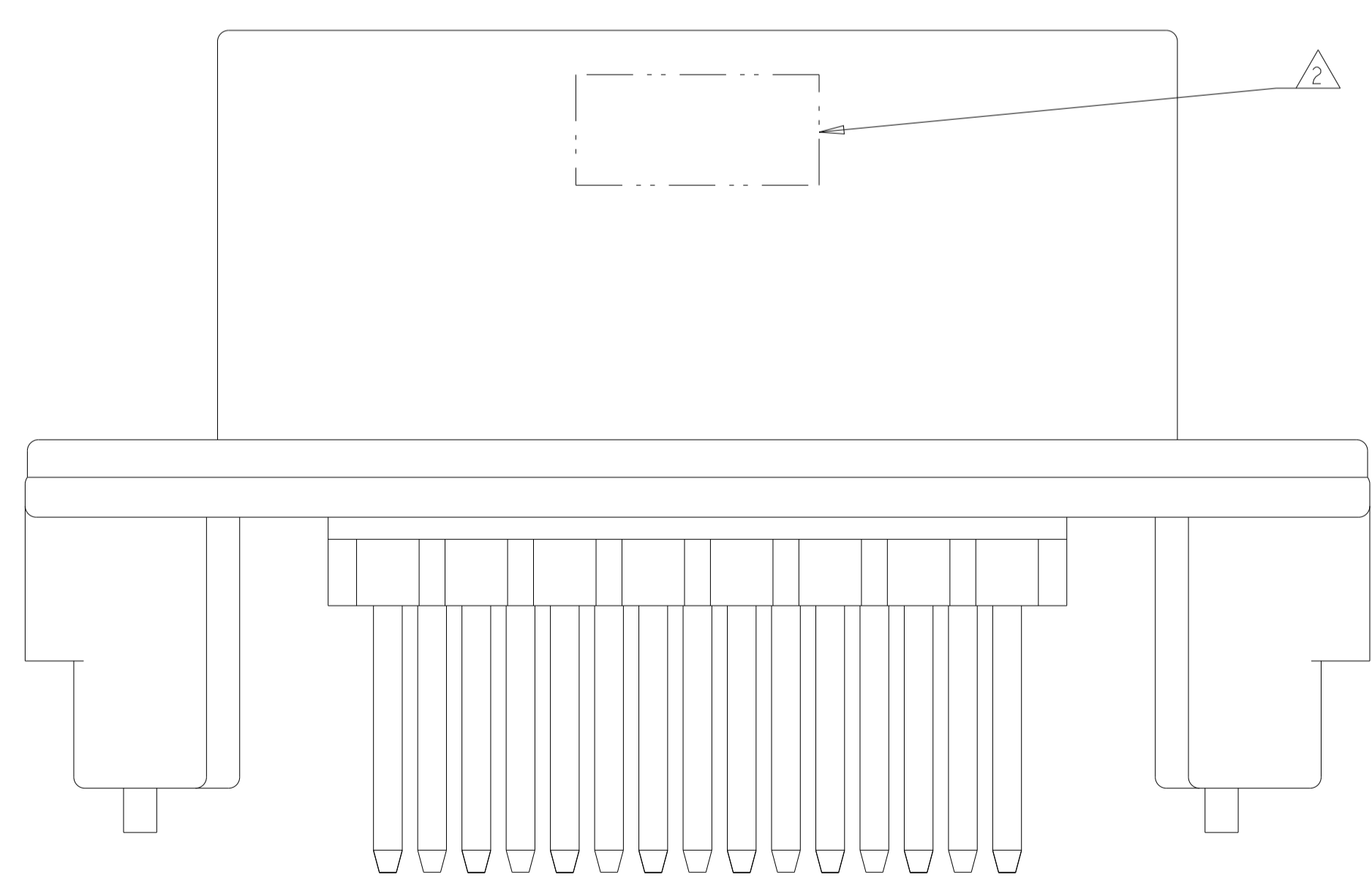


REVISIONS				
P	LTN	DESCRIPTION	DATE	APVD
C15		REVISED PER ECO-20-004256	25MAR2020	JM DS
C16		REVISED PER PCN E-20-016603	20NOV2020	PN DS
D		REVISED PER ECN-21-123056	08NOV2021	DK CB



SECTION A-A

- 1. SUGGESTED MOUNTING SCREW SIZE IS $\varnothing 2.50-3.00\text{mm}$ ($\varnothing 0.099 - 0.118$ INCH) SELF TAPPING THREAD FORMING SCREW, SUCH AS DELTA PT, TO BE DRIVEN AT 0.6-0.8 N-m. THE CUSTOMER SHOULD TEST THE SCREW SIZE AND TYPE IN ORDER TO VERIFY THEIR SELECTION FOR THEIR APPLICATION
- 2. DATE CODE IN THIS LOCATION USING 5 DIGIT CODE. FIRST 2 DIGITS = YEAR, SECOND 2 DIGITS = WEEK, LAST DIGIT = DAY
- 3. MATERIALS: HEADER HOUSING - GLASS FILLED PBT
PINS - TIN OR GOLD PLATED BRASS
GASKET - SILICONE
- 4. HOUSING COLORS ARE MECHANICALLY KEYED TO MATE ONLY WITH IDENTICALLY COLORED PLUG ASSEMBLIES.
- 5. HEADER MATES TO PLUG ASSEMBLY 770680 WHICH USES REELED TERMINAL 770520 OR LOOSE PIECE TERMINAL 770854



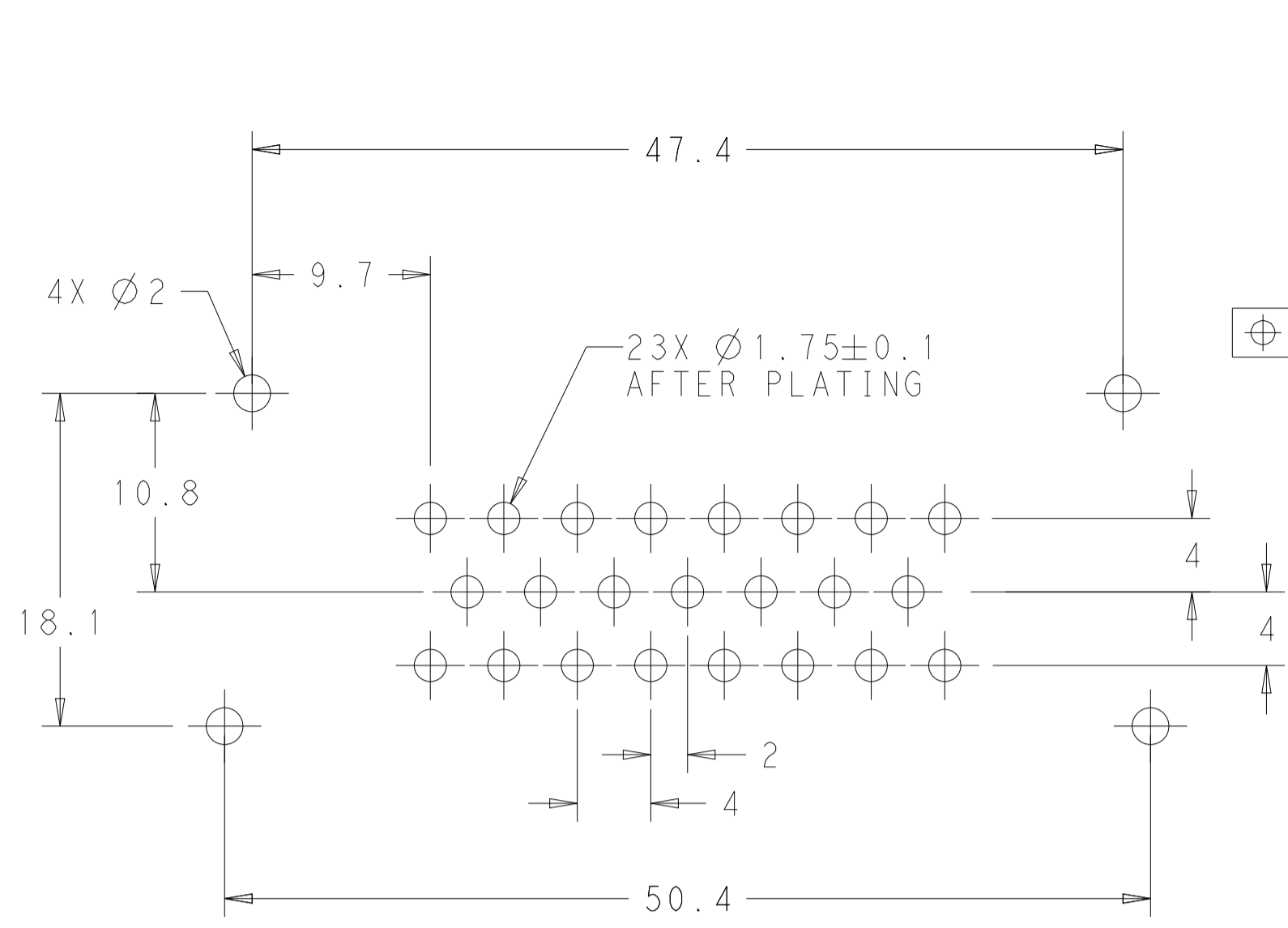
776228-1 & 1-776228-1 SHOWN

HEADER COLOR	PLATING	PART NUMBER
BLUE	GOLD	1-776228-5
GRAY	GOLD	1-776228-4
NATURAL	GOLD	1-776228-2
BLACK	GOLD	1-776228-1
BLUE	TIN	776228-5
GRAY	TIN	776228-4
NATURAL	TIN	776228-2
BLACK	TIN	776228-1

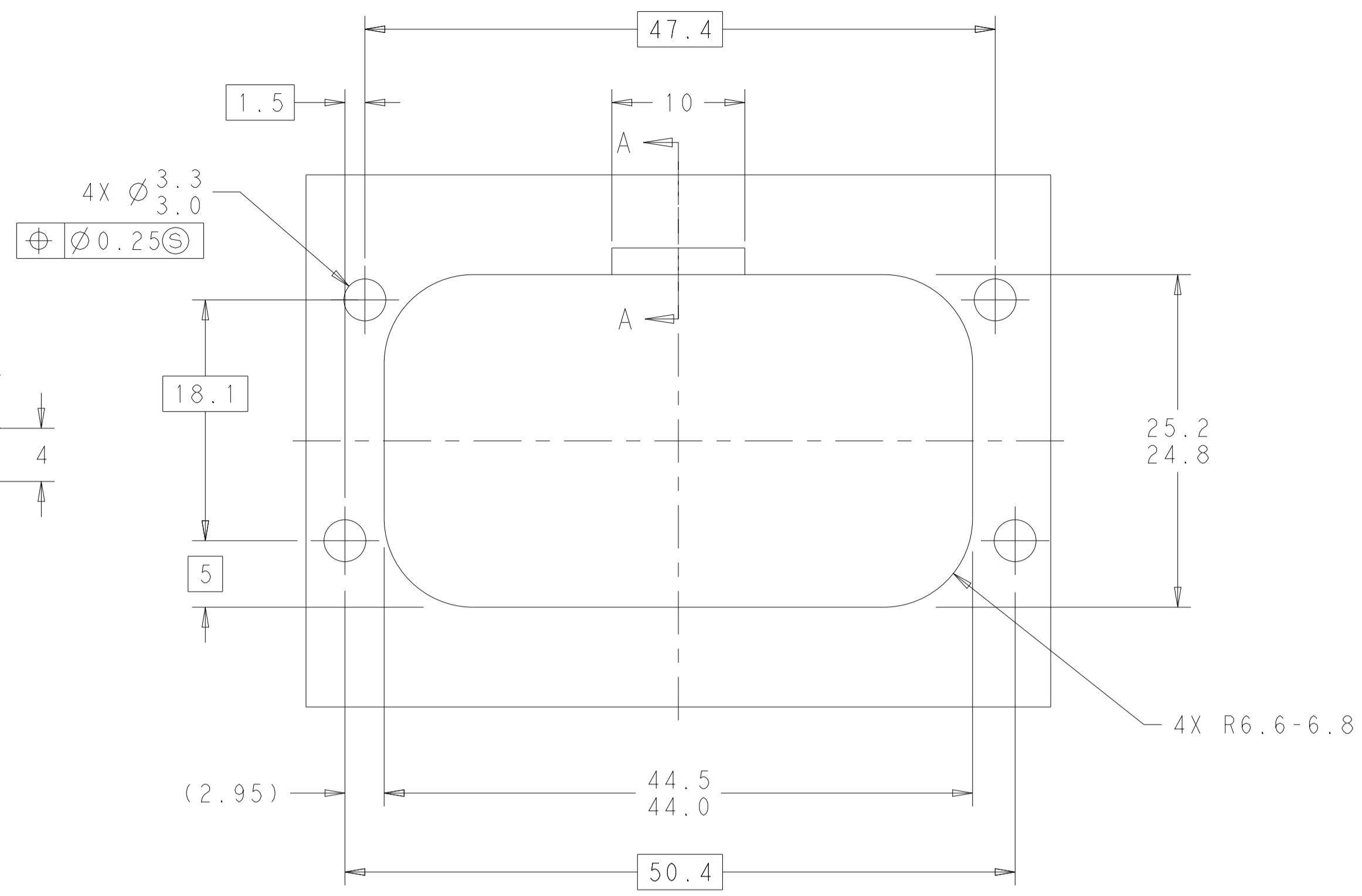
THIS DRAWING IS A CONTROLLED DOCUMENT.		OWN: D. STRAUSSER 05MAR2010	D. STRAUSSER 25MAR2010	
DIMENSIONS: mm		CHK: D. STRAUSSER 27APR2010	NAME: ASSEMBLY, HEADER, 23 POSITION, VERTICAL, AMPSEAL WITH FLANGE SEAL	
TOLERANCES UNLESS OTHERWISE SPECIFIED:		APVD: D. STRAUSSER	PRODUCT SPEC: 108-1329	
0 PLC ±0.2		APPLICATION SPEC: 114-16016		
1 PLC ±0.2		SIZE: A1		
2 PLC ±0.2		CAGE CODE: 00779		
3 PLC ±0.2		DRAWING NO: 776228		
4 PLC ±0.2		RESTRICTED TO: -		
ANGLES ±0.5		WEIGHT: 22.68g		
FINISH		CUSTOMER DRAWING		

SCALE: 4:1 SHEET 1 OF 2 REV D

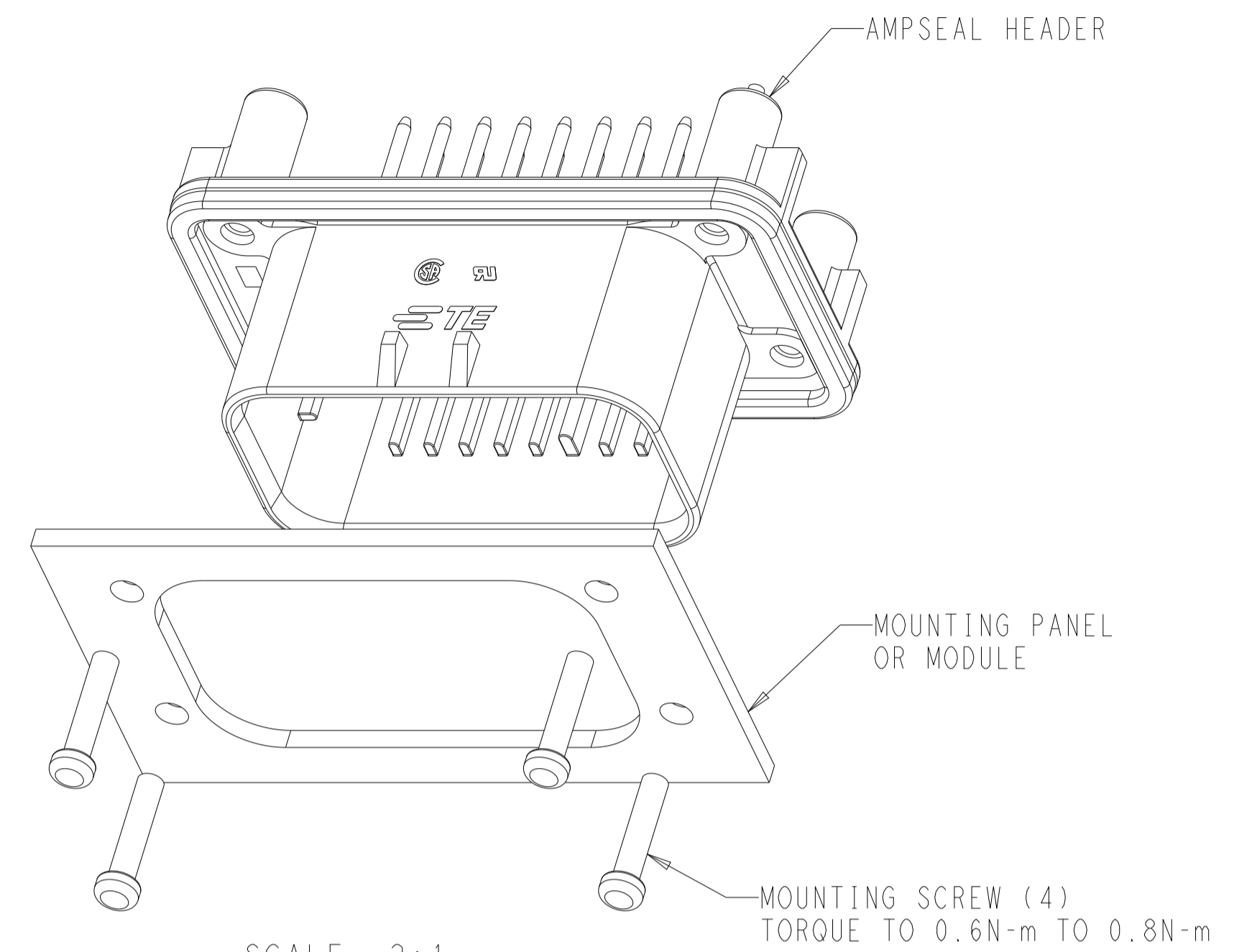
REVISIONS				
P. LTH	DESCRIPTION	DATE	OWN	APVD
-	SEE SHEET 1	-	-	-



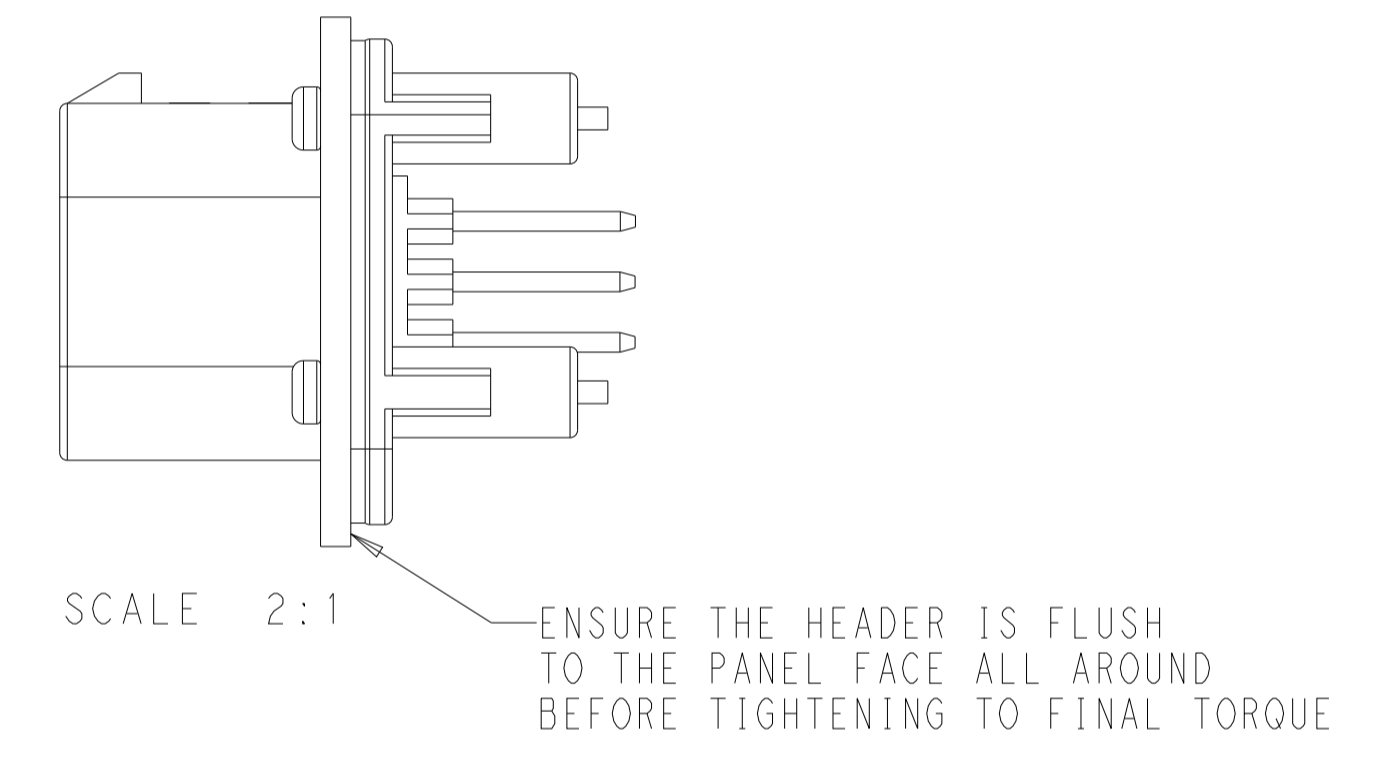
RECOMMENDED P.C. BOARD LAYOUT FOR 1.57 THICK P.C. BOARD



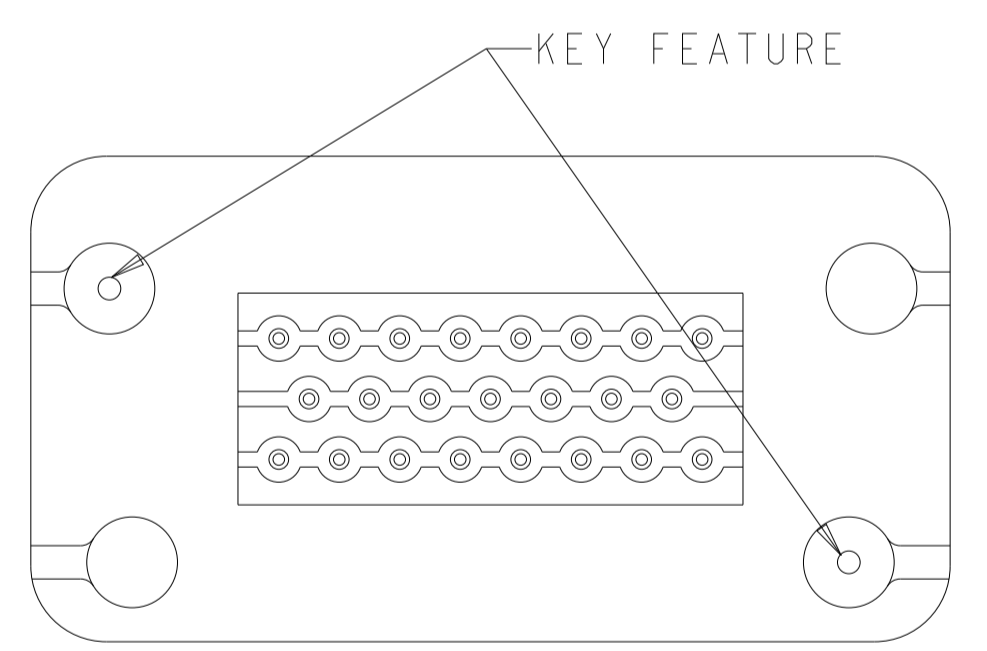
RECOMMENDED MOUNTING HOLE LAYOUT FOR 5.0 MAX THICK PANEL



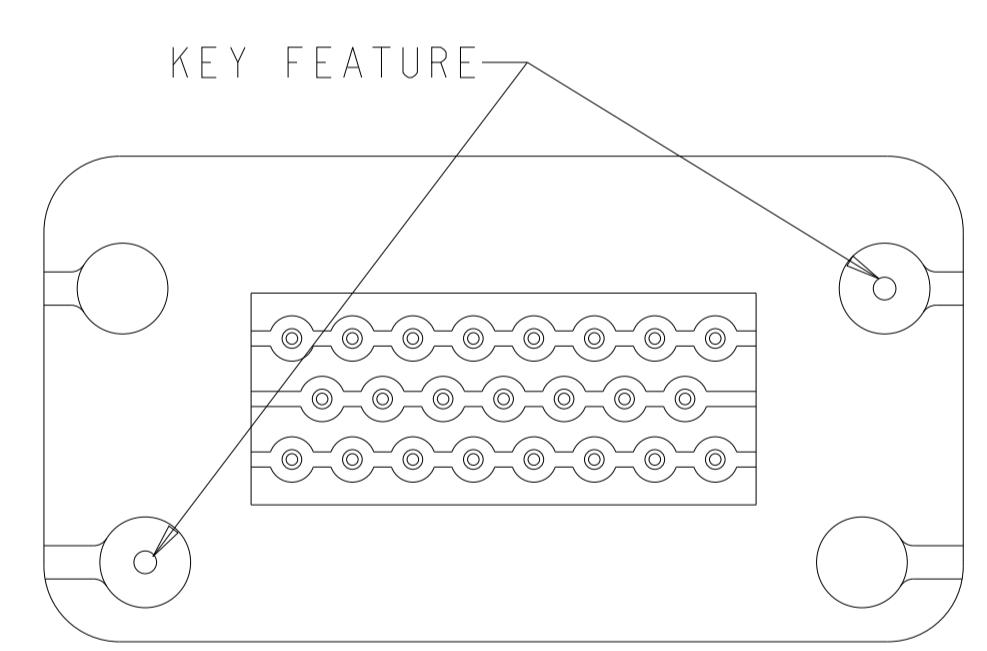
SCALE 2:1



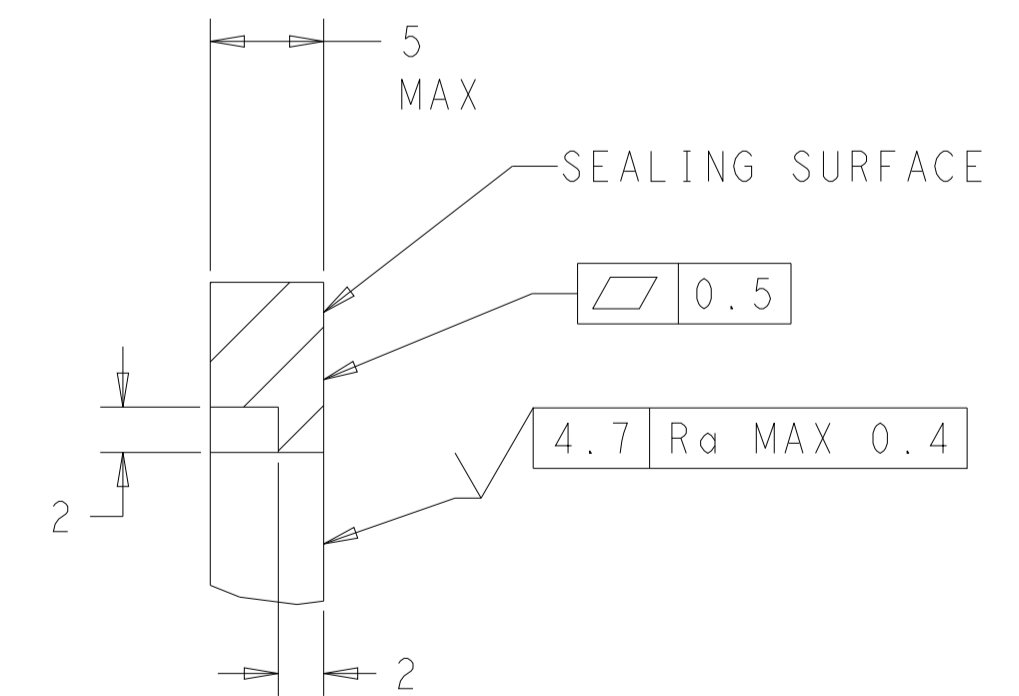
SCALE 2:1



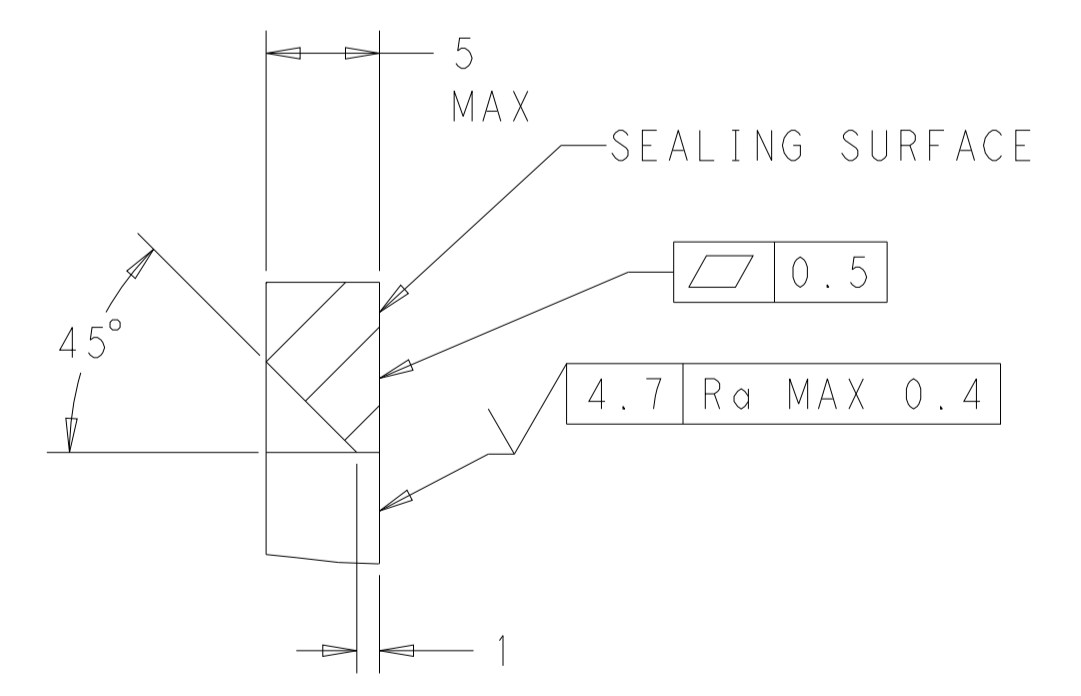
KEYING FOR 776228-1 AND 776228-5 SCALE 2:1



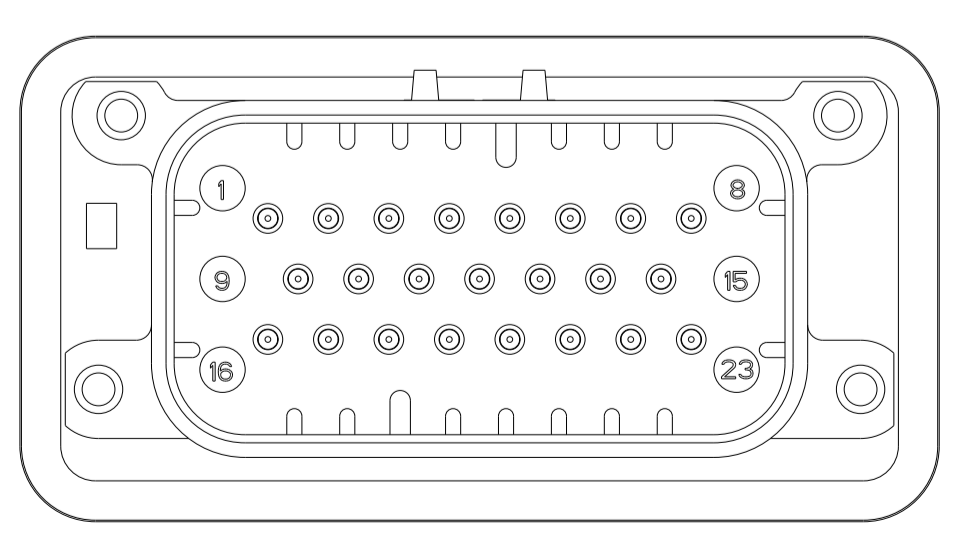
KEYING FOR 776228-2 AND 776228-4 SCALE 2:1



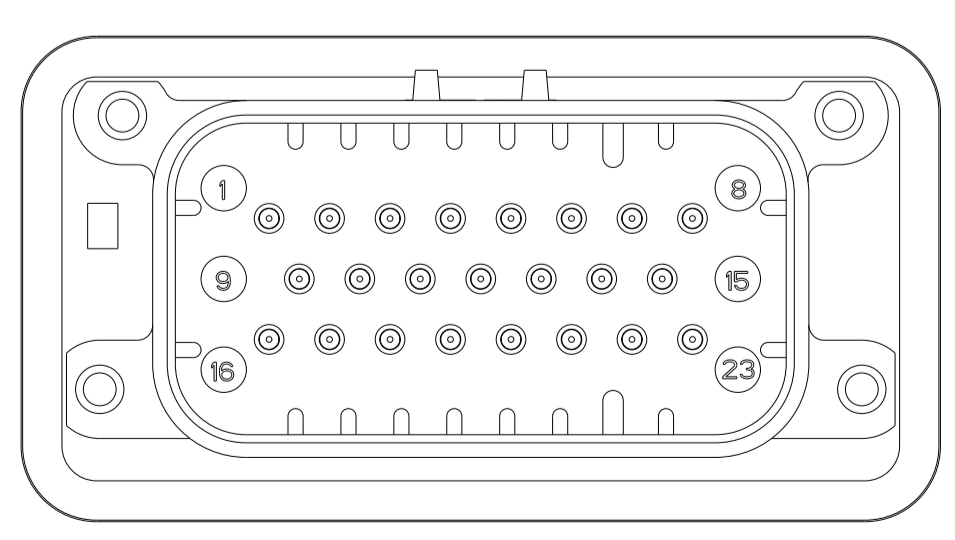
SECTION A-A
OPTIONAL CONSTRUCTION IF PANEL THICKNESS IS GREATER THAN 2.0



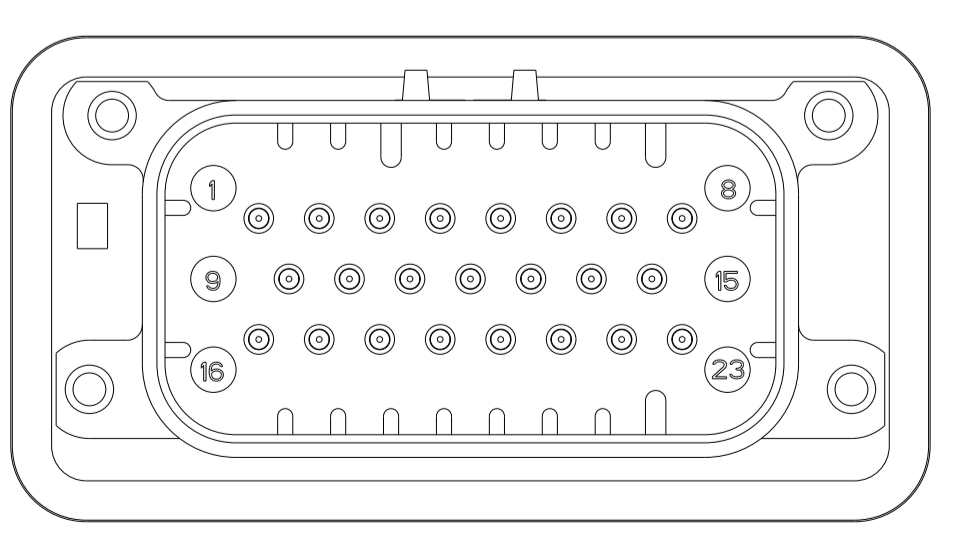
SECTION A-A
OPTIONAL CONSTRUCTION IF PANEL THICKNESS IS GREATER THAN 2.0



776228-2 & 1-776228-2
KEY LOCATION
SCALE 2:1



776228-4 & 1-776228-4
KEY LOCATION
SCALE 2:1



776228-5 & 1-776228-5
KEY LOCATION
SCALE 2:1

THIS DRAWING IS A CONTROLLED DOCUMENT.		OWN: D. STRAUSSER 05MAR2010	STE TE Connectivity	
DIMENSIONS: mm		CHK: D. STRAUSSER 22MAR2010	NAME: ASSEMBLY, HEADER, 23 POSITION, VERTICAL, AMPSEAL WITH FLANGE SEAL	
TOLERANCES UNLESS OTHERWISE SPECIFIED:		APVD: D. STRAUSSER 27APR2010	PRODUCT SPEC: 108-1329	
0 PLC ±0.2		APPLICATION SPEC: 114-16016		
1 PLC ±0.2		WEIGHT: 22.68g		
2 PLC ±0.2		CUSTOMER DRAWING		
3 PLC ±0.2		SCALE: 2:1		
4 PLC ±0.2		SHEET: 2 OF 2		
ANGLES ±0.5		REV: D		
FINISH ±0.1		A100779C=776228		