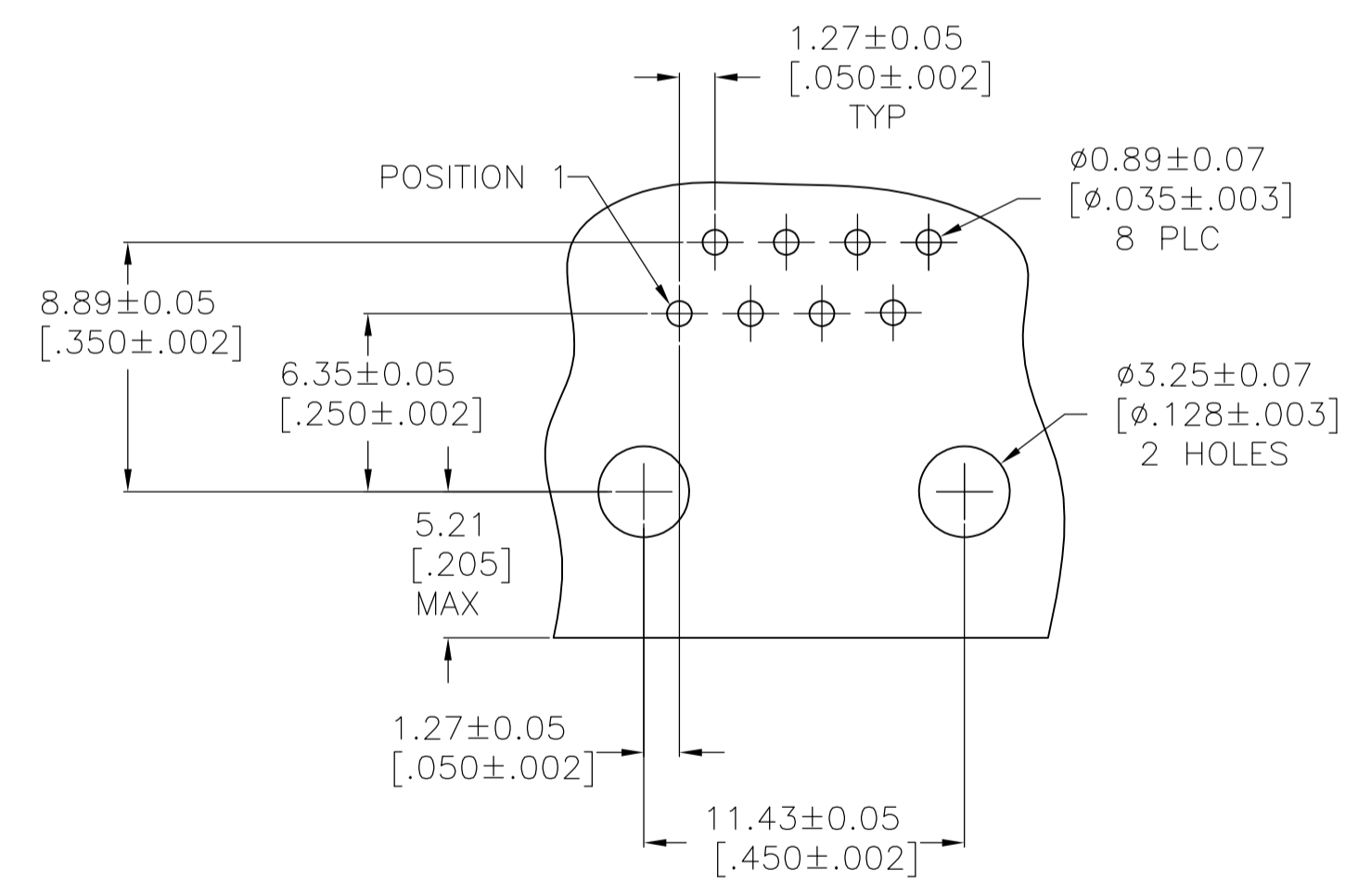
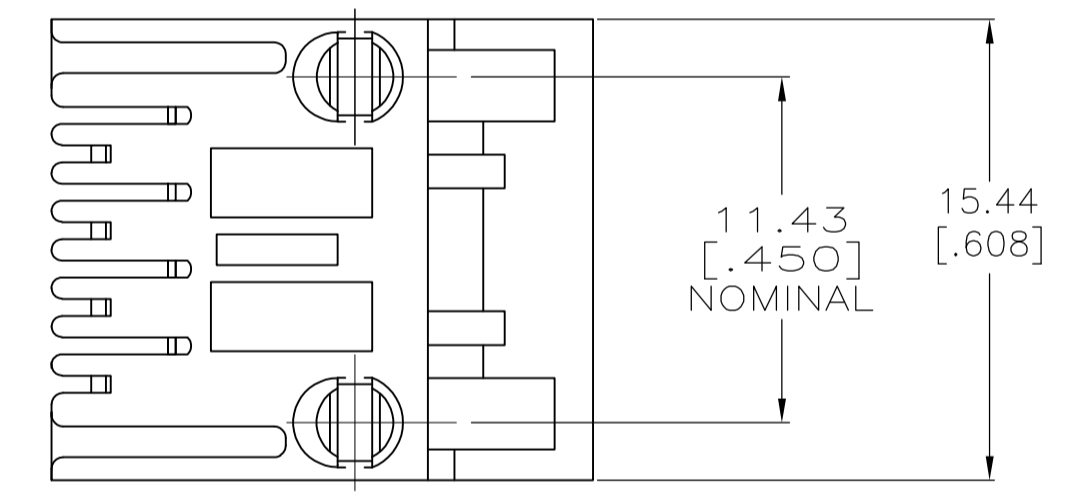
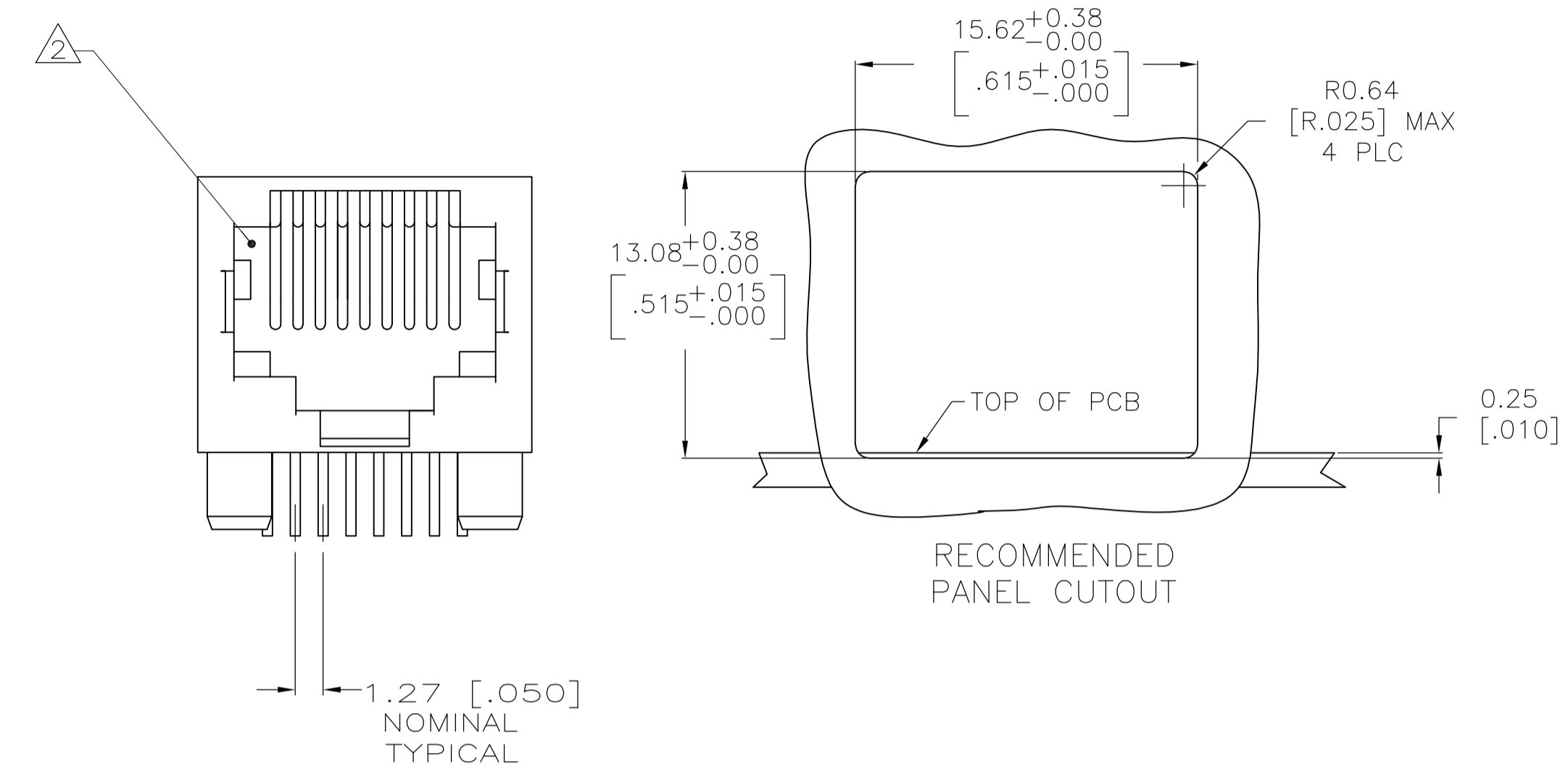
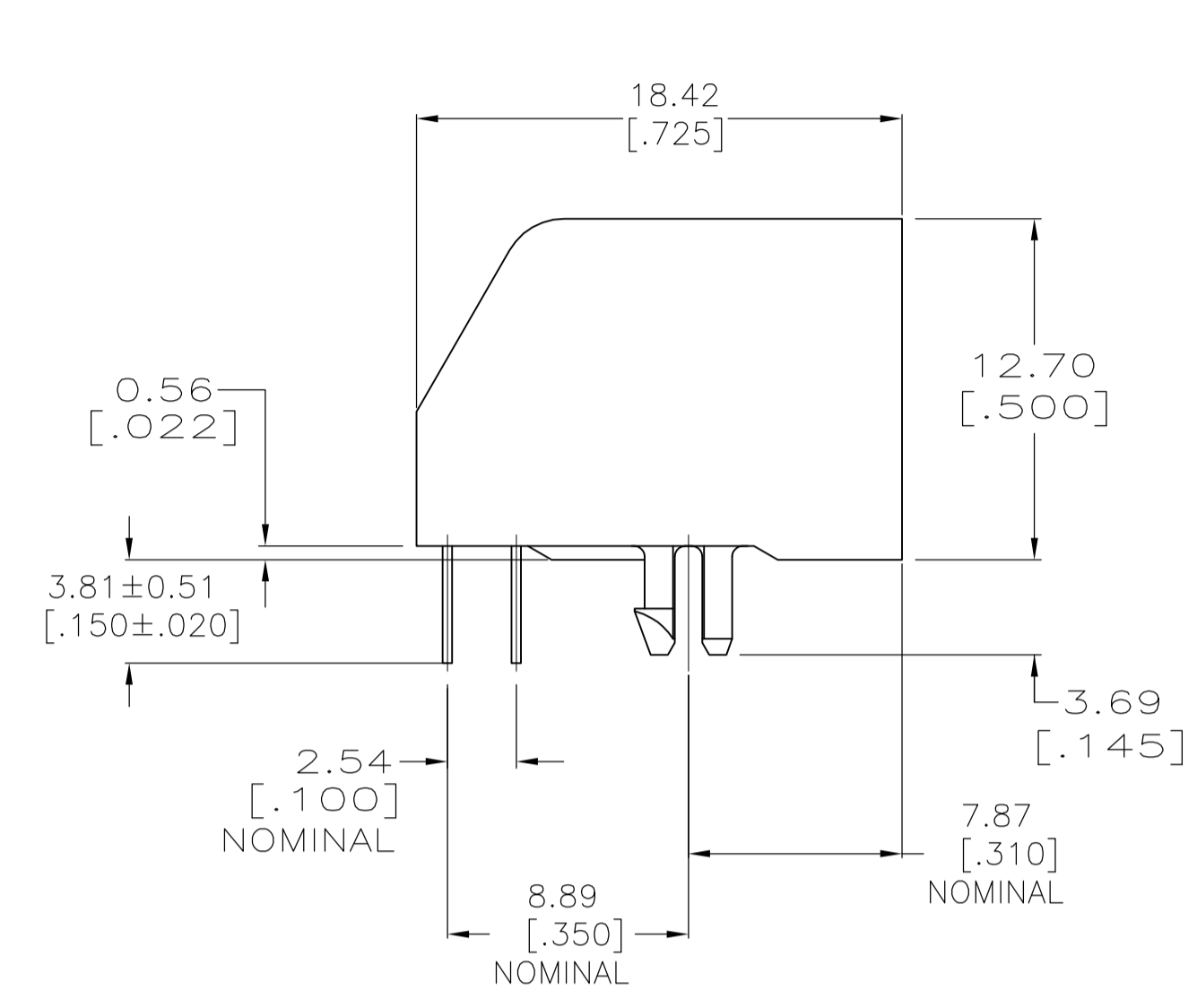


LOC		DIST		REVISIONS			
AA	00	REV	DATE	BY	CHK	APPV	
B1	REVISED PER ECO-11-005140		28MAR11	RK	HMR		



RECOMMENDED PRINTED CIRCUIT BOARD LAYOUT
COMPONENT SIDE SHOWN

- MATERIAL:
HOUSING - PBT POLYESTER, COLOR: BLACK
TERMINAL - 0.36 [0.014] THICK PHOS BRONZE PLATED WITH 1.27μm [0.000050] MINIMUM THICK HARD GOLD IN LOCALIZED GOLD PLATE AREA AND 2.03μm [0.000080] MINIMUM THICK MATTE TIN IN SOLDER AREA OVER 1.27μm [0.000050] THICK NICKEL UNDERPLATE.
- CAVITY CONFORMS TO FCC RULES AND REGULATIONS PART 68, SUBPART F.
- DIMENSIONS ARE MAXIMUM UNLESS OTHERWISE SPECIFIED.
- BULK PACKAGED IN A TRAY.
- 37 ASSEMBLIES PACKAGED PER TUBE

8	5555164-4
8	5555164-1
PACKAGED	TERMINALS REQUIRED
	PART NUMBER

THIS DRAWING IS A CONTROLLED DOCUMENT.

DIMENSIONS: mm [INCHES]	TOLERANCES UNLESS OTHERWISE SPECIFIED: 0 PLC ± - 1 PLC ± - 2 PLC ± 0.13[0.005] 3 PLC ± - 4 PLC ± - ANGLES ± -	DIM: G. ATTADIA - DOCKS CHK: J. WESTMAN APPV: S. FLICKINGER DATE: 08/JUN/2005 NAME: S. FLICKINGER PRODUCT SPEC: 108-1163 APPLICATION SPEC: 114-2048 WEIGHT: - CUSTOMER DRAWING: -	DIN: G. ATTADIA - DOCKS CHK: J. WESTMAN APPV: S. FLICKINGER DATE: 08/JUN/2005 NAME: S. FLICKINGER PRODUCT SPEC: 108-1163 APPLICATION SPEC: 114-2048 WEIGHT: - CUSTOMER DRAWING: -	SIZE: A1 SCALE: 4:1 SHEET: 1 OF 1 REV: B1
----------------------------	---	---	---	--

STE TE Connectivity
MODULAR JACK ASSEMBLY, 8 POSITION, LOW PROFILE, RIGHT ANGLE, WITHOUT PANEL STOPS