



# TAI-SAW TECHNOLOGY CO., LTD.

No. 3, Industrial 2nd Rd., Ping-Chen Industrial District,  
Taoyuan, 324, Taiwan, R.O.C.

TEL: 886-3-4690038 FAX: 886-3-4697532

E-mail: [tstsales@mail.taisaw.com](mailto:tstsales@mail.taisaw.com) Web: [www.taisaw.com](http://www.taisaw.com)

## Product Specifications Approval Sheet

Product Description: 70MHz 3.0MHzBW SMD 13.3mm x 6.5 mm SAW IF Filter

TST Parts No.: TB1323A

Customer Parts No.: \_\_\_\_\_

Customer signature required
Company: _____
Division: _____
Approved by : _____
Date: _____

Checked by: \_\_\_\_\_ Kazuma Lee *Kazuma Lee*

Approval by: \_\_\_\_\_ Andy Yu *Andy Yu*

Date: \_\_\_\_\_ 04 / 11 / 2019

1. Customer signed back is required before TST can proceed with sample build and receive orders.
2. Orders received without customer signed back will be regarded as agreement on the specifications.
3. Any specifications changes must be approved upon by both parties and a new revision of specifications shall be released to reflect the changes.



# TAI-SAW TECHNOLOGY CO., LTD.

No.3, Industrial 2nd Rd., Ping-Chen Industrial District, Taoyuan, Taiwan, R.O.C.

TEL: 886-3-4690038 FAX: 886-3-4697532

E-mail: [tstsales3@mail.taisaw.com](mailto:tstsales3@mail.taisaw.com) Web: [www.taisaw.com](http://www.taisaw.com)

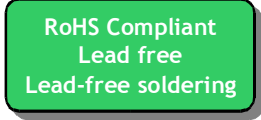
SAW Filter 70MHz 3MHz BW (SMD 13.3x6.5 mm)

MODEL NO.: TB1323A

REV. NO.1

## A. MAXIMUM RATING:

1. Operating temperature range: -40°C to 85°C
2. Storage temperature range: -40°C to 85°C
3. Input Power Level : 10 dBm
4. Maximum DC Voltage : 10V
5. Moisture Sensitivity Level: Level 1(MSL1)



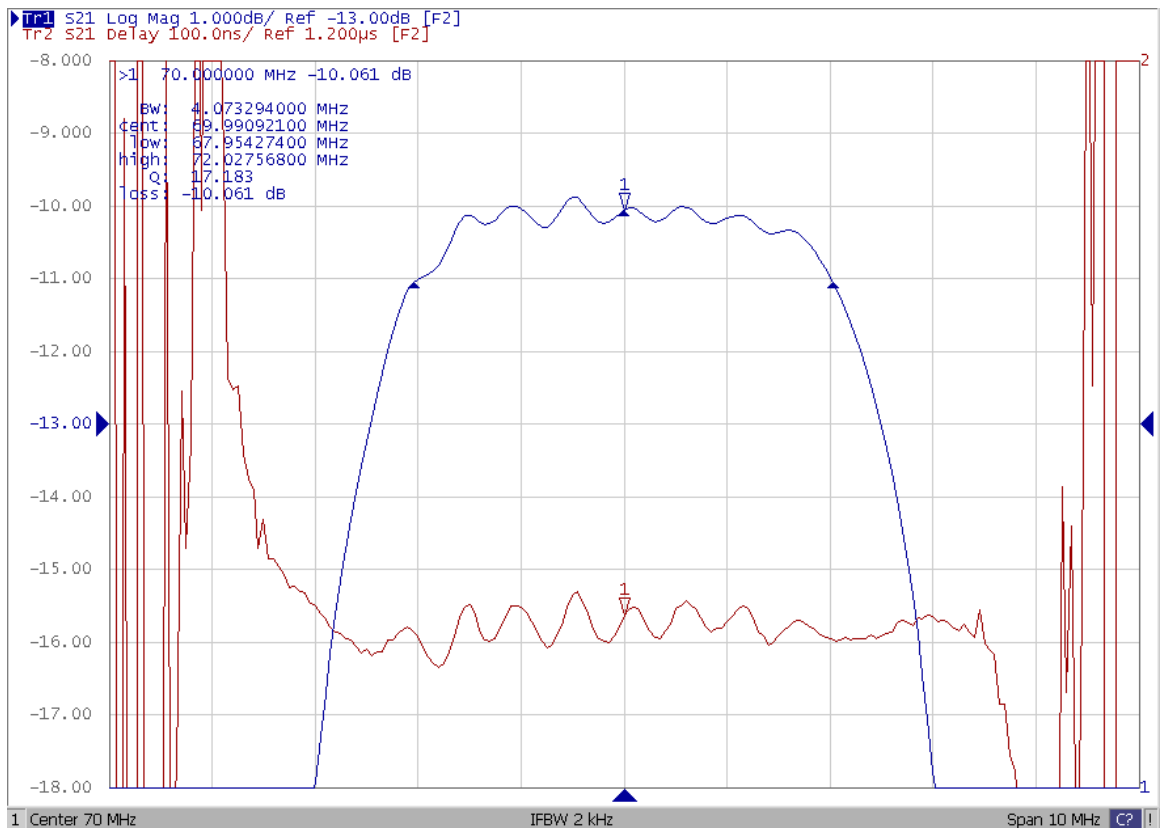
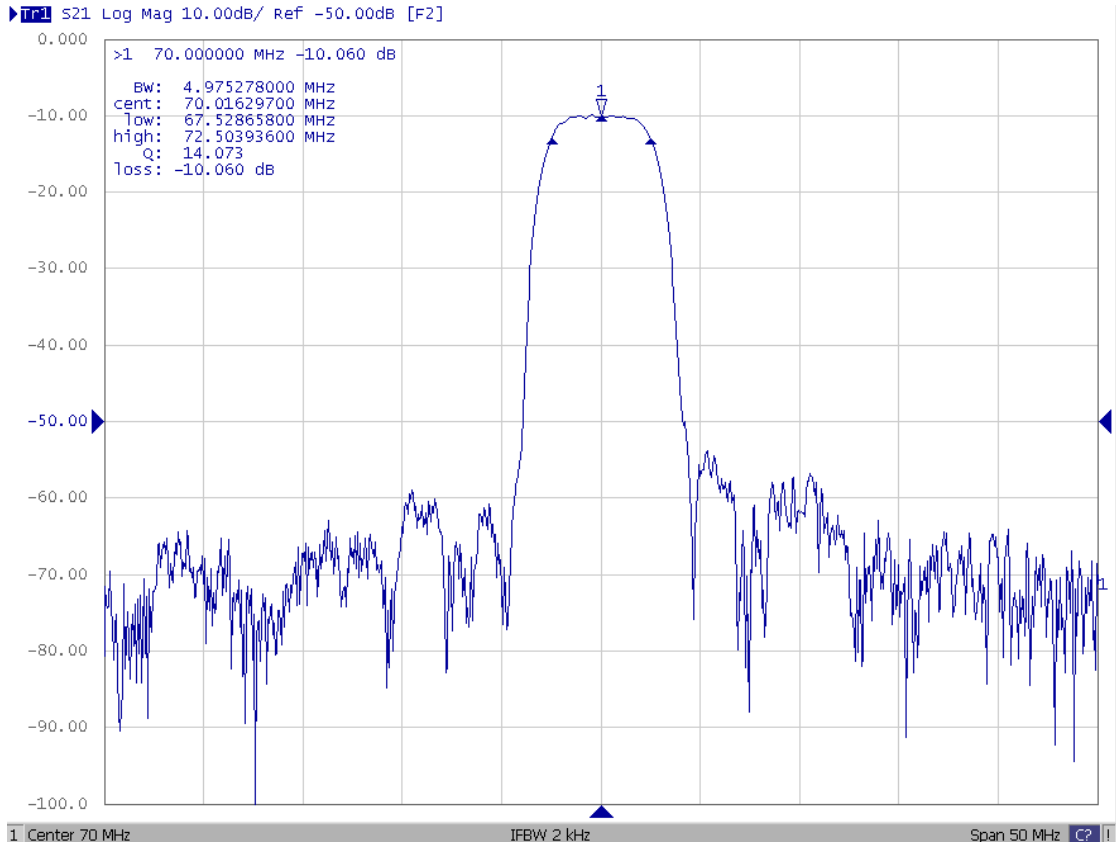
Electrostatic Sensitive Device

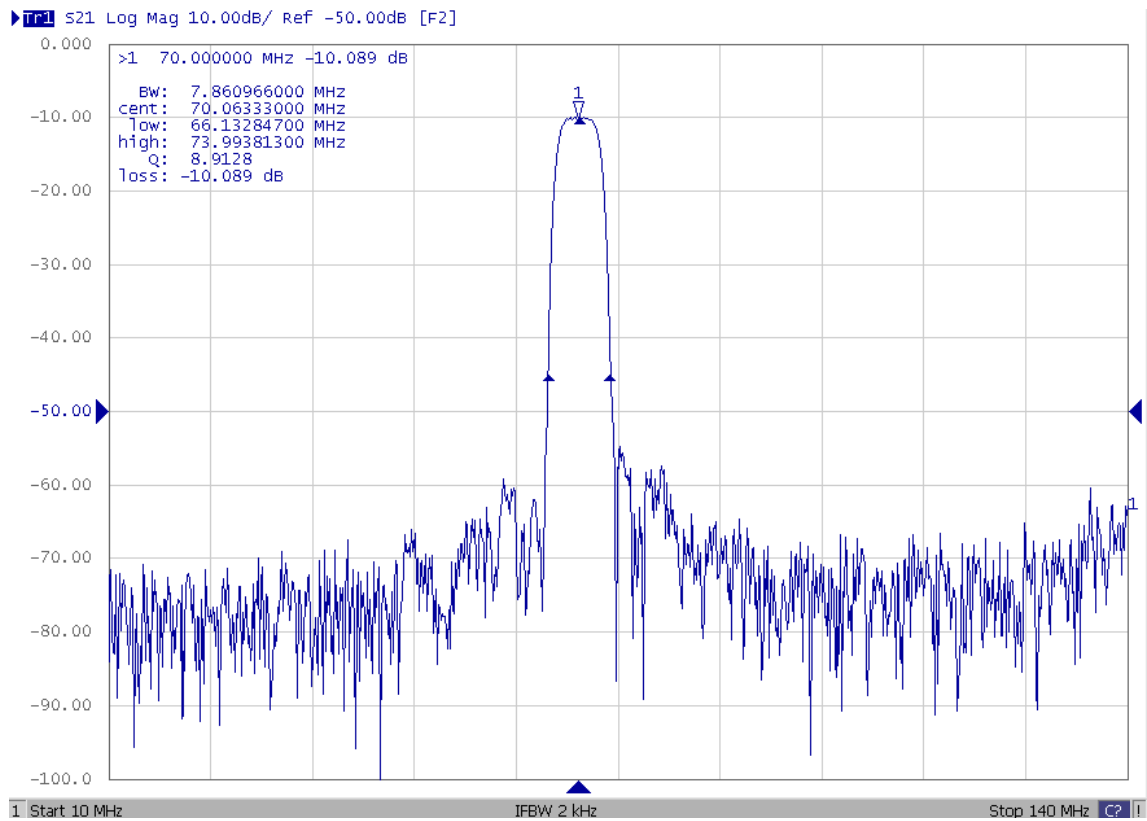
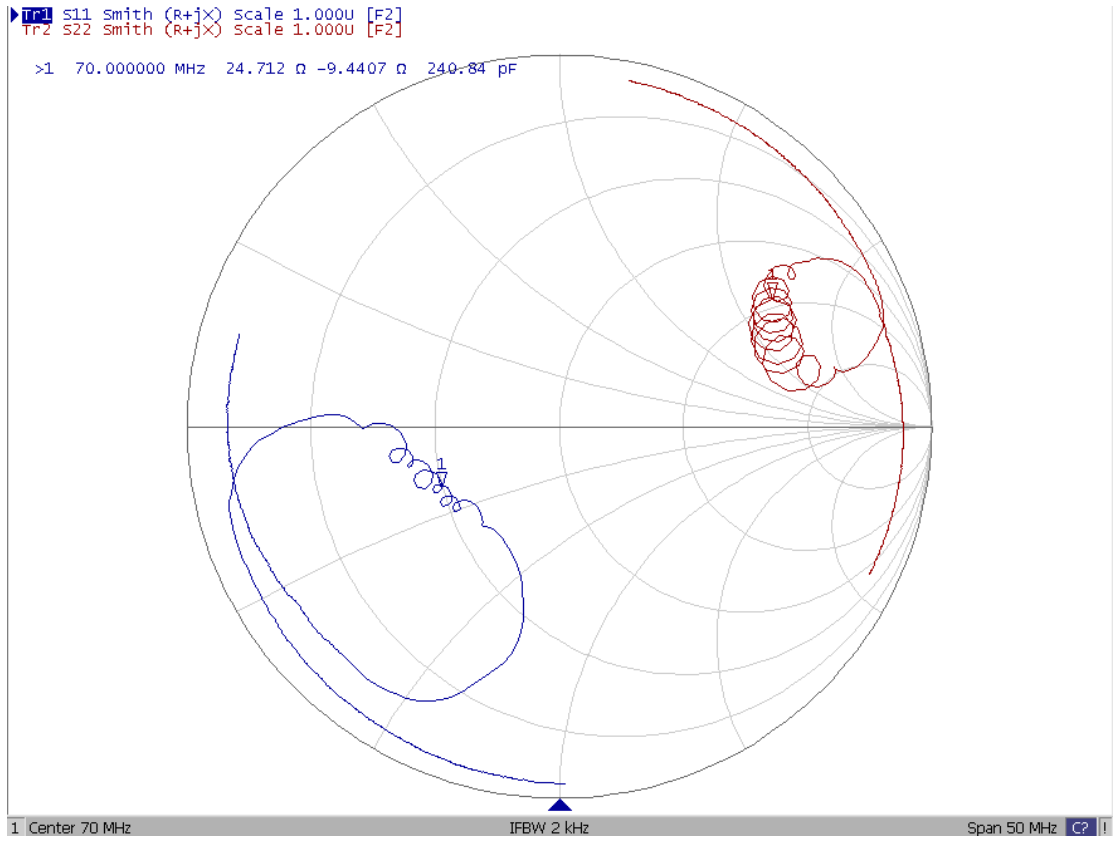
## B. ELECTRICAL CHARACTERISTICS:

Ambient Temperature: 25°C

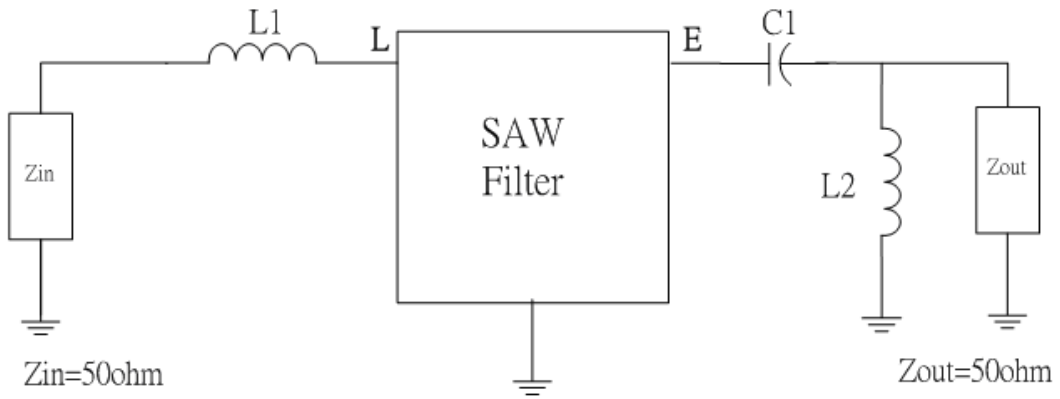
Item	Unit	Min.	Type.	Max.
Center frequency, <b>Fc</b>	MHz	-	70	-
Insertion Loss, <b>ILmax</b>	dB	-	9.8	11.5
1dB bandwidth	MHz	2.3	3.8	-
3dB bandwidth	MHz	3.0	4.9	-
35dB bandwidth	MHz	-	7.8	8.0
Pass Band Ripple Fc+/-0.92MHz	dB		0.4	1.0
Group Delay ripple within Fc ± 1.2 MHz	nsec		90	190
Absolute Delay	µsec	-	0.92	-
Attenuation:(Reference level from Min IL)				
10MHz ~ 62MHz	dB	40	49	-
78MHz ~ 140MHz	dB	40	48	-
Temperature Coefficient	ppm/°C	-	-94	-
Source Impedance	Ohm	-	50	-
Load Impedance	Ohm	-	50	-

### C. FREQUENCY CHARACTERISTICS:



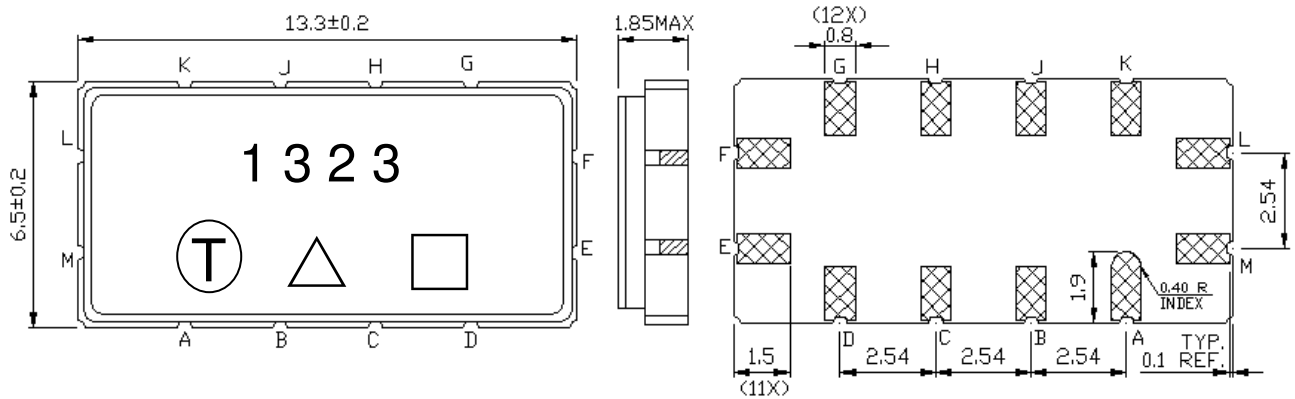


**D. MATCHING CIRCUIT:**



**L1=56nH L2=150nH C1=82pF**

**E. OUTLINE DRAWING:**



#L: Input

#E: Output

Others: Ground

□: Week Code

Unit: mm

△: Product / Year Code: Two-year cycle

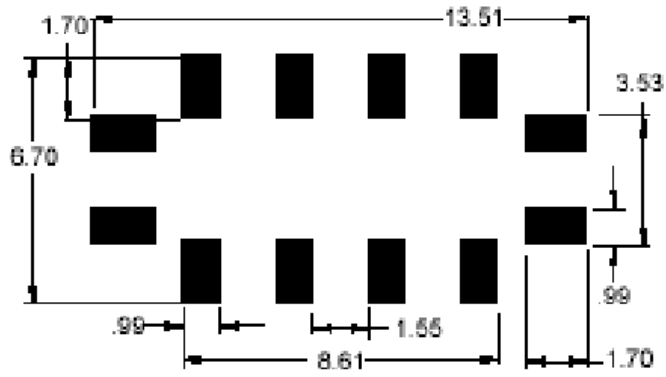
Product / Year Code - 4year cycle

Year	2017 2021	2018 2022	2019 2023	2020 2024
Product Code	B	b	<u>B</u>	<u>b</u>

Week Code Table

WK01	WK02	WK03	WK04	WK05	WK06	WK07	WK08	WK09	WK10	WK11	WK12	WK13
A	B	C	D	E	F	G	H	I	J	K	L	M
WK14	WK15	WK16	WK17	WK18	WK19	WK20	WK21	WK22	WK23	WK24	WK25	WK26
N	O	P	Q	R	S	T	U	V	W	X	Y	Z
WK27	WK28	WK29	WK30	WK31	WK32	WK33	WK34	WK35	WK36	WK37	WK38	WK39
a	b	c	d	e	f	g	h	i	j	k	l	m
WK40	WK41	WK42	WK43	WK44	WK45	WK46	WK47	WK48	WK49	WK50	WK51	WK52
n	o	p	q	r	s	t	u	v	w	x	y	z

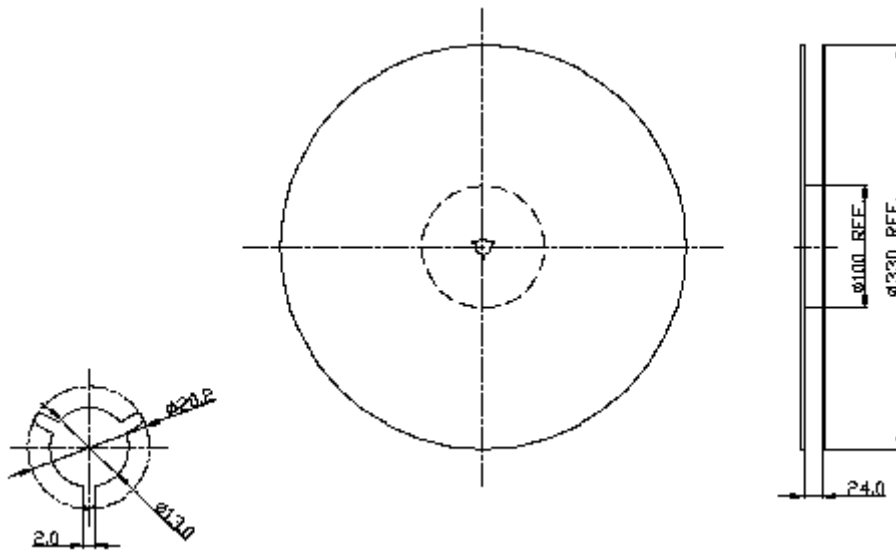
**F. PCB FOOTPRINT:**



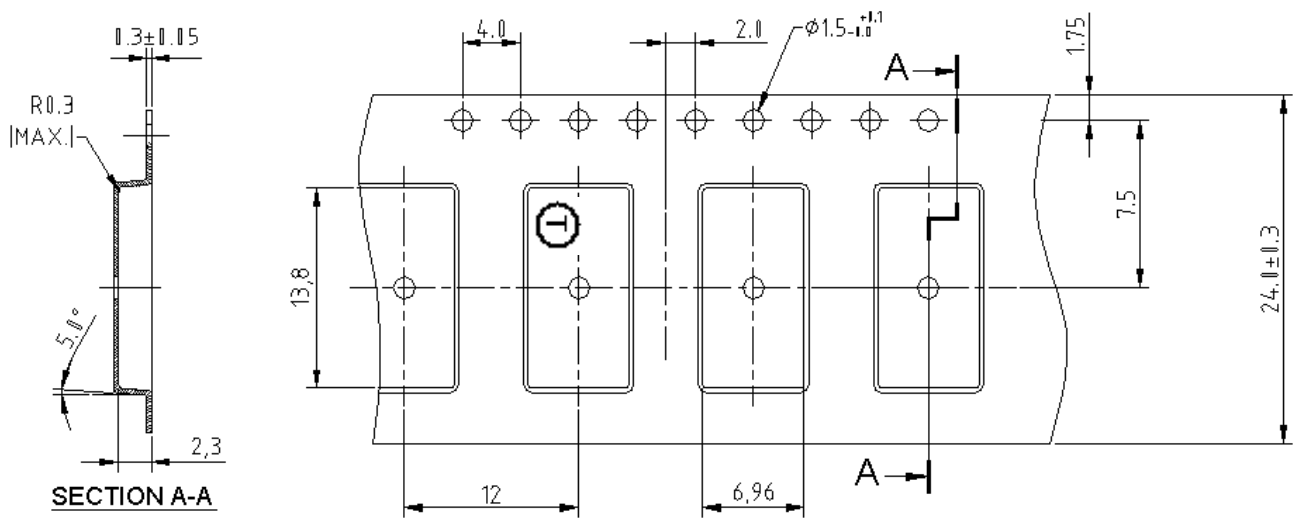
**G. PACKING:**

1. REEL DIMENSION

(Please refer to FR-75D10 for packing quantity)



## 2. TAPE DIMENSION



### H. RECOMMENDED REFLOW PROFILE:

1. Preheating shall be fixed at 150~180°C for 60~90 seconds.
2. Ascending time to preheating temperature 150°C shall be 30 seconds min.
3. Heating shall be fixed at 220°C for 50~80 seconds and at 260°C +0/-5°C peak (20~40sec).
4. Time: 2 times.

