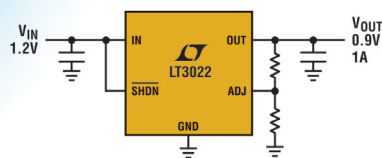
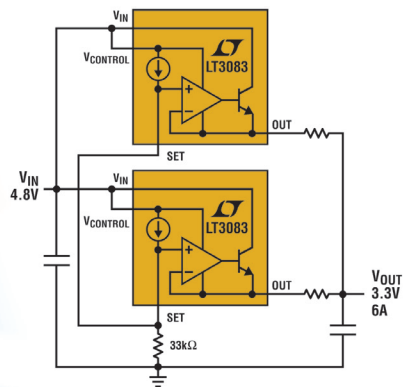


Not Your Dad's LDO



Selected LDOs

Product Category	Part Number	Output Current (A)	V _{IN} Range (V)	Output Voltage (V)
Current Reference-Based NPN Positive LDOs	LT [®] 3082	0.2	1.2 to 40	Adj (0 to 38.5)
	LT3085	0.5	1.2 to 36	Adj (0 to 35.5)
	LT3080	1.1	1.2 to 36	Adj (0 to 35.5)
	LT3083	3	1.2 to 23	Adj (0 to 22.5)
Positive LDOs	LT3008	0.02	2 to 45	Adj (0.6 to 44.5), Fixed
	LT3050	0.1	2 to 45	Adj (0.6 to 44.5), Fixed
	LT3013	0.25	4 to 80	Adj (1.24 to 60)
	LT3022	1.0	0.95 to 10	Adj (0.2 to 9.5), Fixed
	LT3070	5	0.95 to 3	Adj (0.8 to 1.8)
Dual Positive LDOs	LT3029	0.5 x 2	1.9 to 20	Adj (1.215 to 19.5)
Dual Positive and Negative LDOs	LT3032	0.15 x 2	±1.9 to ±20	Adj (±1.22 to ±19.5), ±5
Negative LDOs	LT3015	1.5	-1.9 to -30	Adj (-1.22 to -29.5), Fixed

Info & Free Samples

www.linear.com/products/LDOs

1-800-4-LINEAR



Free LDO
Solutions
Brochure

www.linear.com/ldosolutions

LT, LT, LTC, LTM, Linear Technology and the Linear logo are registered trademarks of Linear Technology Corporation. All other trademarks are the property of their respective owners.

