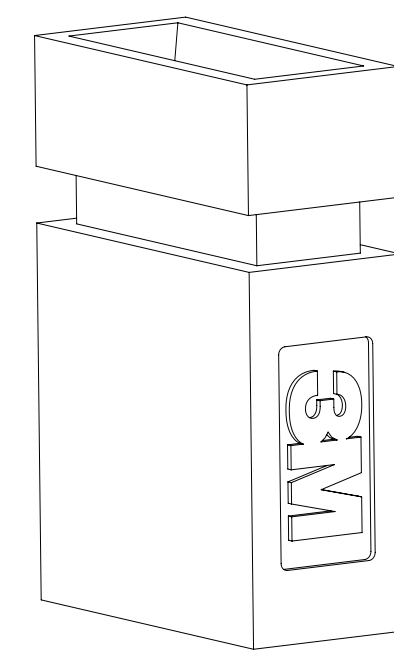
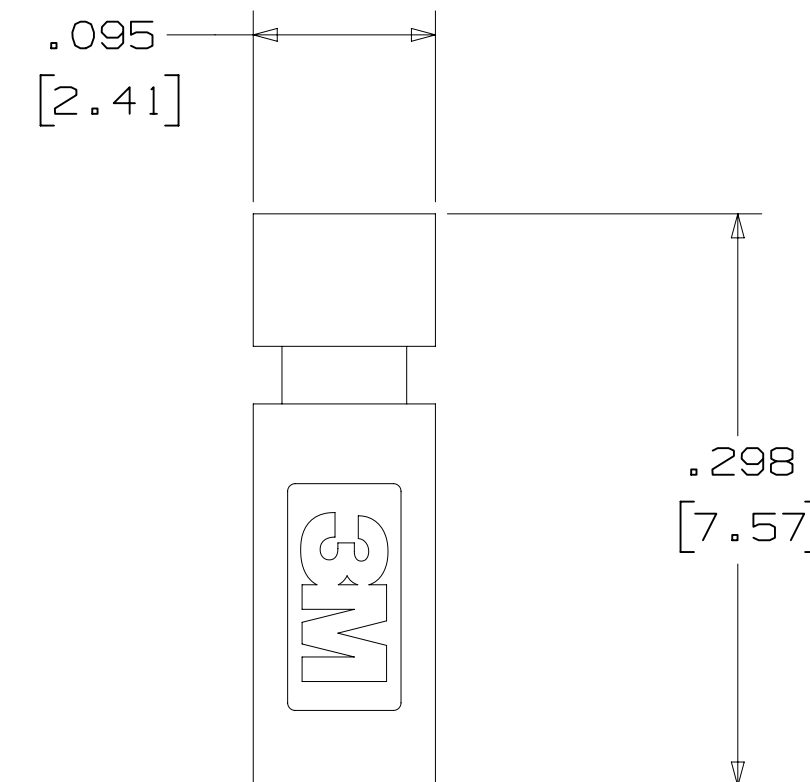
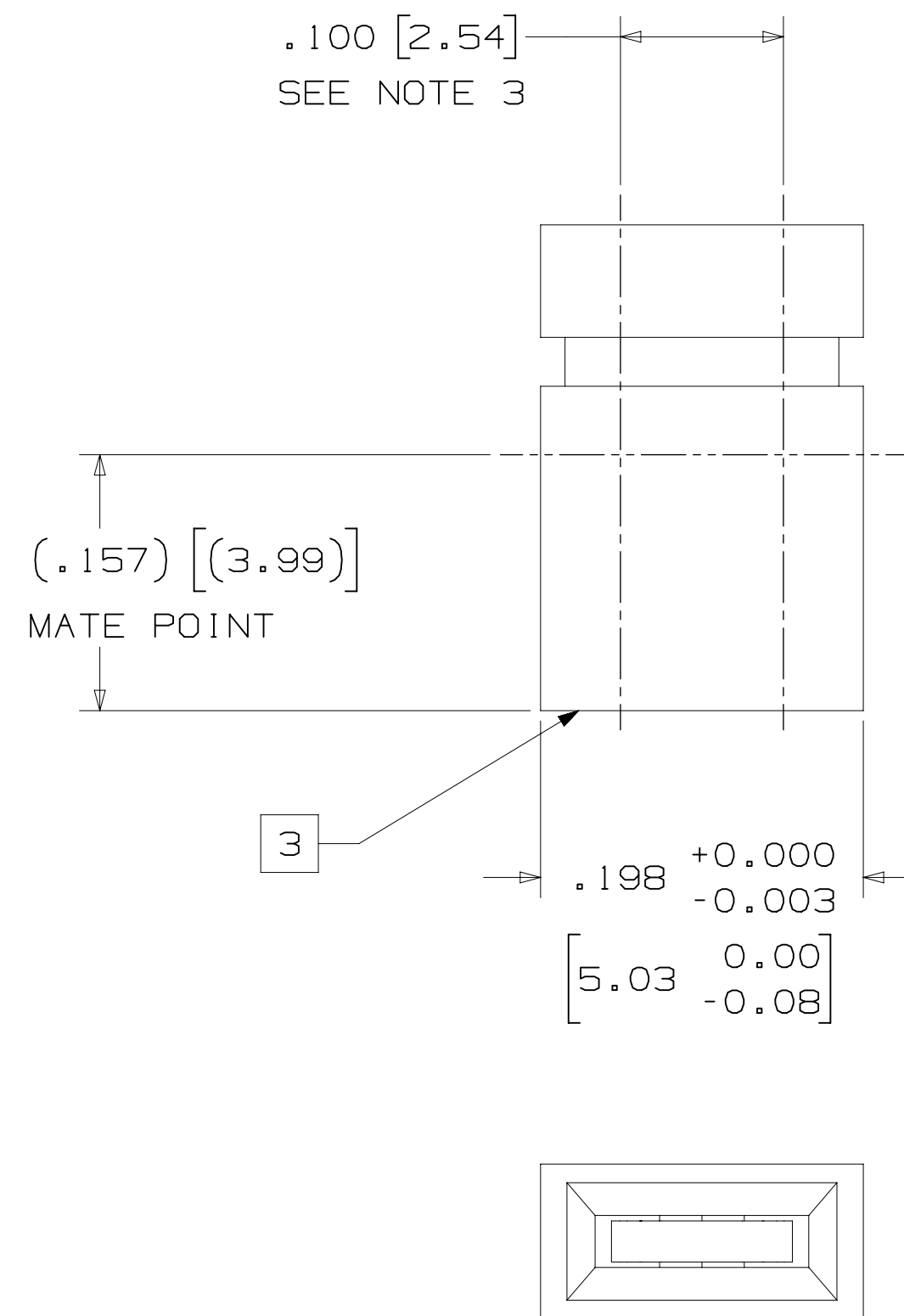


3M™ PAK 100 SHUNT, 929 SERIES
.100" MIDGIE



ORDERING INFORMATION
92995X-XX

- COLOR - PLATING OPTIONS:
 0-00 = BLACK - 100-200µ" MATTE TIN
 5-06 = BLUE - 10µ" AVG. GOLD
 7-08 = GRAY - 30µ" AVG. GOLD

2 PHYSICAL :

INSULATOR: GLASS REINFORCED (PBT)
 MATERIAL: UL94V-0
 FLAMMABILITY: BLACK, BLUE OR GRAY
 COLOR CODED: CONTACT: COPPER ALLOY
 MATERIAL: PLATING:
 UNDER PLATING: 50µ" (1.27µm) AVG. NICKEL-OVERALL
 WIPING AREA: SEE ORDERING INFORMATION
 MARKINGS: 3M LOGO

2 ELECTRICAL :

CURRENT RATING: 1A
 CONTACT RESISTANCE: ≤20 mΩ
 INSULATION RESISTANCE: ≥1000 MΩ AT 500 V_{DC}
 WITHSTANDING VOLTAGE: 1,500V_{RMS}, 1mA, 60s

2 MECHANICAL :

INSERTION FORCE: ≤7.84N
 EXTRACTION FORCE: ≥0.80N

2 ENVIRONMENTAL :

TEMPERATURE RATING: -55°C TO +100°C
 HUMIDITY: ≤93% AT 40°C

- NOTES
- REGULATORY INFORMATION: VISIT 3M.com/regs
 - IN THE EVENT OF CONFLICT BETWEEN THIS DATA AND THAT CONTAINED IN THE PRODUCT SPECIFICATION, THE PRODUCT SPECIFICATION TAKES PRECEDENT.
 - RECOMMENDED HEADER PIN ENTRY END. REFERENCE 3M LOGO AND BODY FEATURES TO ASSURE CORRECT INSTALLATION.
 - MATING PINS CENTERLINES.
 - REFERENCE PRODUCT DATA SHEET 929957-08.
 - RECOMMENDED MATING PINS ARE .025 (.64) ROUND OR SQUARE.
 - STACKABLE END-TO-END AND SIDE-TO-SIDE. UNIQUE C-SPRING CONTACT ASSURES BALANCED FORCES.

DIMENSIONS: INCHES [MM]
[MM] IS FOR REF. ONLY

3M ELECTRONICS MATERIALS SOLUTIONS DIVISION
 INTERCONNECT SOLUTIONS
<http://www.3M.com/interconnect>

3M IS A TRADEMARK OF 3M COMPANY.
 FOR TECHNICAL, SALES OR ORDERING
 INFORMATION CALL 800-225-5373

3M UL
 UL FILE NO: E68080

DESIGN REFERENCE	NEXT ASSEMBLY	REV	ECO	ISSUE DATE AND DESCRIPTION	DRFT	CHKD
				SEP 21, 2011		
				MAR 22, 2023		

REV	ECO	ISSUE DATE AND DESCRIPTION	DRFT	CHKD
C	109509	MAR 22, 2023 REVISED AND REDRAWN	JNC	FJR
B	36251	MAR 22, 2023 REVISED AND REDRAWN	JNC	SF
A	AT1683	APR 24, 2007 MIGRATED TO PLM, ADD ROHS	ARM	

DESIGNER	DATE	APPV	DATE
CASTIGLIONE	SEP 21, 2011		
F. RODRIGUEZ	MAR 22, 2023	S. FELDMAN	SEP 23, 2011

DO NOT SCALE DRAWING	SCALE	TOLERANCES EXCEPT AS NOTED
	10 / 1	

INCHES	MILLIMETERS
.01 ± .01	0 ±
.00 ± .005	.00 ±
.0000 ± .0002	.000 ±
	.00 ±
	.00 ±
	.00 ±

TITLE	CAGE NUMBER	SIZE	DRAWING NO.	REV.
PAK 100 SHUNT, 929 SERIES, .100" MIDGIE, 92995X-XX	D	78-5100-0200-5	C	

MODEL	DET	LISTS	YES	NO	SHT	1 OF 2
929						

78-5100-0200-5
DRAWING NUMBER

3M™ PAK 100 SHUNT, 929 SERIES
 .100" MIDGIE

Regulatory: For regulatory information about this product, visit 3M.com/regs or contact your 3M representative.

Technical Information: The technical information, guidance, and other statements contained in this document or otherwise provided by 3M are based upon records, tests, or experience that 3M believes to be reliable, but the accuracy, completeness, and representative nature of such information is not guaranteed. Such information is intended for people with knowledge and technical skills sufficient to assess and apply their own informed judgment to the information. No license under any 3M or third party intellectual property rights is granted or implied with this information.

Product Use: Many factors beyond 3M's control and uniquely within user's knowledge and control can affect the use and performance of a 3M product in a particular application. As a result, customer is solely responsible for evaluating the product and determining whether it is appropriate and suitable for customer's application, including conducting a workplace hazard assessment and reviewing all applicable regulations and standards (e.g., OSHA, ANSI, etc.). Failure to properly evaluate, select, and use a 3M product in accordance with all applicable instructions and with appropriate safety equipment, or to meet all applicable safety regulations, may result in injury, sickness, death, and/or harm to property.

Warranty, Limited Remedy, and Disclaimer: Unless a different warranty is specifically stated on the applicable 3M product packaging or product literature (in which case such warranty governs), 3M warrants that each 3M product meets the applicable 3M product specification at the time 3M ships the product. 3M MAKES NO OTHER WARRANTIES OR CONDITIONS, EXPRESS OR IMPLIED, INCLUDING, BUT NOT LIMITED TO, ANY IMPLIED WARRANTY OR CONDITION OF MERCHANTABILITY, FITNESS FOR A PARTICULAR PURPOSE, OR ANY IMPLIED WARRANTY OR CONDITION ARISING OUT OF A COURSE OF DEALING, CUSTOM, OR USAGE OF TRADE. If a 3M product does not conform to this warranty, then the sole and exclusive remedy is, at 3M's option, replacement or repair of the 3M product or refund of the purchase price.

Limitation of Liability: Except for the limited remedy stated above, and except to the extent prohibited by applicable law, 3M will not be liable for any loss or damage arising from or related to the 3M product, whether direct, indirect, special, incidental, or consequential (including, but not limited to, lost profits or business opportunity), regardless of the legal or equitable theory asserted, including, but not limited to, warranty, contract, negligence, or strict liability.

Disclaimer: For industrial use only. Not intended, labeled or packaged for consumer sale or use.

3M Company
 Electronics Materials Solutions Division
 13011 McCallen Pass, Bldg. C
 Austin, TX 78753-5380
 1-800-225-5373
www.3M.com/interconnect

3M ELECTRONICS MATERIALS SOLUTIONS DIVISION
 INTERCONNECT SOLUTIONS
<http://www.3M.com/interconnect>

3M IS A TRADEMARK OF 3M COMPANY.
 FOR TECHNICAL, SALES OR ORDERING
 INFORMATION CALL 800-225-5373

DESIGN REFERENCE	NEXT ASSEMBLY	REV	ECO	ISSUE DATE AND DESCRIPTION	DRFT	CHKD
REV	ECO	ISSUE DATE AND DESCRIPTION	DRFT	CHKD		
DRW	DATE	MFG	DATE			
CASTIGLIONE	SEP 21, 2011					
DRW	DATE	APPRV	DATE			
F. RODRIGUEZ	MAR 22, 2023	S. FELDMAN	SEP 23, 2011			
DIVISION	DIVISION CODE	© 3M COPYRIGHT 2023 This document and the information it contains are 3M property and may not be reproduced or further distributed without 3M permission, or used or disclosed other than for 3M authorized purposes. All rights reserved.				
	EMSD	3M Center St. Paul, MN 55144				
DO NOT SCALE DRAWING	SCALE 1/1	TOLERANCES EXCEPT AS NOTED INCHES: .0 ± .1 .00 ± .01 .000 ± .005 .0000 ± .0002 MILLIMETERS: 0 ± .0 ± .00 ± .000 ± .000 ±				
THIRD ANGLE PROJECTION		TITLE PAK 100 SHUNT, 929 SERIES, .100" MIDGIE, 92995X-XX				
INTERPRET PER ASME Y14.5 - 2018		CAGE NUMBER D 78-5100-0200-5 C				
MAX SURFACE ROUGHNESS SURFACES <input checked="" type="checkbox"/> MARKED ONLY		MODEL 929				
		DET: <input type="checkbox"/> YES <input checked="" type="checkbox"/> NO SHT 2 OF 2				

5-0020-001518 DRAWING NUMBER