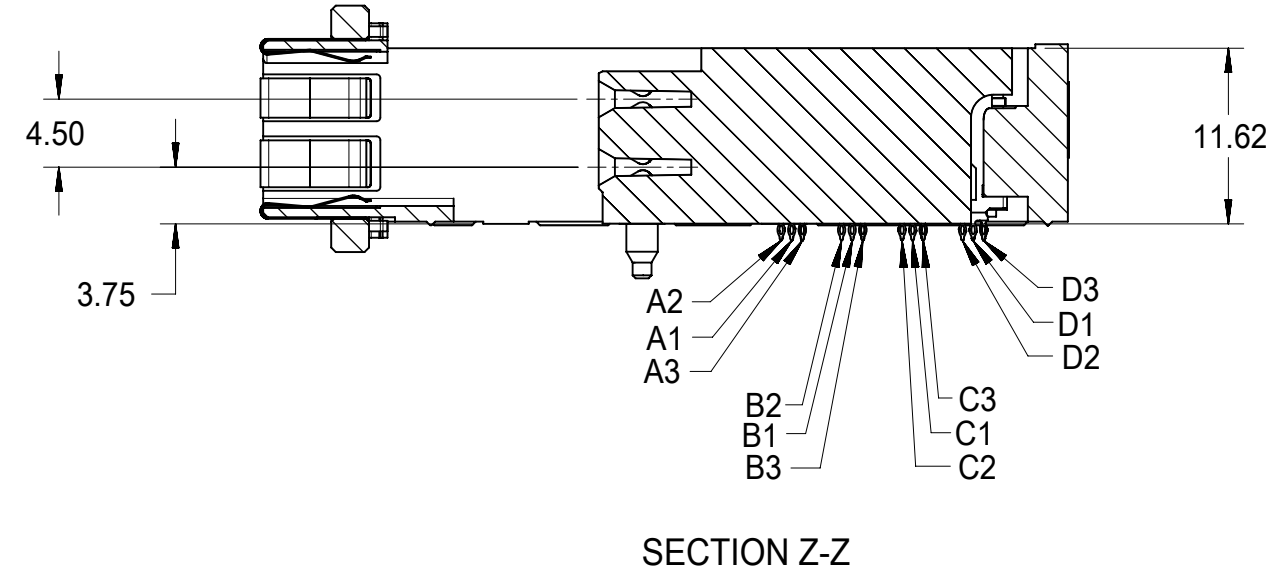
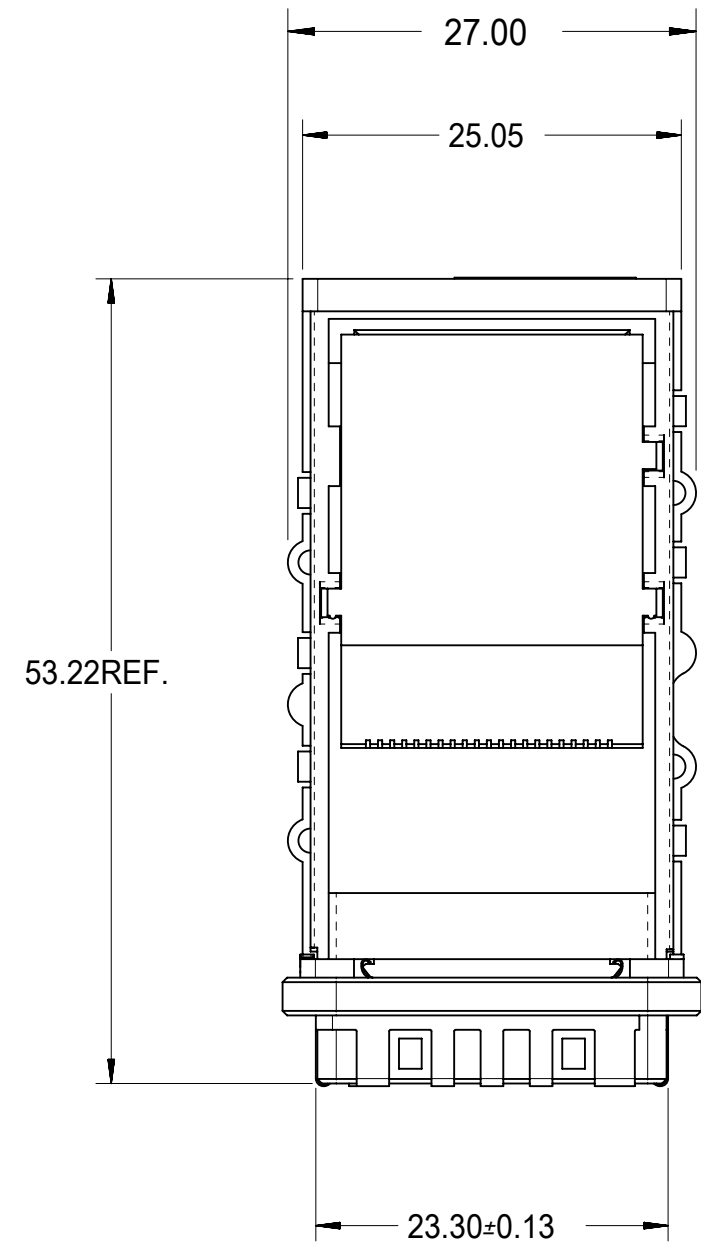
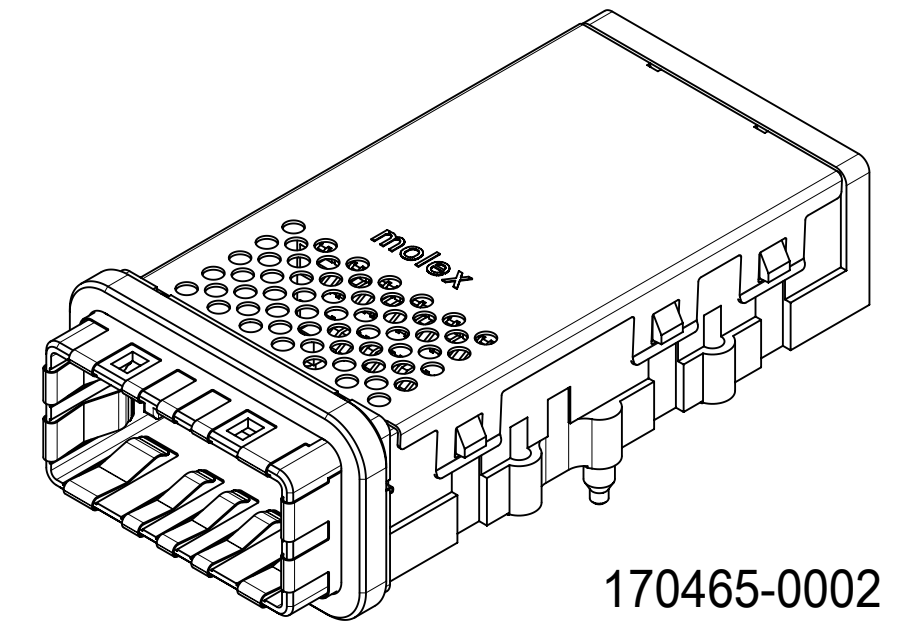
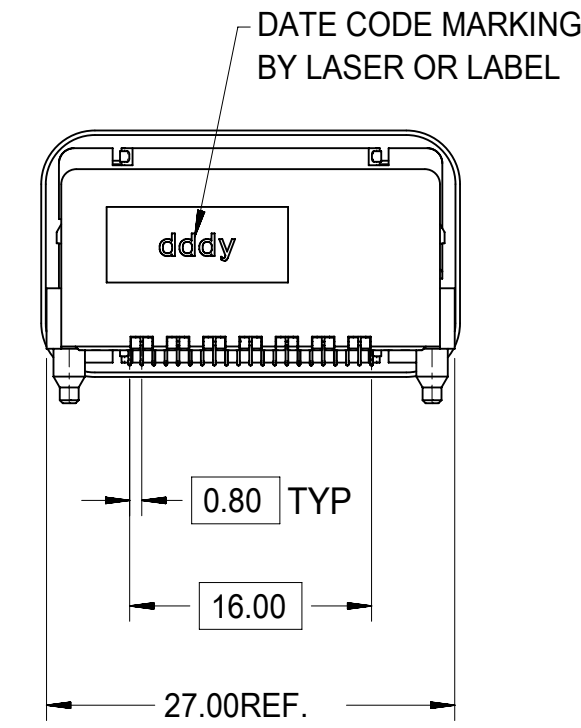
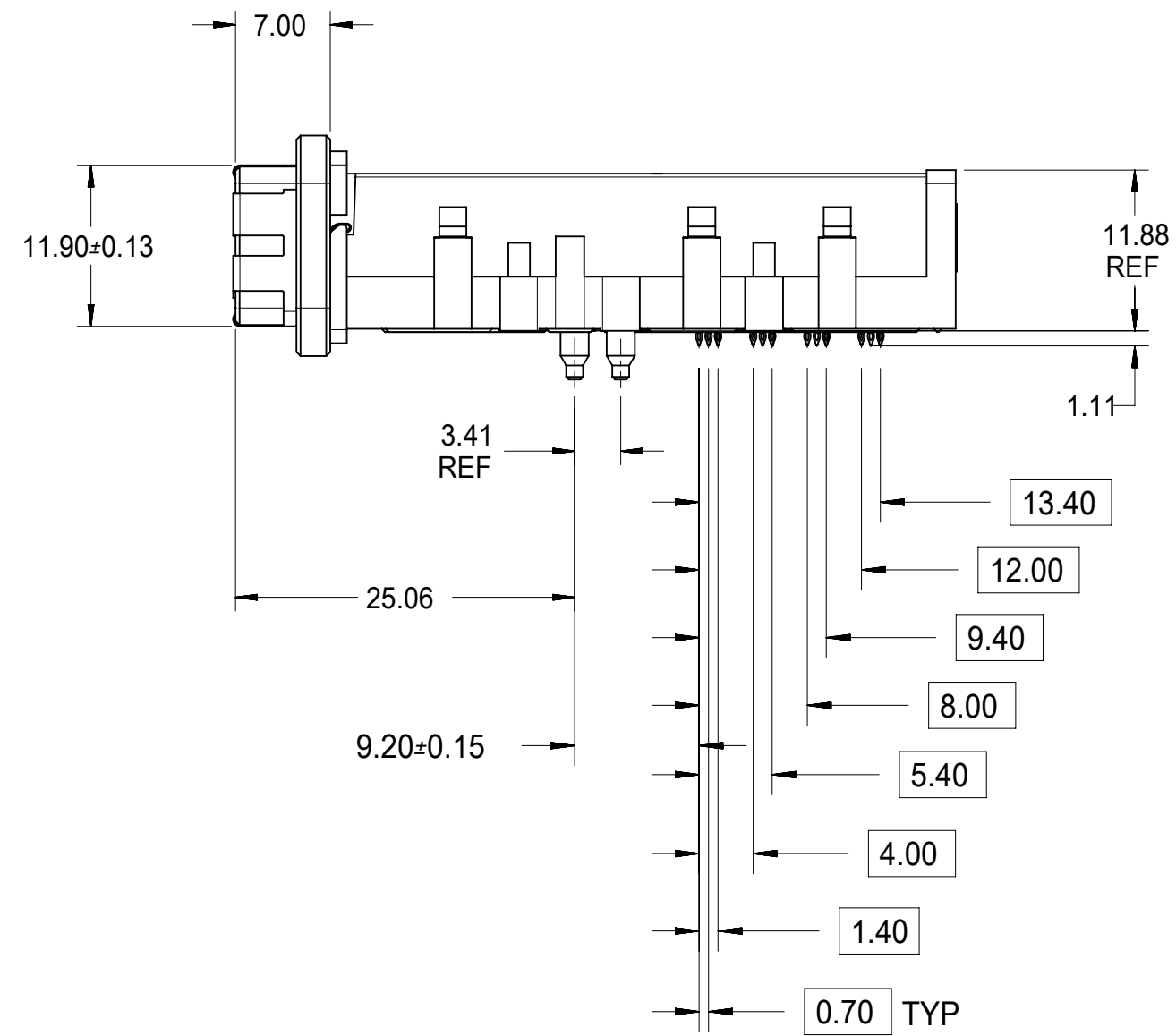
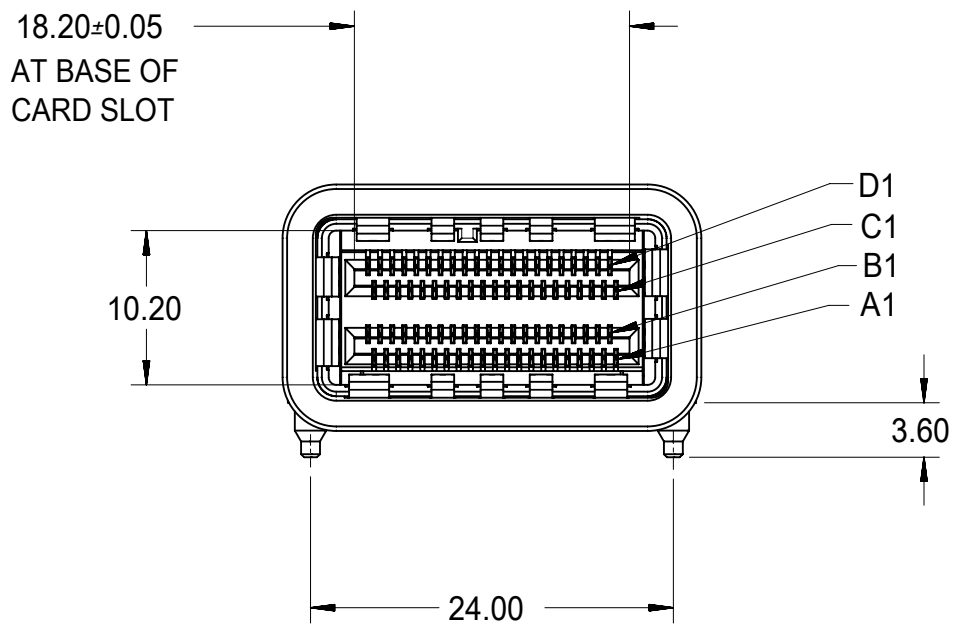


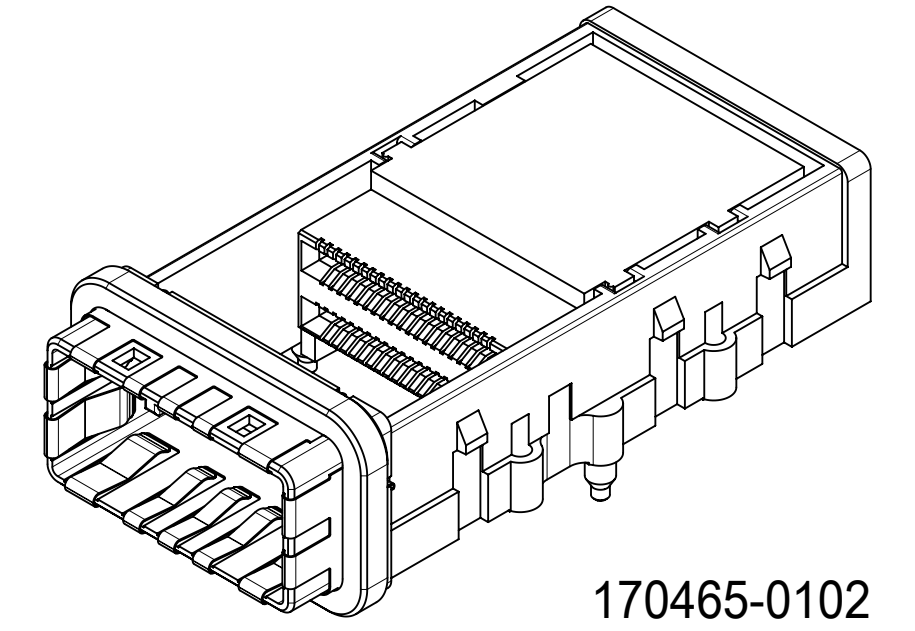
PART NUMBER	DESCRIPTION / OPTIONS	TOOLING STATUS
170465-0002	ASSEMBLY WITH COVER AND EMI GASKET	TOOLED
170465-0002	ASSEMBLY NO COVER AND EMI GASKET	TOOLED
170465-0003	ASSEMBLY WITH COVER AND EMI GASKET	TOOLED
170465-0003	ASSEMBLY NO COVER AND EMI GASKET	TOOLED



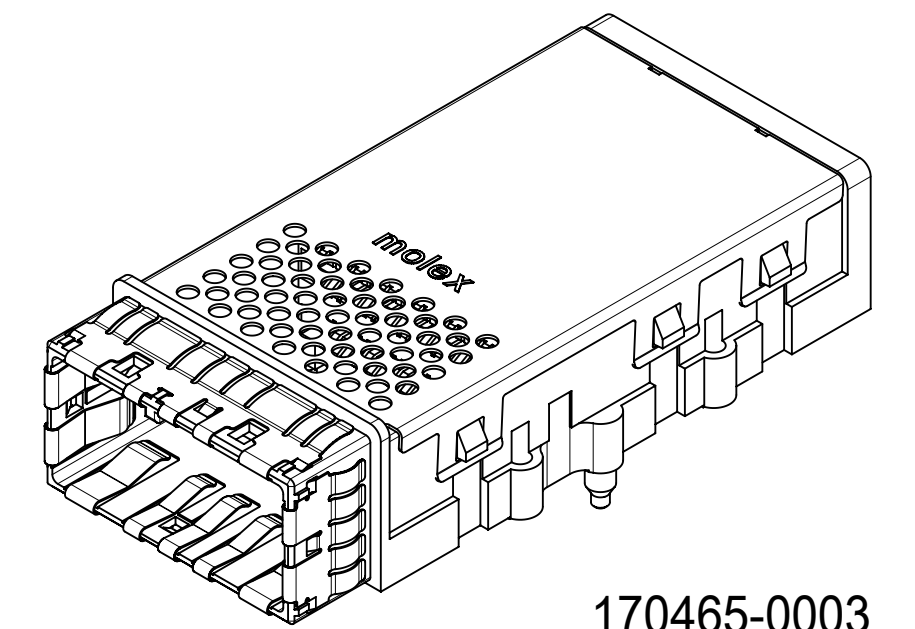
170465-0102
SHOWN



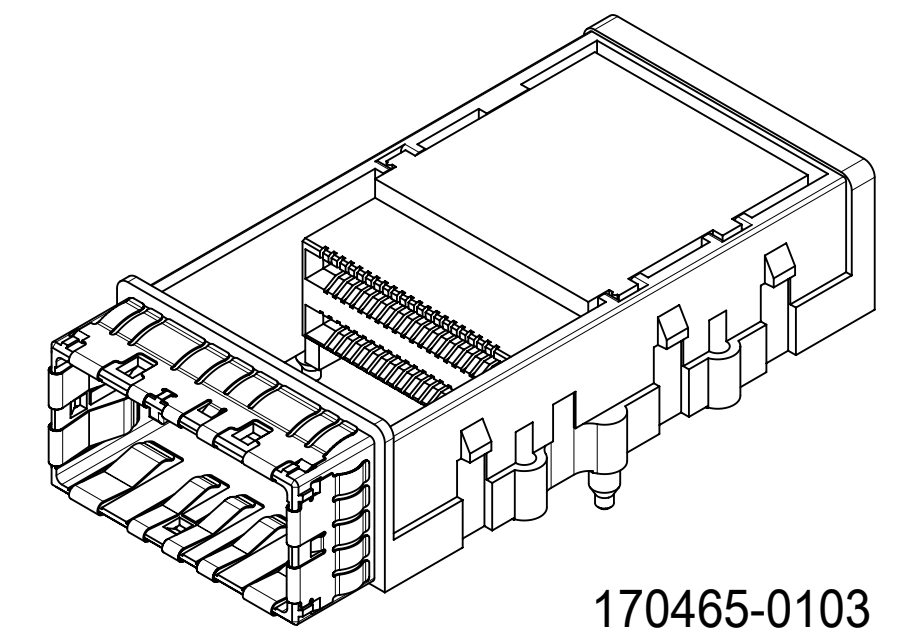
170465-0002



170465-0102



170465-0003

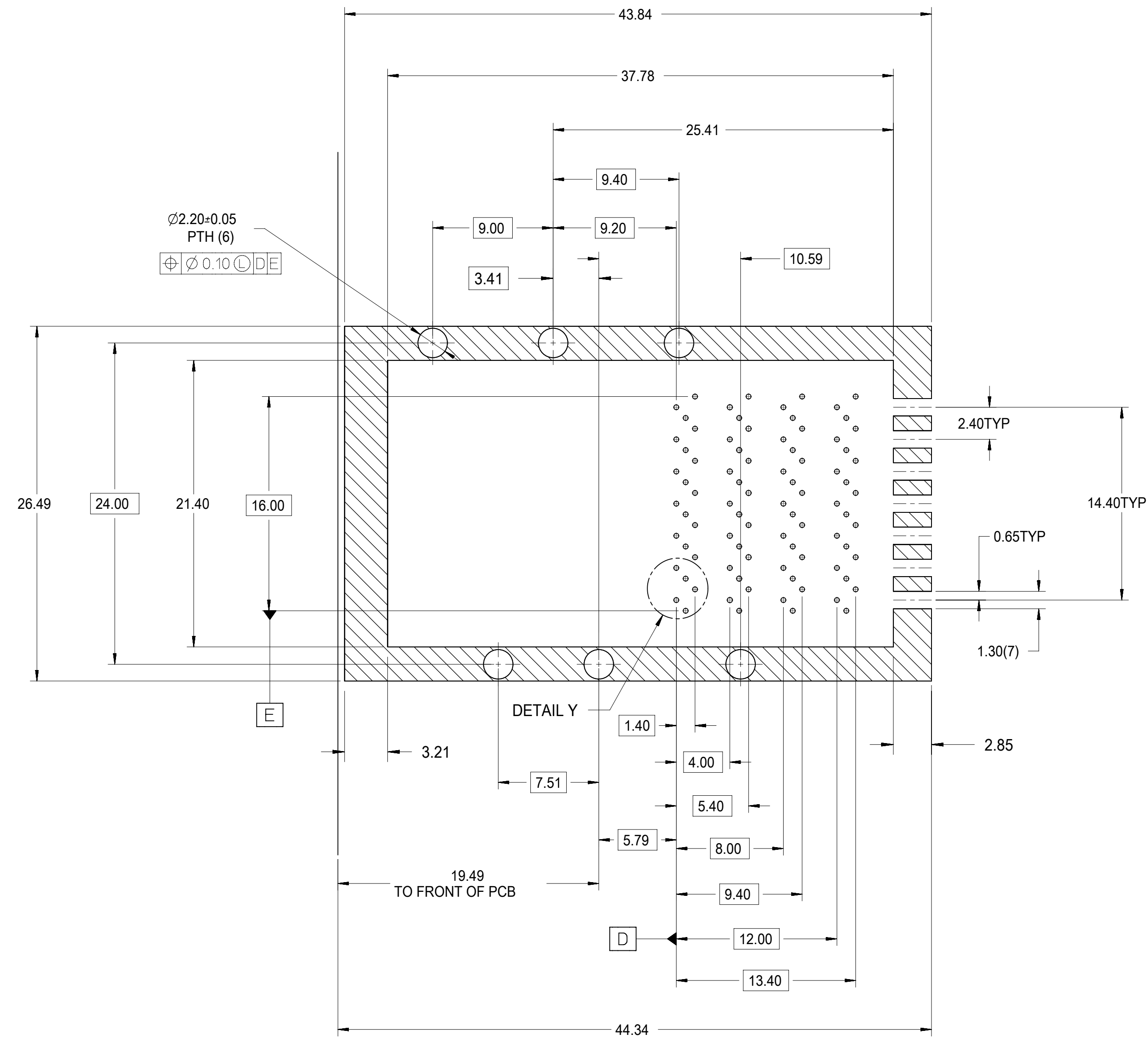


170465-0103

NOTES:

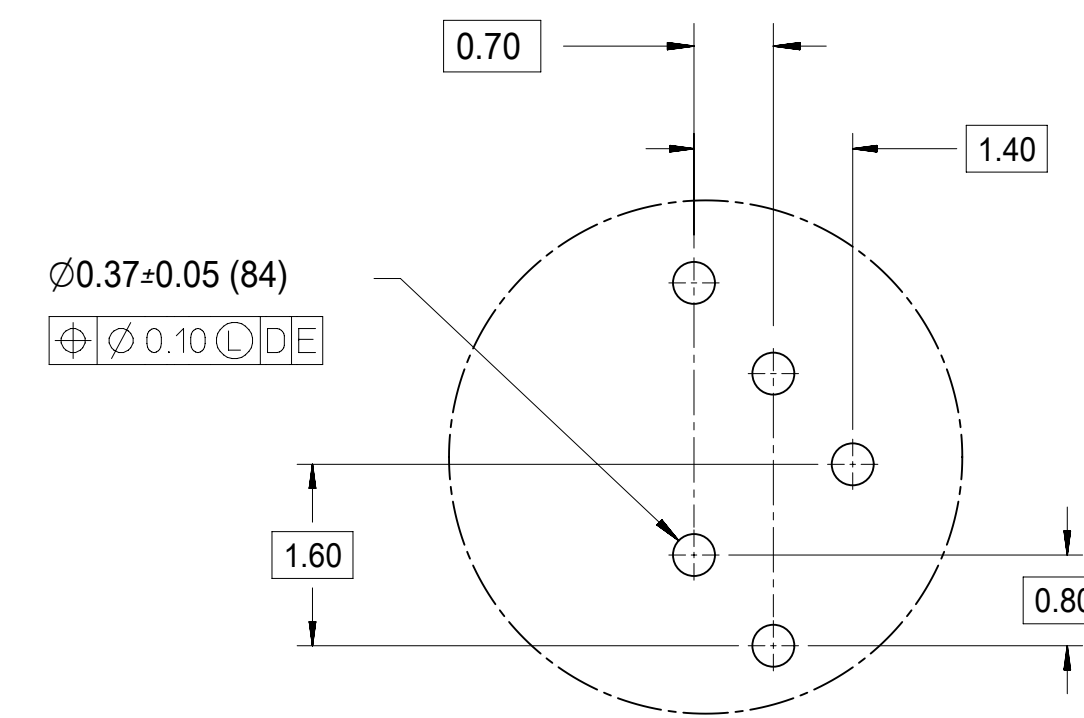
- MATERIALS:
CONNECTOR HOUSING: HIGH TEMPERATURE THERMOPLASTIC GLASS-FILLED, UL 94V-0
EMI HOUSING: NICKEL PLATED DIE CAST ALLOY
COVER: STAINLESS STEEL ALLOY
EMI GASKET: CONDUCTIVE POLYMER
EMI SPRINGS: COPPER ALLOY, TIN PLATED
TERMINALS: COPPER ALLOY
- TERMINAL PLATING:
CONTACT AREA: 0.76µm MIN. GOLD OVER 2.54µm MIN. NICKEL
TIN TAIL AREA: 0.76µm - 1.52µm TIN OVER 1.27µm MIN NICKEL
- THIS CONNECTOR IS DESIGNED TO MATE WITH MOLEX CABLE SERIES INDICATED IN THE MOLEX PRODUCT SPEC. PS-170465-0001.
- REFER TO ROUTING GUIDE AS-170465-0002 FOR PCB TRACE INFORMATION.
- PACKAGING SPECIFICATION: TRAY PACK PER PK-170465-0001.
- REFER TO AS-170465-0001 FOR THE APPLICATION SPECIFICATION.
- MOUNTING HARDWARE REQUIRED: M2x0.4 CAP SCREWS (4)
MOUNTING SCREW LENGTH: BOARD THICKNESS + 4mm MAX

QUALITY SYMBOLS	THIS DRAWING CONTAINS INFORMATION THAT IS PROPRIETARY TO MOLEX ELECTRONIC TECHNOLOGIES, LLC AND SHOULD NOT BE USED WITHOUT WRITTEN PERMISSION		DIMENSION UNITS		SCALE	molex®			
▽ = 0	EC NO: 171334 DRWN: JWALLACE01 CHKD: SMILLER REV APPR: SMILLER	2017/12/19 2018/01/25 2018/01/25	GENERAL TOLERANCES (UNLESS SPECIFIED)		mm	1:1	I-PASS PLUS CXP EF 84 CIRCUIT		
▽ = 0			ANGULAR TOL ± 0.5 °		DRWN BY	DATE			
▽ = 0			4 PLACES ±		GPRATT	2015/01/20			
▽ = 0			3 PLACES ±		CHKD BY	DATE			
▽ = 0	2 PLACES ± 0.25		MBANAKIS	2015/01/20	PRODUCT CUSTOMER DRAWING				
▽ = 0	1 PLACE ±		APPR BY	DATE					
▽ = 0	0 PLACES ±		MBANAKIS	2015/01/21	SERIES	MATERIAL NUMBER	CUSTOMER		
▽ = 0	DRAFT WHERE APPLICABLE MUST REMAIN WITHIN DIMENSIONS		DRAWING SIZE	THIRD ANGLE PROJECTION	170465	1704650001	GENERAL MARKET		
▽ = 0	J	6	D		DOCUMENT NUMBER	DOC TYPE	DOC PART	SHEET NUMBER	
					SD-170465-0001	PSD	001	1 OF 5	



RECOMMENDED PCB LAYOUT
COMPONENT SIDE SHOWN

PCB THICKNESS: 1.57mm MIN.

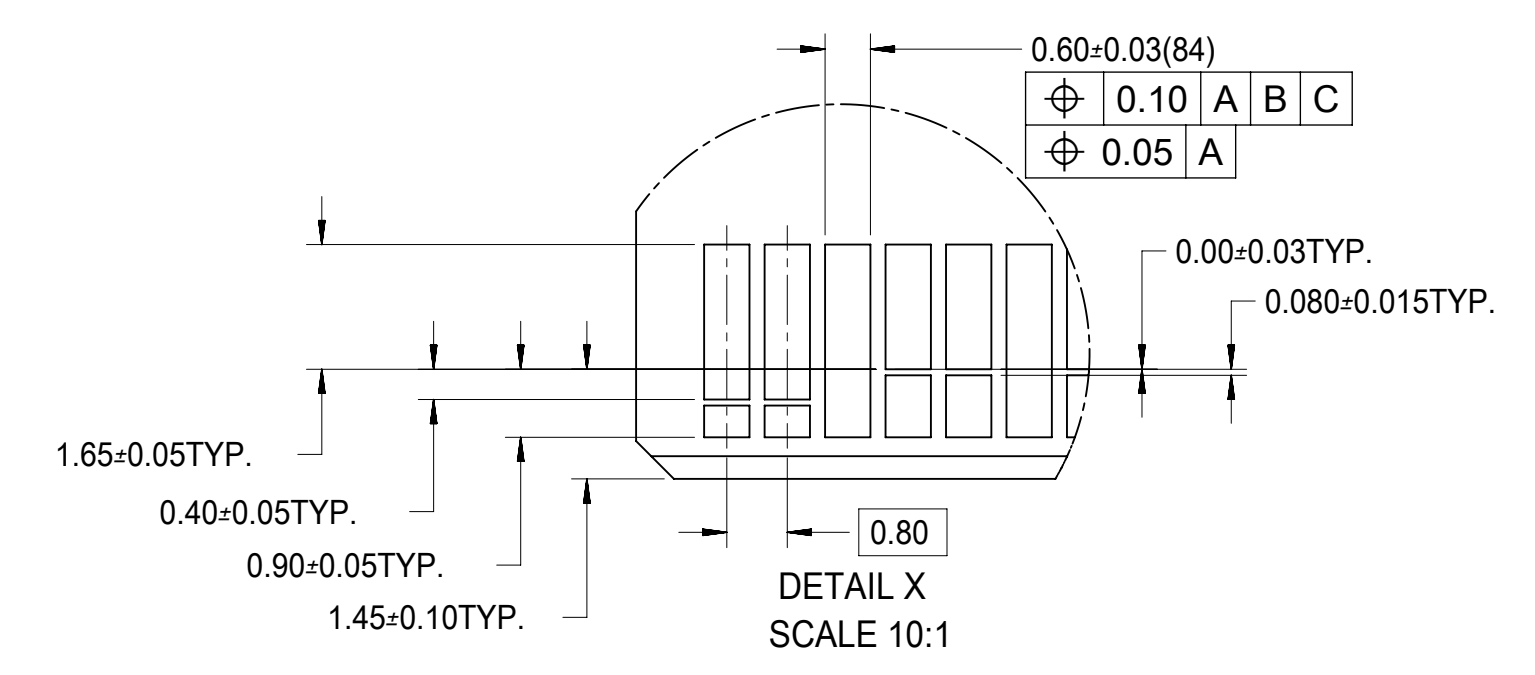
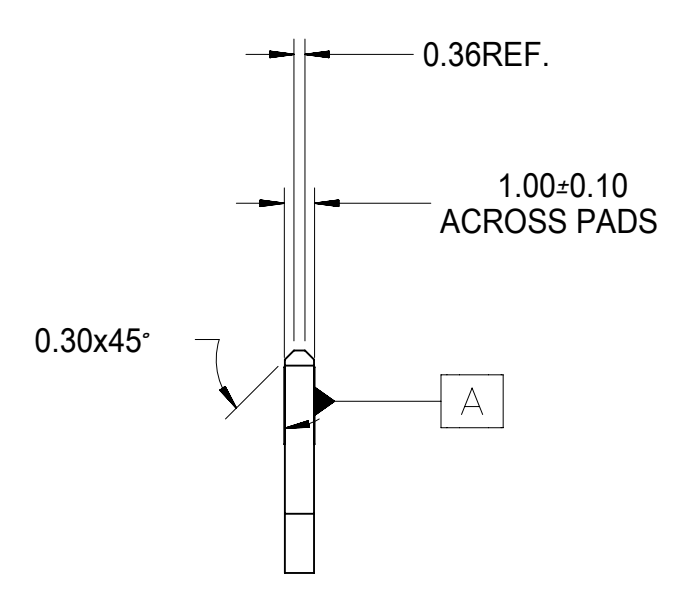
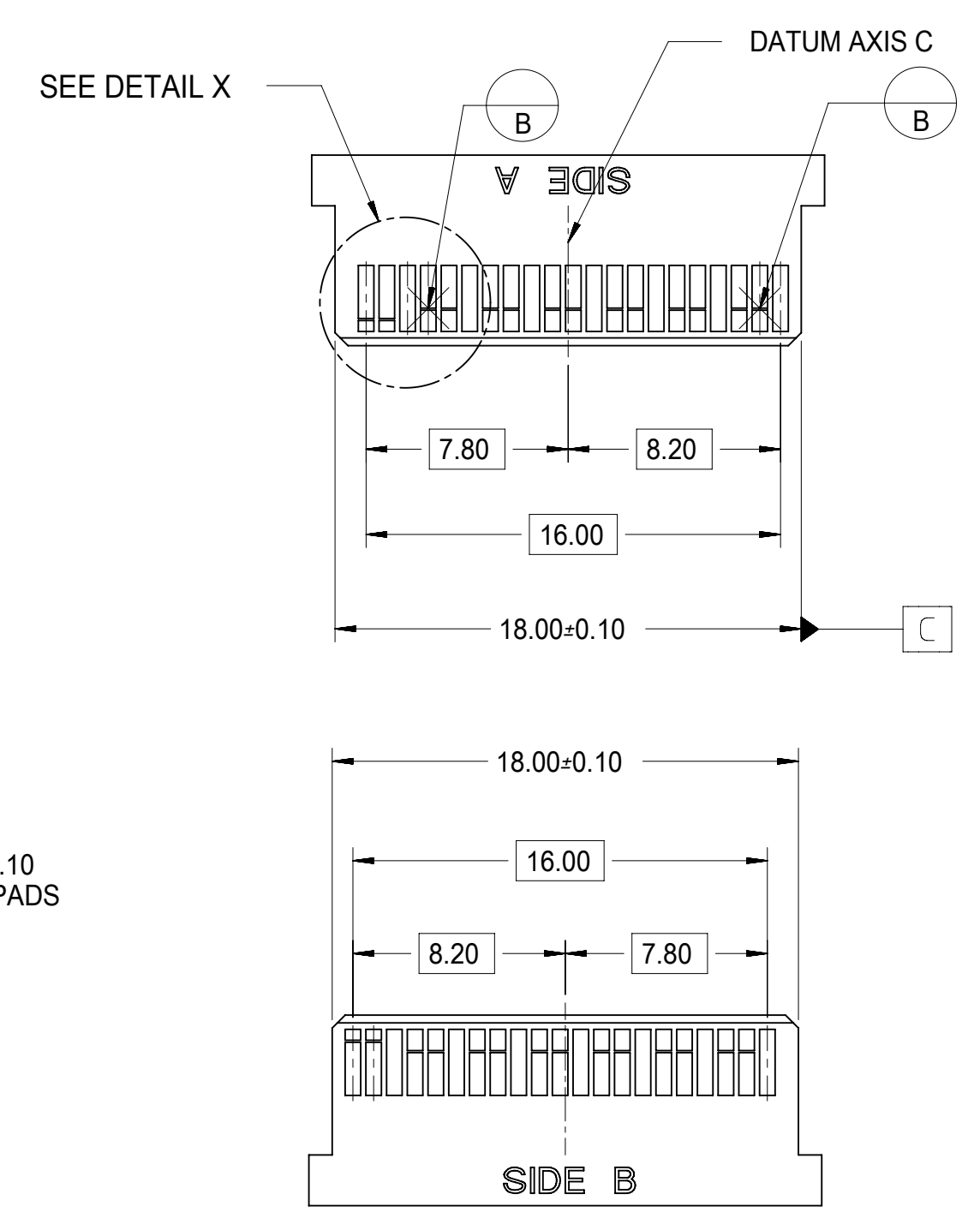
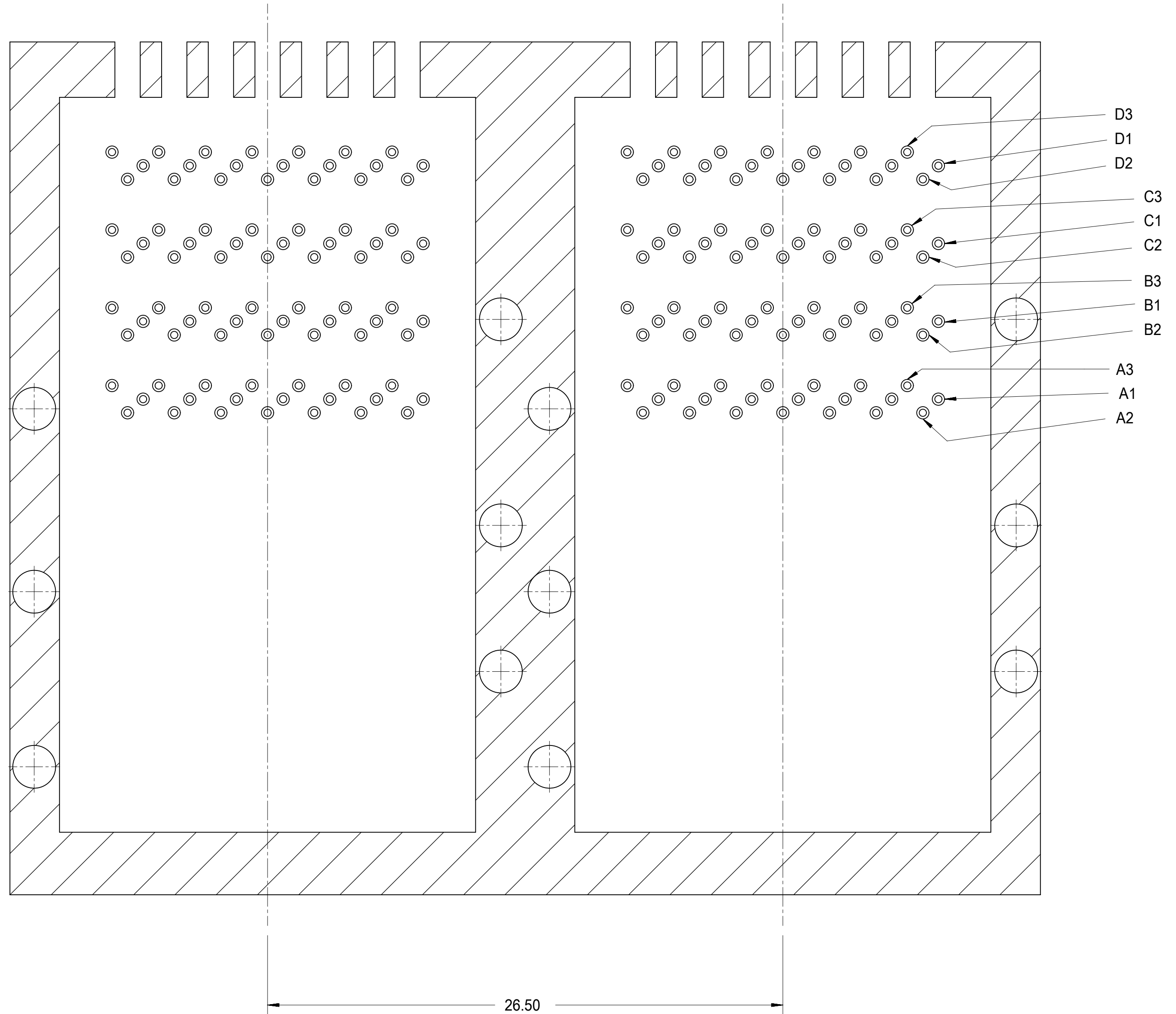


DETAIL Y
SCALE 15:1

NOTES:

- CROSS-HATCHED AREA TO BE CONDUCTIVE ON THE PCB.
- CROSS-HATCHED AREA MUST BE INCORPORATED IN THE FLAT ROCK PRESS-FIT TOOLING.
- REFER TO THE PLATING DETAIL OF THE COMPLIANT PIN HOLES IN THE APPLICATION SPEC AS-170465-0002 FOR THE DRILL SIZE AND ANNULAR RING FOR THE 0.37 \varnothing FINISHED HOLE.
- MINIMUM RECOMMENDED SPACING: 26.50mm

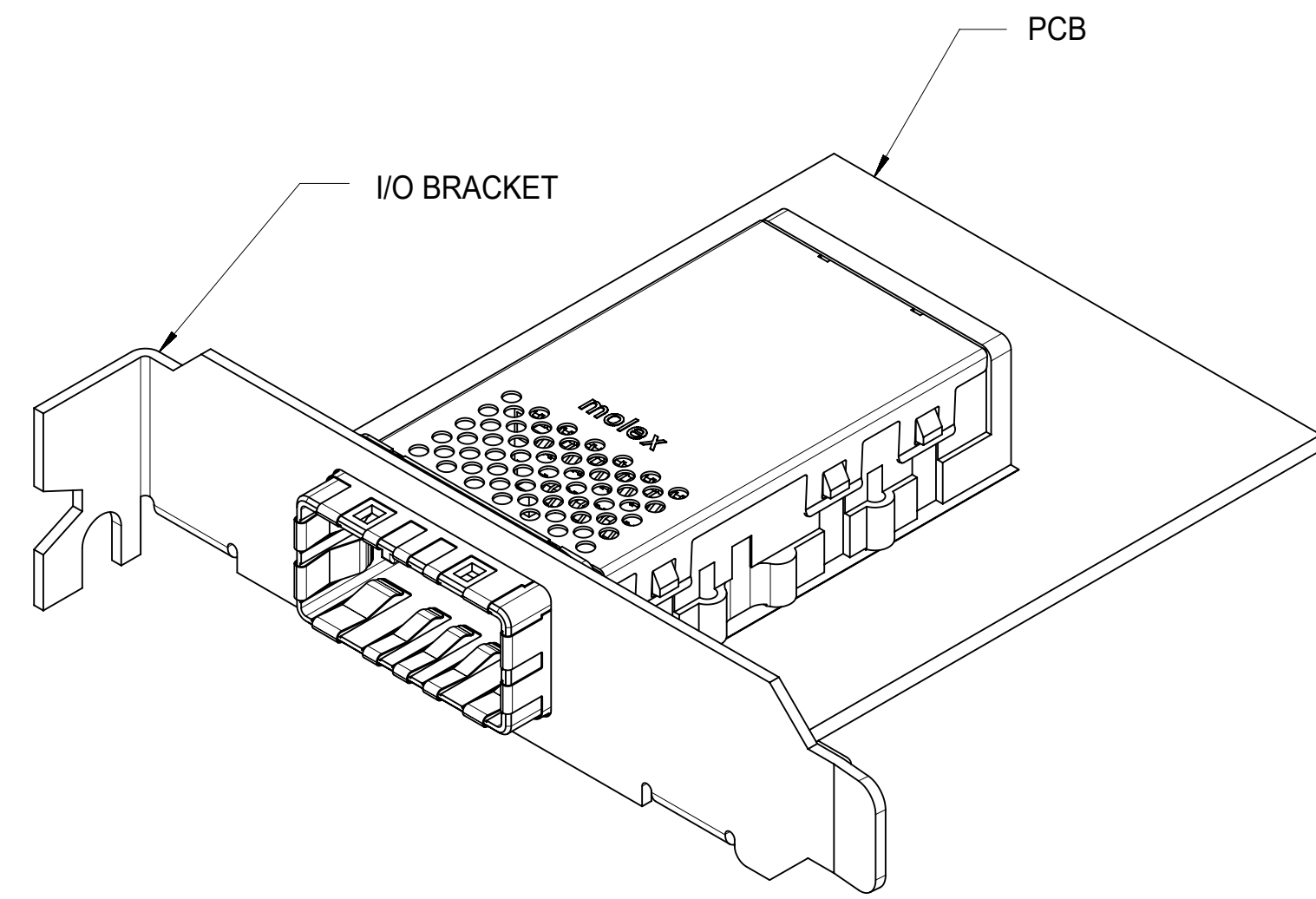
QUALITY SYMBOLS		THIS DRAWING CONTAINS INFORMATION THAT IS PROPRIETARY TO MOLEX ELECTRONIC TECHNOLOGIES, LLC AND SHOULD NOT BE USED WITHOUT WRITTEN PERMISSION									
∇ = 0	2017/12/19	GENERAL TOLERANCES (UNLESS SPECIFIED)		DIMENSION UNITS	SCALE						
∇ = 0	2018/01/25	ANGULAR TOL $\pm 0.5^\circ$		mm	1:1						
∇ = 0	2018/01/25	4 PLACES \pm		DRWN BY	DATE	I-PASS PLUS CXP EF 84 CIRCUIT					
∇ = 0		3 PLACES \pm		GPRATT	2015/01/20						
∇ = 0		2 PLACES ± 0.25		CHKD BY	DATE	PRODUCT CUSTOMER DRAWING					
∇ = 0		1 PLACE \pm		MBANAKIS	2015/01/20						
∇ = 0		0 PLACES \pm		APPR BY	DATE	GENERAL MARKET					
∇ = 0		DRAFT WHERE APPLICABLE MUST REMAIN WITHIN DIMENSIONS		MBANAKIS	2015/01/21						
∇ = 0				DRAWING SIZE	THIRD ANGLE PROJECTION	SERIES		MATERIAL NUMBER		CUSTOMER	
∇ = 0				D		170465		1704650001		GENERAL MARKET	
						DOCUMENT NUMBER		DOC TYPE		DOC PART SHEET NUMBER	
						SD-170465-0001		PSD		001 2 OF 5	



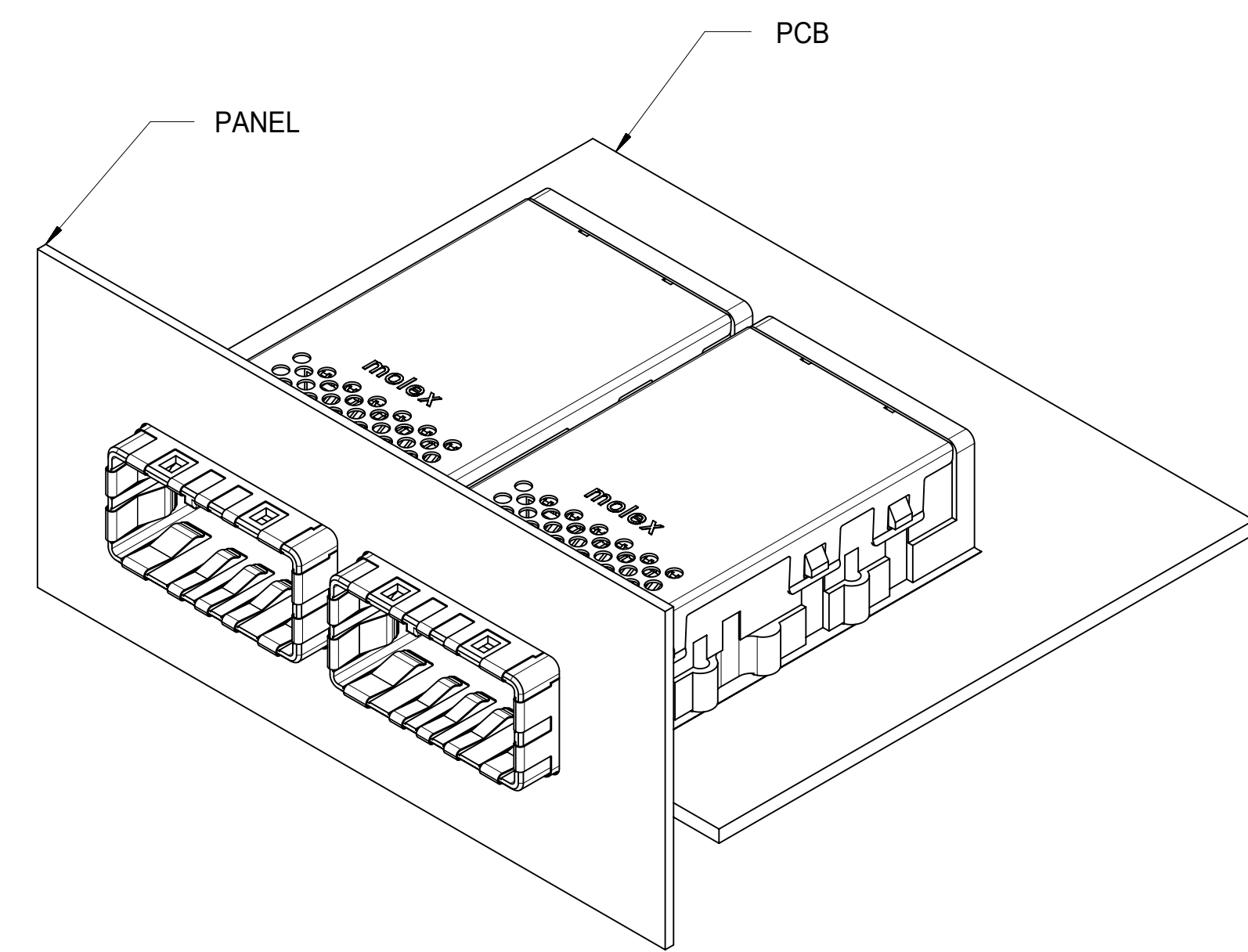
NOTES:

1. 0.03 MINIMUM KEEP OUT FOR SOLDER MASK AROUND ALL PADS
2. DATUM B TARGETS ARE DEFINED BY THE RESPECTIVE PAD CENTER LINES AND THE LEADING EDGE OF THE TARGET PADS

QUALITY SYMBOLS 	THIS DRAWING CONTAINS INFORMATION THAT IS PROPRIETARY TO MOLEX ELECTRONIC TECHNOLOGIES, LLC AND SHOULD NOT BE USED WITHOUT WRITTEN PERMISSION				
	EC NO: 171334 DRWN: JWALLACE01 CHKD: SMILLER REV APPR: SMILLER	2017/12/19 2018/01/25 2018/01/25	GENERAL TOLERANCES (UNLESS SPECIFIED) ANGULAR TOL ± 0.5 ° 4 PLACES ± 3 PLACES ± 2 PLACES ± 0.25 1 PLACE ± 0 PLACES ± DRAFT WHERE APPLICABLE MUST REMAIN WITHIN DIMENSIONS	DIMENSION UNITS: mm SCALE: 1:1 DRWN BY: GPRATT DATE: 2015/01/20 CHKD BY: MBANAKIS DATE: 2015/01/20 APPR BY: MBANAKIS DATE: 2015/01/21 DRAWING SIZE: D THIRD ANGLE PROJECTION	
	PRODUCT CUSTOMER DRAWING			SERIES: 170465 MATERIAL NUMBER: 1704650001 CUSTOMER: GENERAL MARKET	
	I-PASS PLUS CXP EF 84 CIRCUIT		DOCUMENT NUMBER: SD-170465-0001 DOC TYPE: PSD DOC PART SHEET NUMBER: 001 3 OF 5		

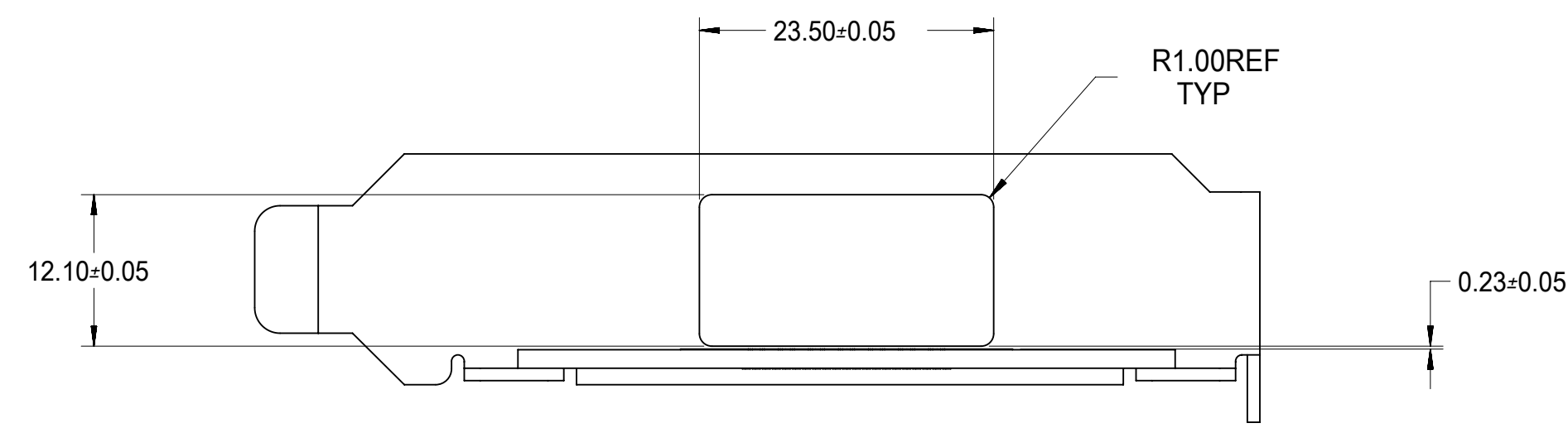


170465-0002
SHOWN



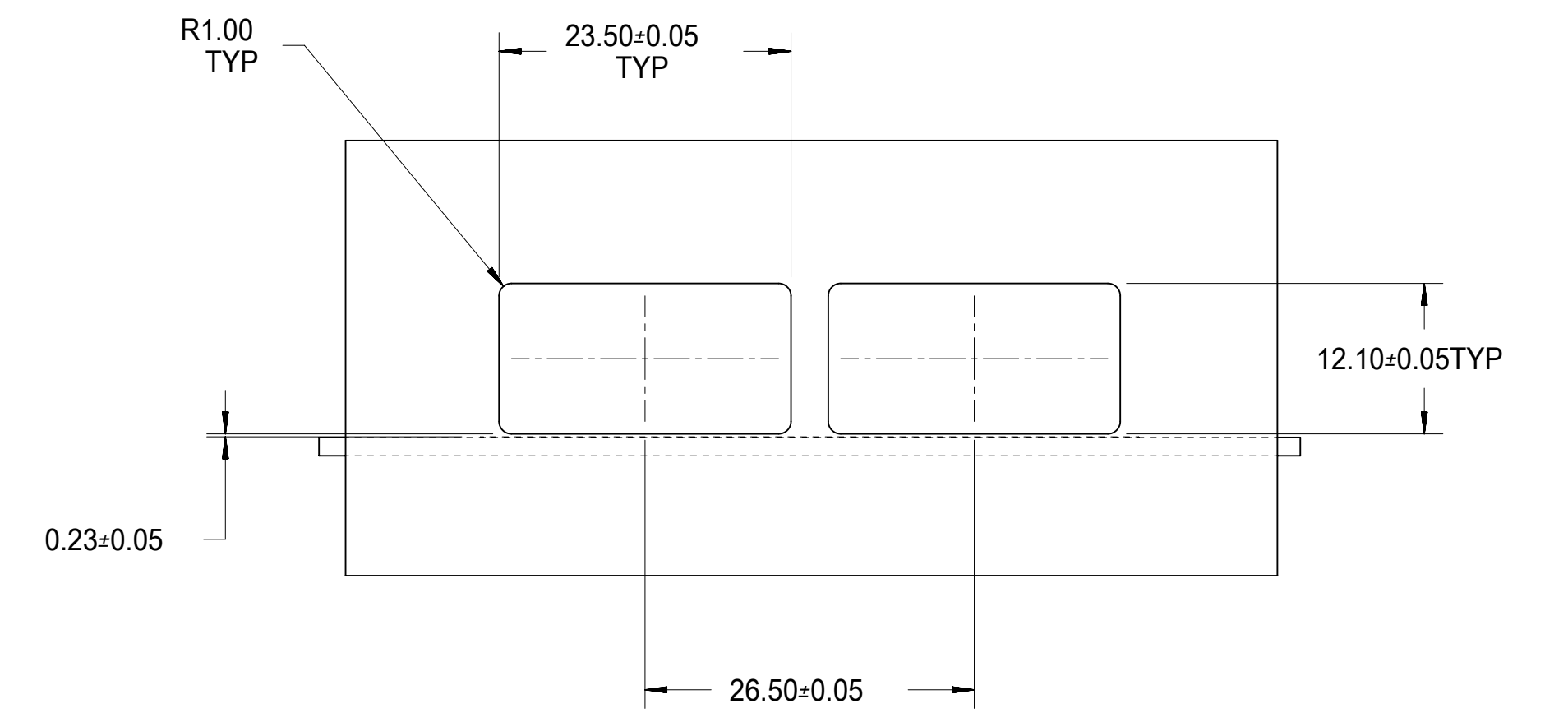
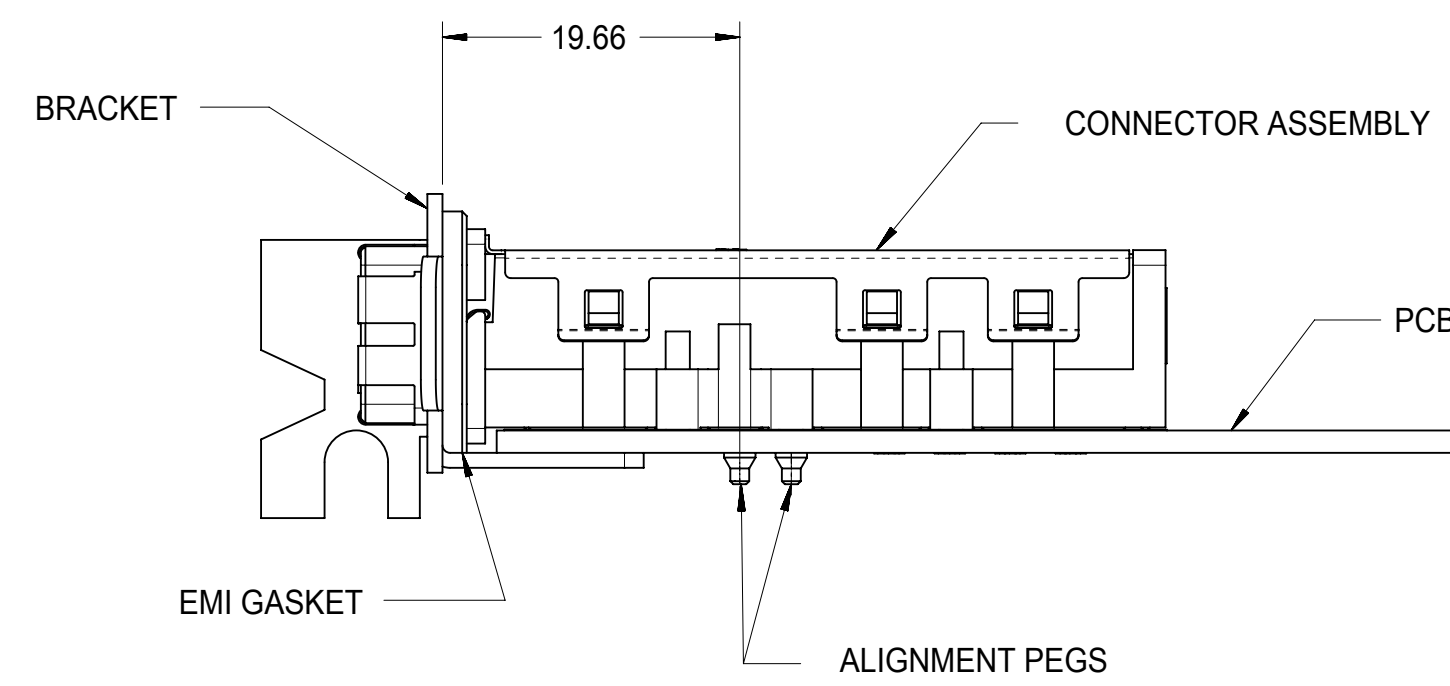
170465-0002
SHOWN

FOR ASSEMBLIES
170465-0002 & 170465-0102



RECOMMENDED I/O BRACKET CUT-OUT

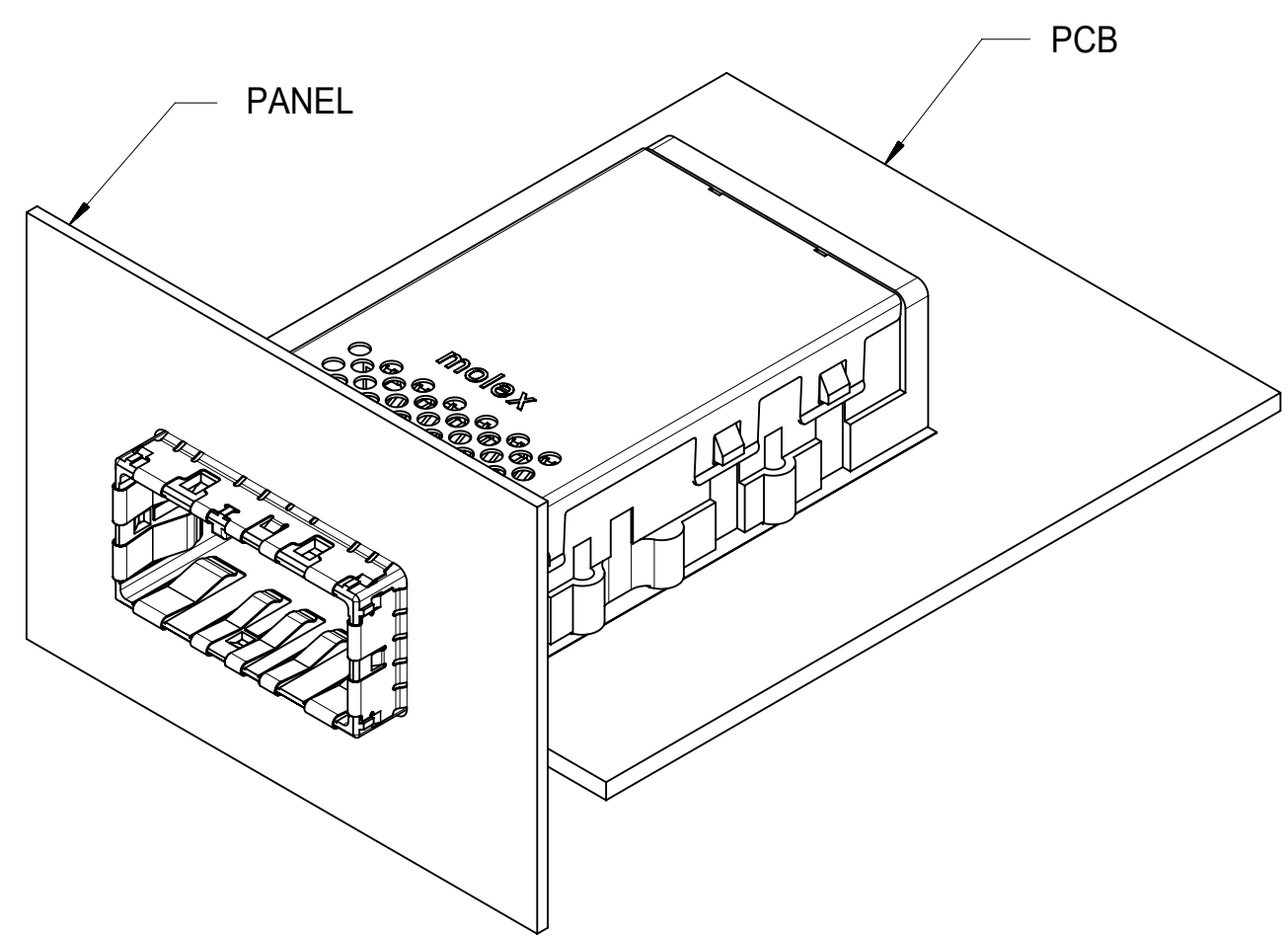
(NOT SUPPLIED)



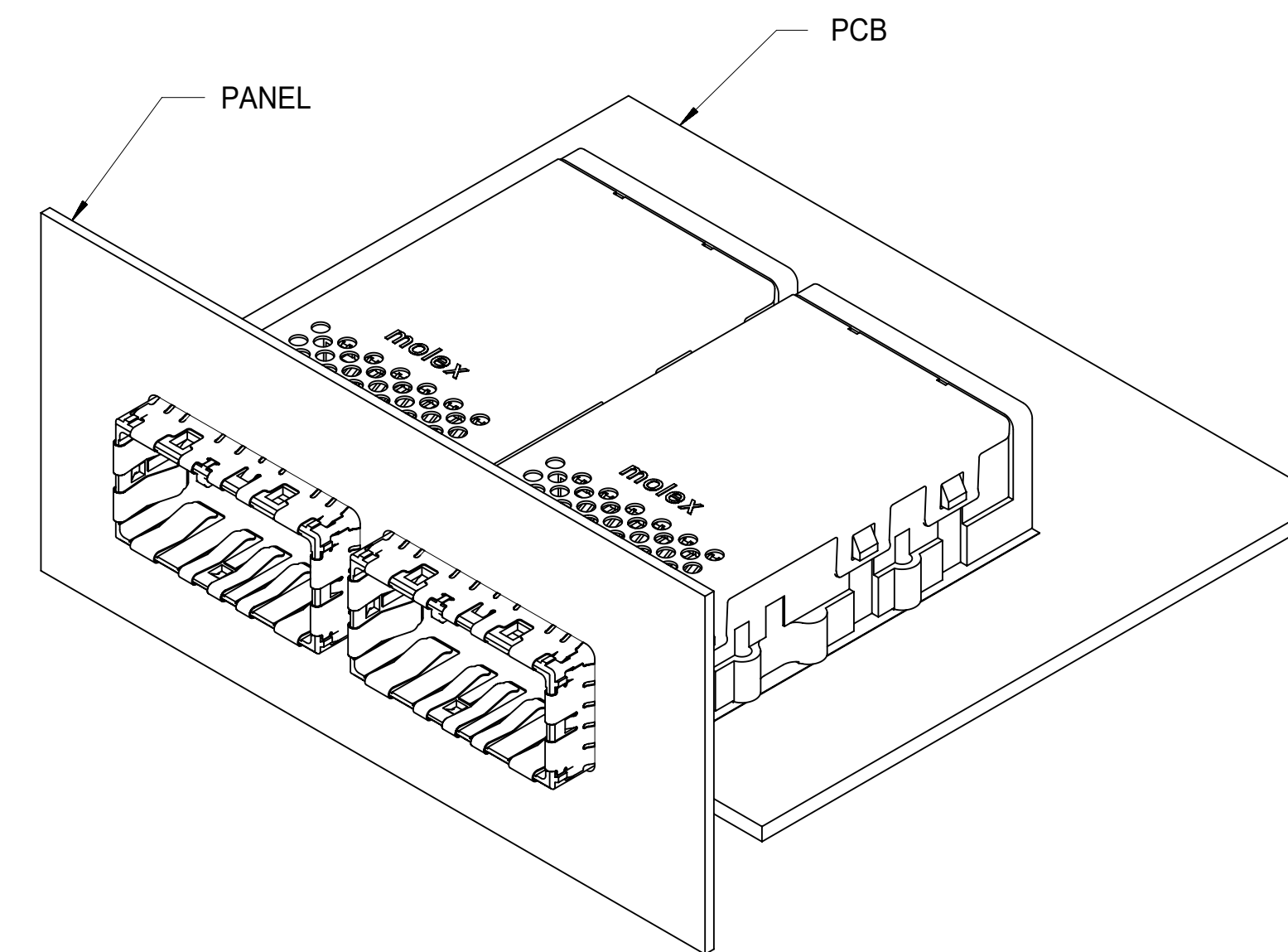
RECOMMENDED PANEL CUT-OUT

(NOT SUPPLIED)

QUALITY SYMBOLS 	THIS DRAWING CONTAINS INFORMATION THAT IS PROPRIETARY TO MOLEX ELECTRONIC TECHNOLOGIES, LLC AND SHOULD NOT BE USED WITHOUT WRITTEN PERMISSION										
	EC NO: 171334 DRWN: JWALLACE01 CHKD: SMILLER REV APPR: SMILLER	GENERAL TOLERANCES (UNLESS SPECIFIED) ANGULAR TOL ± 0.5 °		DIMENSION UNITS mm	SCALE 1:1						
		4 PLACES ±	DRWN BY GPRATT	DATE 2015/01/20							
		3 PLACES ±	CHKD BY MBANAKIS	DATE 2015/01/20							
		2 PLACES ± 0.25	APPR BY MBANAKIS	DATE 2015/01/21							
	1 PLACE ±	DRAWING SIZE D	THIRD ANGLE PROJECTION 	SERIES 170465	MATERIAL NUMBER 1704650001	CUSTOMER GENERAL MARKET					
	0 PLACES ±	DRAFT WHERE APPLICABLE MUST REMAIN WITHIN DIMENSIONS	DOCUMENT NUMBER SD-170465-0001	DOC TYPE PSD	DOC PART 001	SHEET NUMBER 4 OF 5					
	RELEASE STATUS P1	RELEASE DATE 2018/01/25	15:49:29								

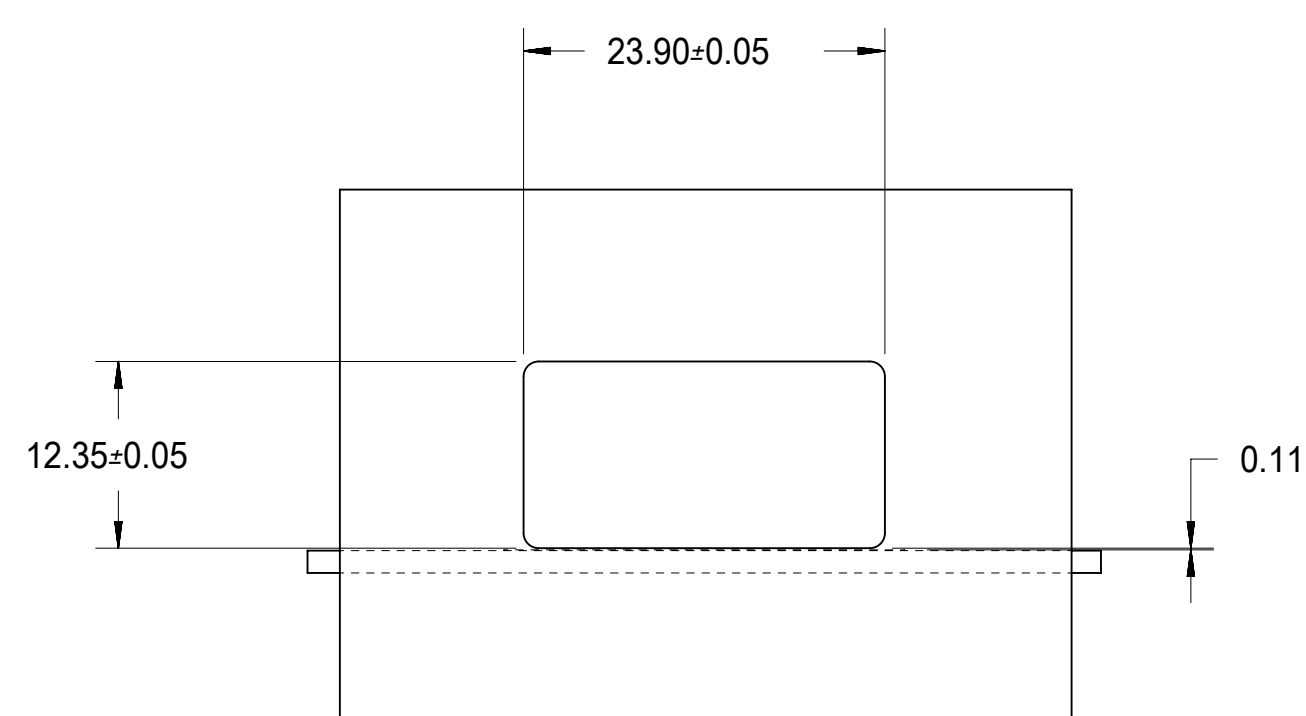


170465-0003
SHOWN

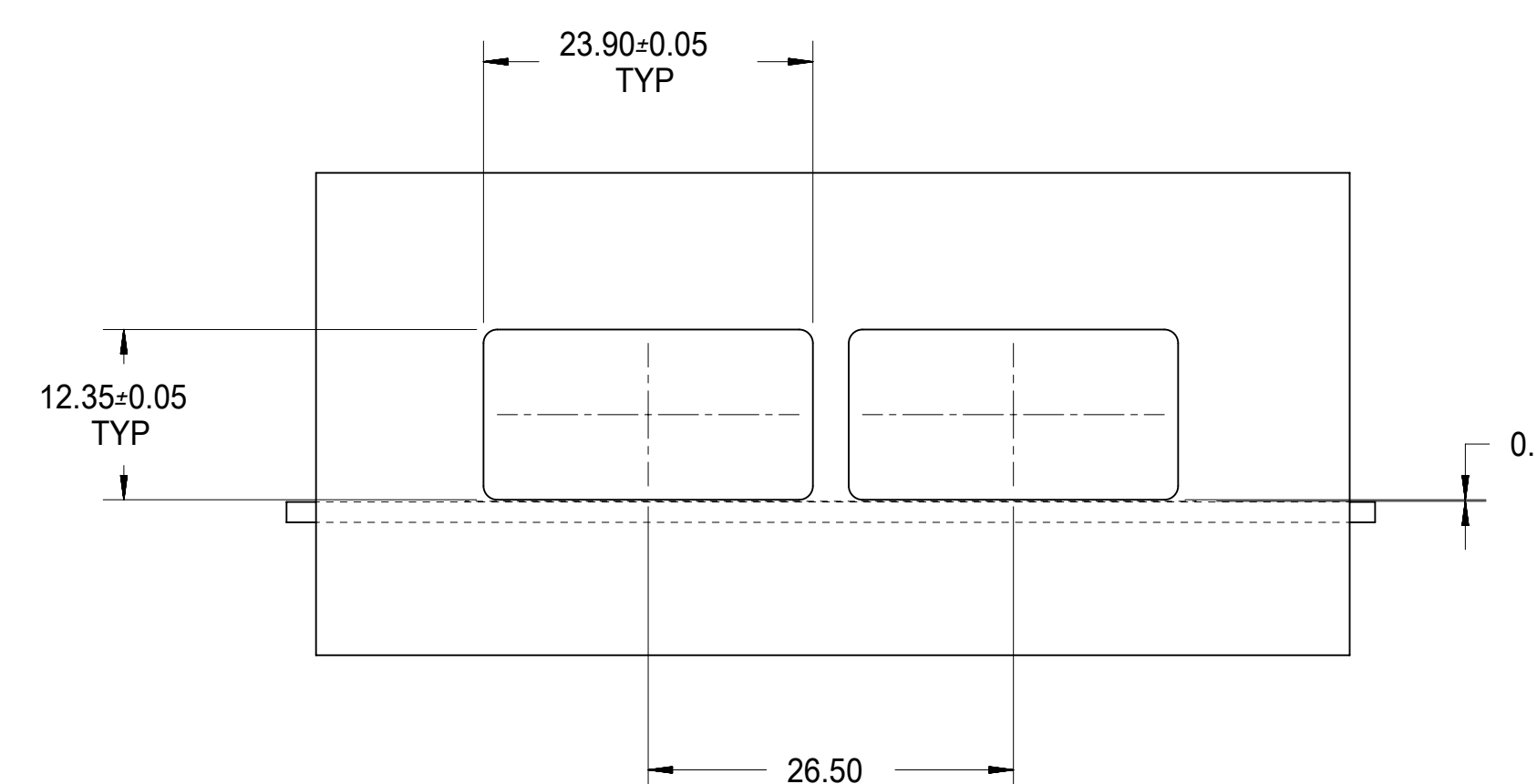
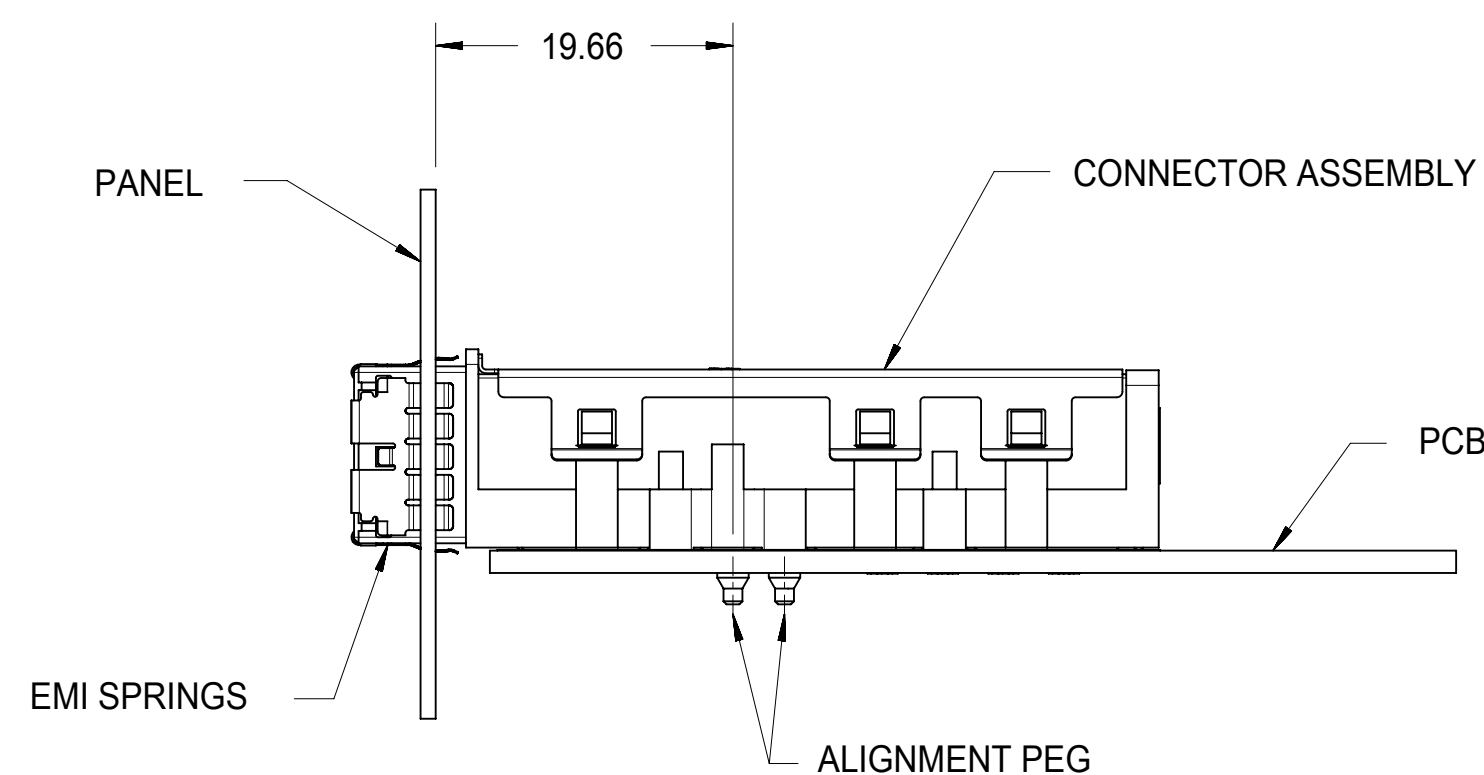


170465-0003
SHOWN

FOR ASSEMBLIES
170465-0003 & 170465-0103



RECOMMENDED SINGLE PANEL CUT-OUT
(NOT SUPPLIED)



RECOMMENDED DUAL PANEL CUT-OUT
(NOT SUPPLIED)

QUALITY SYMBOLS □ = 0 ▽ = 0 ▽ = 0 ▽ = 0 ▽ = 0 ▽ = 0 ▽ = 0 ▽ = 0 ▽ = 0 ▽ = 0 ▽ = 0	THIS DRAWING CONTAINS INFORMATION THAT IS PROPRIETARY TO MOLEX ELECTRONIC TECHNOLOGIES, LLC AND SHOULD NOT BE USED WITHOUT WRITTEN PERMISSION									
	EC NO: 171334 DRWN: JWALLACE01 CHKD: SMILLER REV APPR: SMILLER	2017/12/19	GENERAL TOLERANCES (UNLESS SPECIFIED) ANGULAR TOL ± 0.5 ° 4 PLACES ± 3 PLACES ± 2 PLACES ± 0.25 1 PLACE ± 0 PLACES ± DRAFT WHERE APPLICABLE MUST REMAIN WITHIN DIMENSIONS	DIMENSION UNITS	SCALE					
		2018/01/25		mm	1:1					
		2018/01/25		DRWN BY	DATE	I-PASS PLUS CXP EF 84 CIRCUIT				
		GPRATT	2015/01/20							
		CHKD BY	DATE	PRODUCT CUSTOMER DRAWING						
		MBANAKIS	2015/01/20							
		APPR BY	DATE	SERIES	MATERIAL NUMBER	CUSTOMER GENERAL MARKET				
		MBANAKIS	2015/01/21	170465	1704650001					
		DRAWING SIZE	THIRD ANGLE PROJECTION	DOCUMENT NUMBER	DOC TYPE	DOC PART	SHEET NUMBER			
	D		SD-170465-0001	PSD	001	5 OF 5				