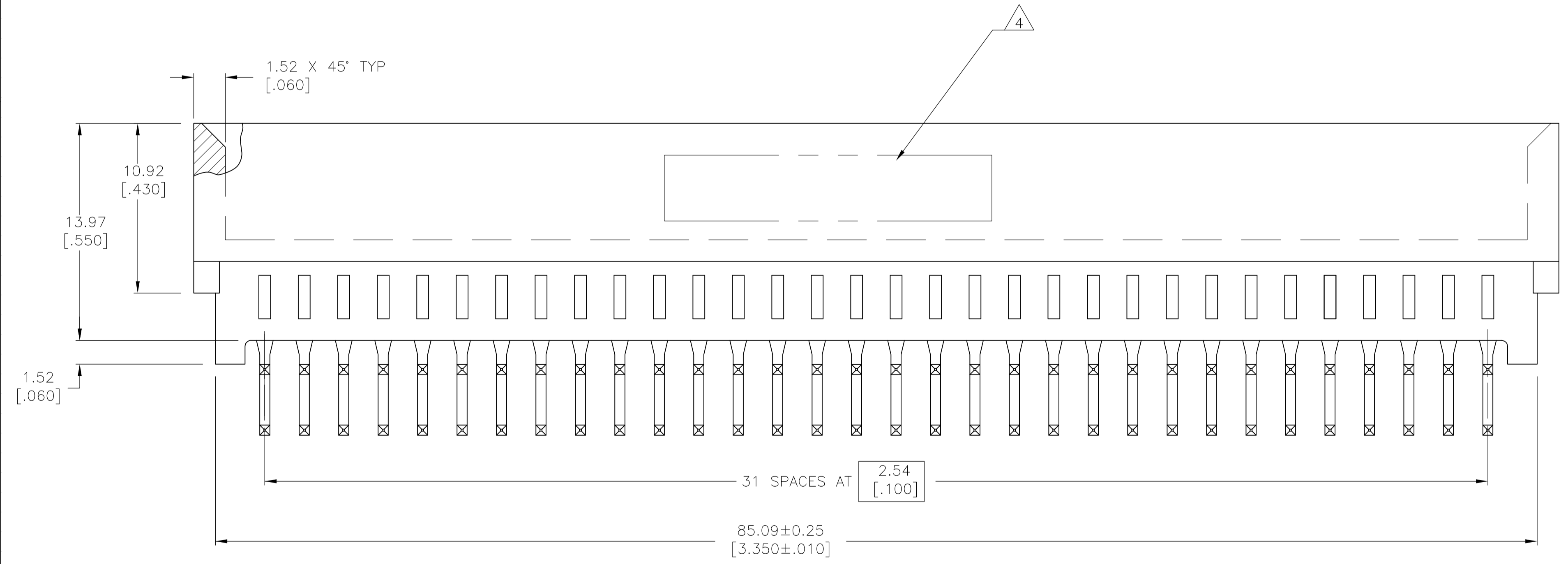
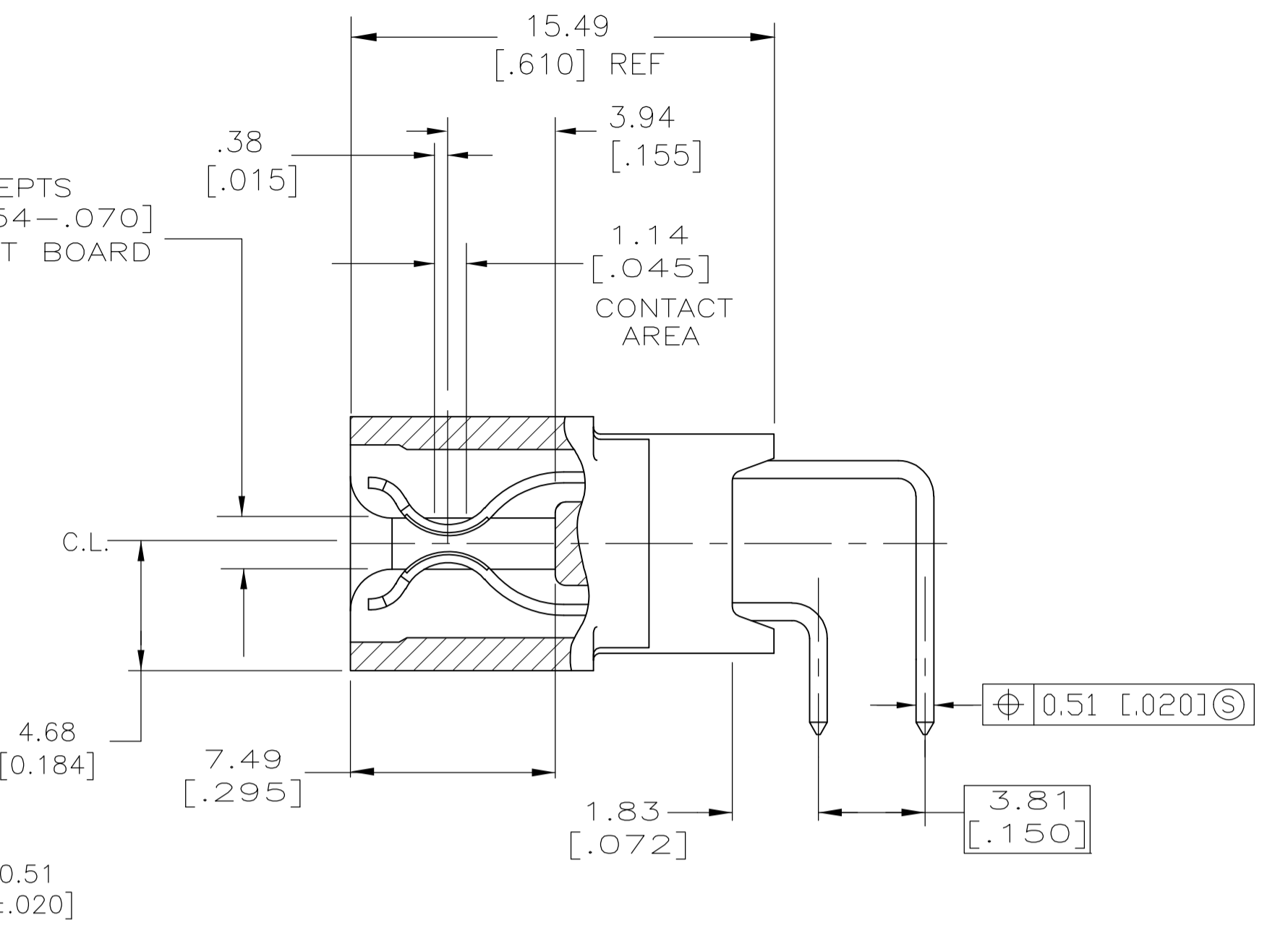


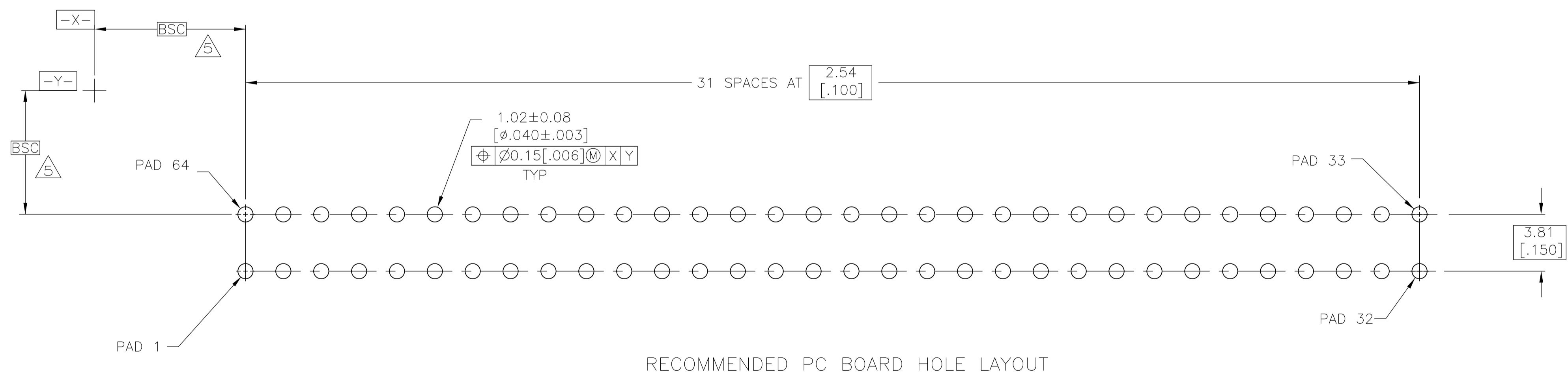
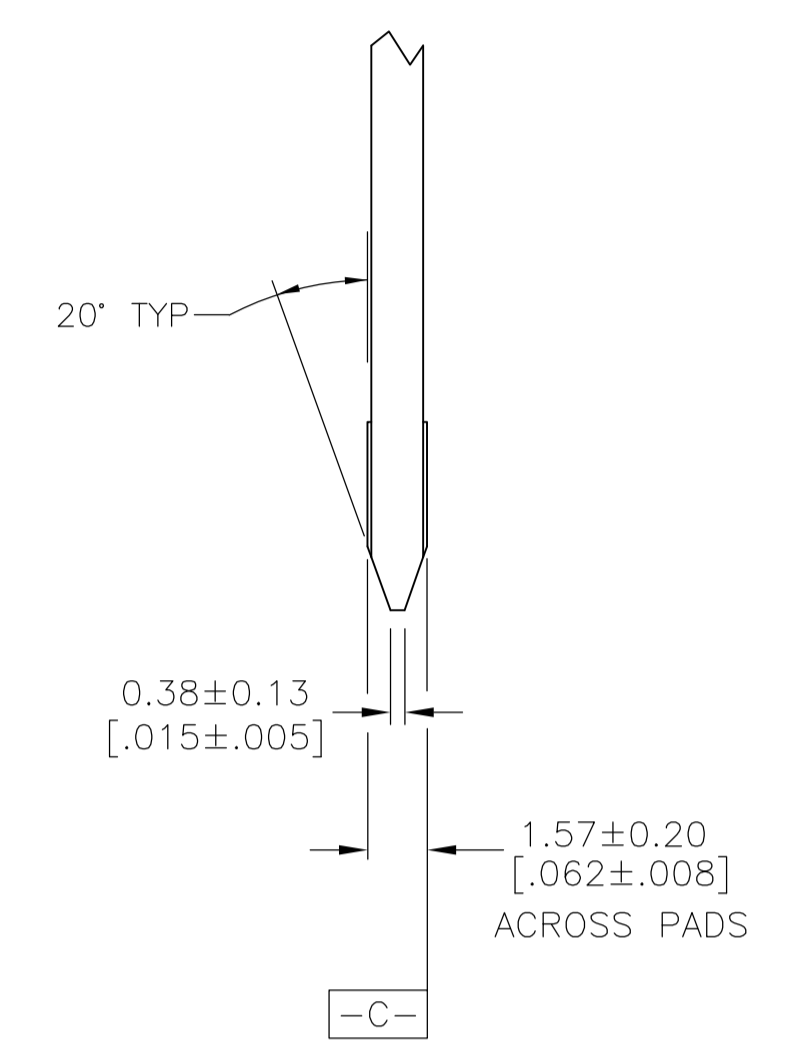
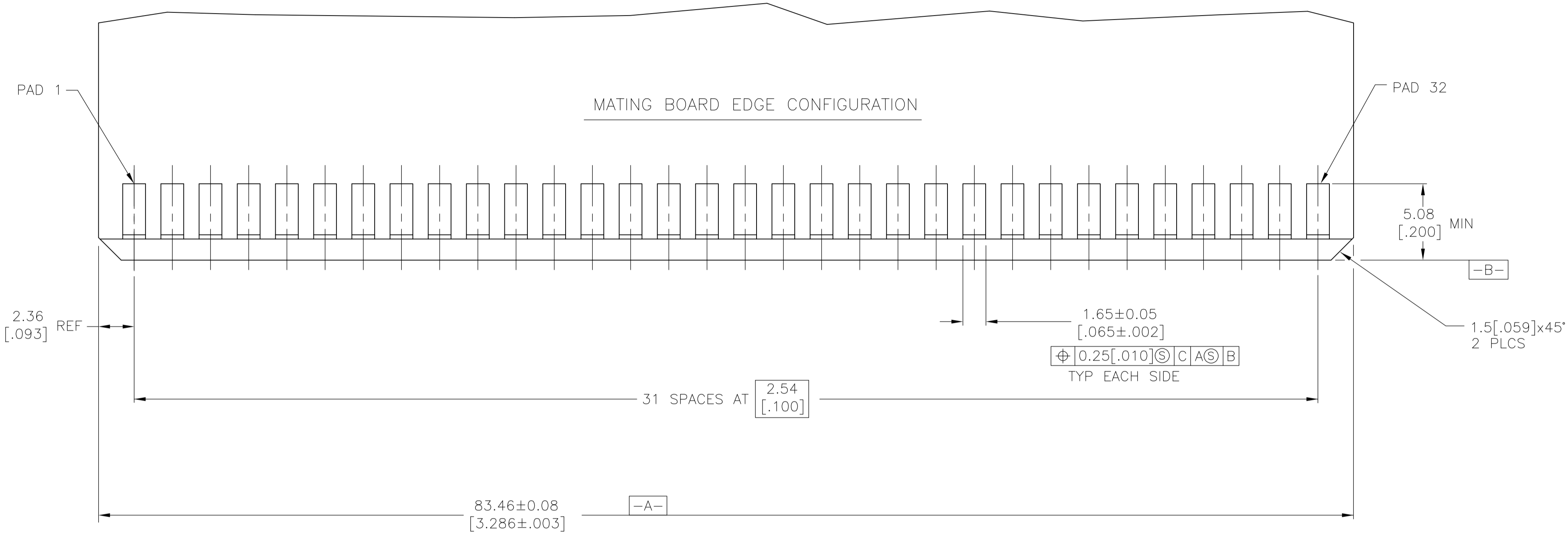
CARD SLOT ACCEPTS  
 1.37-1.78 [.054-.070]  
 PRINTED CIRCUIT BOARD



- HOUSING: GLASS FILLED POLYESTER, BLACK.
  - CONTACT: HIGH CONDUCTIVITY COPPER ALLOY.  
 NICKEL PLATE .00127 [.000050] MIN - ALL OVER.  
 MATTE TIN PLATE .00254 [.000100] MIN - SOLDER POSTS.  
 GOLD PLATE .00038 [.000015] MIN - MATING AREA.
  - NICKEL PLATE PER MIL-G-45204  
 GOLD PLATE PER QQ-N-290
- △ TYCO PART NUMBER AND DATE CODE MAY BE MARKED IN APPROXIMATE AREA SHOWN, EITHER SIDE.  
 △ DATUMS PLUS BASIC DIMENSIONS ESTABLISHED BY CUSTOMER.

1761468-1  
 PART NUMBER

THIS DRAWING IS A CONTROLLED DOCUMENT.		DIN R GRZYBOWSKI 21SEPT04	Tyco Electronics Corporation Harrisburg, PA, 17105-3608	
DIMENSIONS: mm [INCHES]		CHK A FRANTUM 21SEPT04	NAME	
TOLERANCES UNLESS OTHERWISE SPECIFIED:		APVD A FRANTUM 21SEPT04	PRODUCT SPEC	
0. PLC ± -	1. PLC ± -	108-9039		
2. PLC ± .13[.005]	3. PLC ± -	APPLICATION SPEC		
4. PLC ± -	ANGLES ± °	SIZE	CAGE CODE	DRAWING NO
MATERIAL SEE NOTE 1 & 2	FINISH SEE NOTE 2 & 3	A1	00779	1761468
CUSTOMER DRAWING		SCALE	SHEET	REV
		5:1	1 OF 2	C2



THIS DRAWING IS A CONTROLLED DOCUMENT.		DIN R GRZYBOWSKI 21SEPT04	Tyco Electronics Corporation Harrisburg, PA, 17105-3608	
DIMENSIONS: mm [INCHES]		CHK A FRANTUM 21SEPT04	NAME	
TOLERANCES UNLESS OTHERWISE SPECIFIED:		APVD A FRANTUM 21SEPT04	PRODUCT SPEC	
0 PLC ± -		108-9039		
1 PLC ± -		APPLICATION SPEC		
2 PLC ± .13[.005]		114-13018		
3 PLC ± -		SIZE CAGE CODE DRAWING NO RESTRICTED TO		
4 PLC ± -		A1 00779 C=1761468		
ANGLES ± ± °		SCALE 5:1 SHEET 2 OF 2 REV C2		
MATERIAL SEE SHEET 1	FINISH SEE SHEET 1	WEIGHT -	CUSTOMER DRAWING	