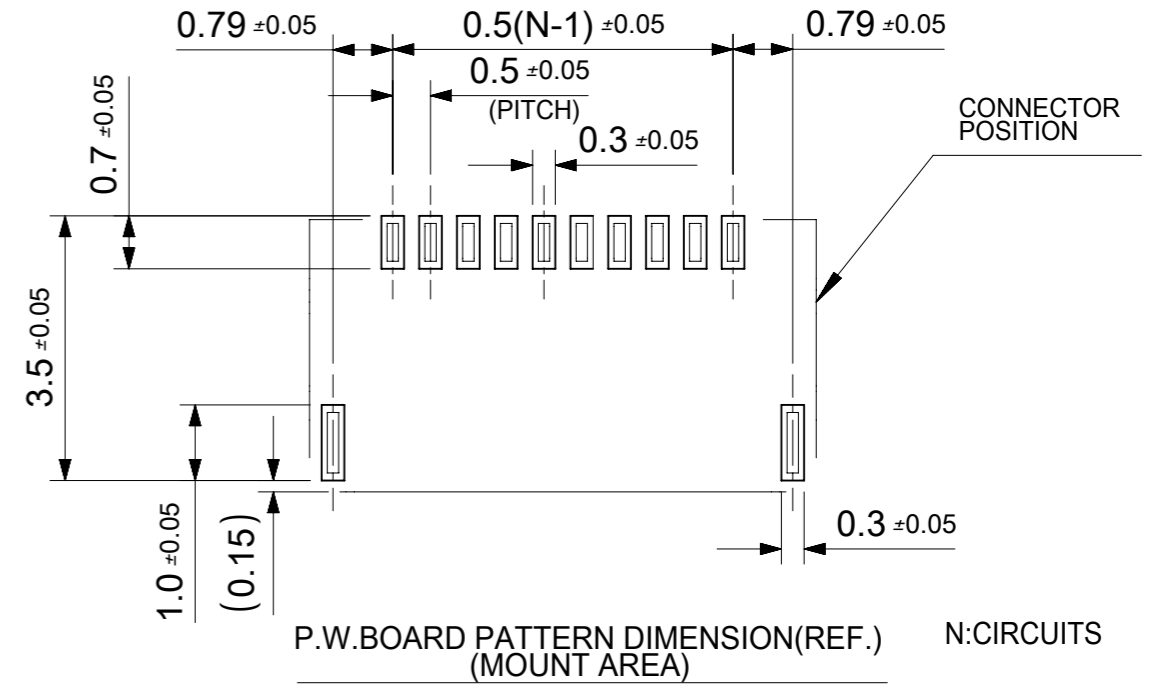
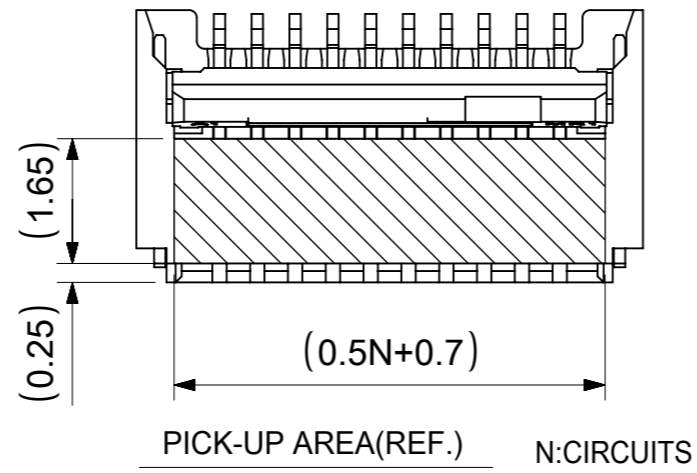
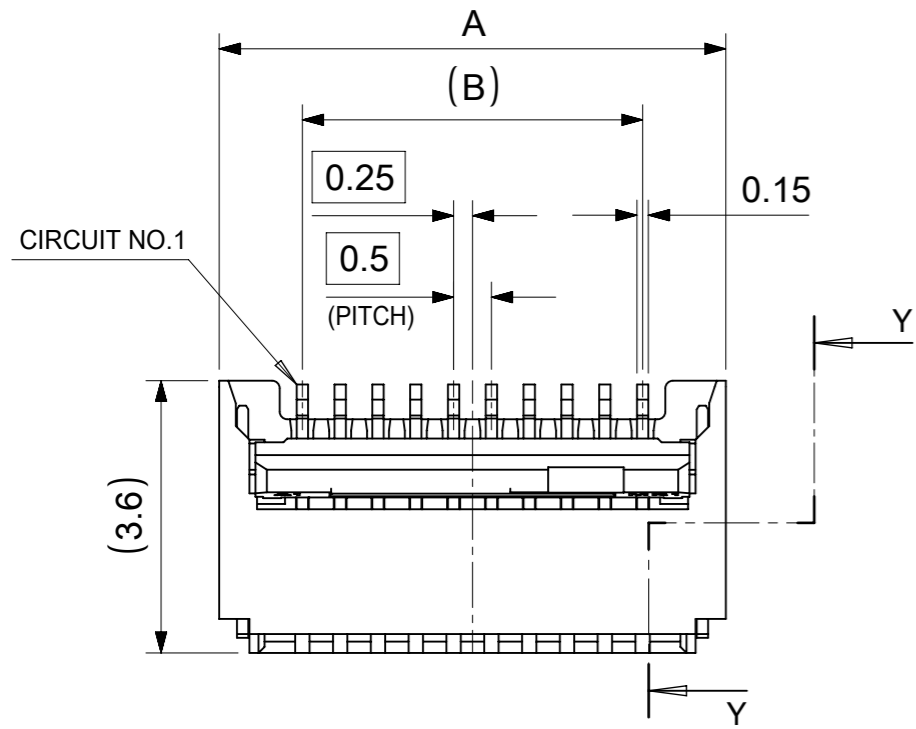
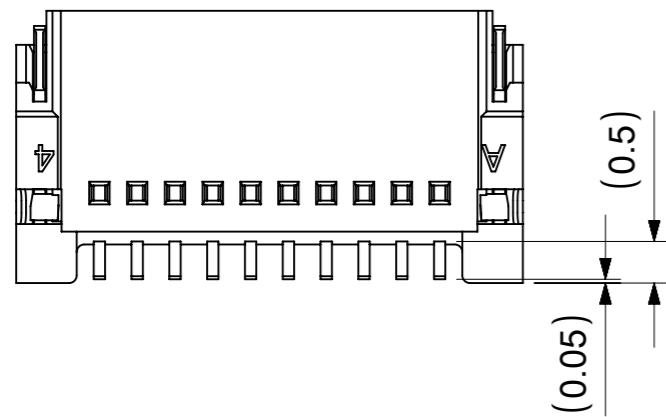
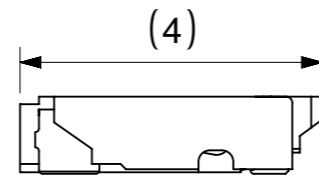
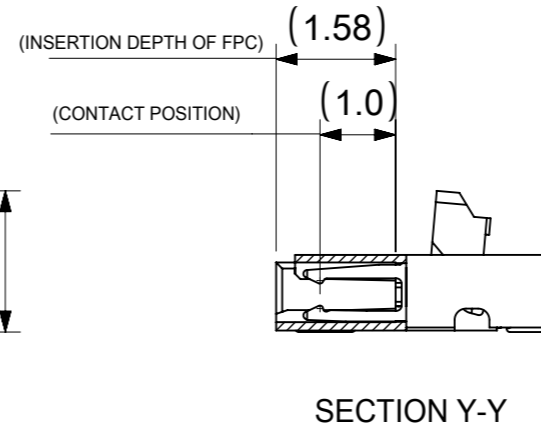
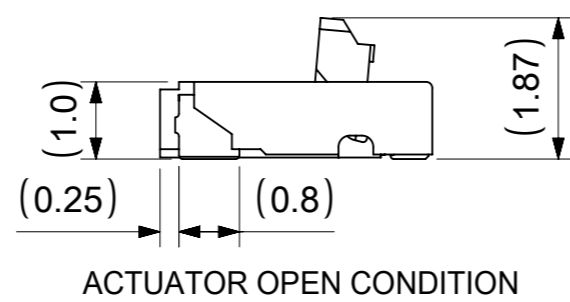
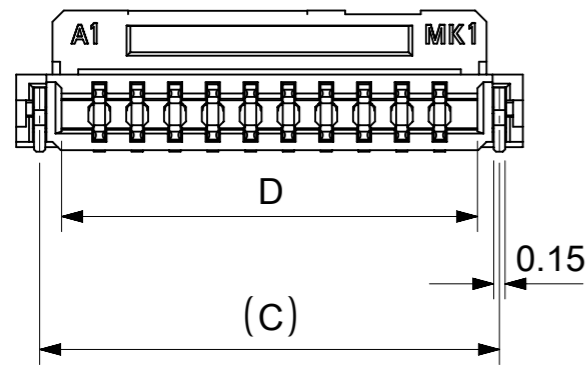


CIRCUIT NO.1



METAL MASK THICKNESS : 0.1mm
 OPENING AREA : TERM.(0.7X0.3)
 NAIL(1.0X0.3)



20.5	21.08	19.5	21.7	503480-4000	40
19.5	20.08	18.5	20.7	503480-3800	38
18.5	19.08	17.5	19.7	503480-3600	36
17.5	18.08	16.5	18.7	503480-3400	34
16.5	17.08	15.5	17.7	503480-3200	32
15.5	16.08	14.5	16.7	503480-3000	30
14.5	15.08	13.5	15.7	503480-2800	28
13.5	14.08	12.5	14.7	503480-2600	26
12.5	13.08	11.5	13.7	503480-2400	24
11.5	12.08	10.5	12.7	503480-2200	22
10.5	11.08	9.5	11.7	503480-2000	20
9.5	10.08	8.5	10.7	503480-1800	18
9.0	9.58	8.0	10.2	503480-1700	17
8.5	9.08	7.5	9.7	503480-1600	16
7.5	8.08	6.5	8.7	503480-1400	14
6.5	7.08	5.5	7.7	503480-1200	12
5.5	6.08	4.5	6.7	503480-1000	10
4.5	5.08	3.5	5.7	503480-0800	8
3.5	4.08	2.5	4.7	503480-0600	6
3.0	3.58	2.0	4.2	503480-0500	5
2.5	3.08	1.5	3.7	503480-0400	4
D	C	B	A	EMBOSSED PACKAGE ORDER NO.	CIRCUIT

CONNECTOR SERIES No. 503480-**09

SYMBOLS		THIS DRAWING CONTAINS INFORMATION THAT IS PROPRIETARY TO MOLEX ELECTRONIC TECHNOLOGIES, LLC AND SHOULD NOT BE USED WITHOUT WRITTEN PERMISSION		CURRENT REV DESC:		molex	
▽ = 0	mm	SCALE	10:1	EC NO: 637378		0.5 FPC CONN. E/O	
▽ = 0	GENERAL TOLERANCES (UNLESS SPECIFIED)			DRWN: YRKIM 2019/10/01		BACKFLIP H=1.0MM ASSEMBLY	
▽ = 0	ANGULAR TOL ± 1.0°			CHK'D: SHCHU 2020/05/12		PRODUCT CUSTOMER DRAWING	
▽ = 0	4 PLACES ±			APPR: SHCHU 2020/06/04		DOCUMENT NUMBER	
▽ = 0	3 PLACES ± 0.2			INITIAL REVISION:		DOC TYPE	
▽ = 0	2 PLACES ± 0.25			DRWN: THIRAYAMA 2009/12/11		DOC PART	
▽ = 0	1 PLACE ± 0.3			APPR: KMORIKAWA 2009/12/14		REVISION	
▽ = 0	0 PLACES ±			THIRD ANGLE PROJECTION		SD-503480-001	
■ = 0	DRAFT WHERE APPLICABLE MUST REMAIN WITHIN DIMENSIONS			DRAWING		PSD	
▽ = 0				SERIES		001	
				A3-SIZE		H1	
				503480		1 OF 2	
				SEE CHART		GENERAL MARKET	

NOTES

1. PART COMPOSITION

HOUSING MATERIAL: LIQUID CRYSTAL POLYMER(LCP), GLASS FILLED, UL94V-0, NATURAL(WHITE)

TERMINAL MATERIAL: PHOSPHOR BRONZE

CONTACT AREA : SEPARATED GOLD PLATING (0.1 MICROMETER MINIMUM)

SOLDER TAIL AREA : SEPARATED GOLD PLATING

UNDERPLATE : NICKEL OVERALL (1.0 MICROMETER MINIMUM)

ACTUATOR MATERIAL : POLYAMIDE(PA), GLASS FILLED, UL94 HB, BLACK

NAIL MATERIAL: PHOSPHOR BRONZE

SOLDER TAIL AREA : TIN OVERALL(1.0 MICROMETER MINIMUM)
UNDERPLATE : NICKEL OVERALL(1.0 MICROMETER MINIMUM)

2. PLEASE DO NOT OPERATE THE ACTUATOR BEFORE MOUNTING.

3. PLEASE OPERATE THE ACTUATOR AFTER INSERTING THE FPC INTO THE CONNECTOR.

4. ABOUT FPC

RECOMMENDED STIFFENER MATERIAL: POLYIMIDE

RECOMMENDED BASE FILM THICKNESS: 25 MICROMETER

RECOMMENDED ADHESIVE: THERMOSETTING ADHESIVE

NOTE: PLEASE PUT APPROPRIATE AMOUNT OF ADHESIVE ON ADHEREND BECAUSE THERE IS A POSSIBILITY THAT THE EXTRA ADHESIVE CAUSES THE DEFECT IN ELECTRICAL CONTINUITY.

RECOMMENDED PUNCHER DIRECTION:

FROM CONDUCTOR SIDE TO STIFFENER FILM SIDE.

RECOMMENDED CONDUCTOR SPECIFICATION:

THICKNESS OF SOFT COPPER FOIL: 35MICROMETER

5. R0.3 MUST NOT BE OVERLAPPED TO PATTERN OF FPC.

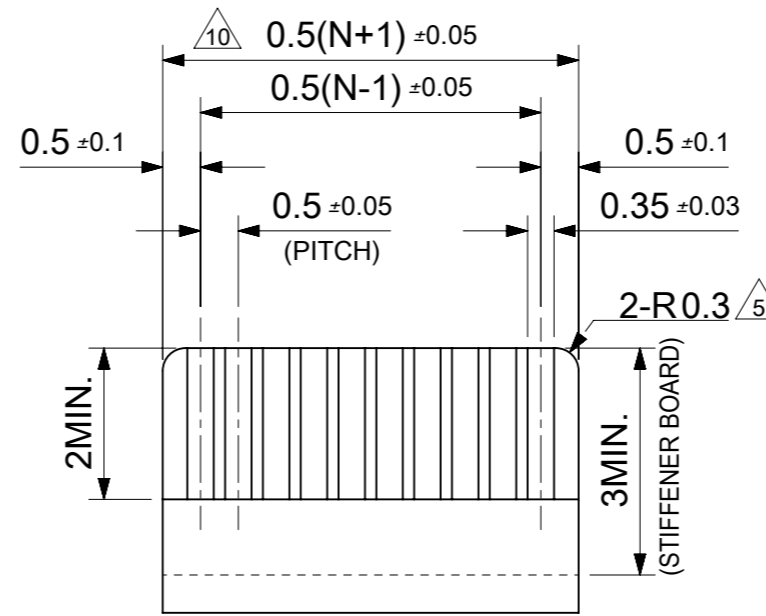
6. COPLANARITY : 0.1 MAXIMUM

7. PLEASE RECOGNIZE A POSSIBILITY TO CHANGE THE SHAPE OF THE PART THAT DOES NOT OBSTRUCT A FUNCTION, BY CIRCUMSTANCES IN OUR PRODUCTION.

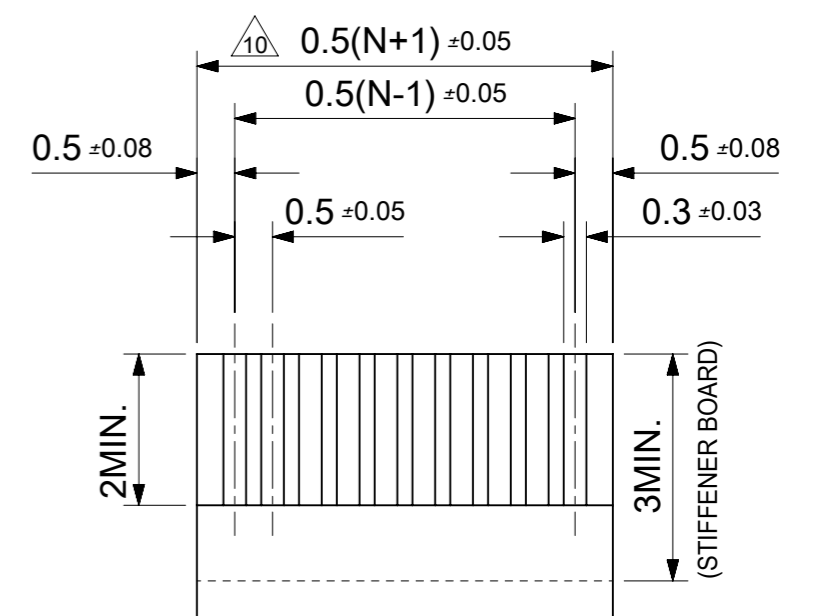
8. THIS PRODUCT IS DELIVERED WITH THE ACTUATOR IN THE OPEN POSITION.

9. THIS PRODUCT IS DUAL-CONTACT (TOP- AND BOTTOM-CONTACTS) TYPE CONNECTOR.

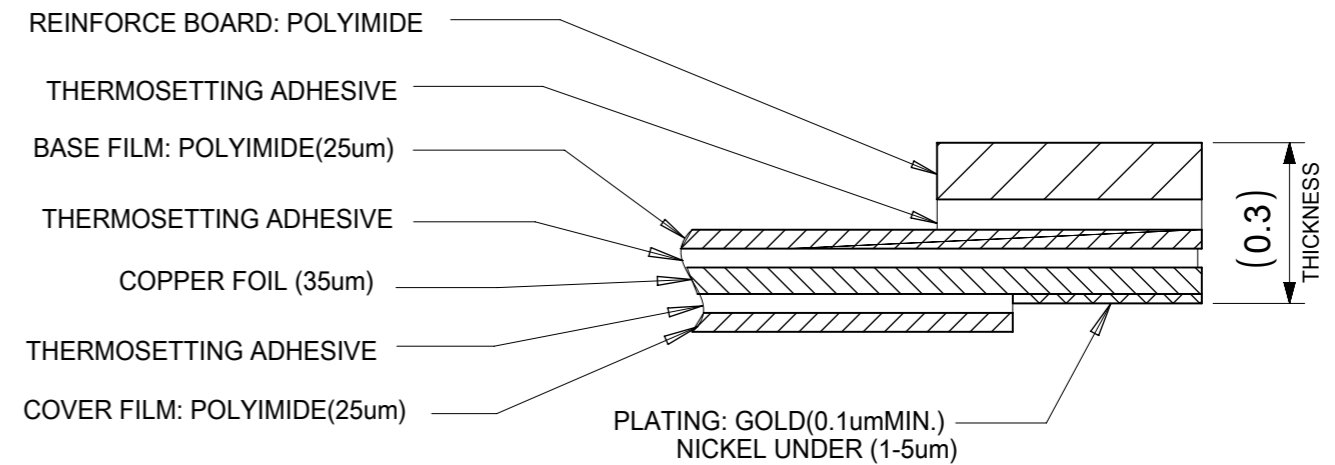
10. PLEASE CONFIRM TO INSERT FPC IN ADVANCE WHEN FPC WIDTH IS OVER $0.5(N+1)+0.02$.



APPLICABLE FPC RECOMMENDED DIMENSION N: CIRCUITS
(THICKNESS : 0.3±0.05) : 30 OR LESS CIRCUITS
(THICKNESS : 0.3±0.03) : 31 OR OVER CIRCUITS

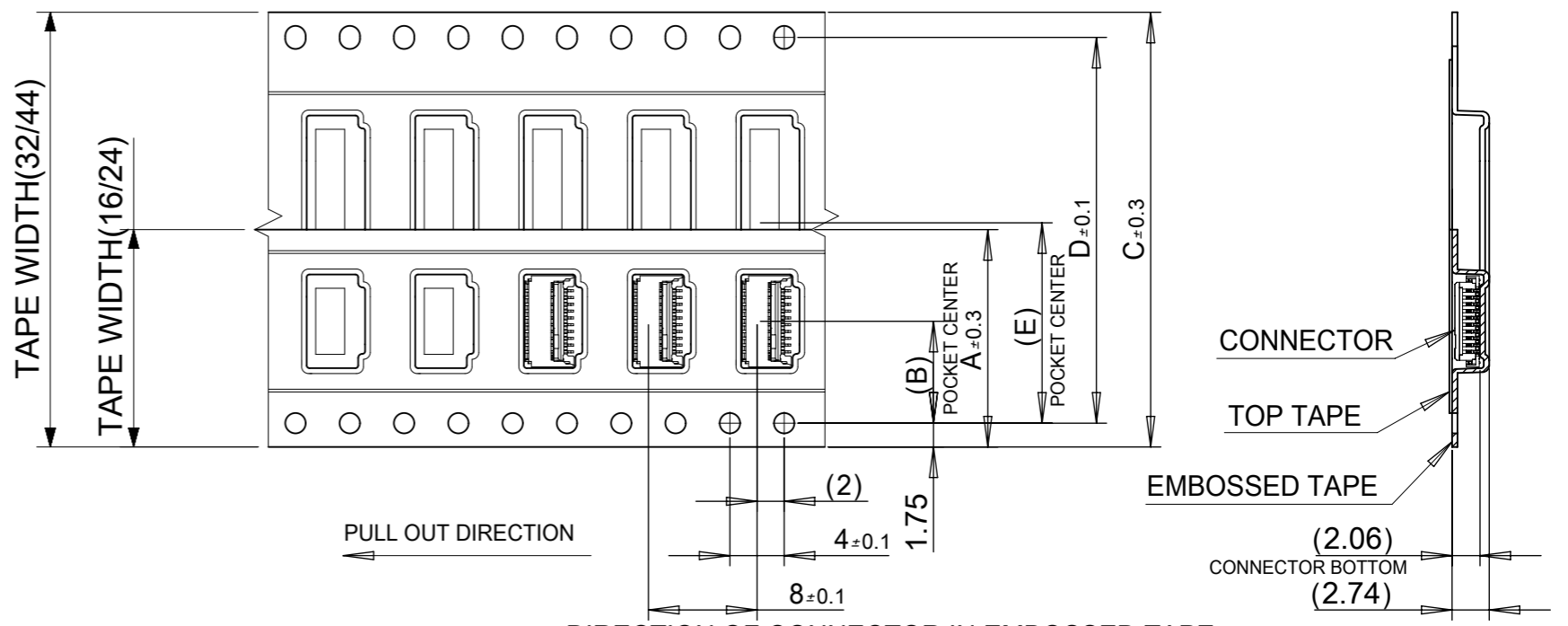
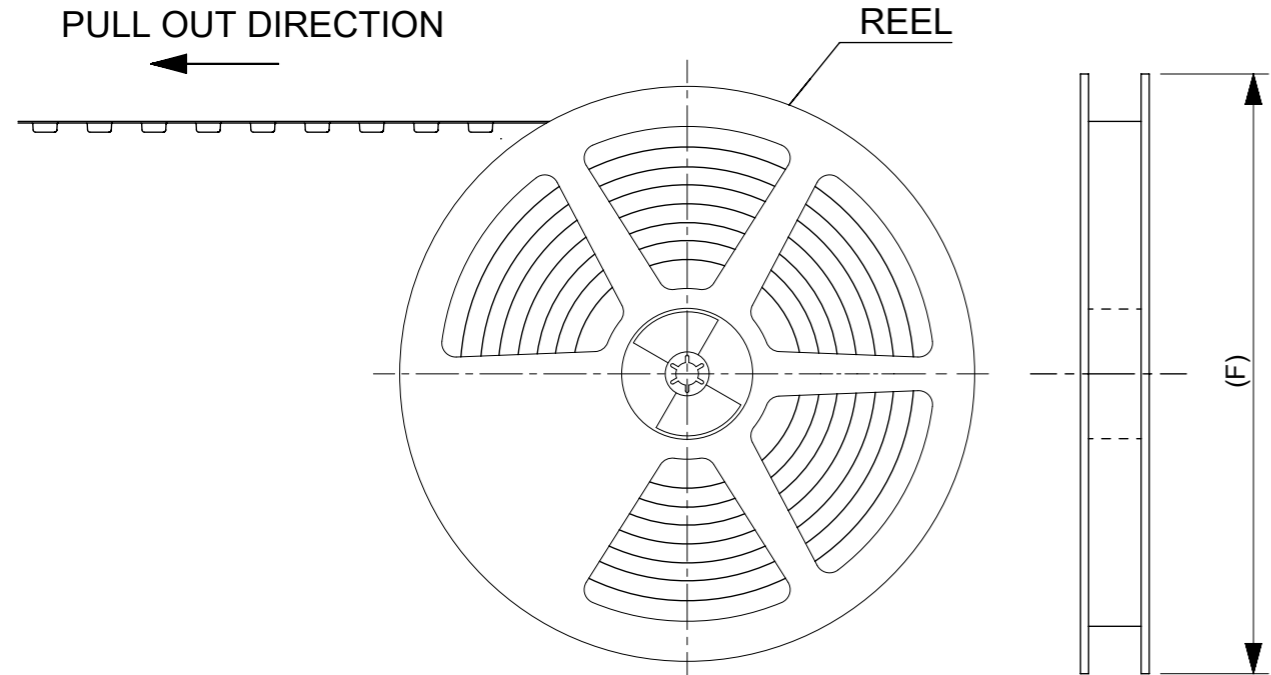


APPLICABLE FFC RECOMMENDED DIMENSION N: CIRCUITS



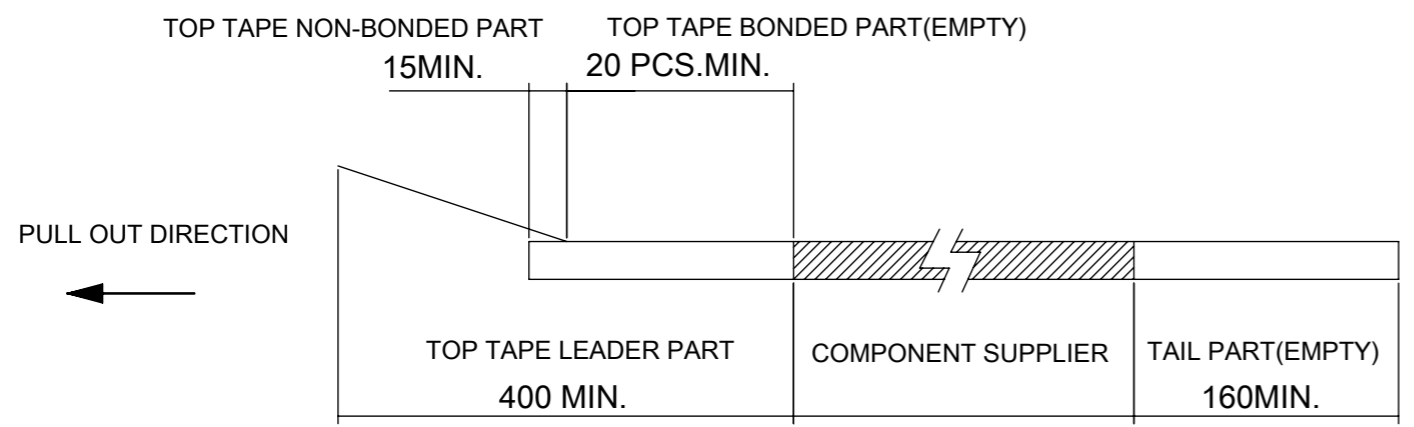
STRUCTURE OF FPC

SYMBOLS	THIS DRAWING CONTAINS INFORMATION THAT IS PROPRIETARY TO MOLEX ELECTRONIC TECHNOLOGIES, LLC AND SHOULD NOT BE USED WITHOUT WRITTEN PERMISSION		CURRENT REV DESC:			molex		
	▽ = 0	mm						
▽ = 0	GENERAL TOLERANCES (UNLESS SPECIFIED)		EC NO: 637378			0.5 FPC CONN. E/O		
▽ = 0	ANGULAR TOL ± 1.0°		DRWN: YRKIM 2019/10/01			BACKFLIP H=1.0MM ASSEMBLY		
▽ = 0	4 PLACES ±		CHK'D: SHCHU 2020/05/12			PRODUCT CUSTOMER DRAWING		
▽ = 0	3 PLACES ± 0.2		APPR: SHCHU 2020/06/04			DOCUMENT NUMBER		
▽ = 0	2 PLACES ± 0.25		INITIAL REVISION:			SD-503480-001		
▽ = 0	1 PLACE ± 0.3		DRWN: THIRAYAMA 2009/12/11			DOC TYPE		
▽ = 0	0 PLACES ±		APPR: KMORIKAWA 2009/12/14			DOC PART		
□ = 0	DRAFT WHERE APPLICABLE MUST REMAIN WITHIN DIMENSIONS		THIRD ANGLE PROJECTION			REVISION		
▽ = 0			DRAWING A3-SIZE			SERIES 503480		
			MATERIAL NUMBER			CUSTOMER		
			SEE SHEET 1			GENERAL MARKET		
			SHEET NUMBER			2 OF 2		



NOTES

1. IN THE PACKAGE, PART NO.503480-**09 DETAILED DIMENSIONS. REFER TO SD-503480-001
2. NUMBER OF CONNECTORS : 3000PCS/REEL
3. LEAD TAPE LENGTH



4. MATERIAL
 CARRIER TAPE : PET
 TOP TAPE : PET,OTHER
 REEL : PS (RECYCLE MATERIAL CONTAINED)
5. COVER TAPE PEEL FORCE IS DEFINED BY IEC60286-3.

380	20.2	40.4	44			44	503480-4000	(E1) 40
							503480-3800	(E1) 38
330	14.2	28.4	32			32	503480-3600	(E1) 36
							503480-3400	(E1) 34
380						24	503480-3200	32
							503480-3000	(E1) 30
330				11.5	24	24	503480-2800	(E1) 28
							503480-2600	26
							503480-2400	24
							503480-2200	22
							503480-2000	20
							503480-1800	18
							503480-1700	17
							503480-1600	16
							503480-1400	14
							503480-1200	12
				7.5	16	16	503480-1000	10
							503480-0800	8
							503480-0600	6
							503480-0500	5
							503480-0400	4
F	E	D	C	B	A	TAPE WIDTH	ORDER NO.	CIRCUIT

SYMBOLS ▽ = 0 ▽ = 0 ▽ = 0 ▽ = 0 ▽ = 0 ▽ = 0 ▽ = 0 ▽ = 0 ▽ = 0 ▽ = 0 ▽ = 0 ▽ = 0	THIS DRAWING CONTAINS INFORMATION THAT IS PROPRIETARY TO MOLEX ELECTRONIC TECHNOLOGIES, LLC AND SHOULD NOT BE USED WITHOUT WRITTEN PERMISSION DIMENSION UNITS: mm SCALE: 2:1 GENERAL TOLERANCES (UNLESS SPECIFIED) ANGULAR TOL ± 3.0° 4 PLACES ± 0.2 3 PLACES ± 0.25 2 PLACES ± 0.3 1 PLACE ± 0 PLACES ± DRAFT WHERE APPLICABLE MUST REMAIN WITHIN DIMENSIONS	CURRENT REV DESC: EC NO: 637378 DRWN: YRKIM 2019/10/01 CHK'D: SHCHU 2020/05/12 APPR: SHCHU 2020/06/04 INITIAL REVISION: DRWN: THIRAYAMA 2009/12/11 APPR: KMORIKAWA 2009/12/14	 0.5 FPC CONN. E/O EMBOSSSED TAPE PACKAGE PRODUCT CUSTOMER DRAWING
	DOCUMENT NUMBER: SD-503480-002 DOC TYPE: PSD DOC PART: 001 REVISION: E1	MATERIAL NUMBER: SEE TABLE CUSTOMER: GENERAL MARKET SHEET NUMBER: 1 OF 1	