

Product Change Notice: PhotoMOS® Relays RF SSOP 1 Form A CxR Series, CxR3 Series, CxR5 Series, CxR10 Voltage-Sensitive Series, Photovoltaic MOSFET Driver Series, Photovoltaic MOSFET Driver High Power Type Series

PCN.PG01.11.16.2021

11.16.2021

About This Notice:


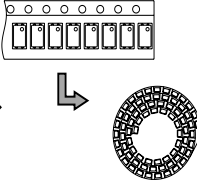
Panasonic has changed the packaging style for various PhotoMOS® Relays and Photovoltaic MOSFET Drivers Series.

Effective Date:

From October 29, 2021 production onwards.

Change Details:

Select PhotoMOS® Relays and MOSFET Driver part numbers will be changed from 150-piece tube packaging to 150 pieces cut tape packaging.

	Before	After
Shape	Tube 	Tape 
Outer carton	577 x 70 x 32 [mm]	103 x 104 x 35 [mm]

If cut tape packaging is not accepted, please consider using the 1,000 piece tape and reel packaging part numbers with 1Y suffix as an alternative.

Affected Parts:

See Attached.

Datasheet(s):

See Attached.

Notes:

This is only a packaging change that does not affect other specifications or pricing.

Panasonic PCN.PG01.11.16.2021 Affected Parts

Affected Series	Affected Part Numbers	Suggested Replacement Series	Suggested Replacement Part Numbers	Comments
PhotoMOS RF SSOP CxR10 Voltage-Sensitive	AQY221FN2V	PhotoMOS RF SSOP	AQY221FN2V1Y	If cut tape is not acceptable, please use recommended alternative 1,000 piece tape and reel alternative
PhotoMOS RF SSOP CxR10 Voltage-Sensitive	AQY221FR2V	PhotoMOS RF SSOP	AQY221FR2V1Y	If cut tape is not acceptable, please use recommended alternative 1,000 piece tape and reel alternative
PhotoMOS RF SSOP 1 Form A CxR5	AQY221N2V	PhotoMOS RF SSOP	AQY221N2V1Y	If cut tape is not acceptable, please use recommended alternative 1,000 piece tape and reel alternative
PhotoMOS RF SSOP 1 Form A CxR5	AQY221N3V	PhotoMOS RF SSOP	AQY221N3V1Y	If cut tape is not acceptable, please use recommended alternative 1,000 piece tape and reel alternative
PhotoMOS RF SSOP 1 Form A CxR3	AQY221N5V	PhotoMOS RF SSOP	AQY221N5V1Y	If cut tape is not acceptable, please use recommended alternative 1,000 piece tape and reel alternative
PhotoMOS RF SSOP 1 Form A CxR5	AQY221R2V	PhotoMOS RF SSOP	AQY221R2V1Y	If cut tape is not acceptable, please use recommended alternative 1,000 piece tape and reel alternative
PhotoMOS RF SSOP 1 Form A CxR5	AQY221R4V	PhotoMOS RF SSOP	AQY221R4V1Y	If cut tape is not acceptable, please use recommended alternative 1,000 piece tape and reel

PhotoMOS RF SSOP 1 Form A CxR5	AQY221R6V	PhotoMOS RF SSOP	AQY221R6V1Y	alternative If cut tape is not acceptable, please use recommended alternative 1,000 piece tape and reel alternative
PhotoMOS RF SSOP 1 Form A CxR	AQY222R2V	PhotoMOS RF SSOP	AQY222R2V1Y	If cut tape is not acceptable, please use recommended alternative 1,000 piece tape and reel alternative
PhotoMOS RF SSOP 1 Form A CxR	AQY225R2V	PhotoMOS RF SSOP	AQY225R2V1Y	If cut tape is not acceptable, please use recommended alternative 1,000 piece tape and reel alternative
PhotoMOS RF SSOP 1 Form A CxR	AQY225R3V	PhotoMOS RF SSOP	AQY225R3V1Y	If cut tape is not acceptable, please use recommended alternative 1,000 piece tape and reel alternative
Photovoltaic MOSFET Driver	APV2111V	Photovoltaic MOSFET Driver	APV2111V1Y	If cut tape is not acceptable, please use recommended alternative 1,000 piece tape and reel alternative
Photovoltaic MOSFET Driver,High Power Type	APV3111GV	Photovoltaic MOSFET Driver	APV3111GV1Y	If cut tape is not acceptable, please use recommended alternative 1,000 piece tape and reel alternative
Photovoltaic MOSFET Driver,High Power Type	APV1111GV	Photovoltaic MOSFET Driver	APV1111GV1Y	If cut tape is not acceptable, please use recommended alternative 1,000 piece tape and reel alternative