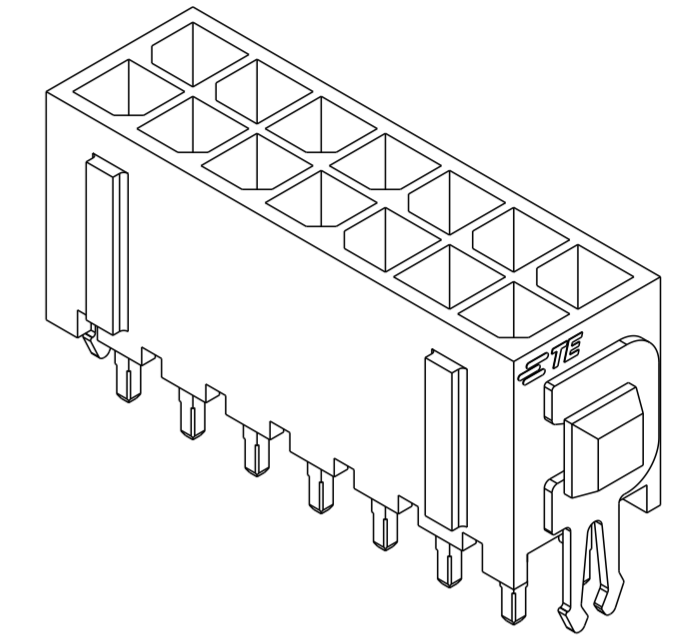
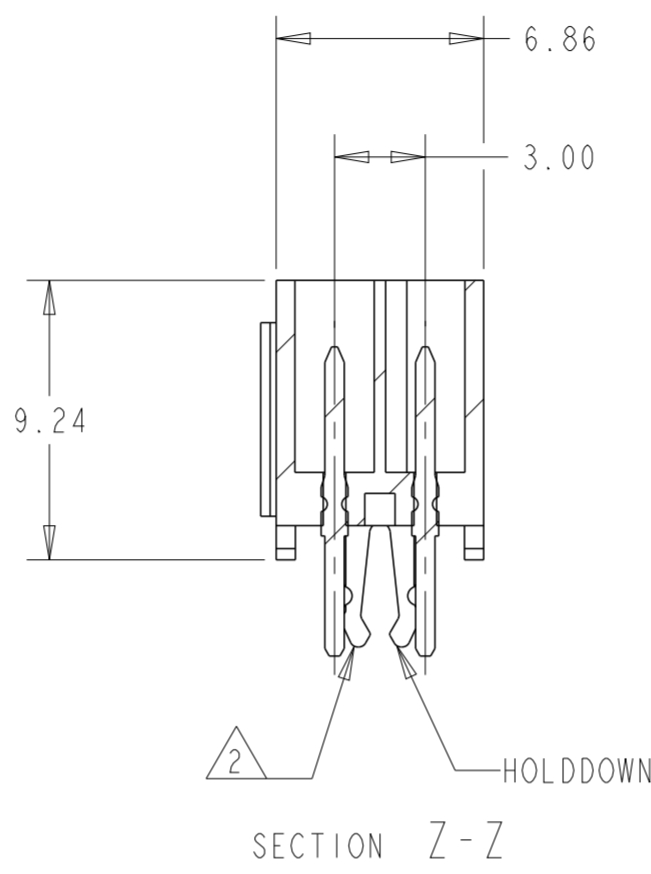
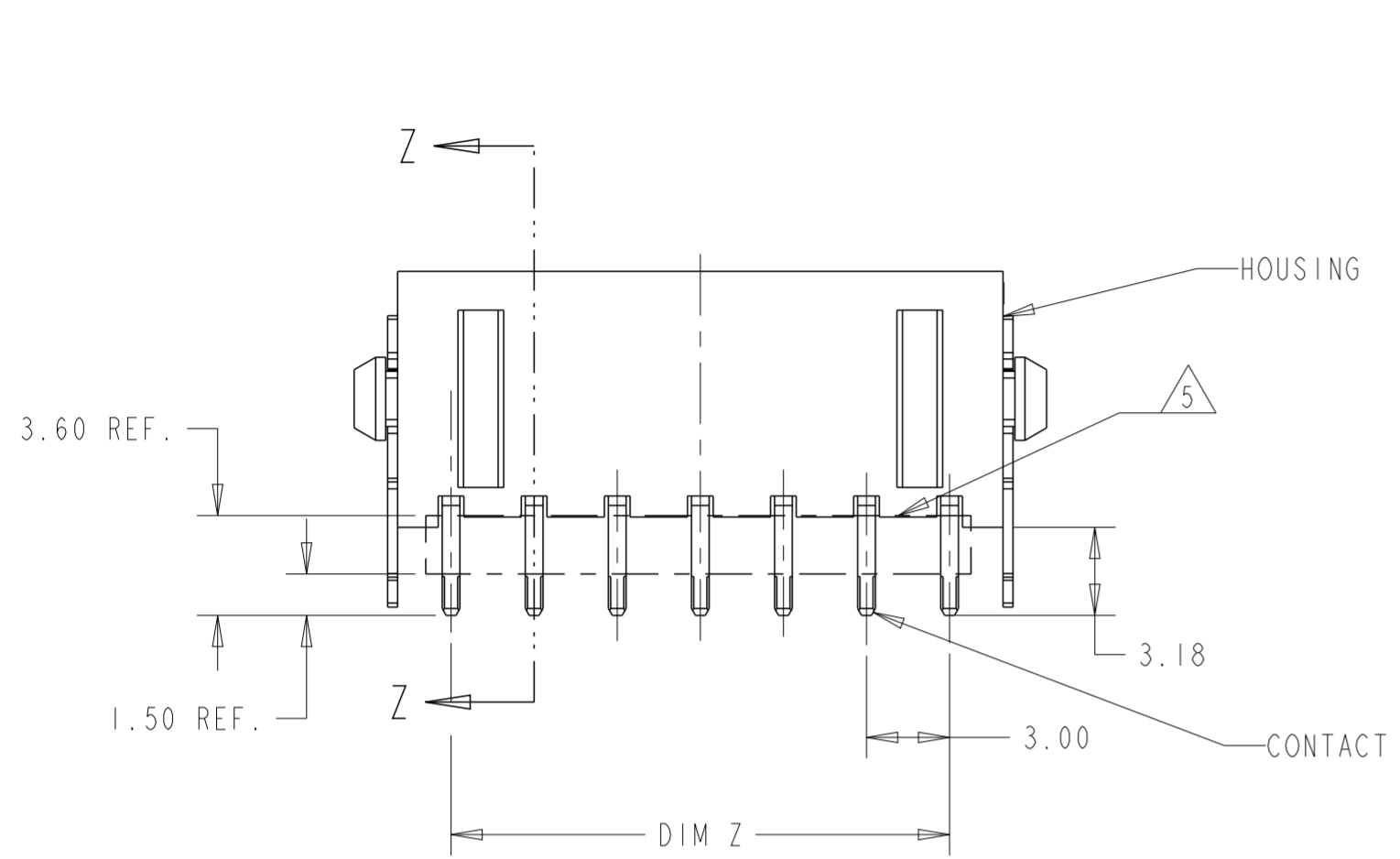
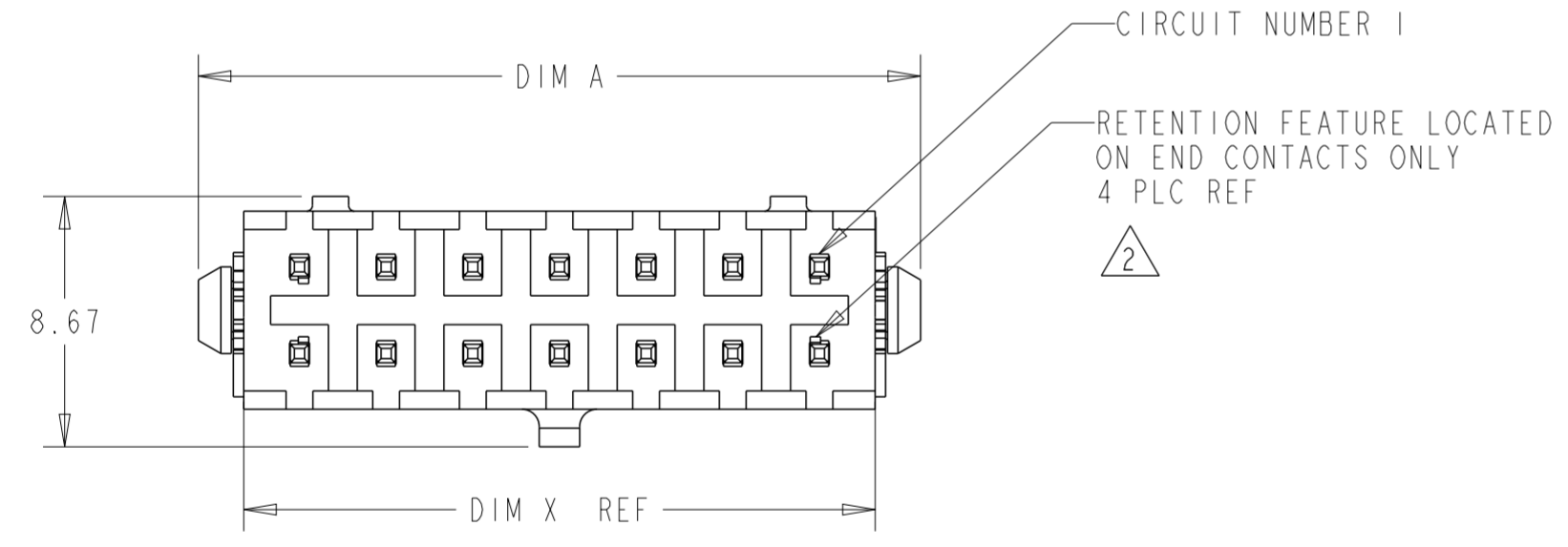


THIS DRAWING IS UNPUBLISHED. RELEASED FOR PUBLICATION  
 © COPYRIGHT 20 BY - ALL RIGHTS RESERVED.

| REVISIONS |     |                           |           |     |      |
|-----------|-----|---------------------------|-----------|-----|------|
| P         | LTR | DESCRIPTION               | DATE      | DWN | APVD |
| F5        |     | REVISED PER ECN-22-160768 | 24JUN2022 | WLS | VS   |
|           |     |                           |           |     |      |
|           |     |                           |           |     |      |



- 1 MATERIAL: HOUSING - UL 94V-0 RATED HIGH TEMP. NYLON, COLOR BLACK.  
CONTACT - BRASS.  
HOLD DOWNS - PHOSPHOR BRONZE.
- 2 MAXIMUM INSERTION 30 LBS.
- 3 RECOMMENDED BOARD THICKNESS 1.57.
- 4 FINISH: CONTACT - 0.38µm MINIMUM GOLD ON MATING AREA.  
2.54µm MINIMUM MATTE TIN ON SOLDER TAILS.  
ALL OVER 1.27µm MINIMUM NICKEL.  
HOLDDOWNS - 2.54µm MINIMUM MATTE TIN OVER 1.27 MINIMUM NICKEL .
- 5 CUTTING AREA REGION, NO PLATING IS PRESENT.
- 6 COUNTERPART RECOMMENDED IS PN 794617 (DASH ACCORDING TO NUMBER OF POSITION).
- 7 FOR REELING DIRECTION AND PACKAGING TYPE, SEE SPECIFICATION 114-13000.

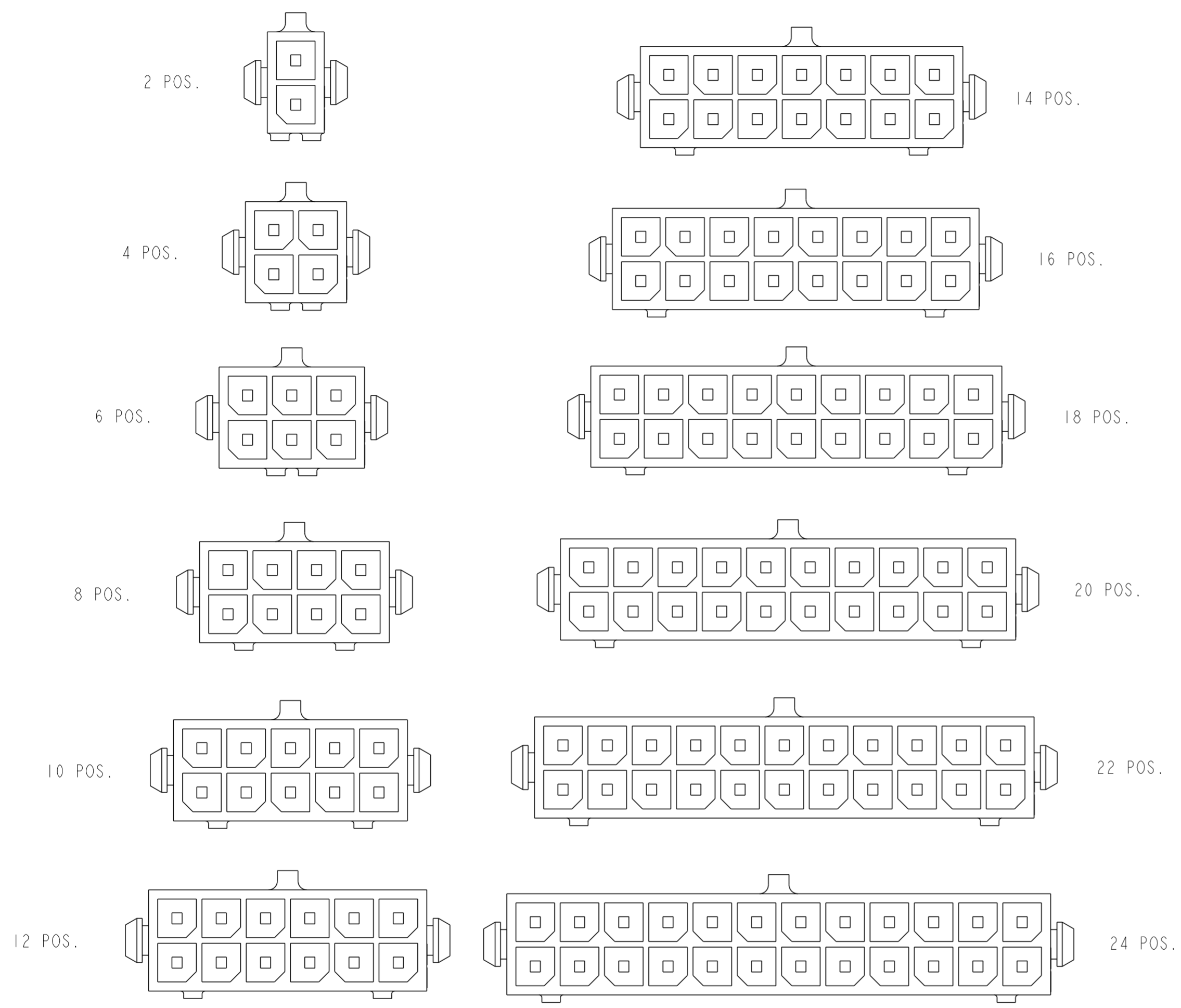


|       |       |       |       |              |             |
|-------|-------|-------|-------|--------------|-------------|
| 40.00 | 33.00 | 37.30 | 36.86 | 24           | 5-794681-4  |
| 37.00 | 30.00 | 34.30 | 33.86 | 22           | 5-794681-2  |
| 34.00 | 27.00 | 31.30 | 30.86 | 20           | 5-794681-0  |
| 31.00 | 24.00 | 28.30 | 27.86 | 18           | 4-794681-8  |
| 28.00 | 21.00 | 25.30 | 24.86 | 16           | 4-794681-6  |
| 25.00 | 18.00 | 22.30 | 21.86 | 14           | 4-794681-4  |
| 22.00 | 15.00 | 19.30 | 18.86 | 12           | 4-794681-2  |
| 19.00 | 12.00 | 16.30 | 15.86 | 10           | 4-794681-0  |
| 16.00 | 9.00  | 13.30 | 12.86 | 8            | 3-794681-8  |
| 13.00 | 6.00  | 10.30 | 9.86  | 6            | 3-794681-6  |
| 10.00 | 3.00  | 7.30  | 6.86  | 4            | 3-794681-4  |
| 7.00  | -     | 4.30  | 3.86  | 2            | 3-794681-2  |
| DIM A | DIM Z | DIM Y | DIM X | NO. OF POSN. | PART NUMBER |

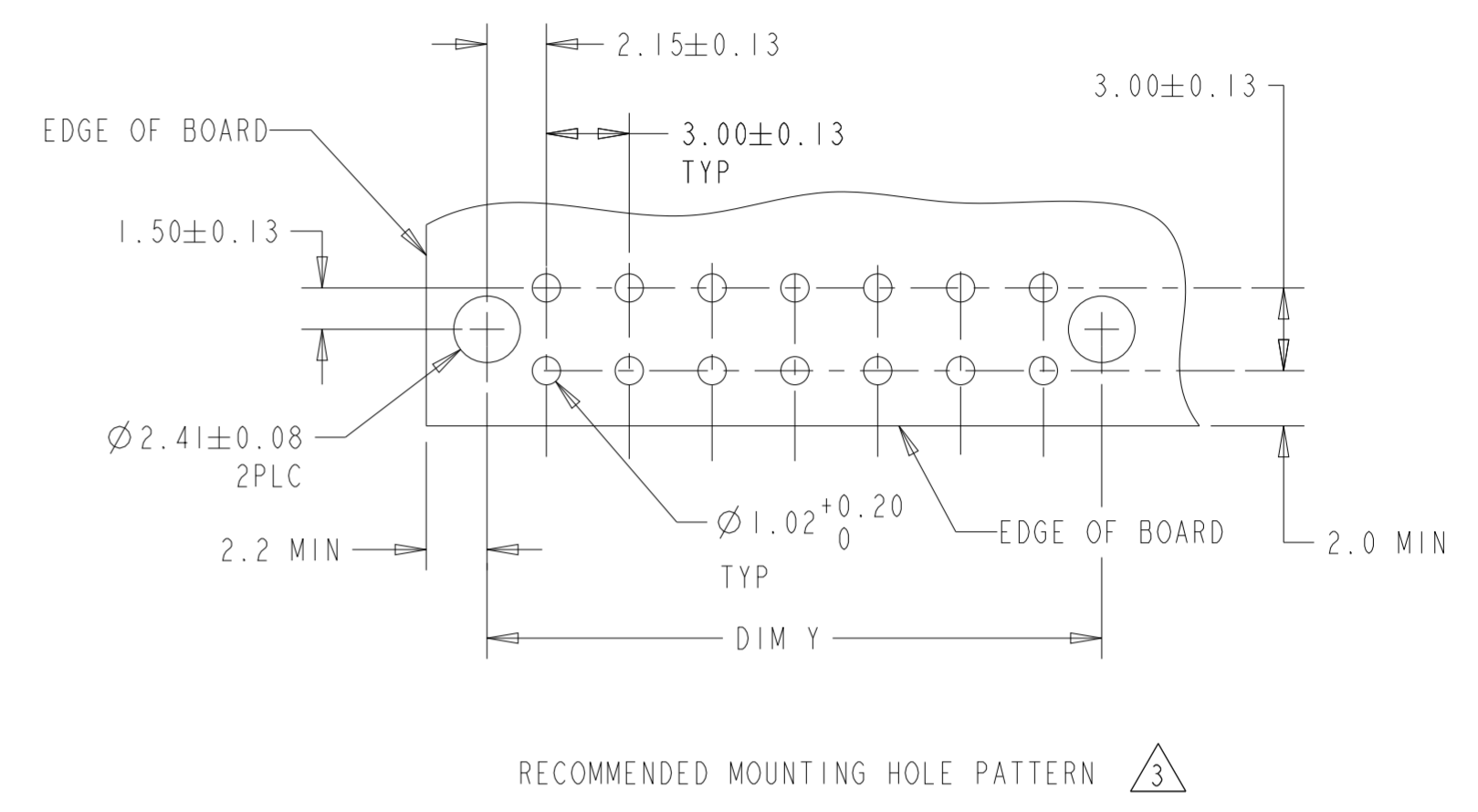
|   |  |                               |   |                    |                        |
|---|--|-------------------------------|---|--------------------|------------------------|
| THIS DRAWING IS A CONTROLLED DOCUMENT.                  |  | DWN<br>B. HAYMAKER<br>17AUG99 | TE Connectivity   |                    |                        |
| DIMENSIONS:<br>mm                                       |  | CHK<br>K. COBLE<br>17AUG99    |   |                    |                        |
| TOLERANCES UNLESS OTHERWISE SPECIFIED:                  |  | APVD<br>K. COBLE<br>17AUG99   | NAME<br>VERTICAL HEADER ASSEMBLY,<br>THRU HOLE, 15 GOLD, DUAL ROW,<br>MICRO MATE-N-LOK™ |                    |                        |
| 0 PLC ±<br>1 PLC ±<br>2 PLC ±0.20<br>3 PLC ±<br>4 PLC ± |  | PRODUCT SPEC<br>108-1836      | SIZE<br>A2  | CAGE CODE<br>00779 | DRAWING NO<br>G-794681 |
| ANGLES ±1°<br>FINISH                                    |  | APPLICATION SPEC<br>114-13000 | RESTRICTED TO   |                    |                        |
| MATERIAL  |  | WEIGHT<br>-                   | SCALE<br>4:1  | SHEET<br>1 OF 2    | REV<br>F5              |
| CUSTOMER DRAWING  |  |                               |   |                    |                        |

THIS DRAWING IS UNPUBLISHED. RELEASED FOR PUBLICATION  
 © COPYRIGHT 20 BY - ALL RIGHTS RESERVED.

| REVISIONS |     |             |      |      |
|-----------|-----|-------------|------|------|
| P         | LTR | DESCRIPTION | DATE | APVD |
| -         | -   | SEE SHEET 1 | -    | -    |
|           |     |             |      |      |
|           |     |             |      |      |



KEYING BY POSITION SIZE



|  |       |                               |  |                    |   |       |       |       |   |       |   |        |     |        |   |                          |            |                    |
|--|-------|-------------------------------|--|--------------------|---|-------|-------|-------|---|-------|---|--------|-----|--------|---|--------------------------|------------|--------------------|
| THIS DRAWING IS A CONTROLLED DOCUMENT.   |       | DWN<br>B. HAYMAKER<br>17AUG99 | TE Connectivity  |                    |   |       |       |       |   |       |   |        |     |        |   |                          |            |                    |
| DIMENSIONS:<br>mm  |       | CHK<br>K. COBLE<br>17AUG99    |  |                    |   |       |       |       |   |       |   |        |     |        |   |                          |            |                    |
| TOLERANCES UNLESS OTHERWISE SPECIFIED:   |       | APVD<br>K. COBLE<br>17AUG99   | NAME<br>VERTICAL HEADER ASSEMBLY,<br>THRU HOLE, 15 GOLD, DUAL ROW,<br>MICRO MATE-N-LOK |                    |   |       |       |       |   |       |   |        |     |        |   |                          |            |                    |
| <table border="0"> <tr> <td>0 PLC</td><td>±</td></tr> <tr> <td>1 PLC</td><td>±</td></tr> <tr> <td>2 PLC</td><td>±0.20</td></tr> <tr> <td>3 PLC</td><td>±</td></tr> <tr> <td>4 PLC</td><td>±</td></tr> <tr> <td>ANGLES</td><td>±1°</td></tr> <tr> <td>FINISH</td><td>-</td></tr> </table> |       | 0 PLC                         | ±  | 1 PLC              | ± | 2 PLC | ±0.20 | 3 PLC | ± | 4 PLC | ± | ANGLES | ±1° | FINISH | - | PRODUCT SPEC<br>108-1836 | SIZE<br>A2 | CAGE CODE<br>00779 |
| 0 PLC  | ±     |                               |  |                    |   |       |       |       |   |       |   |        |     |        |   |                          |            |                    |
| 1 PLC  | ±     |                               |  |                    |   |       |       |       |   |       |   |        |     |        |   |                          |            |                    |
| 2 PLC  | ±0.20 |                               |  |                    |   |       |       |       |   |       |   |        |     |        |   |                          |            |                    |
| 3 PLC  | ±     |                               |  |                    |   |       |       |       |   |       |   |        |     |        |   |                          |            |                    |
| 4 PLC  | ±     |                               |  |                    |   |       |       |       |   |       |   |        |     |        |   |                          |            |                    |
| ANGLES   | ±1°   |                               |  |                    |   |       |       |       |   |       |   |        |     |        |   |                          |            |                    |
| FINISH   | -     |                               |  |                    |   |       |       |       |   |       |   |        |     |        |   |                          |            |                    |
| MATERIAL<br>-  |       | APPLICATION SPEC<br>114-13000 | DRAWING NO<br>G-794681   | RESTRICTED TO<br>- |   |       |       |       |   |       |   |        |     |        |   |                          |            |                    |
| -  |       | WEIGHT<br>-                   | SCALE 4:1 SHEET 2 OF 2 REV F5  |                    |   |       |       |       |   |       |   |        |     |        |   |                          |            |                    |
| -  |       | CUSTOMER DRAWING              |  |                    |   |       |       |       |   |       |   |        |     |        |   |                          |            |                    |