

F

E

D

C

B

A

F

E

D

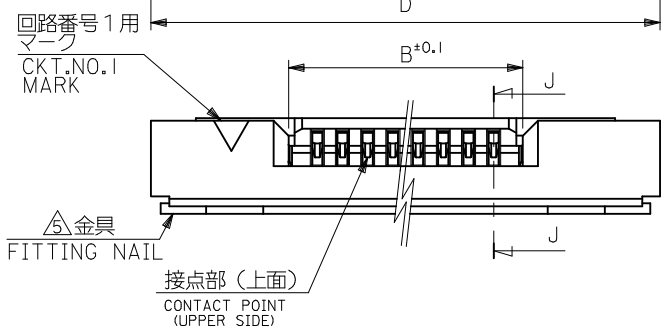
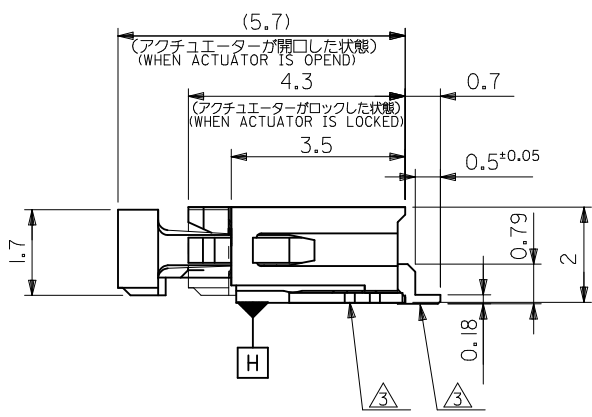
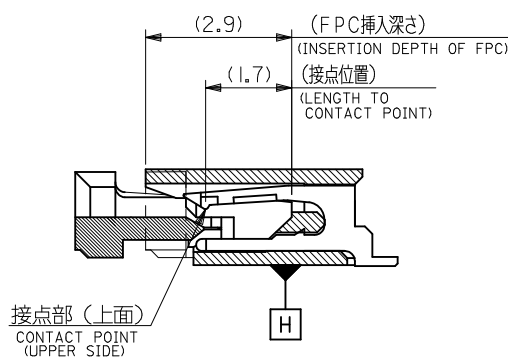
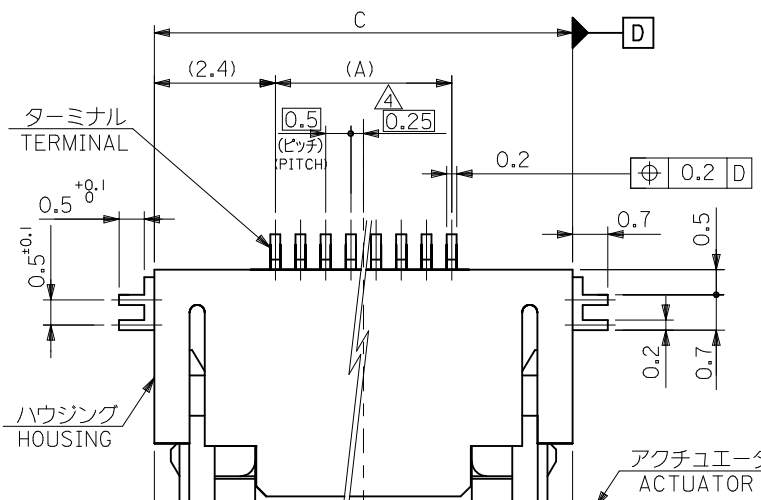
C

B

A

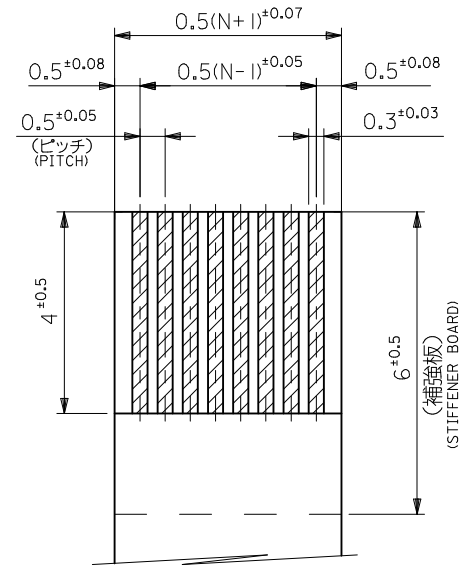
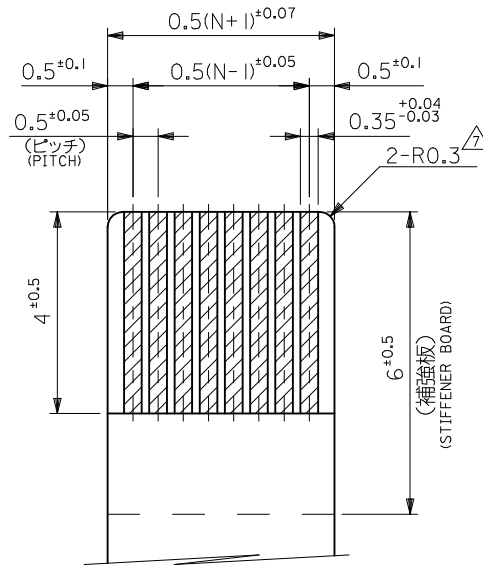
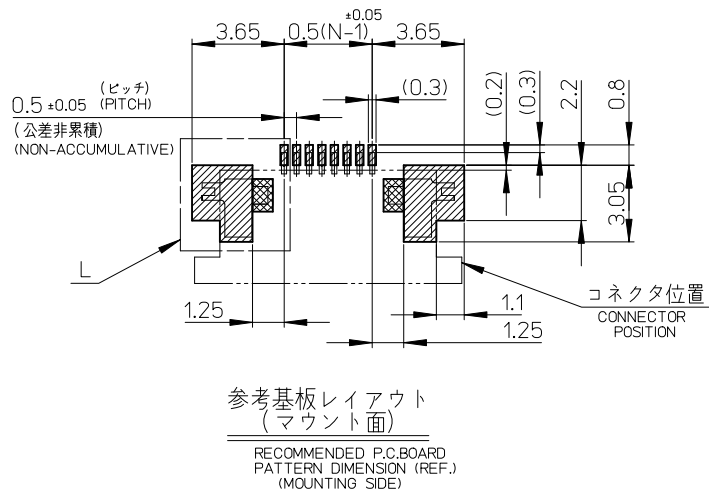
注記 NOTES

1. 使用材料 MATERIAL
 ハウジング : ポリアミド46、ガラス充填、UL94V-0 (白)
 HOUSING : POLYAMIDE46, GLASS FILLED, UL94V-0(WHITE)
 アクチュエータ : ポリフェニレンサルファイド ガラス充填、UL94V-0 (黒)
 ACTUATOR : POLYPHENYLENE SULFIDE ,GLASS FILLED, UL94V-0(BLACK)
 ターミナル : リン青銅、ニッケル下地純ビスマスメッキ (t=0.2)
 TERMINAL : PHOSPOR BRONZE ,TIN-BISMUTH OVER NICKEL PLATING
 金具 : リン青銅、ニッケル下地純銅メッキ (t=0.2)
 FITTING NAIL : PHOSPOR BRONZE,TIN OVER NICKEL PLATING
2. エンボステープ梱包時は、アクチュエータがロックした状態とする。
 IN THE PACKAGE,ACTUATOR OF PART NO. 52745-**19 SHOULD BE LOCKED.
- △ ソルダーテール半田付け面のズレ量、及び金具半田付け面のズレ量は、基準面 H に対し上方向 0.1 MAX. 下方向 0.15 MAX. とする。
 MISALIGNMENT OF SOLDER TAILS AND FITTING NAILS FROM H UPPER DIRECTION: 0.1 MAX. , LOWER DIRECTION: 0.15MAX.
- △ 偶数極に適用。
 APPLY FOR EVEN CIRCUIT.
- △ パターンはくり止め用金具
 FITTING NAIL FOR PREVENTION OF PEELING OF P.C.B. PATTERN.
6. 本製品は 52745-**17 の鉛フリー品である。
 THIS PRODUCT IS LEAD FREE OF 52745-**17
- △ RO.3は、FPCの導体部にかからないこと。
 RO.3 MUST NOT BE OVERLAPPED TO PATTERN OF FPC.



| | | | | | | |
|------|------|-------|-----|----------------|--------------|---------|
| 16.1 | 14.3 | 10.65 | 9.5 | 52745-2096 | 52745-2019 | 20 |
| 15.6 | 13.8 | 10.15 | 9.0 | -1996 | -1919 | 19 |
| 15.1 | 13.3 | 9.65 | 8.5 | △ -1896 | △ -1819 | 18 |
| 14.6 | 12.8 | 9.15 | 8.0 | -1796 | -1719 | 17 |
| 14.1 | 12.3 | 8.65 | 7.5 | -1696 | -1619 | 16 |
| 13.6 | 11.8 | 8.15 | 7.0 | -1596 | -1519 | 15 |
| 13.1 | 11.3 | 7.65 | 6.5 | -1496 | -1419 | 14 |
| 12.6 | 10.8 | 7.15 | 6.0 | -1396 | -1319 | 13 |
| 12.1 | 10.3 | 6.65 | 5.5 | -1296 | -1219 | 12 |
| 11.6 | 9.8 | 6.15 | 5.0 | -1196 | -1119 | 11 |
| 11.1 | 9.3 | 5.65 | 4.5 | -1096 | -1019 | 10 |
| 10.6 | 8.8 | 5.15 | 4.0 | -0996 | -0919 | 9 |
| 10.1 | 8.3 | 4.65 | 3.5 | -0896 | -0819 | 8 |
| 9.6 | 7.8 | 4.15 | 3.0 | △ -0796 | △ -0719 | 7 |
| 9.1 | 7.3 | 3.65 | 2.5 | -0696 | -0619 | 6 |
| 8.1 | 6.3 | 2.65 | 1.5 | 52745-0496 | 52745-0419 | 4 |
| D | C | B | (A) | EMBOSSED TAPE | MATERIAL NO. | 極数 |
| | | | | ORDER No. オダー番 | | CIRCUIT |

| | | | | | | |
|--|--|-------|----------------------------|-------------------|--------------------------------|------------------------|
| REVISED EC NO: J2011-0806 DRWN: JEBI SAWA 2010/12/13 CHKD: TAKAHASHI 2010/12/14 APPR: KMORIKAWA 2010/12/17 | GENERAL TOLERANCES (UNLESS SPECIFIED) | | DIMENSION STYLE MM ONLY | SCALE --- | DESIGN UNITS METRIC | 52745-**19 MODEL NO. |
| | 10 UNDER | ±0.2 | DRAWN BY T. UENO | DATE '04/01/28 | TITLE 0.5 FPC CONN ASSY ZIF | THIRD ANGLE PROJECTION |
| | 10 OVER 30 UNDER | ±0.25 | CHECKED BY M. SASAO | DATE '04/01/28 | UPR CONT | |
| | 30 OVER | ±0.3 | APPROVED BY M. SASAO | DATE '04/01/28 | -LEAD FREE- | MOLEX INCORPORATED |
| | ANGULAR ±3 ° | | MATERIAL NO. | DOCUMENT NO. | SHEET NO. | |
| | DRAFT WHERE APPLICABLE MUST REMAIN WITHIN DIMENSIONS | | SIZE A3 | SEE TABLE | SD-52745-048 | 1 OF 2 |

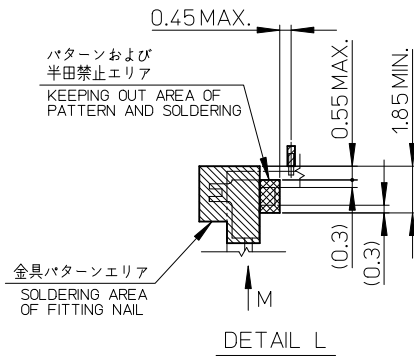
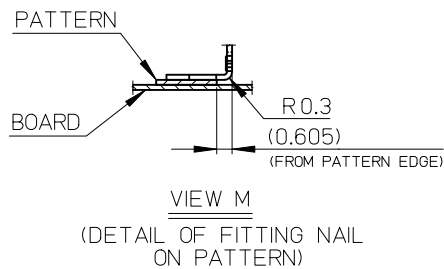


適合FPC推奨寸法
 APPLICABLE FPC
 RECOMMENDED DIMENSION
 (仕上がり厚さ: 0.3±0.03)
 (THICKNESS: 0.3±0.03)

適合FFC推奨寸法
 APPLICABLE FFC
 RECOMMENDED DIMENSION
 (仕上がり厚さ: 0.3±0.03)
 (THICKNESS: 0.3±0.03)

FPCについて:
 打抜き方向は導体側から補強板側を推奨致します。
 補強フィルム材質はポリイミドを推奨致します。
 接着剤は熱硬化接着剤を推奨致します。

ABOUT FPC:
 RECOMMENDED PUNCHER DIRECTION: FROM CONDUCTOR SIDE TO STIFFENER BOARD SIDE.
 RECOMMENDED MATERIAL: STIFFENER FILM: POLYIMIDE
 BONDING AGENT: THERMOSETTING BONDING AGENT

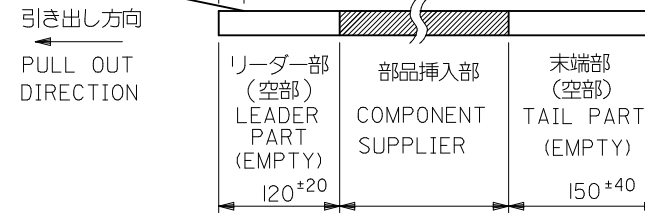
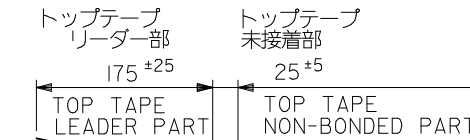


52745-**-19 MODEL NO.

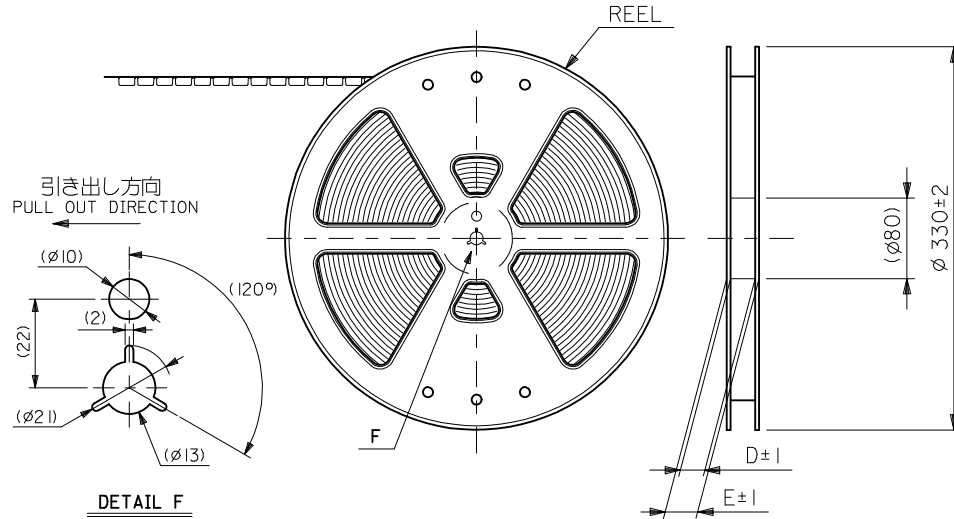
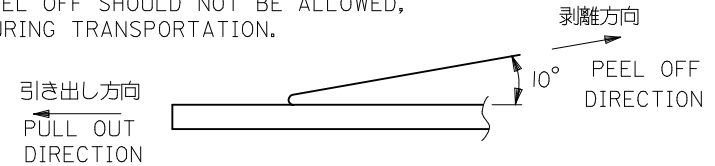
| | | | | | | |
|---|---|-------|----------------------------|-------------------|---|------------------------------|
| REVISED EC NO: J2011-0806 DRWN: JEBI SAWA 2010/12/13 CHKD: TAKAHASHI 2010/12/14 APPR: KMORI KAWA 2010/12/17 | GENERAL TOLERANCES (UNLESS SPECIFIED) | | DIMENSION STYLE MM ONLY | SCALE --- | DESIGN UNITS METRIC | THIRD ANGLE PROJECTION |
| | 10 UNDER | ±0.2 | DRAWN BY T. UENO | DATE '04/01/28 | TITLE 0.5 FPC CONN ASSY ZIF UPR CONT -LEAD FREE- | |
| | 10 OVER 30 UNDER | ±0.25 | CHECKED BY M. SASAO | DATE '04/01/28 | MOLEX INCORPORATED | |
| | 30 OVER | ±0.3 | APPROVED BY M. SASAO | DATE '04/01/28 | MATERIAL NO. SEE SHEET 1 | DOCUMENT NO. SD-52745-048 |
| DESCRIPTION ANGULAR ±3 ° DRAFT WHERE APPLICABLE MUST REMAIN WITHIN DIMENSIONS | THIS DRAWING CONTAINS INFORMATION THAT IS PROPRIETARY TO MOLEX INCORPORATED AND SHOULD NOT BE USED WITHOUT WRITTEN PERMISSION | | | | | |

注記 NOTES

- 製品番号 52745-**-19 の梱包状態はアクチュエータがロックした状態とする。
詳細寸法については図面 SD-52745-048 を参照下さい。
IN THE PACKAGE,ACTUATOR OF PART NO.52745-**-19 SHOULD BE LOCKED
RE DETAILED DIMENSIONS,SEE SD-52745-048.
- 梱包数量：1000個/リール
NUMBER OF CONNECTORS:1000PCS/REEL
- リードテープ長さ LEAD TAPE LENGTH



- トップテープの剥離強度：(剥離方向は下図参照)
0.1N~1.3N(10gf~130gf) 尚、本規格値は、出荷時に適用。
(但し、輸送時に剥離が発生しない事。)
PEELING OFF FORCE OF TOP TAPE:
0.1N~1.3N(10gf~130gf)(PEELING DIRECTION AS SHOWN IN FOLLOWING FIG.)
THIS REQUIREMENT SHOULD BE APPLIED AT SHIPMENT
PEEL OFF SHOULD NOT BE ALLOWED,
DURING TRANSPORTATION.



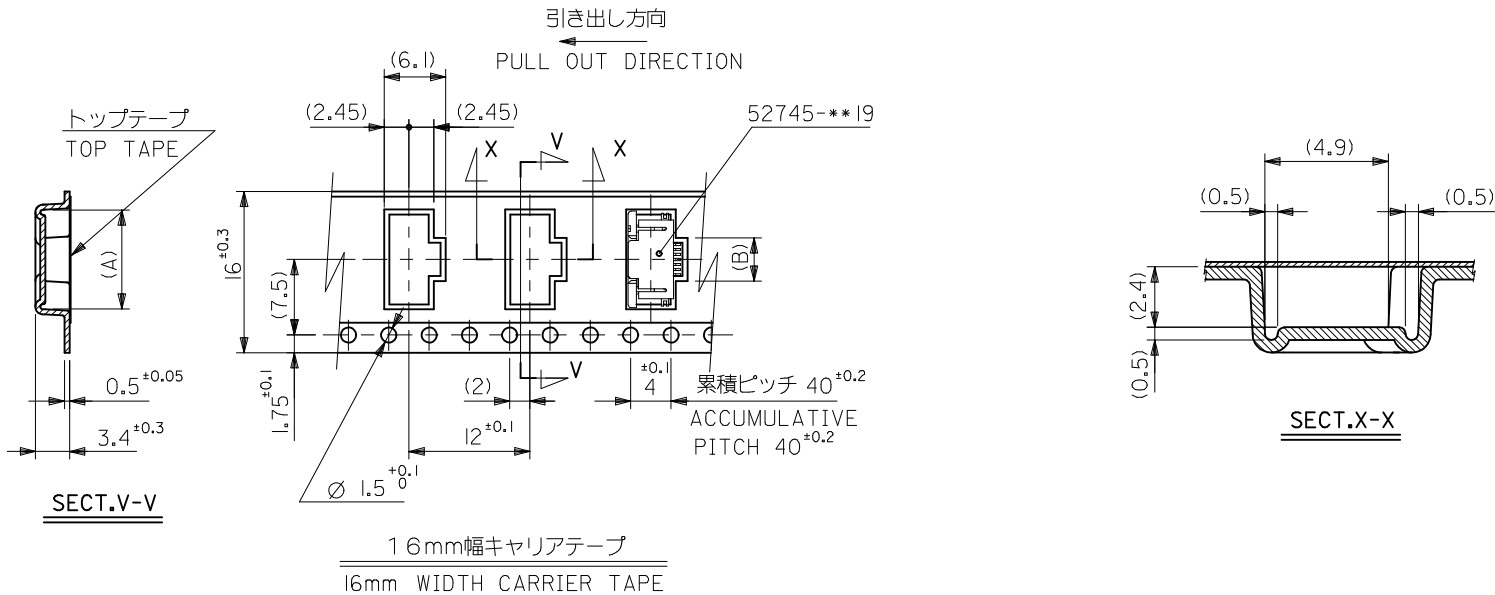
- 材料
キャリアテープ:ポリプロピレン (PP)
トップテープ:PET, PE, PEF
リール:ポリスチレン (PS) <リサイクル材を含む>
MATERIAL CARRIER TAPE:POLYPROPYLENE
TOP TAPE:PET,PE,PEF
REEL:POLYSTYRENE(PS)
<RECYCLE MATERIAL CONTAINED>

- 本製品は 52745-**-90 の鉛フリー品である。
THIS PRODUCT IS LEAD FREE OF 52745-**-90

- 本製品は乾燥剤入り、ハイバリア梱包仕様である。
THIS PRODUCT IS HIGH BARRIER PACKAGE WITH DESICCANT.

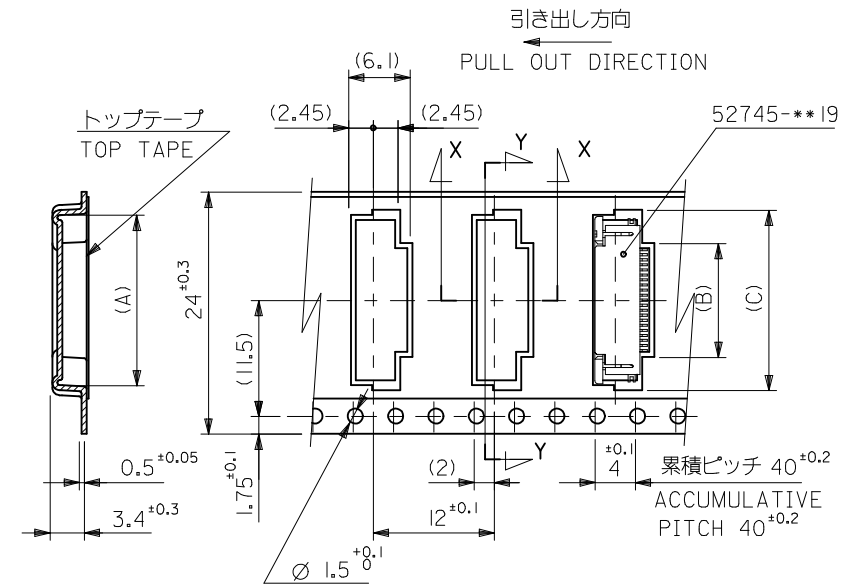
52745-**-96 MODEL NO.

| | | | | | | | |
|--|--|------------|---|--------------------|---|------------------------------|------------------------|
| REVISED EC NO: J2009-2061 DRWN:TKON 2009/05/20 CHKD:HMATSUMOTO 2009/05/21 APPR:NIKI ITA 2009/05/21 | GENERAL TOLERANCES (UNLESS SPECIFIED) | | DIMENSION STYLE MM ONLY | | SCALE --- | DESIGN UNITS METRIC | THIRD ANGLE PROJECTION |
| | 10 UNDER | ± 0.2 | DRAWN BY T. UENO | DATE 2004/01/08 | TITLE 0.5 FPC CONN UPR CONT EMBSTP PKG -LEAD FREE- | | |
| | 10 OVER 30 UNDER | ± 0.25 | CHECKED BY M. SASAO | DATE 2004/01/08 | MOLEX INCORPORATED | | |
| | 30 OVER | ± 0.3 | APPROVED BY M. SASAO | DATE 2004/01/08 | MATERIAL NO. SEE SHEET 2,3 | DOCUMENT NO. SD-52745-049 | SHEET NO. 1 OF 3 |
| REV | ANGULAR $\pm 3^\circ$ | | THIS DRAWING CONTAINS INFORMATION THAT IS PROPRIETARY TO MOLEX INCORPORATED AND SHOULD NOT BE USED WITHOUT WRITTEN PERMISSION | | | | |
| | DRAFT WHERE APPLICABLE MUST REMAIN WITHIN DIMENSIONS | | | | | | |



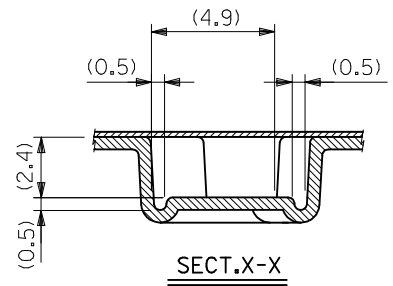
| | | | | | | | |
|--------------------------------|------|------|------|-----|-----|--------------|---------------|
| 16 | 21.4 | 17.4 | 17.5 | 2.8 | 8.4 | 52745-0496 | 4 |
| キャリアテープ幅 CARRIER TAPE WIDTH | E | D | (C) | (B) | (A) | MATERIAL NO. | 極数 CIRCUIT |

| | | | | | | | | | | | |
|--|--|-------|------------------------------------|------------|--|--|------------------------|--|-------------------------|--|--|
| REVISED EC NO: J2009-2061 DRWN:TKGN 2009/05/20 CHKD:HMATSUMOTO 2009/05/21 APPR:NUKITA 2009/05/21 | GENERAL TOLERANCES (UNLESS SPECIFIED) | | DIMENSION STYLE MM ONLY | | SCALE --- | | DESIGN UNITS METRIC | | 52745-***96 MODEL NO. | | |
| | 10 UNDER | ±0.2 | DRAWN BY | DATE | TITLE | | | | | | |
| | 10 OVER 30 UNDER | ±0.25 | T. UENO | 2004/01/08 | 0.5 FPC CONN UPR CONT | | | | | | |
| | 30 OVER | ±0.3 | CHECKED BY | DATE | EMBSTP PKG | | | | | | |
| B REV | ANGULAR ±3° | | APPROVED BY M. SASAO 2004/01/08 | | MOLEX INCORPORATED | | THIRD ANGLE PROJECTION | | SHEET NO. | | |
| | DRAFT WHERE APPLICABLE MUST REMAIN WITHIN DIMENSIONS | | MATERIAL NO. | | SEE TABLE | | DOCUMENT NO. | | 2 OF 3 | | |
| | | | SIZE A3 | | THIS DRAWING CONTAINS INFORMATION THAT IS PROPRIETARY TO MOLEX INCORPORATED AND SHOULD NOT BE USED WITHOUT WRITTEN PERMISSION | | | | | | |



SECT.Y-Y

24mm幅キャリアテープ
24mm WIDTH CARRIER TAPE



| | | | | | | | |
|--------------------------------|------|------|------------|------|------|--------------|---------------|
| 24 | 29.4 | 25.4 | 17.4 | 10.8 | 16.4 | 52745-2096 | 20 |
| | | | 16.9 | 10.3 | 15.9 | -1996 | 19 |
| | | | 16.4 | 9.8 | 15.4 | -1896 | 18 |
| | | | 15.9 | 9.3 | 14.9 | -1796 | 17 |
| | | | 15.4 | 8.8 | 14.4 | -1696 | 16 |
| | | | 14.9 | 8.3 | 13.9 | -1596 | 15 |
| | | | 14.4 | 7.8 | 13.4 | -1496 | 14 |
| | | | 13.9 | 7.3 | 12.9 | -1396 | 13 |
| | | | 13.4 | 6.8 | 12.4 | -1296 | 12 |
| | | | 12.9 | 6.3 | 11.9 | -1196 | 11 |
| | | | 12.4 | 5.8 | 11.4 | -1096 | 10 |
| | | | 11.9 | 5.3 | 10.9 | -0996 | 9 |
| | | | 11.4 | 4.8 | 10.4 | -0896 | 8 |
| 10.9 | 4.3 | 9.9 | -0796 | 7 | | | |
| 10.4 | 3.8 | 9.4 | 52745-0696 | 6 | | | |
| キャリアテープ幅 CARRIER TAPE WIDTH | E | D | (C) | (B) | (A) | MATERIAL NO. | 極数 CIRCUIT |

| | | | | | | | |
|---|---|-------|--|--------------------|---|------------------------------|------------------------|
| REVISED EC NO.: J2009-2061 DRWN:TKON 2009/05/20 CHKD:HMATSUMOTO 2009/05/21 APPR:NUKITA 2009/05/21 | GENERAL TOLERANCES (UNLESS SPECIFIED) | | DIMENSION STYLE MM ONLY | | SCALE --- | DESIGN UNITS METRIC | THIRD ANGLE PROJECTION |
| | 10 UNDER | ±0.2 | DRAWN BY T.UENO | DATE 2004/01/08 | TITLE 0.5 FPC CONN UPR CONT EMBSTP PKG -LEAD FREE- | | |
| | 10 OVER 30 UNDER | ±0.25 | CHECKED BY M.SASAO | DATE 2004/01/08 | MOLEX INCORPORATED | | |
| | 30 OVER | ±0.3 | APPROVED BY M.SASAO | DATE 2004/01/08 | MATERIAL NO. SEE TABLE | DOCUMENT NO. SD-52745-049 | SHEET NO. 3 OF 3 |
| | ANGULAR ±3° DRAFT WHERE APPLICABLE MUST REMAIN WITHIN DIMENSIONS | | THIS DRAWING CONTAINS INFORMATION THAT IS PROPRIETARY TO MOLEX INCORPORATED AND SHOULD NOT BE USED WITHOUT WRITTEN PERMISSION | | | | |