

Customer Information Sheet

DRAWING No.: M50-363XX42X

IF IN DOUBT - ASK

©

NOT TO SCALE

THIRD ANGLE PROJECTION

ALL DIMENSIONS IN mm

SPECIFICATION:

MATERIAL:
 MOULDING = PA9T, UL94V-0, BLACK
 CONTACT = BRASS
 FINISH = 0.76-1.52µm NICKEL ALL OVER,
 0.012µm MIN GOLD ON CONTACT AREA,
 2.54-5.08µm 100% TIN ON TAILS

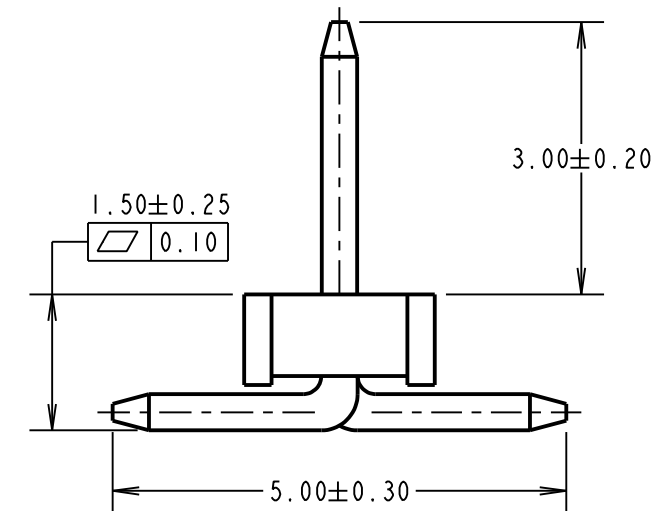
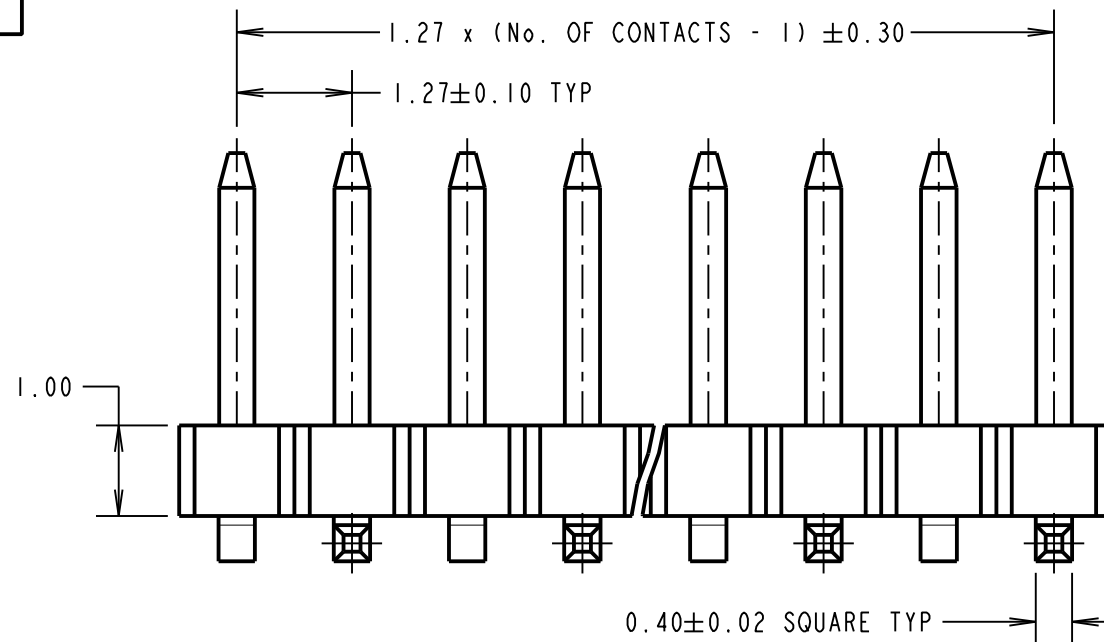
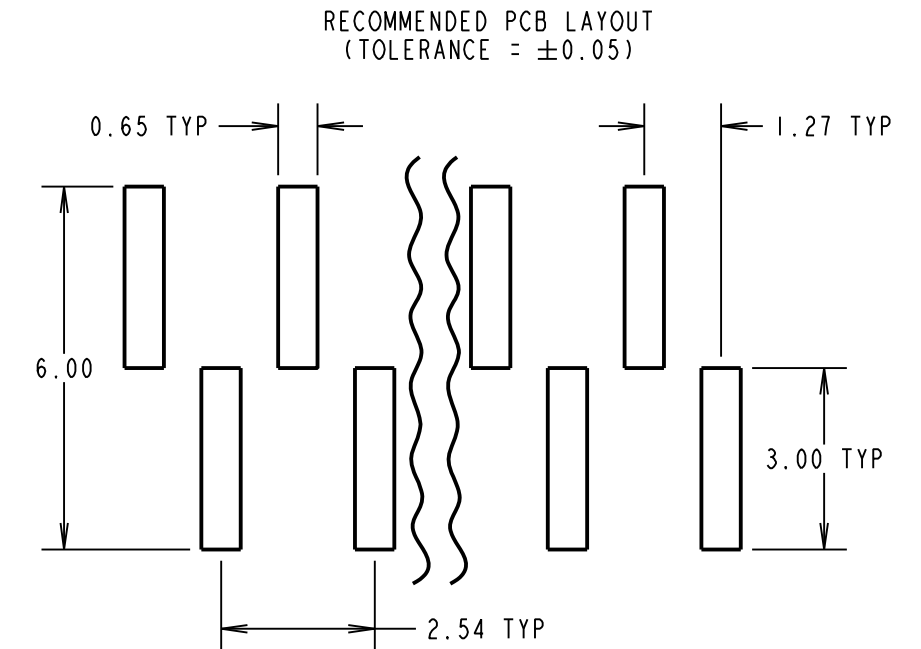
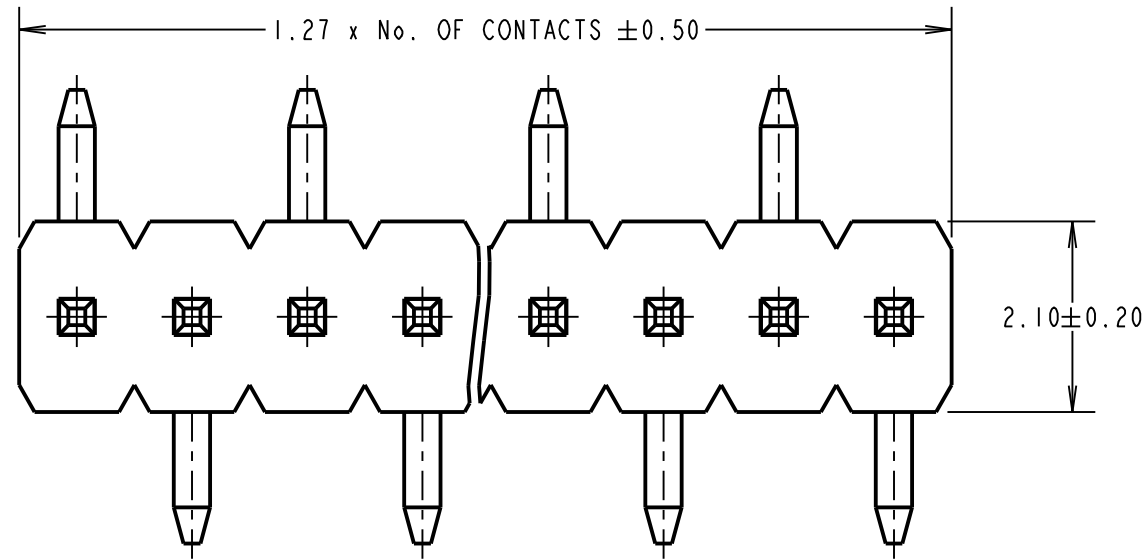
ELECTRICAL:
 CURRENT RATING = 1A
 CONTACT RESISTANCE = 20mΩ MAX
 INSULATION RESISTANCE = 1000MΩ MAX
 VOLTAGE PROOF = 500V AC FOR ONE MINUTE

MECHANICAL:
 DURABILITY = 500 CYCLES

ENVIRONMENTAL:
 OPERATING TEMPERATURE = -40°C TO +105°C

PACKING:
 SEE ORDER CODE
 FOR COMPLETE SPECIFICATION, SEE COMPONENT
 SPECIFICATION C029XX (LATEST ISSUE)

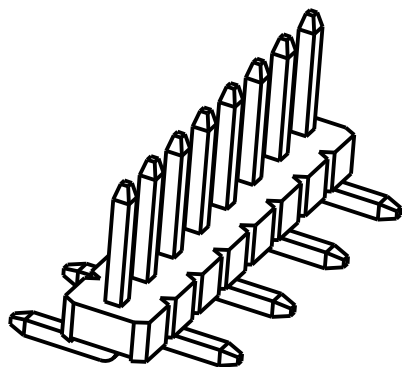
NOTES:
 1. FOR TAPE AND REEL DETAILS, SEE SHEET 4.



ORDER CODE:
M50-363XX42X

No. OF CONTACTS: _____
 02 TO 06, 08, 10, 20

PACKING: _____
 BLANK = TUBE
 R = TAPE AND REEL (SHEET 4)



| | | | |
|------------------|------|----------|--------|
| MGP | 2 | 14.01.19 | 21740 |
| NAME | ISS. | DATE | C/NOTE |
| APPROVED: MGP | | | |
| CHECKED: SB | | | |
| DRAWN: S.BENNETT | | | |
| CUSTOMER REF.: | | | |
| ASSEMBLY DRG: | | | |

| | | | | |
|---|---|---|-------------------------------|--|
| <p>www.harwin.com technical@harwin.com</p> | THIS DRAWING AND ANY INFORMATION OR DESCRIPTIVE MATTER SET OUT HEREON ARE CONFIDENTIAL AND COPYRIGHT PROPERTY OF THE HARWIN GROUP AND MUST NOT BE DISCLOSED, LOANED, COPIED OR USED FOR MANUFACTURING, TENDERING OR FOR ANY OTHER PURPOSE WITHOUT THEIR WRITTEN PERMISSION. | TOLERANCES X. = ±1mm X.X = ±0.50mm X.XX = ±0.10mm X.XXX = ±0.01mm ANGLES = ±5° UNLESS STATED | MATERIAL: SEE ABOVE | TITLE: 1.27mm PITCH, SIL VERTICAL SMT HEADER |
| | | | FINISH: SEE ABOVE | DRAWING NUMBER: M50-363XX42X |

Customer Information Sheet

DRAWING No.: M50-363XX42X

IF IN DOUBT - ASK

©

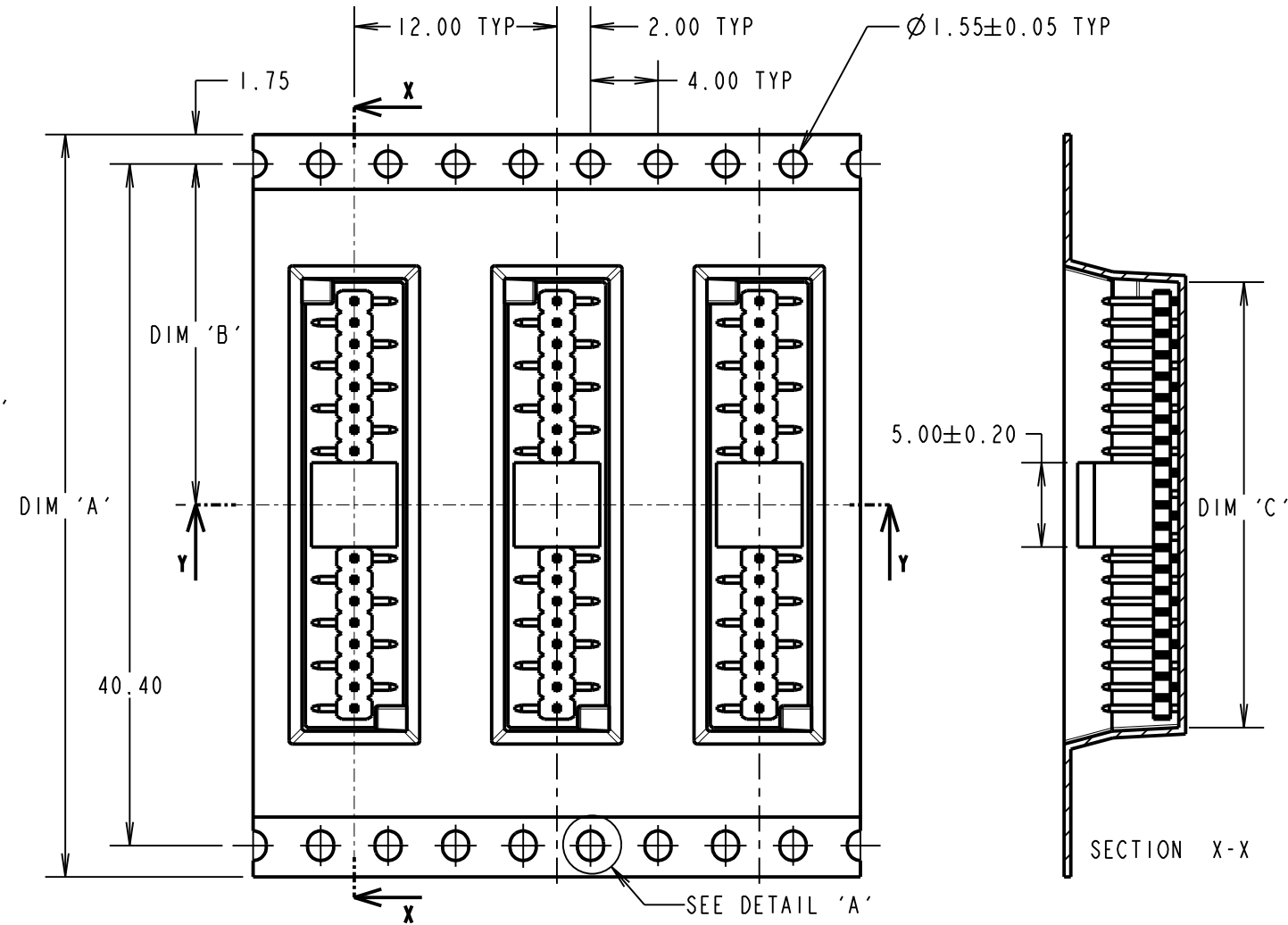
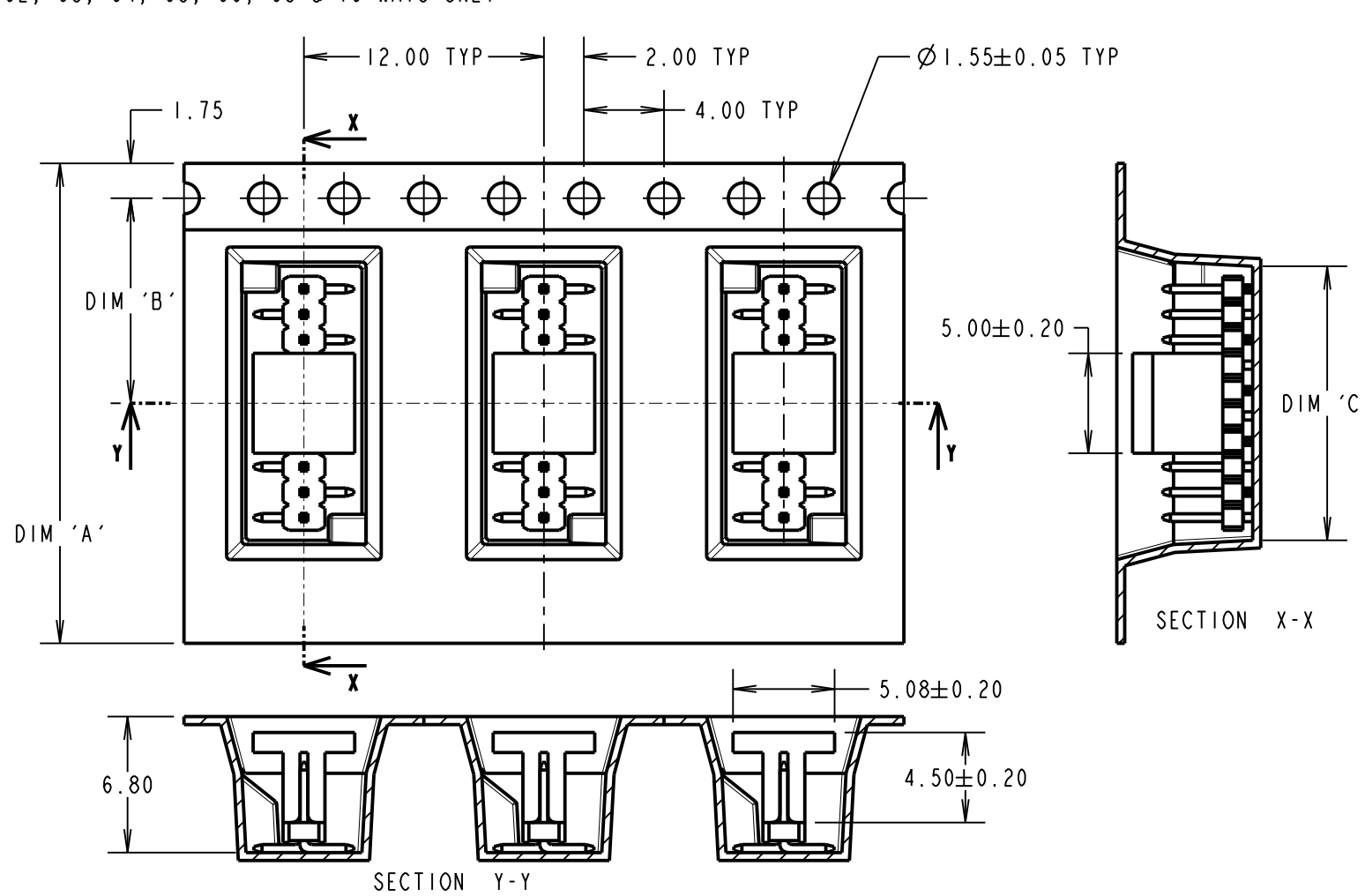
NOT TO SCALE

THIRD ANGLE PROJECTION

ALL DIMENSIONS IN mm

TAPE DETAILS FOR
02, 03, 04, 05, 06, 08 & 10 WAYS ONLY

TAPE DETAILS FOR 20 WAY ONLY

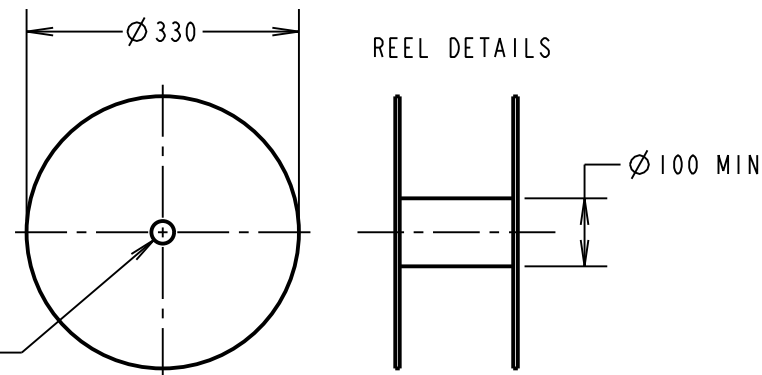
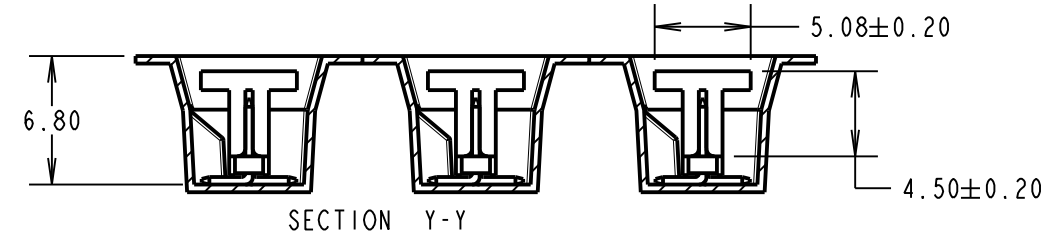
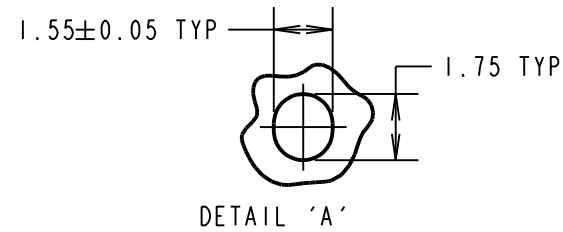


- NOTES:
1. FOR CONNECTOR DETAILS AND SPECIFICATIONS, SEE SHEET 3.
2. PRODUCT IS TAPE AND REELED IN GENERAL ACCORDANCE WITH EIA-481 (ELECTRAL INDUSTRIES ASSOCIATION).

ORDER CODE: **M50-363XX42X**

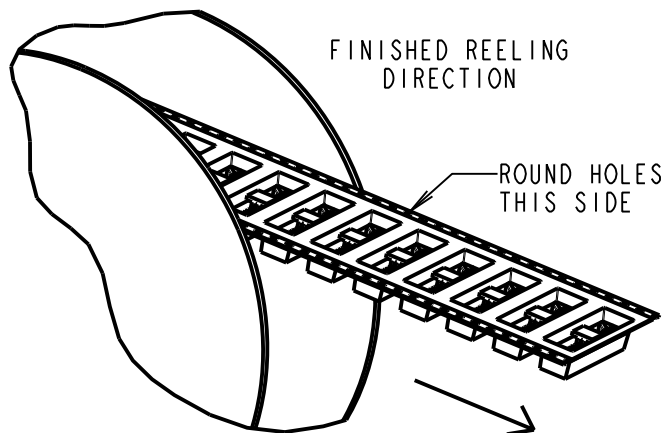
No. OF CONTACTS: _____
02 TO 06, 08, 10, 20

PACKING: _____
BLANK = TUBE
R = TAPE AND REEL (SHEET 1)



| PART No. | DIMENSION | | | REEL QUANTITY |
|--------------|------------|---------|------------|---------------|
| | DIM 'A' | DIM 'B' | DIM 'C' | |
| M50-3630242R | 16.00±0.30 | 7.50 | 3.54 | 800 |
| M50-3630342R | | | 4.81 | |
| M50-3630442R | | | 6.08 | |
| M50-3630542R | | | 7.35 | |
| M50-3630642R | | | 8.62 | |
| M50-3630842R | | | 11.16 | |
| M50-3631042R | 13.70 | 26.40 | | |
| M50-3632042R | 44.00±0.30 | | 20.20±0.15 | |

| | | | |
|------------------|------|----------|--------|
| MGP | 2 | 14.01.19 | 21740 |
| NAME | ISS. | DATE | C/NOTE |
| APPROVED: MGP | | | |
| CHECKED: SB | | | |
| DRAWN: S.BENNETT | | | |
| CUSTOMER REF.: | | | |
| ASSEMBLY DRG: | | | |



HARWIN

www.harwin.com
technical@harwin.com

THIS DRAWING AND ANY INFORMATION OR DESCRIPTIVE MATTER SET OUT HEREON ARE CONFIDENTIAL AND COPYRIGHT PROPERTY OF THE HARWIN GROUP AND MUST NOT BE DISCLOSED, LOANED, COPIED OR USED FOR MANUFACTURING, TENDERING OR FOR ANY OTHER PURPOSE WITHOUT THEIR WRITTEN PERMISSION.

TOLERANCES
X. = ±1mm
X.X = ±0.50mm
X.XX = ±0.10mm
X.XXX = ±0.01mm
ANGLES = ±5°
UNLESS STATED

MATERIAL: SEE ABOVE
FINISH: SEE ABOVE
S/AREA: mm²

TITLE: 1.27mm PITCH, SIL VERTICAL SMT HEADER
DRAWING NUMBER: **M50-363XX42X**
SHT 4 OF 4