

PCN Number:	20160823001	PCN Date:	Sept. 2, 2016
Title:	Carrier Tape Change for select TSSOP Package Device		
Customer Contact:	PCN Manager	Dept:	Quality Services
Proposed 1st Ship Date:	Mar. 2, 2017		
Change Type:			
<input type="checkbox"/>	Assembly Site	<input type="checkbox"/>	Assembly Process
<input type="checkbox"/>	Design	<input type="checkbox"/>	Electrical Specification
<input type="checkbox"/>	Test Site	<input checked="" type="checkbox"/>	Packing/Shipping/Labeling
<input type="checkbox"/>	Wafer Bump Site	<input type="checkbox"/>	Wafer Bump Material
<input type="checkbox"/>	Wafer Fab Site	<input type="checkbox"/>	Wafer Fab Materials
		<input type="checkbox"/>	Assembly Materials
		<input type="checkbox"/>	Mechanical Specification
		<input type="checkbox"/>	Test Process
		<input type="checkbox"/>	Wafer Bump Process
		<input type="checkbox"/>	Wafer Fab Process
		<input type="checkbox"/>	Part number change

PCN Details

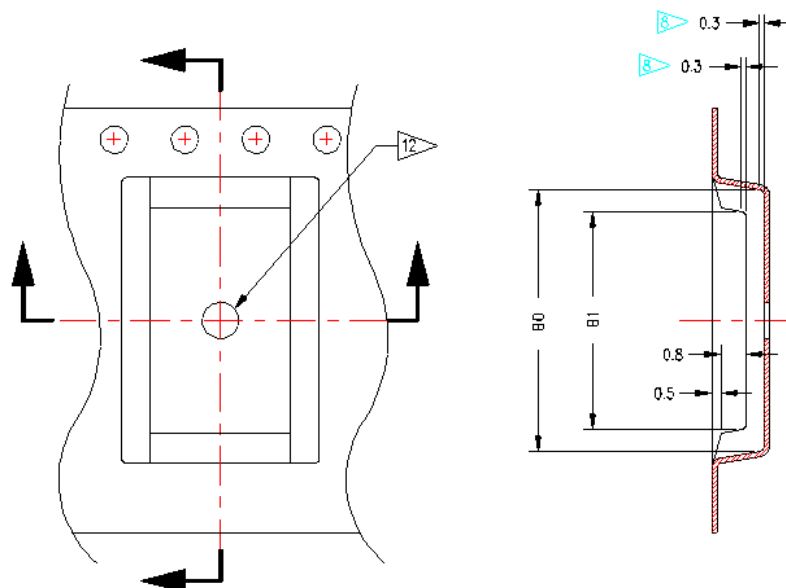
Description of Change:

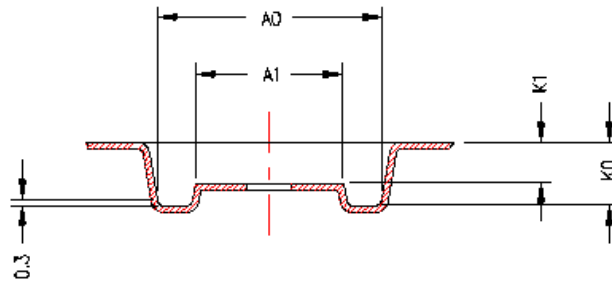
Texas Instruments is pleased to announce the qualification of a new carrier tape for select TSSOP Package Device. The material composition between the 2 carrier tapes is the same. A dimensional comparison summary is below:

Carrier tape Dimensions:

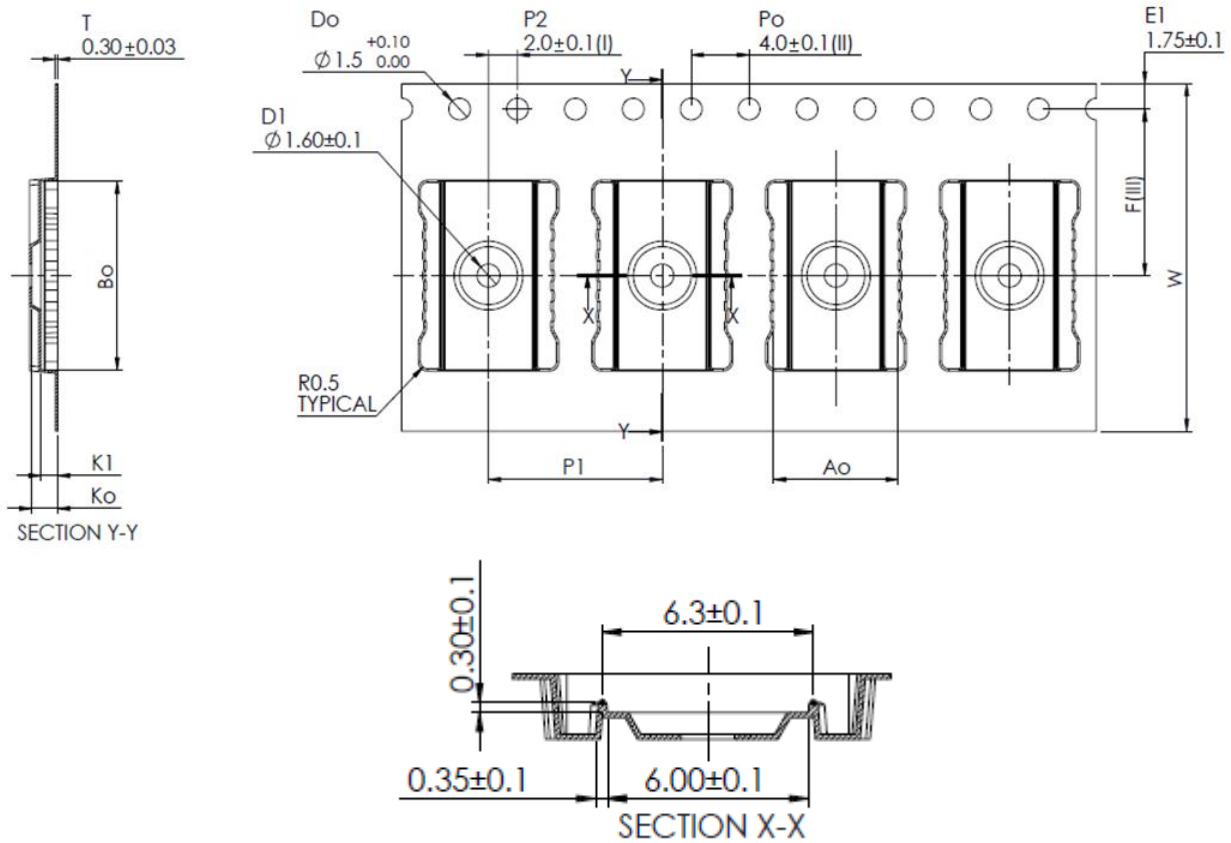
Dimension	From	To
Part No.	4068850-0015	4212589-0040
A0	8.60 (+/- 0.1) mm	8.60 (+/- 0.1) mm
B0	15.80 (+/- 0.1) mm	13.00 (+/- 0.1) mm
K0	1.80 (+/- 0.1) mm	1.80 (+/- 0.1) mm
K1	1.30 (+/- 0.1) mm	1.15 (+/- 0.1) mm
W	24.00 (+/- 0.3) mm	24.00 (+/- 0.3) mm

Current Design:





Proposed Design:



Reason for Change:

Quality Improvement

Anticipated impact on Fit, Form, Function, Quality or Reliability (positive / negative):

None

Changes to product identification resulting from this PCN:

New Carrier Tape design

Product Affected:

CLVTH16245AQDGGGRQ1	CLVC16244AIDGGGRQ1	CCBT16245IDGGGRQ1
CCB3T16210QDGGGRQ1	CAVCB164245QDGGGRQ1	

Qualification Report



Revision: K

EQ# :
A/T Site: TIM 1560

Lead Package Carrier Tape Qualification Summary

Reference (QSS 003-008, 009-006, 014-102, 007-102)

Supplier:	C-PAK	
Vendor Part No:	NA	
TI Part No:	4212589-0040	(if available)
Weight/meter (g):	NA	
Material:	POLYSTYRENE	
Package Description	DGG 48	(yes/no)
Package Designator:	DGG 48	
Result:	PASS	
Date:	18th June 2016	

I. First Article Inspection Test	PASS	(Pass/Fail)
II. Manufacturability Test	PASS	
III. Dimensional Test	PASS	
IV. Camber Test	PASS	
V. Surface Resistivity Test	PASS	
VI. Fit Analysis	PASS	
VII. Drop Test	PASS	

For questions regarding this notice, e-mails can be sent to the regional contacts shown below or your local Field Sales Representative.

Location	E-Mail
USA	PCNAmericasContact@list.ti.com
Europe	PCNEuropeContact@list.ti.com
Asia Pacific	PCNAsiaContact@list.ti.com
Japan	PCNJapanContact@list.ti.com