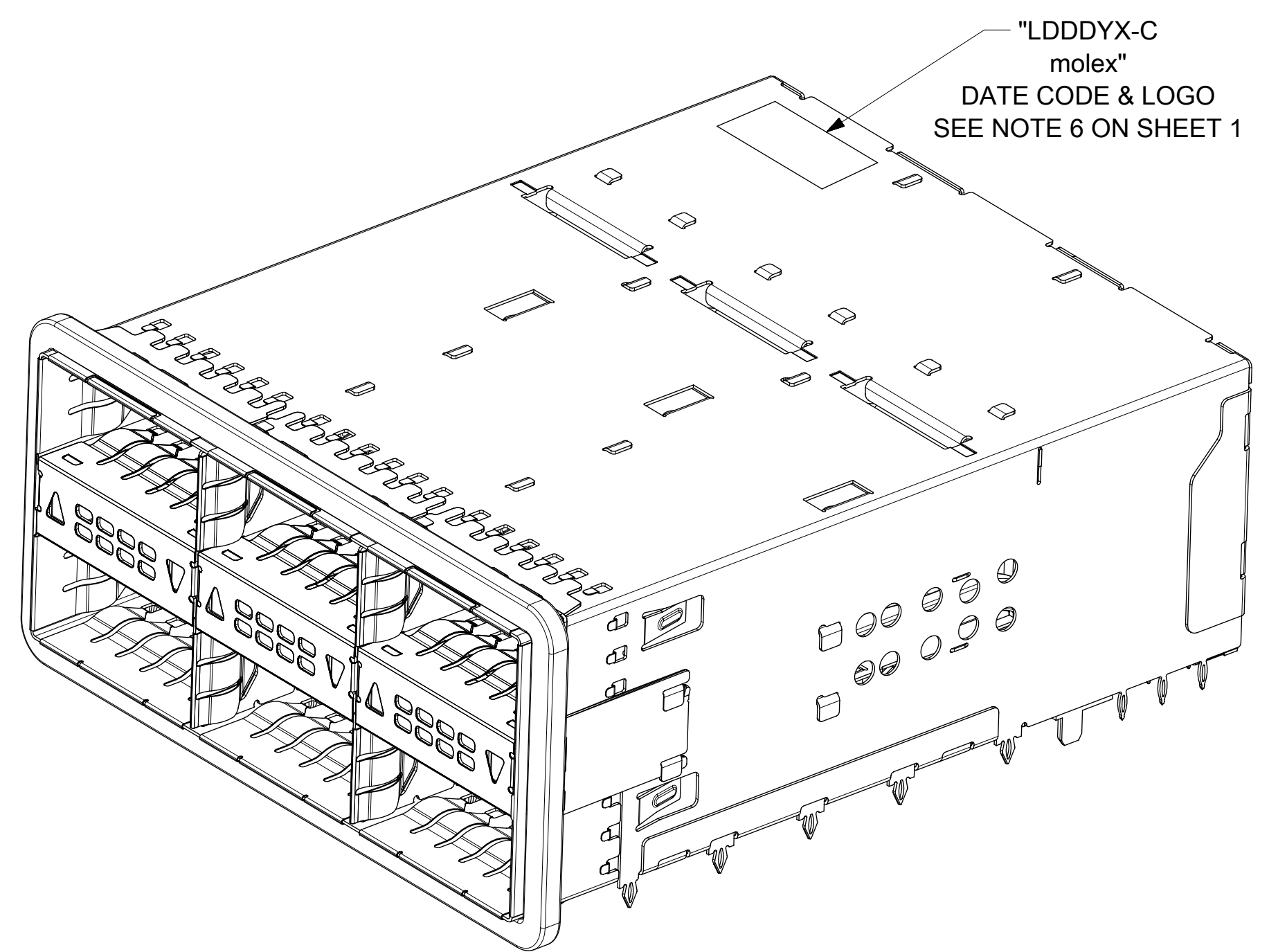
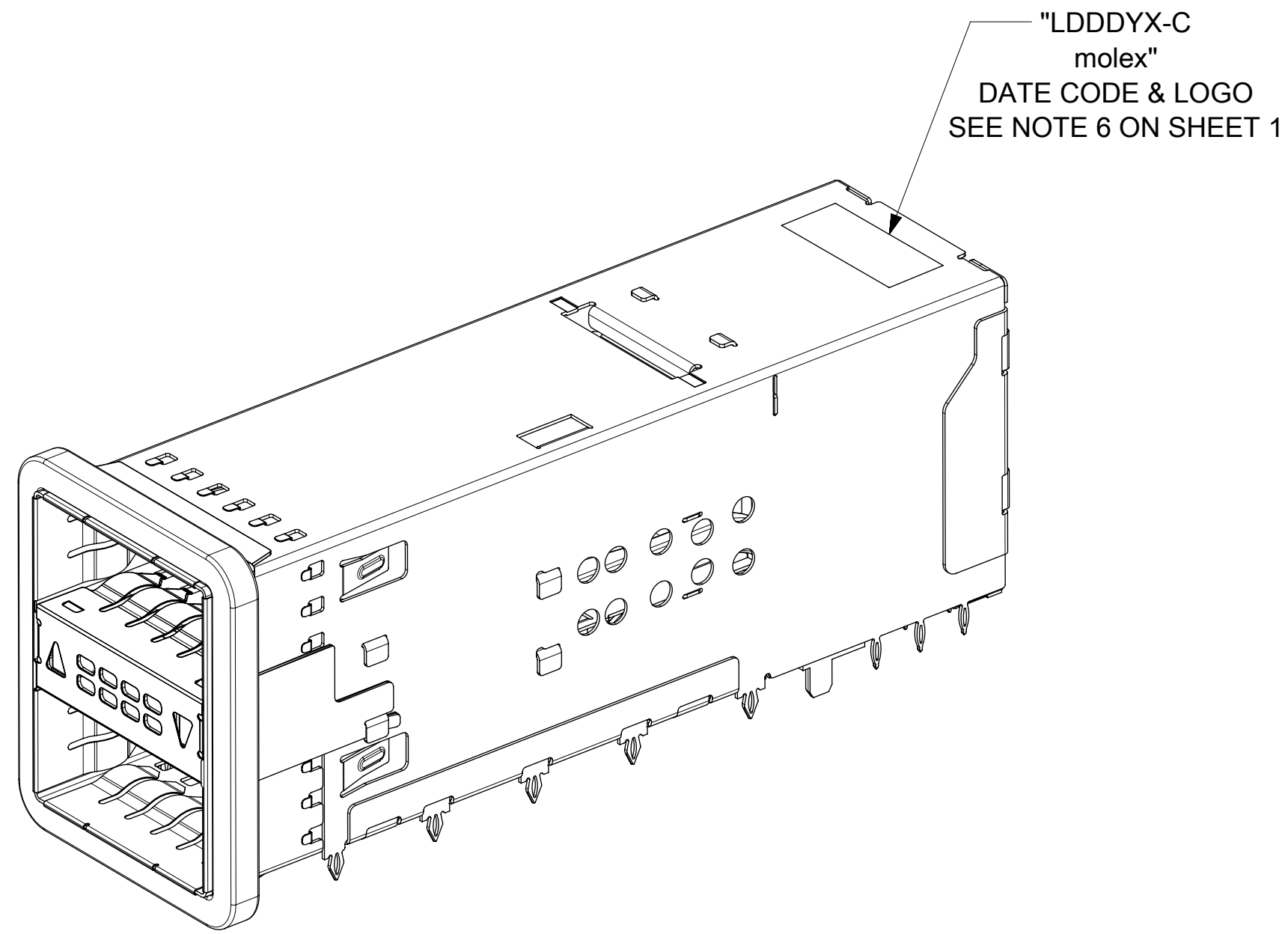




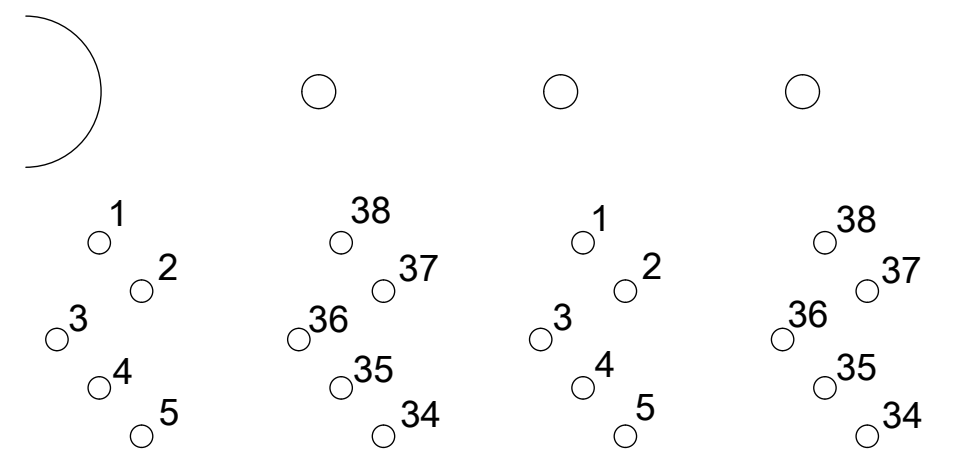
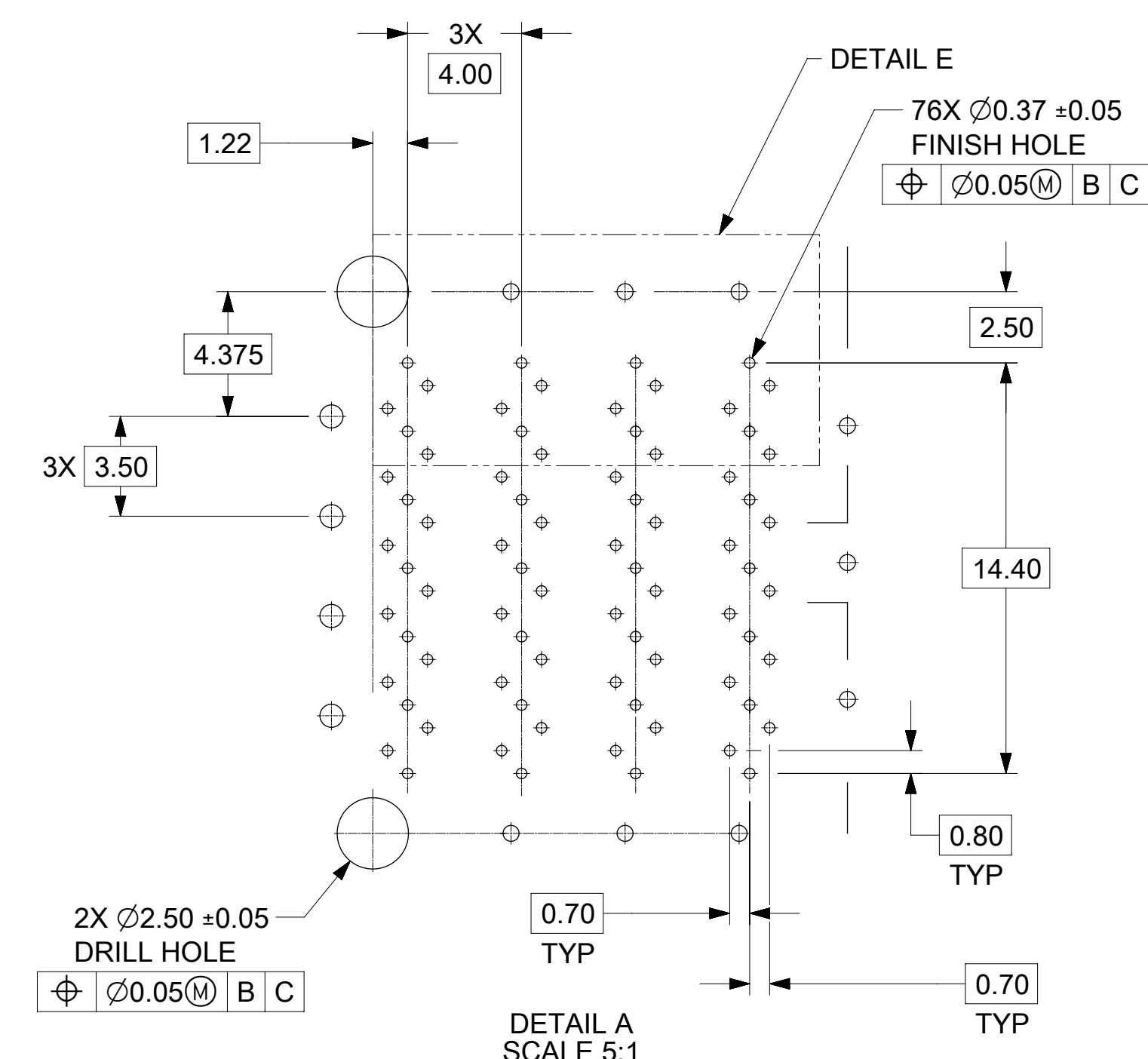
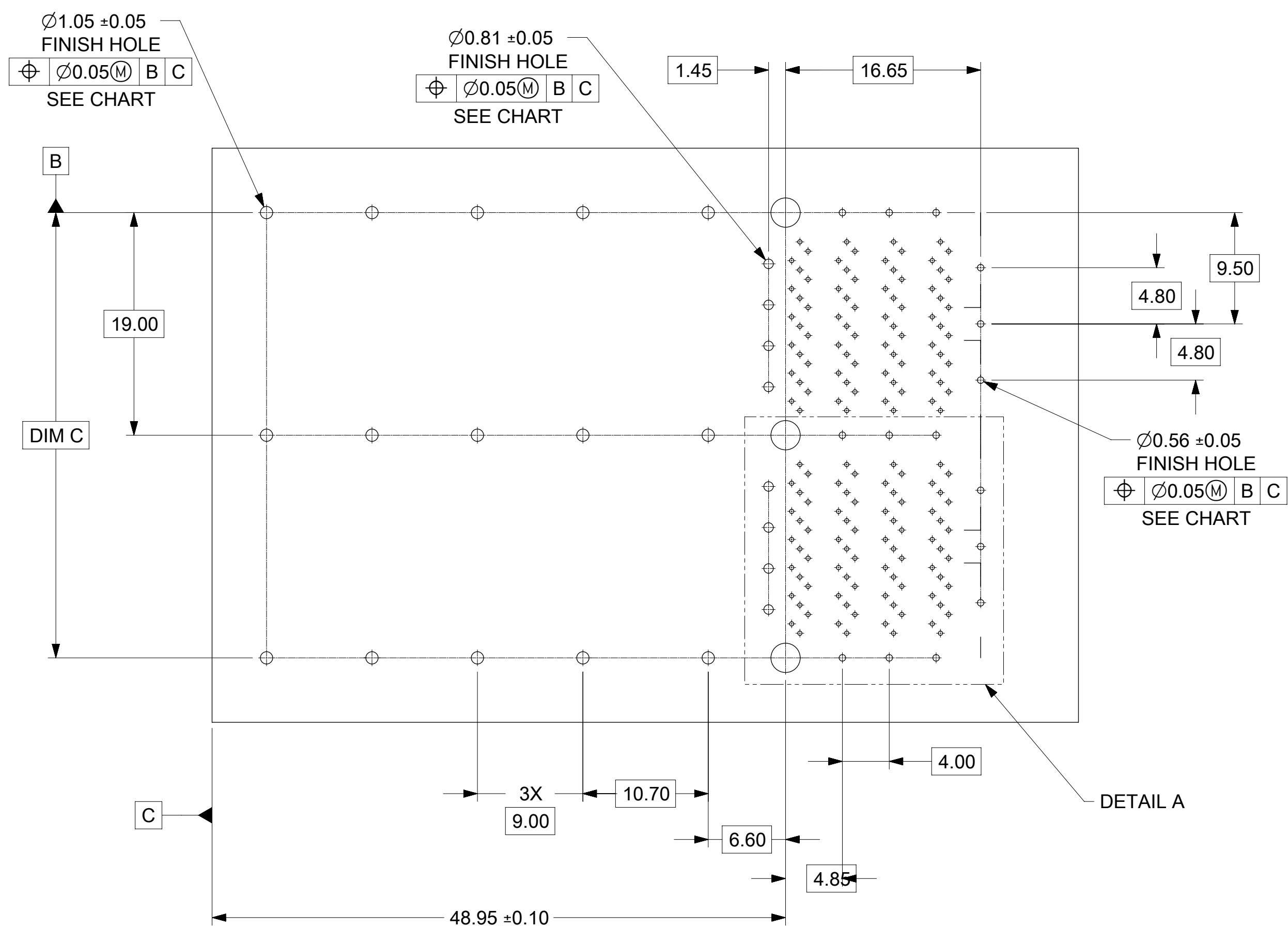
1715657102 SHOWN

1715657302 SHOWN



FUNCTIONAL SYMBOLS	THIS DRAWING CONTAINS INFORMATION THAT IS PROPRIETARY TO MOLEX ELECTRONIC TECHNOLOGIES, LLC AND SHOULD NOT BE USED WITHOUT WRITTEN PERMISSION																		
	DIMENSION UNITS		SCALE		CURRENT REV DESC: SEE REVISION HISTORY														
$\frac{F}{A} = 0$	mm		2.5:1		EC NO: 728470 DRWN: SYANG16 CHK'D: BARWANKAR APPR: BARWANKAR														
$\frac{F}{C} = 0$	GENERAL TOLERANCES (UNLESS SPECIFIED)										2022/11/14		2022/11/15		2022/11/15				
DIVISIONAL SYMBOLS	4 PLACES		±	±	INITIAL REVISION: DRWN: DRAWN BY APPR: APPR BY						DOCUMENT NUMBER			DOC TYPE	DOC PART	REVISION			
	3 PLACES		±	±							0099/99/99			1715657000			PSD	ASY	A
	2 PLACES		±	0.13 ±							0099/99/99			SEE P/N TABLE			CISCO		SHEET NUMBER
	1 PLACE		±	0.25 ±							THIRD ANGLE PROJECTION			C-SIZE		171565		2 OF 5	
	0 PLACES		±	±	DRAFT WHERE APPLICABLE MUST REMAIN WITHIN DIMENSIONS		DRAWING		SERIES		MATERIAL NUMBER		CUSTOMER		SHEET NUMBER				
	ANGULAR TOL		±	0.5 °															

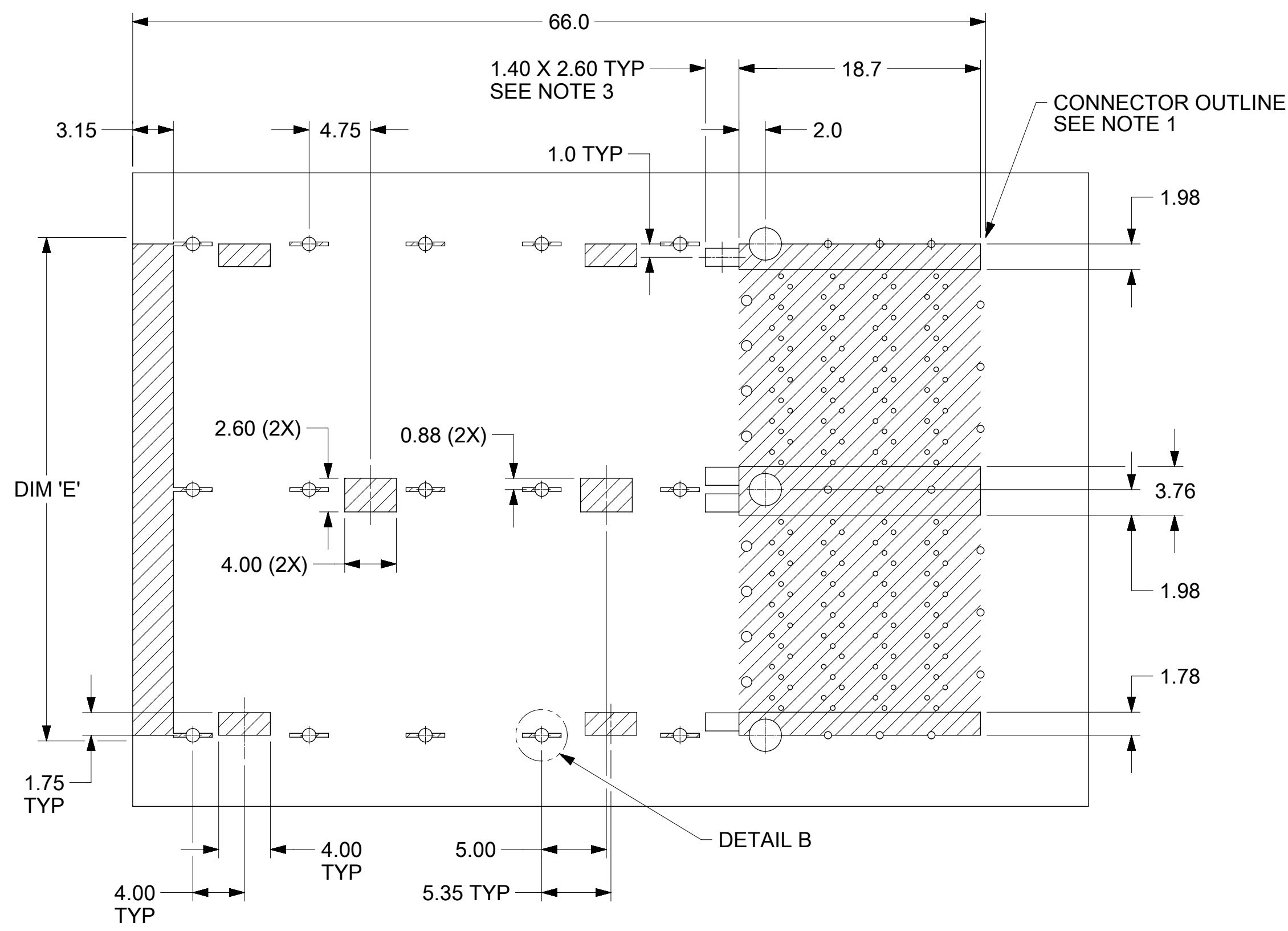
DOCUMENT STATUS	P1	RELEASE DATE	2022/11/15	09:38:04
-----------------	----	--------------	------------	----------



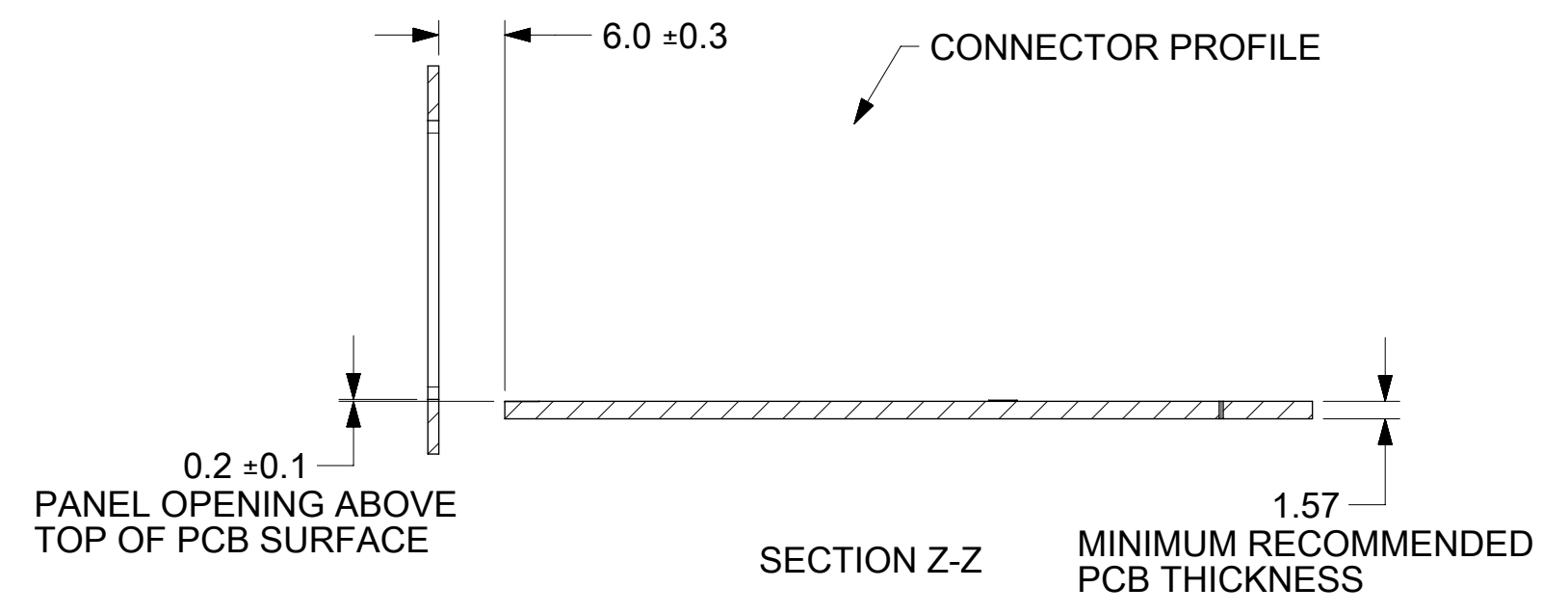
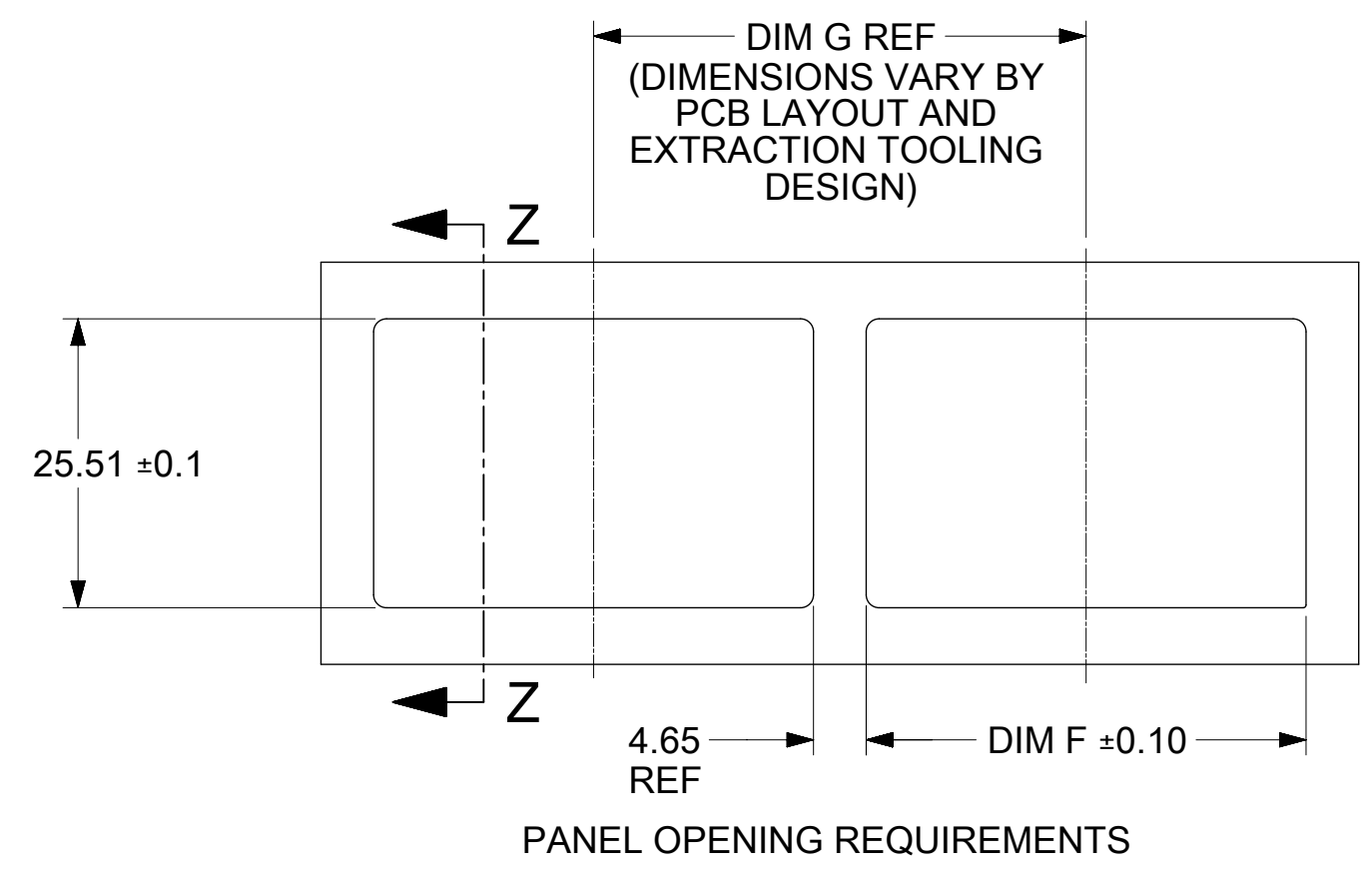
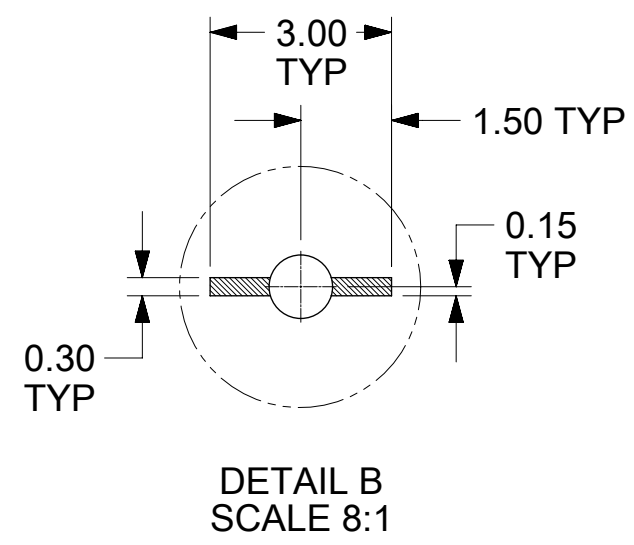
LOWER PORT  
UPPER PORT  
DETAIL E  
SCALE 8:1  
PIN ASSIGNMENTS

PORT SIZE	DIM C	Ø1.05 PTH QUANTITY	Ø0.56 PTH QUANTITY	Ø0.81 PTH QUANTITY
2X1	19.00	10	9	4
2X2	38.00	15	15	8
2X3	57.00	20	21	12

FUNCTIONAL SYMBOLS FA = 0 FC = 0 FP = 0	THIS DRAWING CONTAINS INFORMATION THAT IS PROPRIETARY TO MOLEX ELECTRONIC TECHNOLOGIES, LLC AND SHOULD NOT BE USED WITHOUT WRITTEN PERMISSION											
	DIMENSION UNITS <b>mm</b>		SCALE <b>3:1</b>		CURRENT REV DESC: SEE REVISION HISTORY						<b>molex</b>	
	GENERAL TOLERANCES (UNLESS SPECIFIED)											
	4 PLACES ±		MM		INCH		EC NO: 728470		2022/11/14		ZQSFP+ STACKED ASSY W/ELASTOMERIC GASKET	
3 PLACES ±						DRWN: SYANG16		2022/11/15				
2 PLACES ± 0.13						CHK'D: BARWANKAR		2022/11/15				
1 PLACE ± 0.25						APPR: BARWANKAR		2022/11/15				
0 PLACES ±						INITIAL REVISION:				PRODUCT CUSTOMER DRAWING		
ANGULAR TOL ± 0.5°						DRWN: JKACHLIC		2012/08/23		DOCUMENT NUMBER		
DRAFT WHERE APPLICABLE MUST REMAIN WITHIN DIMENSIONS						APPR: MBANAKIS		2012/08/30		1715657000		
		THIRD ANGLE PROJECTION		DRAWING		SERIES		MATERIAL NUMBER		CUSTOMER		
		C-SIZE		171565		SEE P/N TABLE		CISCO		SHEET NUMBER		
										3 OF 5		



PORT SIZE	DIM 'E'	DIM 'F'	DIM 'G'
2X1	19.5	19.85	24.50
2X2	38.5	38.85	43.50
2X3	57.5	57.85	62.50

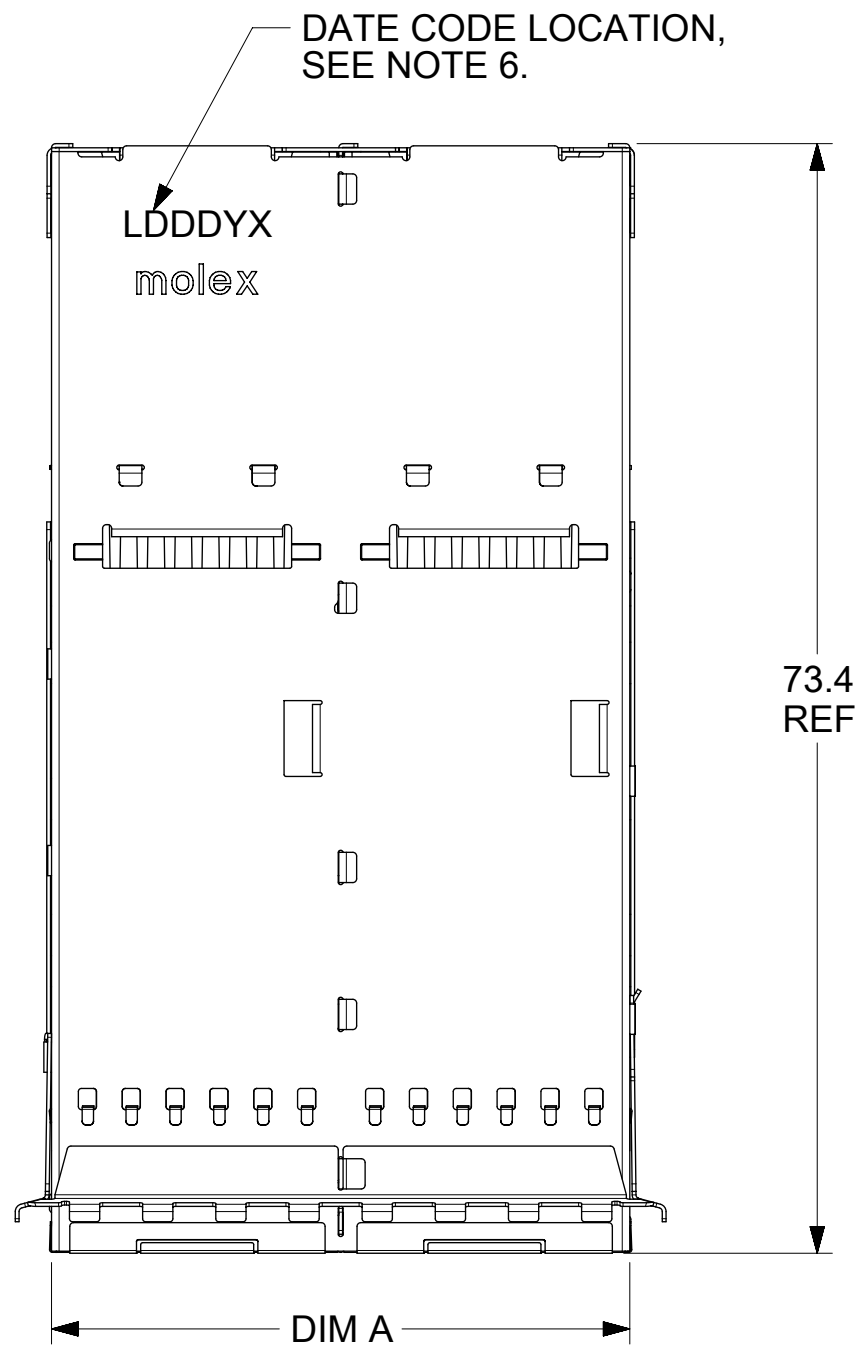


- NOTES:
1. THE ENTIRE AREA UNDER THE CONNECTOR IS A KEEP OUT ZONE FOR COMPONENTS AND TRACES, TOP LAYER ONLY, EXCEPT FOR CHASSIS GROUND.
  2. CROSS-HATCHED AREAS INDICATE PLACES WHERE THE PLASTIC HOUSING AND METAL CAGE MAY CONTACT PCB SURFACE. THESE AREAS ARE KEEP OUT ZONES. CROSS-HATCHED AREA UNDER THE CONNECTOR ARE TRACE AND VIA KEEP OUT AREAS FOR THE TOP LAYER.
  3. THESE RECTANGULAR ZONES ARE FOR LED PLACEMENT. LED HEIGHT SHOULD NOT EXCEED 0.8 AND PLACEMENT SHOULD BE CENTERED WITHIN THIS LED KEEP-IN ZONE.
  4. RECOMMENDED LED CHIP PACKAGE SIZE IS 0805.

FUNCTIONAL SYMBOLS FA = 0 FC = 0 FD = 0	THIS DRAWING CONTAINS INFORMATION THAT IS PROPRIETARY TO MOLEX ELECTRONIC TECHNOLOGIES, LLC AND SHOULD NOT BE USED WITHOUT WRITTEN PERMISSION														
	DIMENSION UNITS		SCALE		CURRENT REV DESC: SEE REVISION HISTORY										
	mm		1:1												
	GENERAL TOLERANCES (UNLESS SPECIFIED)										<b>ZQSFP+ STACKED ASSY W/ELASTOMERIC GASKET</b>				
		MM	INCH	EC NO: 728470											
4 PLACES		±	±	DRWN: SYANG16 2022/11/14											
3 PLACES		±	±	CHK'D: BARWANKAR 2022/11/15											
2 PLACES		±	0.13	±	APPR: BARWANKAR 2022/11/15										
1 PLACE		±	0.25	±	INITIAL REVISION:										
0 PLACES		±	±	±	DRWN: JKACHLIC 2012/08/23										
ANGULAR TOL		±	0.5	°	APPR: MBANAKIS 2012/08/30										
DRAFT WHERE APPLICABLE MUST REMAIN WITHIN DIMENSIONS				THIRD ANGLE PROJECTION		DRAWING		SERIES		MATERIAL NUMBER		CUSTOMER		SHEET NUMBER	
						C-SIZE		171565		SEE P/N TABLE		CISCO		4 OF 5	

REVISION HISTORY		
DATE	REV.	DESCRIPTION
2022/11/14	A	REMASTER RSD-171565-7000_REV2 FROM OLD SOFTWARE TO NEW SOFTWARE. SHEET 1: CHANGED DATE CODE FORMAT TO LDDDYX-C CORRECTED TYPO FOR FINISH INFORMATION OF SPRING FINGER UPDATE NOTE4 FOR PK SPEC ADDED NEW SHEET 2 SHEET 2: SHOWN 2X1 AND 2X3 OPTION SHEET 4: UPDATED KEEP OUT ZONE AND VERBIAGE IN NOTE1&2 UPDATED PANEL OPENING INFORMATION SHEET 5: ADDED REVISION HISTORY.

FUNCTIONAL SYMBOLS = 0 = 0 = 0 DIVISIONAL SYMBOLS 3 PLACES ± 2 PLACES ± 0.13 1 PLACE ± 0.25 0 PLACES ±	THIS DRAWING CONTAINS INFORMATION THAT IS PROPRIETARY TO MOLEX ELECTRONIC TECHNOLOGIES, LLC AND SHOULD NOT BE USED WITHOUT WRITTEN PERMISSION		DIMENSION UNITS: <b>mm</b>		SCALE: <b>1:1</b>	CURRENT REV DESC: SEE REVISION HISTORY								
	GENERAL TOLERANCES (UNLESS SPECIFIED)		ANGULAR TOL ± 0.5°		EC NO: 728470 DRWN: SYANG16 2022/11/14 CHK'D: BARWANKAR 2022/11/15 APPR: BARWANKAR 2022/11/15				ZQSFP+ STACKED ASSY W/ELASTOMERIC GASKET					
	DRAFT WHERE APPLICABLE MUST REMAIN WITHIN DIMENSIONS		THIRD ANGLE PROJECTION		DRAWING: <b>C-SIZE</b>		SERIES: <b>171565</b>		MATERIAL NUMBER: <b>SEE P/N TABLE</b>		CUSTOMER: <b>CISCO</b>		SHEET NUMBER: <b>5 OF 5</b>	
	PRODUCT CUSTOMER DRAWING		INITIAL REVISION: DRWN: SYANG16 2022/11/14 APPR: BARWANKAR 2022/11/15		DOCUMENT NUMBER: <b>1715657000</b>		DOC TYPE: <b>PSD</b>		DOC PART: <b>ASY</b>		REVISION: <b>A</b>			



PORT SIZE	PART NUMBER	DIM 'A'	DIM 'B'	DIM 'C'
2X1	171565-100*	19.5	24.1	19.00
2X2	171565-000*	38.5	43.1	38.00
2X3	171565-300*	57.5	62.1	57.00

\* - DESIGNATES FRONT PLATE OPTIONS

NOTES:

1. MATERIAL:

CAGE: NICKEL SILVER, 0.25 THICK  
 EMI STRAPS: PHOS-BRONZE, 0.10 THICK  
 GASKET: SILICONE  
 LIGHT PIPES (OPTIONAL): POLYCARBONATE  
 (PER TELCORDIA-GR-63-CORE-ISSUE3, SECTION 4.2.3.1; R4-43,  
 DISCRETE STRUCTURAL COMPONENTS CONSTITUTING A FUEL  
 LOAD OF 1 GRAM OR LESS ARE EXEMPT FROM THE REQUIREMENTS  
 OF R4-43 (91); UL 94V-0 RATING)  
 CONNECTOR HOUSING: HIGH PERFORMANCE THERMOPLASTIC, 94V-0  
 TERMINALS: HIGH PERFORMANCE COPPER ALLOY, 0.18 THICK

2. FINISH:

SPRING FINGERS: 0.5µm NICKEL OVERALL  
 GASKET: SILVER  
 TERMINALS: CONTACT AREA: 0.76µm MIN GOLD OVER 2.5µm MIN NICKEL.  
 COMPLIANT AREA: 0.76-1.52µm MATTE TIN OVER 1.27µm MIN NICKEL.

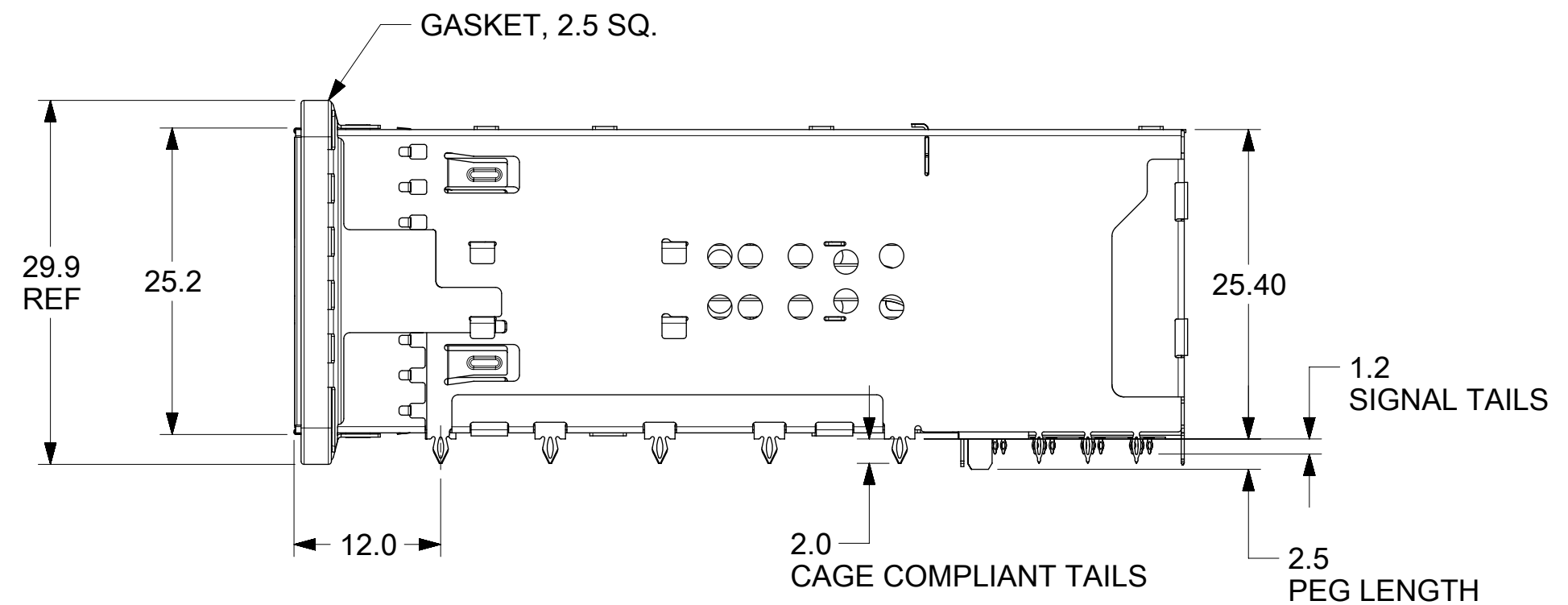
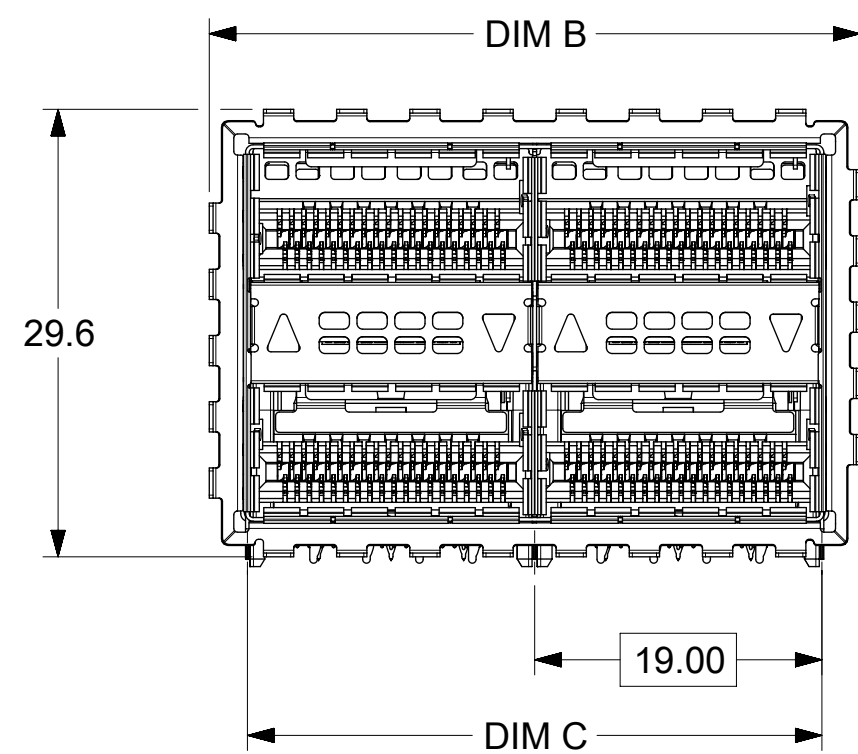
3. ALL SURFACES TO BE CLASS 'C' OR BETTER PER MOLEX COSMETIC SPECIFICATION PS-45499-002.

4. REFER TO PK-171565-0001 FOR PACKAGING SPECIFICATIONS.

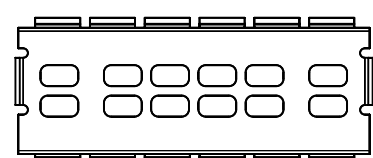
5. CONNECTOR INTENDED TO MATE WITH PLUG CABLE SERIES 74757 AND 74758.

6. DATE CODE LOCATION SHOWN, DATE CODE FORMAT: LDDDYX

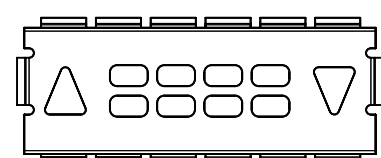
L: MOLEX INTERNAL CONTROL  
 DDD: DAY OF THE YEAR  
 Y: LAST DIGIT OF YEAR  
 X: MOLEX INTERNAL CONTROL



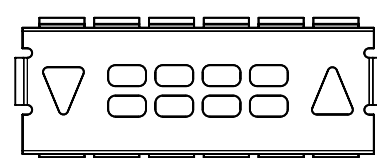
171565-0002 SHOWN FOR REFERENCE  
 APPEARANCE MAY VARY BY SIZE



P/N 171565-\*001  
 AIRFLOW ONLY  
 NO LIGHTPIPE



P/N 171565-\*002  
 UP / DOWN LIGHTPIPE  
 INDICATOR



P/N 171565-\*003  
 DOWN / UP LIGHTPIPE  
 INDICATOR

THIS DRAWING CONTAINS INFORMATION THAT IS PROPRIETARY TO MOLEX ELECTRONIC TECHNOLOGIES, LLC AND SHOULD NOT BE USED WITHOUT WRITTEN PERMISSION

DIMENSION UNITS		SCALE		CURRENT REV / DESC: SEE REVISION HISTORY	
mm		2:1			
GENERAL TOLERANCES (UNLESS SPECIFIED)					
	MM		INCH		
4 PLACES	±		±	EC NO: 617910	
3 PLACES	±		±	DRWN: CWANG67 2019/05/21	
2 PLACES	±	0.13	±	CHK'D: CWANG67 2019/05/24	
1 PLACE	±	0.25	±	APPR: RNELSON 2019/05/28	
0 PLACES	±		±	INITIAL REVISION:	
ANGULAR TOL		± 0.5 °		DRWN: JKACHLIC 2012/08/23	
DRAFT WHERE APPLICABLE MUST REMAIN WITHIN DIMENSIONS		THIRD ANGLE PROJECTION		APPR: MBANAKIS 2012/08/30	
		DRAWING		SERIES	
		C-SIZE		171565	
DOCUMENT STATUS		P1		RELEASE DATE	
2019/05/28		04:38:04			
DOCUMENT NUMBER		DOC TYPE		DOC PART	
SD-171565-2000		PSD		001	
MATERIAL NUMBER		CUSTOMER		SHEET NUMBER	
SEE CHART		GENERAL MARKET		1 OF 4	

**molex**

ZQSFP+ STACKED ASSY  
 W/ELASTOMERIC GASKET

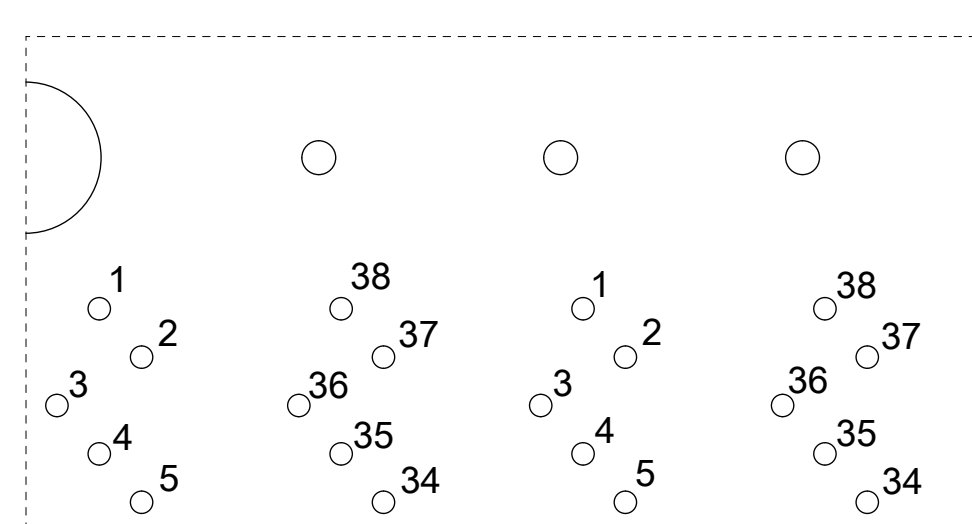
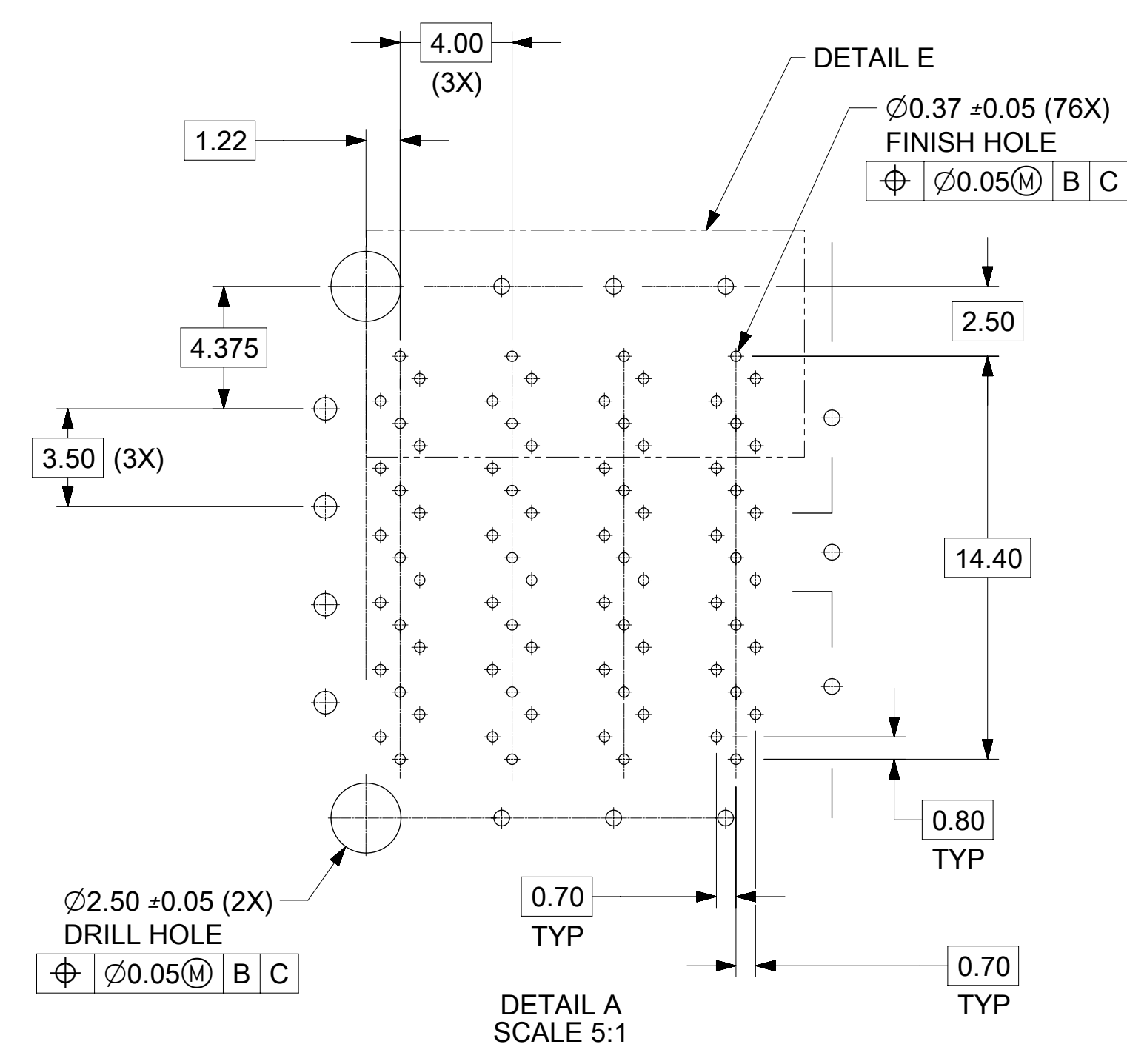
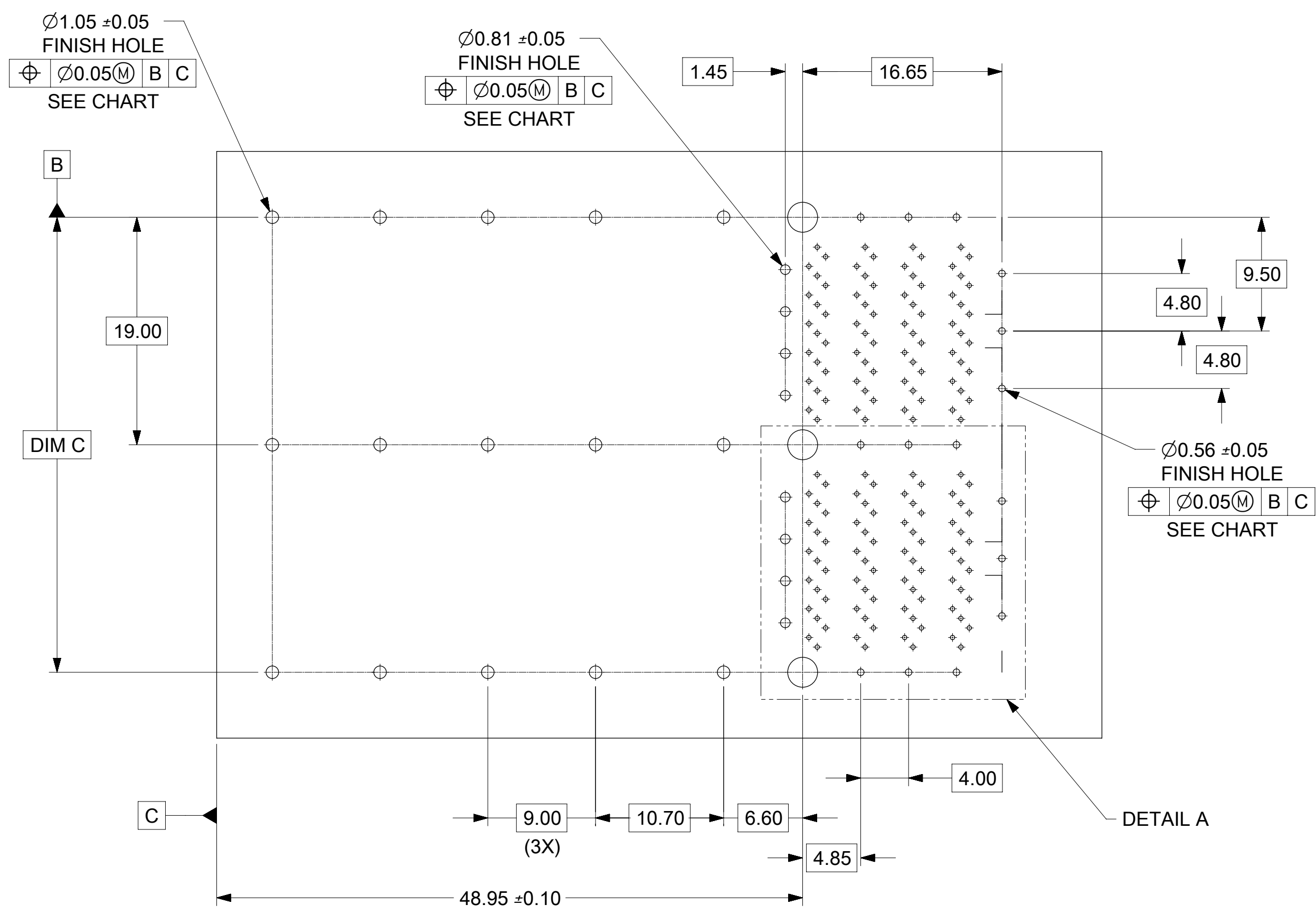
PRODUCT CUSTOMER DRAWING

DOCUMENT NUMBER DOC TYPE DOC PART REVISION

SD-171565-2000 PSD 001 A2

MATERIAL NUMBER CUSTOMER SHEET NUMBER

SEE CHART GENERAL MARKET 1 OF 4



LOWER PORT  
UPPER PORT  
DETAIL E  
SCALE 8:1  
PIN ASSIGNMENTS

PORT SIZE	DIM C	Ø1.05 PTH QUANTITY	Ø0.56 PTH QUANTITY	Ø0.81 PTH QUANTITY
2X1	19.00	10	9	4
2X2	38.00	15	15	8
2X3	57.00	20	21	12

THIS DRAWING CONTAINS INFORMATION THAT IS PROPRIETARY TO MOLEX ELECTRONIC TECHNOLOGIES, LLC AND SHOULD NOT BE USED WITHOUT WRITTEN PERMISSION

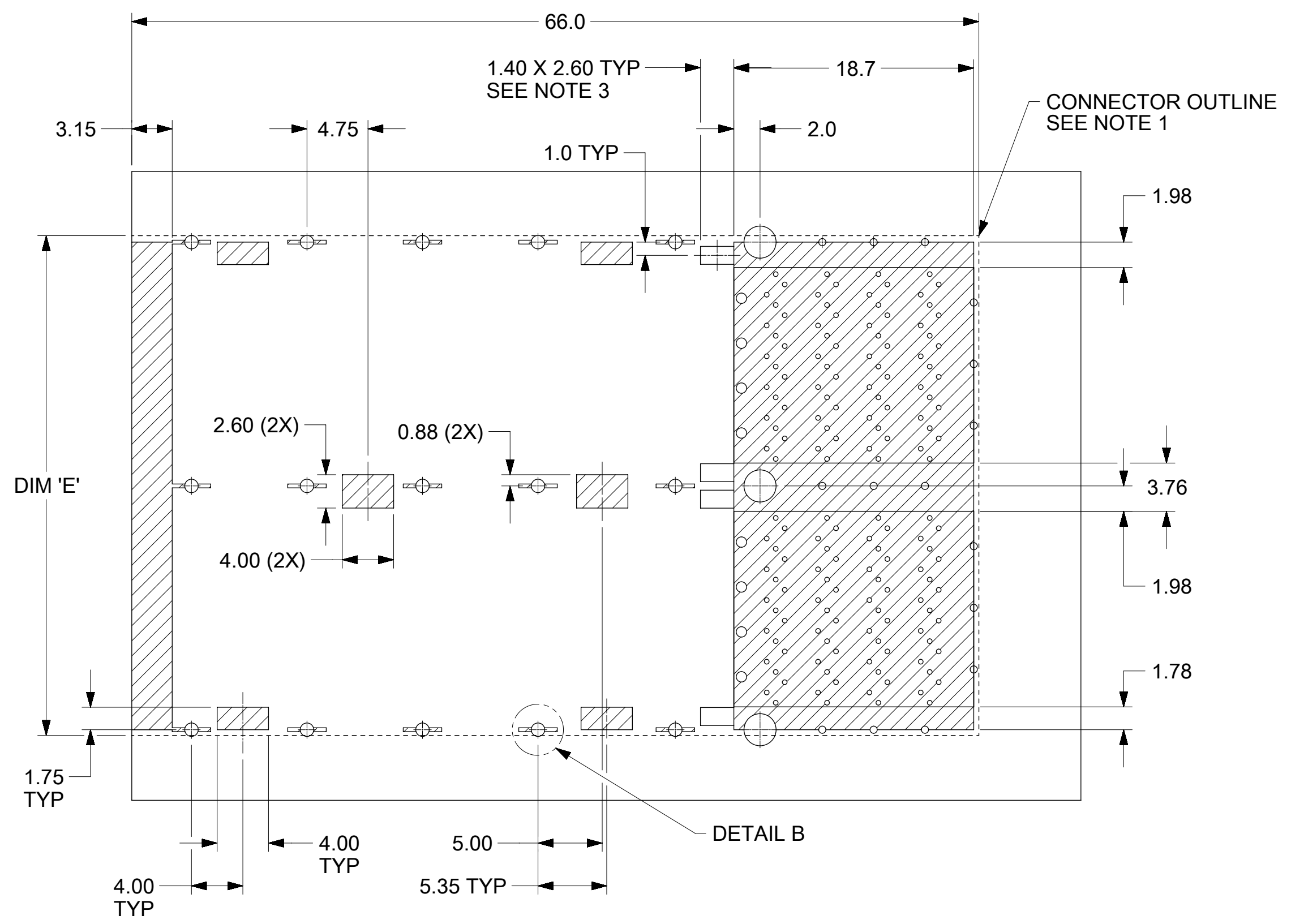
DIMENSION UNITS <b>mm</b>	SCALE <b>3:1</b>	CURRENT REV DESC: SEE REVISION HISTORY	
GENERAL TOLERANCES (UNLESS SPECIFIED)		EC NO: 617910	
4 PLACES	±	DRWN: CWANG67	2019/05/21
3 PLACES	±	CHK'D: CWANG67	2019/05/24
2 PLACES	± 0.13	APPR: RNELSON	2019/05/28
1 PLACE	± 0.25	INITIAL REVISION:	
0 PLACES	±	DRWN: JKACHLIC	2012/08/23
ANGULAR TOL	± 0.5°	APPR: MBANAKIS	2012/08/30
DRAFT WHERE APPLICABLE MUST REMAIN WITHIN DIMENSIONS	THIRD ANGLE PROJECTION	DRAWING <b>C-SIZE</b>	SERIES <b>171565</b>

ZQSFP+ STACKED ASSY  
W/ELASTOMERIC GASKET

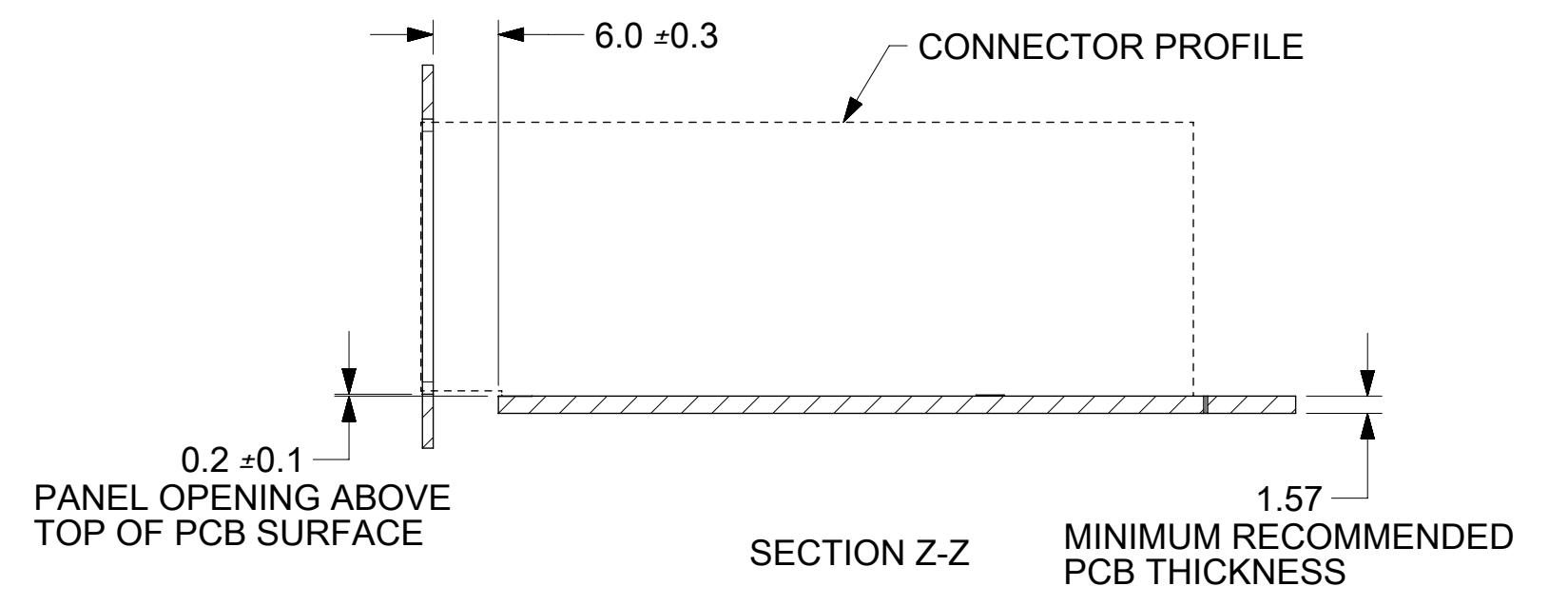
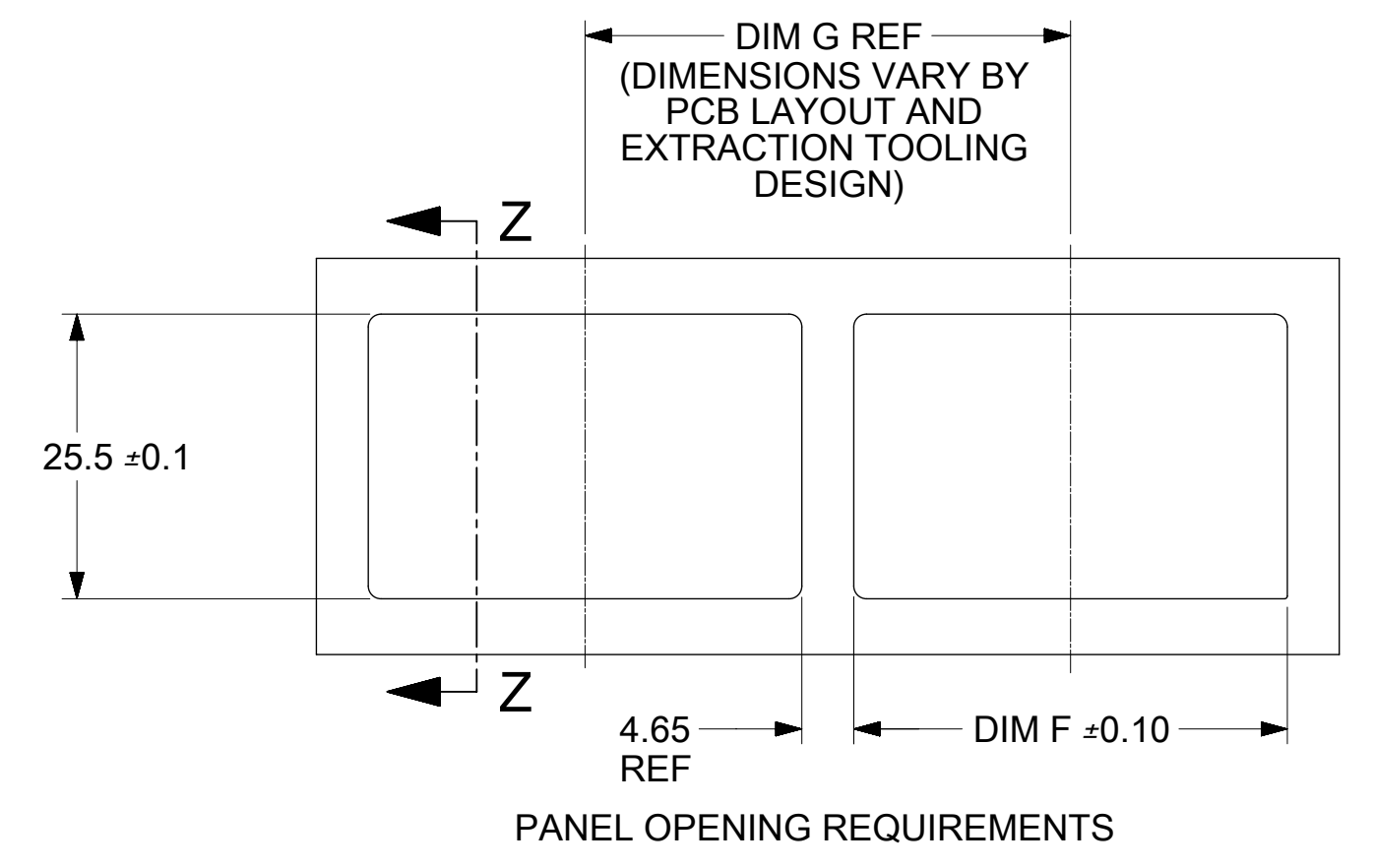
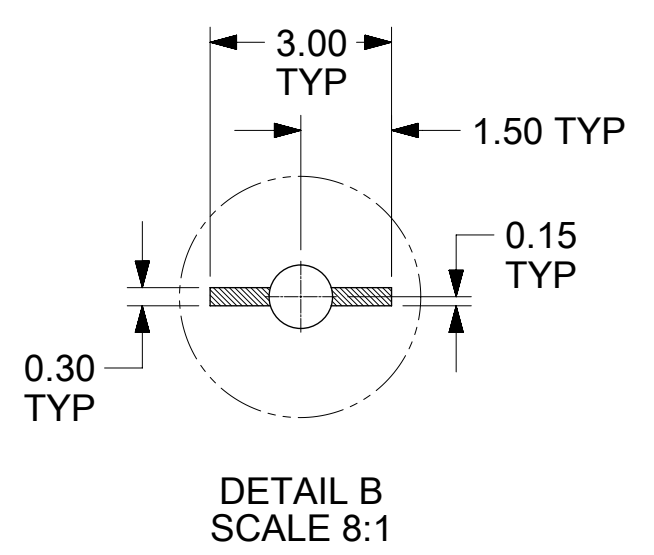
PRODUCT CUSTOMER DRAWING

DOCUMENT NUMBER	DOC TYPE	DOC PART	REVISION
<b>SD-171565-2000</b>	PSD	001	<b>A2</b>

MATERIAL NUMBER	CUSTOMER	SHEET NUMBER
SEE CHART	GENERAL MARKET	2 OF 4



PORT SIZE	DIM 'E'	DIM 'F'	DIM 'G'
2X1	19.5	19.85	24.50
2X2	38.5	38.85	43.50
2X3	57.5	57.85	62.50



- NOTES:
1. THE ENTIRE AREA UNDER THE CONNECTOR IS A KEEP OUT ZONE FOR COMPONENTS AND TRACES, TOP LAYER ONLY, EXCEPT FOR CHASSIS GROUND.
  2. CROSS-HATCHED AREAS INDICATE PLACES WHERE THE PLASTIC HOUSING AND METAL CAGE MAY CONTACT PCB SURFACE. THESE AREAS ARE KEEP OUT ZONES. CROSS-HATCHED AREA UNDER THE CONNECTOR ARE TRACE AND VIA KEEP OUT AREAS FOR THE TOP LAYER.
  3. THESE RECTANGULAR ZONES ARE FOR LED PLACEMENT. LED HEIGHT SHOULD NOT EXCEED 0.8 AND PLACEMENT SHOULD BE CENTERED WITHIN THIS LED KEEP-IN ZONE.
  4. RECOMMENDED LED CHIP PACKAGE SIZE IS 0805.

THIS DRAWING CONTAINS INFORMATION THAT IS PROPRIETARY TO MOLEX ELECTRONIC TECHNOLOGIES, LLC AND SHOULD NOT BE USED WITHOUT WRITTEN PERMISSION

DIMENSION UNITS <b>mm</b>	SCALE <b>1:1</b>	CURRENT REV DESC: SEE REVISION HISTORY				
GENERAL TOLERANCES (UNLESS SPECIFIED)		EC NO: 617910				
4 PLACES ±	MM	INCH	DRWN: CWANG67	2019/05/21	PRODUCT CUSTOMER DRAWING	
3 PLACES ±	±	±	CHK'D: CWANG67	2019/05/24	DOCUMENT NUMBER	
2 PLACES ±	0.13	±	APPR: RNELSON	2019/05/28	DOC TYPE	
1 PLACE ±	0.25	±	INITIAL REVISION:		DOC PART	
0 PLACES ±	±	±	DRWN: JKACHLIC	2012/08/23	REVISION	
ANGULAR TOL ±	0.5°		APPR: MBANAKIS	2012/08/30	SD-171565-2000	
DRAFT WHERE APPLICABLE MUST REMAIN WITHIN DIMENSIONS	THIRD ANGLE PROJECTION	DRAWING	SERIES	MATERIAL NUMBER	CUSTOMER	SHEET NUMBER
		C-SIZE	171565	SEE CHART	GENERAL MARKET	3 OF 4



REVISION HISTORY		
DATE	REV.	DESCRIPTION
2019/05/23	A2	1.ADDED REVISION HISTORY TABLE. 2.UPDATE NOTE4 FOR PK SPEC. 3.CHG DATE CODE FORMAT TO LDDDYX.
		4.UPDATE KEEP OUT ZONE AND VERBIAGE IN NOTE1&2, SHEET3. 5.UPDATE PANEL OPENING INFORMATION IN SHEET3.

THIS DRAWING CONTAINS INFORMATION THAT IS PROPRIETARY TO MOLEX ELECTRONIC TECHNOLOGIES, LLC AND SHOULD NOT BE USED WITHOUT WRITTEN PERMISSION

DIMENSION UNITS <b>mm</b>	SCALE <b>1:1</b>	CURRENT REV DESC: SEE REVISION HISTORY	<b>molex</b>			
GENERAL TOLERANCES (UNLESS SPECIFIED)						
ANGULAR TOL ± 0.5°		EC NO: 617910	ZQSFP+ STACKED ASSY W/ELASTOMERIC GASKET			
4 PLACES ±		DRWN: CWANG67 2019/05/21				
3 PLACES ±		CHK'D: CWANG67 2019/05/24				
2 PLACES ± 0.13		APPR: RNELSON 2019/05/28	PRODUCT CUSTOMER DRAWING			
1 PLACE ± 0.25		INITIAL REVISION:	DOCUMENT NUMBER	DOC TYPE	DOC PART	REVISION
0 PLACES ±		DRWN: JKACHLIC 2012/08/23	<b>SD-171565-2000</b>	PSD	001	<b>A2</b>
DRAFT WHERE APPLICABLE MUST REMAIN WITHIN DIMENSIONS	THIRD ANGLE PROJECTION	DRAWING	SERIES	MATERIAL NUMBER	CUSTOMER	SHEET NUMBER
		<b>C-SIZE</b>	<b>171565</b>		<b>GENERAL MARKET</b>	<b>4 OF 4</b>

DOCUMENT STATUS	P1	RELEASE DATE	2019/05/28 04:38:04
-----------------	----	--------------	---------------------