



TDA9897; TDA9898

Multistandard hybrid IF processing

Rev. 04 — 25 May 2009

Product data sheet

1. General description

The Integrated Circuit (IC) is suitable for Intermediate Frequency (IF) processing including global multistandard Analog TV (ATV), Digital Video Broadcast (DVB) and mono FM radio using only 1 IC and 1 to 3 fixed Surface Acoustic Waves (SAWs) (application dependent). TDA9898 includes, TDA9897 excludes L and L-accent standard.

2. Features

2.1 General

- 5 V supply voltage
- I²C-bus control over all functions
- Four I²C-bus addresses provided; selection by programmable Module Address (MAD)
- Three I²C-bus voltage level supported; selection via pin BVS
- Separate gain controlled amplifiers with input selector and conversion for incoming IF [analog Vision IF (VIF) or Sound IF (SIF) or Digital TV (DTV)] allows the use of different filter shapes and bandwidths
- All conventional ATV standards applicable by using DTV bandwidth window (SAW) filter
- Two 4 MHz reference frequency stages; the first one operates as crystal oscillator, the second one as external signal input
- Stabilizer circuit for ripple rejection and to achieve constant output signals
- Smallest size, simplest application
- ElectroStatic Discharge (ESD) protection for all pins

2.2 Analog TV processing

- Gain controlled wideband VIF amplifier; AC-coupled
- Multistandard true synchronous demodulation with active carrier regeneration: very linear demodulation, good intermodulation figures, reduced harmonics and excellent pulse response
- Integrated Nyquist processing, providing additionally image suppression for high adjacent channel selectivity
- Optional use of conventional Nyquist filter to support a wide range of applications
- Gated phase detector for L and L-accent standards
- Fully integrated VIF Voltage-Controlled Oscillator (VCO), alignment-free, frequencies switchable for all negative and positive modulated standards via I²C-bus
- VIF Automatic Gain Control (AGC) detector for gain control; operating as a peak sync detector for negative modulated signals and as a peak white detector for positive modulated signals

- Optimized AGC modes for negative modulation; e.g. very fast reaction time for VIF and SIF
- Precise fully digital Automatic Frequency Control (AFC) detector with 4-bit Digital-to-Analog Converter (DAC); AFC bits can be read-out via I²C-bus
- High precise Tuner AGC (TAGC) TakeOver Point (TOP) for negative modulated standards; TOP adjust via I²C-bus
- TAGC TOP for positive standards and Received Signal Strength Indication (RSSI); adjustable via I²C-bus or alternatively by potentiometer
- Fully integrated Sound Carrier (SC) trap for any ATV standard (SC at 4.5 MHz, 5.5 MHz, 6.0 MHz and 6.5 MHz)
- SIF AGC for gain controlled SIF amplifier and high-performance single-reference Quasi Split Sound (QSS) mixer
- Fully integrated sound BP filter supporting any ATV standard
- Optional use of external FM or AM sound BP filter
- AM sound demodulation for L and L-accent standard
- Alignment-free selective FM Phase-Locked Loop (PLL) demodulator with high linearity and low noise; external FM input
- Port function
- VIF AGC voltage monitor output or port function
- TAGC voltage monitor output or port function
- VIF AFC current or tuner, VIF, SIF or FM AGC voltage monitor output
- 2nd SIF output, gain controlled by internal SIF AGC or by internal FM carrier AGC for Digital Signal Processor (DSP)
- Fully integrated BP filter for 2nd SIF at 4.5 MHz, 5.5 MHz, 6.0 MHz or 6.5 MHz

2.3 Digital TV processing

- Applicable for terrestrial and cable TV reception
- 70 dB variable gain wideband IF amplifier (AC-coupled)
- Gain control via external control voltage (0 V to 3 V)
- 2 V (p-p) differential low IF (downconverted) output or 1 V (p-p) 1st IF output for direct Analog-to-Digital Converter (ADC) interfacing
- DVB downconversion with integrated selectivity for Low IF (LIF)
- Integrated anti-aliasing tracking low-pass filter
- Fully integrated synthesizer controlled oscillator with excellent phase noise performance
- Synthesizer frequencies for a wide range of world wide DVB standards (for IF center frequencies of e.g. 34.5 MHz, 36 MHz, 44 MHz and 57 MHz)
- TAGC detector for independent tuner gain control loop applications
- TAGC operating as peak detector, fast reaction time due to additional speed-up detector
- Port function
- TAGC voltage monitor output

2.4 FM radio mode

- Gain controlled wideband Radio IF (RIF) amplifier; AC-coupled
- Buffered RIF amplifier wideband output, gain controlled by internal RIF AGC
- Use of external FM sound BP filter
- 2nd RIF output, gain controlled by internal RIF AGC or by internal FM carrier AGC for DSP
- Alignment-free selective FM PLL demodulator with high linearity and low noise
- Precise fully digital AFC detector with 4-bit DAC; AFC bits read-out via I²C-bus
- Port function
- Radio AFC or tuner, RIF or FM AGC voltage monitor output

3. Applications

- Analog and digital TV front-end applications for TV sets, recording applications and personal computer cards

4. Quick reference data

Table 1. Quick reference data

V_P = 5 V; T_{amb} = 25 °C.

Symbol	Parameter	Conditions	Min	Typ	Max	Unit
V _P	supply voltage		[1] 4.5	5.0	5.5	V
I _P	supply current	ATV QSS; B/G standard; sound carrier trap on; sound BP on	-	-	175	mA

Analog TV signal processing

Video part

V _{i(IF)(RMS)}	RMS IF input voltage	lower limit at -1 dB video output signal	-	60	100	μV
G _{VIF(cr)}	control range VIF gain		60	66	-	dB
f _{VIF}	VIF frequency	see Table 24	-	-	-	MHz
Δf _{VIF(dah)}	digital acquisition help VIF frequency window	related to f _{VIF}				
		all standards except M/N	-	±2.3	-	MHz
		M/N standard	-	±1.8	-	MHz
V _{o(video)(p-p)}	peak-to-peak video output voltage	positive or negative modulation; normal mode and sound carrier on; W6[1] = 0; W4[7] = 0; W7[4] = 0; see Figure 10	1.7	2.0	2.3	V
G _{dif}	differential gain	"ITU-T J.63 line 330"	[2][3]			
		B/G standard	-	-	5	%
		L standard	-	-	7	%
φ _{dif}	differential phase	"ITU-T J.63 line 330"	[2][3]			
		B/G standard	-	2	4	deg
		L standard	-	2	4	deg

Table 1. Quick reference data ...continued

$V_P = 5\text{ V}$; $T_{amb} = 25\text{ }^\circ\text{C}$.

Symbol	Parameter	Conditions	Min	Typ	Max	Unit
$B_{\text{video}(-3\text{dB})}$	-3 dB video bandwidth	trap bypass mode and sound carrier off; AC load: $C_L < 20\text{ pF}$, $R_L > 1\text{ k}\Omega$	[4] 6	8	-	MHz
α_{SC1}	first sound carrier attenuation	M/N standard; $f = f_{\text{SC1}} = 4.5\text{ MHz}$; see Figure 21	[4] 38	-	-	dB
		B/G standard; $f = f_{\text{SC1}} = 5.5\text{ MHz}$; see Figure 23	[4] 35	-	-	dB
$(S/N)_w$	weighted signal-to-noise ratio	normal mode and sound carrier on; B/G standard; 50 % grey video signal; unified weighting filter ("ITU-T J.61"); see Figure 20	[2][5] 53	57	-	dB
$\text{PSRR}_{\text{CVBS}}$	power supply ripple rejection on pin CVBS	normal mode and sound carrier on; $f_{\text{ripple}} = 70\text{ Hz}$; video signal; grey level; positive and negative modulation; see Figure 11	[2] 14	20	-	dB
$\Delta I_{\text{AFC}}/\Delta f_{\text{VIF}}$	change of AFC current with VIF frequency	AFC TV mode	[6] 0.85	1.05	1.25	$\mu\text{A/kHz}$
Audio part						
$V_{\text{o(AF)(RMS)}}$	RMS AF output voltage	FM: QSS mode; 27 kHz FM deviation; 50 μs de-emphasis	430	540	650	mV
		AM: 54 % modulation	400	500	600	mV
THD	total harmonic distortion	FM: 50 μs de-emphasis; FM deviation: for TV mode 27 kHz and for radio mode 22.5 kHz	-	0.15	0.50	%
		AM: 54 % modulation; BP on; see Figure 33	-	0.5	1.0	%
$f_{-3\text{dB(AF)}}$	AF cut-off frequency	W3[2] = 0; W3[4] = 0; without de-emphasis; FM window width = 237.5 kHz	80	100	-	kHz
$(S/N)_{\text{w(AF)}}$	AF weighted signal-to-noise ratio	"ITU-R BS.468-4"				
		FM: 27 kHz FM deviation; 50 μs de-emphasis; vision carrier unmodulated; FM PLL only	48	56	-	dB
		AM: BP off	44	50	-	dB
PSRR	power supply ripple rejection	$f_{\text{ripple}} = 70\text{ Hz}$; see Figure 11	14	20	-	dB

Table 1. Quick reference data ...continued

$V_P = 5\text{ V}$; $T_{amb} = 25\text{ }^\circ\text{C}$.

Symbol	Parameter	Conditions	Min	Typ	Max	Unit
$V_{o(RMS)}$	RMS output voltage	IF intercarrier single-ended to GND; see Figure 9 and Table 21				
		B/G standard; SC1 on; SC2 off; internal BP via FM AGC	90	140	180	mV
		L standard; without modulation; W7[5] = 0; internal BP + 6 dB	90	140	180	mV
<i>FM sound part</i>						
$V_{i(FM)(RMS)}$	RMS FM input voltage	gain controlled operation; W1[1:0] = 10 or W1[1:0] = 11 or W1[1:0] = 01; see Figure 9	2	-	300	mV
$\Delta I_{AFC}/\Delta f_{RIF}$	change of AFC current with RIF frequency	AFC radio mode	[6]	0.85	1.05	1.25 $\mu\text{A}/\text{kHz}$
α_{AM}	AM suppression	referenced to 27 kHz FM deviation; 50 μs de-emphasis; AM: f = 1 kHz; m = 54 %	35	46	-	dB
Digital TV signal processing						
<i>Digital direct IF</i>						
$V_{o(dif)(p-p)}$	peak-to-peak differential output voltage	between pin OUT2A and pin OUT2B	[7]			
		W4[7] = 0	-	1.0	1.1	V
		W4[7] = 1	-	0.50	0.55	V
$G_{IF(max)}$	maximum IF gain	output peak-to-peak level to input RMS level ratio	[8]	-	83	- dB
$G_{IF(cr)}$	control range IF gain		[8]	60	66	- dB
PSRR	power supply ripple rejection	residual spurious at nominal differential output voltage dependent on power supply ripple	[8]			
		$f_{ripple} = 70\text{ Hz}$	-	60	-	dB
		$f_{ripple} = 20\text{ kHz}$	-	60	-	dB
<i>Digital low IF</i>						
$V_{o(dif)(p-p)}$	peak-to-peak differential output voltage	between pin OUT1A and pin OUT1B; W4[7] = 0	[7]	-	2	- V
$G_{IF(max)}$	maximum IF gain	output peak-to-peak level to input RMS level ratio	[8]	-	89	- dB
$G_{IF(cr)}$	control range IF gain		[8]	60	66	- dB
f_{synth}	synthesizer frequency	see Table 34 and Table 35	-	-	-	MHz

Table 1. Quick reference data ...continued

$V_P = 5\text{ V}$; $T_{amb} = 25\text{ }^\circ\text{C}$.

Symbol	Parameter	Conditions	Min	Typ	Max	Unit
$\phi_{n(\text{synth})}$	synthesizer phase noise	with 4 MHz crystal oscillator reference; $f_{\text{synth}} = 31\text{ MHz}$; $f_{\text{IF}} = 36\text{ MHz}$				
		at 1 kHz	[8] 89	99	-	dBc/Hz
		at 10 kHz	[8] 89	99	-	dBc/Hz
		at 100 kHz	[8] 98	102	-	dBc/Hz
		at 1.4 MHz	[8] 115	119	-	dBc/Hz
$\alpha_{\text{ripple(pb)LIF}}$	low IF pass-band ripple	6 MHz bandwidth	-	-	2.7	dB
		7 MHz bandwidth	-	-	2.7	dB
		8 MHz bandwidth	-	-	2.7	dB
α_{stpb}	stop-band attenuation	8 MHz band; $f = 15.75\text{ MHz}$	30	40	-	dB
α_{image}	image rejection	-10 MHz to 0 MHz; BP on	30	34	-	dB
C/N	carrier-to-noise ratio	at $f_o = 4.9\text{ MHz}$; $V_{i(\text{IF})} = 10\text{ mV (RMS)}$; see Figure 37	[8][9][10] 112	118	-	dBc/Hz

Reference frequency input from external source

f_{ref}	reference frequency	W7[7] = 0	[11] -	4	-	MHz
$V_{\text{ref(RMS)}}$	RMS reference voltage	W7[7] = 0; see Figure 34 and Figure 46	15	150	500	mV

- [1] Values of video and sound parameters can be decreased at $V_P = 4.5\text{ V}$.
- [2] AC load; $C_L < 20\text{ pF}$ and $R_L > 1\text{ k}\Omega$. The sound carrier frequencies (depending on TV standard) are attenuated by the integrated sound carrier traps.
- [3] Condition: luminance range (5 steps) from 0 % to 100 %. Measurement value is based on 4 of 5 steps.
- [4] The sound carrier trap can be bypassed by setting the I²C-bus bit W2[0] to logic 0; see [Table 23](#). In this way the full composite video spectrum appears at pin CVBS. The video amplitude is reduced to 1.1 V (p-p).
- [5] Measurement using 200 kHz high-pass filter, 5 MHz low-pass filter and subcarrier notch filter (“ITU-T J.64”).
- [6] To match the AFC output signal to different tuning systems a current output is provided. The test circuit is given in [Figure 19](#). The AFC steepness can be changed by resistors R1 and R2.
- [7] With single-ended load for $f_{\text{IF}} < 45\text{ MHz}$ $R_L \geq 1\text{ k}\Omega$ and $C_L \leq 5\text{ pF}$ to ground and for $f_{\text{IF}} = 45\text{ MHz}$ to 60 MHz $R_L = 1\text{ k}\Omega$ and $C_L \leq 3\text{ pF}$ to ground.
- [8] This parameter is not tested during production and is only given as application information.
- [9] Noise level is measured without input signal but AGC adjusted corresponding to the given input level.
- [10] Set with AGC nominal output voltage as reference. For C/N measurement switch input signal off.
- [11] The tolerance of the reference frequency determines the accuracy of VIF AFC, RIF AFC, FM demodulator center frequency, maximum FM deviation, sound trap frequency, LIF band-pass cut-off frequency, as well as the accuracy of the synthesizer.

5. Ordering information

Table 2. Ordering information

Type number	Package		Version
	Name	Description	
TDA9897HL/V3	LQFP48	plastic low profile quad flat package; 48 leads; body 7 × 7 × 1.4 mm	SOT313-2
TDA9897HN/V3	HVQFN48	plastic thermal enhanced very thin quad flat package; no leads; 48 terminals; body 7 × 7 × 0.85 mm	SOT619-1
TDA9898HL/V3	LQFP48	plastic low profile quad flat package; 48 leads; body 7 × 7 × 1.4 mm	SOT313-2
TDA9898HN/V3	HVQFN48	plastic thermal enhanced very thin quad flat package; no leads; 48 terminals; body 7 × 7 × 0.85 mm	SOT619-1

6. Block diagram

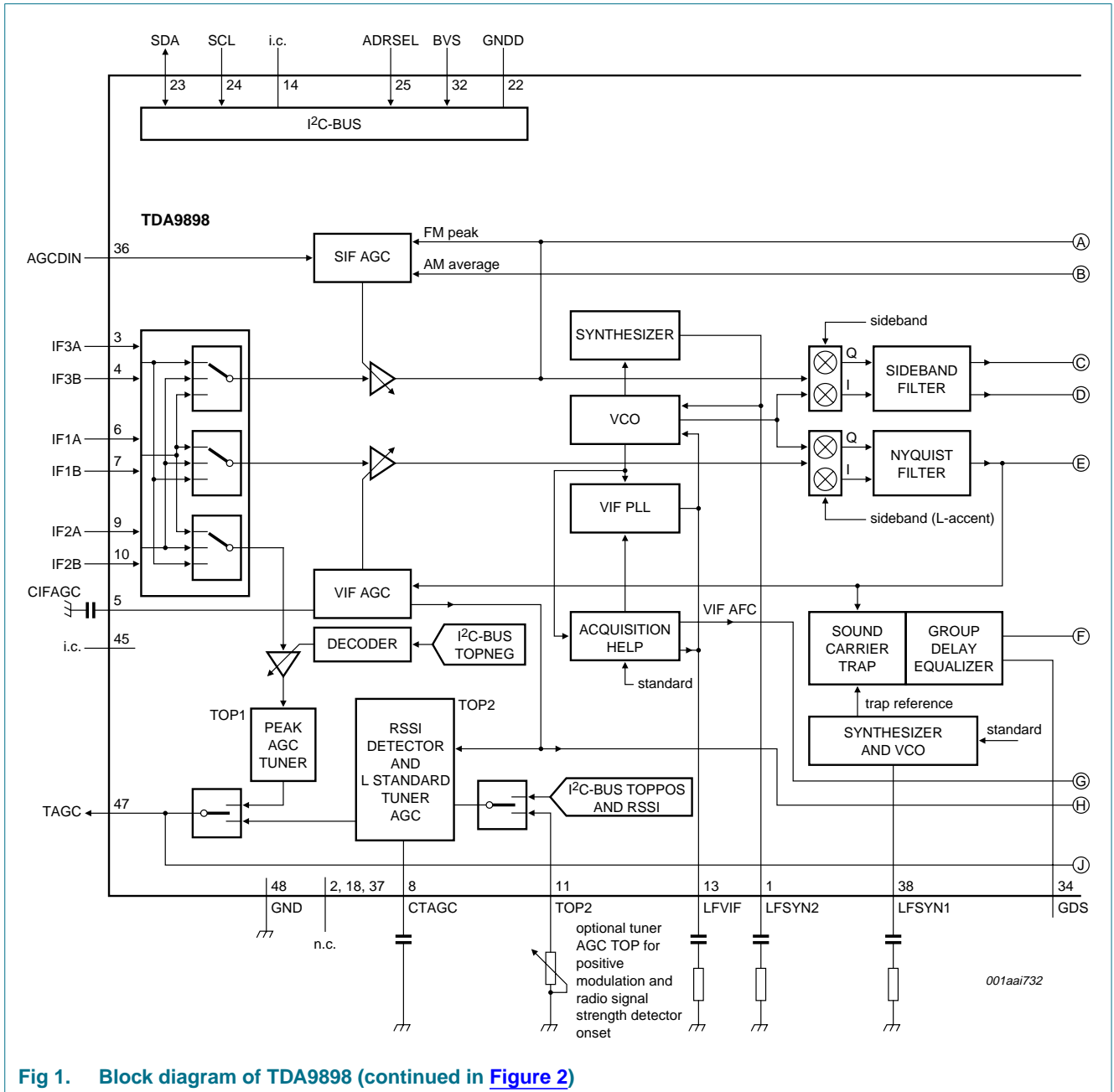
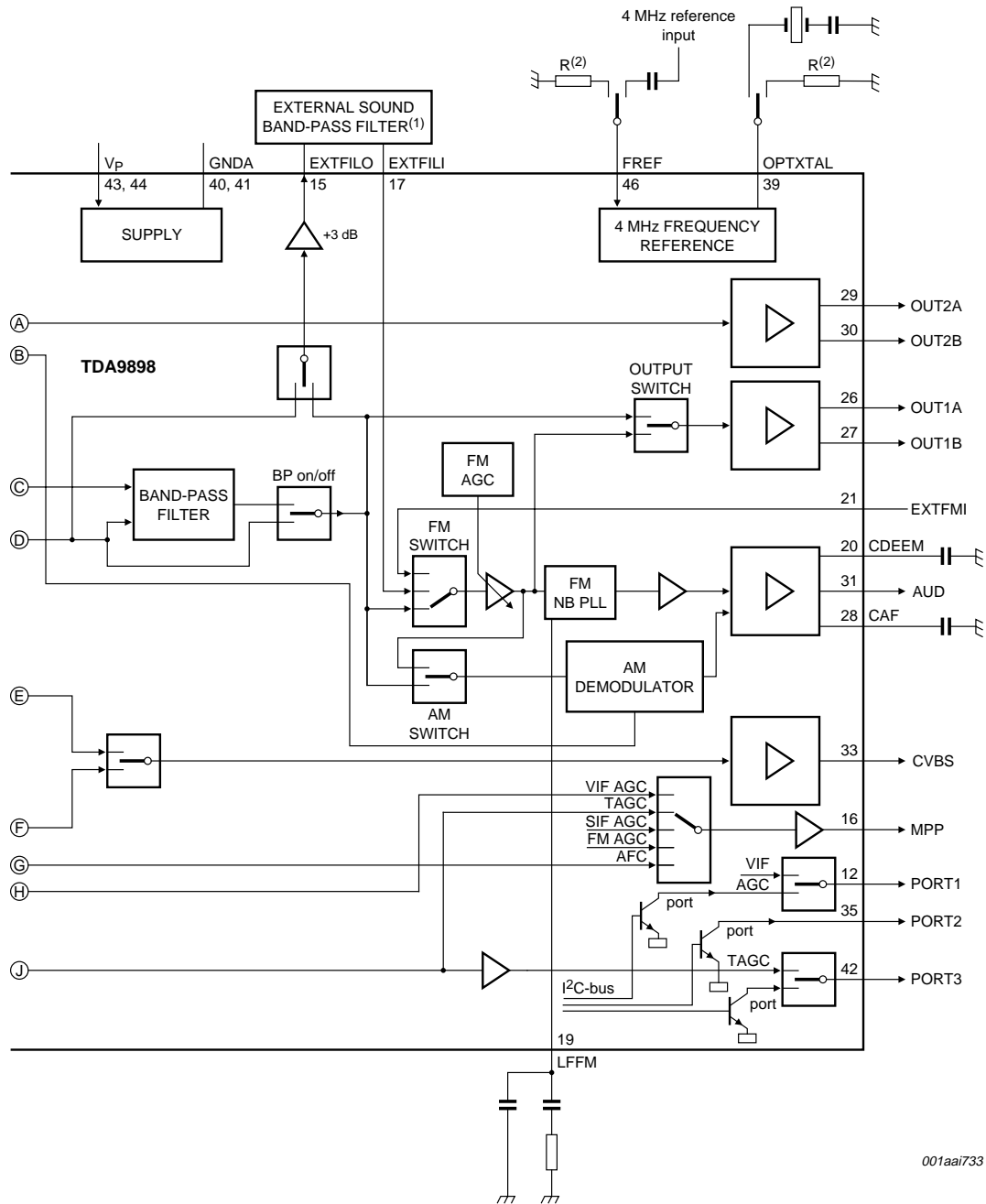


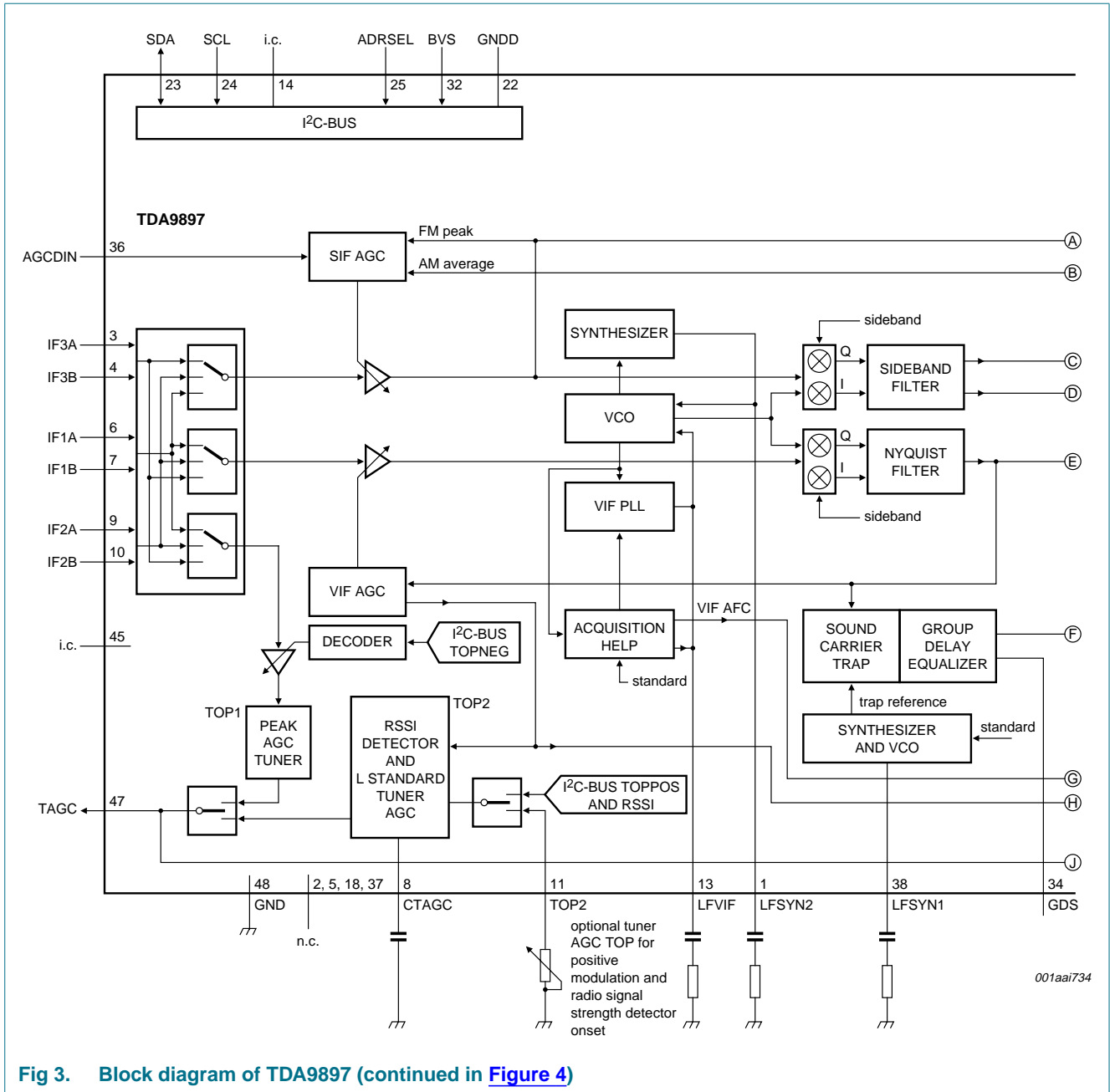
Fig 1. Block diagram of TDA9898 (continued in Figure 2)



001aa1733

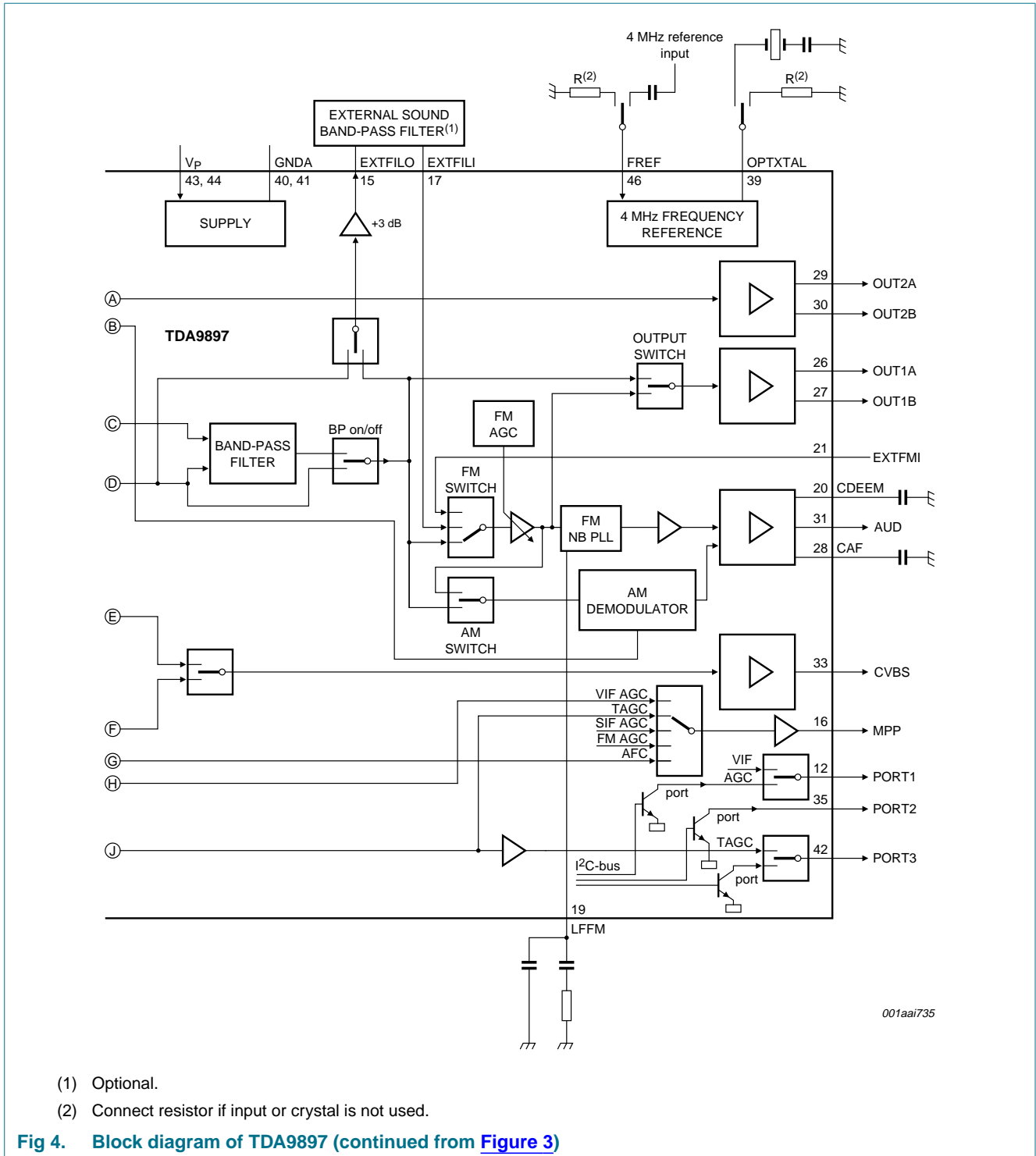
- (1) Optional.
- (2) Connect resistor if input or crystal is not used.

Fig 2. Block diagram of TDA9898 (continued from Figure 1)



001aai734

Fig 3. Block diagram of TDA9897 (continued in Figure 4)



001aa1735

7. Pinning information

7.1 Pinning

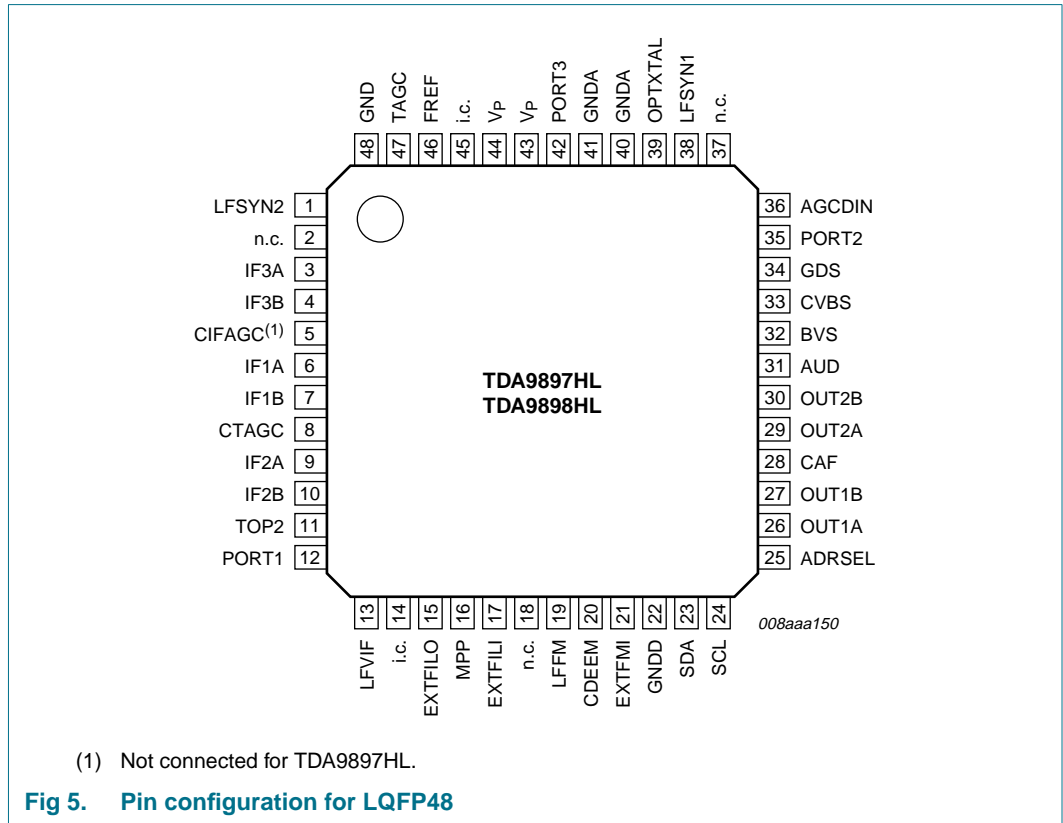
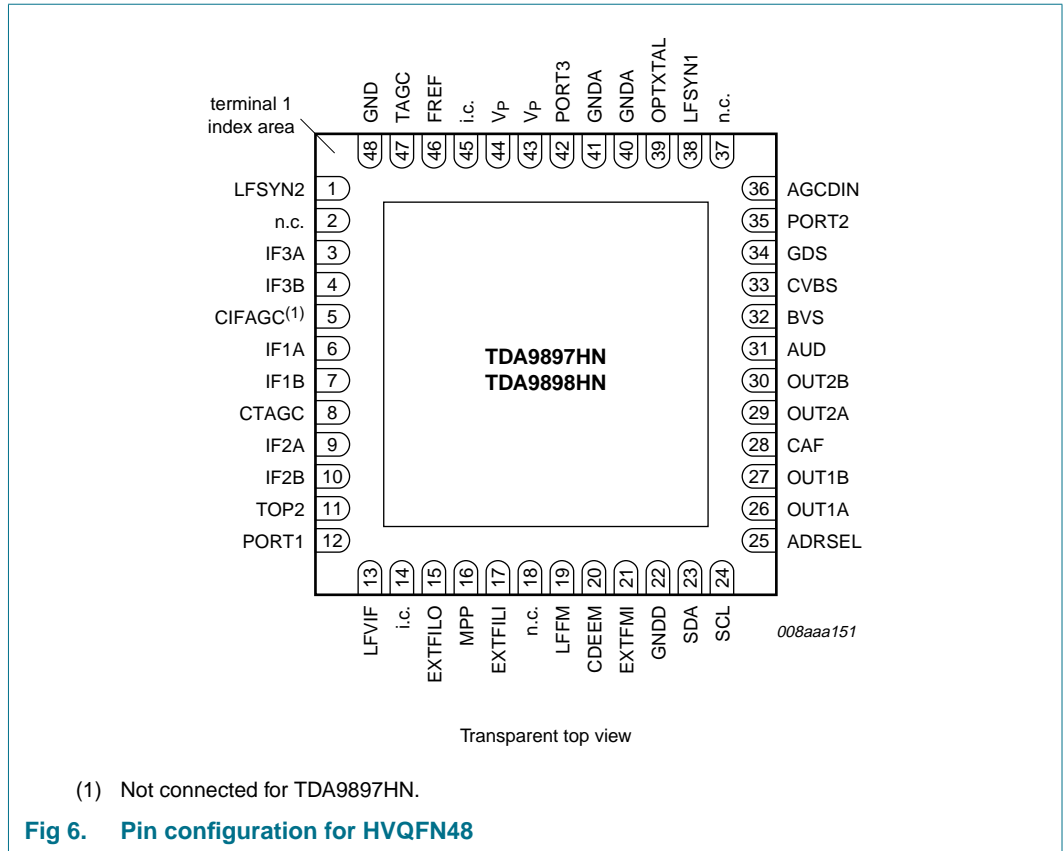


Fig 5. Pin configuration for LQFP48



7.2 Pin description

Table 3. Pin description

Symbol	Pin	Description
LFSYN2	1	loop filter synthesizer 2 (conversion synthesizer)
n.c.	2	not connected
IF3A	3	IF symmetrical input 3 for sound
IF3B	4	
CIFAGC	5	TDA9898: IF AGC capacitor; L standard TDA9897: not connected
IF1A	6	IF symmetrical input 1 for vision or digital
IF1B	7	
CTAGC	8	TAGC capacitor
IF2A	9	IF symmetrical input 2 for vision or digital
IF2B	10	
TOP2	11	TOP potentiometer for positive modulated standards and RSSI reference
PORT1	12	digital port function 1 or VIF AGC monitor output
LRVIF	13	loop filter VIF PLL
i.c.	14	internally connected; connect to ground
EXTFILO	15	output to external filter

Table 3. Pin description ...continued

Symbol	Pin	Description
MPP	16	multipurpose pin: VIF AGC or SIF AGC or FM AGC or TAGC or VIF AFC or FM AFC monitor output
EXTFILI	17	input from external filter
n.c.	18	not connected
LFFM	19	loop filter FM PLL
CDEEM	20	de-emphasis capacitor
EXTFMI	21	external FM input
GNDD	22	digital ground
SDA	23	I ² C-bus data input and output
SCL	24	I ² C-bus clock input
ADRSEL	25	address select
OUT1A	26	low IF or 2nd sound intercarrier symmetrical output
OUT1B	27	
CAF	28	Direct Current (DC) decoupling capacitor
OUT2A	29	1st Digital IF (DIF) symmetrical output
OUT2B	30	
AUD	31	audio signal output
BVS	32	I ² C-bus voltage select
CVBS	33	composite video signal output
GDS	34	additional video group delay select; leave open for default operation ^[1]
PORT2	35	digital port function 2
AGCDIN	36	AGC input for DIF amplifier for e.g. input from channel decoder AGC
n.c.	37	not connected
LFSYN1	38	loop filter synthesizer 1 (filter control synthesizer)
OPTXTAL	39	optional quartz input
GNDA	40	analog ground
GNDA	41	analog ground
PORT3	42	digital port function 3 or TAGC monitor output
V _P	43	supply voltage
V _P	44	supply voltage
i.c.	45	internally connected; connect to ground
FREF	46	4 MHz reference input
TAGC	47	TAGC output
GND	48	ground; plateau connection

[1] Recommendation: Leave this pin open or use a capacitor to GND, as shown in the application diagrams in [Figure 47](#), [Figure 48](#) and [Figure 49](#).

8. Functional description

8.1 IF input switch

Different signal bandwidth can be handled by using two signal processing chains with individual gain control.

Switch configuration allows independent selection of filter for analog VIF and for analog SIF (used at same time) or DIF.

The switch takes into account correct signal selection for TAGC in the event of VIF and DIF signal processing.

8.2 VIF demodulator

ATV demodulation using 6 MHz DVB window (band-pass) filter (for 6 MHz, 7 MHz or 8 MHz channel width).

IF frequencies adapted to enable the use of different filter configurations. The Nyquist processing is integrated. The integrated Nyquist processing provides also adjacent channel suppression. Sideband switch supplies selection of lower or upper sideband (e.g. for L-accent).

For optional use of standard Nyquist filter the integrated Nyquist processing can be switched off.

Equalizer provides optimum pulse response at different standards [e.g. to cope with higher demands for Liquid Crystal Display (LCD) TV].

Integrated sound traps.

Sound trap reference independent from received 2nd sound IF (reference taken from integrated reference synthesizer).

IF level selection provides an optimum adaptation of the demodulator to high linearity or low noise.

8.3 VIF AGC and tuner AGC

8.3.1 Mode selection of VIF AGC

Peak white AGC for positive modulation mode with adaptation for speed up and black level AGC (using proven system from TDA9886).

For negative modulation mode equal response times for increasing or decreasing input level (optimum for amplitude fading) **or** normal peak AGC **or** ultra fast peak AGC.

8.3.2 VIF AGC monitor

VIF AGC DC voltage monitor output (with expanded internal characteristic).

VIF AGC read out via I²C-bus (for IF level indication) with zero-calibration via TOP setting (TOP setting either via I²C-bus or via TOP potentiometer).

8.3.3 Tuner AGC

Independent integral tuner gain control loop (not nested with VIF AGC). Integral characteristic provides high control accuracy.

Accurate setting of tuner control onset (TOP) for integral tuner gain control loop via I²C-bus.

For L standard, TAGC remains VIF AGC nested, as from field experience in the past this narrowband TAGC gives best performance.

Thus two switchable TAGC systems for negative/DIF and positive modulation implemented.

L standard tuner time constant switching integrated (= speed up function in the event of step into high input levels), to speed up settling time.

For TOP setting at L standard, additional adjustment via optional potentiometer or I²C-bus is provided.

Tuner AGC status bit provided.

8.4 DIF/SIF FM and AM sound AGC

External AGC control input for DIF. DIF includes direct IF and low IF.

Integrated gain control loop for SIF.

AGC control for FM SIF related to used SAW bandwidth.

Peak AGC control in the event of FM SIF.

Ultra fast SIF AGC time constant when VIF AGC set to ultra fast mode.

Slow average AGC control in the event of AM sound.

AM sound AGC related to AM sound carrier level.

Fast AM sound AGC in the event of fast VIF AGC (speed up).

SIF/FM AGC DC voltage monitor output with expanded internal characteristic.

8.5 Frequency phase-locked loop for VIF

Basic function as previous TDA9887 design.

PLL gating mode for positive and negative modulation, optional.

PLL optimized for either overmodulation or strong multipath.

8.6 DIF/SIF converter stage

Frequency conversion with sideband suppression.

Selection mode of upper or lower sideband for pass or suppression.

Suppression around zero for frequency conversion.

Conversion mode selection via synthesizer for DIF and radio mode or via VIF Frequency Phase-Locked Loop (FPLL) for TV QSS sound (FM/AM).

External BP filter (e.g. for 4.5 MHz) for additional filtering, optional.

Bypass mode selection for use of external filter.

Integrated SIF BP tracking filter for chroma suppression.

Integrated tracking filters for LIF.

Symmetrical output stages for direct IF, LIF and 2nd SIF (intercarrier signal).

Second narrowband gain control loop for 2nd SIF via FM PLL.

8.7 Mono sound demodulator

8.7.1 FM PLL narrowband demodulation

Additional external input for either TV or radio intercarrier signal.

FM carrier selection independent from VIF trap, because VIF trap uses reference via synthesizer.

FM wide and ultra wide mode with adapted loop bandwidth and different selectable FM acquisition window widths to cope with FM overmodulation conditions.

8.7.2 AM sound demodulation

AM sound envelope detector.

L and L-accent standard without SAW switching (done by sideband selection of SIF converter).

8.8 Audio amplifier

Different gain settings for FM sound to adapt to different FM deviation.

Switchable de-emphasis for FM sound.

Automatic mute function when FM PLL is unlocked.

Forced mute function.

Output amplifier for AM sound.

8.9 Synthesizer

The synthesizer supports SIF/DIF frequency conversion. A large set of synthesizer frequencies in steps of 0.5 MHz enables flexible combination of SAW filter and required conversion frequency.

Synthesizer loop internally adapted to divider ratio range for optimum phase noise requirement (loop bandwidth).

Synthesizer reference either via 4 MHz crystal or via an external source. Individual pins for crystal and external reference allows optimum interface definition and supports use of custom reference frequency offset.

8.10 I²C-bus transceiver and slave address

Four different I²C-bus device addresses to enable application with multi-IC use.

I²C-bus transceiver input ports can handle three different I²C-bus voltages.

Read-out functions as TDA9887 plus additional read out of VIF AGC and VIFLOCK, BLCKLEV and TAGC status.

Table 4. Slave address detection

Slave address	Selectable address bit		Pin ADRSEL
	A3	A0	
MAD1	0	1	GND
MAD2	0	0	V _P
MAD3	1	1	resistor to GND
MAD4	1	0	resistor to V _P

9. I²C-bus control

Table 5. Slave addresses

For MAD activation via pin ADRSEL: see [Table 4](#).

Slave address		Bit						
Name	Value	A6	A5	A4	A3	A2	A1	A0
MAD1	43h	1	0	0	0	0	1	1
MAD2	42h	1	0	0	0	0	1	0
MAD3	4Bh	1	0	0	1	0	1	1
MAD4	4Ah	1	0	0	1	0	1	0

9.1 Read format

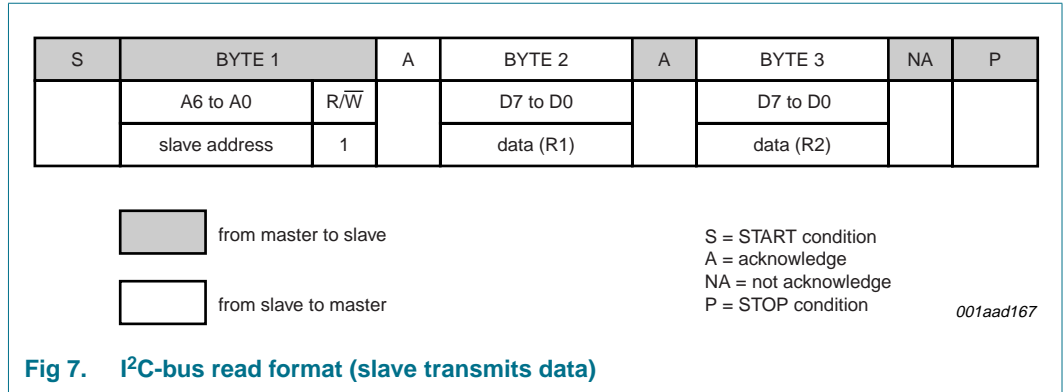


Fig 7. I²C-bus read format (slave transmits data)

Table 6. R1 - data read register 1 bit allocation

7	6	5	4	3	2	1	0
AFCWIN	BLCKLEV	CARRDET	AFC4	AFC3	AFC2	AFC1	PONR

Table 7. R1 - data read register 1 bit description

Bit	Symbol	Description
7	AFCWIN	AFC window ^[1] 1 = VCO in ±1.6 MHz AFC window ^[2] 1 = VCO in ±0.8 MHz AFC window ^[3] 0 = VCO out of ±1.6 MHz AFC window ^[2] 0 = VCO out of ±0.8 MHz AFC window ^[3]
6	BLCKLEV	black level detection 1 = black level detected 0 = no black level detected
5	CARRDET	FM carrier detection ^[4] 1 = detection (FM PLL is locked and level is less than 6 dB below gain controlled range of FM AGC) 0 = no detection
4 to 1	AFC[4:1]	automatic frequency control; see Table 8
0	PONR	power-on reset 1 = after power-on reset or after supply breakdown 0 = after a successful reading of the status register

[1] If no IF input is applied, then bit AFCWIN can be logic 1 due to the fact that the VCO is forced to the AFC window border for fast lock-in behavior.
 [2] All standards except M/N standard.
 [3] M/N standard.
 [4] Typical time constant of FM carrier detection is 50 ms. The minimal recommended wait time for read out is 80 ms.

Table 8. Automatic frequency control bits

f_{nom} is the nominal frequency.

Bit				f[1]
AFC4	AFC3	AFC2	AFC1	
R1[4]	R1[3]	R1[2]	R1[1]	
0	1	1	1	$\leq (f_{nom} - 187.5 \text{ kHz})$
0	1	1	0	$f_{nom} - 162.5 \text{ kHz}$
0	1	0	1	$f_{nom} - 137.5 \text{ kHz}$
0	1	0	0	$f_{nom} - 112.5 \text{ kHz}$
0	0	1	1	$f_{nom} - 87.5 \text{ kHz}$
0	0	1	0	$f_{nom} - 62.5 \text{ kHz}$
0	0	0	1	$f_{nom} - 37.5 \text{ kHz}$
0	0	0	0	$f_{nom} - 12.5 \text{ kHz}$
1	1	1	1	$f_{nom} + 12.5 \text{ kHz}$
1	1	1	0	$f_{nom} + 37.5 \text{ kHz}$
1	1	0	1	$f_{nom} + 62.5 \text{ kHz}$
1	1	0	0	$f_{nom} + 87.5 \text{ kHz}$
1	0	1	1	$f_{nom} + 112.5 \text{ kHz}$
1	0	1	0	$f_{nom} + 137.5 \text{ kHz}$
1	0	0	1	$f_{nom} + 162.5 \text{ kHz}$
1	0	0	0	$\geq (f_{nom} + 187.5 \text{ kHz})$

[1] In ATV mode f means vision intermediate frequency; in radio mode f means radio intermediate frequency.

Table 9. R2 - data read register 2 bit allocation

7	6	5	4	3	2	1	0
VIFLOCK	TAGC	VAGC5	VAGC4	VAGC3	VAGC2	VAGC1	VAGC0

Table 10. R2 - data read register 2 bit description

Bit	Symbol	Description
7	VIFLOCK	VIF PLL lock-in detection 1 = VIF PLL is locked 0 = VIF PLL is not locked
6	TAGC	tuner AGC 1 = active 0 = inactive
5 to 0	VAGC[5:0]	AGC level detector; VIF AGC in ATV mode, SIF AGC in radio mode and DIF AGC in DTV mode; see Table 11

Table 11. AGC bits

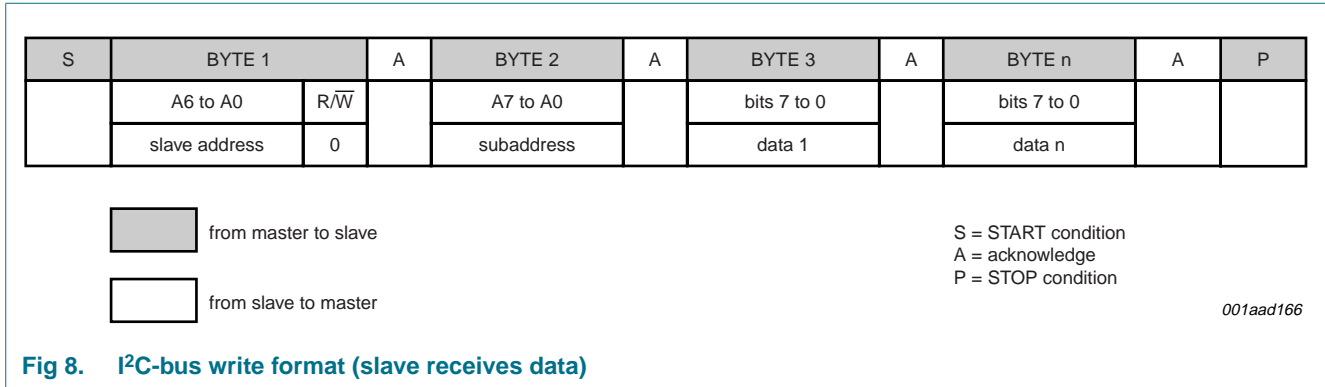
Bit						Typical $\Delta V_{AGC(VIF)}$ (V)
VAGC5	VAGC4	VAGC3	VAGC2	VAGC1	VAGC0	
R2[5]	R2[4]	R2[3]	R2[2]	R2[1]	R2[0]	
1	1	1	1	1	1	0 (TOP) ^[1]
1	1	1	1	1	0	-0.04
1	1	1	1	0	1	-0.08
1	1	1	1	0	0	-0.12
1	1	1	0	1	1	-0.16
1	1	1	0	1	0	-0.20
1	1	1	0	0	1	-0.24
1	1	1	0	0	0	-0.28
1	1	0	1	1	1	-0.32
1	1	0	1	1	0	-0.36
1	1	0	1	0	1	-0.40
1	1	0	1	0	0	-0.44
1	1	0	0	1	1	-0.48
1	1	0	0	1	0	-0.52
1	1	0	0	0	1	-0.56
1	1	0	0	0	0	-0.60
1	0	1	1	1	1	-0.64
1	0	1	1	1	0	-0.68
1	0	1	1	0	1	-0.72
1	0	1	1	0	0	-0.76
1	0	1	0	1	1	-0.80
1	0	1	0	1	0	-0.84
1	0	1	0	0	1	-0.88
1	0	1	0	0	0	-0.92
1	0	0	1	1	1	-0.96
1	0	0	1	1	0	-1.00
1	0	0	1	0	1	-1.04
1	0	0	1	0	0	-1.08
1	0	0	0	1	1	-1.12
1	0	0	0	1	0	-1.16
1	0	0	0	0	1	-1.20
1	0	0	0	0	0	-1.24
0	1	1	1	1	1	-1.28
0	1	1	1	1	0	-1.32
0	1	1	1	0	1	-1.36
0	1	1	1	0	0	-1.40
0	1	1	0	1	1	-1.44
0	1	1	0	1	0	-1.48
0	1	1	0	0	1	-1.52

Table 11. AGC bits ...continued

Bit						Typical $\Delta V_{AGC(VIF)}$ (V)
VAGC5	VAGC4	VAGC3	VAGC2	VAGC1	VAGC0	
R2[5]	R2[4]	R2[3]	R2[2]	R2[1]	R2[0]	
0	1	1	0	0	0	-1.56
0	1	0	1	1	1	-1.60
0	1	0	1	1	0	-1.64
0	1	0	1	0	1	-1.68
0	1	0	1	0	0	-1.72
0	1	0	0	1	1	-1.76
0	1	0	0	1	0	-1.80
0	1	0	0	0	1	-1.84
0	1	0	0	0	0	-1.88
0	0	1	1	1	1	-1.92
0	0	1	1	1	0	-1.96
0	0	1	1	0	1	-2.00
0	0	1	1	0	0	-2.04
0	0	1	0	1	1	-2.08
0	0	1	0	1	0	-2.12
0	0	1	0	0	1	-2.16
0	0	1	0	0	0	-2.20
0	0	0	1	1	1	-2.24
0	0	0	1	1	0	-2.28
0	0	0	1	0	1	-2.32
0	0	0	1	0	0	-2.36
0	0	0	0	1	1	-2.40
0	0	0	0	1	0	-2.44
0	0	0	0	0	1	-2.48
0	0	0	0	0	0	-2.52

[1] The reference of 0 (TOP) can be adjusted via TOPPOS[4:0] (register W10; see [Table 47](#) and [Table 45](#)) or via potentiometer at pin TOP2.

9.2 Write format



9.2.1 Subaddress

Table 12. W0 - subaddress register bit allocation

7	6	5	4	3	2	1	0
A7	A6	A5	A4	A3	A2	A1	A0

Table 13. W0 - subaddress register bit description

Bit	Symbol	Description
7 to 4	A[7:4]	has to be set to logic 0
3 to 0	A[3:0]	subaddress; see Table 14

Table 14. Subaddress control bits

Bit	Mode				
	A3	A2	A1	A0	
0	0	0	0	0	subaddress for register W1
0	0	0	0	1	subaddress for register W2
0	0	0	1	0	subaddress for register W3
0	0	0	1	1	subaddress for register W4
0	0	1	0	0	subaddress for register W5
0	0	1	0	1	subaddress for register W6
0	0	1	1	0	subaddress for register W7
0	0	1	1	1	subaddress for register W8
1	0	0	0	0	subaddress for register W9
1	0	0	0	1	subaddress for register W10
1	0	0	1	0	subaddress for register W11

Table 15. I²C-bus write register overview

The register setting after power-on is not specified.

Register	7	6	5	4	3	2	1	0
W1 ^[1]	RADIO	STD1	STD0	TV	0	0	FM	EXTFIL
W2 ^[2]	MOD	STD4	STD3	STD2	SB	PLL	GATE	TRAP
W3 ^[3]	RESCAR	AMUTE	FMUTE	FMWIDE0	DEEMT	DEEM	AGAIN1	AGAIN0
W4 ^[4]	VIFLEVEL	BP	MPPS1	MPPS0	AMMODE	IFIN1	IFIN0	VIFIN
W5 ^[5]	FSFREQ1	FSFREQ0	SFREQ5	SFREQ4	SFREQ3	SFREQ2	SFREQ1	SFREQ0
W6 ^[6]	TAGC1	TAGC0	AGC2	AGC1	FMWIDE1	TWOFLO	VIDEO1V7	DIRECT
W7 ^[7]	EXTFILO	VAGC	SIFLEVEL	VIDLEVEL	PORT1	MODEP1	FILOUTBP	NYQOFF
W8 ^[8]	FEATURE	AVIDRED	MODEP3	TAGCIN3	FORCESP	PORT3	PORT2	0
W9 ^[9]	DAGCSLOPE	TAGCIS	TAGCTC	TOPNEG4	TOPNEG3	TOPNEG2	TOPNEG1	TOPNEG0
W10 ^[10]	0	READTAGC	XPOTPOS	TOPPOS4	TOPPOS3	TOPPOS2	TOPPOS1	TOPPOS0
W11 ^[11]	0	0	OFFSETN	OFFSETP	BLACKAGC	GDEQ	VIFIN3	VIF31875

- [1] See [Table 17](#) for detailed description of W1.
- [2] See [Table 23](#) for detailed description of W2.
- [3] See [Table 27](#) for detailed description of W3.
- [4] See [Table 29](#) for detailed description of W4.
- [5] See [Table 33](#) for detailed description of W5.
- [6] See [Table 37](#) for detailed description of W6.
- [7] See [Table 40](#) for detailed description of W7.
- [8] See [Table 42](#) for detailed description of W8.
- [9] See [Table 44](#) for detailed description of W9.
- [10] See [Table 47](#) for detailed description of W10.
- [11] See [Table 50](#) for detailed description of W11.

9.2.2 Description of data bytes

Table 16. W1 - data write register bit allocation

7	6	5	4	3	2	1	0
RADIO	STD1	STD0	TV	0	0	FM	EXTFIL

Table 17. W1 - data write register bit description

Bit	Symbol	Description
7	RADIO	FM mode 1 = radio 0 = ATV/DTV
6 and 5	STD[1:0]	2nd sound IF; see Table 18 and Table 19
4	TV	TV mode 1 = ATV QSS 0 = DTV; direct IF or LIF; depends on setting of TV mode (W6[0])
3 and 2	-	0 = fixed value
1 and 0	FM and EXTFIL	FM and output switching; see Table 21

Table 18. Intercarrier sound BP and FM PLL frequency select for ATV, QSS mode

For description of bit MOD refer to [Table 23](#) and bits FSFREQ[1:0] are described in [Table 33](#).

Bit						f _{FMPLL} (MHz)	Sound BP
RADIO	MOD	STD1	STD0	FSFREQ1	FSFREQ0		
W1[7]	W2[7]	W1[6]	W1[5]	W5[7]	W5[6]		
0	1	0	0	X	X	4.5	M/N standard
0	1	0	1	X	X	5.5	B/G standard
0	1	1	0	X	X	6.0	I standard
0	1	1	1	X	X	6.5	D/K standard
0	0	1	1	X	X	off	L/L-accent standard

Table 19. Intercarrier sound BP and FM PLL frequency select for radio

For description of bit MOD refer to [Table 23](#) and bits FSFREQ[1:0] are described in [Table 33](#).

Bit						f _{FMPLL} (MHz)	Sound BP
RADIO	MOD	STD1	STD0	FSFREQ1	FSFREQ0		
W1[7]	W2[7]	W1[6]	W1[5]	W5[7]	W5[6]		
1	1	X	X	0	0	4.5	M/N standard
1	1	X	X	0	1	5.5	B/G standard
1	1	X	X	1	0	6.0	I standard
1	1	X	X	1	1	6.5	D/K standard

Table 20. Intercarrier sound FM PLL frequency select for radio 10.7 MHz

For description of bit MOD refer to [Table 23](#) and for BP refer to [Table 29](#).

Bit			f _{FMPLL} (MHz)
BP	MOD	RADIO	
W4[6]	W2[7]	W1[7]	
0	0	1	10.7

Table 21. 2nd intercarrier and sound I/O switching

Switch input numbering in accordance with [Figure 9](#).

AMMODE	MOD	FM	EXTFIL	Audio mode	Input signal selection			Signal at OUT1A and OUT1B		Mono sound
					Input switch			Output switch		
					FM input	AM input	Signal path	Input	Signal path	
X	1	0	0	FM sound	1	X	internal	6	internal BP via FM AGC	internal BP
X	1	0	1		2	X	EXTFILI	7	internal BP	external BP
X	1	1	0		3	X	EXTFMI	7	internal BP	external input
X	1	1	1		2	X	EXTFILI	6	external BP via FM AGC	external BP
0	0	0	0	AM sound 1	1	5	internal	6	internal BP + 6 dB	internal BP
0	0	0	1		X	5	internal	7	internal BP	internal BP
0	0	1	0		X	5	internal	7	internal BP	internal BP
0	0	1	1		2	5	EXTFILI	6	external BP	internal BP
1	0	0	0	AM sound 2	2	4	EXTFILI	7	internal BP	external BP
1	0	0	1		X	5	internal	7	internal BP	internal BP
1	0	1	0		X	5	internal	7	internal BP	internal BP
1	0	1	1		2	4	EXTFILI	6	external BP	external BP

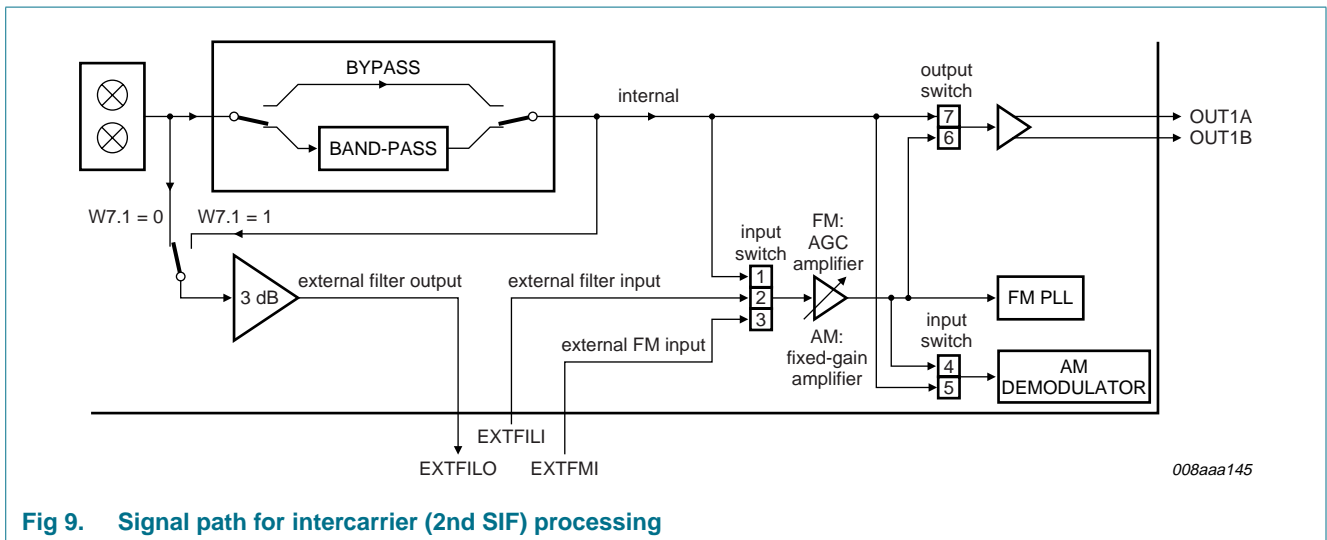


Fig 9. Signal path for intercarrier (2nd SIF) processing

Table 22. W2 - data write register bit allocation

7	6	5	4	3	2	1	0
MOD	STD4	STD3	STD2	SB	PLL	GATE	TRAP

Table 23. W2 - data write register bit description

Bit	Symbol	Description
7	MOD	modulation 1 = negative; FM mono sound at ATV 0 = positive; AM mono sound at ATV
6 to 4	STD[4:2]	vision IF; see Table 24
3	SB	sideband for sound IF and digital low IF 1 = upper 0 = lower
2	PLL	operating modes; see Table 25
1	GATE	PLL gating 1 = on; $f_{PC} = f_{VIF} \pm 175$ kHz 0 = off
0	TRAP	sound trap 1 = on 0 = bypass

Table 24. Vision IF

Bit						f _{VIF} (MHz)	Sideband in case of W7[0] = 0
VIF31875	NYQOFF	MOD	STD4	STD3	STD2	TV = 1 (QSS)	
W11[0] ^[1]	W7[0]	W2[7]	W2[6]	W2[5]	W2[4]		
X	X	X	0	0	0	38.0	low
X	X	X	0	0	1	38.375	low
X	X	X	0	1	0	38.875	low
X	X	X	0	1	1	39.875	low
X	X	1	1	0	0	45.75	low
X	X	1	1	0	1	58.75	low
X	X	1	1	1	0	46.25	low
X	X	1	1	1	1	59.25	low
0	0	0	1	0	0	32.25	high
0	0	0	1	0	1	32.625	high
0	0	0	1	1	0	33.125	high
0	0	0	1	1	1	33.625	high
1	X	0	1	0	0	31.875	high
X	1	0	1	0	1	33.9	-
1	0	0	1	0	1	33.9	high
1	X	0	1	1	0	35.0	high
1	X	0	1	1	1	36.0	high

[1] Register W11 is logical AND protected by bit W8[7]. Therefore it is required to set W8[7] = 1 to enable pass of any W11 bit.

Table 25. VIF PLL gating and detector mode

Bit		Gating and detector mode
MOD	PLL	
W2[7]	W2[2]	
0	0	0 % gating in positive modulation mode (W2[1] = 1)
0	1	36 % gating in positive modulation mode (W2[1] = 1)
1	0	π mode on; optimized for overmodulation in negative modulation mode; f _{PC} = f _{VIF} ± 175 kHz
1	1	π mode off; optimized for multipath in negative modulation mode; f _{PC} = f _{VIF} ± 175 kHz

Table 26. W3 - data write register bit allocation

7	6	5	4	3	2	1	0
RESCAR	AMUTE	FMUTE	FMWIDE0	DEEMT	DEEM	AGAIN1	AGAIN0

Table 27. W3 - data write register bit description

Bit	Symbol	Description
7	RESCAR	video gain correction for residual carrier 1 = 20 % residual carrier 0 = 10 % residual carrier
6	AMUTE	auto mute 1 = on 0 = off
5	FMUTE	forced mute 1 = on 0 = off
4	FMWIDE0	FM window (W6[3] = 0) 1 = 475 kHz; normal FM phase detector steepness 0 = 237.5 kHz; high FM phase detector steepness
3	DEEMT	de-emphasis time 1 = 50 μ s 0 = 75 μ s
2	DEEM	de-emphasis 1 = on 0 = off
1 and 0	AGAIN[1:0]	audio gain 00 = 0 dB 01 = -6 dB 10 = -12 dB (only for FM mode) 11 = -18 dB (only for FM mode)

Table 28. W4 - data write register bit allocation

7	6	5	4	3	2	1	0
VIFLEVEL	BP	MPPS1	MPPS0	AMMODE	IFIN1	IFIN0	VIFIN

Table 29. W4 - data write register bit description

Bit	Symbol	Description
7	VIFLEVEL	control of internal VIF mixer input level (W1[4] = 1) and OUT1/OUT2 output level; see Table 30 1 = reduced ^[1] 0 = normal
6	BP	SIF/DIF BP 1 = on (bit W6[0] = 0; see Table 37) 0 = bypass
5 and 4	MPPS[1:0]	AGC or AFC output; see Table 31
3	AMMODE	AM mode extension; see Table 21 1 = second selection set 0 = first selection set
2 and 1	IFIN[1:0]	DIF/SIF input 00 = IF1A/B input 01 = IF3A/B input 10 = not used 11 = IF2A/B input
0	VIFIN	VIF input (W11[1] = 0) 1 = IF1A/B input 0 = IF2A/B input

[1] Not recommended in combination with internal video level set to reduced (W7[4] = 1).

Table 30. List of output signals at OUT1 and OUT2

Bit				Output signal at	
TV	DIRECT	FM	EXTFIL	OUT1A, OUT1B	OUT2A, OUT2B
W1[4]	W6[0]	W1[1]	W1[0]		
0	0	X	X	low IF	off
0	1	X	X	off	direct IF
1	X	0	0	intercarrier ^[1]	off
1	X	0	1	intercarrier ^[2]	off
1	X	1	0	intercarrier ^[2]	off
1	X	1	1	intercarrier ^[1]	off

[1] Intercarrier output level based on wideband AGC of SIF amplifier.

[2] Intercarrier output level based on narrowband AGC of FM amplifier.

Table 31. Output mode at pin MPP for ATV or radio mode

Bit				Pin MPP output mode
VAGC	RADIO	MPPS1	MPPS0	
W7[6]	W1[7]	W4[5]	W4[4]	
0	X	0	0	gain control voltage of FM PLL
0	X	0	1	gain control voltage of SIF amplifier
0	X	1	0	TAGC monitor voltage
0	0	1	1	AFC current output, VIF PLL
0	1	1	1	AFC current output, radio mode
1	X	0	0	gain control voltage of VIF amplifier

Table 32. W5 - data write register bit allocation

7	6	5	4	3	2	1	0
FSFREQ1	FSFREQ0	SFREQ5	SFREQ4	SFREQ3	SFREQ2	SFREQ1	SFREQ0

Table 33. W5 - data write register bit description

Bit	Symbol	Description
7 and 6	FSFREQ[1:0]	DTV filter or sound trap selection for video ATV ; sound trap; TV = 1; see Table 16 and Table 17 00 = M/N standard (4.5 MHz) 01 = B/G standard (5.5 MHz) 10 = I standard (6.0 MHz) 11 = D/K and L/L-accent standard (6.5 MHz) DTV (low IF) ; upper BP cut-off frequency; TV = 0; see Table 16 and Table 17 00 = 7.0 MHz 01 = 8.0 MHz 10 = 9.0 MHz 11 = recommended mode for direct IF; W6[0] = 1
5 to 0	SFREQ[5:0]	synthesizer frequencies; see Table 34 and Table 35

Table 34. DIF/SIF synthesizer frequencies (using bit TWOFLO = 0)

Bit						f _{synth} (MHz)
SFREQ5	SFREQ4	SFREQ3	SFREQ2	SFREQ1	SFREQ0	
W5[5]	W5[4]	W5[3]	W5[2]	W5[1]	W5[0]	
1	1	1	1	1	1	22.0
1	1	1	1	1	0	22.5
1	1	1	1	0	1	23.0
1	1	1	1	0	0	23.5
1	1	1	0	1	1	24.0
1	1	1	0	1	0	24.5
1	1	1	0	0	1	25.0
1	1	1	0	0	0	25.5
1	1	0	1	1	1	26.0
1	1	0	1	1	0	26.5
1	1	0	1	0	1	27.0
1	1	0	1	0	0	27.5
1	1	0	0	1	1	28.0
1	1	0	0	1	0	28.5
1	1	0	0	0	1	29.0
1	1	0	0	0	0	29.5
1	0	1	1	1	1	30.0
1	0	1	1	1	0	30.5
1	0	1	1	0	1	31.0
1	0	1	1	0	0	31.5
1	0	1	0	1	1	32.0
1	0	1	0	1	0	32.5
1	0	1	0	0	1	33.0
1	0	1	0	0	0	33.5
1	0	0	1	1	1	34.0
1	0	0	1	1	0	34.5
1	0	0	1	0	1	35.0
1	0	0	1	0	0	35.5
1	0	0	0	1	1	36.0
1	0	0	0	1	0	36.5
1	0	0	0	0	1	37.0
1	0	0	0	0	0	37.5
0	1	1	1	1	1	38.0
0	1	1	1	1	0	38.5
0	1	1	1	0	1	39.0
0	1	1	1	0	0	39.5
0	1	1	0	1	1	40.0
0	1	1	0	1	0	40.5
0	1	1	0	0	1	41.0

Table 34. DIF/SIF synthesizer frequencies (using bit TWOFLO = 0) ...continued

Bit						f _{synth} (MHz)
SFREQ5	SFREQ4	SFREQ3	SFREQ2	SFREQ1	SFREQ0	
W5[5]	W5[4]	W5[3]	W5[2]	W5[1]	W5[0]	
0	1	1	0	0	0	41.5
0	1	0	1	1	1	42.0
0	1	0	1	1	0	42.5
0	1	0	1	0	1	43.0
0	1	0	1	0	0	43.5
0	1	0	0	1	1	44.0
0	1	0	0	1	0	44.5
0	1	0	0	0	1	45.0
0	1	0	0	0	0	45.5
0	0	1	1	1	1	46.0
0	0	1	1	1	0	46.5
0	0	1	1	0	1	47.0
0	0	1	1	0	0	47.5
0	0	1	0	1	1	48.0
0	0	1	0	1	0	48.5
0	0	1	0	0	1	49.0
0	0	1	0	0	0	49.5
0	0	0	1	1	1	50.0
0	0	0	1	1	0	50.5
0	0	0	1	0	1	51.0
0	0	0	1	0	0	51.5
0	0	0	0	1	1	52.0
0	0	0	0	1	0	52.5
0	0	0	0	0	1	53.0
0	0	0	0	0	0	53.5

Table 35. DIF/SIF synthesizer frequency for Japan (using bit TWOFLO = 1)

Bit						f _{synth} (MHz)
SFREQ5	SFREQ4	SFREQ3	SFREQ2	SFREQ1	SFREQ0	
W5[5]	W5[4]	W5[3]	W5[2]	W5[1]	W5[0]	
1	1	0	0	1	0	57

Table 36. W6 - data write register bit allocation

7	6	5	4	3	2	1	0
TAGC1	TAGC0	AGC2	AGC1	FMWIDE1	TWOFLO	VIDEO1V7	DIRECT

Table 37. W6 - data write register bit description

Bit	Symbol	Description
7 and 6	TAGC[1:0]	tuner AGC mode ^[1] 00 = TAGC integral loop mode; all currents off 01 = TAGC integral loop mode; source current off 10 = TAGC integral loop mode 11 = TAGC derived from IF AGC; recommended for positive modulated signals
5 and 4	AGC[2:1]	AGC mode and behavior; see Table 38
3	FMWIDE1	FM window 1 = 1 MHz 0 = see Table 27 bit FMWIDE0
2	TWOFLO	synthesizer frequency selection 1 = Japan mode (57 MHz) 0 = synthesizer mode
1	VIDEO1V7	video output level selection; sound carrier trap set to on (W2[0] = 1); see Table 22 and Table 23 1 = 1.7 V at CVBS 0 = 2.0 V at CVBS
0	DIRECT	direct IF at DTV mode; TV set to DTV (W1[4] = 0); see Table 16 and Table 17 1 = direct IF output 0 = low IF output

[1] In TAGC integral loop mode the pin TAGC provides sink and source currents for control. TakeOver Point (TOP) is set via register TOPNEG W9[4:0].

Table 38. AGC mode and behavior

Bit				VIF AGC mode	SIF AGC mode
MOD	FORCESP	AGC2	AGC1		
W2[7]	W8[3]	W6[5]	W6[4]		
0	0	0	0	normal	normal
0	0	0	1	minimum gain	minimum gain
0	0	1	0	normal	normal
0	0	1	1	normal	fast
0	1	X	X	fast	fast
1	X	0	0	normal	normal
1	X	0	1	minimum gain	minimum gain
1	X	1	0	2nd	normal
1	X	1	1	2nd fast	fast

Table 39. W7 - data write register bit allocation

7	6	5	4	3	2	1	0
EXTFILO	VAGC	SIFLEVEL	VIDLEVEL	PORT1	MODEP1	FILOUTBP	NYQOFF

Table 40. W7 - data write register bit description

Bit	Symbol	Description
7	EXTFILO	mute of output buffer of pin EXTFILO 1 = mute 0 = normal
6	VAGC	gain control voltage of VIF amplifier at pin MPP; see Table 31
5	SIFLEVEL	SIF level reduction 1 = internal SIF level is reduced by 6 dB (only for AM sound) 0 = internal SIF level is normal
4	VIDLEVEL	video level reduction 1 = internal video level is reduced by 6 dB ^[1] 0 = internal video level is normal
3	PORT1	output state; port 1 mode selection set to logic output port (W7[2] = 1) 1 = output port is HIGH (external pull-up resistor needed) 0 = output port is LOW
2	MODEP1	port 1 mode selection; pin PORT1 1 = logic output port; level controlled by bit PORT1 (W7[3]) 0 = monitor output of VIF AGC voltage
1	FILOUTBP	external filter output signal source; see Figure 9 1 = signal for external filter is obtained behind internal BP filter 0 = signal for external filter is obtained behind SIF mixer
0	NYQOFF	internal Nyquist processing; see Table 24 1 = internal Nyquist processing off ^[2] 0 = internal Nyquist processing on

[1] Not recommended in combination with internal IF level set to reduced (W4[7] = 1).

[2] At internal Nyquist processing off (W7[0] = 1) it is mandatory to set the internal video level to normal (W7[4] = 0).

Table 41. W8 - data write register bit allocation

7	6	5	4	3	2	1	0
FEATURE	AVIDRED	MODEP3	TAGCIN3	FORCESP	PORT3	PORT2	0

Table 42. W8 - data write register bit description

Bit	Symbol	Description
7	FEATURE	feature enable 1 = feature PORT2; PORT3 monitor output of TAGC voltage and data write register W11[7:0] enabled 0 = feature disabled; pin PORT2 and pin PORT3 set to high-ohmic; data write register W11[7:0] = 0000 0000
6	AVIDRED	automatic reduction of internal video level for PC / SC < 11.0 dB 1 = enabled 0 = disabled
5	MODEP3	port 3 mode selection; pin PORT3 1 = logic output port; level controlled by bit PORT3 (W8[2]) 0 = monitor output of TAGC voltage
4	TAGCIN3	TAGC IF input selection; feature enable set to enable (W8[7] = 1) 1 = IF3A and IF3B input 0 = IF1A and IF1B input or IF2A and IF2B input depends on VIF input selection (W4[0])
3	FORCESP	VIF AGC and SIF AGC fast mode activation; modulation setting (W2[7] = 0) 1 = forced 0 = automatic; dependent on video level
2	PORT3	output state; feature enable set to enable (W8[7] = 1); port 3 mode selection set to logic output port (W8[5] = 1) 1 = output port is HIGH (external pull-up resistor needed) 0 = output port is LOW
1	PORT2	output state; feature enable set to enable (W8[7] = 1) 1 = output port is HIGH (external pull-up resistor needed) 0 = output port is LOW
0	-	0 = fixed value

Table 43. W9 - data write register bit allocation

7	6	5	4	3	2	1	0
DAGCSLOPE	TAGCIS	TAGCTC	TOPNEG4	TOPNEG3	TOPNEG2	TOPNEG1	TOPNEG0

Table 44. W9 - data write register bit description

Bit	Symbol	Description
7	DAGCSLOPE	AGCDIN input characteristic; see Figure 44 1 = high voltage for high gain 0 = low voltage for high gain
6	TAGCIS	tuner AGC IF input (TOP1) 1 = inverse to VIF input 0 = aligned to VIF input
5	TAGCTC	tuner AGC charge current (TOP1) 1 = high 0 = normal
4 to 0	TOPNEG[4:0]	TOP adjustment for integral loop mode (TOP1); recommended for negative modulation; see Table 45

Table 45. Tuner takeover point adjustment bits W9[4:0]

Bit					TOP adjustment (dB μ V) ^[1]
TOPNEG4	TOPNEG3	TOPNEG2	TOPNEG1	TOPNEG0	
W9[4]	W9[3]	W9[2]	W9[1]	W9[0]	
1	1	1	1	1	98.5 typical
:	:	:	:	:	see Figure 13
1	0	0	0	0	79.3 ^[2]
:	:	:	:	:	see Figure 13
0	0	0	0	0	59.6 typical

[1] Average step size is 1.255 dB typical.

[2] See [Table 53](#) for parameter tuner takeover point accuracy ($\alpha_{acc(set)TOP}$).

Table 46. W10 - data write register bit allocation

7	6	5	4	3	2	1	0
0	READTAGC	XPOTPOS	TOPPOS4	TOPPOS3	TOPPOS2	TOPPOS1	TOPPOS0

Table 47. W10 - data write register bit description

Bit	Symbol	Description
7	-	0 = fixed value
6	READTAGC	signal source for TAGC read-out on R2[6] 1 = inverse to used TAGC detector (integral or IF based) 0 = aligned to used TAGC detector (integral or IF based)

Table 47. W10 - data write register bit description ...continued

Bit	Symbol	Description
5	XPOTPOS	TOP derived from IF AGC via I ² C-bus or potentiometer (TOP2) 1 = TOP adjustment by external potentiometer at pin TOP2 0 = see Table 48
4 to 0	TOPPOS[4:0]	TOP adjustment for TAGC derived from IF AGC (TOP2); recommended for positive modulation; see Table 48

Table 48. Tuner takeover point adjustment bits W10[4:0]

Bit					TOP adjustment (dB μ V)
TOPPOS4	TOPPOS3	TOPPOS2	TOPPOS1	TOPPOS0	
W10[4]	W10[3]	W10[2]	W10[1]	W10[0]	
1	1	1	1	1	99.0 typical
:	:	:	:	:	see Figure 13
1	0	0	0	0	78.5 ^[1]
:	:	:	:	:	see Figure 13
0	0	0	0	0	56.9 typical

[1] See [Table 53](#) for parameter tuner takeover point accuracy ($\alpha_{acc(set)TOP2}$).

Table 49. W11 - data write register bit allocation

7	6	5	4	3	2	1	0
0	0	OFFSETN	OFFSETP	BLACKAGC	GDEQ	VIFIN3	VIF31875

Table 50. W11 - data write register bit description^[1]

Bit	Symbol	Description
7 and 6	-	0 = fixed value
5	OFFSETN	VIF PLL offset sink current (approximately 0.6 μ A) 1 = enabled (requires W11[4] = 0) 0 = disabled
4	OFFSETP	VIF PLL offset source current (approximately 0.6 μ A) 1 = enabled (requires W11[5] = 0) 0 = disabled
3	BLACKAGC	black level AGC 1 = disabled 0 = enabled
2	GDEQ	activate group delay equalizer 1 = on (if pin 34 is open-circuit) 1 = off (if pin 34 is connected to ground) 0 = off (if pin 34 is open-circuit) 0 = on (if pin 34 is connected to ground)
1	VIFIN3	VIF input selection 1 = IF3A and IF3B input 0 = IF1A and IF1B input or IF2A and IF2B input depends on VIF input selection (W4[0])

Table 50. W11 - data write register bit description^[1] ...continued

Bit	Symbol	Description
0	VIF31875	VIF frequency selection for global ATV application inclusive DVB-T; see Table 24
		1 = 31.875 MHz
		0 = 32.250 MHz

[1] Register W11 is logical AND protected by bit W8[7]. Therefore it is required to set W8[7] = 1 to enable pass of any W11 bit.

10. Limiting values

Table 51. Limiting values

In accordance with the Absolute Maximum Rating System (IEC 60134).

Symbol	Parameter	Conditions	Min	Max	Unit
V _P	supply voltage		-	5.5	V
V _n	voltage on any other pin	all pins except ground	0	V _P	V
t _{sc}	short-circuit time	to ground or V _P	-	10	s
T _{stg}	storage temperature		-40	+150	°C
T _{amb}	ambient temperature		-20	+70	°C
T _{case}	case temperature	TDA9898HL (LQFP48)	-	105	°C
		TDA9898HN (HVQFN48)	-	115	°C
		TDA9897HL (LQFP48)	-	105	°C
		TDA9897HN (HVQFN48)	-	115	°C
V _{esd}	electrostatic discharge voltage	human body model	^[1] -	±3000	V
		machine model	^[2] -	±300	V

[1] Class 2 according to JESD22-A114.

[2] Class B according to EIA/JESD22-A115.

11. Thermal characteristics

Table 52. Thermal characteristics

Symbol	Parameter	Conditions	Typ	Unit	
R _{th(j-a)}	thermal resistance from junction to ambient	in free air; 2 layer board			
			TDA9898HL (LQFP48)	67	K/W
			TDA9898HN (HVQFN48)	48	K/W
			TDA9897HL (LQFP48)	67	K/W
R _{th(j-c)}	thermal resistance from junction to case				
			TDA9898HL (LQFP48)	19	K/W
			TDA9898HN (HVQFN48)	10	K/W
			TDA9897HL (LQFP48)	19	K/W
TDA9897HN (HVQFN48)			10	K/W	

12. Characteristics

12.1 Analog TV signal processing

Table 53. Characteristics

$V_P = 5\text{ V}$; $T_{amb} = 25\text{ °C}$; see [Table 24](#) for input frequencies; B/G standard is used for the specification ($f_{PC} = 38.375\text{ MHz}$; $f_{SC} = 32.875\text{ MHz}$; $PC / SC = 13\text{ dB}$; $f_{AF} = 400\text{ Hz}$); input level $V_{i(IF)} = 10\text{ mV (RMS)}$ (sync level for B/G; peak white level for L); IF input from $50\ \Omega$ via broadband transformer 1 : 1; video modulation: Vestigial SideBand (VSB); residual carrier for B/G is 10 % and for L is 3 %; video signal in accordance with "ITU-T J.63 line 17 and line 330" or "NTC-7 Composite"; internal Nyquist slope switched on ($W7[0] = 0$); measurements taken in test circuit of [Figure 51](#); unless otherwise specified.

Symbol	Parameter	Conditions	Min	Typ	Max	Unit
Supply; pin V_P						
V_P	supply voltage		[1] 4.5	5.0	5.5	V
I_P	supply current	ATV QSS; B/G standard; sound carrier trap on; sound BP on	-	-	175	mA
Power-on reset						
$V_{P(POR)}$	power-on reset supply voltage	for start of reset at decreasing supply voltage	[2] 2.5	3.0	3.5	V
		for end of reset at increasing supply voltage; I ² C-bus transmission enable	[2] -	3.3	4.4	V
VIF amplifier; pins IF1A and IF1B or pins IF2A and IF2B or pins IF3A and IF3B						
V_I	input voltage		-	1.95	-	V
$R_{i(dif)}$	differential input resistance		[3] -	2	-	k Ω
$C_{i(dif)}$	differential input capacitance		[3] -	3	-	pF
$V_{i(IF)(RMS)}$	RMS IF input voltage	lower limit at -1 dB video output signal	-	60	100	μV
		upper limit at +1 dB video output signal	150	190	-	mV
		permissible overload	[4] -	-	320	mV
ΔG_{IF}	IF gain variation	difference between picture and sound carrier; within AGC range; $\Delta f = 5.5\text{ MHz}$	-	0.7	-	dB
$G_{VIF(cr)}$	control range VIF gain		60	66	-	dB
$f_{-3dB(VIF)l}$	lower VIF cut-off frequency		-	15	-	MHz
$f_{-3dB(VIF)u}$	upper VIF cut-off frequency		-	80	-	MHz
VIF PLL and true synchronous video demodulator[5]						
V_{LFVIF}	voltage on pin LJVIF (DC)		0.9	-	3.6	V
$f_{VCO(max)}$	maximum VCO frequency	$f_{VCO} = 2f_{PC}$	120	140	-	MHz
f_{VIF}	VIF frequency	see Table 24	-	-	-	MHz
$\Delta f_{VIF(dah)}$	digital acquisition help VIF frequency window	related to f_{VIF}				
		all standards except M/N	-	± 2.3	-	MHz
		M/N standard	-	± 1.8	-	MHz

Table 53. Characteristics ...continued

$V_P = 5\text{ V}$; $T_{amb} = 25\text{ }^\circ\text{C}$; see [Table 24](#) for input frequencies; B/G standard is used for the specification ($f_{PC} = 38.375\text{ MHz}$; $f_{SC} = 32.875\text{ MHz}$; $PC / SC = 13\text{ dB}$; $f_{AF} = 400\text{ Hz}$); input level $V_{i(IF)} = 10\text{ mV (RMS)}$ (sync level for B/G; peak white level for L); IF input from $50\text{ }\Omega$ via broadband transformer 1 : 1; video modulation: Vestigial SideBand (VSB); residual carrier for B/G is 10 % and for L is 3 %; video signal in accordance with "ITU-T J.63 line 17 and line 330" or "NTC-7 Composite"; internal Nyquist slope switched on ($W7[0] = 0$); measurements taken in test circuit of [Figure 51](#); unless otherwise specified.

Symbol	Parameter	Conditions	Min	Typ	Max	Unit
t_{acq}	acquisition time		[6] -	-	30	ms
$V_{lock(min)(RMS)}$	RMS minimum lock-in voltage	measured on active IF input pins; maximum IF gain; negative modulation mode $W2[7] = 1$ and PLL set to overmodulation mode $W2[2] = 0$ and $W2[1] = 0$	-	30	70	μV
$T_{cy(dah)}$	digital acquisition help cycle time		-	64	-	μs
$t_{w(dah)}$	digital acquisition help pulse width		64	-	-	μs
$I_{pul(acq)VIF}$	VIF acquisition pulse current	sink or source	21	-	33	μA
$K_{O(VIF)}$	VIF VCO steepness	$\Delta f_{VIF} / \Delta V_{LFVIF}$	-	26	-	MHz/V
$K_{D(VIF)}$	VIF phase detector steepness	$\Delta I_{VPLL} / \Delta \phi_{VCO(VIF)}$	-	33	-	$\mu\text{A/rad}$
$I_{offset(VIF)}$	VIF offset current		-1	0	+1	μA

Video output 2 V; pin CVBS[7]

Normal mode (sound carrier trap active) and sound carrier on

$V_{o(video)(p-p)}$	peak-to-peak video output voltage	positive or negative modulation; $W6[1] = 0$; see Figure 10					
			$W4[7] = 0$; $W7[4] = 0$	1.7	2.0	2.3	V
			$W4[7] = 1$; $W7[4] = 0$	1.7	2.0	2.3	V
			$W4[7] = 0$; $W7[4] = 1$	1.7	2.0	2.3	V
$\Delta V_{o(CVBS)}$	CVBS output voltage difference	difference between L and B/G standard; $W3[7] = 0$	$W4[7] = 0$; $W7[4] = 0$	-240	-	+240	mV
			$W4[7] = 1$; $W7[4] = 0$	-240	-	+240	mV
			$W4[7] = 0$; $W7[4] = 1$	-240	-	+240	mV
		difference between I and B/G standard; 20 % residual carrier at I standard; $W3[7] = 1$	$W4[7] = 0$; $W7[4] = 0$	-100	-	+100	mV
			$W4[7] = 1$; $W7[4] = 0$	-100	-	+100	mV
			$W4[7] = 0$; $W7[4] = 1$	-100	-	+100	mV
V_{video}/V_{sync}	video voltage to sync voltage ratio		2.0	2.33	2.75		

Table 53. Characteristics ...continued

$V_P = 5\text{ V}$; $T_{amb} = 25\text{ }^\circ\text{C}$; see [Table 24](#) for input frequencies; B/G standard is used for the specification ($f_{PC} = 38.375\text{ MHz}$; $f_{SC} = 32.875\text{ MHz}$; $PC / SC = 13\text{ dB}$; $f_{AF} = 400\text{ Hz}$); input level $V_{i(IF)} = 10\text{ mV (RMS)}$ (sync level for B/G; peak white level for L); IF input from $50\text{ }\Omega$ via broadband transformer 1 : 1; video modulation: Vestigial SideBand (VSB); residual carrier for B/G is 10 % and for L is 3 %; video signal in accordance with "ITU-T J.63 line 17 and line 330" or "NTC-7 Composite"; internal Nyquist slope switched on ($W7[0] = 0$); measurements taken in test circuit of [Figure 51](#); unless otherwise specified.

Symbol	Parameter	Conditions	Min	Typ	Max	Unit
V_{syncI}	sync level voltage	$W4[7] = 0$; $W7[4] = 0$	1.0	1.2	1.4	V
		$W4[7] = 1$; $W7[4] = 0$	0.9	1.2	1.5	V
		$W4[7] = 0$; $W7[4] = 1$	0.9	1.2	1.5	V
$V_{\text{clip(video)u}}$	upper video clipping voltage		$V_P - 1.2$	$V_P - 1$	-	V
$V_{\text{clip(video)l}}$	lower video clipping voltage		-	0.4	0.9	V
R_O	output resistance		[3] -	-	30	Ω
$I_{\text{bias(int)}}$	internal bias current (DC)	for emitter-follower	1.5	2.0	-	mA
$I_{\text{sink(o)(max)}}$	maximum output sink current	AC and DC	1	-	-	mA
$I_{\text{source(o)(max)}}$	maximum output source current	AC and DC	3.9	-	-	mA
$\Delta V_{O(\text{CVBS})}$	CVBS output voltage difference	50 dB gain control	-	-	0.5	dB
		30 dB gain control	-	-	0.1	dB
$\Delta V_{\text{blt}}/V_{\text{CVBS}}$	black level tilt to CVBS voltage ratio	negative modulation	-	-	1	%
$\Delta V_{\text{blt(v)}}/V_{\text{CVBS}}$	vertical black level tilt to CVBS voltage ratio	worst case in L standard; vision carrier modulated by test line [Vertical Interval Test Signal (VITS)] only	-	-	3	%
G_{dif}	differential gain	"ITU-T J.63 line 330"	[8]			
		B/G standard	-	-	5	%
		L standard	-	-	7	%
ϕ_{dif}	differential phase	"ITU-T J.63 line 330"	[8]			
		B/G standard	-	2	4	deg
		L standard	-	2	4	deg
$(S/N)_w$	weighted signal-to-noise ratio	B/G standard; 50 % grey video signal; unified weighting filter ("ITU-T J.61"); see Figure 20	[9] 53	57	-	dB
$(S/N)_{\text{unw}}$	unweighted signal-to-noise ratio	M/N standard; 50 IRE grey video signal; see Figure 20	47	51	-	dB
$V_{\text{PC(rsD)(RMS)}}$	RMS residual picture carrier voltage	fundamental wave and harmonics	-	2	5	mV
$\Delta f_{\text{PC(p-p)}}$	peak-to-peak picture carrier frequency variation	3 % residual carrier; 50 % serration pulses; L standard	[3] -	-	12	kHz

Table 53. Characteristics ...continued

$V_P = 5\text{ V}$; $T_{amb} = 25\text{ }^\circ\text{C}$; see [Table 24](#) for input frequencies; B/G standard is used for the specification ($f_{PC} = 38.375\text{ MHz}$; $f_{SC} = 32.875\text{ MHz}$; $PC / SC = 13\text{ dB}$; $f_{AF} = 400\text{ Hz}$); input level $V_{i(IF)} = 10\text{ mV (RMS)}$ (sync level for B/G; peak white level for L); IF input from $50\text{ }\Omega$ via broadband transformer 1 : 1; video modulation: Vestigial SideBand (VSB); residual carrier for B/G is 10 % and for L is 3 %; video signal in accordance with "ITU-T J.63 line 17 and line 330" or "NTC-7 Composite"; internal Nyquist slope switched on ($W7[0] = 0$); measurements taken in test circuit of [Figure 51](#); unless otherwise specified.

Symbol	Parameter	Conditions	Min	Typ	Max	Unit
$\Delta\phi$	phase difference	0 % residual carrier; 50 % serration pulses; L standard; L-gating = 0 %	[3] -	-	3	%
$\alpha_{H(\text{video})}$	video harmonics suppression	AC load: $C_L < 20\text{ pF}$, $R_L > 1\text{ k}\Omega$	[10] 35	40	-	dB
α_{sp}	spurious suppression		[11] 40	-	-	dB
$PSRR_{CVBS}$	power supply ripple rejection on pin CVBS	$f_{ripple} = 70\text{ Hz}$; video signal; grey level; positive and negative modulation; see Figure 11	14	20	-	dB
M/N standard inclusive Korea; see Figure 21[12]						
$\alpha_{ripple(\text{resp})f}$	frequency response ripple	0.5 MHz to 2.5 MHz	-1.5	-	+1	dB
		2.5 MHz to 3.6 MHz	-2	-	+1	dB
		3.6 MHz to 3.8 MHz	-3	-	+1	dB
		3.8 MHz to 4.2 MHz	-16	-	+1	dB
α_{SC1}	first sound carrier attenuation	$f = f_{SC1} = 4.5\text{ MHz}$	38	-	-	dB
		$f = f_{SC1} \pm 60\text{ kHz}$	29	-	-	dB
α_{SC2}	second sound carrier attenuation	$f = f_{SC2} = 4.724\text{ MHz}$	25	-	-	dB
		$f = f_{SC2} \pm 60\text{ kHz}$	16	-	-	dB
$t_{d(\text{grp})CC}$	color carrier group delay time	$f = 3.58\text{ MHz}$; including transmitter pre-correction; see Figure 22	[13] -75	-50	+75	ns
B/G standard; see Figure 23[12]						
$\alpha_{ripple(\text{resp})f}$	frequency response ripple	0.5 MHz to 3.2 MHz	-1.5	-	+1	dB
		3.2 MHz to 4.5 MHz	-3	-	+1	dB
		4.5 MHz to 4.8 MHz	-5	-	+1	dB
		4.8 MHz to 5 MHz	-12	-	+1	dB
α_{SC1}	first sound carrier attenuation	$f = f_{SC1} = 5.5\text{ MHz}$	35	-	-	dB
		$f = f_{SC1} \pm 60\text{ kHz}$	26	-	-	dB
α_{SC2}	second sound carrier attenuation	$f = f_{SC2} = 5.742\text{ MHz}$	25	-	-	dB
		$f = f_{SC2} \pm 60\text{ kHz}$	16	-	-	dB
$\alpha_{SC(\text{NICAM})}$	NICAM sound carrier attenuation	$f_{car(\text{NICAM})} = 5.85\text{ MHz}$; $f = f_{car(\text{NICAM})} \pm 250\text{ kHz}$	12	-	-	dB
α	attenuation	$f = f_{(N+1)ch} = 7\text{ MHz}$	21	-	-	dB
		$f = f_{(N+1)ch} \pm 750\text{ kHz}$	5	-	-	dB
$t_{d(\text{grp})CC}$	color carrier group delay time	$f = 4.43\text{ MHz}$; including transmitter pre-correction; see Figure 24	[13] -75	-10	+75	ns

Table 53. Characteristics ...continued

$V_P = 5\text{ V}$; $T_{amb} = 25\text{ }^\circ\text{C}$; see [Table 24](#) for input frequencies; B/G standard is used for the specification ($f_{PC} = 38.375\text{ MHz}$; $f_{SC} = 32.875\text{ MHz}$; $PC / SC = 13\text{ dB}$; $f_{AF} = 400\text{ Hz}$); input level $V_{i(IF)} = 10\text{ mV (RMS)}$ (sync level for B/G; peak white level for L); IF input from $50\text{ }\Omega$ via broadband transformer 1 : 1; video modulation: Vestigial SideBand (VSB); residual carrier for B/G is 10 % and for L is 3 %; video signal in accordance with "ITU-T J.63 line 17 and line 330" or "NTC-7 Composite"; internal Nyquist slope switched on ($W7[0] = 0$); measurements taken in test circuit of [Figure 51](#); unless otherwise specified.

Symbol	Parameter	Conditions	Min	Typ	Max	Unit
I standard; see Figure 25^[12]						
$\alpha_{\text{ripple(resp)f}}$	frequency response ripple	0.5 MHz to 3.2 MHz	-1.5	-	+1	dB
		3.2 MHz to 4.5 MHz	-2	-	+1	dB
		4.5 MHz to 5 MHz	-4	-	+1	dB
		5 MHz to 5.5 MHz	-12	-	+1	dB
α_{SC1}	first sound carrier attenuation	$f = f_{\text{SC1}} = 6.0\text{ MHz}$	35	-	-	dB
		$f = f_{\text{SC1}} \pm 60\text{ kHz}$	26	-	-	dB
$\alpha_{\text{SC(NICAM)}}$	NICAM sound carrier attenuation	$f_{\text{car(NICAM)}} = 6.55\text{ MHz}$; $f = f_{\text{car(NICAM)}} \pm 250\text{ kHz}$	12	-	-	dB
$t_{\text{d(grp)CC}}$	color carrier group delay time	$f = 4.43\text{ MHz}$; see Figure 26	^[13] -75	-15	+75	ns
D/K standard; see Figure 27^[12]						
$\alpha_{\text{ripple(resp)f}}$	frequency response ripple	0.5 MHz to 3.1 MHz	-1.5	-	+1	dB
		3.1 MHz to 4.5 MHz	-2	-	+1	dB
		4.5 MHz to 4.8 MHz	-4	-	+1	dB
		4.8 MHz to 5.1 MHz	-6	-	+1	dB
α_{SC1}	first sound carrier attenuation	$f = f_{\text{SC1}} = 6.5\text{ MHz}$	35	-	-	dB
		$f = f_{\text{SC1}} \pm 60\text{ kHz}$	26	-	-	dB
$\alpha_{\text{SC2(us)}}$	second sound carrier attenuation (upper side)	$f = f_{\text{SC2}} = 6.742\text{ MHz}$	25	-	-	dB
		$f = f_{\text{SC2}} \pm 60\text{ kHz}$	16	-	-	dB
$\alpha_{\text{SC2(ls)}}$	second sound carrier attenuation (lower side)	$f = f_{\text{SC2}} = 6.258\text{ MHz}$	25	-	-	dB
		$f = f_{\text{SC2}} \pm 60\text{ kHz}$	16	-	-	dB
$\alpha_{\text{SC(NICAM)}}$	NICAM sound carrier attenuation	$f_{\text{car(NICAM)}} = 5.85\text{ MHz}$; $f = f_{\text{car(NICAM)}} \pm 250\text{ kHz}$	6	-	-	dB
$t_{\text{d(grp)CC}}$	color carrier group delay time	$f = 4.28\text{ MHz}$; including transmitter pre-correction; see Figure 28	^[13] -50	0	+100	ns
L standard; see Figure 29^[12]						
$\alpha_{\text{ripple(resp)f}}$	frequency response ripple	0.5 MHz to 3.2 MHz	-1.5	-	+1	dB
		3.2 MHz to 4.5 MHz	-2	-	+1	dB
		4.5 MHz to 4.8 MHz	-4	-	+1	dB
		4.8 MHz to 5.3 MHz	-12	-	+1	dB
$\alpha_{\text{SC(NICAM)}}$	NICAM sound carrier attenuation	$f_{\text{car(NICAM)}} = 5.85\text{ MHz}$; $f = f_{\text{car(NICAM)}} \pm 250\text{ kHz}$	5	-	-	dB
$\alpha_{\text{SC(AM)}}$	AM sound carrier attenuation	$f = f_{\text{SC(AM)}} = 6.5\text{ MHz}$	38	-	-	dB
		$f = f_{\text{SC(AM)}} \pm 30\text{ kHz}$	29	-	-	dB
$t_{\text{d(grp)CC}}$	color carrier group delay time	$f = 4.28\text{ MHz}$; including transmitter pre-correction; see Figure 30	-75	-5	+75	ns

Table 53. Characteristics ...continued

$V_P = 5\text{ V}$; $T_{amb} = 25\text{ }^\circ\text{C}$; see [Table 24](#) for input frequencies; B/G standard is used for the specification ($f_{PC} = 38.375\text{ MHz}$; $f_{SC} = 32.875\text{ MHz}$; $PC / SC = 13\text{ dB}$; $f_{AF} = 400\text{ Hz}$); input level $V_{i(IF)} = 10\text{ mV (RMS)}$ (sync level for B/G; peak white level for L); IF input from $50\text{ }\Omega$ via broadband transformer 1 : 1; video modulation: Vestigial SideBand (VSB); residual carrier for B/G is 10 % and for L is 3 %; video signal in accordance with "ITU-T J.63 line 17 and line 330" or "NTC-7 Composite"; internal Nyquist slope switched on ($W7[0] = 0$); measurements taken in test circuit of [Figure 51](#); unless otherwise specified.

Symbol	Parameter	Conditions	Min	Typ	Max	Unit
Video output 1.7 V; pin CVBS; see Figure 50, optional CVBS buffer at setting $W6[1] = 1$						
Normal mode (sound carrier trap active) and sound carrier on						
$V_{o(video)(p-p)}$	peak-to-peak video output voltage	positive or negative modulation; $W6[1] = 1$; see Figure 10				
		$W4[7] = 0$; $W7[4] = 0$	1.44	1.7	1.96	V
		$W4[7] = 1$; $W7[4] = 0$	1.44	1.7	1.96	V
V_{syncI}	sync level voltage	$W4[7] = 0$; $W7[4] = 0$	1.0	1.2	1.4	V
		$W4[7] = 1$; $W7[4] = 0$	0.9	1.2	1.5	V
		$W4[7] = 0$; $W7[4] = 1$	0.9	1.2	1.5	V
Video output 1.1 V; pin CVBS						
Trap bypass mode and sound carrier off ^[12]						
$V_{o(video)(p-p)}$	peak-to-peak video output voltage	see Figure 10	-	1.1	-	V
V_{syncI}	sync level voltage		-	1.5	-	V
$V_{clip(video)u}$	upper video clipping voltage		$V_P - 1.2$	$V_P - 1$	-	V
$V_{clip(video)l}$	lower video clipping voltage		-	0.4	0.9	V
$B_{video(-3dB)}$	-3 dB video bandwidth	AC load: $C_L < 20\text{ pF}$, $R_L > 1\text{ k}\Omega$	6	8	-	MHz
$(S/N)_w$	weighted signal-to-noise ratio	B/G standard; 50 % grey video signal; unified weighting filter ("ITU-T J.61"); see Figure 20	^[9] 54	-	-	dB
$(S/N)_{unw}$	unweighted signal-to-noise ratio	M/N standard; 50 IRE grey video signal; see Figure 20	^[9] 47	51	-	dB
VIF AGC						
Pin MPP						
$V_{monitor(VIFAGC)}$	VIF AGC monitor voltage		^[3] 0.5	-	4.5	V
V_{AGC}	AGC voltage	see Figure 12 ; $V_{i(IF)}$ set to				
		1 mV (60 dB μ V)	2.0	-	2.5	V
		10 mV (80 dB μ V)	2.4	-	3.0	V
		200 mV (106 dB μ V)	3.0	-	V_P	V

Table 53. Characteristics ...continued

$V_P = 5\text{ V}$; $T_{amb} = 25\text{ }^\circ\text{C}$; see [Table 24](#) for input frequencies; B/G standard is used for the specification ($f_{PC} = 38.375\text{ MHz}$; $f_{SC} = 32.875\text{ MHz}$; $PC / SC = 13\text{ dB}$; $f_{AF} = 400\text{ Hz}$); input level $V_{i(IF)} = 10\text{ mV (RMS)}$ (sync level for B/G; peak white level for L); IF input from $50\text{ }\Omega$ via broadband transformer 1 : 1; video modulation: Vestigial SideBand (VSB); residual carrier for B/G is 10 % and for L is 3 %; video signal in accordance with "ITU-T J.63 line 17 and line 330" or "NTC-7 Composite"; internal Nyquist slope switched on ($W7[0] = 0$); measurements taken in test circuit of [Figure 51](#); unless otherwise specified.

Symbol	Parameter	Conditions	Min	Typ	Max	Unit	
t_{resp}	response time	increasing VIF step; negative modulation	[14]				
		normal mode	-	100	-	$\mu\text{s/dB}$	
		2nd mode	-	9	-	$\mu\text{s/dB}$	
		fast 2nd mode	-	3	-	$\mu\text{s/dB}$	
		increasing VIF step; positive modulation	[14]				
		normal mode	-	100	-	$\mu\text{s/dB}$	
		fast mode	-	5	-	$\mu\text{s/dB}$	
		decreasing VIF step; negative modulation	[14]				
		normal mode	-	70	-	$\mu\text{s/dB}$	
		2nd mode	-	250	-	$\mu\text{s/dB}$	
		2nd mode (speed-up)	[15]	-	20	-	$\mu\text{s/dB}$
		fast 2nd mode	-	80	-	$\mu\text{s/dB}$	
		fast 2nd mode (speed-up)	[15]	-	6	-	$\mu\text{s/dB}$
		decreasing VIF step; positive modulation	[14]				
		20 dB	-	900	-	ms	
		normal mode	-	180	-	ms/dB	
fast mode; $W8[3] = 1$	-	3	-	ms/dB			
fast mode (speed-up)	[16]	-	24	-	ms/dB		
$\alpha_{th(\text{fast})VIF}$	VIF fast mode threshold	L standard	-10	-6	-2	dB	
$\Delta V_{VAGC(\text{step})}$	VIF AGC voltage difference (step)	see Table 11	-	40	-	mV/bit	
Pin CIFAGC							
$I_{ch(\text{max})}$	maximum charge current	L standard; normal mode; $W8[3] = 0$	75	100	125	μA	
		L standard; fast mode; $W8[3] = 1$	-	2.0	-	mA	
$I_{ch(\text{add})}$	additional charge current	L standard: in the event of missing VITS pulses and no white video content	-	100	-	nA	
I_{dch}	discharge current	L standard; normal mode; $W8[3] = 0$	-	35	-	nA	
		L standard; fast mode; $W8[3] = 1$ or speed-up	-	1.4	-	μA	

Table 53. Characteristics ...continued

$V_P = 5\text{ V}$; $T_{amb} = 25\text{ °C}$; see [Table 24](#) for input frequencies; B/G standard is used for the specification ($f_{PC} = 38.375\text{ MHz}$; $f_{SC} = 32.875\text{ MHz}$; $PC / SC = 13\text{ dB}$; $f_{AF} = 400\text{ Hz}$); input level $V_{i(IF)} = 10\text{ mV (RMS)}$ (sync level for B/G; peak white level for L); IF input from $50\text{ }\Omega$ via broadband transformer 1 : 1; video modulation: Vestigial SideBand (VSB); residual carrier for B/G is 10 % and for L is 3 %; video signal in accordance with "ITU-T J.63 line 17 and line 330" or "NTC-7 Composite"; internal Nyquist slope switched on ($W7[0] = 0$); measurements taken in test circuit of [Figure 51](#); unless otherwise specified.

Symbol	Parameter	Conditions	Min	Typ	Max	Unit
Tuner AGC; pin TAGC						
TAGC integral loop mode ($W6[7:6] = 10$); TAGC is current output; applicable for negative modulation only; unmodulated VIF; see Table 44 and Figure 13						
$V_{i(IF)(RMS)}$	RMS IF input voltage	for TOP1; at starting point of tuner AGC takeover; $I_{sink(TAGC)} = 100\text{ }\mu\text{A}$				
		$W9[4:0] = 0\ 0000$	-	59.6	-	dB μV
		$W9[4:0] = 1\ 0000$	-	78.3	-	dB μV
		$W9[4:0] = 1\ 1111$	-	98.5	-	dB μV
$\alpha_{acc(set)TOP1}$	TOP1 setting accuracy		-2	-	+2	dB
I_{source}	source current	TAGC charge current				
		$W9[5] = 0$	0.20	0.33	0.45	μA
		$W9[5] = 1$	1.6	2.5	3.4	μA
		fast mode activated by internal level detector; $W9[5] = 0$	7	11	15	μA
		fast mode activated by internal level detector; $W9[5] = 1$	60	90	120	μA
I_{sink}	sink current	TAGC discharge current; $V_{TAGC} = 1\text{ V}$	375	500	625	μA
$\Delta\alpha_{acc(set)TOP1}/\Delta T$	TOP1 setting accuracy variation with temperature	$W9[4:0] = 1\ 0000$	-	0.006	0.02	dB/K
R_L	load resistance		[3] 50	-	-	M Ω
$V_{sat(u)}$	upper saturation voltage	pin operating as current output	$V_P - 0.3$	-	-	V
$V_{sat(l)}$	lower saturation voltage	pin operating as current output	-	-	0.3	V
$\alpha_{th(fast)AGC}$	AGC fast mode threshold	activated by internal fast AGC detector; I ² C-bus setting corresponds to $W9[4:0] = 1\ 0000$	[3] 6	8	10	dB
t_d	delay time	before activating; $V_{i(IF)}$ below $\alpha_{th(fast)AGC}$	40	60	80	ms

Table 53. Characteristics ...continued

$V_P = 5\text{ V}$; $T_{amb} = 25\text{ }^\circ\text{C}$; see [Table 24](#) for input frequencies; B/G standard is used for the specification ($f_{PC} = 38.375\text{ MHz}$; $f_{SC} = 32.875\text{ MHz}$; $PC / SC = 13\text{ dB}$; $f_{AF} = 400\text{ Hz}$); input level $V_{i(IF)} = 10\text{ mV (RMS)}$ (sync level for B/G; peak white level for L); IF input from $50\text{ }\Omega$ via broadband transformer 1 : 1; video modulation: Vestigial SideBand (VSB); residual carrier for B/G is 10 % and for L is 3 %; video signal in accordance with "ITU-T J.63 line 17 and line 330" or "NTC-7 Composite"; internal Nyquist slope switched on ($W7[0] = 0$); measurements taken in test circuit of [Figure 51](#); unless otherwise specified.

Symbol	Parameter	Conditions	Min	Typ	Max	Unit
TAGC loop based on VIF AGC ($W6[7:6] = 11$); TAGC is voltage output; applicable for TV mode: positive modulation and optional for negative modulation); see Table 47 , Figure 13 and Figure 14						
$V_{i(IF)(RMS)}$	RMS IF input voltage	for TOP2; at starting point of tuner AGC takeover; $V_{TAGC} = 3.5\text{ V}$				
		$R_{TOP2} = 22\text{ k}\Omega$ or $W10[5:0] = 00\ 0000$	-	56.9	-	dB μ V
		$R_{TOP2} = 10\text{ k}\Omega$ or $W10[5:0] = 01\ 0000$	-	78.5	-	dB μ V
		$R_{TOP2} = 0\text{ k}\Omega$ $W10[5:0] = 01\ 1111$	-	98	-	dB μ V
$\alpha_{acc(set)TOP2}$	TOP2 setting accuracy		-8	-	+8	dB
$\Delta\alpha_{acc(set)TOP2}/\Delta T$	TOP2 setting accuracy variation with temperature	$V_{TAGC} = 3.5\text{ V}$	-	0.03	0.07	dB/K
V_O	output voltage	no tuner gain reduction	4.5	-	V_P	V
		maximum tuner gain reduction	0.2	-	0.6	V
$\Delta G_{slip(TAGC)}$	TAGC slip gain offset	tuner gain voltage from 0.6 V to 3.5 V	3	5	8	dB

TOP adjust 2; pin TOP2; IF based TAGC loop mode; see [Figure 14](#)

V_{TOP2}	voltage on pin TOP2 (DC)	pin open-circuit	-	3.5	-	V
R_I	input resistance		-	27	-	k Ω
R_{TOP2}	resistance on pin TOP2	adjustment of VIF AGC based TAGC loop				
		$W10[5] = 1$; external resistor operation	0	-	22	k Ω
		$W10[5] = 0$; forced I ² C-bus operation	100	-	-	k Ω

Pin CTAGC

V_{CTAGC}	voltage on pin CTAGC		[3] 0.2	-	$0.55V_P$	V
I_L	leakage current	sink or source	[3] -	-	10	nA
R_O	output resistance	equivalent time constant resistance	[3] -	10	-	M Ω

Pin MPP output characteristic

General

$V_{sat(u)}$	upper saturation voltage		$V_P - 0.8$	$V_P - 0.5$	-	V
$V_{sat(l)}$	lower saturation voltage		-	0.5	0.8	V
$I_{o(max)}$	maximum output current	sink or source	[3] 350	-	-	μ A
R_O	output resistance		[3] -	1.3	3	k Ω

Table 53. Characteristics ...continued

$V_P = 5\text{ V}$; $T_{amb} = 25\text{ }^\circ\text{C}$; see [Table 24](#) for input frequencies; B/G standard is used for the specification ($f_{PC} = 38.375\text{ MHz}$; $f_{SC} = 32.875\text{ MHz}$; $PC / SC = 13\text{ dB}$; $f_{AF} = 400\text{ Hz}$); input level $V_{i(IF)} = 10\text{ mV (RMS)}$ (sync level for B/G; peak white level for L); IF input from $50\ \Omega$ via broadband transformer 1 : 1; video modulation: Vestigial SideBand (VSB); residual carrier for B/G is 10 % and for L is 3 %; video signal in accordance with "ITU-T J.63 line 17 and line 330" or "NTC-7 Composite"; internal Nyquist slope switched on ($W7[0] = 0$); measurements taken in test circuit of [Figure 51](#); unless otherwise specified.

Symbol	Parameter	Conditions	Min	Typ	Max	Unit
AGC monitor (voltage output)						
G_v	voltage gain	voltage on pin MPP to internal control voltage; see Table 31	[17]			
		VIF AGC; see Figure 12	-	6	-	dB
		SIF AGC; see Figure 16	-	6	-	dB
		FM AGC; see Figure 15	-	6	-	dB
		TAGC; see Figure 12	-	0	-	dB
AFC monitor (current output)						
I_o	output current	sink or source; see Figure 17 and Figure 18	[18][19]			
		100 kHz VIF deviation	80	-	160	μA
		200 kHz VIF deviation	160	200	240	μA
		1.5 MHz VIF deviation	160	-	240	μA
AFC TV mode						
$\Delta I_{AFC} / \Delta f_{VIF}$	change of AFC current with VIF frequency		[19]	0.85	1.05	1.25 $\mu\text{A/kHz}$
$f_{VIFacc(dig)}$	digital accuracy of VIF frequency	read-out via I ² C-bus; R1[4:1] = f_0 ; $f_{ref} = 4\text{ MHz}$	[20]	-20	-	+20 kHz
$f_{VIFacc(a)}$	analog accuracy of VIF frequency	$I_{AFC} = 0\text{ A}$; $f_{ref} = 4\text{ MHz}$	[20]	-20	-	+20 kHz
AFC radio mode						
$\Delta I_{AFC} / \Delta f_{RIF}$	change of AFC current with RIF frequency		[19]	0.85	1.05	1.25 $\mu\text{A/kHz}$
$f_{RIFacc(dig)}$	digital accuracy of RIF frequency	read-out via I ² C-bus; R1[4:1] = f_0 ; $f_{ref} = 4\text{ MHz}$	[20]	-10	-	+10 kHz
$f_{RIFacc(a)}$	analog accuracy of RIF frequency	$I_{AFC} = 0\text{ A}$; $f_{ref} = 4\text{ MHz}$	[20]	-10	-	+10 kHz
Pin PORT1 or pin PORT3 operating as voltage monitor						
$V_{sat(u)}$	upper saturation voltage			$V_P - 0.8$	$V_P - 0.5$	- V
$V_{sat(l)}$	lower saturation voltage			-	0.5	0.8 V
$I_{o(max)}$	maximum output current	sink or source	[3]	10	-	- μA
R_O	output resistance		[3]	-	1.3	3 $\text{k}\Omega$
G_v	voltage gain	voltage ratio: pin PORT1 to internal VIF AGC voltage	[3][17]	-	6	- dB
		voltage ratio: pin PORT3 to internal TAGC voltage	[3][17]	-	0	- dB
SIF amplifier; pins IF1A and IF1B or pins IF2A and IF2B or pins IF3A and IF3B						
V_i	input voltage			-	1.95	- V

Table 53. Characteristics ...continued

$V_P = 5\text{ V}$; $T_{amb} = 25\text{ }^\circ\text{C}$; see [Table 24](#) for input frequencies; B/G standard is used for the specification ($f_{PC} = 38.375\text{ MHz}$; $f_{SC} = 32.875\text{ MHz}$; $PC / SC = 13\text{ dB}$; $f_{AF} = 400\text{ Hz}$); input level $V_{i(IF)} = 10\text{ mV (RMS)}$ (sync level for B/G; peak white level for L); IF input from $50\text{ }\Omega$ via broadband transformer 1 : 1; video modulation: Vestigial SideBand (VSB); residual carrier for B/G is 10 % and for L is 3 %; video signal in accordance with "ITU-T J.63 line 17 and line 330" or "NTC-7 Composite"; internal Nyquist slope switched on ($W7[0] = 0$); measurements taken in test circuit of [Figure 51](#); unless otherwise specified.

Symbol	Parameter	Conditions	Min	Typ	Max	Unit
$R_{i(dif)}$	differential input resistance		-	2	-	k Ω
$C_{i(dif)}$	differential input capacitance		-	3	-	pF
$V_{i(SIF)(RMS)}$	RMS SIF input voltage	FM mode; -3 dB at intercarrier output pins OUT1A and OUT1B; without FM AGC; see Table 21	-	60	100	μV
		AM mode; -3 dB at AF output pin AUD	-	40	70	μV
		FM mode; +1 dB at intercarrier output pins OUT1A and OUT1B; without FM AGC; see Table 21	150	190	-	mV
		AM mode; +1 dB at AF output pin AUD	70	140	-	mV
		permissible overload	-	-	320	mV
$G_{SIF(cr)}$	control range SIF gain	FM and AM mode	60	66	-	dB
$f_{-3dB(SIF)l}$	lower SIF cut-off frequency		-	7	-	MHz
$f_{-3dB(SIF)u}$	upper SIF cut-off frequency		-	80	-	MHz

SIF AGC detector; pin MPP; see [Figure 16](#)

t_{resp}	response time	increasing or decreasing SIF step of 20 dB; AM mode; fast AGC				
		increasing	-	8	-	ms
		decreasing	-	10	-	ms
		increasing or decreasing SIF step of 20 dB; AM mode; slow AGC				
		increasing	-	65	-	ms
		decreasing	-	125	-	ms
		increasing or decreasing SIF step of 20 dB; FM mode; normal AGC				
		increasing	-	0.09	-	ms
		decreasing	-	28	-	ms
		increasing or decreasing SIF step of 20 dB; FM mode; fast AGC				
		increasing	-	0.03	-	ms
		decreasing	-	4	-	ms

Table 53. Characteristics ...continued

$V_P = 5\text{ V}$; $T_{amb} = 25\text{ }^\circ\text{C}$; see [Table 24](#) for input frequencies; B/G standard is used for the specification ($f_{PC} = 38.375\text{ MHz}$; $f_{SC} = 32.875\text{ MHz}$; $PC / SC = 13\text{ dB}$; $f_{AF} = 400\text{ Hz}$); input level $V_{i(IF)} = 10\text{ mV (RMS)}$ (sync level for B/G; peak white level for L); IF input from $50\text{ }\Omega$ via broadband transformer 1 : 1; video modulation: Vestigial SideBand (VSB); residual carrier for B/G is 10 % and for L is 3 %; video signal in accordance with "ITU-T J.63 line 17 and line 330" or "NTC-7 Composite"; internal Nyquist slope switched on ($W7[0] = 0$); measurements taken in test circuit of [Figure 51](#); unless otherwise specified.

Symbol	Parameter	Conditions	Min	Typ	Max	Unit	
$V_{AGC(SIF)}$	SIF AGC voltage	FM mode					
		$V_{SIF} = 100\text{ }\mu\text{V}$	1.2	-	2.1	V	
		$V_{SIF} = 10\text{ mV}$	2.4	-	3.2	V	
		$V_{SIF} = 140\text{ mV}$	3.1	-	V_P	V	
		AM mode					
		$V_{SIF} = 100\text{ }\mu\text{V}$	1.4	-	2.3	V	
		$V_{SIF} = 10\text{ mV}$	2.6	-	3.4	V	
		$V_{SIF} = 70\text{ mV}$	3.2	-	V_P	V	
Conversion synthesizer PLL; pin LFSYN2 (radio mode)							
V_{LFSYN2}	voltage on pin LFSYN2		1	-	3	V	
K_O	VCO steepness	$\Delta f_{VCO} / \Delta V_{LFSYN2}$	-	31	-	MHz/V	
K_D	phase detector steepness	$\Delta I_{LFSYN2} / \Delta \phi_{VCO}$; see Table 57 ; f_{VCO} selection:					
		22 MHz to 29.5 MHz	-	32	-	$\mu\text{A/rad}$	
		30 MHz to 37.5 MHz	-	38	-	$\mu\text{A/rad}$	
		38 MHz to 45.5 MHz	-	47	-	$\mu\text{A/rad}$	
		46 MHz to 53.5 MHz	-	61	-	$\mu\text{A/rad}$	
		57 MHz	-	61	-	$\mu\text{A/rad}$	
$I_{o(PD)}$	phase detector output current	sink or source; f_{VCO} selection:					
		22 MHz to 29.5 MHz	-	200	-	μA	
		30 MHz to 37.5 MHz	-	238	-	μA	
		38 MHz to 45.5 MHz	-	294	-	μA	
		46 MHz to 53.5 MHz	-	384	-	μA	
		57 MHz	-	384	-	μA	
$\Phi_{n(\text{synth})}$	synthesizer phase noise	with 4 MHz crystal oscillator reference; $f_{\text{synth}} = 31\text{ MHz}$; $f_{IF} = 36\text{ MHz}$					
		at 1 kHz	[3]	89	99	-	dBc/Hz
		at 10 kHz	[3]	89	99	-	dBc/Hz
		at 100 kHz	[3]	98	102	-	dBc/Hz
		at 1.4 MHz	[3]	115	119	-	dBc/Hz
α_{sp}	spurious suppression	multiple of $\Delta f = 500\text{ kHz}$	[3]	50	-	-	dBc
I_L	leakage current	synthesizer spurious performance > 50 dBc	[3]	-	-	10	nA

Table 53. Characteristics ...continued

$V_P = 5\text{ V}$; $T_{amb} = 25\text{ °C}$; see [Table 24](#) for input frequencies; B/G standard is used for the specification ($f_{PC} = 38.375\text{ MHz}$; $f_{SC} = 32.875\text{ MHz}$; $PC / SC = 13\text{ dB}$; $f_{AF} = 400\text{ Hz}$); input level $V_{i(IF)} = 10\text{ mV (RMS)}$ (sync level for B/G; peak white level for L); IF input from $50\text{ }\Omega$ via broadband transformer 1 : 1; video modulation: Vestigial SideBand (VSB); residual carrier for B/G is 10 % and for L is 3 %; video signal in accordance with "ITU-T J.63 line 17 and line 330" or "NTC-7 Composite"; internal Nyquist slope switched on ($W7[0] = 0$); measurements taken in test circuit of [Figure 51](#); unless otherwise specified.

Symbol	Parameter	Conditions	Min	Typ	Max	Unit
PSRR	power supply ripple rejection	residual spurious at nominal differential output voltage dependent on power supply ripple at 70 Hz; see Figure 11	-	50	-	dB

Single reference QSS intercarrier mixer; pins OUT1A and OUT1B

V_{OUT1A}	voltage on pin OUT1A (DC)		1.8	2.0	2.2	V
V_{OUT1B}	voltage on pin OUT1B (DC)		1.8	2.0	2.2	V
$I_{bias(int)}$	internal bias current (DC)	for emitter-follower	2.0	2.5	-	mA
$I_{sink(o)(max)}$	maximum output sink current	DC and AC	1.4	1.7	-	mA
$I_{source(o)(max)}$	maximum output source current	DC and AC; with external resistor to GND	3.0	-	-	mA
R_O	output resistance	output active; single-ended to GND	-	-	25	Ω
		output inactive; internal resistance to GND	-	800	-	Ω
$V_{O(RMS)}$	RMS output voltage	IF intercarrier single-ended to GND; B/G standard; SC1 on; SC2 off; see Figure 9 and Table 21				
		internal BP via FM AGC	90	140	180	mV
		internal BP	90	170	230	mV
		IF intercarrier single-ended to GND; L standard; without modulation; see Figure 9 and Table 21				
		W7[5] = 0; internal BP + 6 dB	90	140	180	mV
		W7[5] = 1; internal BP + 6 dB	45	70	90	mV
		W7[5] = 0; internal BP	45	70	90	mV
W7[5] = 1; internal BP	20	35	45	mV		
$f_{-3dB(ic)u}$	upper intercarrier cut-off frequency	internal sound band-pass off	11	15	-	MHz
α_{image}	image rejection	band-pass off; -8 MHz to 0 MHz	24	28	-	dB
$V_{interf(RMS)}$	RMS interference voltage	fundamental wave and harmonics	-	2	5	mV

Table 53. Characteristics ...continued

$V_P = 5\text{ V}$; $T_{amb} = 25\text{ }^\circ\text{C}$; see [Table 24](#) for input frequencies; B/G standard is used for the specification ($f_{PC} = 38.375\text{ MHz}$; $f_{SC} = 32.875\text{ MHz}$; $PC / SC = 13\text{ dB}$; $f_{AF} = 400\text{ Hz}$); input level $V_{i(IF)} = 10\text{ mV (RMS)}$ (sync level for B/G; peak white level for L); IF input from $50\text{ }\Omega$ via broadband transformer 1 : 1; video modulation: Vestigial SideBand (VSB); residual carrier for B/G is 10 % and for L is 3 %; video signal in accordance with "ITU-T J.63 line 17 and line 330" or "NTC-7 Composite"; internal Nyquist slope switched on ($W7[0] = 0$); measurements taken in test circuit of [Figure 51](#); unless otherwise specified.

Symbol	Parameter	Conditions	Min	Typ	Max	Unit
AM intercarrier from pin EXTFIL1 to pins OUT1A and OUT1B						
G	gain	IF intercarrier; L standard; without modulation	-	5	-	dB
Band-pass mode						
f_c	center frequency	QSS mode; BP selection for standard				
		M/N	-	4.7	-	MHz
		B/G	-	5.75	-	MHz
		I	-	6.25	-	MHz
		D/K	-	6.25	-	MHz
		L/L-accent	-	6.05	-	MHz
		radio mode; BP selection for standard				
		M/N	-	4.7	-	MHz
		B/G	-	5.75	-	MHz
		I	-	6.25	-	MHz
		D/K	-	6.25	-	MHz
$f_{-3dB(BP)u}$	upper BP cut-off frequency		$f_c + 0.5$	$f_c + 0.65$	$f_c + 0.8$	MHz
$f_{-3dB(BP)l}$	lower BP cut-off frequency		$f_c - 0.5$	$f_c - 0.65$	$f_c - 0.8$	MHz
α_{stpb}	stop-band attenuation		20	30	-	dB
α_{CC}	color carrier attenuation	QSS mode; BP selection for standard				
		M/N; $f_{CC} = 3.58\text{ MHz}$	15	23	-	dB
		B/G; $f_{CC} = 4.43\text{ MHz}$	22	30	-	dB
		I; $f_{CC} = 4.43\text{ MHz}$	20	28	-	dB
		D/K; $f_{CC} = 4.28\text{ MHz}$	20	28	-	dB
		L/L-accent; $f_{CC} = 4.28\text{ MHz}$	20	28	-	dB
External filter output; pin EXTFILO						
$V_{EXTFILO}$	voltage on pin EXTFILO (DC)		1.8	2.0	2.2	V
$V_{EXTFILO(p-p)}$	peak-to-peak voltage on pin EXTFILO	IF intercarrier; SC1 on; SC2 off	420	620	820	mV
		IF intercarrier; L standard; without modulation				
		W7[5] = 0	210	310	410	mV
		W7[5] = 1	105	155	205	mV
$I_{o(max)}$	maximum output current	AC and DC	1	-	-	mA

Table 53. Characteristics ...continued

$V_P = 5\text{ V}$; $T_{amb} = 25\text{ }^\circ\text{C}$; see [Table 24](#) for input frequencies; B/G standard is used for the specification ($f_{PC} = 38.375\text{ MHz}$; $f_{SC} = 32.875\text{ MHz}$; $PC / SC = 13\text{ dB}$; $f_{AF} = 400\text{ Hz}$); input level $V_{i(IF)} = 10\text{ mV (RMS)}$ (sync level for B/G; peak white level for L); IF input from $50\text{ }\Omega$ via broadband transformer 1 : 1; video modulation: Vestigial SideBand (VSB); residual carrier for B/G is 10 % and for L is 3 %; video signal in accordance with "ITU-T J.63 line 17 and line 330" or "NTC-7 Composite"; internal Nyquist slope switched on ($W7[0] = 0$); measurements taken in test circuit of [Figure 51](#); unless otherwise specified.

Symbol	Parameter	Conditions	Min	Typ	Max	Unit
FM PLL demodulator						
f_{FMPLL}	FM PLL frequency	see Table 18 and Table 20	-	4.5	-	MHz
			-	5.5	-	MHz
			-	6.0	-	MHz
			-	6.5	-	MHz
			-	10.7	-	MHz
FM PLL filter; pin LFFM						
V_{LFFM}	voltage on pin LFFM	$f_{FMPLL} = 4.5\text{ MHz}$	1.5	1.9	3.3	V
		$f_{FMPLL} = 5.5\text{ MHz}$	1.5	2.2	3.3	V
		$f_{FMPLL} = 6.0\text{ MHz}$	1.5	2.35	3.3	V
		$f_{FMPLL} = 6.5\text{ MHz}$	1.5	2.5	3.3	V
		$f_{FMPLL} = 10.7\text{ MHz}$	1.5	2.3	3.3	V
$T_{cy(dah)}$	digital acquisition help cycle time		-	64	-	μs
$t_w(dah)$	digital acquisition help pulse width		-	16	-	μs
$I_{o(dah)}$	digital acquisition help output current	sink or source				
		$W3[4] = 0$; $W6[3] = 0$; FM window width = 237.5 kHz	14	18	22	μA
		$W3[4] = 1$; $W6[3] = 0$; FM window width = 475 kHz	28	36	44	μA
		$W3[4] = 0$; $W6[3] = 1$; FM window width = 1 MHz	14	18	22	μA
		$W3[4] = 1$; $W6[3] = 1$; FM window width = 1 MHz	28	36	44	μA
$K_{D(FM)}$	FM phase detector steepness	$\Delta I_{FMPLL} / \Delta \phi_{VCO(FM)}$				
		$W3[4] = 0$; $W6[3] = 0$; FM window width = 237.5 kHz	-	5.5	-	$\mu\text{A/rad}$
		$W3[4] = 1$; $W6[3] = 0$; FM window width = 475 kHz	-	14.5	-	$\mu\text{A/rad}$
		$W3[4] = 0$; $W6[3] = 1$; FM window width = 1 MHz	-	5.5	-	$\mu\text{A/rad}$
		$W3[4] = 1$; $W6[3] = 1$; FM window width = 1 MHz	-	14.5	-	$\mu\text{A/rad}$

Table 53. Characteristics ...continued

$V_P = 5\text{ V}$; $T_{amb} = 25\text{ }^\circ\text{C}$; see [Table 24](#) for input frequencies; B/G standard is used for the specification ($f_{PC} = 38.375\text{ MHz}$; $f_{SC} = 32.875\text{ MHz}$; $PC / SC = 13\text{ dB}$; $f_{AF} = 400\text{ Hz}$); input level $V_{i(IF)} = 10\text{ mV (RMS)}$ (sync level for B/G; peak white level for L); IF input from $50\text{ }\Omega$ via broadband transformer 1 : 1; video modulation: Vestigial SideBand (VSB); residual carrier for B/G is 10 % and for L is 3 %; video signal in accordance with "ITU-T J.63 line 17 and line 330" or "NTC-7 Composite"; internal Nyquist slope switched on ($W7[0] = 0$); measurements taken in test circuit of [Figure 51](#); unless otherwise specified.

Symbol	Parameter	Conditions	Min	Typ	Max	Unit
$K_{O(FM)}$	FM VCO steepness	$\Delta f_{FMPLL} / \Delta V_{LFFM}$				
		$f < 10\text{ MHz}$	-	3.3	-	MHz/V
		$f = 10.7\text{ MHz}$	-	5.9	-	MHz/V
$I_{offset(FM)}$	FM offset current	$W6[3] = 0$; $W3[4] = 0$	-1.5	0	+1.5	μA
		$W6[3] = 0$; $W3[4] = 1$	-2.5	0	+2.5	μA
FM intercarrier input; pins EXT FMI and EXT FILL; see Figure 9						
$ Z_i $	input impedance	AC-coupled via 4 pF	-	20	-	k Ω
$V_{i(FM)(RMS)}$	RMS FM input voltage	gain controlled operation; $W1[1:0] = 10$ or $W1[1:0] = 11$ or $W1[1:0] = 01$	2	-	300	mV
$V_{lock(min)(RMS)}$	RMS minimum lock-in voltage	$W1[1:0] = 10$ or $W1[1:0] = 11$ or $W1[1:0] = 01$	-	-	1.5	mV
$V_{det(FM)min(RMS)}$	RMS minimum FM carrier detection voltage	$W1[1:0] = 10$ or $W1[1:0] = 11$ or $W1[1:0] = 01$	-	-	1.8	mV
FM demodulator part; audio output; pin AUD						
$V_{o(AF)(RMS)}$	RMS AF output voltage	QSS mode; 25 kHz FM deviation; 75 μs de-emphasis	400	500	600	mV
		QSS mode; 27 kHz FM deviation; 50 μs de-emphasis	430	540	650	mV
		QSS mode; 55 kHz FM deviation; 50 μs de-emphasis	900	-	1300	mV
		radio mode; 22.5 kHz FM deviation; 75 μs de-emphasis	360	450	540	mV
$\Delta V_{o(AF)}/\Delta T$	AF output voltage variation with temperature		-	1.1×10^{-3}	7×10^{-3}	dB/K
THD	total harmonic distortion	50 μs de-emphasis; FM deviation: for TV mode 27 kHz and for radio mode 22.5 kHz	-	0.15	0.50	%

Table 53. Characteristics ...continued

$V_P = 5\text{ V}$; $T_{amb} = 25\text{ }^\circ\text{C}$; see [Table 24](#) for input frequencies; B/G standard is used for the specification ($f_{PC} = 38.375\text{ MHz}$; $f_{SC} = 32.875\text{ MHz}$; $PC / SC = 13\text{ dB}$; $f_{AF} = 400\text{ Hz}$); input level $V_{i(IF)} = 10\text{ mV (RMS)}$ (sync level for B/G; peak white level for L); IF input from $50\text{ }\Omega$ via broadband transformer 1 : 1; video modulation: Vestigial SideBand (VSB); residual carrier for B/G is 10 % and for L is 3 %; video signal in accordance with "ITU-T J.63 line 17 and line 330" or "NTC-7 Composite"; internal Nyquist slope switched on ($W7[0] = 0$); measurements taken in test circuit of [Figure 51](#); unless otherwise specified.

Symbol	Parameter	Conditions	Min	Typ	Max	Unit
$\Delta f_{AF(max)}$	maximum AF frequency deviation	THD < 2 %; pre-emphasis off; $f_{AF} = 400\text{ Hz}$	[2]			
		W3[1:0] = 00 (audio gain = 0 dB)	± 55	-	-	kHz
		W3[1:0] = 01 (audio gain = -6 dB)	± 110	-	-	kHz
		W3[1:0] = 10 (audio gain = -12 dB)	± 170	-	-	kHz
		W3[1:0] = 11 (audio gain = -18 dB) and W3[4] = 1 (FM window width = 475 kHz)	± 380	-	-	kHz
$f_{AF(max)}$	maximum AF frequency	THD < 2 %; pre-emphasis off	[3]			
		FM window width = 237.5 kHz; -6 dB audio gain; FM deviation 100 kHz	15	-	-	kHz
		FM window width = 475 kHz; -18 dB audio gain; FM deviation 300 kHz	15	-	-	kHz
$f_{-3dB(AF)}$	AF cut-off frequency	W3[2] = 0; W3[4] = 0; without de-emphasis; FM window width = 237.5 kHz	80	100	-	kHz
$(S/N)_{w(AF)}$	AF weighted signal-to-noise ratio	27 kHz FM deviation; 50 μs de-emphasis; vision carrier unmodulated; FM PLL only; "ITU-R BS.468-4"	48	56	-	dB
$(S/N)_{unw(AF)}$	AF unweighted signal-to-noise ratio	radio mode (10.7 MHz); 22.5 kHz FM deviation; 75 μs de-emphasis	-	58	-	dB
$V_{SC(rsdc)}(RMS)$	RMS residual sound carrier voltage	fundamental wave and harmonics; without de-emphasis	-	-	2	mV
α_{AM}	AM suppression	referenced to 27 kHz FM deviation; 50 μs de-emphasis; AM: $f = 1\text{ kHz}$; $m = 54\text{ \%}$	35	46	-	dB
PSRR	power supply ripple rejection	$f_{ripple} = 70\text{ Hz}$; see Figure 11	14	20	-	dB

Table 53. Characteristics ...continued

$V_P = 5\text{ V}$; $T_{amb} = 25\text{ }^\circ\text{C}$; see [Table 24](#) for input frequencies; B/G standard is used for the specification ($f_{PC} = 38.375\text{ MHz}$; $f_{SC} = 32.875\text{ MHz}$; $PC / SC = 13\text{ dB}$; $f_{AF} = 400\text{ Hz}$); input level $V_{i(IF)} = 10\text{ mV (RMS)}$ (sync level for B/G; peak white level for L); IF input from $50\text{ }\Omega$ via broadband transformer 1 : 1; video modulation: Vestigial SideBand (VSB); residual carrier for B/G is 10 % and for L is 3 %; video signal in accordance with "ITU-T J.63 line 17 and line 330" or "NTC-7 Composite"; internal Nyquist slope switched on ($W7[0] = 0$); measurements taken in test circuit of [Figure 51](#); unless otherwise specified.

Symbol	Parameter	Conditions	Min	Typ	Max	Unit		
Audio amplifier								
Audio output; pin AUD								
R_O	output resistance		[3] -	-	300	Ω		
V_O	output voltage		2.0	2.4	2.7	V		
R_L	load resistance	AC-coupled	[3] 10	-	-	k Ω		
		DC-coupled	[3] 100	-	-	k Ω		
C_L	load capacitance		[3] -	-	1	nF		
$V_{o(AF)(RMS)}$	RMS AF output voltage	25 kHz FM deviation; 75 μs de-emphasis; see Table 27	0 dB	400	500	600	mV	
			-6 dB	-	250	-	mV	
			-12 dB	-	125	-	mV	
			-18 dB	-	62.5	-	mV	
			AM; $m = 54\%$; see Table 27					
			0 dB	400	500	600	mV	
	-6 dB	-	250	-	mV			
$f_{-3dB(AF)u}$	upper AF cut-off frequency	W3[2] = 0 (without de-emphasis)	[22] -	150	-	kHz		
$f_{-3dB(AF)l}$	lower AF cut-off frequency	W3[2] = 0 (without de-emphasis)	[23] -	20	-	Hz		
α_{mute}	mute attenuation	of AF signal	70	-	-	dB		
ΔV_{jmp}	jump voltage difference (DC)	switching AF output to mute state or vice versa; activated by digital acquisition help W3[6] = 1 or via W3[5]	-	± 50	± 150	mV		
PSRR	power supply ripple rejection	$f_{ripple} = 70\text{ Hz}$; see Figure 11	14	20	-	dB		
De-emphasis network; pin CDEEM								
V_O	output voltage		-	2.4	-	V		
R_O	output resistance	W3[3:2] = 11 (50 μs de-emphasis)	8.5	-	14	k Ω		
		W3[3:2] = 01 (75 μs de-emphasis)	13	-	21	k Ω		
$V_{AF(RMS)}$	RMS AF voltage	$f_{AF} = 400\text{ Hz}$; $V_{o(AF)} = 500\text{ mV (RMS)}$; 0 dB attenuation	-	170	-	mV		

Table 53. Characteristics ...continued

$V_P = 5\text{ V}$; $T_{amb} = 25\text{ °C}$; see [Table 24](#) for input frequencies; B/G standard is used for the specification ($f_{PC} = 38.375\text{ MHz}$; $f_{SC} = 32.875\text{ MHz}$; $PC / SC = 13\text{ dB}$; $f_{AF} = 400\text{ Hz}$); input level $V_{i(IF)} = 10\text{ mV (RMS)}$ (sync level for B/G; peak white level for L); IF input from $50\text{ }\Omega$ via broadband transformer 1 : 1; video modulation: Vestigial SideBand (VSB); residual carrier for B/G is 10 % and for L is 3 %; video signal in accordance with "ITU-T J.63 line 17 and line 330" or "NTC-7 Composite"; internal Nyquist slope switched on ($W7[0] = 0$); measurements taken in test circuit of [Figure 51](#); unless otherwise specified.

Symbol	Parameter	Conditions	Min	Typ	Max	Unit	
AF decoupling							
<i>Pin CAF</i>							
V_{dec}	decoupling voltage (DC)	$f_{FMPLL} = 4.5\text{ MHz}$	1.5	1.9	3.3	V	
		$f_{FMPLL} = 5.5\text{ MHz}$	1.5	2.2	3.3	V	
		$f_{FMPLL} = 6.0\text{ MHz}$	1.5	2.35	3.3	V	
		$f_{FMPLL} = 6.5\text{ MHz}$	1.5	2.5	3.3	V	
		$f_{FMPLL} = 10.7\text{ MHz}$	1.5	2.3	3.3	V	
I_L	leakage current	$\Delta V_{AUD} < \pm 50\text{ mV (p-p)}$; 0 dB attenuation	-	-	± 25	nA	
$I_{o(max)}$	maximum output current	sink or source	1.15	1.5	1.85	μA	
FM operation [24] [25]							
Single reference QSS AF performance; pin AUD [26]							
$(S/N)_{w(SC1)}$	first sound carrier weighted signal-to-noise ratio	PC / SC1 > 40 dB at pins IF1A and IF1B or IF2A and IF2B; 27 kHz FM deviation; BP off; "ITU-R BS.468-4"					
			black picture	45	50	-	dB
			white picture	45	50	-	dB
			6 kHz sine wave (black-to-white modulation)	43	47	-	dB
			250 kHz square wave (black-to-white modulation)	45	50	-	dB

Table 53. Characteristics ...continued

$V_P = 5\text{ V}$; $T_{amb} = 25\text{ }^\circ\text{C}$; see [Table 24](#) for input frequencies; B/G standard is used for the specification ($f_{PC} = 38.375\text{ MHz}$; $f_{SC} = 32.875\text{ MHz}$; $PC / SC = 13\text{ dB}$; $f_{AF} = 400\text{ Hz}$); input level $V_{i(IF)} = 10\text{ mV (RMS)}$ (sync level for B/G; peak white level for L); IF input from $50\text{ }\Omega$ via broadband transformer 1 : 1; video modulation: Vestigial SideBand (VSB); residual carrier for B/G is 10 % and for L is 3 %; video signal in accordance with "ITU-T J.63 line 17 and line 330" or "NTC-7 Composite"; internal Nyquist slope switched on ($W7[0] = 0$); measurements taken in test circuit of [Figure 51](#); unless otherwise specified.

Symbol	Parameter	Conditions	Min	Typ	Max	Unit
Single reference QSS AF performance with external FM demodulator connected to OUT1A and OUT1B^[27]						
$(S/N)_{w(SC1)}$	first sound carrier weighted signal-to-noise ratio	PC / SC1 > 40 dB at pins IF1A and IF1B or IF2A and IF2B; 27 kHz FM deviation; BP off; "ITU-R BS.468-4"				
		black picture	53	58	-	dB
		white picture	50	53	-	dB
		6 kHz sine wave (black-to-white modulation)	44	48	-	dB
		250 kHz square wave (black-to-white modulation)	40	45	-	dB
		sound carrier subharmonics; $f = 2.75\text{ MHz} \pm 3\text{ kHz}$	45	51	-	dB
		sound carrier subharmonics; $f = 2.87\text{ MHz} \pm 3\text{ kHz}$	46	52	-	dB
$(S/N)_{w(SC2)}$	second sound carrier weighted signal-to-noise ratio	with external reference FM demodulator; PC / SC2 > 40 dB at pins IF1A and IF1B or IF2A and IF2B; 27 kHz (54 % FM deviation); BP off; "ITU-R BS.468-4"				
		black picture	48	55	-	dB
		white picture	46	51	-	dB
		6 kHz sine wave (black-to-white modulation)	42	46	-	dB
		250 kHz square wave (black-to-white modulation)	29	34	-	dB
		sound carrier subharmonics; $f = 2.75\text{ MHz} \pm 3\text{ kHz}$	44	50	-	dB
		sound carrier subharmonics; $f = 2.87\text{ MHz} \pm 3\text{ kHz}$	45	51	-	dB

AM operation

L standard; pin AUD

Symbol	Parameter	Conditions	Min	Typ	Max	Unit
$V_{o(AF)(RMS)}$	RMS AF output voltage	54 % modulation	400	500	600	mV

Table 53. Characteristics ...continued

$V_P = 5\text{ V}$; $T_{amb} = 25\text{ }^\circ\text{C}$; see [Table 24](#) for input frequencies; B/G standard is used for the specification ($f_{PC} = 38.375\text{ MHz}$; $f_{SC} = 32.875\text{ MHz}$; $PC / SC = 13\text{ dB}$; $f_{AF} = 400\text{ Hz}$); input level $V_{i(IF)} = 10\text{ mV (RMS)}$ (sync level for B/G; peak white level for L); IF input from $50\text{ }\Omega$ via broadband transformer 1 : 1; video modulation: Vestigial SideBand (VSB); residual carrier for B/G is 10 % and for L is 3 %; video signal in accordance with "ITU-T J.63 line 17 and line 330" or "NTC-7 Composite"; internal Nyquist slope switched on ($W7[0] = 0$); measurements taken in test circuit of [Figure 51](#); unless otherwise specified.

Symbol	Parameter	Conditions	Min	Typ	Max	Unit
THD	total harmonic distortion	54 % modulation; BP on; see Figure 33	-	0.5	1.0	%
$B_{AF(-3dB)}$	-3 dB AF bandwidth		12	18	-	kHz
$(S/N)_{w(AF)}$	AF weighted signal-to-noise ratio	"ITU-R BS.468-4"				
		BP on	38	42	-	dB
		BP off	44	50	-	dB
		composite IF; PC / SC = 10 dB; VIF modulation = color bar; "ITU-R BS.468-4"; SAW filter application see Figure 47 ; BP on	-	40	-	dB

Reference frequency

General

f_{ref}	reference frequency		[28] -	4	-	MHz
-----------	---------------------	--	------------------------	---	---	-----

Reference frequency generation with crystal; pin OPTXTAL

$V_{OPTXTAL}$	voltage on pin OPTXTAL (DC)	pin open-circuit	2.3	2.6	2.9	V
R_i	input resistance		[3] -	2	-	k Ω
$R_{rsn(xtal)}$	crystal resonance resistance		-	-	200	Ω
C_{pull}	pull capacitance		[29] -	-	-	pF
$R_{swoff(OPTXTAL)}$	switch-off resistance on pin OPTXTAL	to switch off crystal input by external resistor wired between pin OPTXTAL and GND	0.22	-	4.7	k Ω
I_{swoff}	switch-off current	$R_{swoff(OPTXTAL)} = 0.22\text{ k}\Omega$	-	-	5000	μA
		$R_{swoff(OPTXTAL)} = 3.3\text{ k}\Omega$	-	500	-	μA

Reference frequency input from external source; pin OPTXTAL

$V_{OPTXTAL}$	voltage on pin OPTXTAL (DC)	pin open-circuit	2.3	2.6	2.9	V
R_i	input resistance		[3] -	2	-	k Ω
$V_{ref(RMS)}$	RMS reference voltage		80	-	400	mV
R_O	output resistance	of external reference signal source	[3] -	2	4.7	k Ω
C_{dec}	decoupling capacitance	to external reference signal source	[3] 22	100	-	pF

Reference frequency input from external source; pin FREF

V_{FREF}	voltage on pin FREF (DC)	pin open-circuit	2.2	2.5	2.8	V
R_i	input resistance		[3] 50	-	-	k Ω
f_{ref}	reference frequency		[28] -	4	-	MHz

Table 53. Characteristics ...continued

$V_P = 5\text{ V}$; $T_{amb} = 25\text{ }^\circ\text{C}$; see [Table 24](#) for input frequencies; B/G standard is used for the specification ($f_{PC} = 38.375\text{ MHz}$; $f_{SC} = 32.875\text{ MHz}$; $PC / SC = 13\text{ dB}$; $f_{AF} = 400\text{ Hz}$); input level $V_{i(IF)} = 10\text{ mV (RMS)}$ (sync level for B/G; peak white level for L); IF input from $50\text{ }\Omega$ via broadband transformer 1 : 1; video modulation: Vestigial SideBand (VSB); residual carrier for B/G is 10 % and for L is 3 %; video signal in accordance with "ITU-T J.63 line 17 and line 330" or "NTC-7 Composite"; internal Nyquist slope switched on ($W7[0] = 0$); measurements taken in test circuit of [Figure 51](#); unless otherwise specified.

Symbol	Parameter	Conditions	Min	Typ	Max	Unit
$V_{ref(RMS)}$	RMS reference voltage	see Figure 34	15	150	500	mV
R_O	output resistance	of external reference signal source; AC-coupled	-	-	4.7	k Ω
C_{dec}	decoupling capacitance	to external reference signal source	22	100	-	pF
$R_{swoff(FREF)}$	switch-off resistance on pin FREF	to switch off reference signal input by external resistor wired between pin FREF and GND	3.9	-	27	k Ω
I_{swoff}	switch-off current	$R_{swoff(FREF)} = 3.9\text{ k}\Omega$	-	-	100	μA
		$R_{swoff(FREF)} = 22\text{ k}\Omega$	-	25	-	μA

Group delay select; pin GDS; see [Figure 24](#) and [Table 50](#)

V_{GDS}	voltage on pin GDS	pin open-circuit	-	V_P	-	V
$I_{sink(I)}$	input sink current	pin connected to V_P	-	-	1	μA
$I_{source(I)}$	input source current	pin connected to GND	-	-	72	μA
V_I	input voltage	GDEQ on; $W11[2] = 0$; pin connected to GND	0	-	$0.46V_P$	V
		GDEQ on; $W11[2] = 1$; pin open-circuit	$0.58V_P$	-	V_P	V
		GDEQ off; $W11[2] = 1$; pin connected to GND	0	-	$0.46V_P$	V
		GDEQ off; $W11[2] = 0$; pin open-circuit	$0.58V_P$	-	V_P	V

I²C-bus transceiver^[30]

Address select; pin ADRSEL

V_{ADRSEL}	voltage on pin ADRSEL (DC)	pin open-circuit for address select	-	$0.5V_P$	-	V
		MAD1; pin connected to GND	0	-	$0.04V_P$	V
		MAD3; pin connected to GND via R_{ADRSEL}	$0.20V_P$	-	$0.34V_P$	V
		MAD4; pin connected to V_P via R_{ADRSEL}	$0.66V_P$	-	$0.80V_P$	V
		MAD2; pin connected to V_P	$0.96V_P$	-	V_P	V
R_i	input resistance		^[3] -	31	-	k Ω
R_{ADRSEL}	resistance on pin ADRSEL		42.3	47	51.7	k Ω

I²C-bus voltage select; pin BVS

V_{BVS}	voltage on pin BVS (DC)	pin open-circuit	-	$0.52V_P$	-	V
$I_{sink(I)}$	input sink current	pin connected to V_P	-	-	10	μA
$I_{source(I)}$	input source current	pin connected to GND	-	-	60	μA

Table 53. Characteristics ...continued

$V_P = 5\text{ V}$; $T_{amb} = 25\text{ °C}$; see [Table 24](#) for input frequencies; B/G standard is used for the specification ($f_{PC} = 38.375\text{ MHz}$; $f_{SC} = 32.875\text{ MHz}$; $PC / SC = 13\text{ dB}$; $f_{AF} = 400\text{ Hz}$); input level $V_{i(IF)} = 10\text{ mV (RMS)}$ (sync level for B/G; peak white level for L); IF input from $50\ \Omega$ via broadband transformer 1 : 1; video modulation: Vestigial SideBand (VSB); residual carrier for B/G is 10 % and for L is 3 %; video signal in accordance with "ITU-T J.63 line 17 and line 330" or "NTC-7 Composite"; internal Nyquist slope switched on ($W7[0] = 0$); measurements taken in test circuit of [Figure 51](#); unless otherwise specified.

Symbol	Parameter	Conditions	Min	Typ	Max	Unit
V_I	input voltage	$V_{CC(I2C-bus)} = 5.0\text{ V}$; pin connected to V_P	0.88 V_P	-	V_P	V
		$V_{CC(I2C-bus)} = 3.3\text{ V}$; pin open-circuit	0.46 V_P	-	0.58 V_P	V
		$V_{CC(I2C-bus)} = 2.5\text{ V}$; pin connected to GND	0	-	0.12 V_P	V
I²C-bus transceiver; pins SCL and SDA^[31]						
V_{IH}	HIGH-level input voltage	$V_{CC(I2C-bus)} = 5.0\text{ V}$	[32] 0.6 V_P	-	V_P	V
		$V_{CC(I2C-bus)} = 3.3\text{ V}$	[33] 2.3	-	V_P	V
		$V_{CC(I2C-bus)} = 2.5\text{ V}$	[33] 1.75	-	V_P	V
V_{IL}	LOW-level input voltage	$V_{CC(I2C-bus)} = 5.0\text{ V}$	[32] -0.3	-	+0.3 V_P	V
		$V_{CC(I2C-bus)} = 3.3\text{ V}$	[33] -0.3	-	+1.0	V
		$V_{CC(I2C-bus)} = 2.5\text{ V}$	[33] -0.3	-	+0.75	V
I_{IH}	HIGH-level input current		-10	-	+10	μA
I_{IL}	LOW-level input current		-10	-	+10	μA
V_{OL}	LOW-level output voltage	$I_{OL} = 3\text{ mA}$; for data transmission (SDA)	-	-	0.4	V
f_{SCL}	SCL clock frequency		0	-	400	kHz
Pins PORT1 or PORT2 or PORT3 operating as open-collector output port						
V_{OL}	LOW-level output voltage	$I = 2\text{ mA}$ (sink)	-	-	0.4	V
$I_{sink(o)}$	output sink current	PORT1				
		$W7[3] = 0$	-	-	3	mA
		$W7[3] = 1$	-	-	10	μA
		PORT2; $W8[7] = 1$				
		$W8[1] = 0$	-	-	3	mA
		$W8[1] = 1$	-	-	10	μA
		PORT3; $W8[7] = 1$				
		$W8[2] = 0$	-	-	3	mA
		$W8[2] = 1$	-	-	10	μA
V_{OH}	HIGH-level output voltage		-	-	$V_P + 0.5$	V

[1] Values of video and sound parameters can be decreased at $V_P = 4.5\text{ V}$.

[2] Condition for secure POR is a rise or fall time greater than 2 μs .

[3] This parameter is not tested during the production and is only given as application information for designing the receiver circuit.

[4] Level headroom for input level jumps during gain control setting.

- [5] $B_{LF(-3dB)} = 100$ kHz (damping factor $d = 1.7$; calculated with sync level within gain control range). Calculation of the VIF PLL filter by using the following formulae:
- $$B_{LF(-3dB)} = K_O K_D R, \text{ valid for } d \geq 1.2$$
- $$d = \frac{I}{2} R \sqrt{2\pi K_O K_D C}$$
- with the following parameters:
- K_O = VCO steepness (Hz/V),
 - K_D = phase detector steepness (A/rad),
 - R = loop filter serial resistor (Ω),
 - C = loop filter serial capacitor (F),
 - $B_{LF(-3dB)}$ = -3 dB LF bandwidth (Hz),
 - d = damping factor.
- [6] The VCO frequency offset related to the PC frequency is set to 1 MHz with white picture video modulation.
- [7] AC load; $C_L < 20$ pF and $R_L > 1$ k Ω . The sound carrier frequencies (depending on TV standard) are attenuated by the integrated sound carrier traps.
- [8] Condition: luminance range (5 steps) from 0 % to 100 %. Measurement value is based on 4 of 5 steps.
- [9] Measurement using 200 kHz high-pass filter, 5 MHz low-pass filter and subcarrier notch filter ("ITU-T J.64").
- [10] Modulation VSB; sound carrier off; $f_{\text{video}} > 0.5$ MHz.
- [11] Sound carrier on; $f_{\text{video}} = 10$ kHz to 10 MHz.
- [12] The sound carrier trap can be bypassed by setting the I²C-bus bit W2[0] to logic 0; see [Table 23](#). In this way the full composite video spectrum appears at pin CVBS. The video amplitude is reduced to 1.1 V (p-p).
- [13] Measurement condition: with transformer, transmitter pre-correction on; reference is at 1 MHz.
- [14] The response time is valid for a VIF input level range from 200 μ V to 70 mV.
- [15] AGC response time increased if no AGC event occurs during two lines at minimum.
- [16] AGC response time increased if video level falls below half of selected level.
- [17] Load applied to output pin causes signal loss. The resulting gain can be calculated by using $G_{v(\text{load})} = G_v + 20 \log\left(\frac{R_L}{R_O + R_L}\right)$.
- [18] See [Figure 19](#) to smooth current pulses.
- [19] To match the AFC output signal to different tuning systems a current output is provided. The test circuit is given in [Figure 19](#). The AFC steepness can be changed by different applications of resistors R1 and R2.
- [20] The AFC value of the VIF and RIF frequency is generated by using digital counting methods. The used counter resolution is provided with an uncertainty of ± 1 bit corresponding to ± 25 kHz. This uncertainty of ± 25 kHz has to be added to the frequency accuracy parameter.
- [21] Measured with an FM deviation of 25 kHz and the typical AF output voltage of 500 mV (RMS). The audio signal processing stage provides headroom of 6 dB with THD < 1.5 %. The I²C-bus bits W3[0] and W3[1] control the AF output signal amplitude from 0 dB to -18 dB in steps of -6 dB. Reducing the audio gain for handling a frequency deviation of more than 55 kHz avoids AF output signal clipping.
- [22] Amplitude response depends on dimensioning of FM PLL loop filter.
- [23] The lower AF cut-off frequency depends on the value of the capacitor at pin CAF. A value of $C_{AF1} = 470$ nF leads to $f_{-3dB(AF)} \approx 20$ Hz and $C_{AF1} = 220$ nF leads to $f_{-3dB(AF)} \approx 40$ Hz.
- [24] For all signal-to-noise measurements the used VIF modulator has to meet the following specifications:
- a) Incidental phase modulation for black-to-white jump less than 0.5 degrees.
 - b) QSS AF performance, measured with the television demodulator AMF2 (audio output, weighted signal-to-noise ratio) better than 60 dB (at deviation 27 kHz) for 6 kHz sine wave black-to-white video modulation.
 - c) Picture-to-sound carrier ratio PC / SC1 = 13 dB (transmitter).
- [25] The PC / SC ratio is calculated as the addition of TV transmitter PC / SC1 ratio and SAW filter PC / SC1 ratio. This PC / SC ratio is necessary to achieve the weighted signal-to-noise values as noted. A different PC / SC ratio will change these values.
- [26] Measurement condition is SC1 / SC2 ≥ 7 dB.
- [27] The differential QSS signal output on pins OUT1A and OUT1B is analyzed by a test demodulator TDA9820. The signal-to-noise ratio of this device is better than 60 dB. The measurement is related to an FM deviation of ± 27 kHz and in accordance with "ITU-R BS.468-4".

- [28] The tolerance of the reference frequency determines the accuracy of VIF AFC, RIF AFC, FM demodulator center frequency, maximum FM deviation, sound trap frequency, LIF band-pass cut-off frequency, as well as the accuracy of the synthesizer.
- [29] The value of C_{pull} determines the accuracy of the resonance frequency of the crystal. It depends on the used type of crystal.
- [30] The AC characteristics are in accordance with the I²C-bus specification for fast mode (maximum clock frequency is 400 kHz). Information about the I²C-bus can be found in the brochure "The I²C-bus and how to use it" (order number 9398 393 40011).
- [31] The SDA and SCL lines will not be pulled down if V_P is switched off.
- [32] The threshold is dependent on V_P .
- [33] The threshold is independent of V_P .

Table 54. Examples to the FM PLL filter

$B_{LF(-3dB)}$ (kHz)	C_s (nF)	C_{par} (pF)	R_s (k Ω)	Comment
200	2.2	100	8.2	recommended for single-carrier-sound, FM narrow
410	2.2	47	5.6	recommended for single-carrier-sound, FM wide
110	2.2	470	5.6	recommended for two-carrier-sound, FM narrow
210	2.2	47	8.2	used for test circuit

Table 55. Input frequencies and carrier ratios (examples)

Symbol	Parameter	B/G standard	M/N standard	L standard	L-accent standard	Unit
f_{PC}	picture carrier frequency	38.375	38.375	38.375	33.625	MHz
f_{SC1}	sound carrier frequency 1	32.825	33.825	31.825	40.125	MHz
f_{SC2}	sound carrier frequency 2	32.583	-	-	-	MHz
PC / SC1	picture to first sound carrier ratio	13	7	10	10	dB
PC / SC2	picture to second sound carrier ratio	20	-	-	-	dB

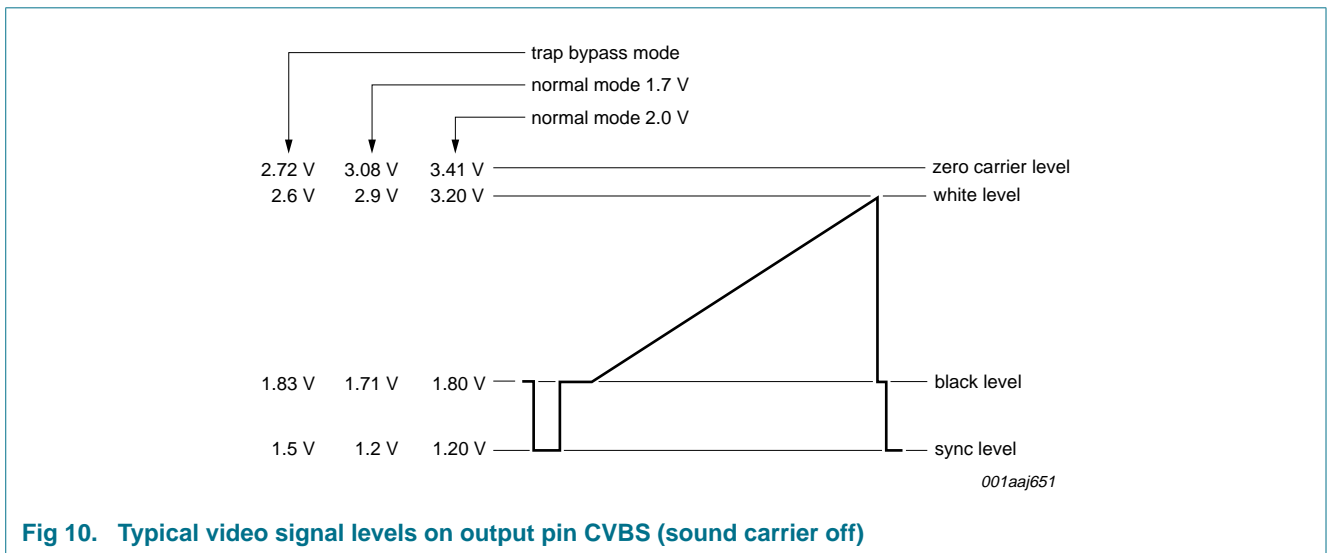


Fig 10. Typical video signal levels on output pin CVBS (sound carrier off)

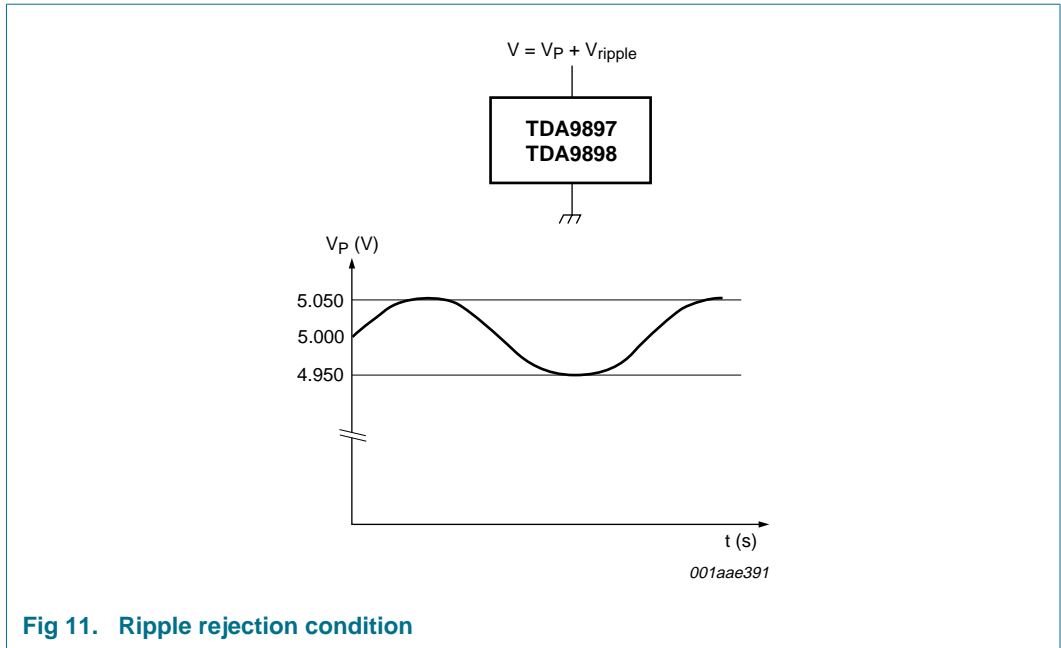


Fig 11. Ripple rejection condition

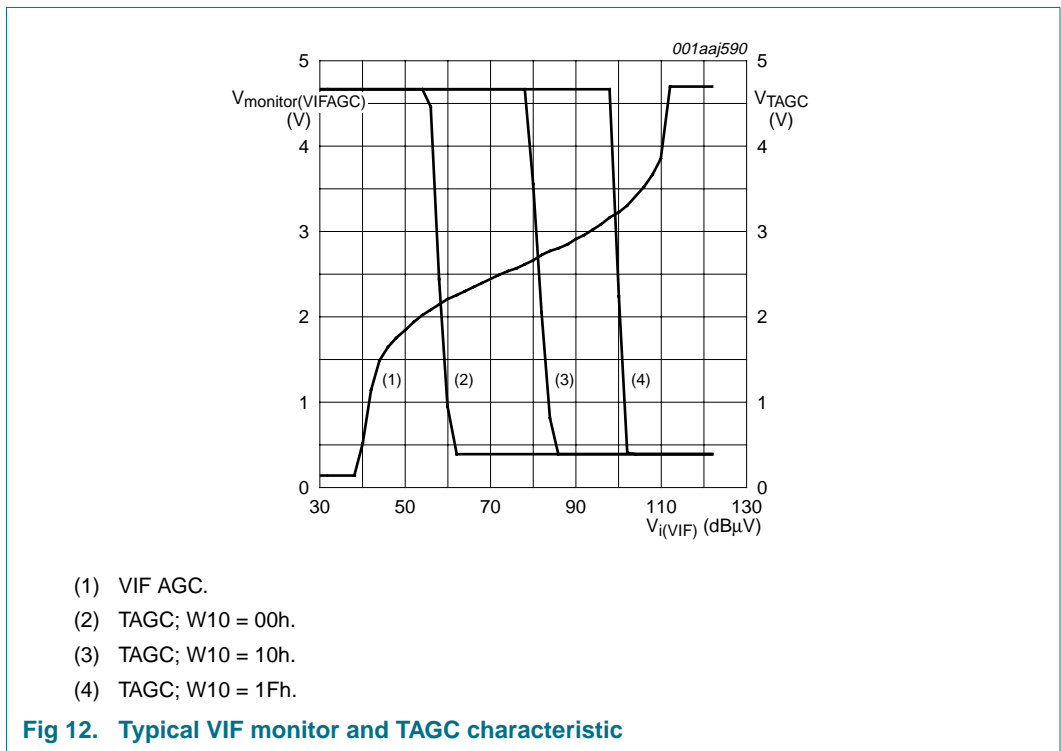
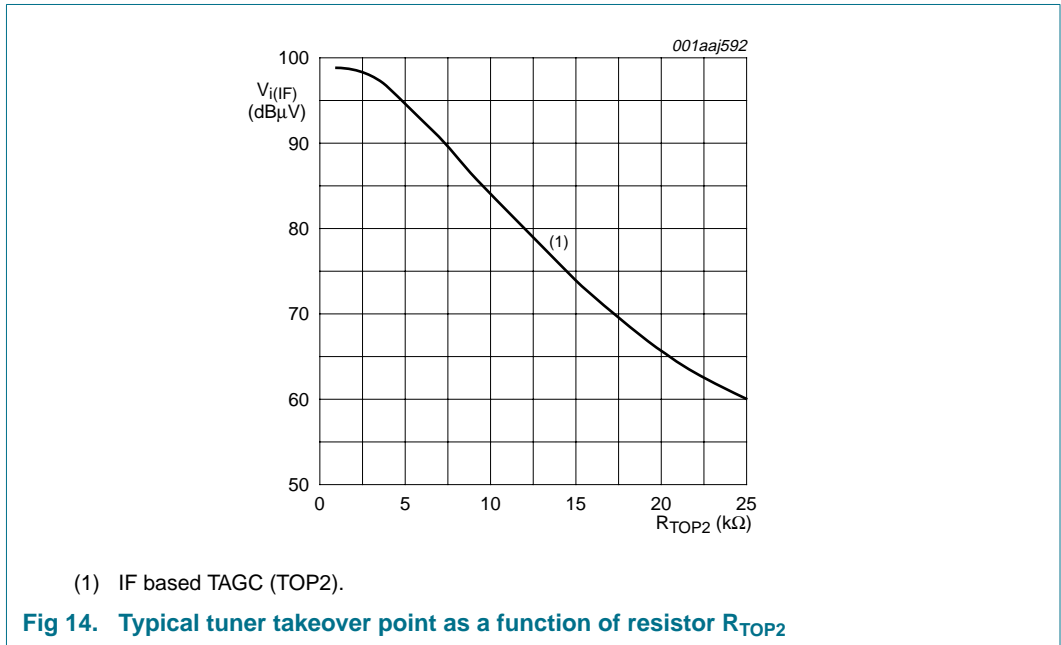
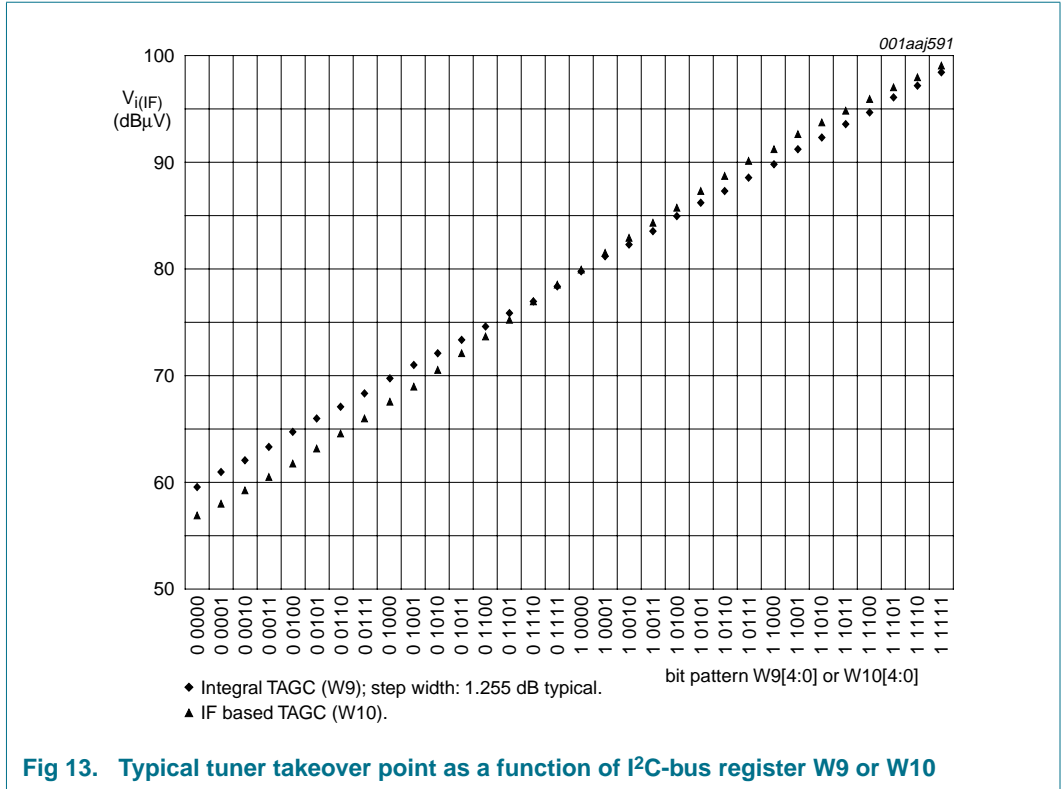
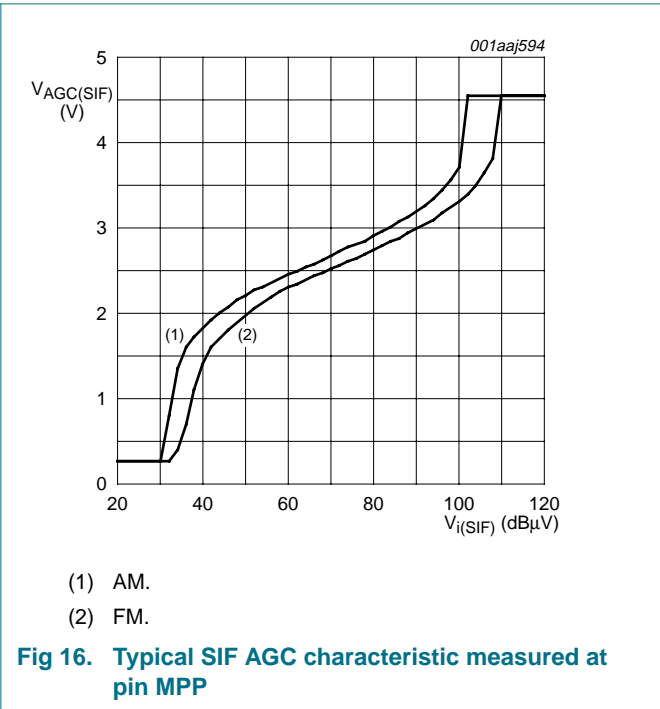
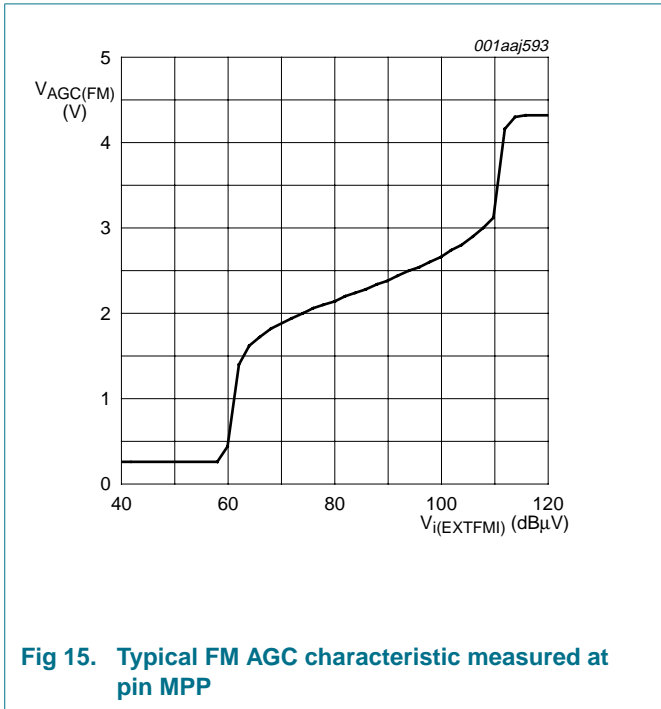
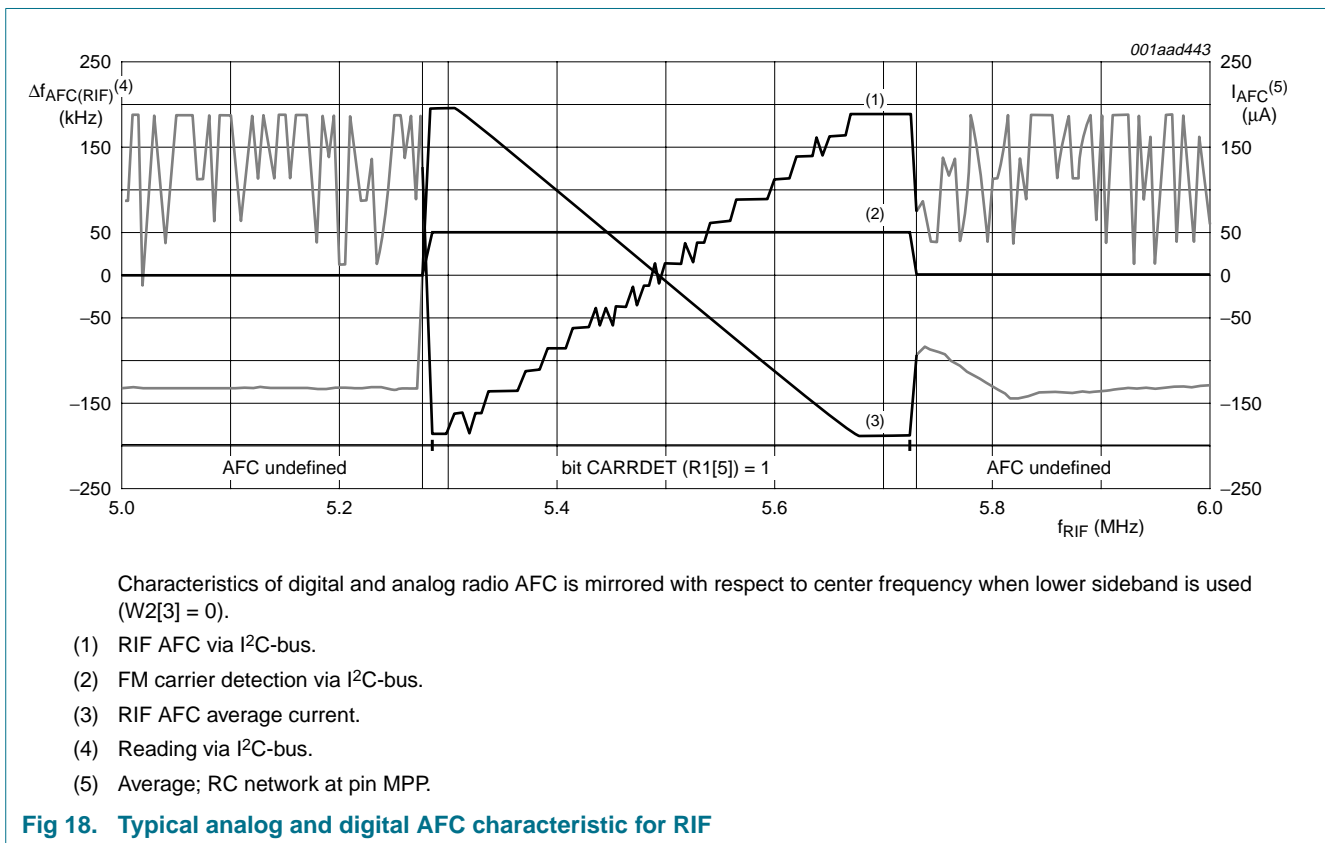
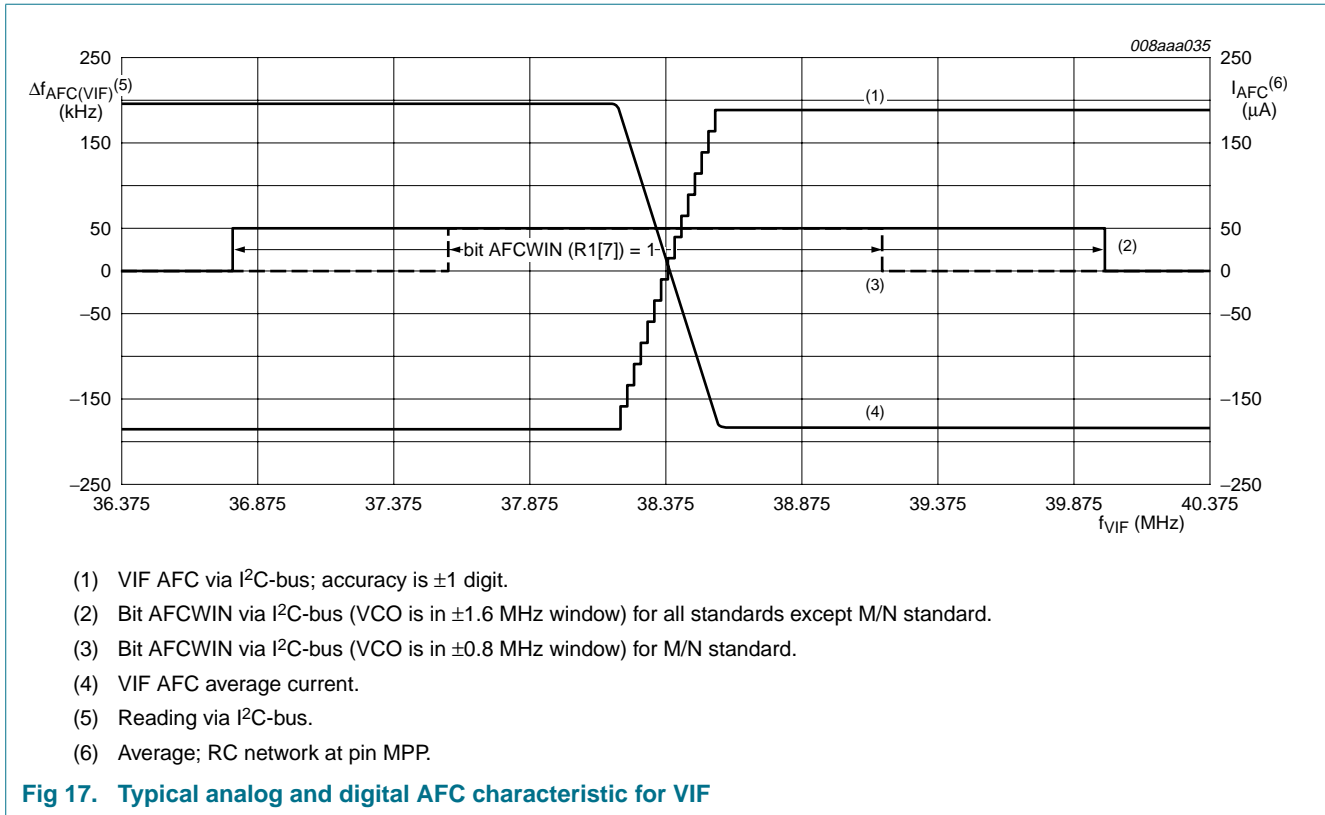


Fig 12. Typical VIF monitor and TAGC characteristic







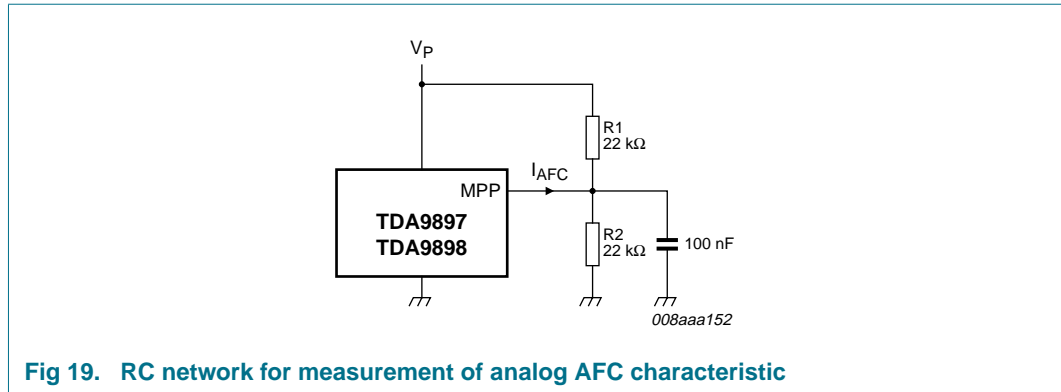


Fig 19. RC network for measurement of analog AFC characteristic

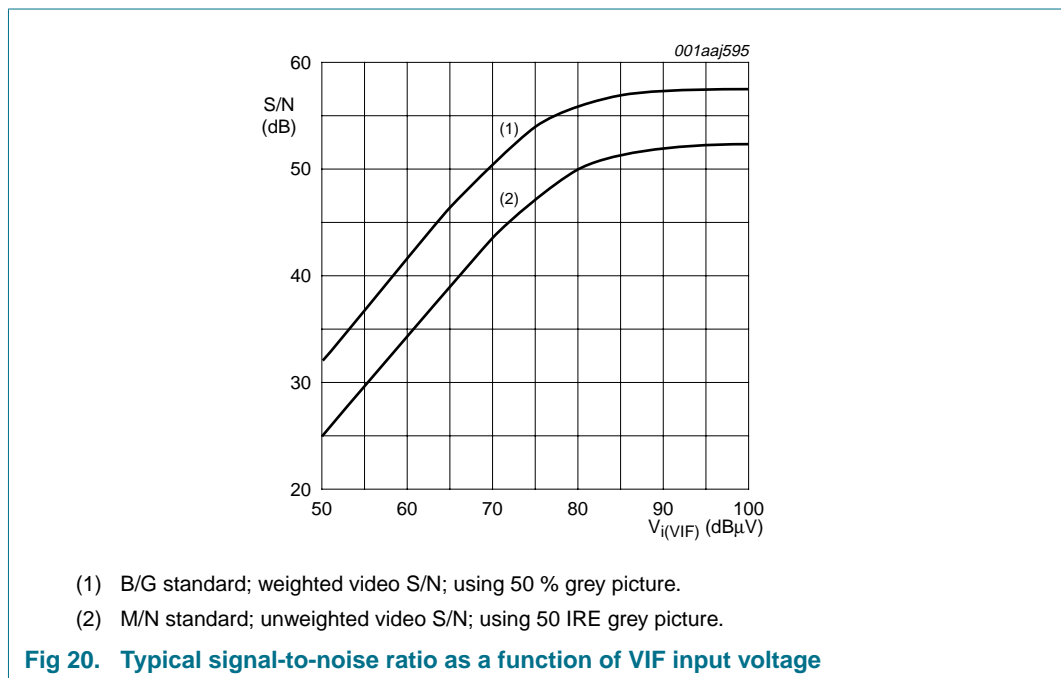
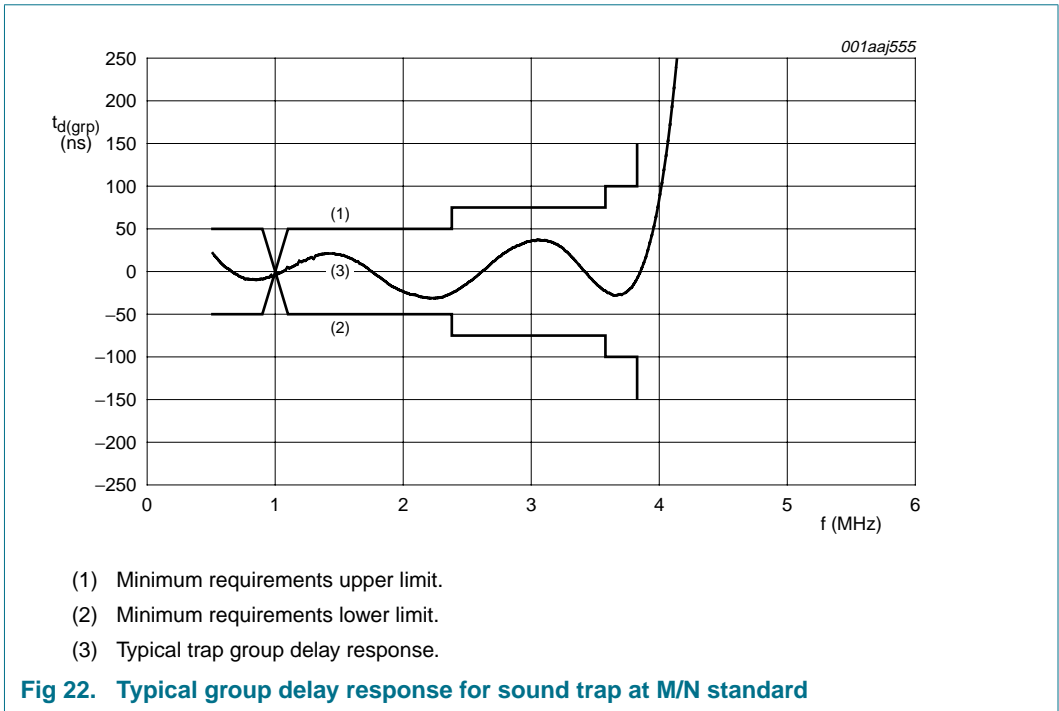
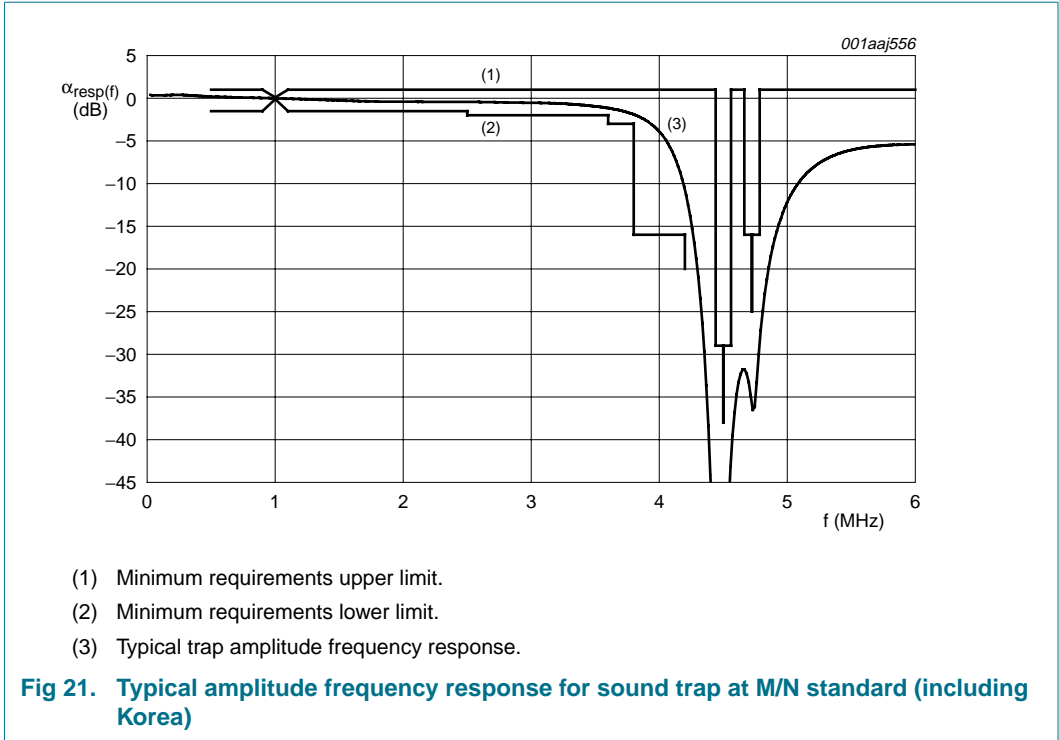
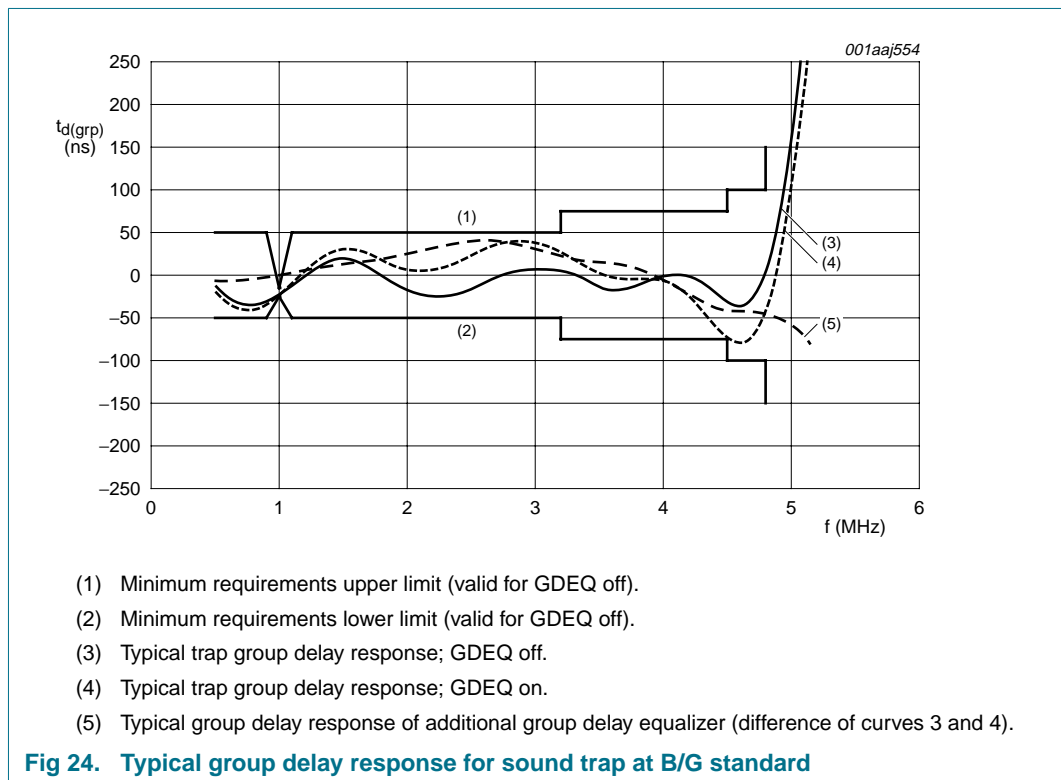
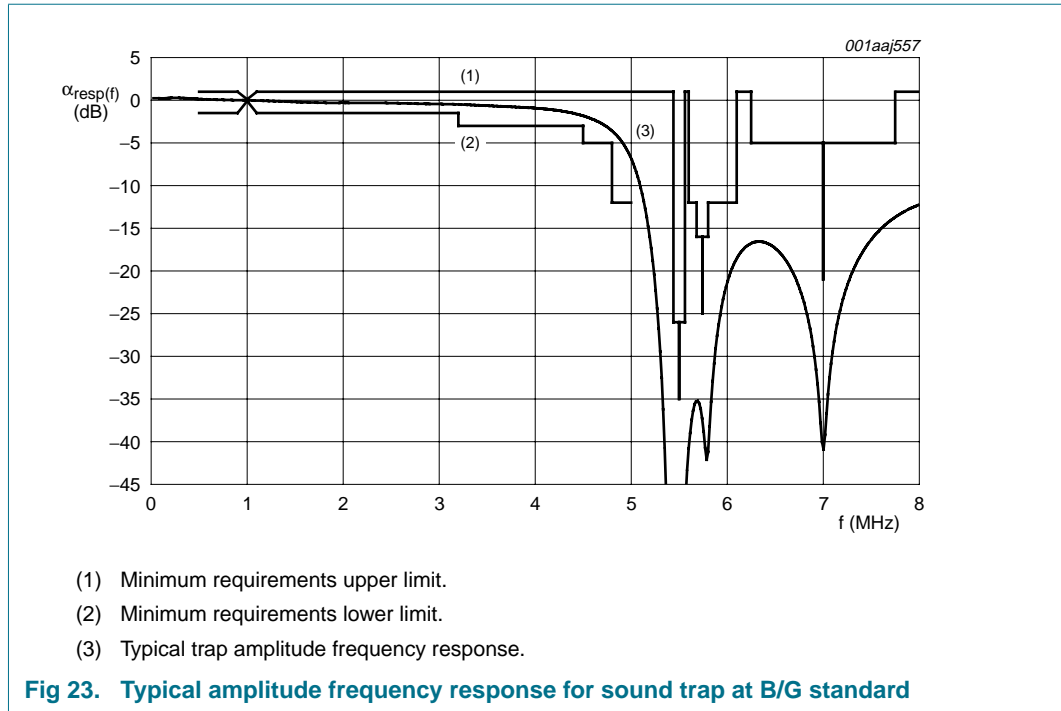
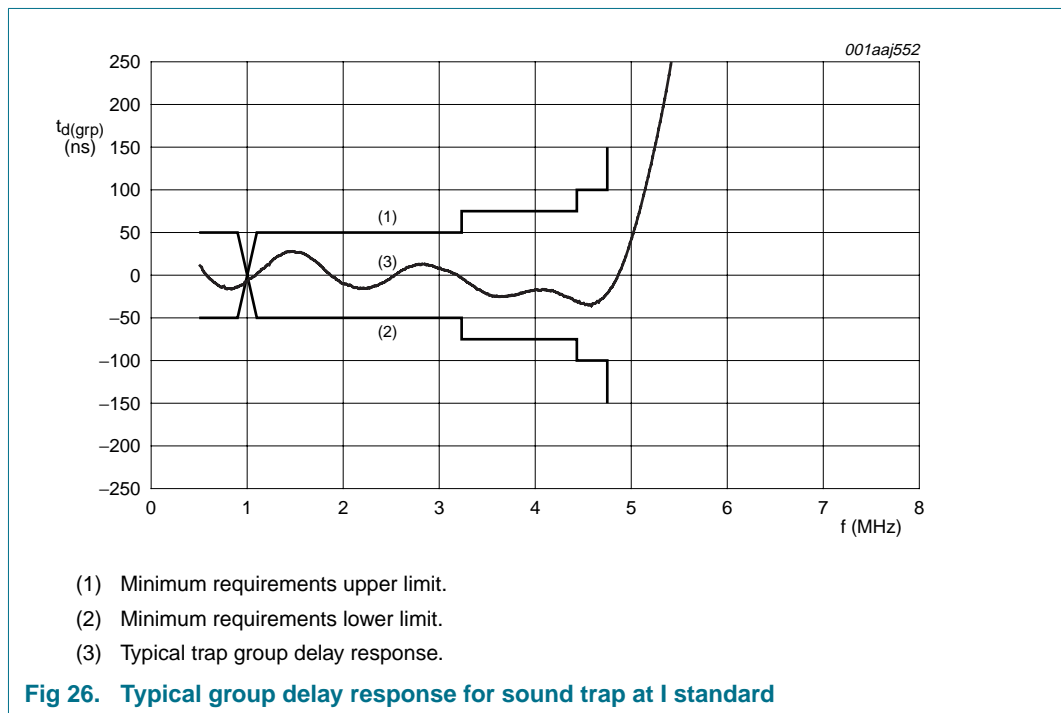
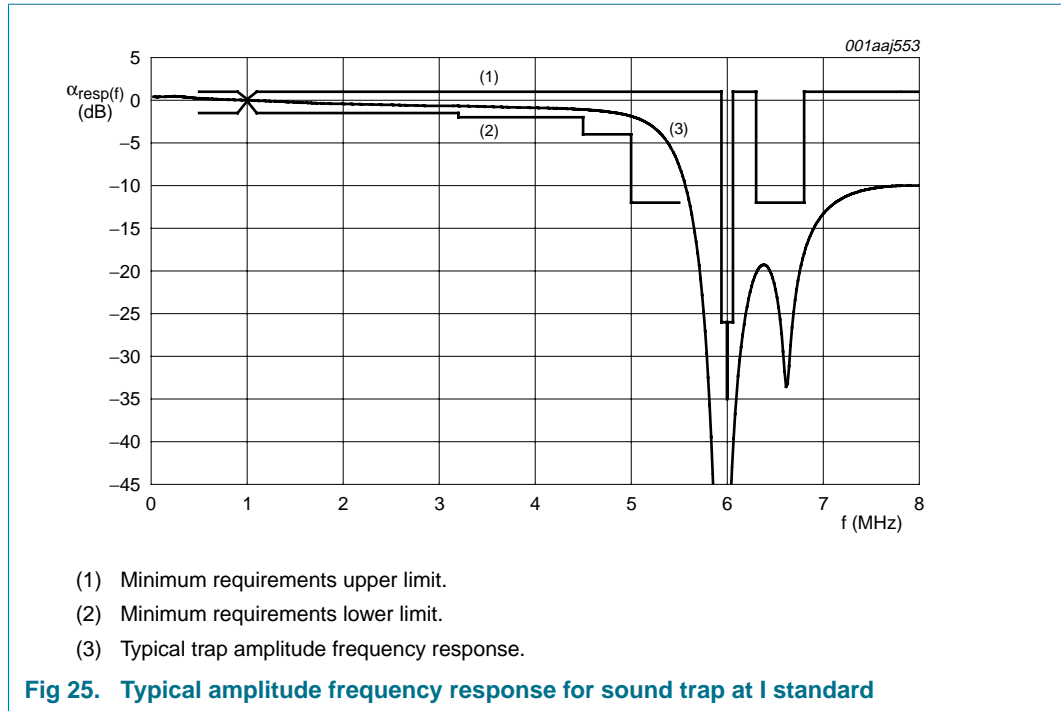
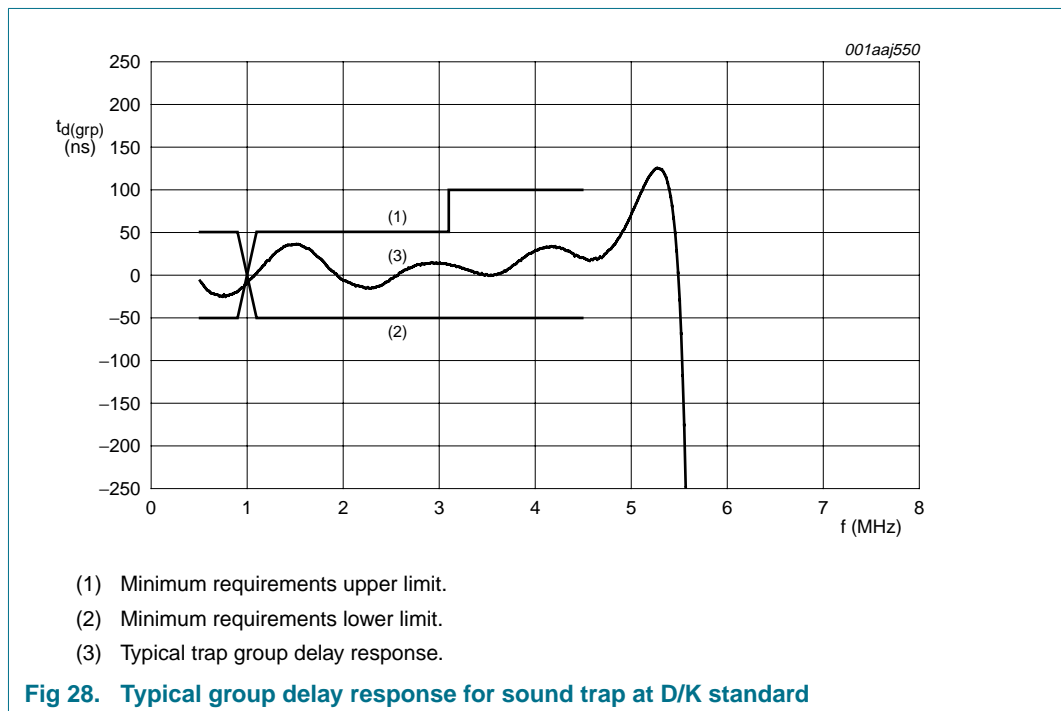
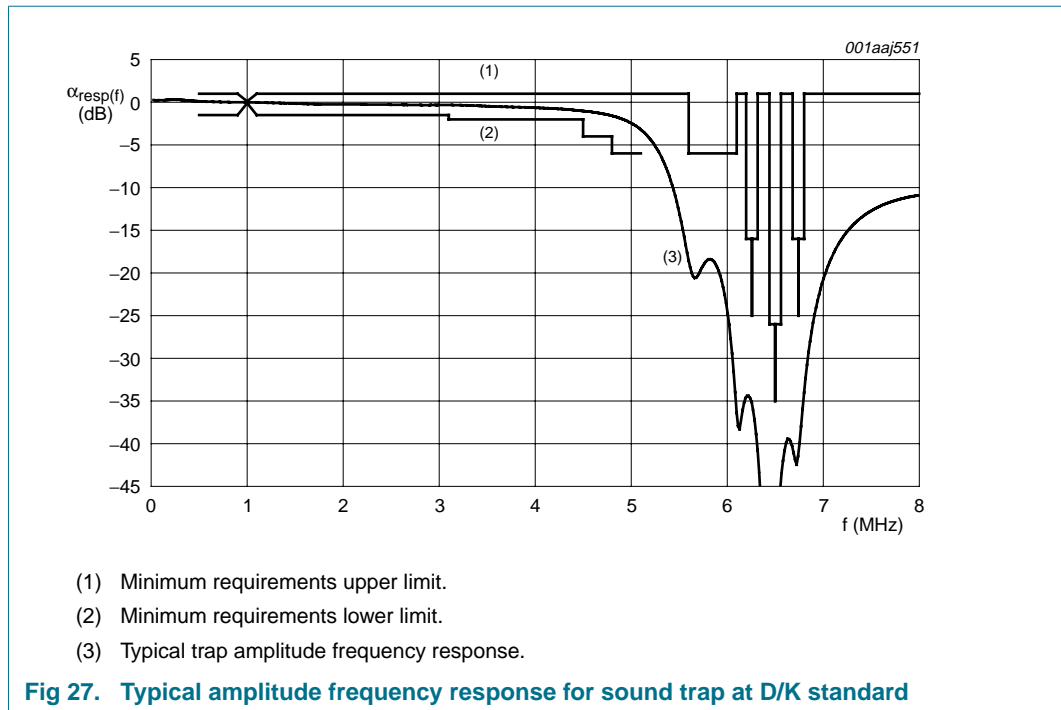


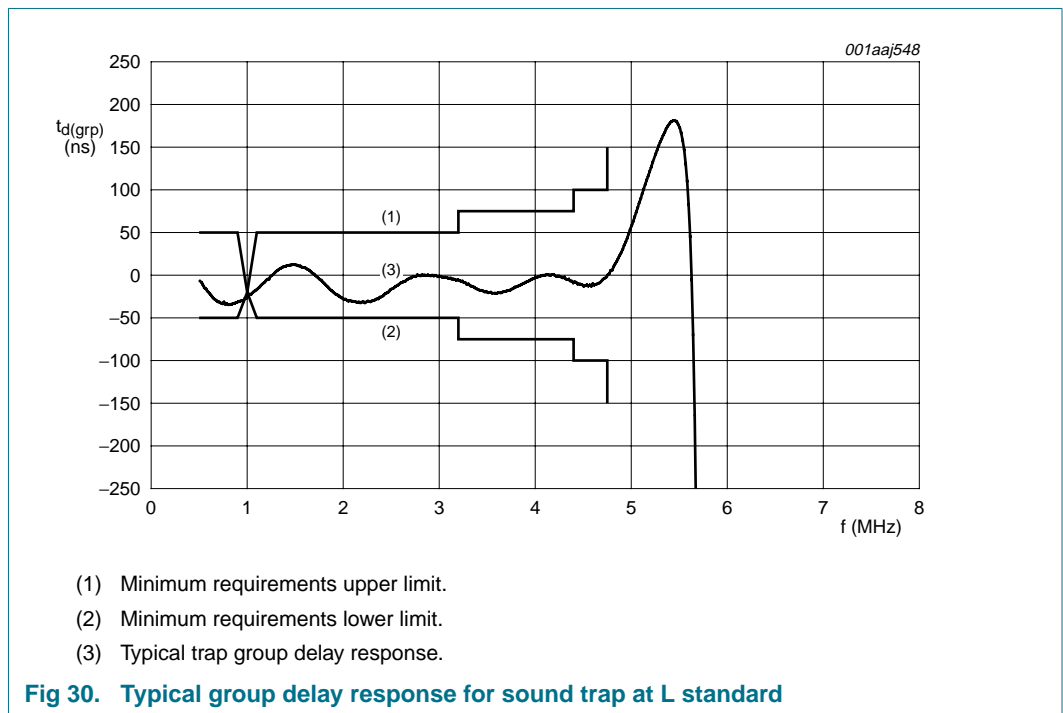
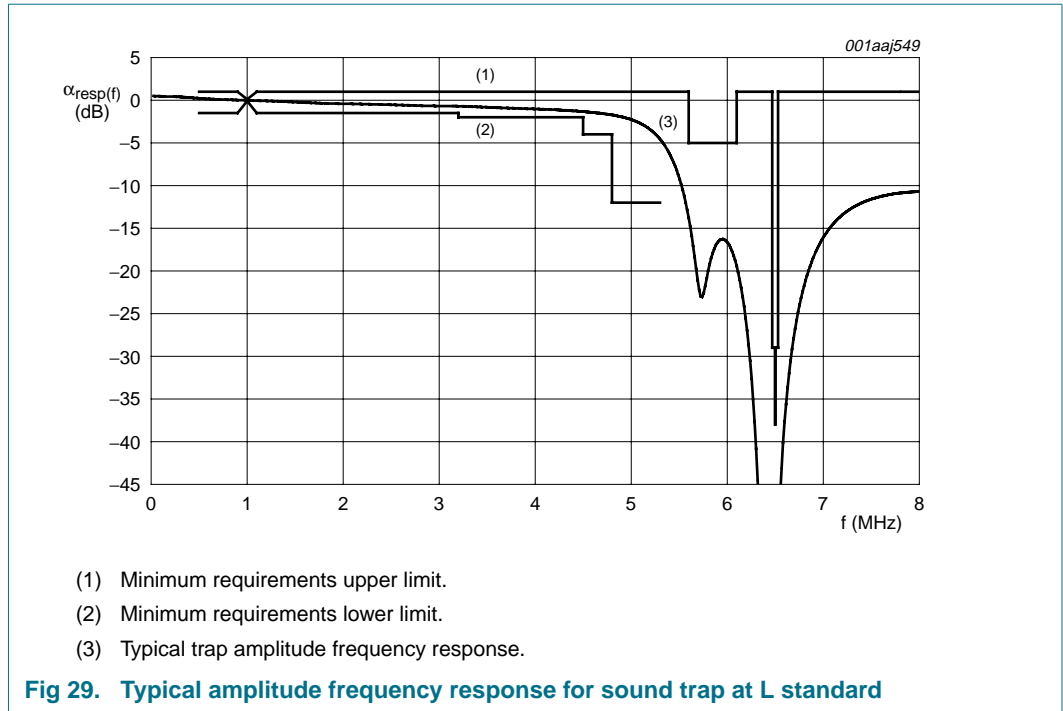
Fig 20. Typical signal-to-noise ratio as a function of VIF input voltage

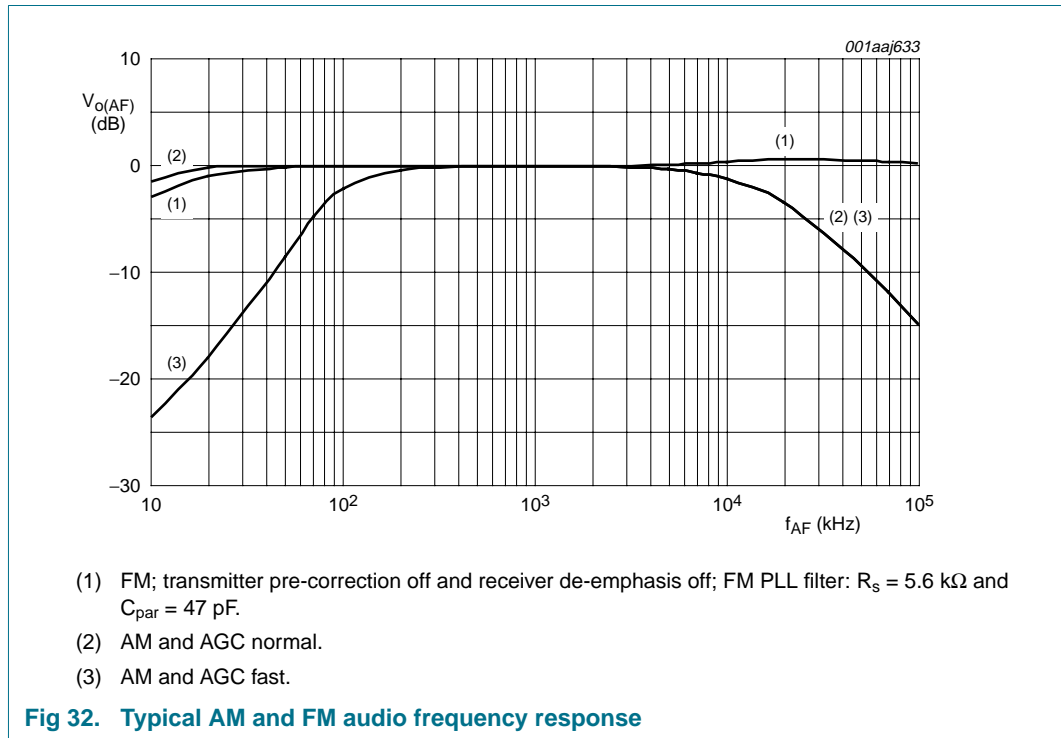
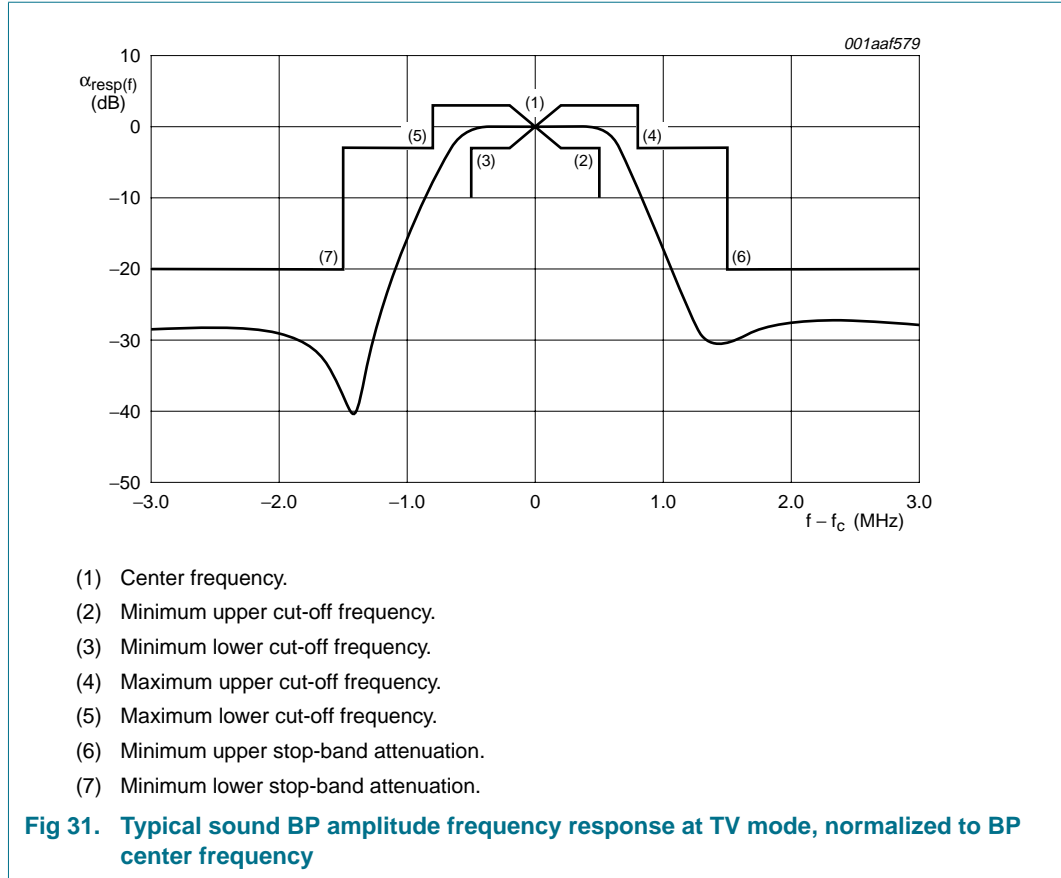


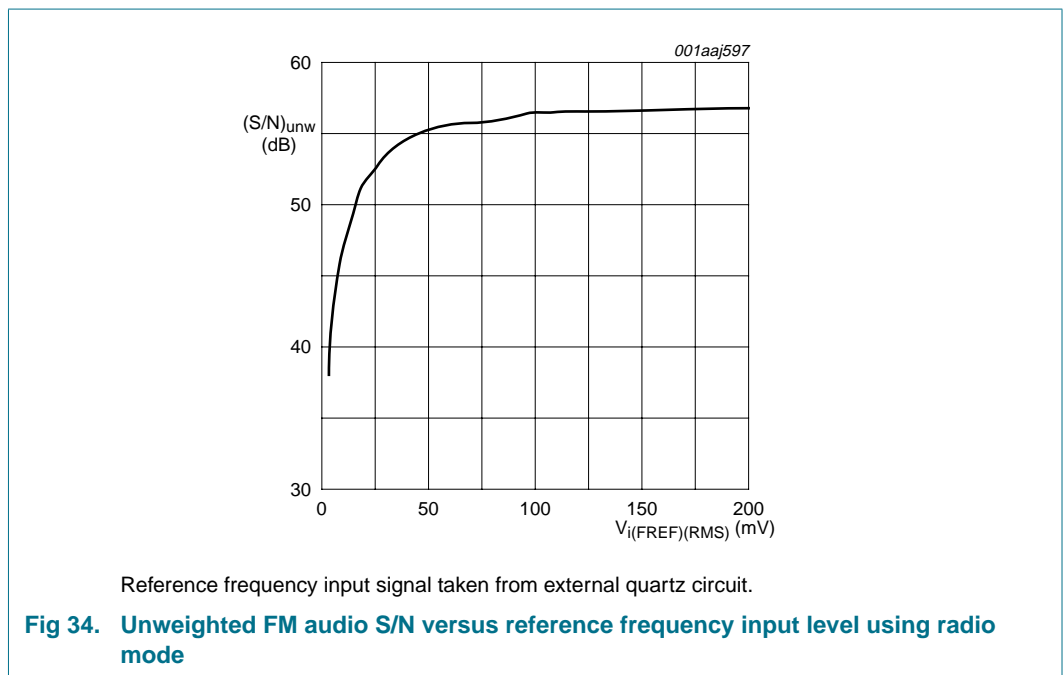
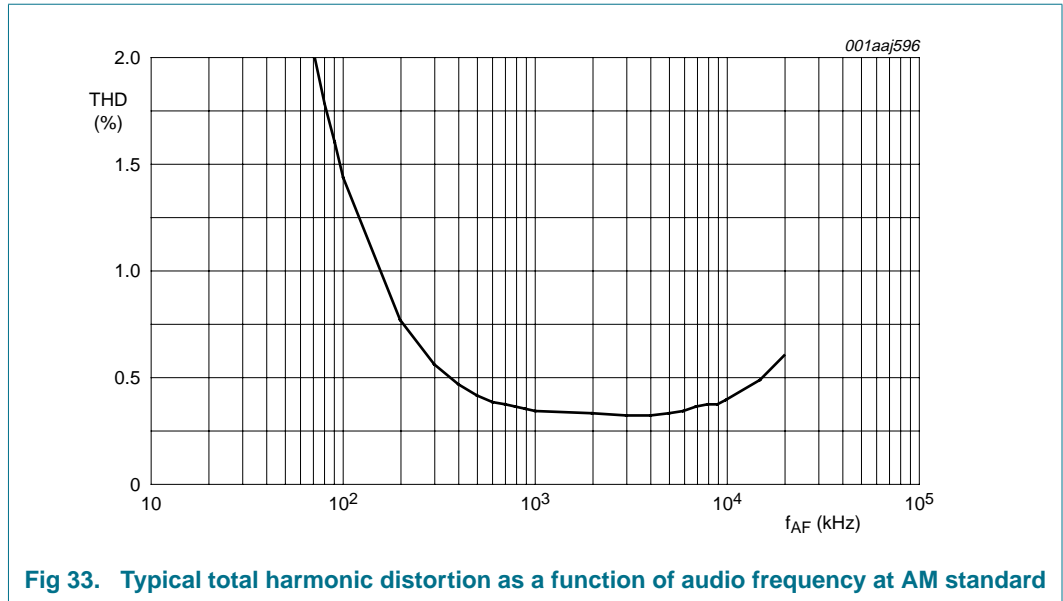


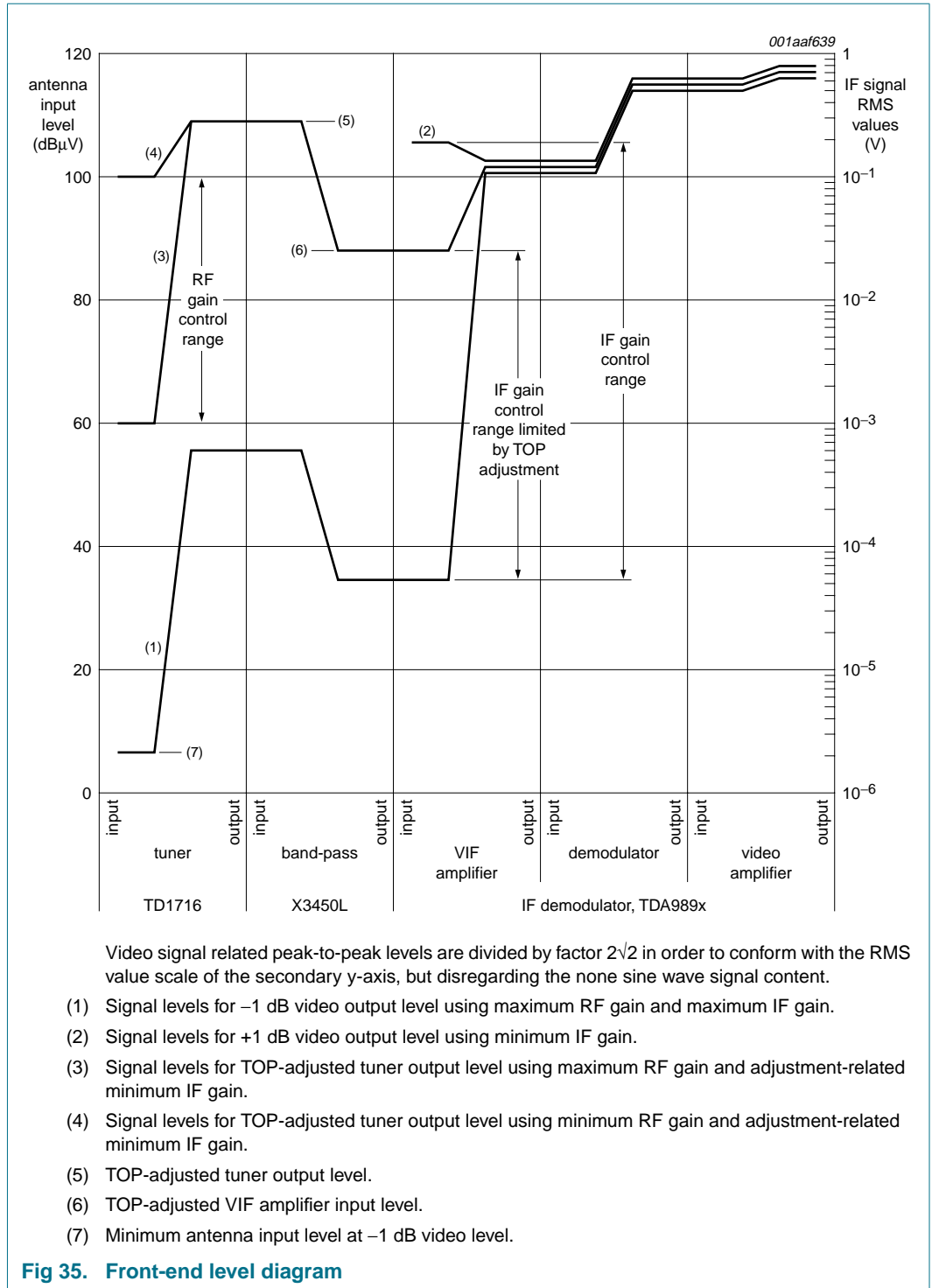












12.2 Digital TV signal processing

Table 56. Characteristics

$V_P = 5\text{ V}$; $T_{amb} = 25\text{ }^\circ\text{C}$; 8 MHz system; see Table 33 and Table 34; CW test input signal is used for specification; $V_{i(IF)} = 10\text{ mV (RMS)}$; $f_{IF} = 36\text{ MHz}$ for low IF output of 5 MHz; IF input from 50 Ω via broadband transformer 1 : 1; gain controlled amplifier adjusted to typical specified output level; measurements taken in test circuit of Figure 51 with 4 MHz crystal oscillator reference; unless otherwise specified.

Symbol	Parameter	Conditions	Min	Typ	Max	Unit
IF amplifier; IF1A and IF1B or IF2A and IF2B or pins IF3A and IF3B						
V_I	input voltage		1.8	1.93	2.2	V
$R_{i(dif)}$	differential input resistance		[2] -	2	-	k Ω
$C_{i(dif)}$	differential input capacitance		[2] -	3	-	pF
$G_{IF(cr)}$	control range IF gain		[2] 60	66	-	dB
DTV differential output; pins OUT1A, OUT1B, OUT2A and OUT2B						
V_O	output voltage	pin open-circuit	1.8	2.0	2.2	V
$I_{bias(int)}$	internal bias current (DC)	for emitter-follower	2.0	2.5	-	mA
$I_{sink(o)(max)}$	maximum output sink current	DC and AC; see Figure 36	[3] 1.4	1.7	-	mA
$I_{source(o)(max)}$	maximum output source current	DC and AC; see Figure 36	[3] 6.0	-	-	mA
R_O	output resistance	differential; output active	[2] -	-	50	Ω
		output inactive; internal resistance to GND	[2] -	800	-	Ω
$V_{i(IF)(RMS)}$	RMS IF input voltage	minimum input sine wave level for nominal output level	-	70	100	μV
		maximum input sine wave level for nominal output level	130	170	-	mV
		permissible overload	[2] -	-	320	mV
Direct IF; pins OUT2A and OUT2B						
$G_{IF(max)}$	maximum IF gain	output peak-to-peak level to input RMS level ratio	[2] -	83	-	dB
$V_{o(dif)(p-p)}$	peak-to-peak differential output voltage	between pin OUT2A and pin OUT2B	[4]			
		W4[7] = 0	-	1.0	1.1	V
		W4[7] = 1	-	0.50	0.55	V
C/N	carrier-to-noise ratio	at $f_o = 33.4\text{ MHz}$; see Figure 37	[2][5][6]			
		$V_{i(IF)} = 10\text{ mV (RMS)}$	115	124	-	dBc/Hz
		$V_{i(IF)} = 0.5\text{ mV (RMS)}$	90	104	-	dBc/Hz
α_{IM}	intermodulation suppression	input signals: $f_i = 47.0\text{ MHz}$ and 57.5 MHz ; output signals: $f_o = 36.5\text{ MHz}$ or 68.0 MHz ; see Figure 38	[2]			
		W4[7] = 0	40	-	-	dB
		W4[7] = 1	40	-	-	dB

Table 56. Characteristics ...continued

$V_P = 5\text{ V}$; $T_{amb} = 25\text{ }^\circ\text{C}$; 8 MHz system; see [Table 33](#) and [Table 34](#); CW test input signal is used for specification; $V_{i(IF)} = 10\text{ mV (RMS)}$; $f_{IF} = 36\text{ MHz}$ for low IF output of 5 MHz; IF input from $50\text{ }\Omega$ via broadband transformer 1 : 1; gain controlled amplifier adjusted to typical specified output level; measurements taken in test circuit of [Figure 51](#) with 4 MHz crystal oscillator reference; unless otherwise specified.

Symbol	Parameter	Conditions	Min	Typ	Max	Unit
$f_{IF(-1dB)}$	lower -1 dB IF cut-off frequency		[2] -	7	-	MHz
$f_{-3dB(IF)u}$	upper IF cut-off frequency	W4[7] = 0	[4] 60	-	-	MHz
		W4[7] = 1	[7] 60	-	-	MHz
PSRR	power supply ripple rejection	residual spurious at nominal differential output voltage dependent on power supply ripple	[2]			
		$f_{ripple} = 70\text{ Hz}$	-	60	-	dB
		$f_{ripple} = 20\text{ kHz}$	-	60	-	dB
Low IF output signal; pins OUT1A and OUT1B; differential						
$G_{IF(max)}$	maximum IF gain	output peak-to-peak level to input RMS level ratio	[2] -	89	-	dB
f_{synth}	synthesizer frequency	see Table 34 and Table 35	-	-	-	MHz
$V_{o(dif)(p-p)}$	peak-to-peak differential output voltage	W4[7] = 0	[4] -	2	-	V
		W4[7] = 1	[4] -	1	-	V
PSRR	power supply ripple rejection	residual spurious at nominal differential output voltage dependent on power supply ripple	[2]			
		$f_{ripple} = 70\text{ Hz}$	-	50	-	dB
		$f_{ripple} = 20\text{ kHz}$	-	30	-	dB
$\alpha_{ripple(pb)LIF}$	low IF pass-band ripple	6 MHz bandwidth	-	-	2.7	dB
		7 MHz bandwidth	-	-	2.7	dB
		8 MHz bandwidth	-	-	2.7	dB
B_{-3dB}	-3 dB bandwidth	BP off	[4] 11	15	-	MHz
		6 MHz bandwidth	[4] -	7.8	-	MHz
		7 MHz bandwidth	[4] -	8.8	-	MHz
		8 MHz bandwidth	[4] -	9.8	-	MHz
α_{stpb}	stop-band attenuation	6 MHz band; $f = 11.75\text{ MHz}$	30	40	-	dB
		6 MHz band; $f = 20\text{ MHz}$	28	35	-	dB
		7 MHz band; $f = 13.75\text{ MHz}$	30	40	-	dB
		7 MHz band; $f = 20\text{ MHz}$	28	35	-	dB
		8 MHz band; $f = 15.75\text{ MHz}$	30	40	-	dB
		8 MHz band; $f = 20\text{ MHz}$	28	35	-	dB

Table 56. Characteristics ...continued

$V_P = 5\text{ V}$; $T_{amb} = 25\text{ °C}$; 8 MHz system; see [Table 33](#) and [Table 34](#); CW test input signal is used for specification; $V_{i(IF)} = 10\text{ mV (RMS)}$; $f_{IF} = 36\text{ MHz}$ for low IF output of 5 MHz; IF input from $50\text{ }\Omega$ via broadband transformer 1 : 1; gain controlled amplifier adjusted to typical specified output level; measurements taken in test circuit of [Figure 51](#) with 4 MHz crystal oscillator reference; unless otherwise specified.

Symbol	Parameter	Conditions	Min	Typ	Max	Unit
$\Delta t_{d(grp)}$	group delay time variation	from 1 MHz to 2 MHz	[2] -	90	200	ns
		from 2 MHz to end of band with a bandwidth of	[2]			
		6 MHz	-	90	160	ns
		7 MHz	-	90	160	ns
		8 MHz	-	90	160	ns
α_{image}	image rejection	-10 MHz to 0 MHz				
		BP on	30	34	-	dB
		BP off	24	28	-	dB
C/N	carrier-to-noise ratio	at $f_o = 4.9\text{ MHz}$; see Figure 37	[2][5][6]			
		$V_{i(IF)} = 10\text{ mV (RMS)}$	112	118	-	dBc/Hz
		$V_{i(IF)} = 0.5\text{ mV (RMS)}$	90	104	-	dBc/Hz
$\alpha_{H(ib)}$	in-band harmonics suppression	low IF = multiple of 1.31 MHz; $f_i = f_{synth} + 1.31\text{ MHz}$; see Figure 40	[2]			
		$W4[7] = 0$	40	-	-	dB
		$W4[7] = 1$	40	-	-	dB
α_{IM}	intermodulation suppression	input signals: $f_i = f_{synth} + 4.7\text{ MHz}$ and $f_{synth} + 5.3\text{ MHz}$; output signals: $f_o = 4.1\text{ MHz}$ or 5.9 MHz ; see Figure 39	[2]			
		$W4[7] = 0$	40	-	-	dB
		$W4[7] = 1$	40	-	-	dB
$\alpha_{sp(ib)}$	in-band spurious suppression	single-ended AC load; $R_L = 1\text{ k}\Omega$; $C_L = 5\text{ pF}$; 1 MHz to end of band; BP on	[2] 50	-	-	dB
$\alpha_{sp(ob)}$	out-band spurious suppression	single-ended AC load; $R_L = 1\text{ k}\Omega$; $C_L = 5\text{ pF}$; BP on	[2] 50	-	-	dB
IF AGC control; pin AGCDIN						
$I_{sink(i)(max)}$	maximum input sink current		[2] -	-	2	μA
$V_{i(max)}$	maximum input voltage		[2] -	-	V_P	V
V_{AGCDIN}	voltage on pin AGCDIN		[2] 0	-	3	V
$\Delta G_{IF}/\Delta V_{AGCDIN}$	change of IF gain with voltage on pin AGCDIN	$V_{AGCDIN} = 0.8\text{ V to }2.2\text{ V}$	-	-45	-	dB/V

Table 56. Characteristics ...continued

$V_P = 5\text{ V}$; $T_{amb} = 25\text{ }^\circ\text{C}$; 8 MHz system; see [Table 33](#) and [Table 34](#); CW test input signal is used for specification; $V_{i(IF)} = 10\text{ mV (RMS)}$; $f_{IF} = 36\text{ MHz}$ for low IF output of 5 MHz; IF input from $50\ \Omega$ via broadband transformer 1 : 1; gain controlled amplifier adjusted to typical specified output level; measurements taken in test circuit of [Figure 51](#) with 4 MHz crystal oscillator reference; unless otherwise specified.

Symbol	Parameter	Conditions	Min	Typ	Max	Unit
Tuner AGC; pin TAGC						
TAGC integral loop mode (W6[7:6] = 10); TAGC is current output; unmodulated IF; see Table 44 and Figure 13						
$V_{i(IF)(RMS)}$	RMS IF input voltage	at starting point of tuner AGC takeover;				
		$I_{sink(TAGC)} = 100\ \mu\text{A}$				
		W9[4:0] = 0 0000	-	59.6	-	dB μV
		W9[4:0] = 1 0000	-	78.3	-	dB μV
		W9[4:0] = 1 1111	-	98.5	-	dB μV
$\alpha_{acc(set)TOP}$	TOP setting accuracy		-2	-	+2	dB
I_{source}	source current	TAGC charge current				
		normal mode; W9[5] = 0	0.20	0.33	0.45	μA
		normal mode; W9[5] = 1	1.6	2.5	3.4	μA
		fast mode activated by internal level detector; W9[5] = 0	7	11	15	μA
		fast mode activated by internal level detector; W9[5] = 1	60	90	120	μA
I_{sink}	sink current	TAGC discharge current; $V_{TAGC} = 1\text{ V}$	375	500	625	μA
$\Delta\alpha_{acc(set)TOP}/\Delta T$	TOP setting accuracy variation with temperature	$I_{sink(TAGC)} = 100\ \mu\text{A}$; W9[4:0] = 1 0000	[2] -	0.006	0.02	dB/K
R_L	load resistance		[2] 50	-	-	M Ω
$V_{sat(u)}$	upper saturation voltage	pin operating as current output	[2] $V_P - 0.3$	-	-	V
$V_{sat(l)}$	lower saturation voltage	pin operating as current output	[2] -	-	0.3	V
$\alpha_{th(fast)AGC}$	AGC fast mode threshold	activated by internal fast AGC detector; I ² C-bus setting corresponds to W9[4:0] = 1 0000	[2] 6	8	10	dB
t_d	delay time	before activating; $V_{i(IF)}$ below $\alpha_{th(fast)AGC}$	[2] 40	60	80	ms
Filter synthesizer PLL; pin LFSYN1						
V_{LFSYN1}	voltage on pin LFSYN1		1.0	-	3.5	V
K_O	VCO steepness	$\Delta f_{VCO} / \Delta V_{LFSYN1}$	-	3.75	-	MHz/V
K_D	phase detector steepness	$\Delta I_{LFSYN1} / \Delta \phi_{VCO}$	-	9	-	$\mu\text{A}/\text{rad}$
$I_{sink(o)PD(max)}$	maximum phase detector output sink current		-	-	65	μA

Table 56. Characteristics ...continued

$V_P = 5\text{ V}$; $T_{amb} = 25\text{ }^\circ\text{C}$; 8 MHz system; see [Table 33](#) and [Table 34](#); CW test input signal is used for specification; $V_{i(IF)} = 10\text{ mV (RMS)}$; $f_{IF} = 36\text{ MHz}$ for low IF output of 5 MHz; IF input from $50\text{ }\Omega$ via broadband transformer 1 : 1; gain controlled amplifier adjusted to typical specified output level; measurements taken in test circuit of [Figure 51](#) with 4 MHz crystal oscillator reference; unless otherwise specified.

Symbol	Parameter	Conditions	Min	Typ	Max	Unit	
$I_{\text{source(o)PD(max)}}$	maximum phase detector output source current		-	-	65	μA	
Conversion synthesizer PLL; pin LFSYN2							
V_{LFSYN2}	voltage on pin LFSYN2		1	-	3	V	
K_O	VCO steepness	$\Delta f_{\text{VCO}} / \Delta V_{\text{LFSYN2}}$	-	31	-	MHz/V	
K_D	phase detector steepness	$\Delta I_{\text{LFSYN2}} / \Delta \phi_{\text{VCO}}$; see Table 57 ; f_{VCO} selection:					
		22 MHz to 29.5 MHz	-	32	-	$\mu\text{A/rad}$	
		30 MHz to 37.5 MHz	-	38	-	$\mu\text{A/rad}$	
		38 MHz to 45.5 MHz	-	47	-	$\mu\text{A/rad}$	
		46 MHz to 53.5 MHz	-	61	-	$\mu\text{A/rad}$	
		57 MHz	-	61	-	$\mu\text{A/rad}$	
$I_{\text{o(PD)}}$	phase detector output current	f_{VCO} selection:					
		22 MHz to 29.5 MHz	-	200	-	μA	
		30 MHz to 37.5 MHz	-	238	-	μA	
		38 MHz to 45.5 MHz	-	294	-	μA	
		46 MHz to 53.5 MHz	-	384	-	μA	
		57 MHz	-	384	-	μA	
$\varphi_{\text{n(synth)}}$	synthesizer phase noise	$f_{\text{synth}} = 31\text{ MHz}$; $f_{\text{IF}} = 36\text{ MHz}$					
		at 1 kHz	[2] 89	99	-	dBc/Hz	
		at 10 kHz	[2] 89	99	-	dBc/Hz	
		at 100 kHz	[2] 98	102	-	dBc/Hz	
		at 1.4 MHz	[2] 115	119	-	dBc/Hz	
		$f_{\text{synth}} = 40\text{ MHz}$; $f_{\text{IF}} = 44\text{ MHz}$; external 4 MHz reference signal of 265 mV (RMS) and phase noise better than 120 dBc/Hz; see Figure 46					
		at 1 kHz	[2] 89	96	-	dBc/Hz	
		at 10 kHz	[2] 89	100	-	dBc/Hz	
		at 100 kHz	[2] 96	100	-	dBc/Hz	
		at 1.4 MHz	[2] 115	118	-	dBc/Hz	
α_{sp}	spurious suppression	multiple of $\Delta f = 500\text{ kHz}$	[2] 50	-	-	dBc	
I_L	leakage current	synthesizer spurious performance > 50 dBc	[2] -	-	10	nA	

Table 56. Characteristics ...continued

$V_P = 5\text{ V}$; $T_{amb} = 25\text{ °C}$; 8 MHz system; see [Table 33](#) and [Table 34](#); CW test input signal is used for specification; $V_{i(IF)} = 10\text{ mV (RMS)}$; $f_{IF} = 36\text{ MHz}$ for low IF output of 5 MHz; IF input from $50\text{ }\Omega$ via broadband transformer 1 : 1; gain controlled amplifier adjusted to typical specified output level; measurements taken in test circuit of [Figure 51](#) with 4 MHz crystal oscillator reference; unless otherwise specified.

Symbol	Parameter	Conditions	Min	Typ	Max	Unit
Reference frequency						
General						
f_{ref}	reference frequency		[8] -	4	-	MHz
Reference frequency generation with crystal; pin OPTXTAL						
$V_{OPTXTAL}$	voltage on pin OPTXTAL (DC)	pin open-circuit	2.3	2.6	2.9	V
R_i	input resistance		[2] -	2	-	k Ω
$R_{rsn(xtal)}$	crystal resonance resistance		-	-	200	Ω
C_{pull}	pull capacitance		[9] -	-	-	pF
$R_{swoff(OPTXTAL)}$	switch-off resistance on pin OPTXTAL	to switch off crystal input by external resistor wired between pin OPTXTAL and GND	0.22	-	4.7	k Ω
I_{swoff}	switch-off current	$R_{swoff(OPTXTAL)} = 0.22\text{ k}\Omega$	-	-	5000	μA
		$R_{swoff(OPTXTAL)} = 3.3\text{ k}\Omega$	-	500	-	μA
Reference frequency input from external source; pin OPTXTAL						
$V_{OPTXTAL}$	voltage on pin OPTXTAL (DC)	pin open-circuit	2.3	2.6	2.9	V
R_i	input resistance		[2] -	2	-	k Ω
$V_{ref(RMS)}$	RMS reference voltage		80	-	400	mV
R_O	output resistance	of external reference signal source	[2] -	2	4.7	k Ω
C_{dec}	decoupling capacitance	to external reference signal source	[2] 22	100	-	pF
Reference frequency input from external source; pin FREF						
V_{FREF}	voltage on pin FREF (DC)	pin open-circuit	2.2	2.5	2.8	V
R_i	input resistance		[2] 50	-	-	k Ω
f_{ref}	reference frequency		[8] -	4	-	MHz
$V_{ref(RMS)}$	RMS reference voltage	see Figure 46	15	150	500	mV
R_O	output resistance	of external reference signal source; AC-coupled	-	-	4.7	k Ω
C_{dec}	decoupling capacitance	to external reference signal source	22	100	-	pF

Table 56. Characteristics ...continued

$V_P = 5\text{ V}$ ^[1]; $T_{amb} = 25\text{ }^\circ\text{C}$; 8 MHz system; see [Table 33](#) and [Table 34](#); CW test input signal is used for specification; $V_{i(IF)} = 10\text{ mV (RMS)}$; $f_{IF} = 36\text{ MHz}$ for low IF output of 5 MHz; IF input from $50\text{ }\Omega$ via broadband transformer 1 : 1; gain controlled amplifier adjusted to typical specified output level; measurements taken in test circuit of [Figure 51](#) with 4 MHz crystal oscillator reference; unless otherwise specified.

Symbol	Parameter	Conditions	Min	Typ	Max	Unit
$R_{\text{swoff(FREF)}}$	switch-off resistance on pin FREF	to switch off reference signal input by external resistor wired between pin FREF and GND	3.9	-	27	k Ω
I_{swoff}	switch-off current	$R_{\text{swoff(FREF)}} = 3.9\text{ k}\Omega$	-	-	100	μA
		$R_{\text{swoff(FREF)}} = 22\text{ k}\Omega$	-	25	-	μA

- [1] Some parameters can be decreased at $V_P = 4.5\text{ V}$.
- [2] This parameter is not tested during production and is only given as application information.
- [3] Output current can be increased by application of single-ended resistor from each output pin to GND. Recommended resistor value is minimum 1 k Ω .
- [4] With single-ended load for $f_{IF} < 45\text{ MHz}$ $R_L \geq 1\text{ k}\Omega$ and $C_L \leq 5\text{ pF}$ to ground and for $f_{IF} = 45\text{ MHz}$ to 60 MHz $R_L = 1\text{ k}\Omega$ and $C_L \leq 3\text{ pF}$ to ground.
- [5] Noise level is measured without input signal but AGC adjusted corresponding to the given input level.
- [6] Set with AGC nominal output voltage as reference. For C/N measurement switch input signal off.
- [7] With single-ended load $R_L \geq 1\text{ k}\Omega$ and $C_L \leq 5\text{ pF}$ to ground.
- [8] The tolerance of the reference frequency determines the accuracy of VIF AFC, RIF AFC, FM demodulator center frequency, maximum FM deviation, sound trap frequency, LIF band-pass cut-off frequency, as well as the accuracy of the synthesizer.
- [9] The value of C_{pull} determines the accuracy of the resonance frequency of the crystal. It depends on the used type of crystal.

Table 57. Conversion synthesizer PLL; loop filter dimensions^[1]

f_{VCO} (MHz)	$R_{\text{LF SYN2}}$ (k Ω) ^[2]	$C_{\text{LF SYN2}}$ (nF)
22 to 29.5	1.5	4.7
30 to 37.5	1.8	4.7
38 to 45.5	2.2	4.7
46 to 53.5	2.7	4.7
57	3.3	4.7

- [1] Calculation of the PLL loop filter by using the following formulae:

$$B_{\text{LF}(-3\text{dB})} = \frac{K_O}{N} K_D R_{\text{LF SYN2}}, \text{ valid for } d \geq 1.2$$

$$d = \frac{I}{2} R_{\text{LF SYN2}} \sqrt{2\pi \frac{K_O}{N} K_D C_{\text{LF SYN2}}}$$

with the following parameters:

$K_O = \text{VCO steepness (Hz/V)}$,

$N = \text{divider ratio: } N = \frac{f_{\text{VCO}}}{0.5\text{ MHz}}$,

$K_D = \text{phase detector steepness (A/rad)}$,

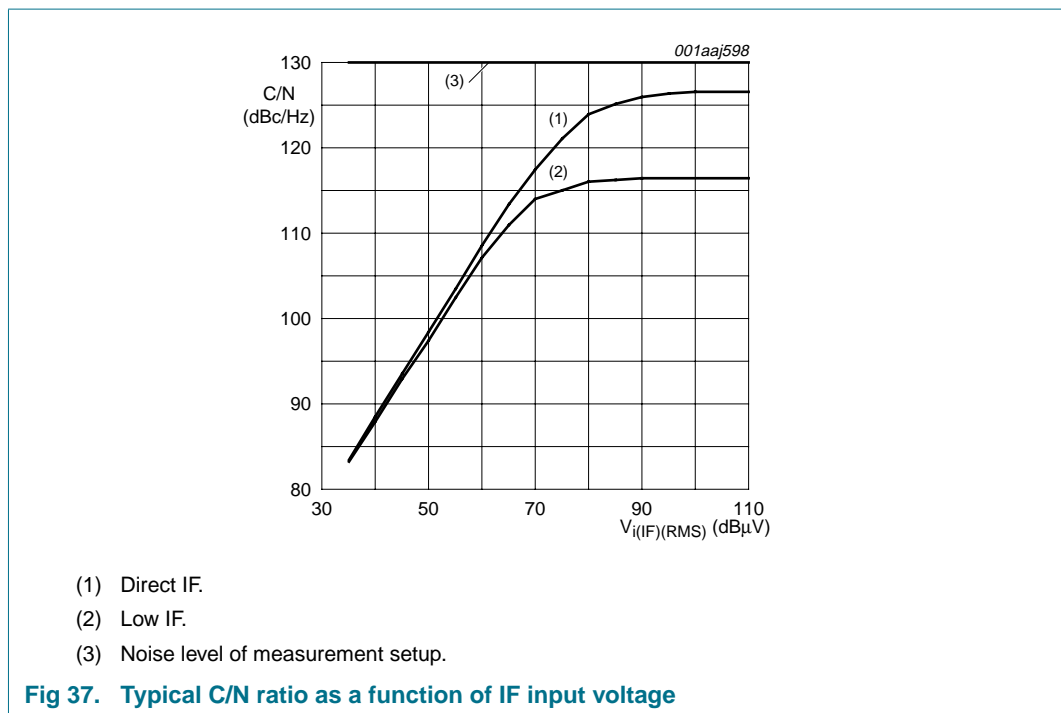
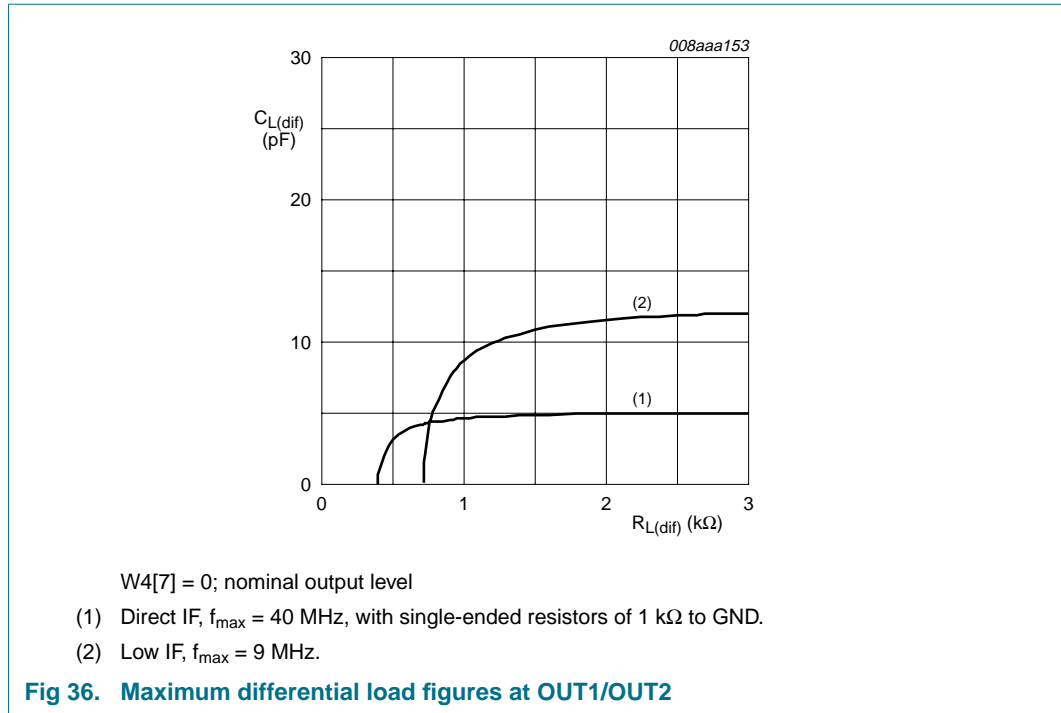
$R_{\text{LF SYN2}} = \text{synthesizer loop filter serial resistor } (\Omega)$,

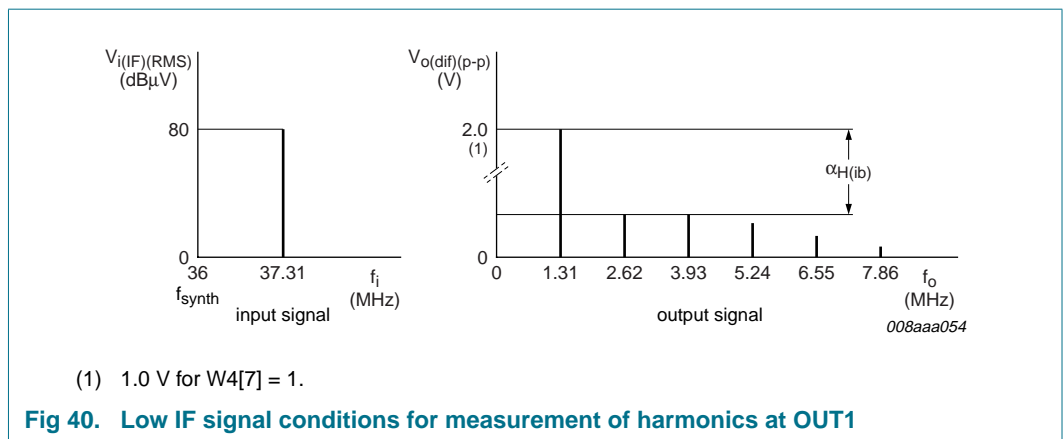
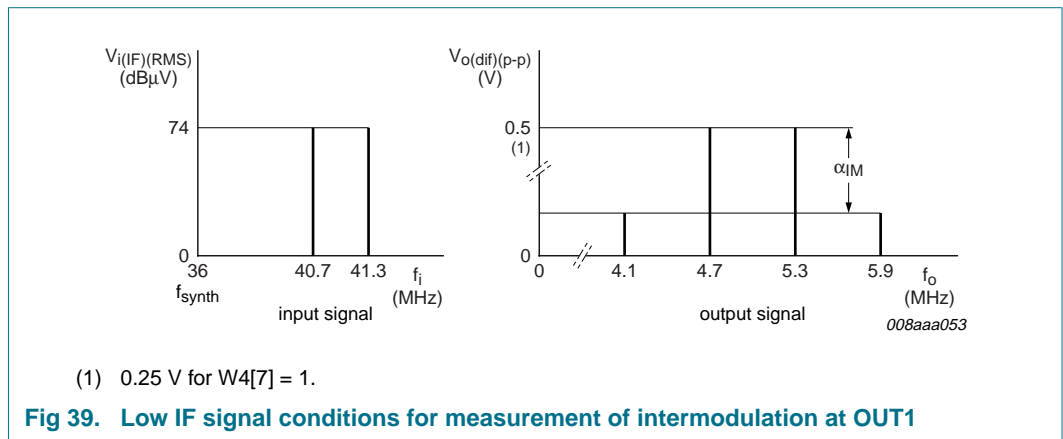
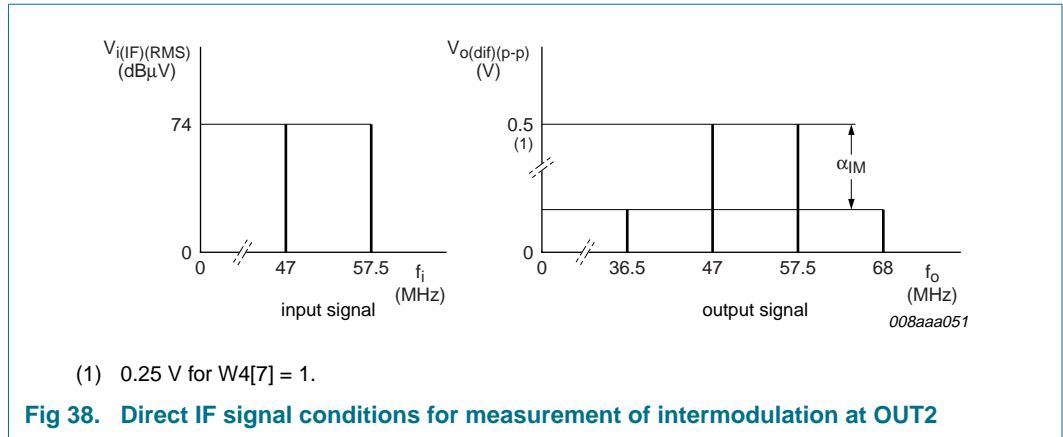
$C_{\text{LF SYN2}} = \text{synthesizer loop filter serial capacitor (F)}$,

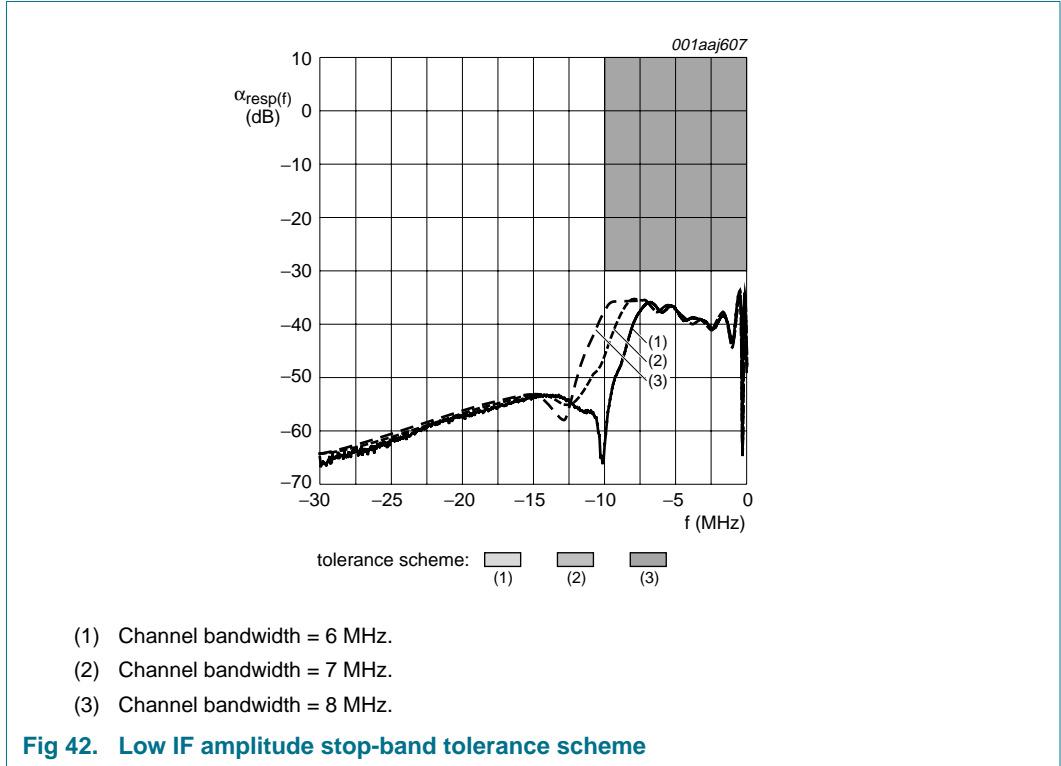
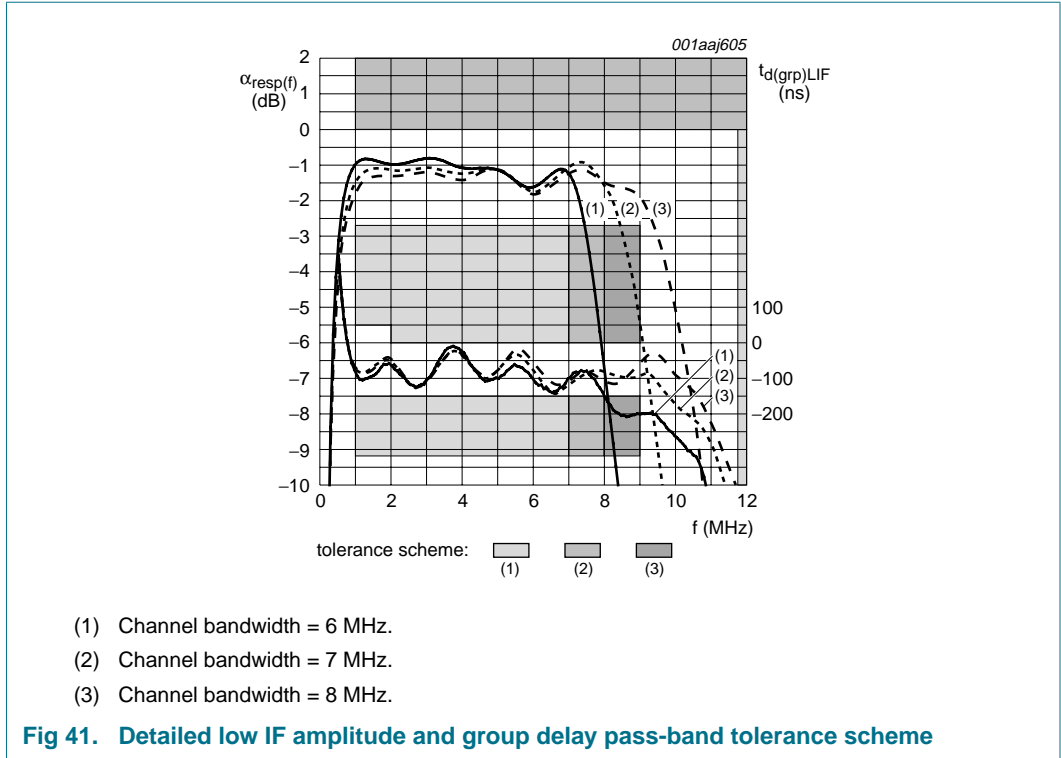
$B_{\text{LF}(-3\text{dB})} = -3\text{ dB LF bandwidth (Hz)}$,

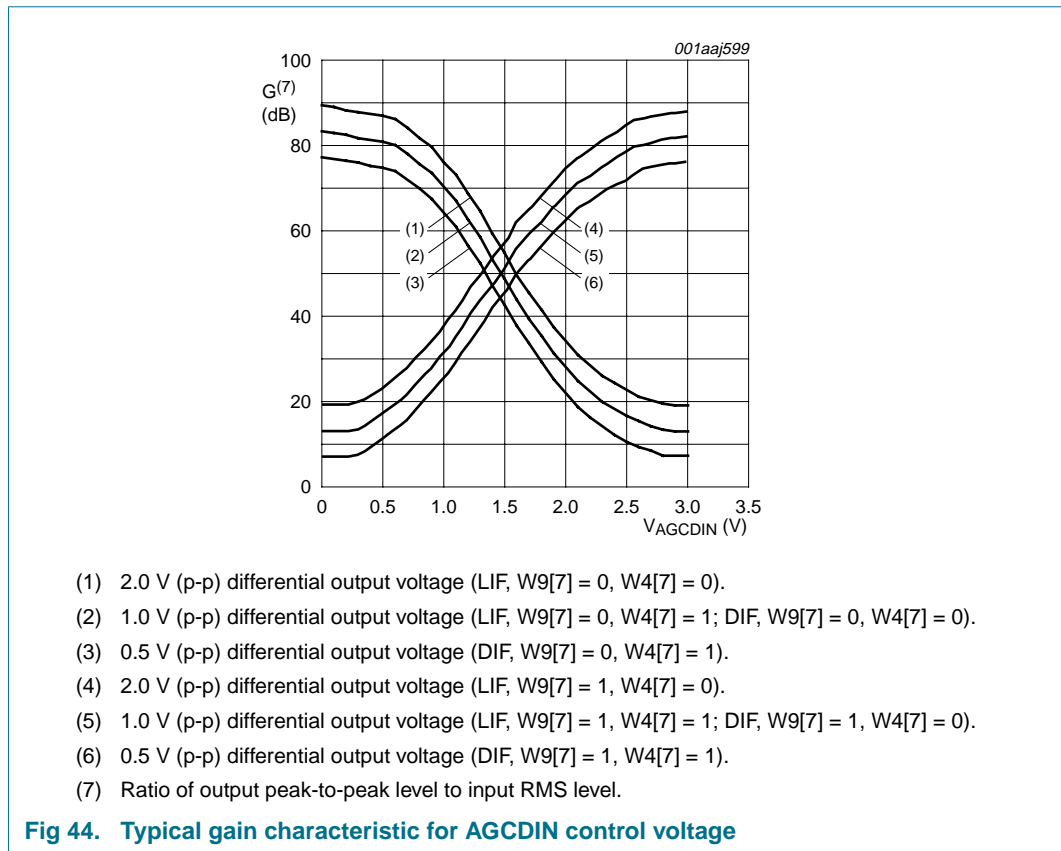
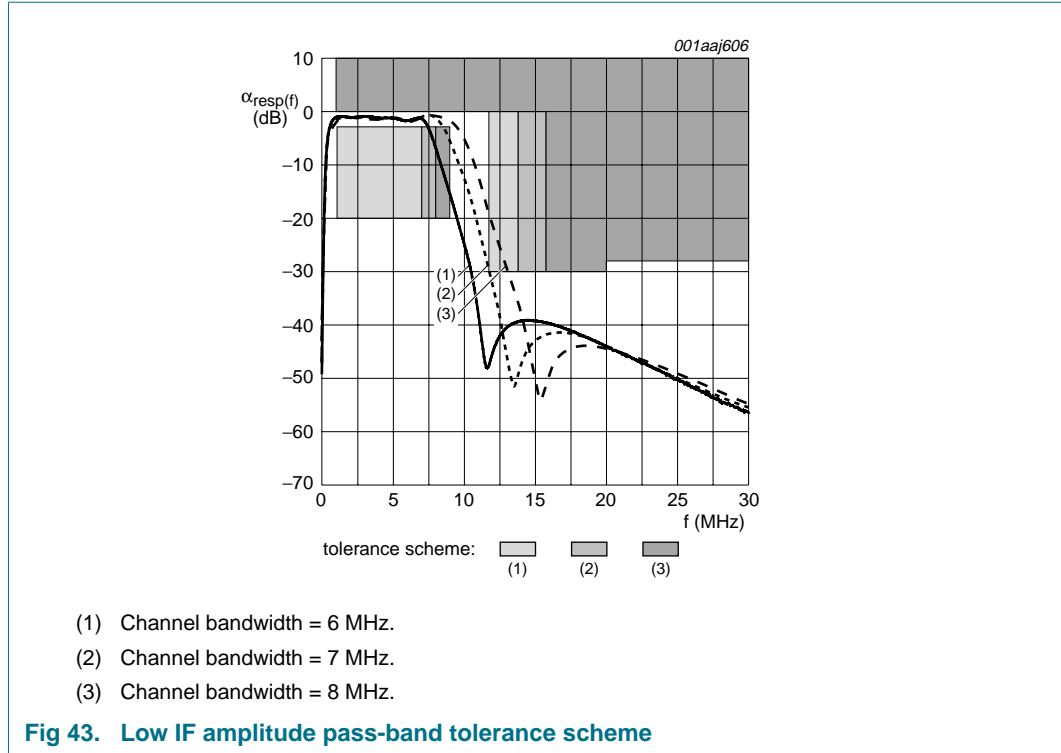
$d = \text{damping factor}$.

- [2] If more than one frequency range is used in the application, then the smallest resistor value should be applied.









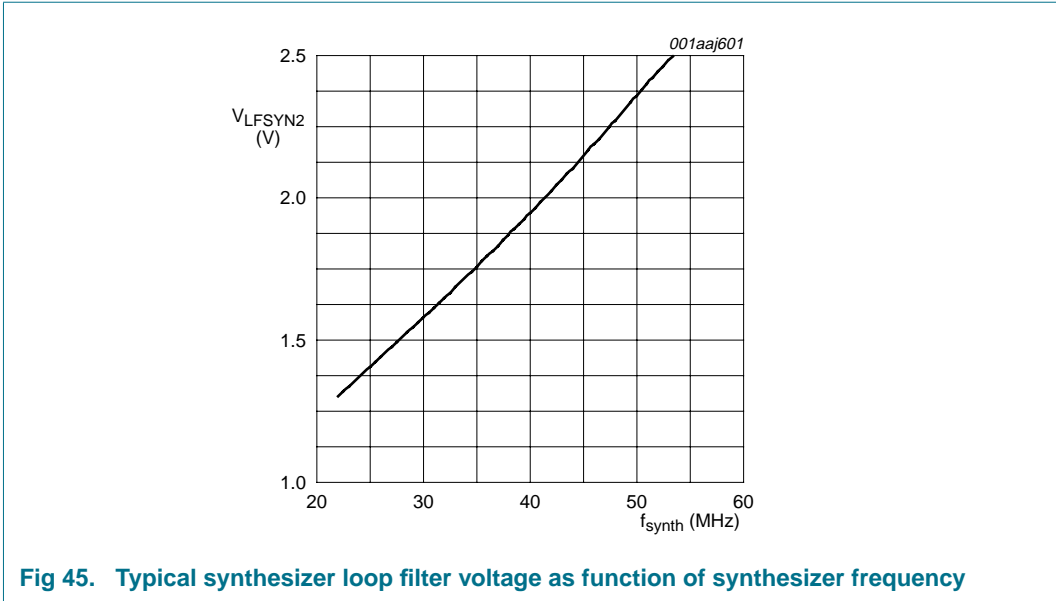


Fig 45. Typical synthesizer loop filter voltage as function of synthesizer frequency

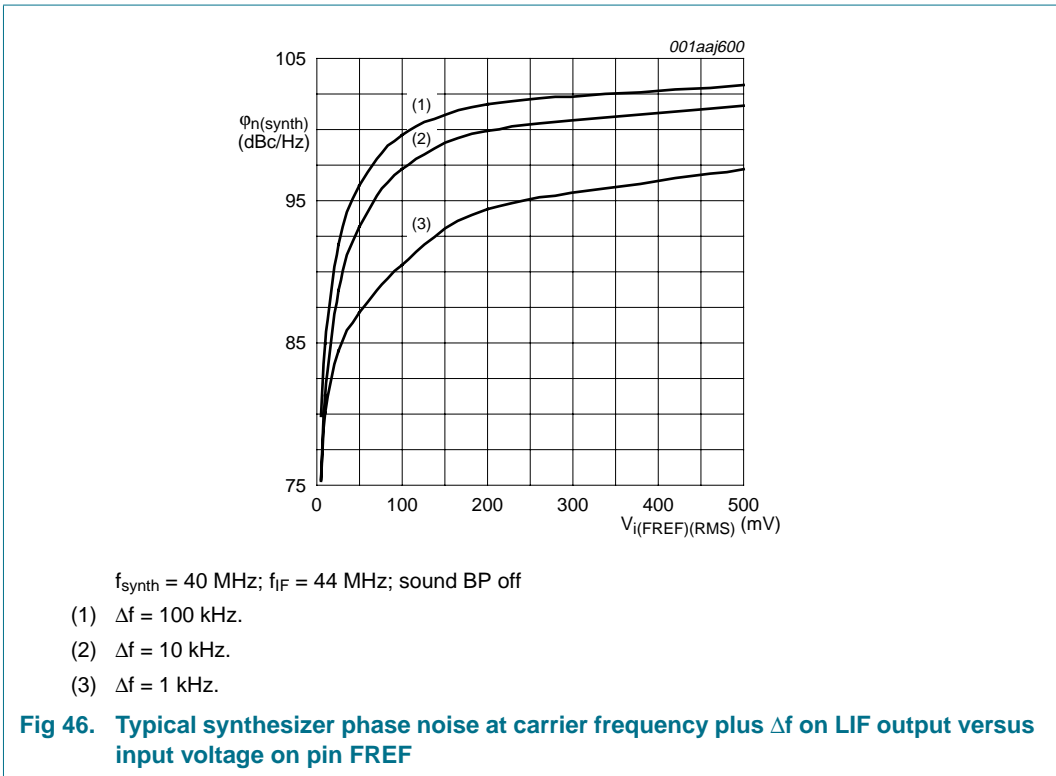
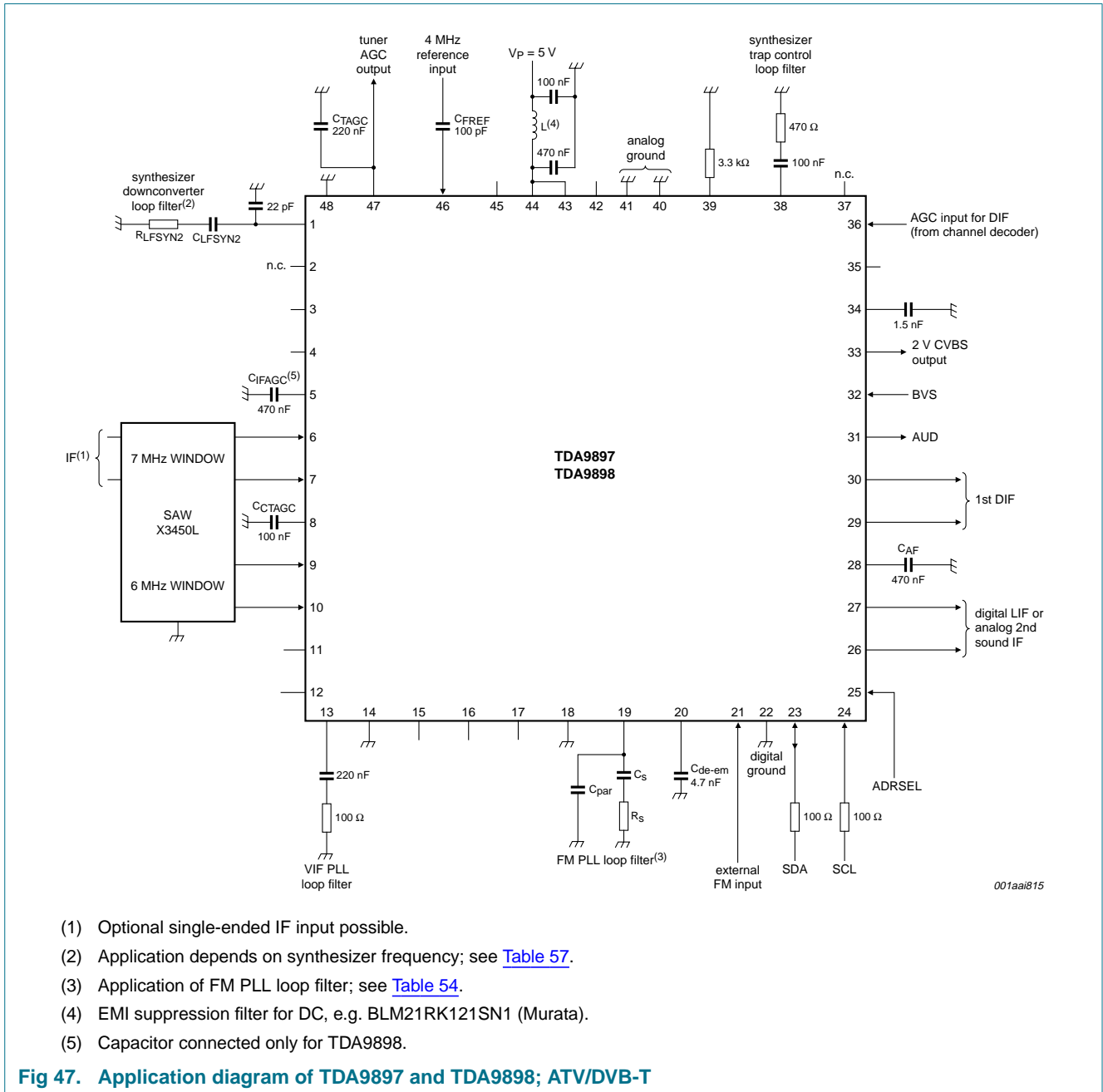
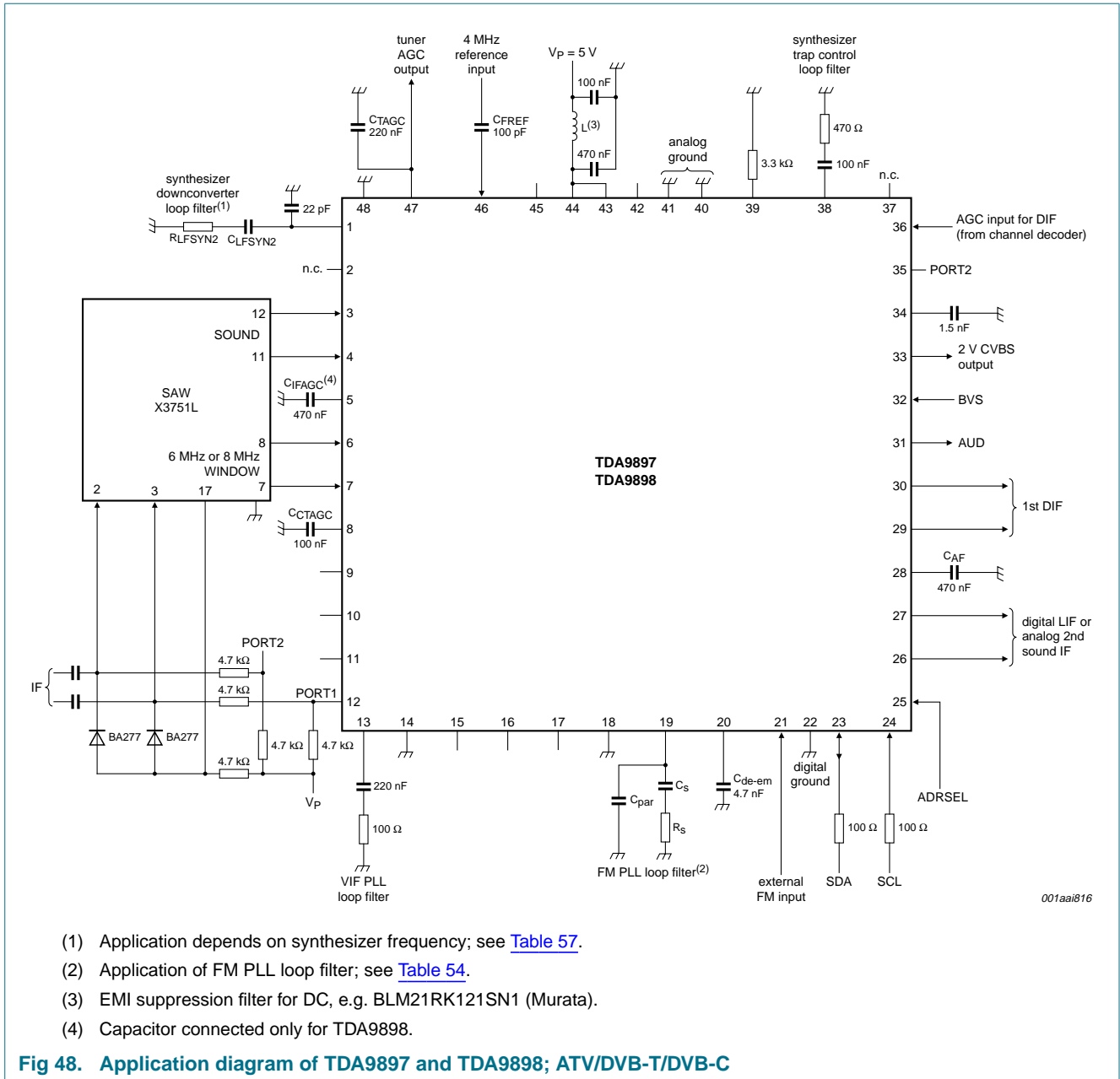


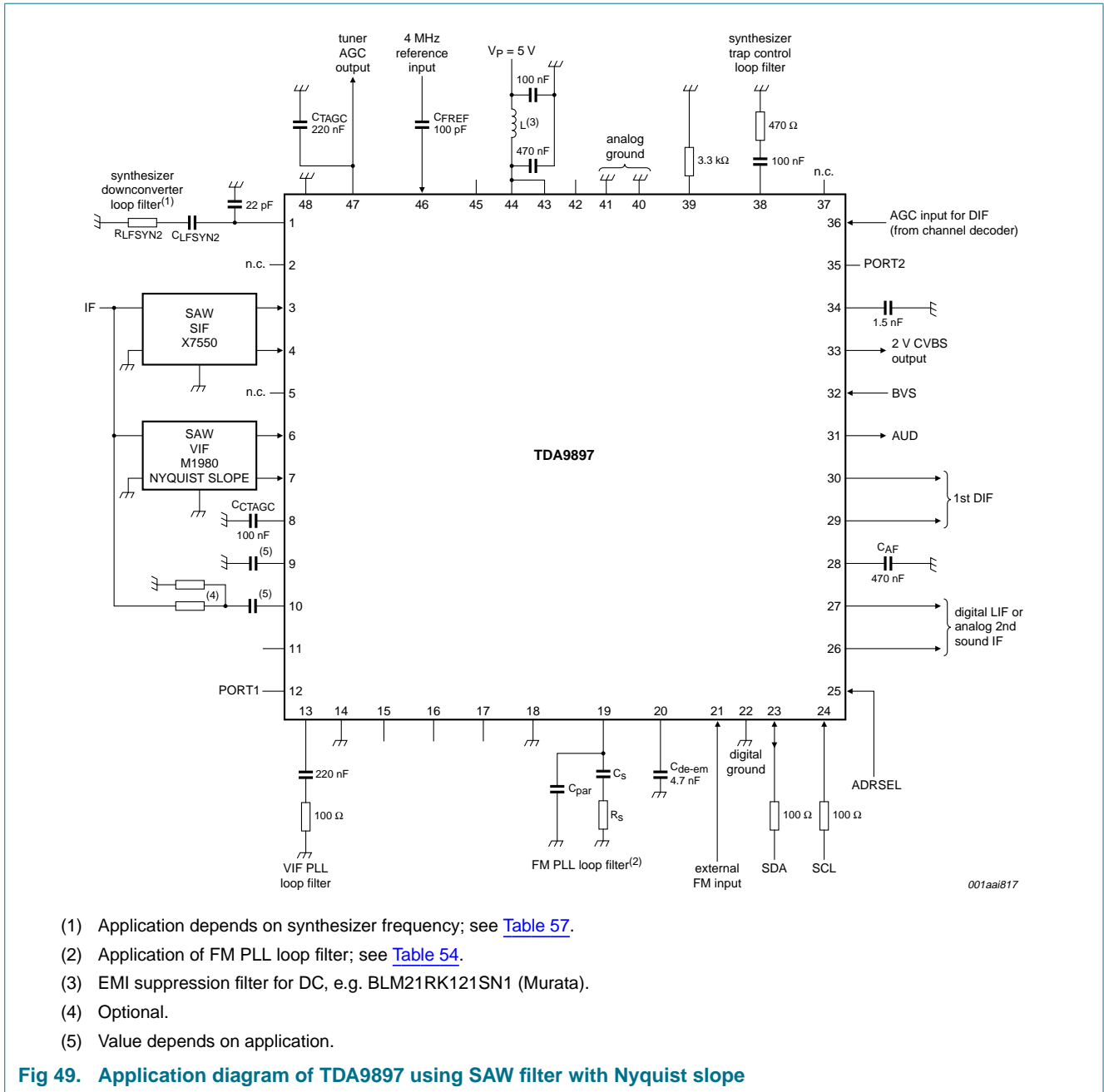
Fig 46. Typical synthesizer phase noise at carrier frequency plus Δf on LIF output versus input voltage on pin FREF

13. Application information

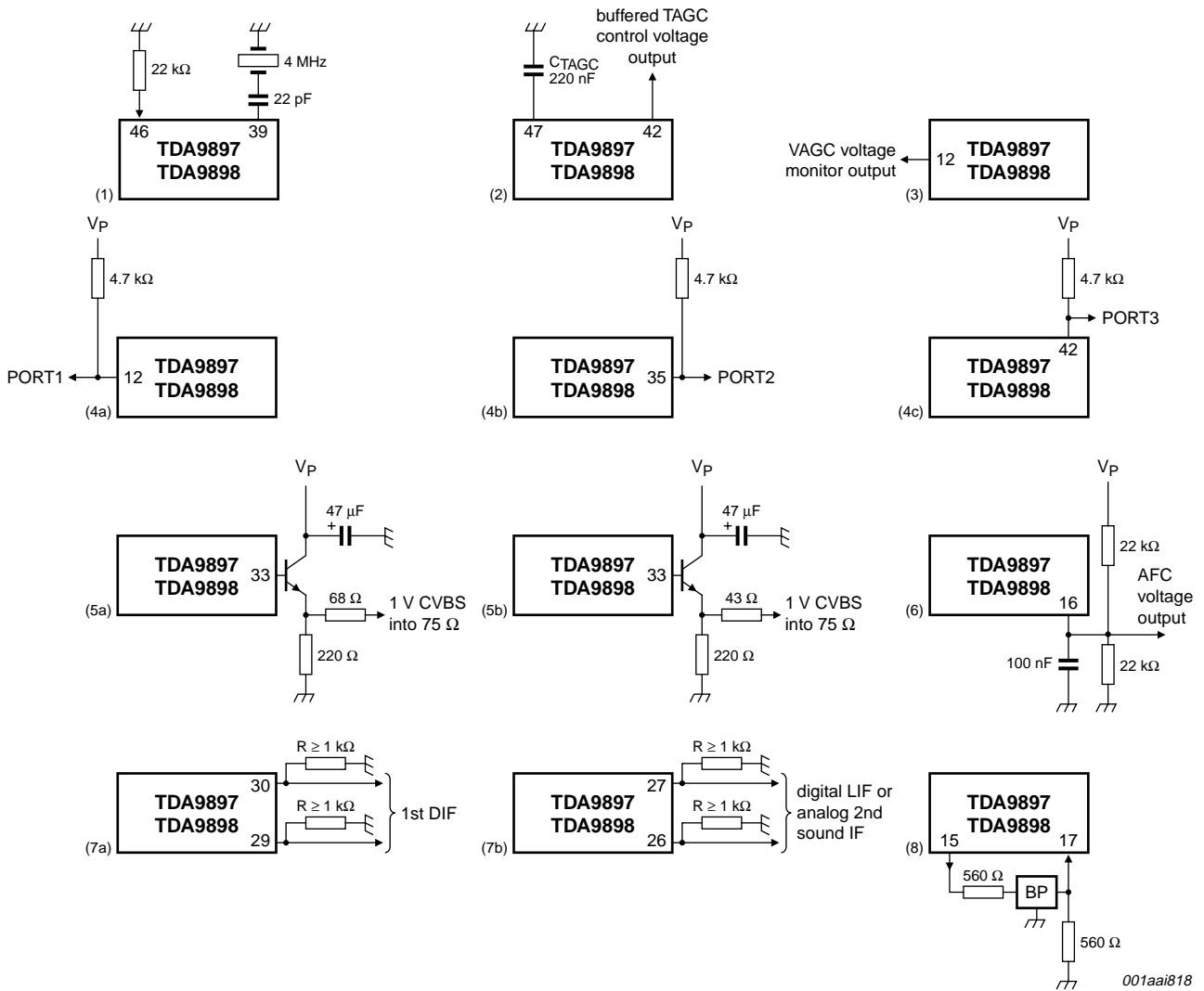


- (1) Optional single-ended IF input possible.
- (2) Application depends on synthesizer frequency; see [Table 57](#).
- (3) Application of FM PLL loop filter; see [Table 54](#).
- (4) EMI suppression filter for DC, e.g. BLM21RK121SN1 (Murata).
- (5) Capacitor connected only for TDA9898.





- (1) Application depends on synthesizer frequency; see [Table 57](#).
- (2) Application of FM PLL loop filter; see [Table 54](#).
- (3) EMI suppression filter for DC, e.g. BLM21RK121SN1 (Murata).
- (4) Optional.
- (5) Value depends on application.

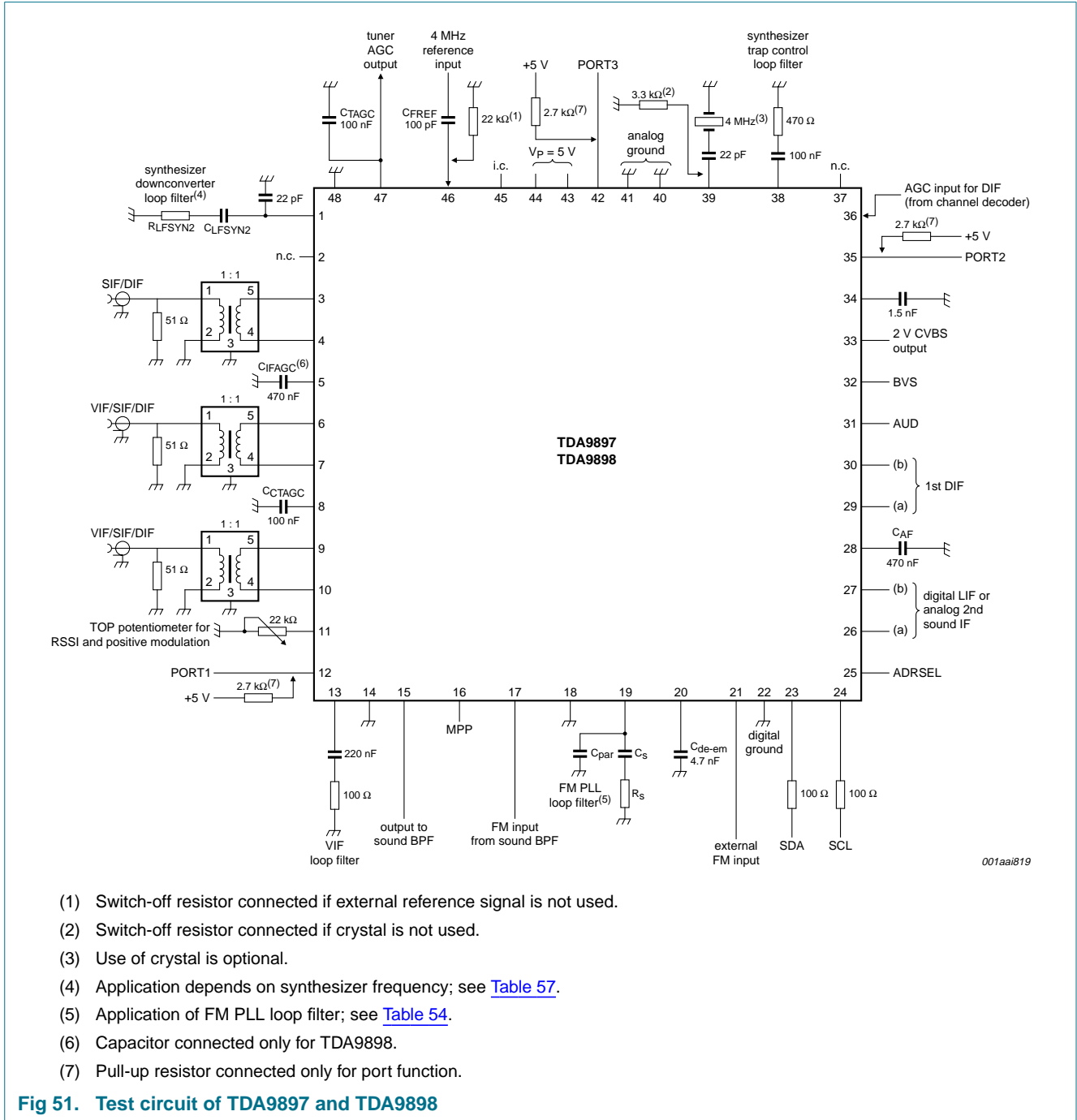


001aai818

- (1) Optional 4 MHz quartz crystal oscillator.
- (2) Alternative buffered TAGC voltage output.
- (3) Alternative VIF AGC voltage monitor output.
- (4) Optional use of (a) PORT1, (b) PORT2 or (c) PORT3.
- (5) Optional CVBS buffer at setting (a) W6[1] = 0, 2 V CVBS or (b) W6[1] = 1, 1.7 V CVBS.
- (6) Optional analog AFC voltage output.
- (7) Optional output current increase at output (a) 1st DIF respectively (b) digital LIF.
- (8) Optional radio application with external BP.

Fig 50. Optional applications

14. Test information



- (1) Switch-off resistor connected if external reference signal is not used.
- (2) Switch-off resistor connected if crystal is not used.
- (3) Use of crystal is optional.
- (4) Application depends on synthesizer frequency; see [Table 57](#).
- (5) Application of FM PLL loop filter; see [Table 54](#).
- (6) Capacitor connected only for TDA9898.
- (7) Pull-up resistor connected only for port function.

Fig 51. Test circuit of TDA9897 and TDA9898

15. Package outline

LQFP48: plastic low profile quad flat package; 48 leads; body 7 x 7 x 1.4 mm

SOT313-2

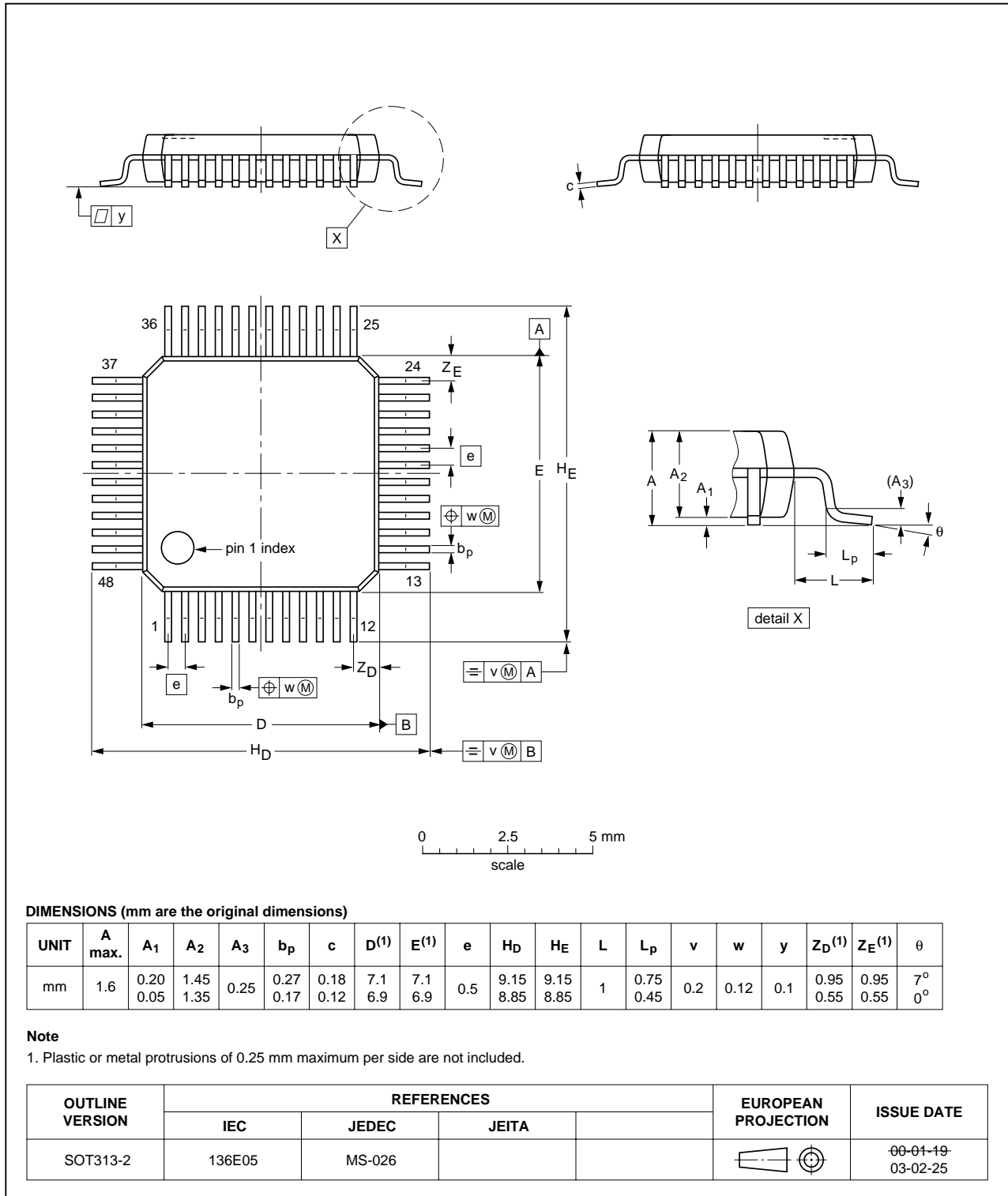


Fig 52. Package outline SOT313-2 (LQFP48)

HVQFN48: plastic thermal enhanced very thin quad flat package; no leads; 48 terminals; body 7 x 7 x 0.85 mm

SOT619-1

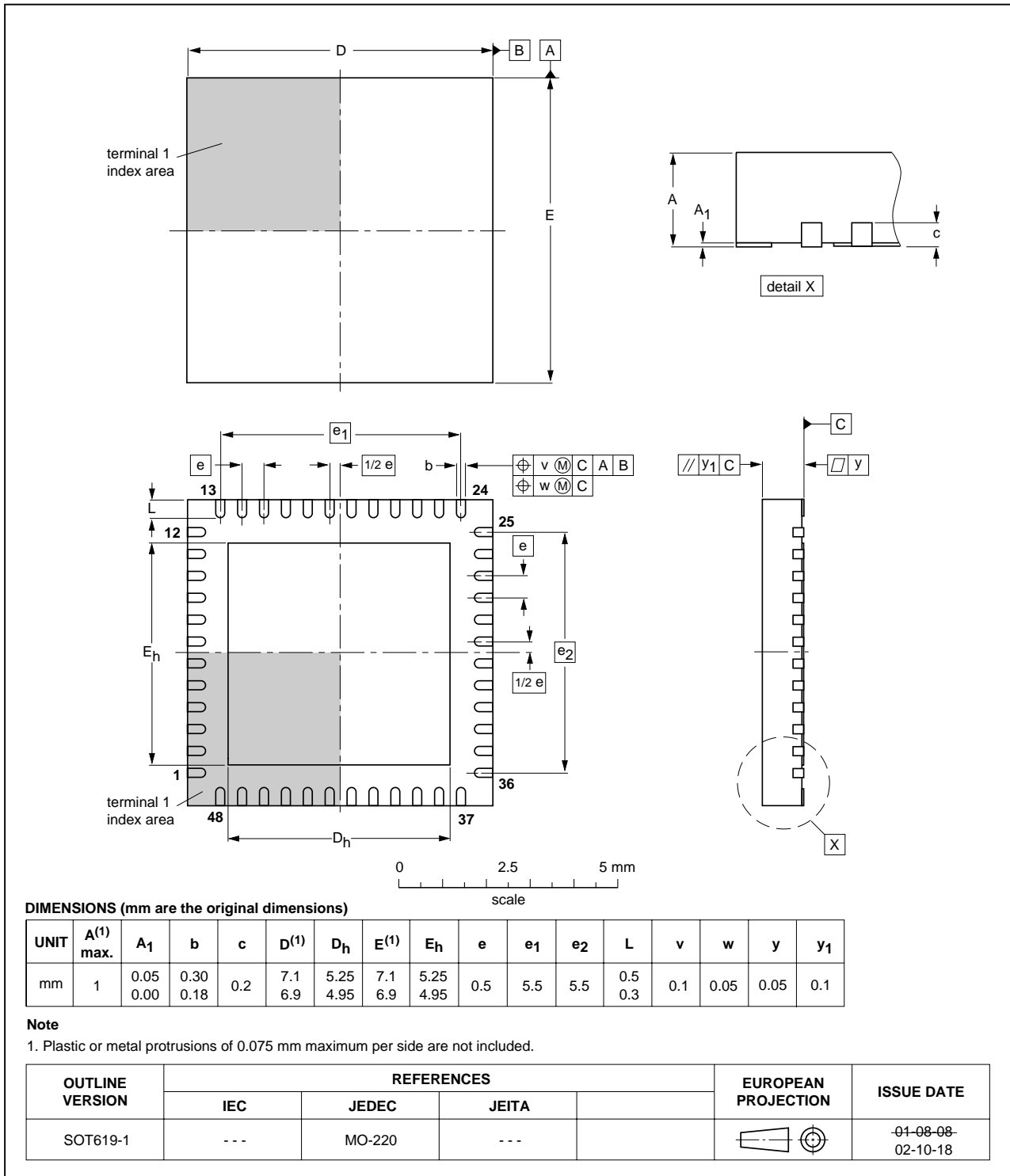


Fig 53. Package outline SOT619-1 (HVQFN48)

16. Soldering of SMD packages

This text provides a very brief insight into a complex technology. A more in-depth account of soldering ICs can be found in Application Note *AN10365 "Surface mount reflow soldering description"*.

16.1 Introduction to soldering

Soldering is one of the most common methods through which packages are attached to Printed Circuit Boards (PCBs), to form electrical circuits. The soldered joint provides both the mechanical and the electrical connection. There is no single soldering method that is ideal for all IC packages. Wave soldering is often preferred when through-hole and Surface Mount Devices (SMDs) are mixed on one printed wiring board; however, it is not suitable for fine pitch SMDs. Reflow soldering is ideal for the small pitches and high densities that come with increased miniaturization.

16.2 Wave and reflow soldering

Wave soldering is a joining technology in which the joints are made by solder coming from a standing wave of liquid solder. The wave soldering process is suitable for the following:

- Through-hole components
- Leaded or leadless SMDs, which are glued to the surface of the printed circuit board

Not all SMDs can be wave soldered. Packages with solder balls, and some leadless packages which have solder lands underneath the body, cannot be wave soldered. Also, leaded SMDs with leads having a pitch smaller than ~0.6 mm cannot be wave soldered, due to an increased probability of bridging.

The reflow soldering process involves applying solder paste to a board, followed by component placement and exposure to a temperature profile. Leaded packages, packages with solder balls, and leadless packages are all reflow solderable.

Key characteristics in both wave and reflow soldering are:

- Board specifications, including the board finish, solder masks and vias
- Package footprints, including solder thieves and orientation
- The moisture sensitivity level of the packages
- Package placement
- Inspection and repair
- Lead-free soldering versus SnPb soldering

16.3 Wave soldering

Key characteristics in wave soldering are:

- Process issues, such as application of adhesive and flux, clinching of leads, board transport, the solder wave parameters, and the time during which components are exposed to the wave
- Solder bath specifications, including temperature and impurities

16.4 Reflow soldering

Key characteristics in reflow soldering are:

- Lead-free versus SnPb soldering; note that a lead-free reflow process usually leads to higher minimum peak temperatures (see [Figure 54](#)) than a SnPb process, thus reducing the process window
- Solder paste printing issues including smearing, release, and adjusting the process window for a mix of large and small components on one board
- Reflow temperature profile; this profile includes preheat, reflow (in which the board is heated to the peak temperature) and cooling down. It is imperative that the peak temperature is high enough for the solder to make reliable solder joints (a solder paste characteristic). In addition, the peak temperature must be low enough that the packages and/or boards are not damaged. The peak temperature of the package depends on package thickness and volume and is classified in accordance with [Table 58](#) and [59](#)

Table 58. SnPb eutectic process (from J-STD-020C)

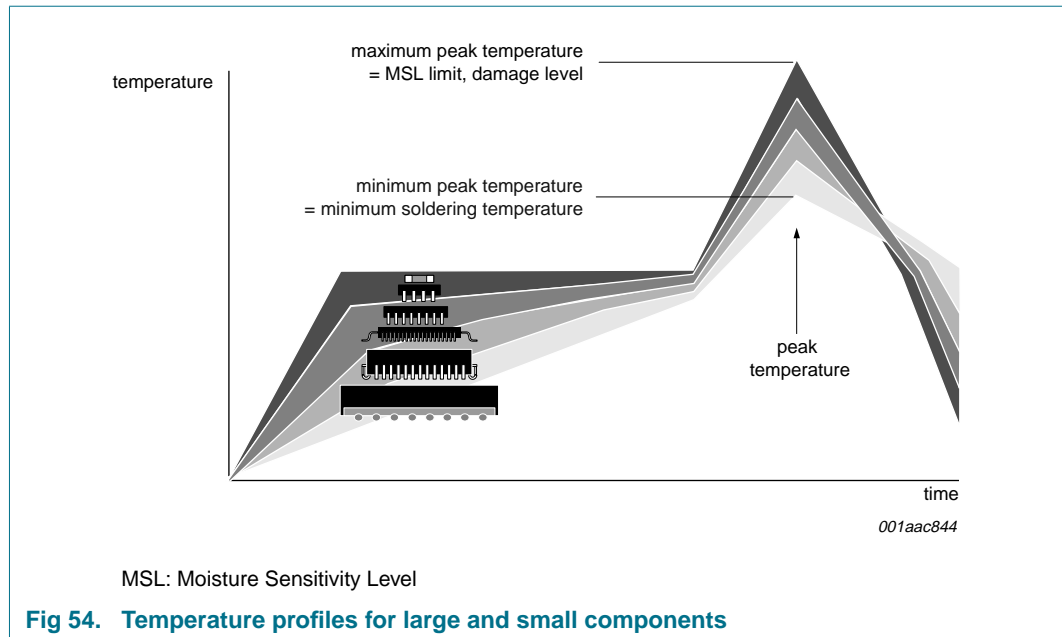
Package thickness (mm)	Package reflow temperature (°C)	
	Volume (mm ³)	
	< 350	≥ 350
< 2.5	235	220
≥ 2.5	220	220

Table 59. Lead-free process (from J-STD-020C)

Package thickness (mm)	Package reflow temperature (°C)		
	Volume (mm ³)		
	< 350	350 to 2000	> 2000
< 1.6	260	260	260
1.6 to 2.5	260	250	245
> 2.5	250	245	245

Moisture sensitivity precautions, as indicated on the packing, must be respected at all times.

Studies have shown that small packages reach higher temperatures during reflow soldering, see [Figure 54](#).



For further information on temperature profiles, refer to Application Note *AN10365* "Surface mount reflow soldering description".

17. Soldering of through-hole mount packages

17.1 Introduction to soldering through-hole mount packages

This text gives a very brief insight into wave, dip and manual soldering.

Wave soldering is the preferred method for mounting of through-hole mount IC packages on a printed-circuit board.

17.2 Soldering by dipping or by solder wave

Driven by legislation and environmental forces the worldwide use of lead-free solder pastes is increasing. Typical dwell time of the leads in the wave ranges from 3 seconds to 4 seconds at 250 °C or 265 °C, depending on solder material applied, SnPb or Pb-free respectively.

The total contact time of successive solder waves must not exceed 5 seconds.

The device may be mounted up to the seating plane, but the temperature of the plastic body must not exceed the specified maximum storage temperature ($T_{stg(max)}$). If the printed-circuit board has been pre-heated, forced cooling may be necessary immediately after soldering to keep the temperature within the permissible limit.

17.3 Manual soldering

Apply the soldering iron (24 V or less) to the lead(s) of the package, either below the seating plane or not more than 2 mm above it. If the temperature of the soldering iron bit is less than 300 °C it may remain in contact for up to 10 seconds. If the bit temperature is between 300 °C and 400 °C, contact may be up to 5 seconds.

17.4 Package related soldering information

Table 60. Suitability of through-hole mount IC packages for dipping and wave soldering

Package	Soldering method	
	Dipping	Wave
CPGA, HCPGA	-	suitable
DBS, DIP, HDIP, RDBS, SDIP, SIL	suitable	suitable ^[1]
PMFP ^[2]	-	not suitable

[1] For SDIP packages, the longitudinal axis must be parallel to the transport direction of the printed-circuit board.

[2] For PMFP packages hot bar soldering or manual soldering is suitable.

18. Abbreviations

Table 61. Abbreviations

Acronym	Description
ADC	Analog-to-Digital Converter
AFC	Automatic Frequency Control
AGC	Automatic Gain Control
ATV	Analog TV
BP	Band-Pass
CW	Continuous Wave
DAC	Digital-to-Analog Converter
DC	Direct Current
DIF	Digital Intermediate Frequency
DSP	Digital Signal Processor
DTV	Digital TV
DVB	Digital Video Broadcasting
DVB-C	Digital Video Broadcasting-Cable
DVB-T	Digital Video Broadcasting-Terrestrial
EMI	Electro-Magnetic Interference
ESD	ElectroStatic Discharge
FPLL	Frequency Phase-Locked Loop
I/O	Input/Output
IC	Integrated Circuit
IF	Intermediate Frequency
LCD	Liquid Crystal Display
LIF	Low Intermediate Frequency
MAD	Module Address
NB	NarrowBand
NICAM	Near Instantaneous Companded Audio Multiplex
PLL	Phase-Locked Loop
POR	Power-On Reset
QSS	Quasi Split Sound

Table 61. Abbreviations ...continued

Acronym	Description
RIF	Radio Intermediate Frequency
RSSI	Received Signal Strength Indication
SAW	Surface Acoustic Wave
SC	Sound Carrier
SIF	Sound Intermediate Frequency
TAGC	Tuner Automatic Gain Control
TOP	TakeOver Point
VCO	Voltage-Controlled Oscillator
VIF	Vision Intermediate Frequency
VITS	Vertical Interval Test Signal

19. Revision history

Table 62. Revision history

Document ID	Release date	Data sheet status	Change notice	Supersedes
TDA9897_TDA9898_4	20090525	Product data sheet	-	TDA9897_TDA9898_3
Modifications:	<ul style="list-style-type: none"> • Specification of features for V3 version 			
TDA9897_TDA9898_3	20080111	Product data sheet	-	TDA9897_TDA9898_2
TDA9897_TDA9898_2	20070411	Product data sheet	-	TDA9897_TDA9898_1
TDA9897_TDA9898_1	20060922	Product data sheet	-	-

20. Legal information

20.1 Data sheet status

Document status ^{[1][2]}	Product status ^[3]	Definition
Objective [short] data sheet	Development	This document contains data from the objective specification for product development.
Preliminary [short] data sheet	Qualification	This document contains data from the preliminary specification.
Product [short] data sheet	Production	This document contains the product specification.

[1] Please consult the most recently issued document before initiating or completing a design.

[2] The term 'short data sheet' is explained in section "Definitions".

[3] The product status of device(s) described in this document may have changed since this document was published and may differ in case of multiple devices. The latest product status information is available on the Internet at URL <http://www.nxp.com>.

20.2 Definitions

Draft — The document is a draft version only. The content is still under internal review and subject to formal approval, which may result in modifications or additions. NXP Semiconductors does not give any representations or warranties as to the accuracy or completeness of information included herein and shall have no liability for the consequences of use of such information.

Short data sheet — A short data sheet is an extract from a full data sheet with the same product type number(s) and title. A short data sheet is intended for quick reference only and should not be relied upon to contain detailed and full information. For detailed and full information see the relevant full data sheet, which is available on request via the local NXP Semiconductors sales office. In case of any inconsistency or conflict with the short data sheet, the full data sheet shall prevail.

20.3 Disclaimers

General — Information in this document is believed to be accurate and reliable. However, NXP Semiconductors does not give any representations or warranties, expressed or implied, as to the accuracy or completeness of such information and shall have no liability for the consequences of use of such information.

Right to make changes — NXP Semiconductors reserves the right to make changes to information published in this document, including without limitation specifications and product descriptions, at any time and without notice. This document supersedes and replaces all information supplied prior to the publication hereof.

Suitability for use — NXP Semiconductors products are not designed, authorized or warranted to be suitable for use in medical, military, aircraft, space or life support equipment, nor in applications where failure or malfunction of an NXP Semiconductors product can reasonably be expected to result in personal injury, death or severe property or environmental damage. NXP Semiconductors accepts no liability for inclusion and/or use of NXP Semiconductors products in such equipment or applications and therefore such inclusion and/or use is at the customer's own risk.

Applications — Applications that are described herein for any of these products are for illustrative purposes only. NXP Semiconductors makes no representation or warranty that such applications will be suitable for the specified use without further testing or modification.

Limiting values — Stress above one or more limiting values (as defined in the Absolute Maximum Ratings System of IEC 60134) may cause permanent damage to the device. Limiting values are stress ratings only and operation of the device at these or any other conditions above those given in the Characteristics sections of this document is not implied. Exposure to limiting values for extended periods may affect device reliability.

Terms and conditions of sale — NXP Semiconductors products are sold subject to the general terms and conditions of commercial sale, as published at <http://www.nxp.com/profile/terms>, including those pertaining to warranty, intellectual property rights infringement and limitation of liability, unless explicitly otherwise agreed to in writing by NXP Semiconductors. In case of any inconsistency or conflict between information in this document and such terms and conditions, the latter will prevail.

No offer to sell or license — Nothing in this document may be interpreted or construed as an offer to sell products that is open for acceptance or the grant, conveyance or implication of any license under any copyrights, patents or other industrial or intellectual property rights.

Export control — This document as well as the item(s) described herein may be subject to export control regulations. Export might require a prior authorization from national authorities.

Quick reference data — The Quick reference data is an extract of the product data given in the Limiting values and Characteristics sections of this document, and as such is not complete, exhaustive or legally binding.

20.4 Trademarks

Notice: All referenced brands, product names, service names and trademarks are the property of their respective owners.

I²C-bus — logo is a trademark of NXP B.V.

21. Contact information

For more information, please visit: <http://www.nxp.com>

For sales office addresses, please send an email to: salesaddresses@nxp.com

22. Contents

1	General description	1	16.3	Wave soldering	97
2	Features	1	16.4	Reflow soldering	98
2.1	General	1	17	Soldering of through-hole mount packages	99
2.2	Analog TV processing	1	17.1	Introduction to soldering through-hole mount packages	99
2.3	Digital TV processing	2	17.2	Soldering by dipping or by solder wave	99
2.4	FM radio mode	3	17.3	Manual soldering	99
3	Applications	3	17.4	Package related soldering information	100
4	Quick reference data	3	18	Abbreviations	100
5	Ordering information	7	19	Revision history	101
6	Block diagram	8	20	Legal information	102
7	Pinning information	12	20.1	Data sheet status	102
7.1	Pinning	12	20.2	Definitions	102
7.2	Pin description	13	20.3	Disclaimers	102
8	Functional description	15	20.4	Trademarks	102
8.1	IF input switch	15	21	Contact information	102
8.2	VIF demodulator	15	22	Contents	103
8.3	VIF AGC and tuner AGC	15			
8.3.1	Mode selection of VIF AGC	15			
8.3.2	VIF AGC monitor	15			
8.3.3	Tuner AGC	16			
8.4	DIF/SIF FM and AM sound AGC	16			
8.5	Frequency phase-locked loop for VIF	16			
8.6	DIF/SIF converter stage	17			
8.7	Mono sound demodulator	17			
8.7.1	FM PLL narrowband demodulation	17			
8.7.2	AM sound demodulation	17			
8.8	Audio amplifier	17			
8.9	Synthesizer	18			
8.10	I ² C-bus transceiver and slave address	18			
9	I²C-bus control	18			
9.1	Read format	19			
9.2	Write format	23			
9.2.1	Subaddress	23			
9.2.2	Description of data bytes	24			
10	Limiting values	39			
11	Thermal characteristics	39			
12	Characteristics	40			
12.1	Analog TV signal processing	40			
12.2	Digital TV signal processing	78			
13	Application information	90			
14	Test information	94			
15	Package outline	95			
16	Soldering of SMD packages	97			
16.1	Introduction to soldering	97			
16.2	Wave and reflow soldering	97			

Please be aware that important notices concerning this document and the product(s) described herein, have been included in section 'Legal information'.

