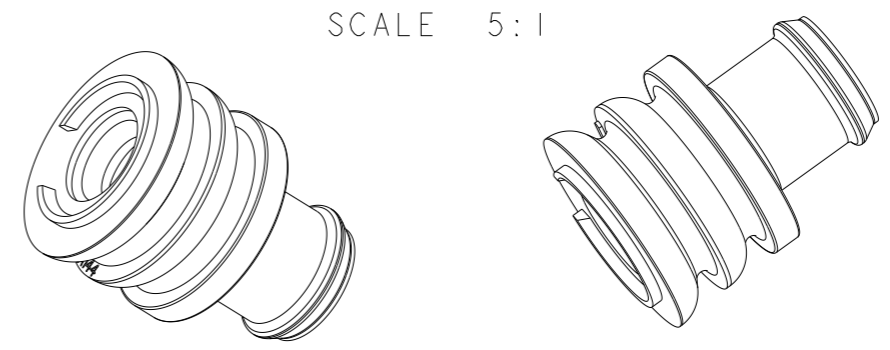
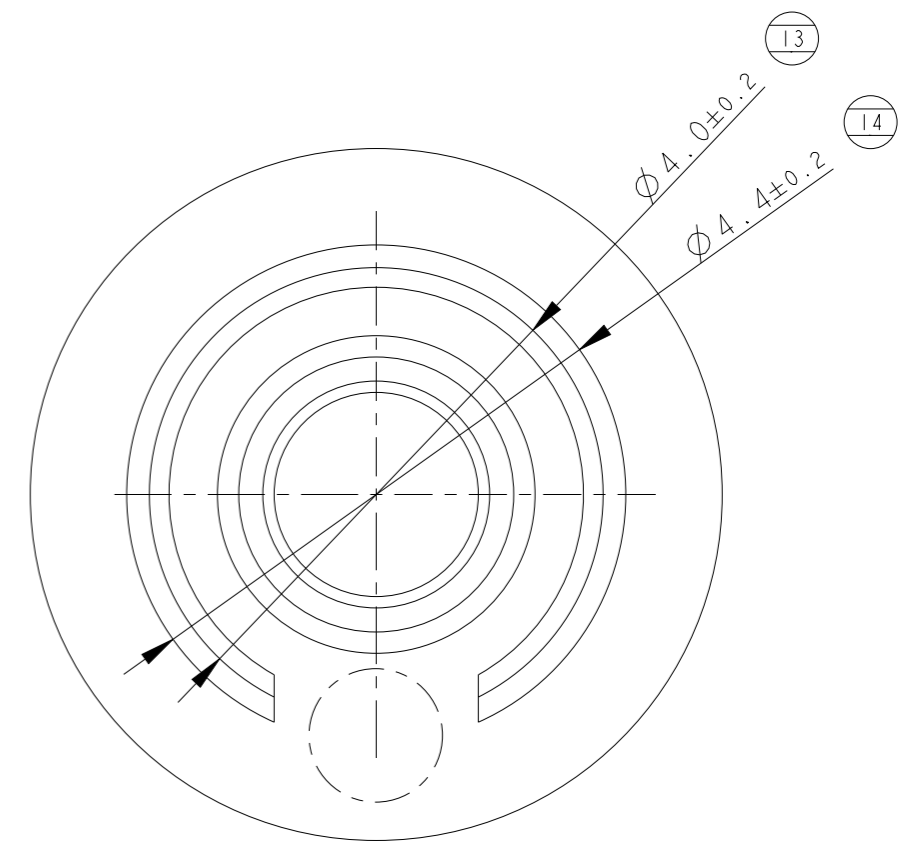
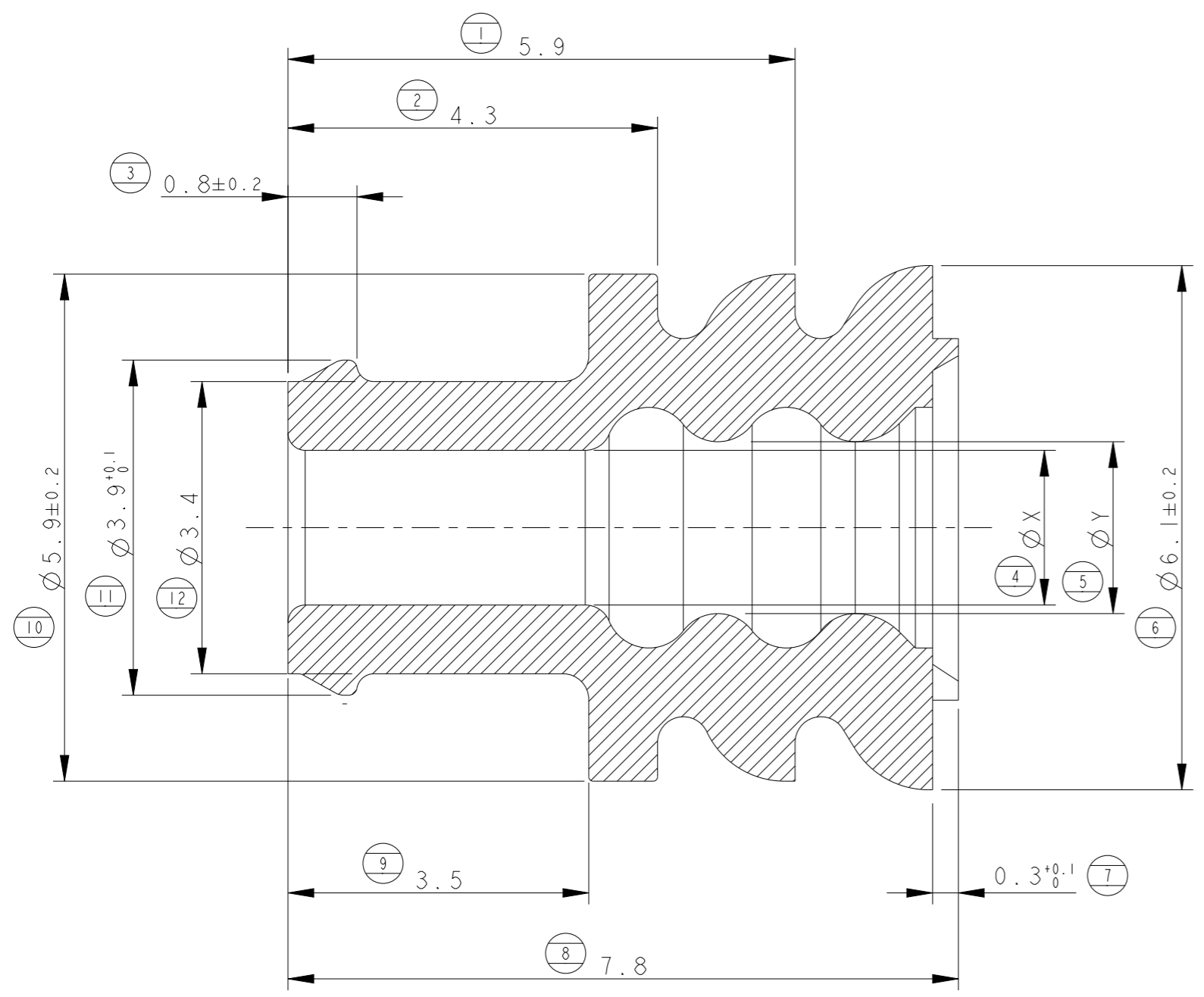


THIS DRAWING IS UNPUBLISHED. RELEASED FOR PUBLICATION 20
 © COPYRIGHT 20 BY - ALL RIGHTS RESERVED.

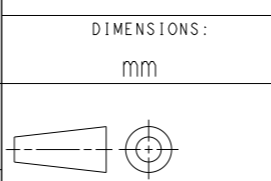
REVISIONS					
P	LTR	DESCRIPTION	DATE	DWN	APVD
	H2	REDRAWN (ECR-15-005089)	09APR2015	M.G.	M.G.
	H3	ECR-23-169886	17APR2023	BV	GB



SCALE 5:1

same as 281934-2	same as 281934-2	same as 281934-2	YELLOW	LSR	H	5-281934-2	
1.2 - 1.6	1.0±0.2	1.0±0.2	WHITE	FLUORSILICONE RUBBER (FSL)	H	281934-5	
			GREEN	SILICONE RUBBER (LSR)	H	281934-4	
2.5 - 3.3	2.0±0.2	1.8±0.2	RED		H	281934-3	
1.7 - 2.4	1.4±0.2	1.4±0.2	YELLOW	H	281934-2		
SUITABLE FOR INS. DIA	DIM. "Y"	DIM. "X"	COLOUR	MATERIAL	REV.	P/N	

THIS DRAWING IS A CONTROLLED DOCUMENT.



DIMENSIONS:		TOLERANCES UNLESS OTHERWISE SPECIFIED:	
mm			
0 PLC	±0.3	0 PLC	±0.3
1 PLC	±0.3	1 PLC	±0.3
2 PLC	±	2 PLC	±
3 PLC	±	3 PLC	±
4 PLC	±	4 PLC	±
ANGLES	±2°	ANGLES	±2°
FINISH	-	FINISH	-
MATERIAL	-	MATERIAL	-
SEE TABLE	-	SEE TABLE	-

DWN	C. BERTINI	12-'88
CHK	A. BRUNI	05-'92
APVD	-	-
PRODUCT SPEC	-	-
APPLICATION SPEC	-	-
WEIGHT	-	-
Customer Drawing		

		TE Connectivity	
		NAME SINGLE WIRE SEAL	
SIZE	A3	CAGE CODE	-
DRAWING NO	C-281934	RESTRICTED TO	-
SCALE	15:1	SHEET	1 OF 1
REV	H3		