



TAI-SAW TECHNOLOGY CO., LTD.

No. 3, Industrial 2nd Rd., Ping-Chen Industrial District,
Taoyuan, 324, Taiwan, R.O.C.

TEL: 886-3-4690038 FAX: 886-3-4697532

E-mail: tstsales@mail.taisaw.com Web: www.taisaw.com

Product Specifications Approval Sheet

Product Description: SAW Filter 867.5 MHz SMD 2.0x1.6 mm (BW=15 MHz)

TST Part No.: TA1735A

Customer Part No.: _____

Customer signature required
Company: _____
Division: _____
Approved by : _____
Date: _____

Checked by: _____ David Chang 

Approved by: _____ Bob Chau 

Date: _____ 2014/05/15

1. Customer signed back is required before TST can proceed with sample build and receive orders.
2. Orders received without customer signed back will be regarded as agreement on the specifications.
3. Any specifications changes must be approved upon by both parties and a new revision of specifications shall be released to reflect the changes.



TAI-SAW TECHNOLOGY CO., LTD.

No. 3, Industrial 2nd Rd., Ping-Chen Industrial District,
Taoyuan, 324, Taiwan, R.O.C.

TEL: 886-3-4690038 FAX: 886-3-4697532

E-mail: tstsales@mail.taisaw.com Web: www.taisaw.com

SAW Filter 867.5 MHz

MODEL NO.: TA1735A

REV. NO.:1

A. MAXIMUM RATING:

1. Input Power Level: 10 dB_m
2. DC voltage: 3 V
3. Operating Temperature: -30°C to +80°C
4. Storage Temperature: -40°C to +95°C

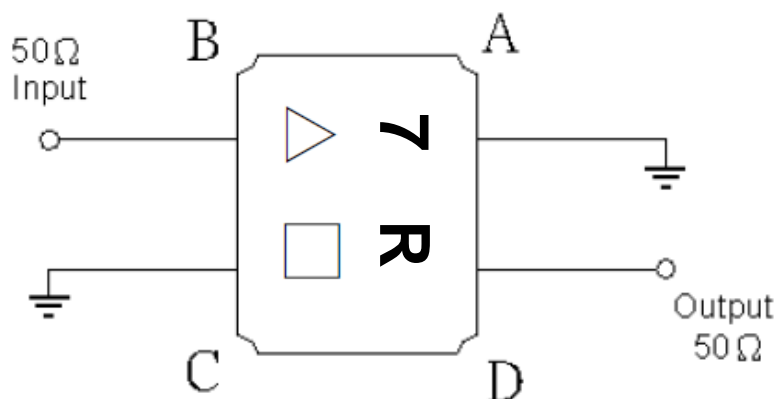
RoHS Compliant
Lead free
Lead-free soldering

Electrostatic Sensitive Device (ESD)

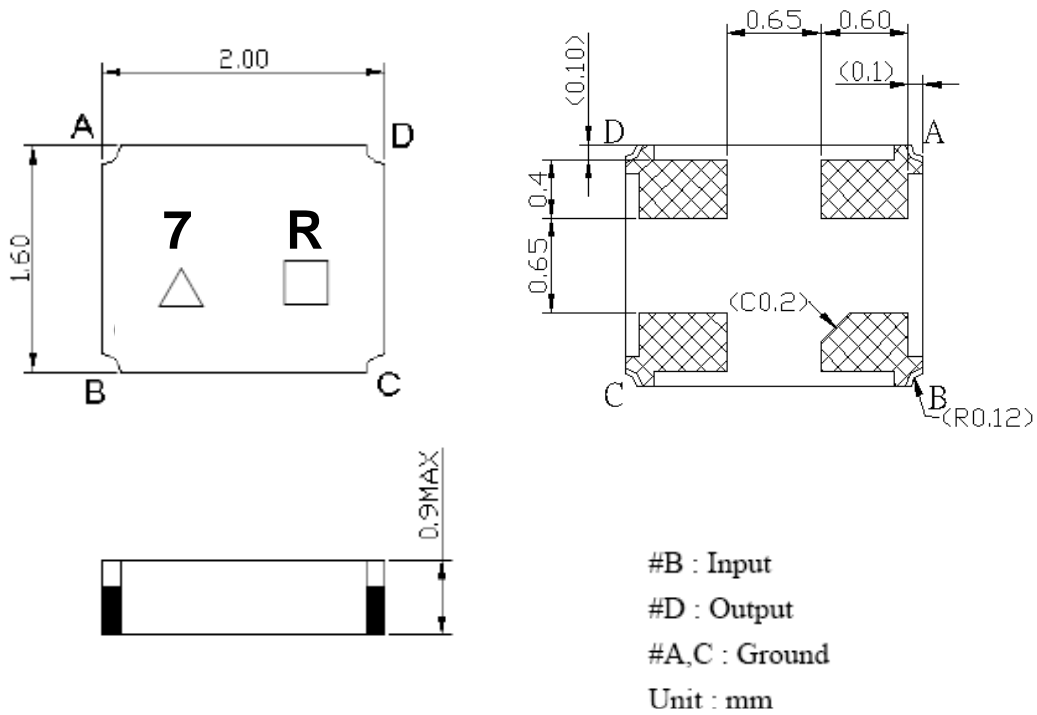
B. ELECTRICAL CHARACTERISTICS:

Item	Unit	Min.	Typ.	Max.	
Center frequency	F _c	MHz	-	867.5	-
Insertion loss (860~875 MHz)	IL	dB	-	2.2	3.5
Amplitude ripple (860~875 MHz)		dB	-	0.3	1.5
VSWR (860~875 MHz)		-	-	1.4	2
Attenuation (Reference level from 0 dB)					
100 ~ 815 MHz		dB	40	50	-
815 ~ 830 MHz		dB	38	47	-
898 ~ 901 MHz		dB	15	26	-
915 ~ 925 MHz		dB	30	44	-
925 ~ 2330 MHz		dB	28	41	-
2330 ~ 2000 MHz		dB	20	33	-
Source impedance	Z _s	Ω	-	50	-
Load impedance	Z _L	Ω	-	50	-
Temperature Coefficient of Frequency		Ppm/°C	-	-36	-

C. MEASUREMENT CIRCUIT:



D. OUTLINE DRAWING:



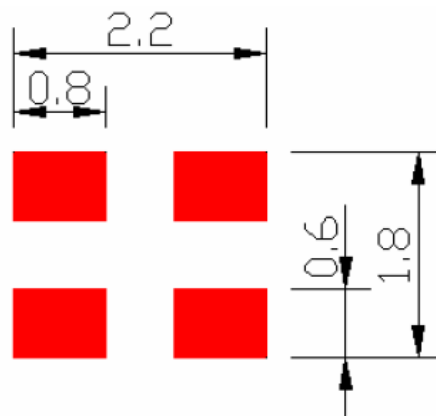
△: Year Code (2010->0, 2011->1, ..., 2019->9)

□: Date Code

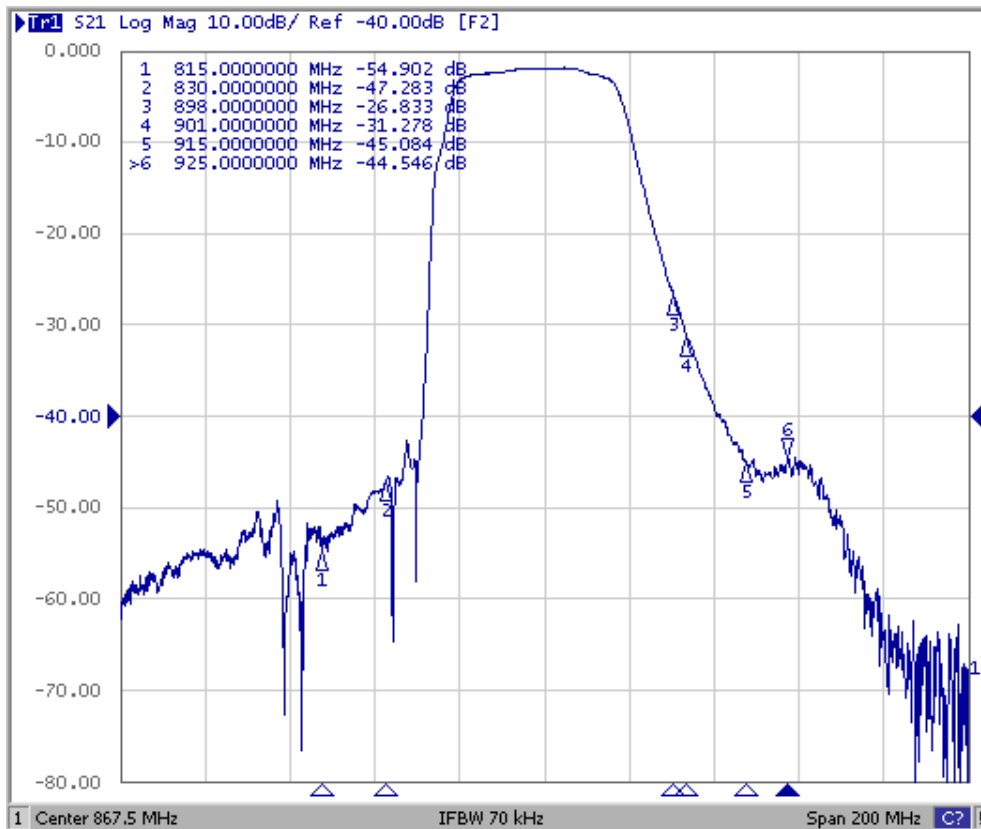
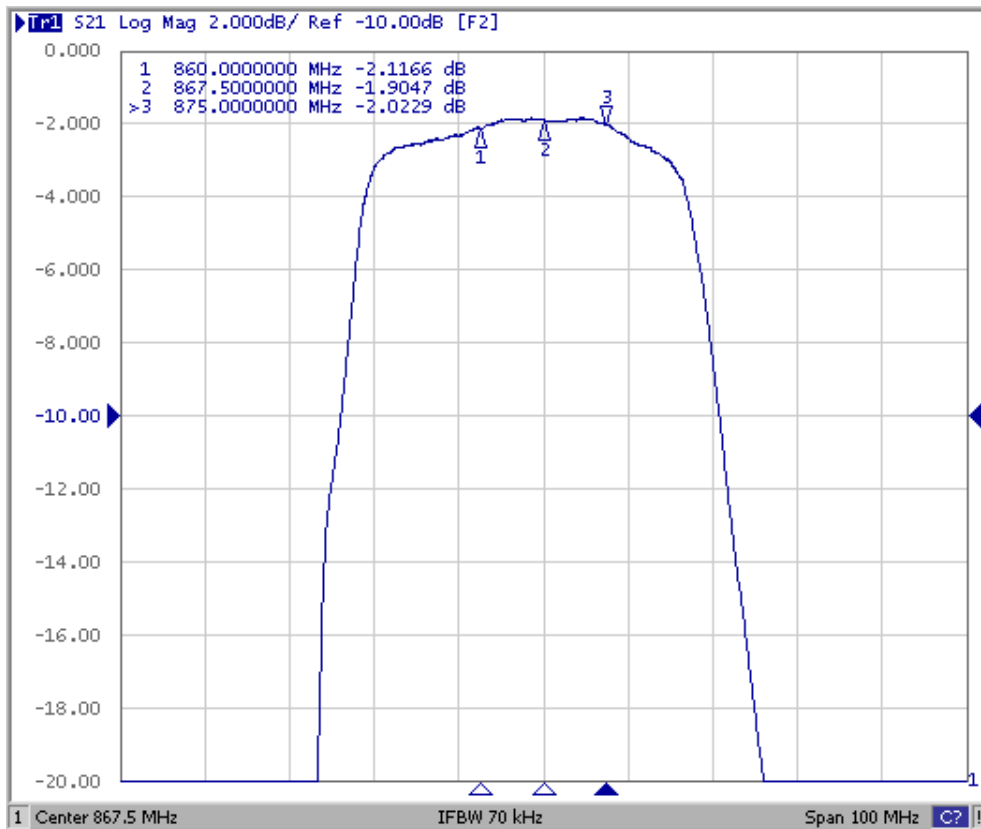
Date Code Table:

WK01	WK02	WK03	WK04	WK05	WK06	WK07	WK08	WK09	WK10	WK11	WK12	WK13
A	B	C	D	E	F	G	H	I	J	K	L	M
WK14	WK15	WK16	WK17	WK18	WK19	WK20	WK21	WK22	WK23	WK24	WK25	WK26
N	O	P	Q	R	S	T	U	V	W	X	Y	Z
WK27	WK28	WK29	WK30	WK31	WK32	WK33	WK34	WK35	WK36	WK37	WK38	WK39
a	b	c	d	e	f	g	h	i	j	k	l	m
WK40	WK41	WK42	WK43	WK44	WK45	WK46	WK47	WK48	WK49	WK50	WK51	WK52
n	o	p	q	r	s	t	u	v	w	x	y	z

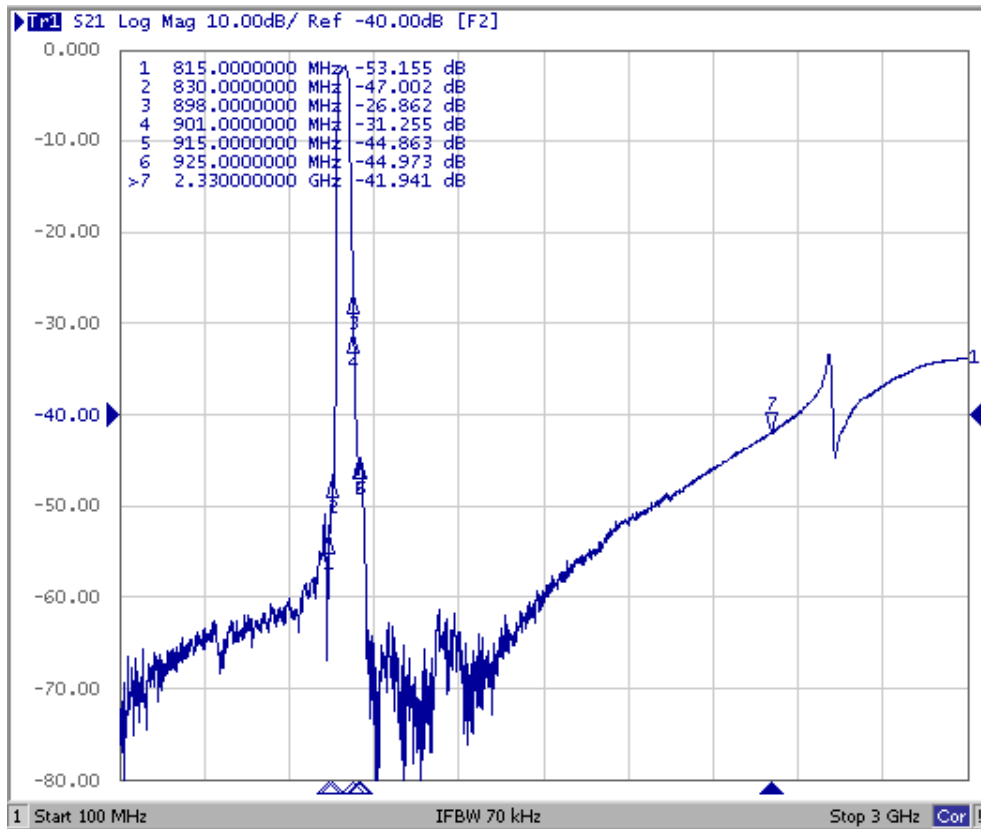
E. PCB Footprint:



F. Frequency Characteristics: Transfer function

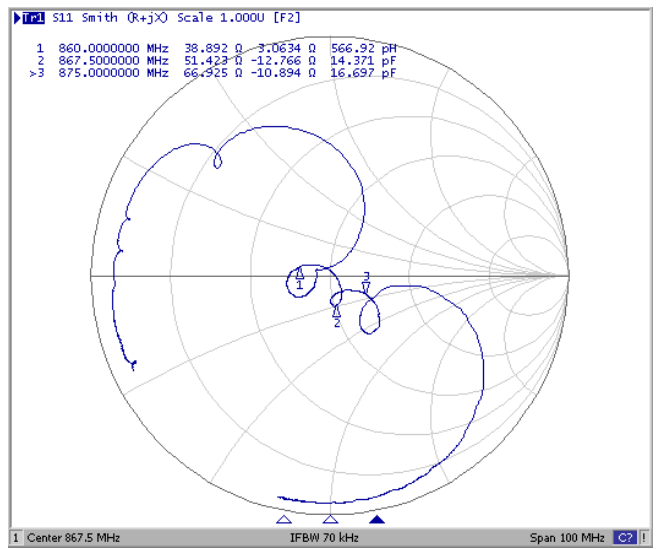
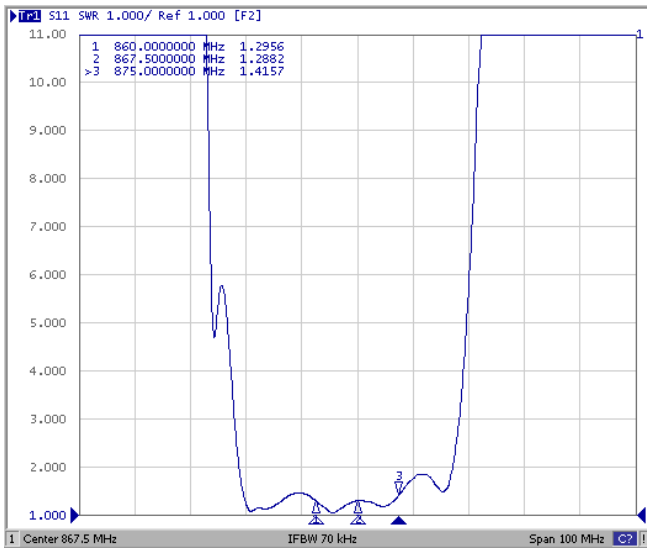


Wideband

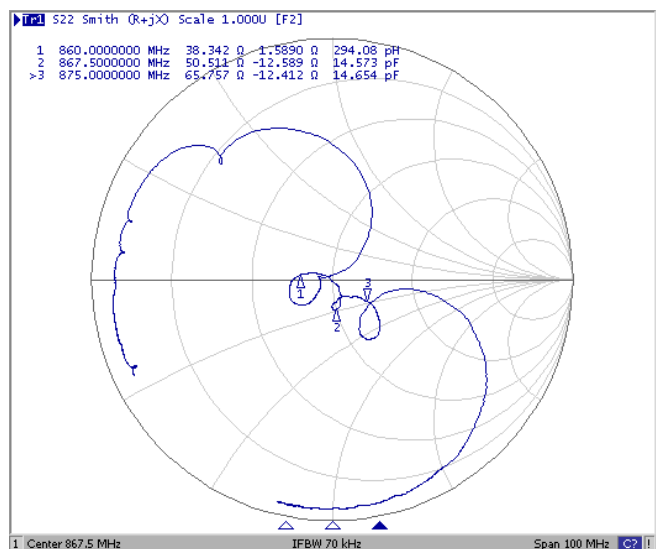
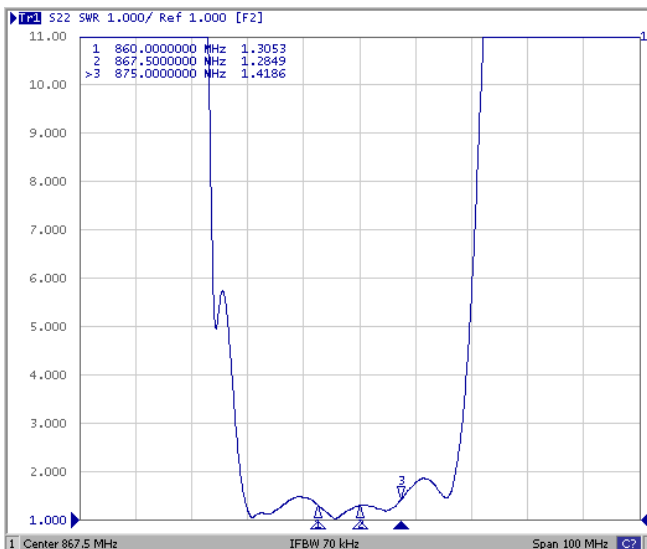


Reflections Functions:

S11 VSWR



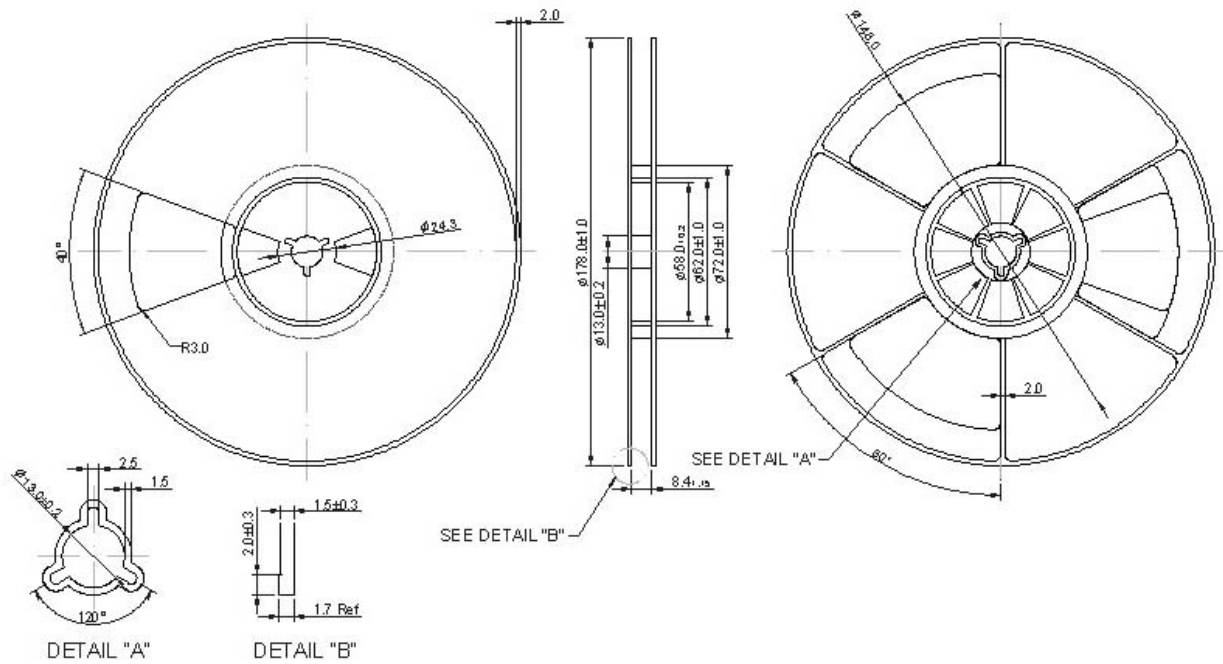
S22 VSWR



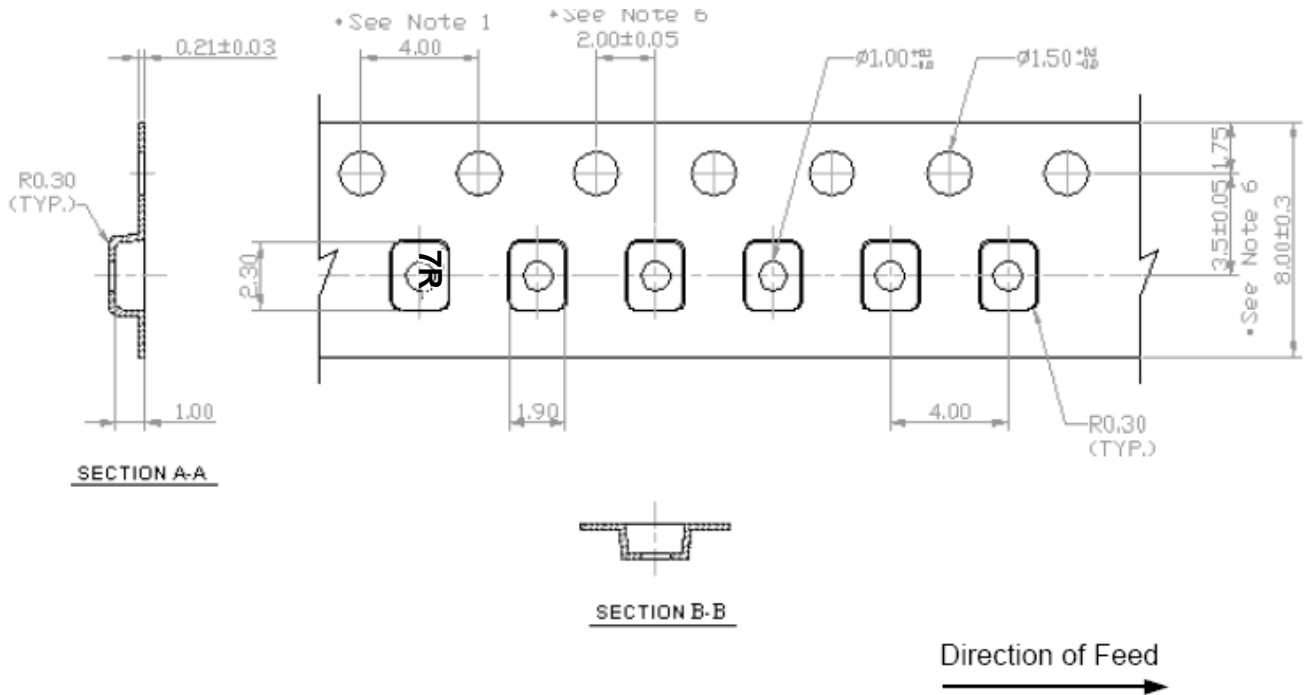
G. PACKING:

1. REEL DIMENSION

(Please refer to FR-75D10 for packing quantity)



2. TAPE DIMENSION



H. RECOMMENDED REFLOW PROFILE:

