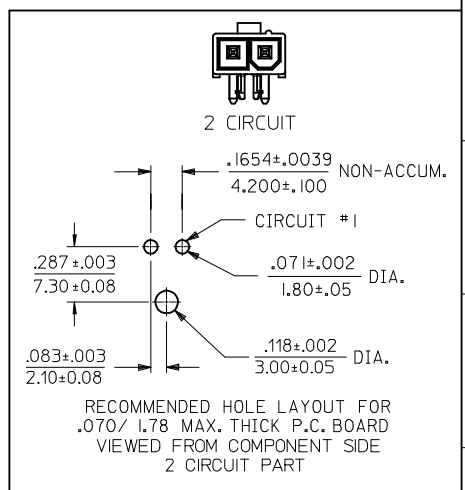
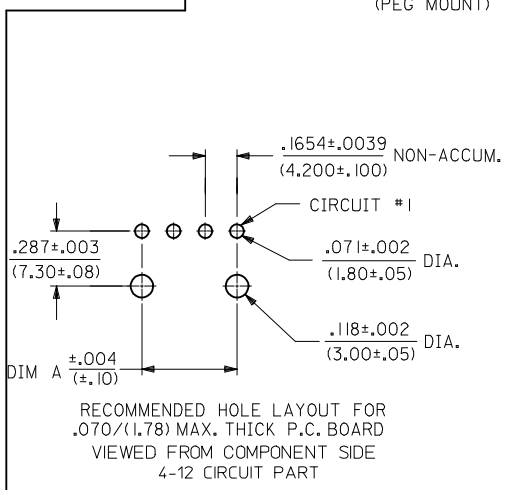
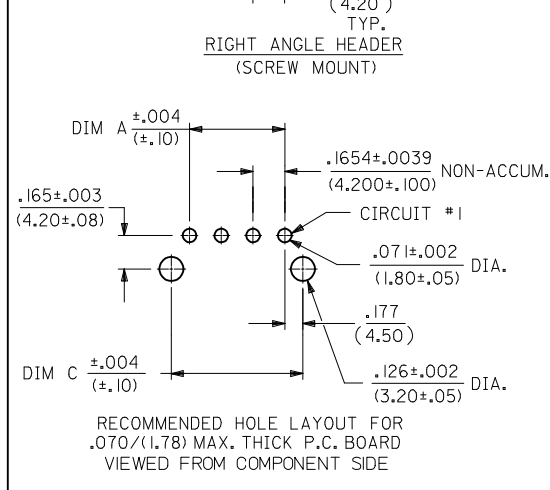
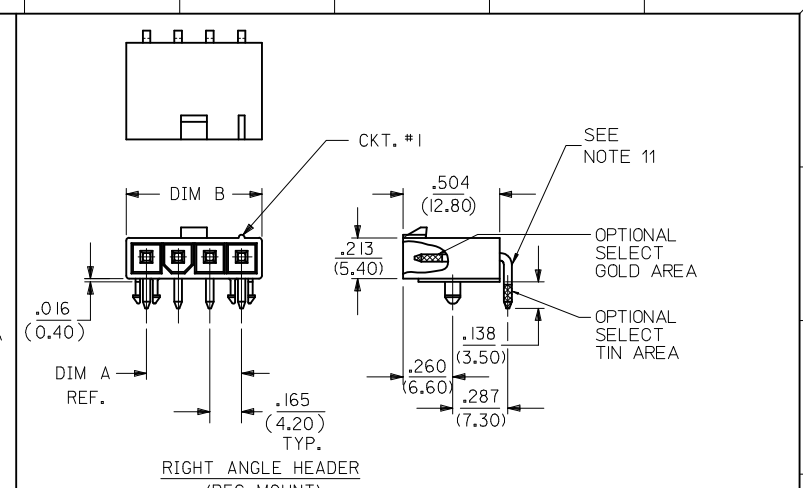
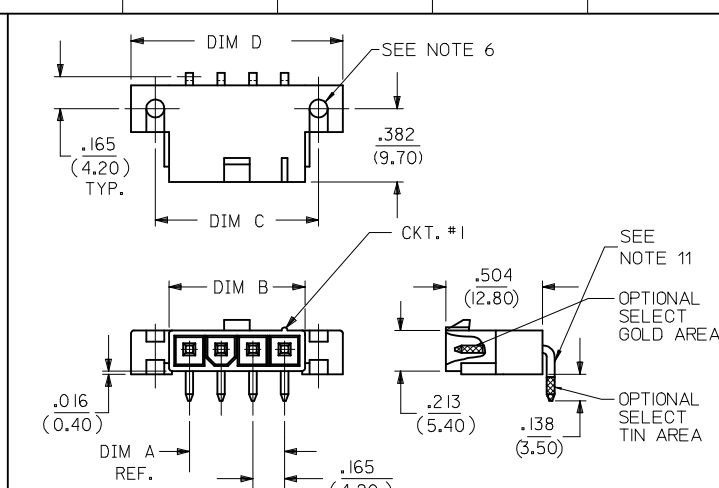


CKT SIZE	DIM A	DIM B	DIM C	DIM D
2	.165 (4.20)	.378 (9.60)	.520 (13.20)	.772 (19.60)
4	.496 (12.60)	.709 (18.00)	.850 (21.60)	1.102 (28.00)
5	.661 (16.80)	.874 (22.20)	1.016 (25.80)	1.268 (32.20)
6	.827 (21.00)	1.039 (26.40)	1.181 (30.00)	1.433 (36.40)
7	.992 (25.20)	1.205 (30.60)	1.346 (34.20)	1.598 (40.60)
8	1.157 (29.40)	1.370 (34.80)	1.512 (38.40)	1.764 (44.80)
9	1.323 (33.60)	1.535 (39.00)	1.677 (42.60)	1.929 (49.00)
10	1.488 (37.80)	1.701 (43.20)	1.843 (46.80)	2.094 (53.20)
11	1.654 (42.00)	1.866 (47.40)	2.008 (51.00)	2.260 (57.40)
12	1.819 (46.20)	2.031 (51.60)	2.173 (55.20)	2.425 (61.60)



172648 - \* \* \*\*

PLATING SEE NOTE 2  
0 = TIN  
1 = GOLD

CIRCUIT SIZE

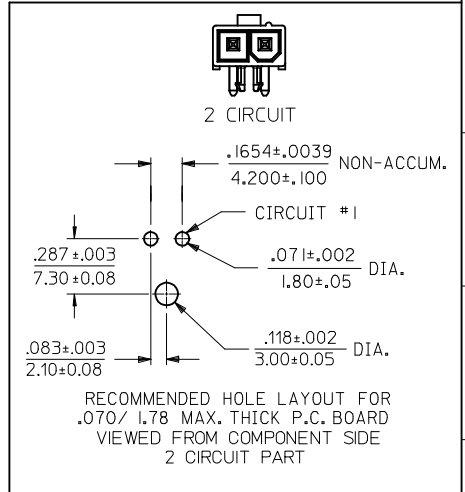
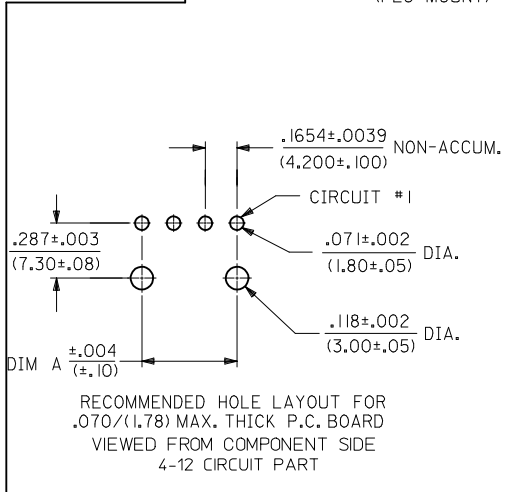
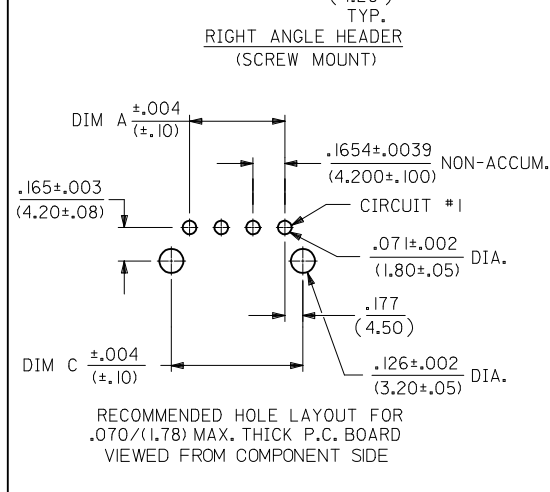
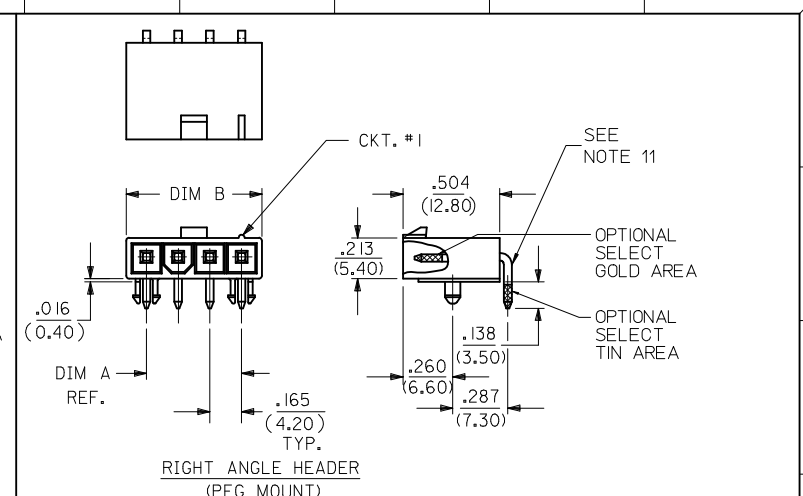
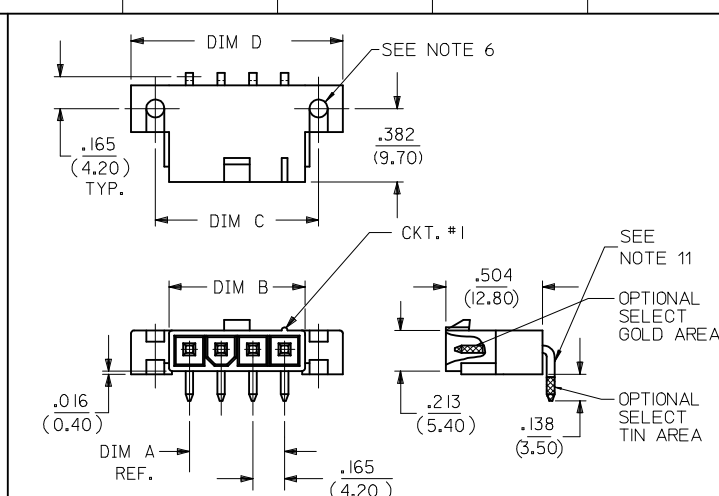
ASSEMBLY TYPE  
1 = SINGLE ROW W/PEGS POSITIVE LOCK  
2 = SINGLE ROW W/SCREW MOUNT POSITIVE LOCK

- NOTES:
- MATERIAL: HOUSING: UNFILLED NYLON, UL94V-2, IEC 60335-1, 5TH EDITION GLOW WIRE CAPABLE, COLOR - BLACK. TERMINAL: BRASS ALLOY
  - FINISH (PLATING): GOLD = .000030/(0.00076) MIN. SELECT GOLD OVER .000100/(0.00254) MIN. SELECT MATTE TIN OVER .000050/(0.00127) MIN. NICKEL OVERALL TIN = .000100/(0.00254) MIN. MATTE TIN OVER .000050/(0.00127) MIN. NICKEL OVERALL
  - PRODUCT SPECIFICATION: PS-5556-001
  - PACKAGING SPECIFICATION: BULK PACK PER PK-5569-002 TRAY PACK PER PK-5569-005
  - PART MATES WITH MINI-FIT JR. RECEPTACLE SERIES 46994.
  - SCREW MOUNT PARTS ARE DESIGNED FOR USE WITH #4 OR M3 SELF TAPPING SCREWS.
  - DISCOLORATION IN THE BANDOLIER CARRIER AREA OF THE PIN IS INHERENT TO THE PLATING PROCESS AND IS DUE TO THE MASKING EFFECT OF THE CARRIER. THIS DISCOLORATION IS IN A NON-FUNCTIONAL AREA OF THE PIN AND WILL NOT AFFECT THE PERFORMANCE OF THE HEADER ASSEMBLY.
  - CONNECTORS ARE NOT TO BE MATED AND UNMATED WHILE CIRCUITS ARE LIVE.
  - PARTS ARE NOT DESIGNED FOR CURRENT SHARING.
  - PART CONFORMS TO CLASS "B" REQUIREMENTS OF COSMETIC SPECIFICATION PS-45499-002, WITH THE EXCEPTION OF DISCOLORATION, FLASH AND SINK MEET CLASS "C" REQUIREMENTS.
  - FORMING MARKS ON PINS ARE ACCEPTABLE.

ADD 2 CKT VIEW EC NO: UCP2017-2789 DRAWN: APPELDORN 2017/06/26 CHKD: JBELL 2017/06/26 APPR: FSMITH 2017/06/28	QUALITY SYMBOLS	GENERAL TOLERANCES (UNLESS SPECIFIED)		DIMENSION STYLE		SCALE	DESIGN UNITS	THIRD ANGLE PROJECTION	
		mm	INCH	IN/MM	DATE	2:1	METRIC		
REV	▽=0	4 PLACES ±	---	±	---	DRAWN BY	NGUYEN	DATE	2014/04/11
	▽=0	3 PLACES ±	---	±	.015	CHECKED BY	DATE		
	▽=0	2 PLACES ±	.38	±	---	DATE	2014/04/11		
		1 PLACE ±	---	---	---	APPROVED BY	DATE		
		0 PLACE ±	---	---	---	FSMITH	2014/05/16		
ANGULAR ± 3°		DRAFT WHERE APPLICABLE MUST REMAIN WITHIN DIMENSIONS		MATERIAL NO.		DOCUMENT NO.		SHEET NO.	
SEE CHART		SD-172648-0000		1 OF 1		<p>MINI-FIT JR RIGHT ANGLE HEADER ASSEMBLY SINGLE ROW, GLOW WIRE</p> <p><b>molex</b></p>			
THIS DRAWING CONTAINS INFORMATION THAT IS PROPRIETARY TO MOLEX INCORPORATED AND SHOULD NOT BE USED WITHOUT WRITTEN PERMISSION									

PART NUMBER	CKT SIZE	MOUNTING OPTION	PLATING SEE NOTE 2	PACKAGING
172648-0102	2			TRAY
172648-0104	4	PEG	TIN	BULK
172648-0105	5			
172648-0106	6			TRAY
PART NUMBER	CKT SIZE	MOUNTING OPTION	PLATING SEE NOTE 2	PACKAGING
172648-1102	2			TRAY
172648-1104	4	PEG	GOLD	BULK
172648-1105	5			
172648-1106	6			TRAY

CKT SIZE	DIM A	DIM B	DIM C	DIM D
2	.165 (4.20)	.378 (9.60)	.520 (13.20)	.772 (19.60)
4	.496 (12.60)	.709 (18.00)	.850 (21.60)	1.102 (28.00)
5	.661 (16.80)	.874 (22.20)	1.016 (25.80)	1.268 (32.20)
6	.827 (21.00)	1.039 (26.40)	1.181 (30.00)	1.433 (36.40)
7	.992 (25.20)	1.205 (30.60)	1.346 (34.20)	1.598 (40.60)
8	1.157 (29.40)	1.370 (34.80)	1.512 (38.40)	1.764 (44.80)
9	1.323 (33.60)	1.535 (39.00)	1.677 (42.60)	1.929 (49.00)
10	1.488 (37.80)	1.701 (43.20)	1.843 (46.80)	2.094 (53.20)
11	1.654 (42.00)	1.866 (47.40)	2.008 (51.00)	2.260 (57.40)
12	1.819 (46.20)	2.031 (51.60)	2.173 (55.20)	2.425 (61.60)



172648 - \* \* \*\*

PLATING SEE NOTE 2  
0 = TIN  
1 = GOLD

CIRCUIT SIZE

ASSEMBLY TYPE  
1 = SINGLE ROW W/PEGS POSITIVE LOCK  
2 = SINGLE ROW W/SCREW MOUNT POSITIVE LOCK

- NOTES:
- MATERIAL: HOUSING: UNFILLED NYLON, UL94V-2, IEC 60335-1, 5TH EDITION GLOW WIRE CAPABLE, COLOR - BLACK. TERMINAL: BRASS ALLOY
  - FINISH (PLATING): GOLD = .000030/(0.00076) MIN. SELECT GOLD OVER .000100/(0.00254) MIN. SELECT MATTE TIN OVER .000050/(0.00127) MIN. NICKEL OVERALL TIN = .000100/(0.00254) MIN. MATTE TIN OVER .000050/(0.00127) MIN. NICKEL OVERALL
  - PRODUCT SPECIFICATION: PS-5556-001
  - PACKAGING SPECIFICATION: BULK PACK PER PK-5569-002 TRAY PACK PER PK-5569-005
  - PART MATES WITH MINI-FIT JR. RECEPTACLE SERIES 46994.
  - SCREW MOUNT PARTS ARE DESIGNED FOR USE WITH #4 OR M3 SELF TAPPING SCREWS.
  - DISCOLORATION IN THE BANDOLIER CARRIER AREA OF THE PIN IS INHERENT TO THE PLATING PROCESS AND IS DUE TO THE MASKING EFFECT OF THE CARRIER. THIS DISCOLORATION IS IN A NON-FUNCTIONAL AREA OF THE PIN AND WILL NOT AFFECT THE PERFORMANCE OF THE HEADER ASSEMBLY.
  - CONNECTORS ARE NOT TO BE MATED AND UNMATED WHILE CIRCUITS ARE LIVE.
  - PARTS ARE NOT DESIGNED FOR CURRENT SHARING.
  - PART CONFORMS TO CLASS "B" REQUIREMENTS OF COSMETIC SPECIFICATION PS-45499-002, WITH THE EXCEPTION OF DISCOLORATION, FLASH AND SINK MEET CLASS "C" REQUIREMENTS.
  - FORMING MARKS ON PINS ARE ACCEPTABLE.

PART NUMBER	CKT SIZE	MOUNTING OPTION	PLATING SEE NOTE 2	PACKAGING
172648-0102	2			TRAY
172648-0104	4	PEG	TIN	BULK
172648-0105	5			
172648-0106	6			TRAY
PART NUMBER	CKT SIZE	MOUNTING OPTION	PLATING SEE NOTE 2	PACKAGING
172648-1102	2			TRAY
172648-1104	4	PEG	GOLD	BULK
172648-1105	5			
172648-1106	6			TRAY

ADD 2 CKT VIEW  
EC NO: UCP2017-2789  
DRAWN: APPELDORN 2017/06/26  
CHKD: JBELL 2017/06/26  
APPR: FSMITH 2017/06/28

QUALITY SYMBOLS

GENERAL TOLERANCES (UNLESS SPECIFIED)

	mm	INCH
4 PLACES	± .005	± .0002
3 PLACES	± .005	± .015
2 PLACES	± .038	± .0015
1 PLACE	± .005	± .0002
0 PLACE	± .005	± .0002

ANGULAR ± 3°

DRAFT WHERE APPLICABLE MUST REMAIN WITHIN DIMENSIONS

DIMENSION STYLE: IN/MM

SCALE: 2:1

DESIGN UNITS: METRIC

THIRD ANGLE PROJECTION

DRAWN BY: NGUYEN DATE: 2014/04/11

CHECKED BY: JBELL DATE: 2014/04/11

APPROVED BY: FSMITH DATE: 2014/05/16

MATERIAL NO. SEE CHART

DOCUMENT NO. SD-172648-0000

SHEET NO. 1 OF 1

THIS DRAWING CONTAINS INFORMATION THAT IS PROPRIETARY TO MOLEX INCORPORATED AND SHOULD NOT BE USED WITHOUT WRITTEN PERMISSION