

ESP32-PICO-V3

Datasheet



Version 1.3
Espressif Systems
Copyright © 2022

About This Document

This document provides the specifications for ESP32-PICO-V3.

Document Updates

Please always refer to the latest version on <https://www.espressif.com/en/support/download/documents>.

Revision History

For revision history of this document, please refer to the [last page](#).

Documentation Change Notification

Espressif provides email notifications to keep customers updated on changes to technical documentation.

Please subscribe at www.espressif.com/en/subscribe. Note that you need to update your subscription to receive notifications of new products you are not currently subscribed to.

Certification

Download certificates for Espressif products from www.espressif.com/en/certificates.

1 Overview

1.1 Features

MCU

- ESP32 embedded, Xtensa® dual-core 32-bit LX6 microprocessor, up to 240 MHz
- 448 KB ROM for booting and core functions
- 520 KB SRAM for data and instructions
- 16 KB SRAM in RTC
- Class-1, class-2 and class-3 transmitter
- AFH
- CVSD and SBC

Wi-Fi

- 802.11 b/g/n
- Bit rate: 802.11n up to 150 Mbps
- A-MPDU and A-MSDU aggregation
- 0.4 μ s guard interval support
- Center frequency range of operating channel: 2412 ~ 2484 MHz

Bluetooth®

- Bluetooth V4.2 BR/EDR and Bluetooth LE specification

Hardware

- Interfaces: ADC, DAC, touch sensor, SD/SDIO/MMC Host Controller, SPI, SDIO/SPI Slave Controller, EMAC, motor PWM, LED PWM, UART, I2C, I2S, infrared remote controller, GPIO, pulse counter, TWAI® (compatible with ISO 11898-1, i.e. CAN Specification 2.0)
- 40 MHz crystal oscillator
- 4 MB SPI flash
- Operating voltage/Power supply: 3.0 ~ 3.6 V
- Operating ambient temperature: -40 ~ 85 °C
- Dimensions: (7 × 7 × 0.94) mm

1.2 Description

The ESP32-PICO-V3 is a System-in-Package (SiP) device that is based on ESP32 with ECO V3 wafer, providing complete Wi-Fi and Bluetooth® functionalities. It integrates a 4 MB SPI flash.

At the core of ESP32-PICO-V3 is the ESP32 (ECO V3) chip, which is a single 2.4 GHz Wi-Fi and Bluetooth combo chip designed with TSMC's 40 nm low-power technology. ESP32-PICO-V3 integrates all peripheral components seamlessly, including a crystal oscillator, flash, filter capacitors and RF matching links in one single package. Module assembly and testing are already done at SiP level. As such, ESP32-PICO-V3 reduces the complexity of supply chain and improves control efficiency.

With its ultra-small size, robust performance and low-energy consumption, ESP32-PICO-V3 is well suited for any space-limited or battery-operated applications, such as wearable electronics, medical equipment, sensors and other IoT products.

Comparing to other ESP32 series chips, ESP32-PICO-V3 has an additional pin GPIO20. For chip security purpose, flash pins DI, DO, /HOLD, /WP are not led out.

Note:

- For details on ESP32, please refer to the document [ESP32 Datasheet](#).
- For details on ESP32 ECO V3, please refer to [ESP32 ECO V3 User Guide](#).

1.3 Applications

- Generic Low-power IoT Sensor Hub
- Generic Low-power IoT Data Loggers
- Cameras for Video Streaming
- Over-the-top (OTT) Devices
- Speech Recognition
- Image Recognition
- Mesh Network
- Home Automation
- Smart Building
- Industrial Automation
- Smart Agriculture
- Audio Applications
- Health Care Applications
- Wi-Fi-enabled Toys
- Wearable Electronics
- Retail & Catering Applications

Contents

1	Overview	3
1.1	Features	3
1.2	Description	3
1.3	Applications	4
2	Block Diagram	9
3	Pin Definitions	10
3.1	Pin Layout	10
3.2	Pin Description	10
3.3	Compatibility with ESP32-PICO-D4	12
3.4	Strapping Pins	13
4	Electrical Characteristics	15
4.1	Absolute Maximum Ratings	15
4.2	Recommended Operating Conditions	15
4.3	DC Characteristics (3.3 V, 25 °C)	15
4.4	Current Consumption Characteristics	16
4.5	Wi-Fi RF Characteristics	17
4.5.1	Wi-Fi RF Standards	17
4.5.2	Transmitter Characteristics	17
4.5.3	Receiver Characteristics	18
4.6	Bluetooth Radio	19
4.6.1	Receiver – Basic Data Rate	19
4.6.2	Transmitter – Basic Data Rate	19
4.6.3	Receiver – Enhanced Data Rate	20
4.6.4	Transmitter – Enhanced Data Rate	21
4.7	Bluetooth LE Radio	21
4.7.1	Receiver	21
4.7.2	Transmitter	22
5	Schematics	23
6	Peripheral Schematics	24
7	Package Information	25
8	Product Handling	28
8.1	Storage Condition	28
8.2	ESD	28
8.3	Reflow Profile	28
9	Related Documentation and Resources	29

Revision History

30

List of Tables

1	Pin Definitions	10
2	Usage of Pins on ESP32-PICO-V3 and ESP32-PICO-D4	12
3	Strapping Pins	13
4	Absolute Maximum Ratings	15
5	Recommended Operating Conditions	15
6	DC Characteristics (3.3 V, 25 °C)	15
7	Current Consumption Depending on RF Modes	16
8	Current Consumption Depending on Work Modes	17
9	Wi-Fi RF Standards	17
10	Transmitter Characteristics	18
11	Receiver Characteristics	18
12	Receiver Characteristics – Basic Data Rate	19
13	Transmitter Characteristics – Basic Data Rate	20
14	Receiver Characteristics – Enhanced Data Rate	20
15	Transmitter Characteristics – Enhanced Data Rate	21
16	Receiver Characteristics – Bluetooth LE	21
17	Transmitter Characteristics – Bluetooth LE	22

List of Figures

1	ESP32-PICO-V3 Block Diagram	9
2	Pin Layout of ESP32-PICO-V3 (Top View)	10
3	ESP32-PICO-V3 Schematics	23
4	ESP32-PICO-V3 Peripheral Schematics	24
5	ESP32-PICO-V3 Package	25
6	ESP32-PICO-V3 PCB Land Pattern	26
7	ESP32-PICO-V3 STENCIL	27
8	Reflow Profile	28

2 Block Diagram

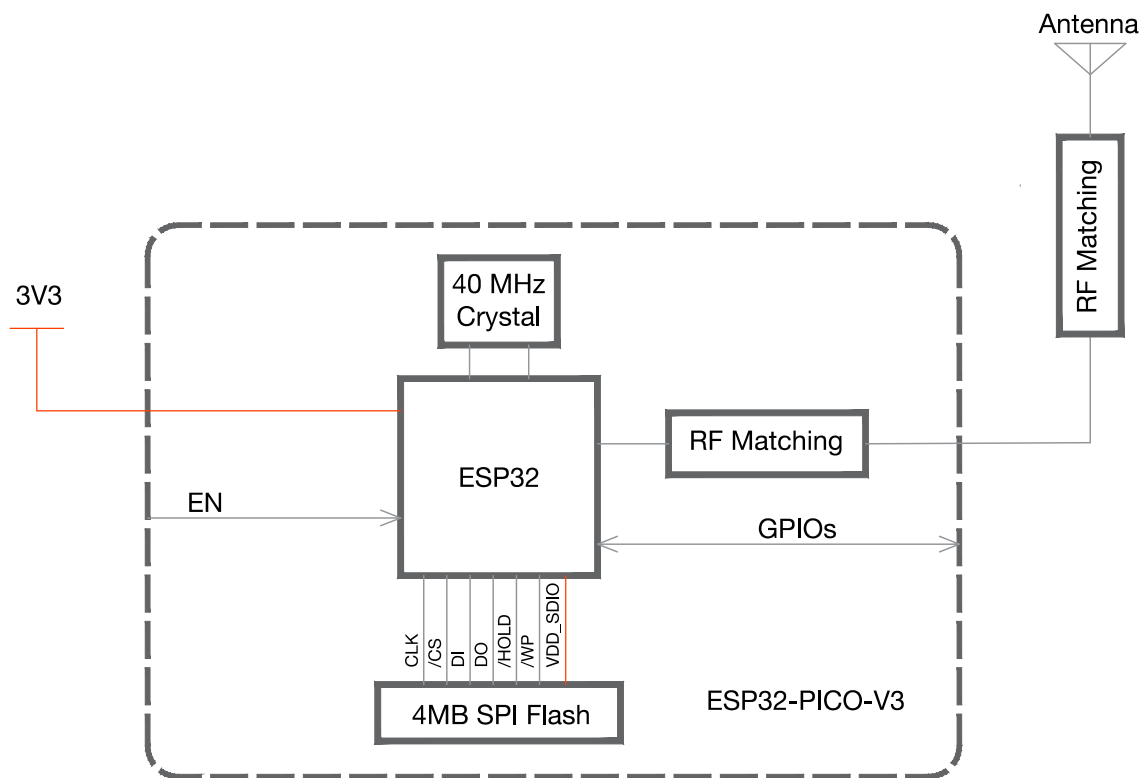


Figure 1: ESP32-PICO-V3 Block Diagram

3 Pin Definitions

3.1 Pin Layout

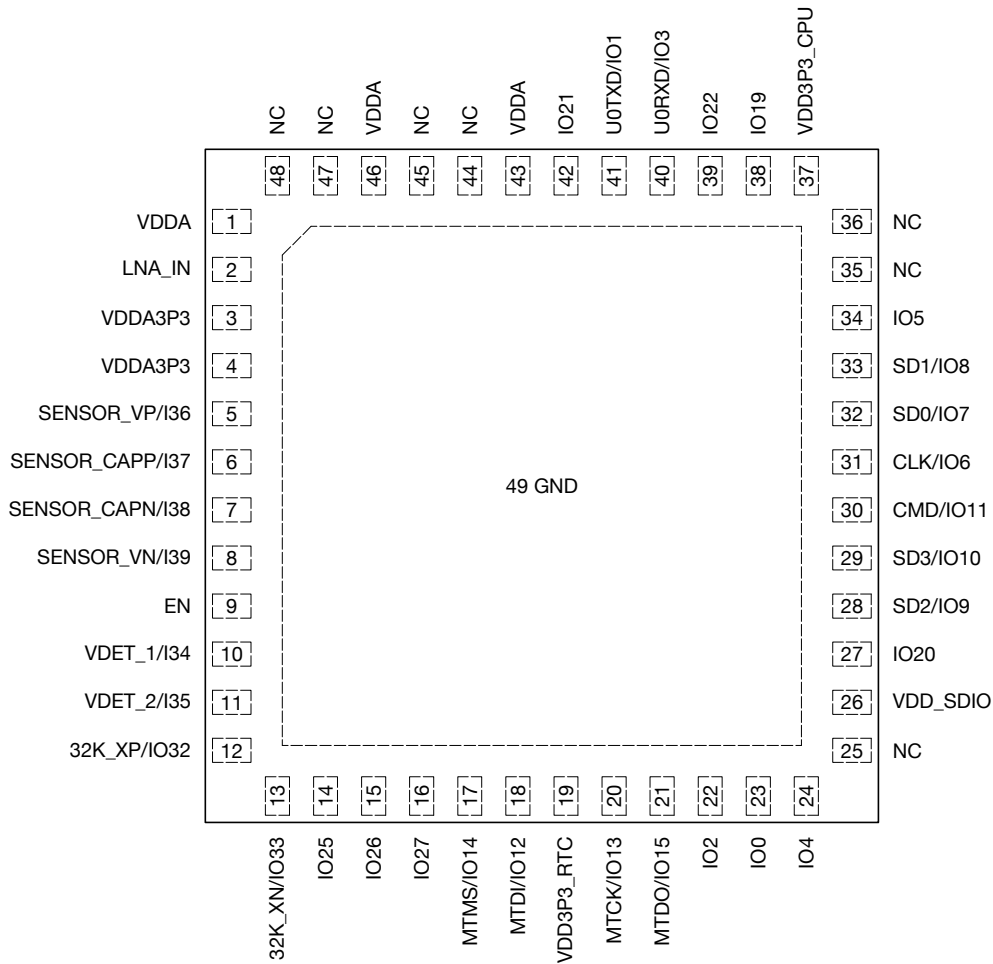


Figure 2: Pin Layout of ESP32-PICO-V3 (Top View)

Note:

The pin diagram shows the approximate location of pins. For the actual mechanical diagram, please refer to Figure 5.

3.2 Pin Description

ESP32-PICO-V3 has 48 pins. See pin definitions in Table 1.

Table 1: Pin Definitions

Name	No.	Type	Function
VDDA	1	P	Analog power supply (3.0 V ~ 3.6 V)
LNA_IN	2	I/O	RF input and output
VDDA3P3	3	P	Analog power supply (3.0 V ~ 3.6 V)

Name	No.	Type	Function
VDDA3P3	4	P	Analog power supply (3.0 V ~ 3.6 V)
SENSOR_VP/I36	5	I	GPIO36, ADC1_CH0, RTC_GPIO0
SENSOR_CAPP/I37	6	I	GPIO37, ADC1_CH1, RTC_GPIO1
SENSOR_CAPN/I38	7	I	GPIO38, ADC1_CH2, RTC_GPIO2
SENSOR_VN/I39	8	I	GPIO39, ADC1_CH3, RTC_GPIO3
EN	9	I	High: On; enables the SiP Low: Off; the SiP powers off Note: Do not leave this pin floating.
VDET_1/I34	10	I	ADC1_CH6, RTC_GPIO4
VDET_2/I35	11	I	ADC1_CH7, RTC_GPIO5
32K_XP/IO32	12	I/O	32K_XP (32.768 kHz crystal oscillator input), ADC1_CH4, TOUCH9, RTC_GPIO9
32K_XN/IO33	13	I/O	32K_XN (32.768 kHz crystal oscillator output), ADC1_CH5, TOUCH8, RTC_GPIO8
IO25	14	I/O	GPIO25, DAC_1, ADC2_CH8, RTC_GPIO6, EMAC_RXD0
IO26	15	I/O	GPIO26, DAC_2, ADC2_CH9, RTC_GPIO7, EMAC_RXD1
IO27	16	I/O	GPIO27, ADC2_CH7, TOUCH7, RTC_GPIO17, EMAC_RX_DV
MTMS/IO14	17	I/O	ADC2_CH6, TOUCH6, RTC_GPIO16, MTMS, HSPICLK, HS2_CLK, SD_CLK, EMAC_TXD2
MTDI/IO12	18	I/O	ADC2_CH5, TOUCH5, RTC_GPIO15, MTDI, HSPIQ, HS2_DATA2, SD_DATA2, EMAC_TXD3
VDD3P3_RTC	19	P	Input power supply for RTC IO (3.0 V ~ 3.6 V)
MTCK/IO13	20	I/O	ADC2_CH4, TOUCH4, RTC_GPIO14, MTCK, HSPID, HS2_DATA3, SD_DATA3, EMAC_RX_ER
MTDO/IO15	21	I/O	ADC2_CH3, TOUCH3, RTC_GPIO13, MTDO, HSPICS0, HS2_CMD, SD_CMD, EMAC_RXD3
IO2	22	I/O	ADC2_CH2, TOUCH2, RTC_GPIO12, HSPIWP, HS2_DATA0, SD_DATA0
IO0	23	I/O	ADC2_CH1, TOUCH1, RTC_GPIO11, CLK_OUT1, EMAC_TX_CLK
IO4	24	I/O	ADC2_CH0, TOUCH0, RTC_GPIO10, HSPIHD, HS2_DATA1, SD_DATA1, EMAC_TX_ER
NC	25	—	NC
VDD_SDIO	26	P	Output power supply. See note 1 under the table.
IO20	27	I/O	GPIO20. See note 3 under the table.
SD2/IO9	28	I/O	GPIO9, SD_DATA2, HS1_DATA2, U1RXD. See note 3 under the table.
SD3/IO10	29	I/O	GPIO10, SD_DATA3, HS1_DATA3, U1TXD. See note 3 under the table.
CMD/IO11	30	I/O	See note 2 , note 3 under the table.
CLK/IO6	31	I/O	See note 2 , note 3 under the table.
SD0/IO7	32	I/O	GPIO7, SD_DATA0, HS1_DATA0, U2RTS. See note 3 under the table.
SD1/IO8	33	I/O	GPIO8, SD_DATA1, HS1_DATA1, U2CTS. See note 3 under the table.
IO5	34	I/O	GPIO5, VSPICS0, HS1_DATA6, EMAC_RX_CLK
NC	35	—	NC
NC	36	—	NC
VDD3P3_CPU	37	P	Input power supply for CPU IO (1.8 V ~ 3.6 V)

Name	No.	Type	Function
IO19	38	I/O	GPIO19, VSPIQ, U0CTS, EMAC_TXD0
IO22	39	I/O	GPIO22, VSPIWP, U0RTS, EMAC_TXD1
U0RXD/IO3	40	I/O	GPIO3, U0RXD, CLK_OUT2
U0TXD/IO1	41	I/O	GPIO1, U0TXD, CLK_OUT3, EMAC_RXD2
IO21	42	I/O	GPIO21, VSPIHD, EMAC_TX_EN
VDDA	43	P	Analog power supply (3.0 V ~ 3.6 V)
NC	44	—	NC
NC	45	—	NC
VDDA	46	P	Analog power supply (3.0 V ~ 3.6 V)
NC	47	—	NC
NC	48	—	NC

Notice:

- Note that the embedded flash is connected to VDD_SDIO which is driven directly by VDD3P3_RTC through a 6 Ω resistor. Due to this resistor, there is some voltage drop on this pin from VDD3P3_RTC.
- Pins CMD/IO11 and CLK/IO6 are used for connecting the embedded flash, and are not recommended for other uses. For details, please see Section 5 Schematics.
- IO6/IO7/IO8/IO9/IO10/IO11/IO20 belong to VDD_SDIO power domain and cannot work when VDD_SDIO power shuts down.
- For peripheral pin configurations, please refer to [ESP32 Datasheet](#).

3.3 Compatibility with ESP32-PICO-D4

ESP32-PICO-V3 is a new product but it is very similar to ESP32-PICO-D4. It may be possible to update an ESP32-PICO-D4 hardware design to use ESP32-PICO-V3 with minimal or no hardware changes, but please pay attention to the following:

- Usage of six pins has changed:

Table 2: Usage of Pins on ESP32-PICO-V3 and ESP32-PICO-D4

Pin No.	ESP32-PICO-V3	ESP32-PICO-D4
25	Not connected	GPIO16, used by embedded flash
27	GPIO20, can be used	GPIO17, used by embedded flash
32	SD0 (GPIO7), can be used	SD0 (GPIO7), used by embedded flash
33	SD1 (GPIO8), can be used	SD1 (GPIO8), used by embedded flash
35	Not connected	GPIO18, can be used
36	Not connected	GPIO23, can be used

- None of the embedded flash data pins are connected externally on ESP32-PICO-V3. These are connected internally to GPIO16, GPIO17, GPIO18, and GPIO23.
- It is not possible to connect an external PSRAM chip to ESP32-PICO-V3.
- If a 32.768 kHz crystal is connected to ESP32-PICO-D4 then please refer to [ESP32 ECO V3 User Guide](#) for

information about necessary hardware changes for ESP32-PICO-V3.

- Refer to [ESP32 ECO V3 User Guide](#) for information about possible software changes and optimizations for ESP32 ECO V3.
- EMC compliance and RF performance tests should be repeated after a design is updated to use ESP32-PICO-V3.
- Refer to [ESP32-PICO-D4 Datasheet](#) for more information about ESP32-PICO-D4.

3.4 Strapping Pins

ESP32 has five strapping pins: MTDI, GPIO0, GPIO2, MTDO, GPIO5. The pin-pin mapping between ESP32 and the SiP is as follows, which can be seen in Chapter 5 *Schematics*:

- MTDI = IO12
- GPIO0 = IO0
- GPIO2 = IO2
- MTDO = IO15
- GPIO5 = IO5

Software can read the values of these five bits from register "GPIO_STRAPPING".

During the chip's system reset release (power-on-reset, RTC watchdog reset and brownout reset), the latches of the strapping pins sample the voltage level as strapping bits of "0" or "1", and hold these bits until the chip is powered down or shut down. The strapping bits configure the device's boot mode, the operating voltage of VDD_SDIO and other initial system settings.

Each strapping pin is connected to its internal pull-up/pull-down during the chip reset. Consequently, if a strapping pin is unconnected or the connected external circuit is high-impedance, the internal weak pull-up/pull-down will determine the default input level of the strapping pins.

To change the strapping bit values, users can apply the external pull-down/pull-up resistances, or use the host MCU's GPIOs to control the voltage level of these pins when powering on ESP32.

After reset release, the strapping pins work as normal-function pins.

Refer to Table 3 for a detailed boot-mode configuration by strapping pins.

Table 3: Strapping Pins

Voltage of Internal LDO (VDD_SDIO)			
Pin	Default	3.3 V	1.8 V
MTDI	Pull-down	0	1
Bootling Mode			
Pin	Default	SPI Boot	Download Boot
GPIO0	Pull-up	1	0
GPIO2	Pull-down	Don't-care	0
Enabling/Disabling Debugging Log Print over U0TXD During Bootling			
Pin	Default	U0TXD Active	U0TXD Silent
MTDO	Pull-up	1	0
Timing of SDIO Slave			

Pin	Default	FE Sampling FE Output	FE Sampling RE Output	RE Sampling FE Output	RE Sampling RE Output
MTDO	Pull-up	0	0	1	1
GPIO5	Pull-up	0	1	0	1

Note:

- FE: falling-edge, RE: rising-edge.
- Firmware can configure register bits to change the settings of "Voltage of Internal LDO (VDD_SDIO)" and "Timing of SDIO Slave", after booting.
- The operating voltage of ESP32-PICO-V3's integrated external SPI flash is 3.3 V. Therefore, the strapping pin MTDI should hold bit "0" during the SiP power-on reset.

4 Electrical Characteristics

4.1 Absolute Maximum Ratings

Stresses beyond the absolute maximum ratings listed in the table below may cause permanent damage to the device. These are stress ratings only, and do not refer to the functional operation of the device that should follow the [recommended operating conditions](#).

Table 4: Absolute Maximum Ratings

Symbol	Parameter	Min	Max	Unit
VDD33	Power supply voltage	-0.3	3.6	V
T _{STORE}	Storage temperature	-40	85	°C

Note:

Please see Appendix IO_MUX of [ESP32 Datasheet](#) for IO's power domain.

4.2 Recommended Operating Conditions

Table 5: Recommended Operating Conditions

Symbol	Parameter	Min	Typ	Max	Unit
VDD33	Power supply voltage	3.0	3.3	3.6	V
I _{VDD}	Current delivered by external power supply	0.5	—	—	A
T	Operating ambient temperature	-40	—	85	°C

4.3 DC Characteristics (3.3 V, 25 °C)

Table 6: DC Characteristics (3.3 V, 25 °C)

Symbol	Parameter	Min	Typ	Max	Unit
C _{IN}	Pin capacitance	-	2	-	pF
V _{IH}	High-level input voltage	0.75×VDD ¹	-	VDD ¹ +0.3	V
V _{IL}	Low-level input voltage	-0.3	-	0.25×VDD ¹	V
I _{IH}	High-level input current	-	-	50	nA
I _{IL}	Low-level input current	-	-	50	nA
V _{OH}	High-level output voltage	0.8×VDD ¹	-	-	V
V _{OL}	Low-level output voltage	-	-	0.1×VDD ¹	V

Symbol	Parameter	Min	Typ	Max	Unit	
I_{OH}	High-level source current ($V_{DD}^1 = 3.3\text{ V}$, $V_{OH} \geq 2.64\text{ V}$, output drive strength set to the maximum)	VDD3P3_CPU power domain ^{1, 2}	-	40	-	mA
		VDD3P3_RTC power domain ^{1, 2}	-	40	-	mA
		VDD_SDIO power domain ^{1, 3}	-	20	-	mA
I_{OL}	Low-level sink current ($V_{DD}^1 = 3.3\text{ V}$, $V_{OL} = 0.495\text{ V}$, output drive strength set to the maximum)	-	28	-	mA	
R_{PU}	Resistance of internal pull-up resistor	-	45	-	$k\Omega$	
R_{PD}	Resistance of internal pull-down resistor	-	45	-	$k\Omega$	
V_{IL_nRST}	Low-level input voltage of CHIP_PU to power off the chip	-	-	0.6	V	

Note:

1. Please see Appendix IO_MUX of [ESP32 Datasheet](#) for IO's power domain. VDD is the I/O voltage for a particular power domain of pins.
2. For VDD3P3_CPU and VDD3P3_RTC power domain, per-pin current sourced in the same domain is gradually reduced from around 40 mA to around 29 mA, $V_{OH} \geq 2.64\text{ V}$, as the number of current-source pins increases.
3. Pins occupied by flash and/or PSRAM in the VDD_SDIO power domain were excluded from the test.

4.4 Current Consumption Characteristics

With the use of advanced power-management technologies, ESP32 can switch between different power modes.

For details on different power modes, please refer to Section *RTC and Low-Power Management* in [ESP32 Datasheet](#).

Table 7: Current Consumption Depending on RF Modes

Work mode	Description		Average (mA)	Peak (mA)
Active (RF working)	TX	802.11b, 20 MHz, 1 Mbps, @19.5 dBm	233	368
		802.11g, 20 MHz, 54 Mbps, @14 dBm	181	258
		802.11n, 20 MHz, MCS7, @13 dBm	178	248
		802.11n, 40 MHz, MCS7, @13 dBm	162	205
	RX	802.11b/g/n, 20 MHz	110	111
		802.11n, 40 MHz	116	117

Note:

- The current consumption measurements are taken with a 3.3 V supply at 25 °C of ambient temperature at the RF port. All transmitter measurements are based on a 50% duty cycle.
- The current consumption figures for in RX mode are for cases when the peripherals are disabled and the CPU idle.

Table 8: Current Consumption Depending on Work Modes

Work mode	Description		Current consumption (Typ)
Modem-sleep	The CPU is powered on	240 MHz	30 ~ 68 mA
		160 MHz	27 ~ 44 mA
		Normal speed: 80 MHz	20 ~ 31 mA
Light-sleep	—		0.8 mA
Deep-sleep	The ULP co-processor is powered on.		150 μ A
	ULP sensor-monitored pattern		100 μ A @1% duty
	RTC timer + RTC memory		10 μ A
	RTC timer only		5 μ A
Power off	CHIP_PU is set to low level, the chip is powered off.		1 μ A

Note:

- The current consumption figures in Modem-sleep mode are for cases where the CPU is powered on and the cache idle.
- When Wi-Fi is enabled, the chip switches between Active and Modem-sleep modes. Therefore, current consumption changes accordingly.
- In Modem-sleep mode, the CPU frequency changes automatically. The frequency depends on the CPU load and the peripherals used.
- During Deep-sleep, when the ULP co-processor is powered on, peripherals such as GPIO and I²C are able to operate.
- The "ULP sensor-monitored pattern" refers to the mode where the ULP coprocessor or the sensor works periodically. When ADC works with a duty cycle of 1%, the typical current consumption is 100 μ A.

4.5 Wi-Fi RF Characteristics

4.5.1 Wi-Fi RF Standards

Table 9: Wi-Fi RF Standards

Name	Description	
Center frequency range of operating channel *	2412 ~ 2484 MHz	
Wi-Fi wireless standard	IEEE 802.11b/g/n	
Data rate	20 MHz	11b: 1, 2, 5.5 and 11 Mbps 11g: 6, 9, 12, 18, 24, 36, 48, 54 Mbps 11n: MCS0-7, 72.2 Mbps (Max)
	40 MHz	11n: MCS0-7, 150 Mbps (Max)

Note:

Device should operate in the center frequency range allocated by regional regulatory authorities. Target center frequency range is configurable by software.

4.5.2 Transmitter Characteristics

Table 10: Transmitter Characteristics

Parameter	Rate	Typ	Unit
TX Power <i>note</i>	11b, 1 Mbps	19.5	dBm
	11b, 11 Mbps	19.5	
	11g, 6 Mbps	18	
	11g, 54 Mbps	14	
	11n, HT20, MCS0	18	
	11n, HT20, MCS7	13	
	11n, HT40, MCS0	18	
	11n, HT40, MCS7	13	

Note:

Target TX power is configurable based on device or certification requirements.

4.5.3 Receiver Characteristics**Table 11: Receiver Characteristics**

Parameter	Rate	Typ	Unit
RX Sensitivity	1 Mbps	-97	dBm
	2 Mbps	-94	
	5.5 Mbps	-91	
	11 Mbps	-88	
	6 Mbps	-92	
	9 Mbps	-91	
	12 Mbps	-89	
	18 Mbps	-87	
	24 Mbps	-84	
	36 Mbps	-80	
	48 Mbps	-76	
	54 Mbps	-75	
	11n, HT20, MCS0	-91	
	11n, HT20, MCS1	-88	
	11n, HT20, MCS2	-85	
	11n, HT20, MCS3	-83	
	11n, HT20, MCS4	-80	
	11n, HT20, MCS5	-75	
	11n, HT20, MCS6	-74	
	11n, HT20, MCS7	-72	
	11n, HT40, MCS0	-88	
	11n, HT40, MCS1	-85	
	11n, HT40, MCS2	-82	
	11n, HT40, MCS3	-80	
	11n, HT40, MCS4	-76	
	11n, HT40, MCS5	-72	

Parameter	Rate	Typ	Unit
	11n, HT40, MCS6	-71	
	11n, HT40, MCS7	-69	
RX Maximum Input Level	11b, 1 Mbps	5	dBm
	11b, 11 Mbps	5	
	11g, 6 Mbps	0	
	11g, 54 Mbps	-8	
	11n, HT20, MCS0	0	
	11n, HT20, MCS7	-8	
	11n, HT40, MCS0	0	
	11n, HT40, MCS7	-8	
Adjacent Channel Rejection	11b, 11 Mbps	35	dB
	11g, 6 Mbps	27	
	11g, 54 Mbps	13	
	11n, HT20, MCS0	27	
	11n, HT20, MCS7	12	
	11n, HT40, MCS0	16	
	11n, HT40, MCS7	7	

4.6 Bluetooth Radio

4.6.1 Receiver – Basic Data Rate

Table 12: Receiver Characteristics – Basic Data Rate

Parameter	Conditions	Min	Typ	Max	Unit
Sensitivity @0.1% BER	-	-90	-89	-88	dBm
Maximum received signal @0.1% BER	-	0	-	-	dBm
Co-channel C/I	-	-	+7	-	dB
Adjacent channel selectivity C/I	F = F0 + 1 MHz	-	-	-6	dB
	F = F0 - 1 MHz	-	-	-6	dB
	F = F0 + 2 MHz	-	-	-25	dB
	F = F0 - 2 MHz	-	-	-33	dB
	F = F0 + 3 MHz	-	-	-25	dB
	F = F0 - 3 MHz	-	-	-45	dB
Out-of-band blocking performance	30 MHz ~ 2000 MHz	-10	-	-	dBm
	2000 MHz ~ 2400 MHz	-27	-	-	dBm
	2500 MHz ~ 3000 MHz	-27	-	-	dBm
	3000 MHz ~ 12.5 GHz	-10	-	-	dBm
Intermodulation	-	-36	-	-	dBm

4.6.2 Transmitter – Basic Data Rate

Table 13: Transmitter Characteristics – Basic Data Rate

Parameter	Conditions	Min	Typ	Max	Unit
RF transmit power (see note under Table 13)	-	-	0	-	dBm
Gain control step	-	-	3	-	dB
RF power control range	-	-12	-	+9	dBm
+20 dB bandwidth	-	-	0.9	-	MHz
Adjacent channel transmit power	$F = F_0 \pm 2 \text{ MHz}$	-	-55	-	dBm
	$F = F_0 \pm 3 \text{ MHz}$	-	-55	-	dBm
	$F = F_0 \pm > 3 \text{ MHz}$	-	-59	-	dBm
$\Delta f_{1\text{avg}}$	-	-	-	155	kHz
$\Delta f_{2\text{max}}$	-	127	-	-	kHz
$\Delta f_{2\text{avg}}/\Delta f_{1\text{avg}}$	-	-	0.92	-	-
ICFT	-	-	-7	-	kHz
Drift rate	-	-	0.7	-	kHz/50 μs
Drift (DH1)	-	-	6	-	kHz
Drift (DH5)	-	-	6	-	kHz

Note:

There are a total of eight power levels from 0 to 7, and the transmit power ranges from -12 dBm to 9 dBm. When the power level rises by 1, the transmit power increases by 3 dB. Power level 4 is used by default and the corresponding transmit power is 0 dBm.

4.6.3 Receiver – Enhanced Data Rate

Table 14: Receiver Characteristics – Enhanced Data Rate

Parameter	Conditions	Min	Typ	Max	Unit
$\pi/4$ DQPSK					
Sensitivity @0.01% BER	-	-90	-89	-88	dBm
Maximum received signal @0.01% BER	-	-	0	-	dBm
Co-channel C/I	-	-	11	-	dB
Adjacent channel selectivity C/I	$F = F_0 + 1 \text{ MHz}$	-	-7	-	dB
	$F = F_0 - 1 \text{ MHz}$	-	-7	-	dB
	$F = F_0 + 2 \text{ MHz}$	-	-25	-	dB
	$F = F_0 - 2 \text{ MHz}$	-	-35	-	dB
	$F = F_0 + 3 \text{ MHz}$	-	-25	-	dB
	$F = F_0 - 3 \text{ MHz}$	-	-45	-	dB
8DPSK					
Sensitivity @0.01% BER	-	-84	-83	-82	dBm
Maximum received signal @0.01% BER	-	-	-5	-	dBm
C/I c-channel	-	-	18	-	dB
Adjacent channel selectivity C/I	$F = F_0 + 1 \text{ MHz}$	-	2	-	dB
	$F = F_0 - 1 \text{ MHz}$	-	2	-	dB
	$F = F_0 + 2 \text{ MHz}$	-	-25	-	dB

Parameter	Conditions	Min	Typ	Max	Unit
	F = F0 - 2 MHz	-	-25	-	dB
	F = F0 + 3 MHz	-	-25	-	dB
	F = F0 - 3 MHz	-	-38	-	dB

4.6.4 Transmitter – Enhanced Data Rate

Table 15: Transmitter Characteristics – Enhanced Data Rate

Parameter	Conditions	Min	Typ	Max	Unit
RF transmit power (see note under Table 13)	-	-	0	-	dBm
Gain control step	-	-	3	-	dB
RF power control range	-	-12	-	+9	dBm
$\pi/4$ DQPSK max w0	-	-	-0.72	-	kHz
$\pi/4$ DQPSK max wi	-	-	-6	-	kHz
$\pi/4$ DQPSK max wi + w0	-	-	-7.42	-	kHz
8DPSK max w0	-	-	0.7	-	kHz
8DPSK max wi	-	-	-9.6	-	kHz
8DPSK max wi + w0	-	-	-10	-	kHz
$\pi/4$ DQPSK modulation accuracy	RMS DEVM	-	4.28	-	%
	99% DEVM	-	100	-	%
	Peak DEVM	-	13.3	-	%
8 DPSK modulation accuracy	RMS DEVM	-	5.8	-	%
	99% DEVM	-	100	-	%
	Peak DEVM	-	14	-	%
In-band spurious emissions	F = F0 \pm 1 MHz	-	-46	-	dBm
	F = F0 \pm 2 MHz	-	-44	-	dBm
	F = F0 \pm 3 MHz	-	-49	-	dBm
	F = F0 +/- > 3 MHz	-	-	-53	dBm
EDR differential phase coding	-	-	100	-	%

4.7 Bluetooth LE Radio

4.7.1 Receiver

Table 16: Receiver Characteristics – Bluetooth LE

Parameter	Conditions	Min	Typ	Max	Unit
Sensitivity @30.8% PER	-	-94	-93	-92	dBm
Maximum received signal @30.8% PER	-	0	-	-	dBm
Co-channel C/I	-	-	+10	-	dB
Adjacent channel selectivity C/I	F = F0 + 1 MHz	-	-5	-	dB
	F = F0 - 1 MHz	-	-5	-	dB
	F = F0 + 2 MHz	-	-25	-	dB
	F = F0 - 2 MHz	-	-35	-	dB

Parameter	Conditions	Min	Typ	Max	Unit
	$F = F_0 + 3 \text{ MHz}$	-	-25	-	dB
	$F = F_0 - 3 \text{ MHz}$	-	-45	-	dB
Out-of-band blocking performance	30 MHz ~ 2000 MHz	-10	-	-	dBm
	2000 MHz ~ 2400 MHz	-27	-	-	dBm
	2500 MHz ~ 3000 MHz	-27	-	-	dBm
	3000 MHz ~ 12.5 GHz	-10	-	-	dBm
Intermodulation	-	-36	-	-	dBm

4.7.2 Transmitter

Table 17: Transmitter Characteristics – Bluetooth LE

Parameter	Conditions	Min	Typ	Max	Unit
RF transmit power (see note under Table 13)	-	-	0	-	dBm
Gain control step	-	-	3	-	dB
RF power control range	-	-12	-	+9	dBm
Adjacent channel transmit power	$F = F_0 \pm 2 \text{ MHz}$	-	-55	-	dBm
	$F = F_0 \pm 3 \text{ MHz}$	-	-57	-	dBm
	$F = F_0 \pm > 3 \text{ MHz}$	-	-59	-	dBm
$\Delta f_{1\text{avg}}$	-	-	-	265	kHz
$\Delta f_{2\text{max}}$	-	210	-	-	kHz
$\Delta f_{2\text{avg}}/\Delta f_{1\text{avg}}$	-	-	+0.92	-	-
ICFT	-	-	-10	-	kHz
Drift rate	-	-	0.7	-	kHz/50 μs
Drift	-	-	2	-	kHz

5 Schematics

This is the reference design of the module.

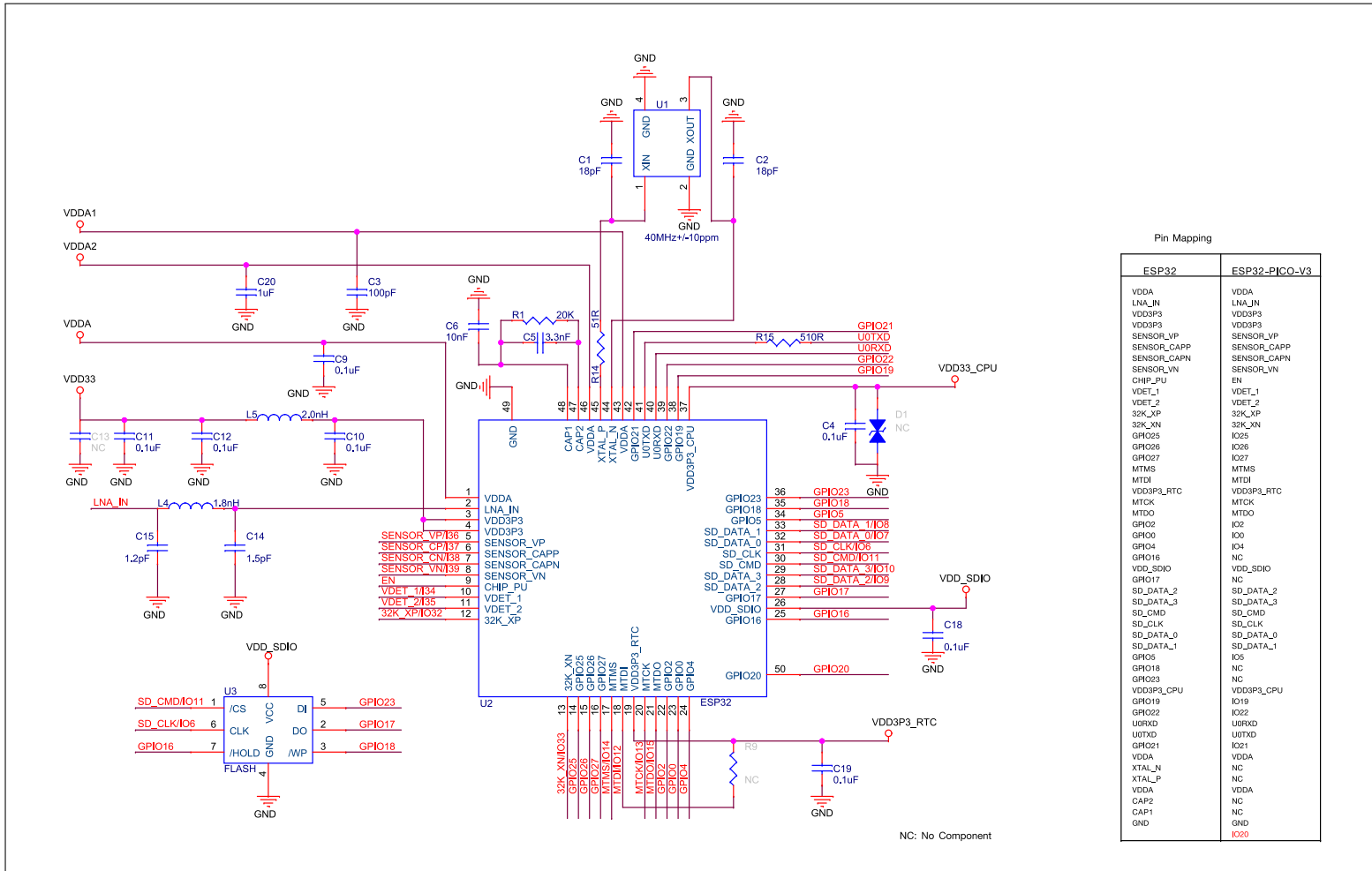


Figure 3: ESP32-PICO-V3 Schematics

6 Peripheral Schematics

This is the typical application circuit of the module connected with peripheral components (for example, power supply, antenna, reset button, JTAG interface, and UART interface).

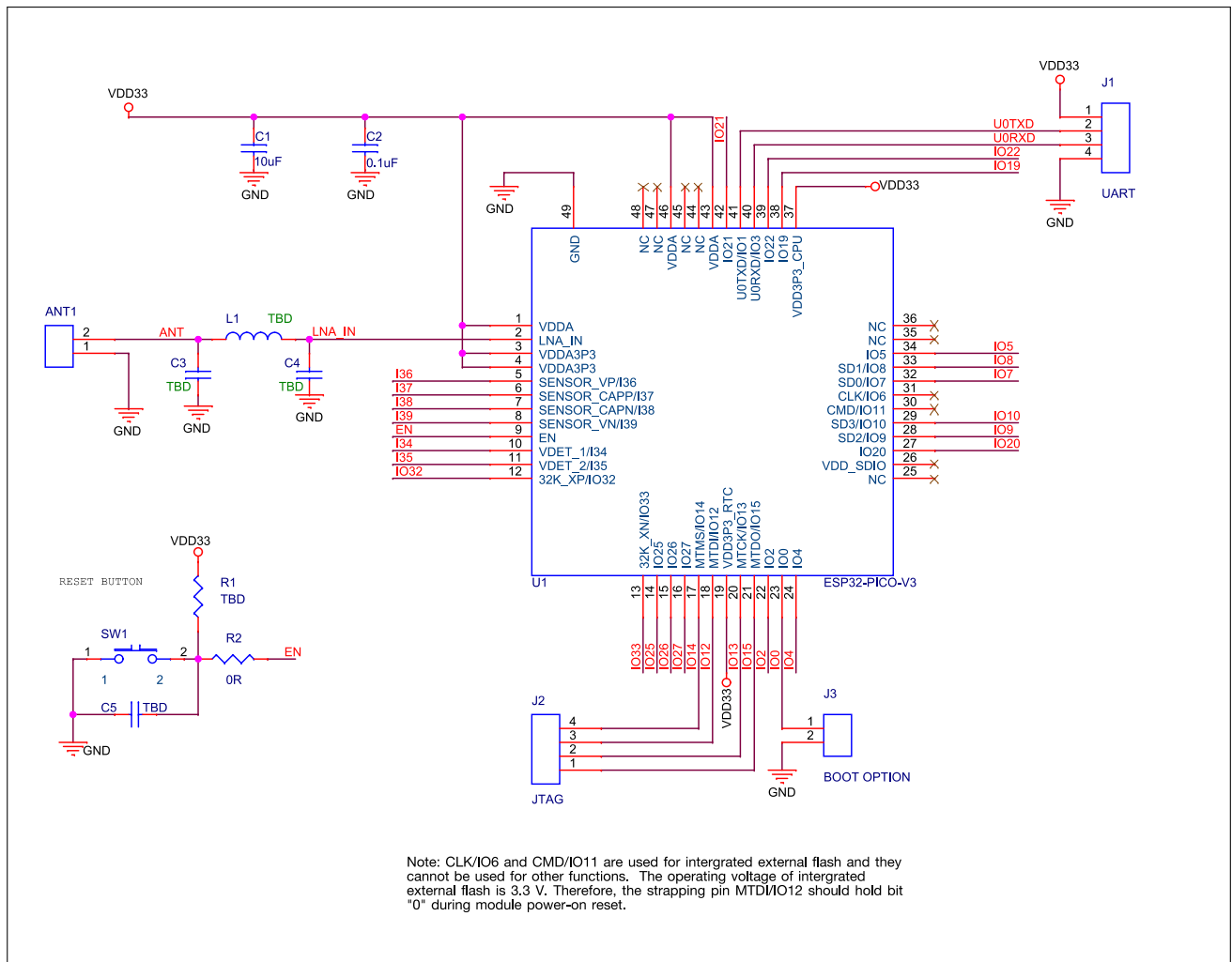


Figure 4: ESP32-PICO-V3 Peripheral Schematics

Note:

To ensure the power supply to the ESP32 chip during power-up, it is advised to add an RC delay circuit at the EN pin. The recommended setting for the RC delay circuit is usually $R = 10\text{ k}\Omega$ and $C = 1\ \mu\text{F}$. However, specific parameters should be adjusted based on the power-up timing of the module and the power-up and reset sequence timing of the chip. For ESP32's power-up and reset sequence timing diagram, please refer to Section *Power Scheme* in [ESP32 Datasheet](#).

7 Package Information

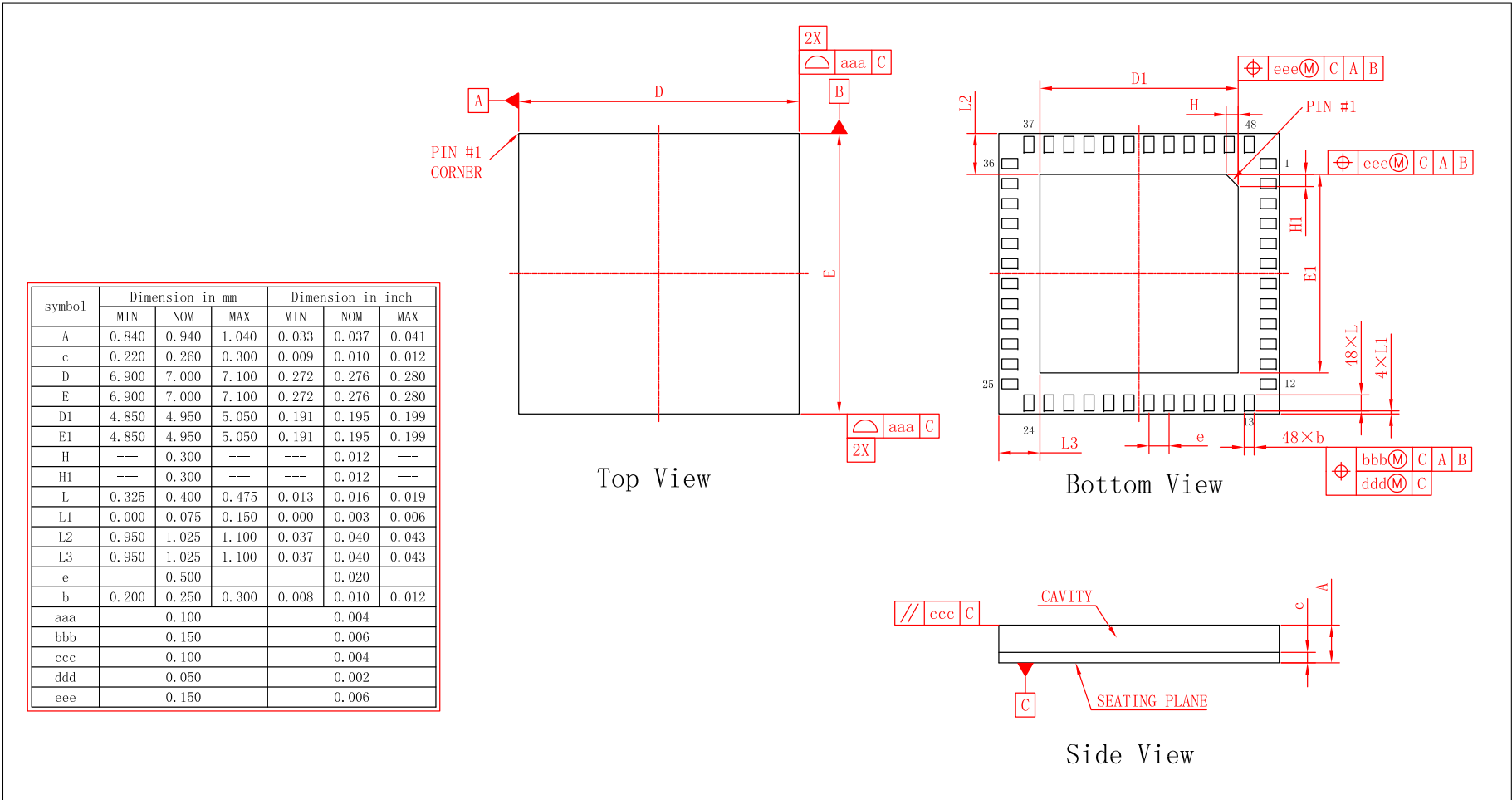


Figure 5: ESP32-PICO-V3 Package

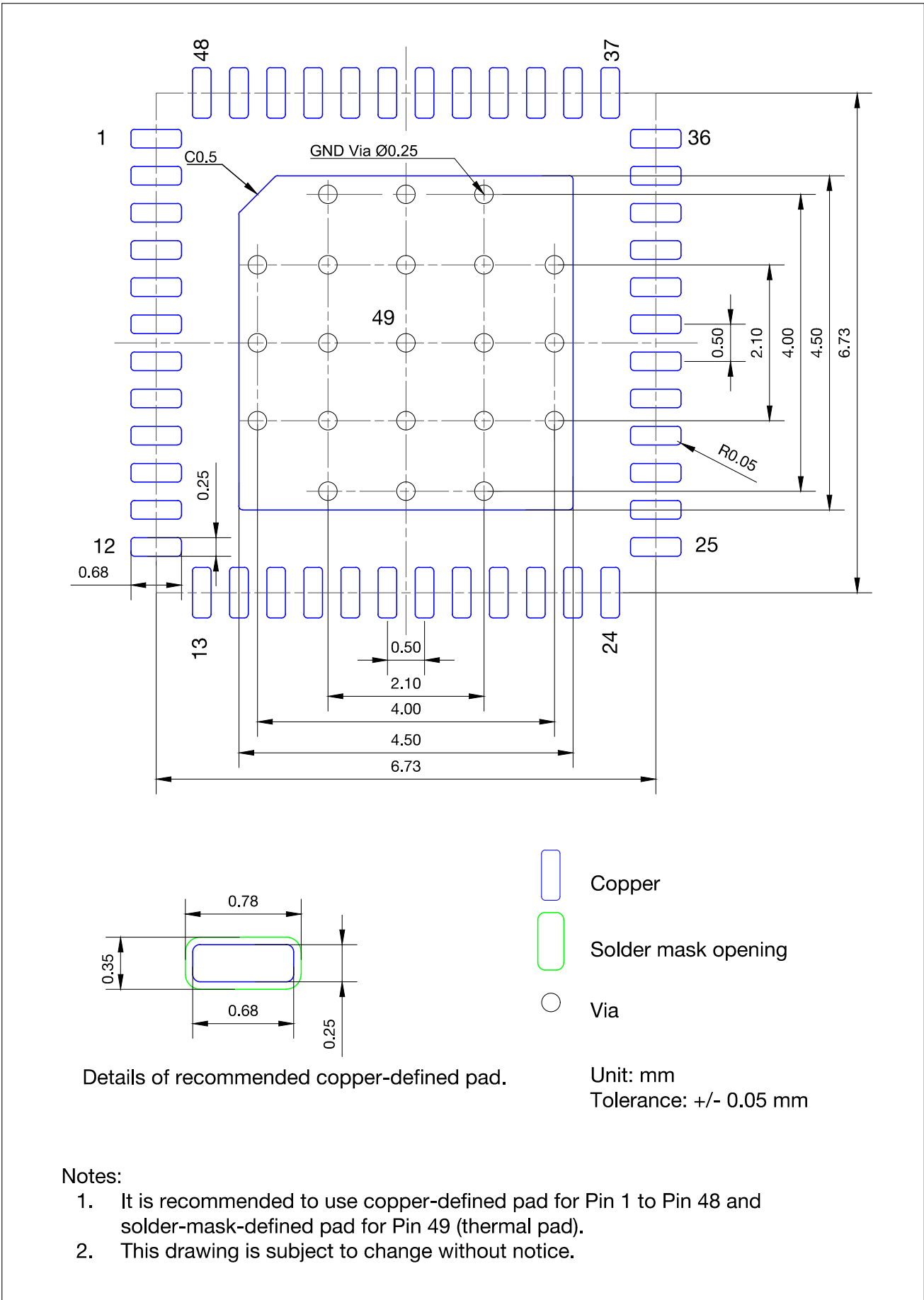
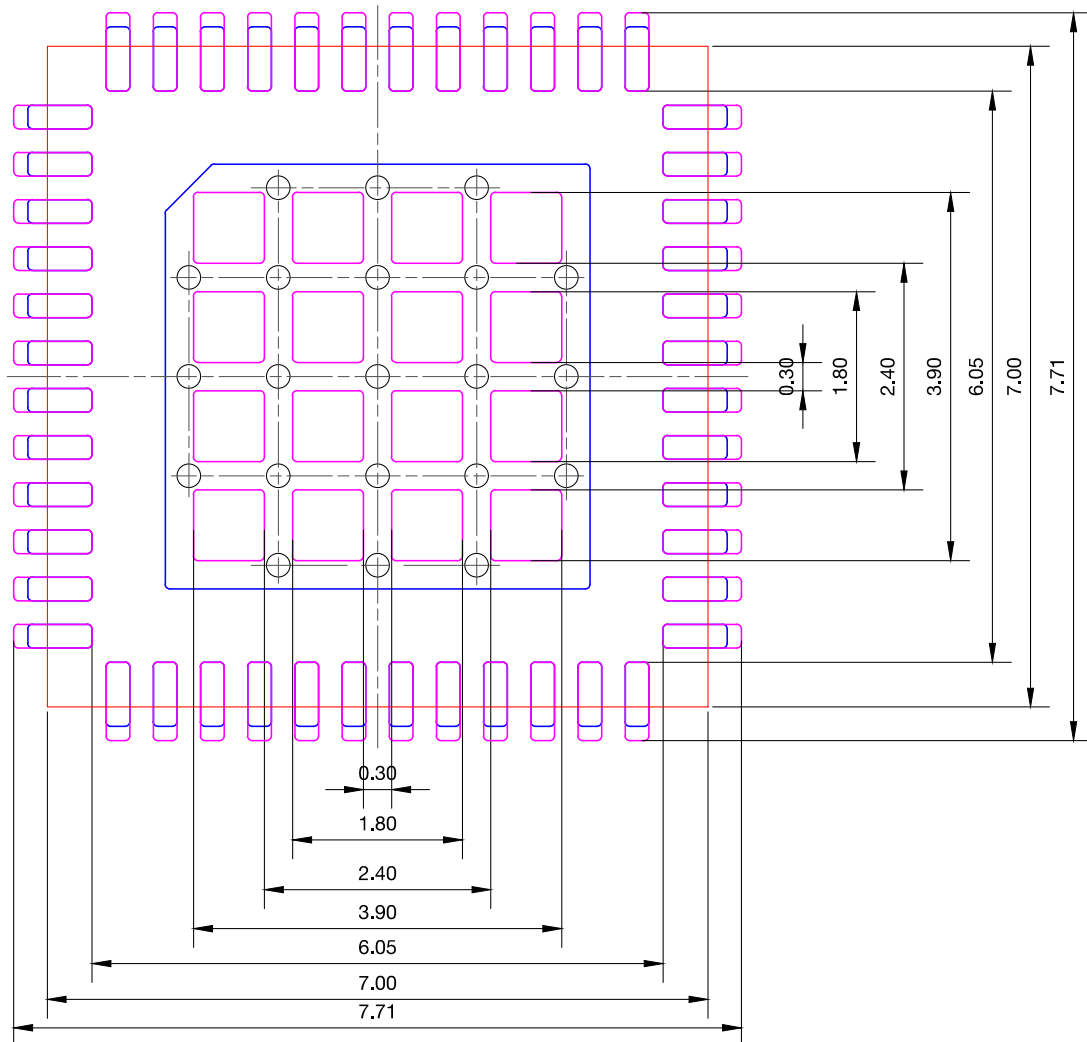


Figure 6: ESP32-PICO-V3 PCB Land Pattern



Notes:

1. It is recommended to use a stencil of 80 μm thickness.
2. This drawing is subject to change without notice.



Copper



Paste mask opening



Recommended via drill size: 0.25 mm

Unit: mm

Tolerance: ± 0.05 mm

Figure 7: ESP32-PICO-V3 STENCIL

8 Product Handling

8.1 Storage Condition

The products sealed in Moisture Barrier Bag (MBB) should be stored in a noncondensing atmospheric environment of $< 40\text{ }^{\circ}\text{C}/90\%\text{ RH}$.

The module is rated at moisture sensitivity level (MSL) 3.

After unpacking, the module must be soldered within 168 hours with factory conditions $25\pm 5\text{ }^{\circ}\text{C}$ and 60% RH.

The module needs to be baked if the above conditions are not met.

8.2 ESD

- Human body model (HBM): $\pm 2000\text{ V}$
- Charged-device model (CDM): $\pm 500\text{ V}$
- Air discharge: $\pm 6000\text{ V}$
- Contact discharge: $\pm 4000\text{ V}$

8.3 Reflow Profile

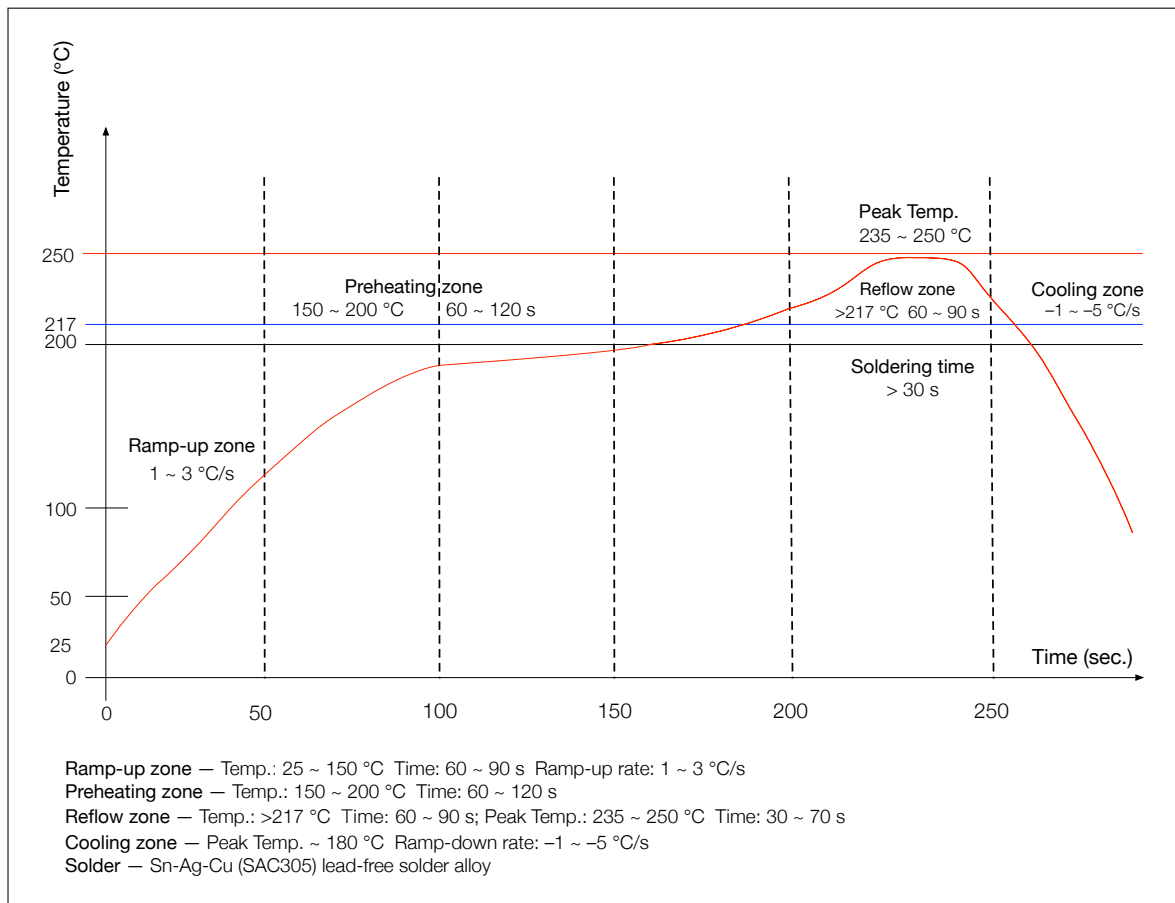


Figure 8: Reflow Profile

Note:

Solder the module in a single reflow.

9 Related Documentation and Resources

Related Documentation

- [ESP32 Technical Reference Manual](#) – Detailed information on how to use the ESP32 memory and peripherals.
- [ESP32 Hardware Design Guidelines](#) – Guidelines on how to integrate the ESP32 into your hardware product.
- [ESP32 ECO and Workarounds for Bugs](#) – Correction of ESP32 design errors.
- *Certificates*
<https://espressif.com/en/support/documents/certificates>
- *ESP32 Product/Process Change Notifications (PCN)*
<https://espressif.com/en/support/documents/pcns>
- *ESP32 Advisories* – Information on security, bugs, compatibility, component reliability.
<https://espressif.com/en/support/documents/advisories>
- *Documentation Updates and Update Notification Subscription*
<https://espressif.com/en/support/download/documents>

Developer Zone

- [ESP-IDF Programming Guide for ESP32](#) – Extensive documentation for the ESP-IDF development framework.
- *ESP-IDF* and other development frameworks on GitHub.
<https://github.com/espressif>
- *ESP32 BBS Forum* – Engineer-to-Engineer (E2E) Community for Espressif products where you can post questions, share knowledge, explore ideas, and help solve problems with fellow engineers.
<https://esp32.com/>
- *The ESP Journal* – Best Practices, Articles, and Notes from Espressif folks.
<https://blog.espressif.com/>
- See the tabs *SDKs and Demos, Apps, Tools, AT Firmware*.
<https://espressif.com/en/support/download/sdks-demos>

Products

- *ESP32 Series SoCs* – Browse through all ESP32 SoCs.
<https://espressif.com/en/products/socs?id=ESP32>
- *ESP32 Series Modules* – Browse through all ESP32-based modules.
<https://espressif.com/en/products/modules?id=ESP32>
- *ESP32 Series DevKits* – Browse through all ESP32-based devkits.
<https://espressif.com/en/products/devkits?id=ESP32>
- *ESP Product Selector* – Find an Espressif hardware product suitable for your needs by comparing or applying filters.
<https://products.espressif.com/#/product-selector?language=en>

Contact Us

- See the tabs *Sales Questions, Technical Enquiries, Circuit Schematic & PCB Design Review, Get Samples* (Online stores), *Become Our Supplier, Comments & Suggestions*.
<https://espressif.com/en/contact-us/sales-questions>

Revision History

Date	Version	Release notes
2022-03-29	v1.3	Updated the description of TWAI in Section 1.1 Updated Table 5 Upgraded document formatting
2021-02-09	V1.2	Deleted Reset Circuit and Discharge Circuit for VDD33 Rail. Modified the note below Figure 8: <i>Reflow Profile</i> . Updated the trade mark from TWAI™ to TWAI®.
2020-11-27	V1.1	Added TWAI™ in Section 1.1. Updated the C value in RC delay circuit from 0.1 μ F to 1 μ F. Updated Figure 6 and Figure 7.
2020-04-16	V1.0	First release



www.espressif.com

Disclaimer and Copyright Notice

Information in this document, including URL references, is subject to change without notice.

ALL THIRD PARTY'S INFORMATION IN THIS DOCUMENT IS PROVIDED AS IS WITH NO WARRANTIES TO ITS AUTHENTICITY AND ACCURACY.

NO WARRANTY IS PROVIDED TO THIS DOCUMENT FOR ITS MERCHANTABILITY, NON-INFRINGEMENT, FITNESS FOR ANY PARTICULAR PURPOSE, NOR DOES ANY WARRANTY OTHERWISE ARISING OUT OF ANY PROPOSAL, SPECIFICATION OR SAMPLE.

All liability, including liability for infringement of any proprietary rights, relating to use of information in this document is disclaimed. No licenses express or implied, by estoppel or otherwise, to any intellectual property rights are granted herein.

The Wi-Fi Alliance Member logo is a trademark of the Wi-Fi Alliance. The Bluetooth logo is a registered trademark of Bluetooth SIG.

All trade names, trademarks and registered trademarks mentioned in this document are property of their respective owners, and are hereby acknowledged.

Copyright © 2022 Espressif Systems (Shanghai) Co., Ltd. All rights reserved.