

Keywords: battery backup, power switching, external power sources, battery switchover, switchover

APPLICATION NOTE 1136

Switching Between Battery and External Power Sources

Jun 27, 2002

Abstract: The following application note discusses a circuit that switches power sources efficiently without switching noise using the MAX6326. It discusses the advantages of using this technique over a simple diode-ord method.

A similar version of this article appeared in the May 13, 2002 issue of *Electronic Design* magazine.

Portable equipment that can operate from a battery pack or an external power source (such as a wall-adaptor or external supply) needs to be able to smoothly switch between the two power sources. This application note describes a circuit (**Figure 1**) that switches power sources with good efficiency and without switching noise.

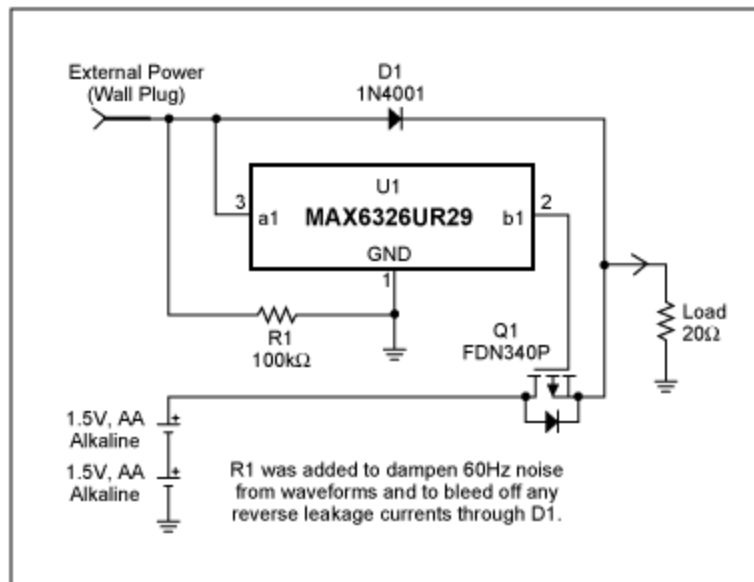


Figure 1. This circuit provides battery/wall-source switchover while debouncing the wall-source output.

Power Switching Problems

Two problems are addressed. First, contact bounce effects can occur when the external source is

connected and disconnected, resulting in power spikes, as shown in **Figure 2**. Second, the switching method can introduce a voltage drop, reducing efficiency and battery life.

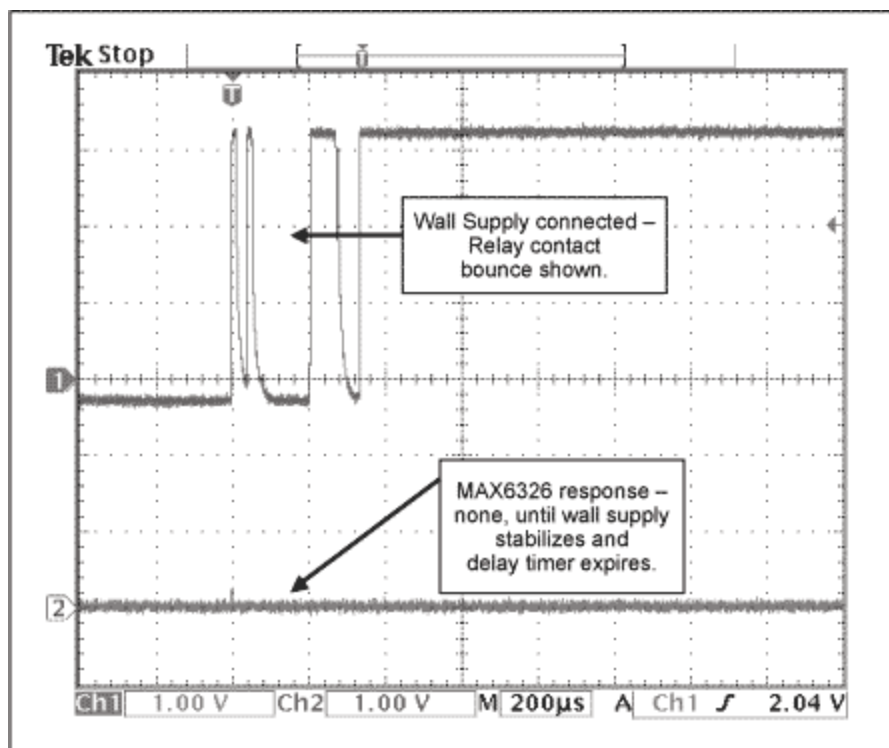


Figure 2. In Figure 1, the U1 output (bottom trace) remains unaffected as the wall-source voltage (top trace) is asserted.

Reducing Voltage Drop

A diode-OR connection is a common solution but the forward voltage drop of the diode limits efficiency. For a small battery pack of one to three cells, the voltage drop for a standard diode (0.6V to 0.7V) is a large percentage of the battery's terminal voltage. The use of a Schottky diode (0.3V to 0.5V drop) improves matters somewhat, but a FET switch can reduce the drop to less than 0.1V.

The FET shown in Figure 1 was selected for its low $R_{ds(on)}$ and low V_{gs} , which is specified down to 1.8V. Thus, the FET can respond to a nearly discharged battery pack of two AA cells (0.9V each).

Reducing Switching Noise

The microprocessor-supervisory circuit (U1 in Figure 1) acts as a wall-source detector and debouncer. It monitors the wall supply and switches from battery power to the wall supply only when the wall supply is stable and has been at or above U1's trip voltage for a period of time. The battery will be back-driven (charged) during this delay period, which is typically 185mS. In Figure 1, note the effect on load voltage when switching from the battery to the wall supply (**Figure 3**) and vice versa (**Figure 4**).

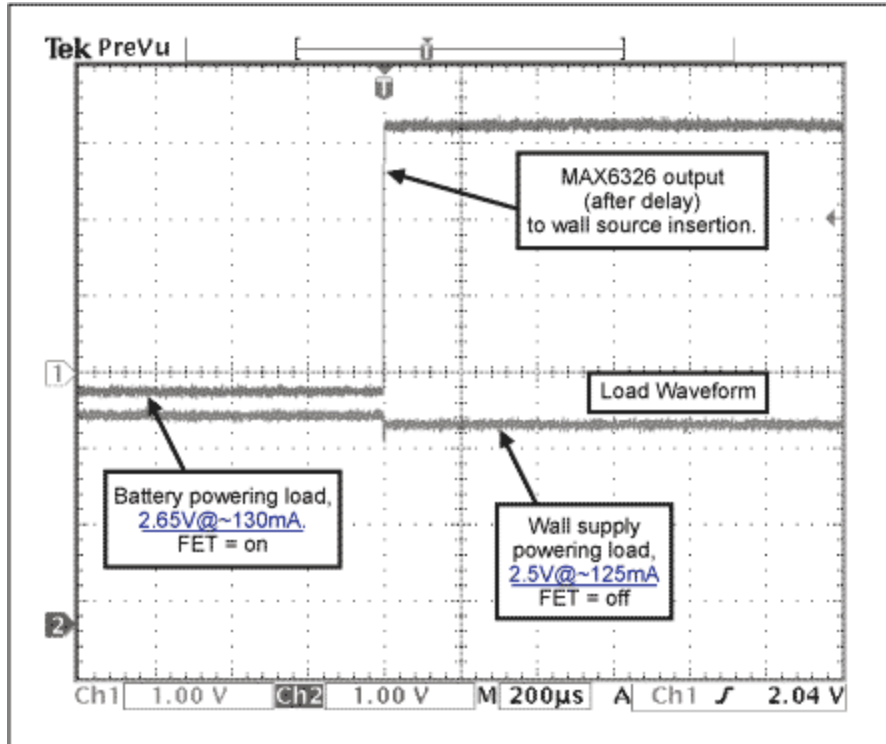


Figure 3. A 20Ω load in Figure 1 (bottom trace) registers a slight mismatch as the wall supply takes over from the battery, indicated (top trace) by the change in U1 output.

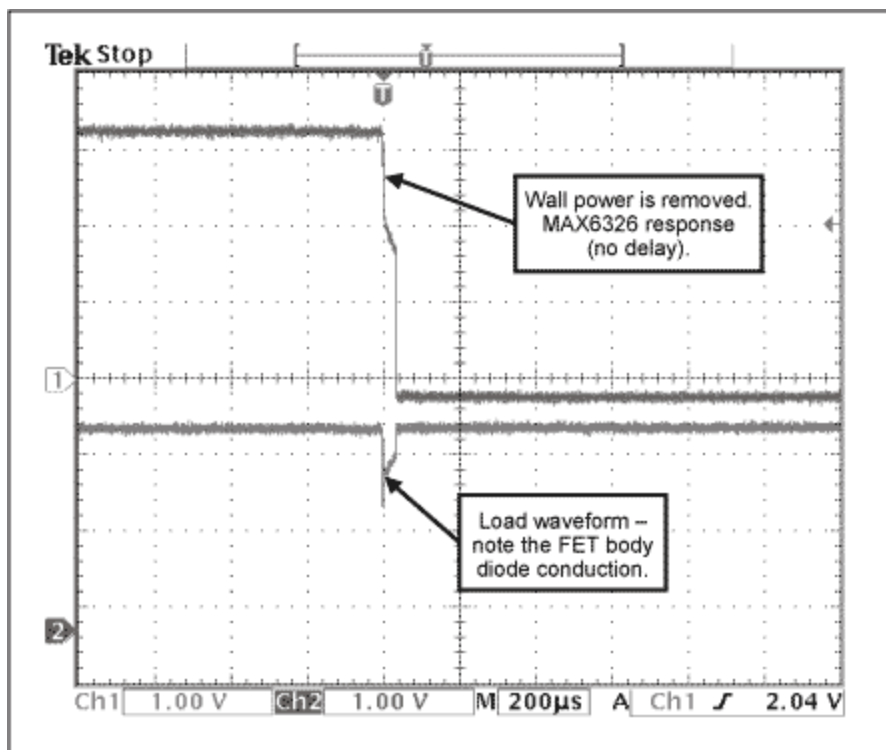


Figure 4. As wall power is removed in Figure 1 (indicated by U1's response in the top trace), the load response (bottom trace) shows the effect of a voltage drop across Q1's body diode.

U1's push-pull active-low output drives the gate of Q1 directly, without external components. If U1's time-out delay is too long, consider the pin-compatible MAX6801 (SOT23 package) or MAX6381 (SC70 package), which offer delay options of 1mS, 20mS, and higher. Another pin-compatible option is the MAX6375 voltage detector (SC-70 package). It provides no time-out delay, but incurs minimal back-drive effects on the battery.

Note that Q1 is reverse-connected with its drain to the battery and its source to the load, which allows its internal body diode to provide the initial current path to the load. At the same time, it blocks the wall supply from uncontrolled charging (back-driving) of the AA cells when Q1 is turned off.

Related Parts		
MAX6326	3-Pin, Ultra-Low-Power SC70/SOT μ P Reset Circuits	Free Samples
MAX6375	3-Pin, Ultra-Low-Power SC70/SOT23 Voltage Detectors	Free Samples
MAX6381	SC70/ μ DFN, Single/Dual Low-Voltage, Low-Power μ P Reset Circuits	Free Samples
MAX6801	3-Pin, Low-Power μ P Reset Circuits	Free Samples

More Information

For Technical Support: <http://www.maximintegrated.com/support>

For Samples: <http://www.maximintegrated.com/samples>

Other Questions and Comments: <http://www.maximintegrated.com/contact>

Application Note 1136: <http://www.maximintegrated.com/an1136>

APPLICATION NOTE 1136, AN1136, AN 1136, APP1136, Appnote1136, Appnote 1136

Copyright © by Maxim Integrated Products

Additional Legal Notices: <http://www.maximintegrated.com/legal>