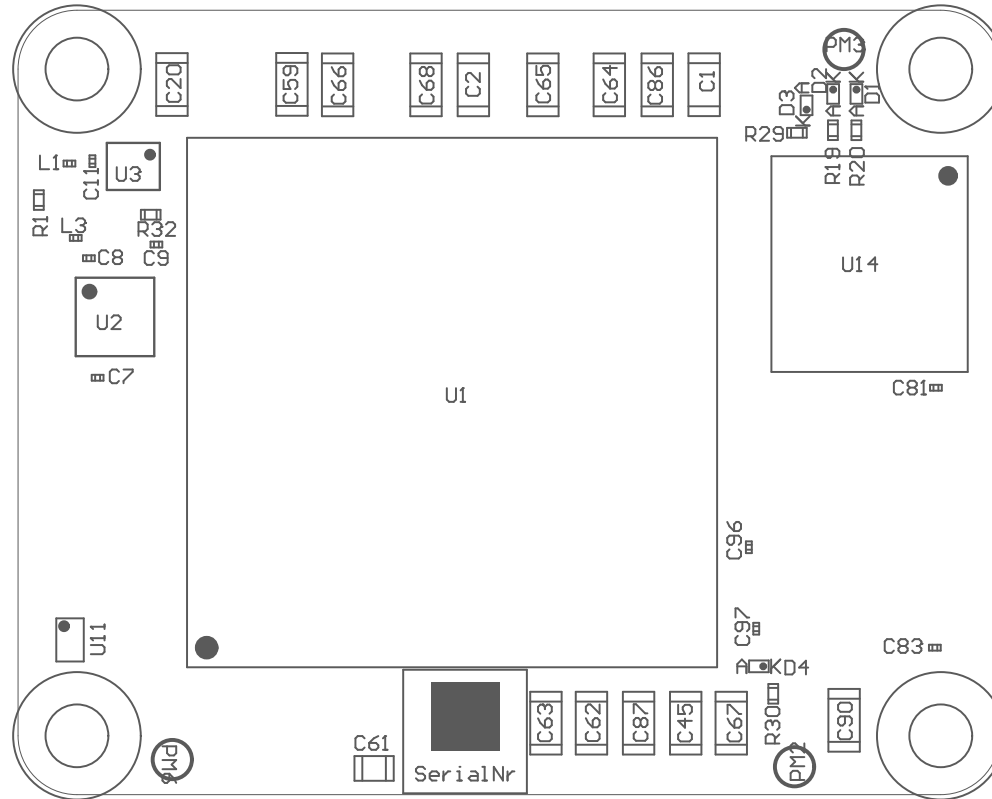


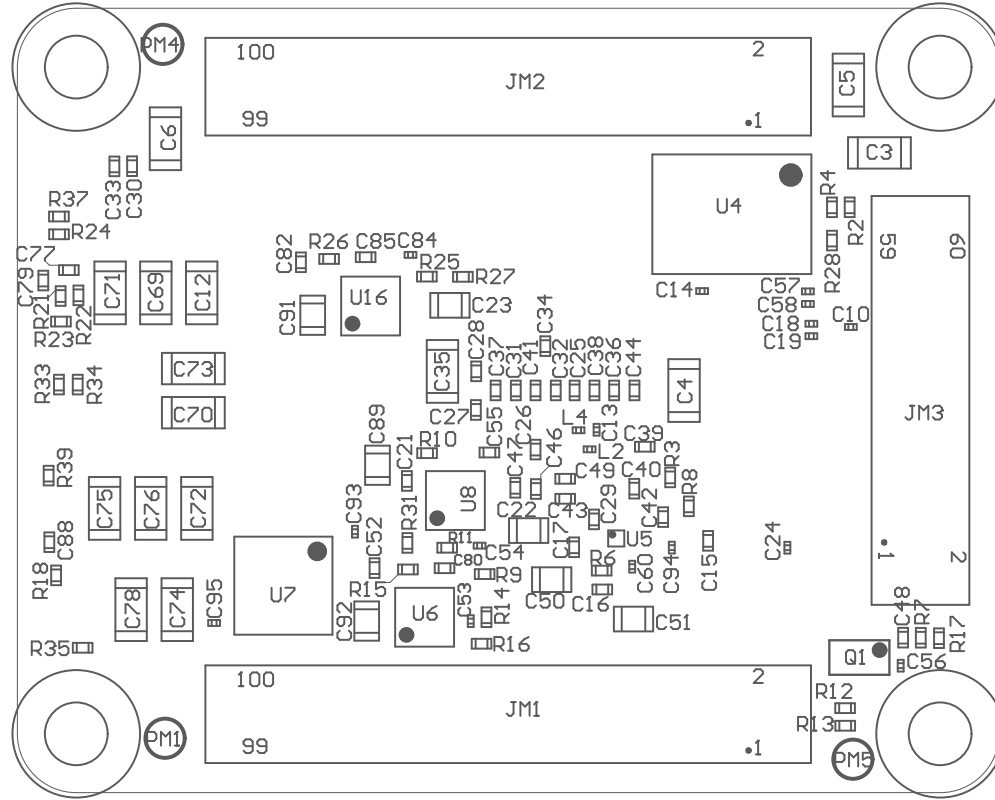
Variant name: TE0741-03-070-2IF

Top View



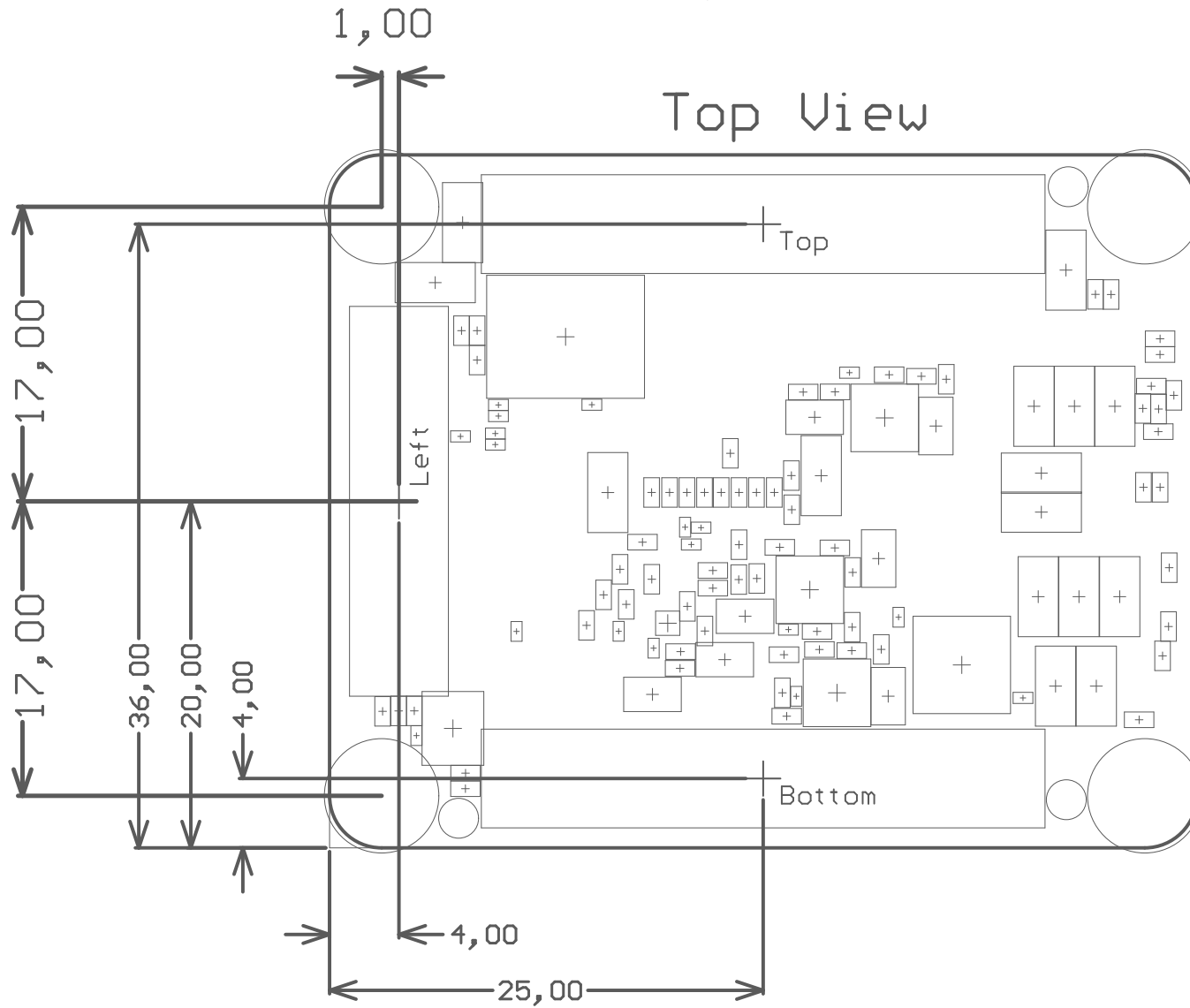
Variant name: TE0741-03-070-2IF

Bottom View



Top View

Top View



Samtec Connectors