

Keywords: comparator, hysteresis, threshold, trip voltage

APPLICATION NOTE 3616

Adding Extra Hysteresis to Comparators

Sep 19, 2005

Abstract: Analog comparators are always in the shadow of their more popular cousin, the ubiquitous op amp. Designers can draw on a wealth of application notes for op amps, but not so for comparators. One consequence of that scarcity is that customers call the Maxim applications line for help when adding comparator hysteresis. This note explains how to add hysteresis to some common comparator circuits, providing increased noise immunity and stability.

A discussion of comparator hysteresis begins with a definition of the word. Like so many other scientific words, it is derived from the Greek. In this case, it means to lag behind or follow, or to offer resistance to change from a previous state. We use it in engineering to describe an operation that is not symmetrical, i.e., its path from A to B is not the same as from B to A. Hysteresis is found in the phenomena of magnetism and nonplastic deformation, and in electronic circuits such as comparators.

Hysteresis is designed into most comparators, usually with a value of 5mV to 10mV. Internal hysteresis helps the comparator avoid oscillation due to small amounts of parasitic feedback. Though sufficient to prevent the comparator from self-oscillating, such internal hysteresis can easily be swamped by any external noise of greater amplitude. In that case, you can improve performance by adding hysteresis externally.

First, consider the transfer function for an ideal comparator without internal hysteresis (**Figure 1**). In contrast, the transfer characteristic for a real comparator (**Figure 2**) shows an output change that requires an increase of about 2mV in the input voltage (V_{IN}).

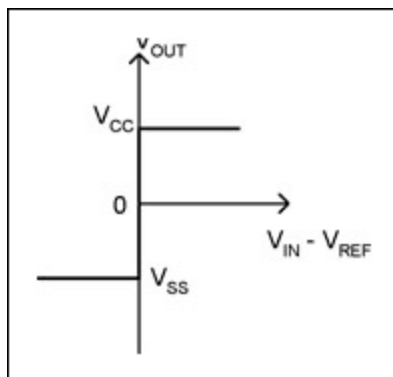


Figure 1. Transfer characteristic for an ideal comparator.

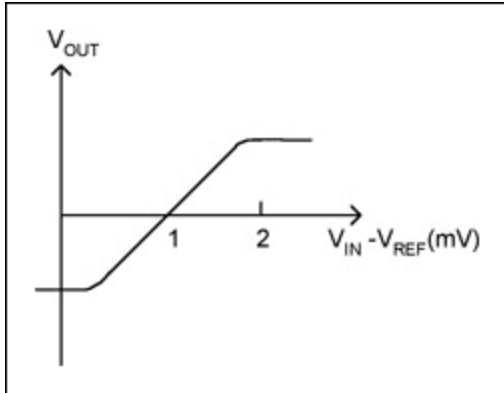


Figure 2. Transfer characteristic for a practical comparator.

For open-loop op amps, which are often used as comparators, a small amount of noise or interference combined with the input signal can cause undesirable rapid changes between the two output states (**Figure 3**). Substituting a comparator with hysteresis can prevent the rapid output changes and oscillation. Or, you can create external hysteresis by applying positive feedback to a comparator. Because positive feedback guarantees a fast output transition from one state to the other, the comparator output spends a negligible amount of time in the indeterminate state.

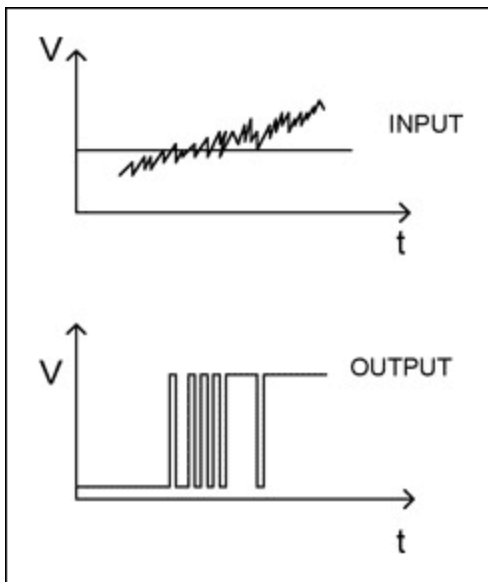


Figure 3. Indeterminate and rapidly changing outputs of comparators without hysteresis.

As an example, consider the simple circuit in **Figure 4**, with a transfer characteristic as shown in **Figure 5**, with a voltage ramp starting from zero applied to the comparator's inverting input. Resistor divider R1-R2 provides positive feedback. When the input begins to increase from point 1 (**Figure 6**), the output is at V_{CC} level and remains there until the input passes the positive threshold: $V_{TH+} = V_{CC}R2/(R1 + R2)$. At that point, the output changes drastically from V_{CC} to V_{SS} , because the inverting input is more positive than the noninverting input. The output remains low until the input passes the new threshold at point 5: $V_{TH-} = V_{SS}R2/(R1 + R2)$. At that time, the output switches immediately to V_{CC} , because the positive (noninverting) input has a higher potential than the inverting one.

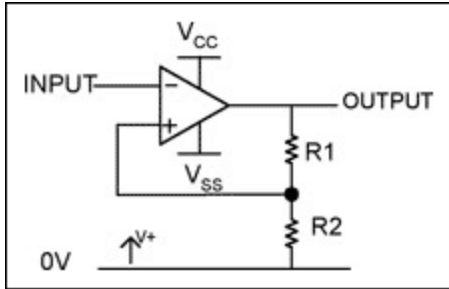


Figure 4. A simple circuit with hysteresis.

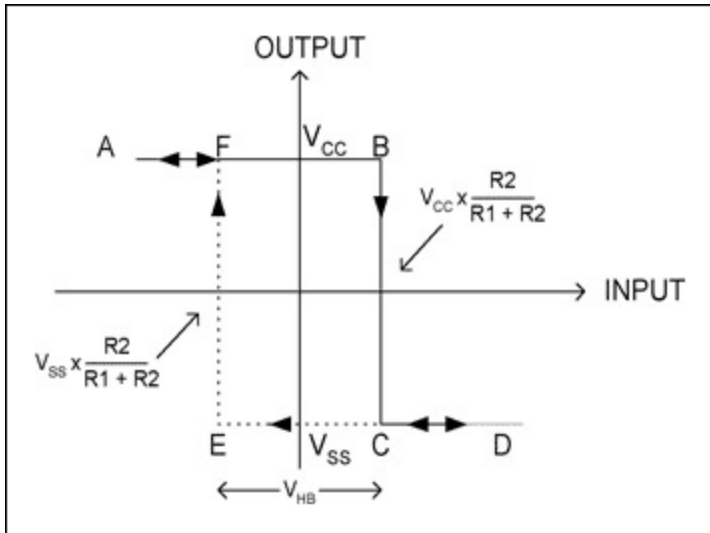


Figure 5. Transfer characteristic for the Figure 4 circuit.

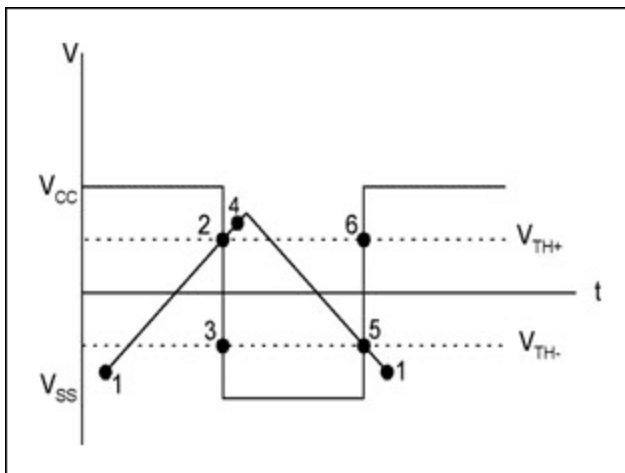


Figure 6. Input/output waveforms for the circuit in Figure 4.

The transfer function V_{OUT} vs. V_{IN} for the circuit in Figure 4 shows that the output changes in response to an input change of at least $2V_{TH}$. Thus, unlike the response of Figure 3 (an op amp with no hysteresis), any small amount of noise or interference less than $2V_{TH}$ cannot cause a rapid output change. For a particular application, the positive and negative threshold voltages can be set to desired values by a suitable choice of feedback network.

Other configurations are available for adding hysteresis with different threshold voltages. The circuit in **Figure 7** uses two MOSFETs and a resistor network to adjust or shift the threshold level in either direction. Unlike the comparator output in Figure 4, this one is not loaded with a feedback resistor network. The output responds to input changes as shown in **Figure 8**.

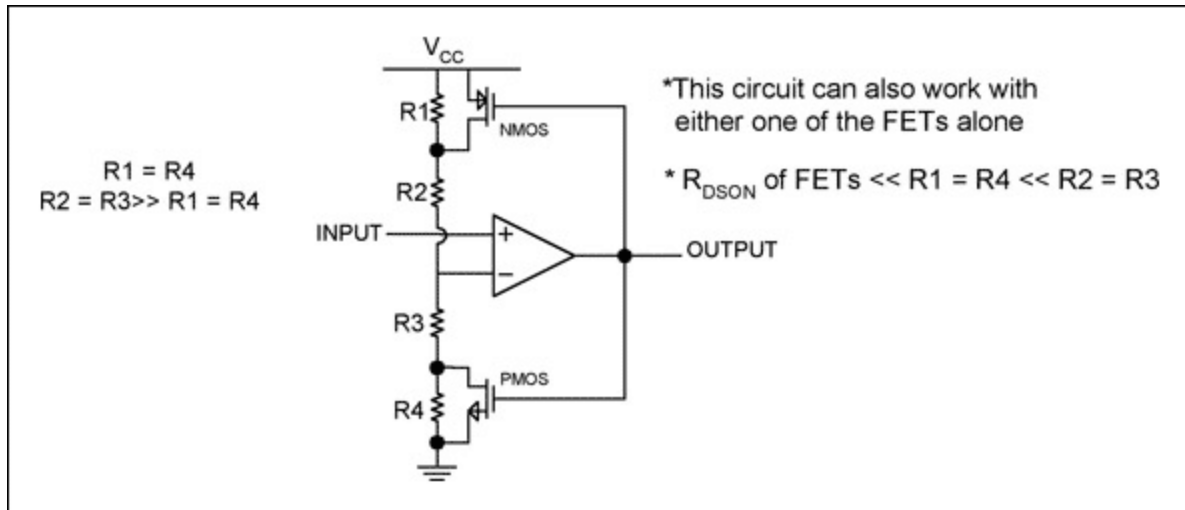


Figure 7. Adding hysteresis using external MOSFETs and resistors.

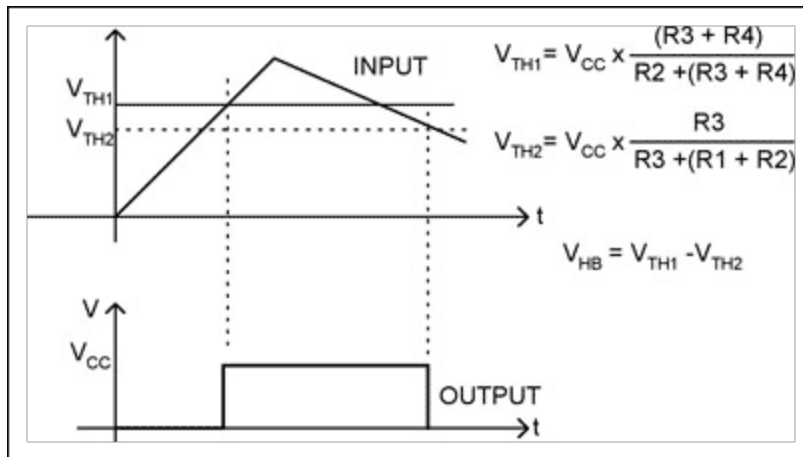


Figure 8. Input/output waveforms for the circuit in Figure 7.

Different output configurations internal to the comparator require different implementations of the external hysteresis. Comparators with internal push-pull outputs, for example, can employ a positive-feedback resistor directly between the output and noninverting input. A resistor divider network applies the input signal to the comparator's noninverting input, and the inverting input is fixed at some reference level (**Figure 9**).

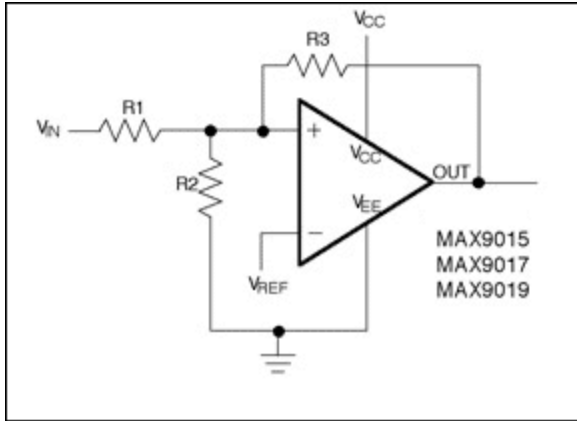


Figure 9. Adding hysteresis to a comparator with push-pull output.

As noted, a comparator with internal hysteresis presents one trip point for the rising input voltage (V_{THR}) and one for the falling input voltage (V_{THF}), corresponding to V_{TH1} and V_{TH2} in Figure 8. The difference between these trip points is the hysteresis band (V_{HB}). When the comparator's input voltages are equal, the hysteresis causes one input to move quickly past the other, thereby removing the input voltages from the region where oscillation occurs. **Figure 10** illustrates the behavior of a comparator with fixed voltage applied to the inverting input and a varying voltage applied to the noninverting input. (Swapping the inputs produces a figure that is similar, but with inverted output.)

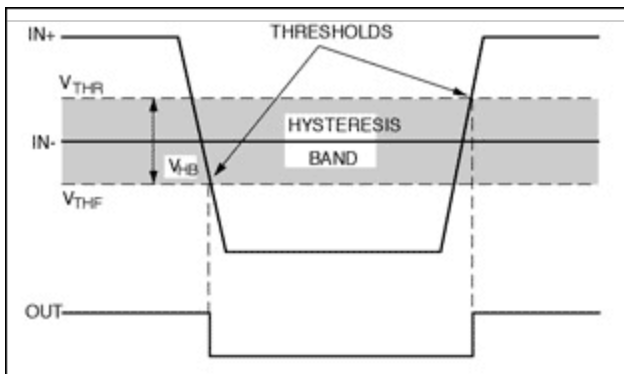


Figure 10. Input/output waveforms for the circuit in Figure 9.

Resistor values for the feedback-divider network are based on simple calculations of the two known cases in which the output is at one extreme or the other (the two supply rails).

Consider a comparator with internal hysteresis of 4mV and a push-pull output configuration—such as the Maxim MAX9015, MAX9017, and MAX9019. These comparators are intended for single-supply systems in which the two rails are V_{CC} and 0V. The following procedure lets you select or calculate the components based on the requirements and on given data such as supply rail voltages, hysteresis band voltage (V_{HB}), and reference voltage (V_{REF}):

Step 1.

Select R3. The current through R3 at the trip point is $(V_{REF} - V_{OUT})/R3$. Considering the two possible output states in solving for R3 yields two formulas:

$$R3 = V_{REF}/I_{R3} \text{ and } R3 = (V_{CC} - V_{REF})/I_{R3}.$$

Choose the smaller of the two resulting resistor values. For example, for $V_{CC} = 5V$, $I_{R3} = 0.2\mu A$, and a

MAX9117 comparator ($V_{REF} = 1.24V$), the two resistor values are $6.2M\Omega$ and $19M\Omega$. For R3 you should therefore choose the standard value $6.2M\Omega$.

Step 2.

Choose the hysteresis band required (V_{HB}). For this example, choose $50mV$.

$$R1 = R3 \left(\frac{V_{HB}}{V_{CC}} \right).$$

Step 3.

Calculate R1 according to the following equation:

For this example, insert the value

$$R1 = 6.2M\Omega \left(\frac{50mV}{5V} \right) = 62k\Omega.$$

Step 4.

Choose the trip point for V_{IN} rising (V_{THR}), such that:

$$V_{THR} > V_{REF} \left(1 + \frac{V_{HB}}{V_{CC}} \right)$$

This is the threshold voltage at which the comparator switches its output from low to high as V_{IN} rises above the trip point. For this example, choose $V_{THR} = 3V$.

Step 5.

Calculate R2 as follows:

$$R2 = 1 / \left[\left(\frac{V_{THR}}{V_{REF} \times R1} \right) - \left(\frac{1}{R1} \right) - \left(\frac{1}{R3} \right) \right],$$

$$R2 = 1 / \left[\left(\frac{3.0V}{(1.24V \times 62k\Omega)} \right) - \left(\frac{1}{62k\Omega} \right) - \left(\frac{1}{6.2M\Omega} \right) \right] = 43.99k\Omega.$$

For this example, choose a standard value of $44.2k\Omega$.

Step 6.

Verify the trip voltages and hysteresis as follows: V_{IN} rising = $2.992V$, which is equivalent to V_{REF} times R1 divided by the parallel combination of R1, R2, and R3:

$$V_{THR} = V_{REF} \times R1 \left[\left(\frac{1}{R1} \right) + \left(\frac{1}{R2} \right) + \left(\frac{1}{R3} \right) \right].$$

V_{IN} falling = $2.942V$. Therefore, hysteresis = $V_{THR} - V_{THF} = 50mV$.

$$V_{THF} = V_{THR} - \left(\frac{R1 \times V_{CC}}{R3} \right).$$

Finally, comparators with open-drain outputs and a built-in hysteresis band of $4mV$ (MAX9016, MAX9018, MAX9020) require an external pull-up resistor (**Figure 11**). Additional hysteresis can be generated using positive feedback, but the formulas differ slightly from those for push-pull outputs.

Hysteresis = $V_{THR} - V_{THF} = 50\text{mV}$. Use the following procedure to calculate resistor values:

Step 1.

Select R3. Input bias current at IN_+ is less than 2nA , so to minimize errors caused by the input bias current, the current through R3 should be at least $0.2\mu\text{A}$. Current through R3 at the trip point is $(V_{REF} - V_{OUT})/R3$. Considering the two possible output states in solving for R3 yields two formulas:

$$R3 = V_{REF}/IR3 \text{ and } R3 = [(V_{CC} - V_{REF})/IR3] - R4.$$

Use the smaller of the two resulting resistor values. For example, for $V_{CC} = 5\text{V}$, $IR3 = 0.2\mu\text{A}$, $R4 = 1\text{M}\Omega$, and a MAX9118 comparator ($V_{REF} = 1.24\text{V}$), the two resistor values are $6.2\text{M}\Omega$ and $18\text{M}\Omega$. Therefore, for R3 choose the standard value of $6.2\text{M}\Omega$.

Step 2.

Choose the hysteresis band required (V_{HB}).

Step 3.

Calculate R1 according to the following equation:

$$R1 = (R3 + R4) \left(\frac{V_{HB}}{V_{CC}} \right).$$

For this example, insert the value

$$R1 = (6.2\text{M}\Omega + 1\text{M}\Omega) \left(\frac{50\text{mV}}{5\text{V}} \right) = 72\text{k}\Omega.$$

Step 4.

Choose the trip point for V_{IN} rising (V_{THR}) such that

$$V_{THR} > V_{REF} \left(1 + \frac{V_{HB}}{V_{CC}} \right).$$

V_{THR} is the threshold voltage at which the comparator switches its output from low to high, as V_{IN} rises above the trip point. For this example, choose $V_{THR} = 3\text{V}$.

Step 5.

Calculate R2 as follows:

$$R2 = 1 / \left[\left(\frac{V_{THR}}{(V_{REF} \times R1)} \right) - \left(\frac{1}{R1} \right) - \left(\frac{1}{R3} \right) \right]$$
$$R2 = 1 / \left[\left(\frac{3.0\text{V}}{(1.24\text{V} \times 72\text{k}\Omega)} \right) - \left(\frac{1}{72\text{k}\Omega} \right) - \left(\frac{1}{6.2\text{M}\Omega} \right) \right] = 51.1\text{k}\Omega.$$

For this example, choose a standard value of $49.9\text{k}\Omega$.

Step 6.

Verify the trip voltages and hysteresis as follows:

$$V_{THR} = V_{REF} \times R1 \left(\left(\frac{1}{R1} \right) + \left(\frac{1}{R2} \right) + \left(\frac{1}{R3} \right) \right) = 3.043V.$$

$$V_{THF} = V_{REF} \times R1 \left(\left(\frac{1}{R1} \right) + \left(\frac{1}{R2} \right) + \left(\frac{1}{R3} \right) \right) - \frac{R1}{R3 + R4} \times V_{CC} = 2.993V.$$

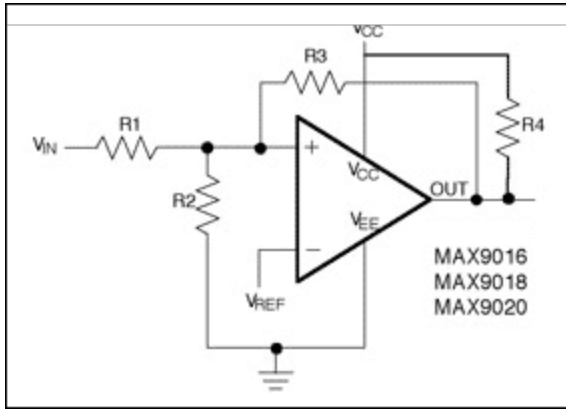


Figure 11. Adding hysteresis to a comparator with open-drain output.

Related Parts

MAX9015	SOT23, Dual, Precision, 1.8V, Nanopower Comparators With/Without Reference	Free Samples
MAX9016	SOT23, Dual, Precision, 1.8V, Nanopower Comparators With/Without Reference	Free Samples
MAX9017	SOT23, Dual, Precision, 1.8V, Nanopower Comparators With/Without Reference	Free Samples
MAX9018	SOT23, Dual, Precision, 1.8V, Nanopower Comparators With/Without Reference	Free Samples
MAX9019	SOT23, Dual, Precision, 1.8V, Nanopower Comparators With/Without Reference	Free Samples
MAX9020	SOT23, Dual, Precision, 1.8V, Nanopower Comparators With/Without Reference	Free Samples
MAX9117	SC70, 1.6V, Nanopower, Beyond-the-Rails Comparators With/Without Reference	Free Samples
MAX9118	SC70, 1.6V, Nanopower, Beyond-the-Rails Comparators With/Without Reference	Free Samples

More Information

For Technical Support: <http://www.maximintegrated.com/support>

For Samples: <http://www.maximintegrated.com/samples>

Other Questions and Comments: <http://www.maximintegrated.com/contact>

Application Note 3616: <http://www.maximintegrated.com/an3616>
APPLICATION NOTE 3616, AN3616, AN 3616, APP3616, Appnote3616, Appnote 3616
Copyright © by Maxim Integrated Products
Additional Legal Notices: <http://www.maximintegrated.com/legal>