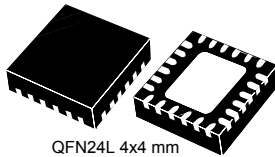


## Standalone USB Type-C™ controller with high voltage protections



QFN24L 4x4 mm

### Features

- Type-C attach and cable orientation detection
- Power role support: source / sink / DRP
- Configurable start-up profiles
- Integrated power switch for  $V_{CONN}$  supply:
  - Programmable current limit up to 600 mA
  - Overcurrent, overvoltage and thermal protections
  - Undervoltage lockout
- I<sup>2</sup>C interface and interrupt (optional connection to MCU)
- Integrated  $V_{BUS}$  voltage monitoring
- Integrated  $V_{BUS}$  and  $V_{CONN}$  discharge path
- Short-to-VBUS protection on CC pins (22 V) and VBUS pins (28 V)
- Dead-battery mode support
- Accessory mode support
- High and/or low voltage power supply:
  - $V_{SYS} = [3.0\text{ V}; 5.5\text{ V}]$
  - $V_{DD} = [4.1\text{ V}; 22\text{ V}]$
- ESD: 4 kV HBM - 1.5 kV CDM
- Temperature range: -40 °C up to 105 °C
- Certification test ID: 1000100

#### Product status link

[STUSB1600](#)

#### Device summary

<b>Order code</b>	STUSB1600AQTR
<b>Description</b>	Standalone USB Type-C™ controller with high voltage protections
<b>Package</b>	QFN24 EP 4x4 mm
<b>Marking</b>	1600A

### Applications

- Smart plugs, wall adapters, chargers
- Power hubs and docking stations
- Smartphones and tablets
- Gaming and PNDs
- Displays
- Wearable and Internet of Things (IoT)
- Cameras, camcorders, MP3 players
- Any Type-C source or sink device

### Description

The **STUSB1600** is an IC controller, fully compliant with the USB Type-C cable and connector specification (rev. 1.2), which addresses 5 V USB Type-C port management both on the host and/or device side. It is designed for a broad range of applications and can handle the following USB Type-C functions: attach detection, plug orientation detection, host to device connection,  $V_{CONN}$  support, and  $V_{BUS}$  configuration. Thanks to its 20 V technology, it implements high voltage protection features against short-circuits to  $V_{BUS}$  up to 28 V. The device supports dead battery mode and is fully customizable thanks to an integrated non-volatile memory.

# 1 Functional description

The STUSB1600 is a USB Type-C controller IC. It is designed to interface with the Type-C receptacle both on host and/or device sides. It is used to establish and manage the source-to-sink connection between two USB Type-C host and device ports.

The STUSB1600 major role is to:

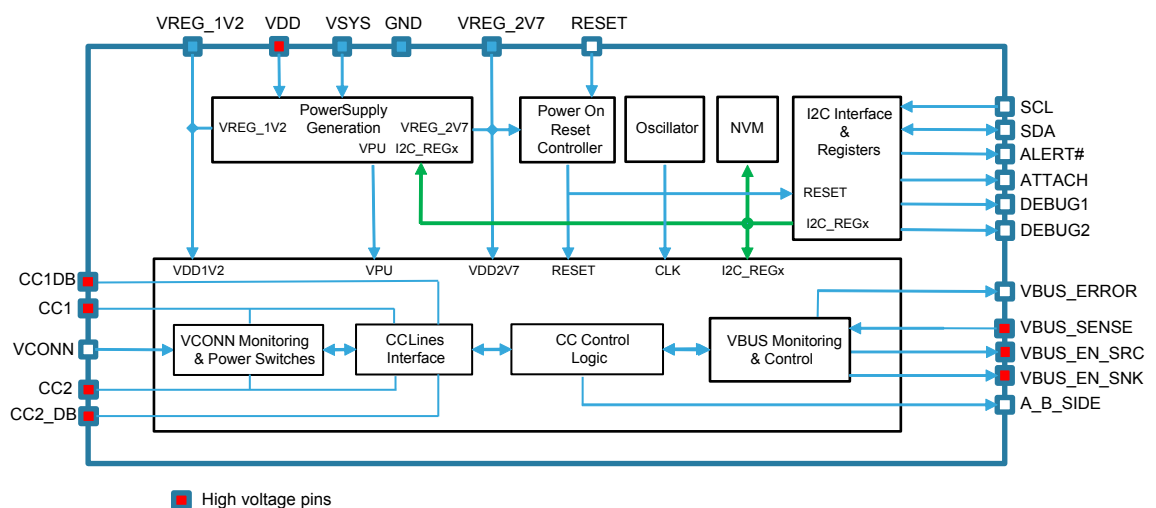
1. Detect the connection between two USB Type-C ports (attach detection)
2. Establish a valid source-to-sink connection
3. Determine the attached device mode: source, sink or accessory
4. Resolve cable orientation and twist connections to establish USB data routing (MUX control)
5. Configure and monitor  $V_{BUS}$  power path
6. Manage  $V_{BUS}$  power capability: USB Default, Type-C medium or Type-C high current mode
7. Configure  $V_{CONN}$  when required

The STUSB1600 also provides:

1. Low power standby mode
2. Dead-battery mode
3. I<sup>2</sup>C interface and interrupt (optional connection to MCU)
4. Start-up configuration customization: static through NVM or/and dynamic through I<sup>2</sup>C
5. High voltage protection
6. Accessory modes detection

## 1.1 Block overview

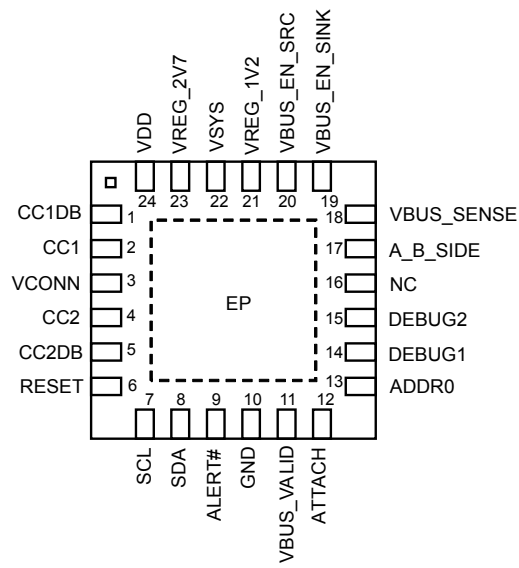
Figure 1. Functional block diagram



## 2 Inputs / outputs

### 2.1 Pinout

Figure 2. STUSB1600 pin connections



## 2.2 Pin list

**Table 1. Pin functions list**

Pin	Name	Type	Description	Typical connection
1	CC1DB	HV AIO	Dead-battery enable on CC1 pin	CC1 pin if used or ground
2	CC1	HV AIO	Type-C configuration channel 1	Type-C receptacle A5
3	VCONN	PWR	Power input for active plug	5 V power source
4	CC2	HV AIO	Type-C Configuration Channel 2	Type-C receptacle B5
5	CC2DB	HV AIO	Dead-battery enable on CC2 pin	CC2 pin if used or ground
6	RESET	DI	Reset input (active high)	
7	SCL	DI	I <sup>2</sup> C clock input	To I <sup>2</sup> C master, ext. pull-up
8	SDA	DI/OD	I <sup>2</sup> C data input/output – active low open-drain	To I <sup>2</sup> C master, ext. pull-up
9	ALERT#	OD	I <sup>2</sup> C interrupt – active low open-drain	To I <sup>2</sup> C master, ext. pull-up
10	GND	GND	Ground	Ground
11	VBUS_VALID	OD	V <sub>BUS</sub> detection, active low open-drain	To MCU if any, ext. pull-up
12	ATTACH	OD	Attachment detection, active low open-drain	To MCU if any, ext. pull-up
13	ADDR0	DI	I <sup>2</sup> C device address setting (see <a href="#">Section 4 I<sup>2</sup>C interface</a> )	Static
14	DEBUG1	OD	Debug accessory device detection in sink power role, active low open-drain	To MCU if any, ext. pull-up
15	DEBUG2	OD	Debug accessory device detection in source power role, active low open-drain	To MCU if any, ext. pull-up
16	NC	-	-	Floating
17	A_B_SIDE	OD	Cable orientation, active low open-drain	USB SuperSpeed mux select – Ext. pull-up
18	VBUS_SENSE	HV AI	V <sub>BUS</sub> voltage monitoring and discharge path	From V <sub>BUS</sub>
19	VBUS_EN_SNK	HV OD	V <sub>BUS</sub> sink power path enable, active low open-drain	To switch or power system, ext. pull-up
20	VBUS_EN_SRC	HV OD	V <sub>BUS</sub> source power path enable, active low open-drain	To switch or power system, ext. pull-up
21	VREG_1V2	PWR	1.2 V internal regulator output	1 μF typ. decoupling capacitor
22	VSYS	PWR	Power supply from system	From power system, connect to ground if not used
23	VREG_2V7	PWR	2.7 V internal regulator output	1 μF typ. decoupling capacitor
24	VDD	HV PWR	Power supply from USB power line	From V <sub>BUS</sub>
	EP	GND	Exposed pad is connected to ground	To ground

**Table 2. Legend**

Type	Description
D	Digital
A	Analog
O	Output pad
I	Input pad
IO	Bidirectional pad
OD	Open-drain output
PD	Pull-down
PU	Pull-up
HV	HIGH VOLTAGE
PWR	Power
GND	Ground

## 2.3 Pin description

### 2.3.1 CC1 / CC2

CC1 and CC2 are the configuration channel pins used for the connection and attachment detection, plug orientation determination and system configuration management across USB Type-C cable.

### 2.3.2 CC1DB / CC2DB

CC1DB and CC2DB are used for dead-battery mode when the STUSB1600 is configured in sink power role or dual power role. This mode is enabled by connecting CC1DB and CC2DB respectively to CC1 and CC2. Thanks to this connection, the pull-down terminations on the CC pins are present by default even if the device is not supplied (see [Section 3.5 Dead-battery mode](#)).

*Note:* *CC1DB and CC2DB must be connected to ground when the STUSB1600 is configured in source power role or when the dead-battery mode is not supported.*

### 2.3.3 VCONN

This power input is connected to a power source that can be a 5 V power supply, or a lithium battery. It is used to provide power supply to the local plug. It is internally connected to power switches that are protected against short-circuit and overvoltage. This does not require any protection on the input side. When a valid source-to-sink connection is determined and V<sub>CONN</sub> power switches are enabled, V<sub>CONN</sub> is provided by the source to the unused CC pin (see [Section 3.3 V<sub>CONN</sub> supply](#)).

### 2.3.4 RESET

Active high reset.

### 2.3.5 I<sup>2</sup>C interface pins

**Table 3. I<sup>2</sup>C interface pin list**

Name	Description
SCL	I <sup>2</sup> C clock, need external pull-up
SDA	I <sup>2</sup> C data, need external pull-up
ALERT#	I <sup>2</sup> C interrupt, need external pull-up
ADDR0	I <sup>2</sup> C device address bit (see <a href="#">Section 4 I<sup>2</sup>C interface</a> )

### 2.3.6 GND

Ground.

### 2.3.7 VBUS\_VALID

This pin is asserted during attachment when  $V_{BUS}$  is detected on VBUS\_SENSE pin and  $V_{BUS}$  voltage is within the valid operating range. The  $V_{BUS}$  valid state is also advertised in a dedicated I<sup>2</sup>C register bit (see [Section 5.1 Register description](#)).

### 2.3.8 ATTACH

This pin is asserted when a valid source-to-sink connection is established. It is also asserted when a connection to an accessory device is detected. The attachment state is also advertised in a dedicated I<sup>2</sup>C register bit (see [Section 5.1 Register description](#)).

### 2.3.9 DEBUG pins

These pins are asserted when a debug accessory device is detected according to the running power role.

**Table 4. Debug pin list**

Name	Description
DEBUG1	Asserted when Type-C FSM is in DebugAccessory.SNK state in sink power role
DEBUG2	Asserted when Type-C FSM is in UnorientedDebugAccessory.SRC or OrientedDebugAccessory.SRC states in source power role

### 2.3.10 A\_B\_SIDE

This output pin provides cable orientation. It is used to establish USB SuperSpeed signal routing. The cable orientation is also advertised in a dedicated I<sup>2</sup>C register bit. (see [Section 5.1 Register description](#)). This signal is not required in case of USB 2.0 support.

**Table 5. USB data MUX select**

Value	CC pin position
HiZ	CC1 pin is attached to CC line
0	CC2 pin is attached to CC line

### 2.3.11 VBUS\_SENSE

This input pin is used to sense  $V_{BUS}$  presence, monitor  $V_{BUS}$  voltage and discharge  $V_{BUS}$  on USB Type-C receptacle side.

### 2.3.12 VBUS\_EN\_SNK

In sink power role, this pin allows the incoming  $V_{BUS}$  power to be enabled when the connection to a source is established and  $V_{BUS}$  is in the valid operating range. The open-drain output allows a PMOS transistor to be driven directly. The logic value of the pin is also advertised in a dedicated I<sup>2</sup>C register bit (see [Section 5.1 Register description](#)).

### 2.3.13 VBUS\_EN\_SRC

In source power role, this pin allows the outgoing  $V_{BUS}$  power to be enabled when the connection to a sink is established and  $V_{BUS}$  is in the valid operating range. The open-drain output allows a PMOS transistor to be driven directly. The logic value of the pin is also advertised in a dedicated I<sup>2</sup>C register bit (see [Section 5.1 Register description](#)).

### 2.3.14 VREG\_1V2

This pin is used only for external decoupling of 1.2 V internal regulator. The recommended decoupling capacitor: 1  $\mu$ F typ. (0.5  $\mu$ F min.; 10  $\mu$ F max.).

### 2.3.15 VSYS

This is the low power supply from the system, if any. It can be connected directly to a single cell lithium battery or to the system power supply delivering 3.3 V or 5 V. It is recommended to connect the pin to ground when it is not used.

### 2.3.16 VREG\_2V7

This pin is used only for external decoupling of 2.7 V internal regulator. The recommended decoupling capacitor: 1  $\mu$ F typ. (0.5  $\mu$ F min.; 10  $\mu$ F max.).

### 2.3.17 VDD

This is the main power supply for applications powered by  $V_{BUS}$ .

In source power role, this pin can be used to sense the voltage level of the main power supply providing  $V_{BUS}$ . It allows UVLO and OVLO thresholds to be considered independently on VDD pin as additional conditions to enable the  $V_{BUS}$  power path through VBUS\_EN\_SRC pin (see [Section 3.2.3  \$V\_{BUS}\$  power path assertion](#)). When UVLO threshold detection is enabled, the VDD pin must be connected to the main power supply to establish the connection and to assert the  $V_{BUS}$  power path.

## 3 Features description

### 3.1 CC interface

The STUSB1600 controls the connection to the configuration channel (CC) pins, CC1 and CC2, through two main blocks, the CC lines interface block and the CC control logic block.

The CC line interface block is used to:

- Configure the termination mode on the CC pins relative to the power mode supported, i.e. pull-up for source power role and pull-down for sink power role
- Monitor the CC pin voltage values relative to the attachment detection thresholds
- Configure  $V_{CONN}$  on the unconnected CC pin when required
- Protect the CC pins against overvoltage

The CC control logic block is used to:

- Execute the Type-C FSM relative to the Type-C power mode supported
- Determine the electrical state for each CC pin relative to the detected thresholds
- Evaluate the conditions relative to the CC pin states and  $V_{BUS}$  voltage value to transition from one state to another in the Type-C FSM
- Detect and establish a valid source-to-sink connection
- Determine the attached device mode: source, sink or accessory
- Determine cable orientation to allow external routing of the USB data
- Manage  $V_{BUS}$  power capability: USB default, Type-C medium or Type-C high current mode
- Handle hardware faults

The CC control logic block implements the Type-C FSMs corresponding to the following Type-C power modes:

- Source power role with accessory support
- Sink power role with accessory support
- Sink power role without accessory support
- Dual power role with accessory support
- Dual power role with accessory and Try.SRC support
- Dual power role with accessory and Try.SNK support

The default Type-C power mode is selected through NVM programming (see [Section 6 Start-up configuration](#)) and can be changed by software during operation through I<sup>2</sup>C interface (see [Section 5.1 Register description](#)).

### 3.2 VBUS power path control

#### 3.2.1 VBUS monitoring

The  $V_{BUS}$  monitoring block supervises (from the  $V_{BUS\_SENSE}$  pin) the  $V_{BUS}$  voltage on the USB Type-C receptacle side.

It is used to check that  $V_{BUS}$  is within a valid voltage range:

- To establish a valid source-to-sink connection according to USB Type-C standard specifications
- To enable safely the  $V_{BUS}$  power path through  $V_{BUS\_EN\_SRC}$  pin or  $V_{BUS\_EN\_SNK}$  pin depending on the power role

It allows detection of unexpected  $V_{BUS}$  voltage conditions such as: undervoltage or overvoltage relative to the valid  $V_{BUS}$  voltage range. When such conditions occurs, the STUSB1600 behaves as follows:

- At attachment, it prevents the source-to-sink connection and the  $V_{BUS}$  power path assertion



- After attachment, it deactivates the source-to-sink connection and disables the  $V_{BUS}$  power path. In source power role, the device goes into error recovery state. In sink power role the device goes into unattached state

The valid  $V_{BUS}$  voltage range is defined from  $V_{BUS}$  nominal voltage by a high threshold voltage and a low threshold voltage whose nominal values are respectively  $V_{BUS}+5\%$  and  $V_{BUS}-5\%$ . The nominal threshold limits can be shifted by a fraction of  $V_{BUS}$  from +1% to +15% for the high threshold voltage and from -1% to -15% for the low threshold voltage. It means the threshold limits can vary from  $V_{BUS}+5\%$  to  $V_{BUS}+20\%$  for the high limit and from  $V_{BUS}-5\%$  to  $V_{BUS}-20\%$  for the low limit.

The threshold limits are preset by default in the NVM with different shift coefficients depending on whether the device operates in source power role or sink power role (see [Section 8.3 Electrical and timing characteristics](#)). The threshold limits can be changed independently through NVM programming (see [Section 6 Start-up configuration](#)) and also by software during attachment through I<sup>2</sup>C interface (see [Section 5.1 Register description](#)).

### 3.2.2 VBUS discharge

The monitoring block handles also the internal  $V_{BUS}$  discharge path connected to the  $VBUS\_SENSE$  pin. The discharge path is activated at detachment, or when the device goes into the error recovery state whatever the power role (see [Section 3.7 Hardware fault management](#)).

The  $V_{BUS}$  discharge path is enabled by default in the NVM and can be disabled through NVM programming only (see [Section 6 Start-up configuration](#)). The discharge time duration is also preset by default in the NVM (see [Section 8.3 Electrical and timing characteristics](#)). The discharge time duration can be modified through NVM programming (see [Section 6 Start-up configuration](#)) and also by software through the I<sup>2</sup>C interface (see [Section 5.1 Register description](#)).

### 3.2.3 VBUS power path assertion

The STUSB1600 can control the assertion of the  $V_{BUS}$  power path on USB Type-C port, directly or indirectly, through  $VBUS\_EN\_SRC$  pin and  $VBUS\_EN\_SNK$  pins according to the system power role.

The following tables summarize the configurations of the STUSB1600 and the operation conditions that determine the electrical value of  $VBUS\_EN\_SRC$  pin and  $VBUS\_EN\_SNK$  pins during the system operation.

**Table 6. Conditions for V<sub>BUS</sub> power path assertion in source power role**

Pin	Electrical value	Operation conditions			Comment
		Type-C attached state	VDD pin monitoring	VBUS_SENSE pin monitoring	
VBUS_EN_SRC	0	Attached.SRC or UnorientedDebug Accessory.SRC or OrientedDebug Accessory.SRC	V <sub>DD</sub> > V <sub>DDUVLO</sub> if UVLO threshold detection enabled and/or V <sub>DD</sub> < V <sub>DDOVLO</sub> if OVLO threshold detection enabled	V <sub>BUS</sub> < V <sub>MONUSBH</sub> and V <sub>BUS</sub> > V <sub>MONUSBL</sub> if V <sub>BUS</sub> voltage range detection enabled or V <sub>BUS</sub> > V <sub>THUSB</sub> if V <sub>BUS</sub> voltage range detection disabled	The signal is asserted only if all the valid operation conditions are met
	HiZ	Any other state	V <sub>DD</sub> < V <sub>DDUVLO</sub> if UVLO threshold detection enabled and/or V <sub>DD</sub> > V <sub>DDOVLO</sub> if OVLO threshold detection enabled	V <sub>BUS</sub> > V <sub>MONUSBH</sub> or V <sub>BUS</sub> < V <sub>MONUSBL</sub> if V <sub>BUS</sub> voltage range detection enabled or V <sub>BUS</sub> < V <sub>THUSB</sub> if V <sub>BUS</sub> voltage range detection disabled	The signal is de-asserted when at least one non-valid operation condition is met

As specified in the USB Type-C standard specification, the attached state "Attached.SRC" is reached only if the voltage on V<sub>BUS</sub> receptacle side is at vSafe0V condition when a connection is detected.

**Table 7. Conditions for  $V_{BUS}$  power path assertion in sink power role**

Pin	Electrical value	Operation conditions			Comment
		Type-C attached state	VDD pin monitoring	VBUS_SENSE pin monitoring	
VBUS_EN_SNK	0	Attached.SNK or DebugAccessory. SNK	Not applicable	$V_{BUS} < V_{MONUSBH}$ and $V_{BUS} >$ $V_{MONUSBL}$ if $V_{BUS}$ voltage range detection enabled or $V_{BUS} > V_{THUSB}$ if $V_{BUS}$ voltage range detection disabled	The signal is asserted only if all the valid operation conditions are met
	HiZ	Any other state	Not applicable	$V_{BUS} > V_{MONUSBH}$ or $V_{BUS} < V_{MONUSBL}$ if $V_{BUS}$ voltage range detection enabled or $V_{BUS} < V_{THUSB}$ if $V_{BUS}$ voltage range detection disabled	The signal is de-asserted when at least one non-valid operation condition is met

"Type-C attached state" refers to the Type-C FSM states as defined in the USB Type-C standard specification and as described in I<sup>2</sup>C register CC\_OPERATION\_STATUS (see [Section 5.1 Register description](#)).

"VDD pin monitoring" is valid in source power role only. The activation of the UVLO and OVLO threshold detections can be done through NVM programming (see [Section 6 Start-up configuration](#)) and also by software through I<sup>2</sup>C interface (see [Section 5.1 Register description](#)). When UVLO and/or OVLO threshold detection is activated, VBUS\_EN\_SRC pin is asserted only if the device is attached and the valid threshold conditions on VDD are met. Once VBUS\_EN\_SRC pin is asserted, the  $V_{BUS}$  monitoring is done on VBUS\_SENSE pin instead of VDD pin.

"VBUS\_SENSE pin monitoring" relies by default on the valid  $V_{BUS}$  voltage range defined by a high limit  $V_{MONUSBH}$  and a low limit  $V_{MONUSBL}$ . The voltage range conditions can be disabled to consider UVLO threshold detection instead. The monitoring conditions of  $V_{BUS}$  voltage can be changed through NVM programming (see [Section 6 Start-up configuration](#)) and also by software through I<sup>2</sup>C interface (see [Section 5.1 Register description](#)).

See [Section 8.3 Electrical and timing characteristics](#) for the threshold voltage description and value on VDD and VBUS\_SENSE pins.

### 3.3 VCONN supply

#### 3.3.1 VCONN input voltage

$V_{CONN}$  is a regulated supply used to power circuits in the plug of USB3.1 full-featured cables and other accessories.  $V_{CONN}$  nominal operating voltage is 5.0 V  $\pm$  5%.

#### 3.3.2 VCONN application conditions

The  $V_{CONN}$  pin of the STUSB1600 is connected to each CC pin (CC1 and CC2) across independent power switches.

The STUSB1600 applies  $V_{CONN}$  only to the CC pin not connected to the CC wire when all below conditions are met:

- The device is configured in source power role or dual power role
- V<sub>CONN</sub> power switches are enabled
- A valid connection to a sink is achieved
- Ra presence is detected on the unwired CC pin
- A valid power source is applied on V<sub>CONN</sub> pin with respect to a predefined UVLO threshold

The STUSB1600 does not provide V<sub>CONN</sub> when it works in sink power role.

### 3.3.3 VCONN monitoring

The V<sub>CONN</sub> monitoring block detects if V<sub>CONN</sub> power supply is available on the VCONN pin. It is used to check that V<sub>CONN</sub> voltage is above a predefined undervoltage lockout (UVLO) threshold to allow V<sub>CONN</sub> power switches to be enabled.

The default value of the UVLO threshold is 4.65 V typical for powered cables operating at 5 V. It can be changed by software to 2.65 V typical to support V<sub>CONN</sub>-powered accessories that are operating down to 2.7 V (see [Section 5.1 Register description](#)).

### 3.3.4 VCONN discharge

The behavior of Type-C FSMs is extended with an internal V<sub>CONN</sub> discharge path capability on CC pins in source power mode only. The discharge path is activated during 250 ms from sink detachment detection. This feature is disabled by default and can be activated through NVM programming (see [Section 6 Start-up configuration](#)) and also by software through I<sup>2</sup>C interface (see [Section 5.1 Register description](#)).

### 3.3.5 VCONN control and status

The supplying conditions of V<sub>CONN</sub> across the STUSB1600 are managed through the I<sup>2</sup>C interface. Different I<sup>2</sup>C registers and bits are used specifically for this purpose (see [Section 5.1 Register description](#)).

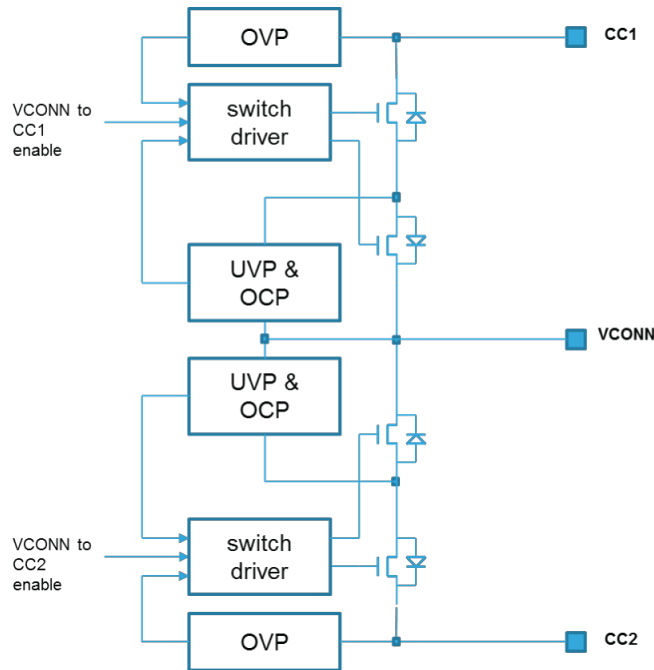
### 3.3.6 VCONN power switches

#### Features

The STUSB1600 integrates two current limited high-side power switches with protections that tolerate high voltage up to 22 V on the CC pins.

Each V<sub>CONN</sub> power switch presents the following features:

- Soft-start to limit inrush current
- Constant current mode overcurrent protection
- Adjustable current limit
- Thermal protection
- Undervoltage and overvoltage protection
- Reverse current and reverse voltage protections

**Figure 3. V<sub>CONN</sub> to CC1 and CC2 power switch protections**


### Current limit programming

The current limit can be set within the range 100 mA to 600 mA by step of 50 mA. The default current limit is programmed through NVM programming (see [Section 6 Start-up configuration](#)) and can be changed by software through I<sup>2</sup>C interface (see [Section 5.1 Register description](#)). At power-on or after a reset, the current limit takes the default value preset in the NVM.

### Fault management

The table below summarizes the different fault conditions that could occur during the operation of the switch and the associated responses. An I<sup>2</sup>C alert is generated when a fault condition happens (see [Section 5.1 Register description](#)).

**Table 8. Fault management conditions**

Fault types	Fault conditions	Expected actions
Short-circuit	CC output pin shorted to ground via very low resistive path causing rapid current surge	Power switch limits the current and reduces the output voltage. I <sup>2</sup> C alert is asserted immediately thanks to VCONN_SW_OCP_FAULT bits
Overcurrent	CC output pin connected to a load that sinks current above programmed limit	Power switch limits the current and reduces the output voltage. I <sup>2</sup> C alert is asserted immediately thanks to VCONN_SW_OCP_FAULT bits
Overheating	Junction temperature exceeding 145 °C due to any reason	Power switch is disabled immediately until the temperature falls below 145 ° minus hysteresis of 15 °C. I <sup>2</sup> C alert is asserted immediately thanks to THERMAL_FAULT bit. The STUSB1600 goes into transient error recovery state
Undervoltage	V <sub>CONN</sub> input voltage drops below UVLO threshold minus hysteresis	Power switch is disabled immediately until the input voltage rises above the UVLO threshold. I <sup>2</sup> C alert is asserted immediately thanks to VCONN_PRESENCE bit
Overvoltage	CC output pin voltage exceeds maximum operating limit of 6.0 V	Power switch is opened immediately until the voltage falls below the voltage limit. I <sup>2</sup> C alert is asserted immediately thanks to VCONN_SW_OVP_FAULT bits

Fault types	Fault conditions	Expected actions
Reverse current	CC output pin voltage exceeds $V_{CONN}$ input voltage when the power switch is turned off	The reverse biased body diode of the back-to-back MOS switches is naturally disabled preventing current to flow from the CC output pin to the input
Reverse voltage	CC output pin voltage exceeds $V_{CONN}$ input voltage of more than 0.35 V for 5 V when the power switch is turned on	Power switch is opened immediately until the voltage difference falls below the voltage limit. I <sup>2</sup> C alert is asserted immediately thanks to <code>VCONN_SW_RVP_FAULT</code> bits

### 3.4 Low power standby mode

The STUSB1600 proposes a standby mode to reduce the device power consumption when no device is connected to the USB Type-C port. It is disabled by default and can be activated through NVM programming (see [Section 6 Start-up configuration](#)).

When activated, the STUSB1600 enters standby mode at power-up, or after a reset, after a reset or after a disconnection. In this mode, the CC interface and the voltages monitoring blocks are turned off. Only a monitoring circuitry is maintained active on the CC pins to detect a connection. When the connection is detected, all the internal circuits are turned on to allow normal operations.

The standby mode does not operate when the device is configured in sink power role with accessory support (see [Section 6 Start-up configuration](#)).

### 3.5 Dead-battery mode

The dead-battery mode allows systems powered by a battery to be supplied by  $V_{BUS}$  when the battery is discharged and to start the battery charging process. It is also used in systems that are powered through  $V_{BUS}$  only.

This mode is only supported in sink power role and dual power role configurations. It operates only if the CC1DB and CC2DB pins are connected respectively to the CC1 and CC2 pins. Thanks to these connections, the STUSB1600 presents a pull-down termination on its CC pins and advertises itself as a sink even if the device is not supplied.

When a source system connects to a USB Type-C port with the STUSB1600 configured in dead-battery mode, it can detect the pull-down termination, establish the source-to-sink connection, and provide the  $V_{BUS}$ . The STUSB1600 is then supplied thanks to the VDD pin connected to the  $V_{BUS}$  on the USB Type-C receptacle side. The STUSB1600 can finalize the source-to-sink connection and enable the power path on the  $V_{BUS}$  thanks to the `VBUS_EN_SNK` pin which allows the system to be powered.

### 3.6 High voltage protection

The STUSB1600 can be used safely in systems or connected to systems that handle high voltage on the  $V_{BUS}$  power path. The device integrates an internal circuitry on the CC pins that tolerates high voltages and ensures a protection up to 22 V in case of unexpected short-circuit with  $V_{BUS}$  or in case of connection to a device supplying high voltage on  $V_{BUS}$ .

### 3.7 Hardware fault management

The STUSB1600 handles hardware fault conditions related to the device itself and to the  $V_{BUS}$  power path during the system operation.

When such conditions happens, the circuit goes into a transient error recovery state named ErrorRecovery in the Type-C FSM. The error recovery state is sufficient to force a detach event.

When entering this state, the device de-asserts the  $V_{BUS}$  power path by disabling `VBUS_EN_SRC` pin and `VBUS_EN_SNK` pin, and it removes the terminations from the CC pins during few tens of milliseconds. Then it transits to the unattached state related to the configured power mode.

The STUSB1600 goes into error recovery state when at least one condition listed below is met:

- Whatever the power role:

- If an overtemperature is detected, the "THERMAL\_FAULT" bit set to 1b
- In source power role only:
  - If an internal pull-up voltage on CC pins is below UVLO threshold (VPU\_VALID bit set to 0b)
  - If an overvoltage is detected on the CC pins (VPU\_OVP\_FAULT bit set to 1b)
  - If  $V_{BUS}$  voltage is out of the valid voltage range during attachment (VBUS\_VALID bit set to 0b)
  - If an undervoltage is detected on VDD pin during attachment when UVLO detection is enabled (VDD\_UVLO\_DISABLE bit set to 0b)
  - If an overvoltage is detected on VDD pin during attachment when OVLO detection is enabled (VDD\_OVLO\_DISABLE bit set to 0b)

The I<sup>2</sup>C register bits above-mentioned give either the state of the hardware fault when it occurs, or the setting conditions to detect the hardware fault (see [Section 5.1 Register description](#)).

### 3.8 Accessory mode detection

The STUSB1600 supports the detection of audio accessory mode and debug accessory mode as defined in USB Type-C standard specification with the following Type-C power modes (see [Section 6 Start-up configuration](#)):

- Source power role with accessory support
- Sink power role with accessory support
- Dual power role with accessory support
- Dual power role with accessory and Try.SRC support
- Dual power role with accessory and Try.SNK support

#### 3.8.1 Audio accessory mode detection

The STUSB1600 detects an audio accessory device when both CC1 and CC2 pins are pulled down to ground by Ra resistor from the connected device. The audio accessory detection is advertised through CC\_ATTACHED\_MODE bits of I<sup>2</sup>C register CC\_CONNECTION\_STATUS (see [Section 5.1 Register description](#)).

#### 3.8.2 Debug accessory mode detection

The STUSB1600 detects a connection to a debug and test system (DTS) when it operates either in sink power role or in source power role. The debug accessory detection is advertised by DEBUG1 and DEBUG2 pins as well as through CC\_ATTACHED\_MODE bits of I<sup>2</sup>C register CC\_CONNECTION\_STATUS (see [Section 5.1 Register description](#)).

In sink power role, a debug accessory device is detected when both CC1 and CC2 pins are pulled up by Rp resistor from the connected device. The voltage levels on CC1 and CC2 pins give the orientation and the current capability as described in the table below. DEBUG1 pin is asserted to advertise the DTS detection and A\_B\_SIDE pin indicates the orientation of the connection. The current capability of the DTS is given through SINK\_POWER\_STATE bits of I<sup>2</sup>C register CC\_OPERATION\_STATUS (see [Section 5.1 Register description](#)).

**Table 9. Orientation and current capability detection in sink power role**

#	CC1 (CC2)	CC2 (CC1)	Charging current configuration	A_B_SIDE pin CC1/CC2 (CC2/CC1)	Current capability state SINK_POWER_STATE bit values
1	Rp 3A	Rp 1.5 A	Default	HiZ (0)	PowerDefault.SNK (source supplies default USB current)
2	Rp 1.5 A	Rp default	1.5 A	HiZ (0)	Power1.5.SNK (source supplies 1.5 A USB Type-C current)
3	Rp 3 A	Rp default	3.0 A	HiZ (0)	Power3.0.SNK (source supplies 3.0 A USB Type-C current)
4	Rp def/1.5 A/3 A	Rp def/1.5 A/3 A	Default	HiZ (HiZ)	PowerDefault.SNK (source supplies default USB current)

In source power role, a debug accessory device is detected when both CC1 and CC2 pins are pulled down to ground by Rd resistor from the connected device. The orientation detection is performed in two steps as described in the table below. DEBUG2 pin is asserted to advertise the DTS detection and the A\_B\_SIDE pin indicates the orientation of the connection. The orientation detection is advertised through TYPEC\_FSM\_STATE bits of I<sup>2</sup>C register CC\_OPERATION\_STATUS (see [Section 5.1 Register description](#)).

**Table 10. Orientation detection in source power role**

#	CC1 (CC2)	CC2 (CC1)	Detection process	A_B_SIDE pin CC1/CC2 (CC2/CC1)	Orientation detection state TYPEC_FSM_STATE bit value
1	Rd	Rd	1 <sup>st</sup> step: debug accessory mode detected	HiZ (HiZ)	UnorientedDebugAccessory.SRC
2	Rd	≤Ra	2 <sup>nd</sup> step: orientation detected (DTS presents a resistance to GND with a value ≤Ra on its CC2 pin)	HiZ (0)	OrientedDebugAccessory.SRC



## 4 I<sup>2</sup>C Interface

### 4.1 Read and write operations

The I<sup>2</sup>C interface is used to configure, control and read the operation status of the device. It is compatible with the Philips I<sup>2</sup>C Bus® (version 2.1). The I<sup>2</sup>C is a slave serial interface based on two signals:

- SCL - serial clock line: input clock used to shift data
- SDA - serial data line: input/output bidirectional data transfers

A filter rejects the potential spikes on the bus data line to preserve data integrity.

The bidirectional data line supports transfers up to 400 kbit/s (fast mode). The data are shifted to and from the chip on the SDA line, MSB first.

The first bit must be high (START) followed by the 7-bit device address and the read/write control bit.

Two 7-bit device address are available for the STUSB1600 thanks to the external programming of DevADDR0 through ADDR0 pin setting, i.e. 0x28 or 0x29. It allows two STUSB1600 devices to be connected on the same I<sup>2</sup>C bus.

**Table 11. Device address format**

Bit7	Bit6	Bit5	Bit4	Bit3	Bit2	Bit1	Bit0
DevADDR6	DevADDR5	DevADDR4	DevADDR3	DevADDR2	DevADDR1	DevADDR0	R/W
0	1	0	1	0	0	ADDR0	0/1

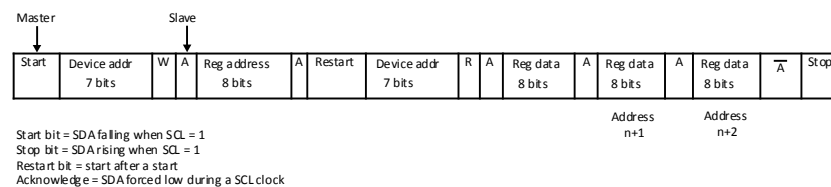
**Table 12. Register address format**

Bit7	Bit6	Bit5	Bit4	Bit3	Bit2	Bit1	Bit0
RegADDR7	RegADDR6	RegADDR5	RegADDR4	RegADDR3	RegADDR2	RegADDR1	RegADDR0

**Table 13. Register data format**

Bit7	Bit6	Bit5	Bit4	Bit3	Bit2	Bit1	Bit0
DATA7	DATA6	DATA5	DATA4	DATA3	DATA2	DATA1	DATA0

**Figure 4. Read operation**



**Figure 5. Write operation**

Start	Device addr 7 bits	W	A	Reg address 8 bits	A	Reg data 8 bits	A	Reg data 8 bits	A	Reg data 8 bits	A	Stop
-------	-----------------------	---	---	-----------------------	---	--------------------	---	--------------------	---	--------------------	---	------

Start bit = SDA falling when SCL = 1  
 Stop bit = SDA rising when SCL = 1  
 Restart bit = start after a start

Address  
n+1                  Address  
n+2

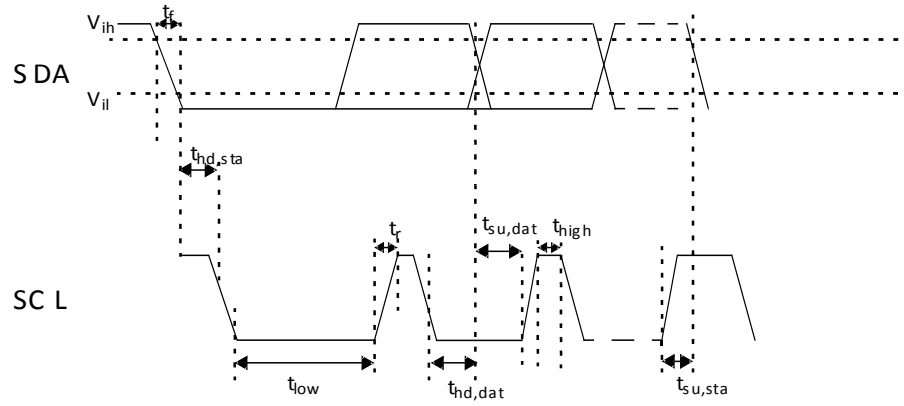
## 4.2 Timing specifications

The device uses a standard slave I<sup>2</sup>C channel at speed up to 400 kHz.

**Table 14. I<sup>2</sup>C timing parameters - V<sub>DD</sub> = 5 V**

Symbol	Parameter	Min.	Typ.	Max.	Unit
F <sub>SCL</sub>	SCL clock frequency	0	-	400	kHz
t <sub>hd,sta</sub>	Hold time (repeated) START condition	0.6	-	-	μs
t <sub>low</sub>	LOW period of the SCL clock	1.3	-	-	μs
t <sub>high</sub>	HIGH period of the SCL clock	0.6	-	-	μs
t <sub>su,dat</sub>	Set-up time for repeated START condition	0.6	-	-	μs
t <sub>hd,dat</sub>	Data hold time	0.04	-	0.9	μs
t <sub>su,dat</sub>	Data set-up time	100	-	-	μs
t <sub>r</sub>	Rise time of both SDA and SCL signals	20 + 0.1 C <sub>b</sub>	-	300	ns
t <sub>f</sub>	Fall time of both SDA and SCL signals	20 + 0.1 C <sub>b</sub>	-	300	ns
t <sub>su,sto</sub>	Set-up time for STOP condition	0.6	-	-	μs
t <sub>buf</sub>	Bus free time between a STOP and START condition	1.3	-	-	μs
C <sub>b</sub>	Capacitive load for each bus line	-	-	400	pF

**Figure 6. I<sup>2</sup>C timing diagram**



## 5 Register map

**Table 15. Register access legend**

Access code	Expanded name	Description
RO	Read only	Register can be read only
R/W	Read /write	Register can be read or written
RC	Read and clear	Register can be read and is cleared after read

**Table 16. STUSB1600 register map overview**

Address	Register name	Access	Description
00h to 0Ah	Reserved	RO	Do not use
0Bh	ALERT_STATUS	RC	Alert register linked to transition registers
0Ch	ALERT_STATUS_MASK_CTRL	R/W	Allows the interrupt mask on ALERT_STATUS register to be changed
0Dh	CC_CONNECTION_STATUS_TRANS	RC	Alerts about transition in CC_CONNECTION_STATUS register
0Eh	CC_CONNECTION_STATUS	RO	Gives status on CC connection
0Fh	MONITORING_STATUS_TRANS	RC	Alerts about transition in MONITORING_STATUS register
10h	MONITORING_STATUS	RO	Gives status on $V_{BUS}$ and $V_{CONN}$ voltage monitoring
11h	CC_OPERATION_STATUS	RO	Gives status on CC operation modes
12h	HW_FAULT_STATUS_TRANS	RC	Alerts about transition in HW_FAULT_STATUS register
13h	HW_FAULT_STATUS	RO	Gives status on hardware faults
14h to 17h	Reserved	RO	Do not use
18h	CC_CAPABILITY_CTRL	R/W	Allows the CC capabilities to be changed
19h to 1Dh	Reserved	RO	Do not use
1Eh	CC_VCONN_SWITCH_CTRL	R/W	Allows the current limit of $V_{CONN}$ power switches to be changed
1Fh	Reserved	RO	Do not use
20h	VCONN_MONITORING_CTRL	R/W	Allows the monitoring conditions of $V_{CONN}$ voltage to be changed
21h	Reserved	RO	Do not use
22h	VBUS_MONITORING_RANGE_CTRL	R/W	Allows the voltage range for $V_{BUS}$ monitoring to be changed
23h	RESET_CTRL	R/W	Controls the device reset by software
24h	Reserved	RO	Do not use
25h	VBUS_DISCHARGE_TIME_CTRL	R/W	Allows the $V_{BUS}$ discharge time to be changed

Address	Register name	Access	Description
26h	VBUS_DISCHARGE_STATUS	RO	Gives status on V <sub>BUS</sub> discharge path activation
27h	VBUS_ENABLE_STATUS	RO	Gives status on V <sub>BUS</sub> power path activation
28h	CC_POWER_MODE_CTRL	R/W	Allows the CC power mode to be changed
29h to 2Dh	Reserved	RO	Do not use
2Eh	VBUS_MONITORING_CTRL	R/W	Allows the monitoring conditions of V <sub>BUS</sub> voltage to be changed
2Fh	Reserved	RO	Do not use

## 5.1 Register description

The reset column specified in the register descriptions below defines the default value of the registers at power-up or after a reset. The reset values with (NVM) index correspond to the user-defined parameters that can be customized by NVM re-programming if needed (see [Section 6 Start-up configuration](#)).

### 5.1.1 ALERT\_STATUS

**Address:** 0Bh

**Access:** RC

*Note:* This register indicates an alert that has occurred.

**Table 17. ALERT\_STATUS register**

Bit	Field name	Reset	Description
7	Reserved	0b	Do not use
6	CC_CONNECTION_STATUS_AL	0b	0b: cleared 1b: change occurred on CC_CONNECTION_STATUS_TRANS register
5	MONITORING_STATUS_AL	0b	0b: cleared 1b: change occurred on MONITORING_STATUS_TRANS register
4	HW_FAULT_STATUS_AL	0b	0b: cleared 1b: change occurred on HW_FAULT_STATUS_TRANS register
3:0	Reserved	0000b	Do not use

When a bit value change occurs on one of the mentioned transition registers, it automatically sets the corresponding alert bit in ALERT\_STATUS register.

### 5.1.2 ALERT\_STATUS\_MASK\_CTRL

**Address:** 0Ch

**Access:** R/W

*Note:* This register is used to mask event interrupt and prevent the assertion of the alert bit in the ALERT\_STATUS register when the corresponding bit defined below is set to 1.

**Table 18. ALERT\_STATUS\_MASK\_CTRL register**

Bit	Field Name	Reset	Description
7	Reserved	1b	Do not use
6	CC_CONNECTION_STATUS_AL_MASK	1b (NVM)	0b: interrupt unmasked 1b: interrupt masked
5	MONITORING_STATUS_AL_MASK	1b (NVM)	0b: interrupt unmasked 1b: interrupt masked
4	HW_FAULT_STATUS_AL_MASK	1b (NVM)	0b: interrupt unmasked 1b: interrupt masked
3:0	Reserved	1111b	Do not use

The condition to generate an active-low ALERT signal is:  
 [ALERT\_STATUS bitwise AND (NOT ALERT\_STATUS\_MASK)] <> 0

### 5.1.3 CC\_CONNECTION\_STATUS\_TRANS

**Address:** 0Dh

**Access:** RC

*Note:* This register indicates a bit value change has occurred in CC\_CONNECTION\_STATUS register.

**Table 19. CC\_CONNECTION\_STATUS\_TRANS register**

Bit	Field name	Reset	Description
7:1	Reserved	0000000b	Do not use
0	CC_ATTACH_TRANS	0b	0b: cleared 1b: transition occurred on CC_ATTACH bit

### 5.1.4 CC\_CONNECTION\_STATUS

**Address:** 0Eh

**Access:** RO

*Note:* This register gives the connection state of the CC pins and on associated operating modes of the device.

**Table 20. CC\_CONNECTION\_STATUS register**

Bit	Field name	Reset	Description
7:5	CC_ATTACHED_MODE	000b	000b: no device attached 001b: sink attached 010b: source attached 011b: debug accessory attached 100b: audio accessory attached 101b: do not use 110b: do not use 111b: do not use
4	DEVICE_POWER_MODE	0b <sup>(NVM)</sup>	0b: operating in normal power mode 1b: operating in standby power mode
3	CC_POWER_ROLE	0b	0b: operating as a sink 1b: operating as a source
2	Reserved	0b	Do not use
1	CC_VCONN_SUPPLY	0b	0b: V <sub>CONN</sub> is not supplied on CC pin 1b: V <sub>CONN</sub> is supplied on CC pin
0	CC_ATTACH	0b	0b: not attached 1b: attached

The DEVICE\_POWER\_MODE bit indicates the power consumption mode of the device at start-up and during operation:

- In normal mode, all the internal circuits are turned on
- In standby mode the CC interface and the voltage monitoring blocks remain off until a connection is detected

The standby mode power is disabled by default and can be activated through NVM programming (see [Section 6 Start-up configuration](#)).

The CC\_POWER\_ROLE bit is relevant only when a connection is established and the device is attached.

### 5.1.5 MONITORING\_STATUS\_TRANS

**Address:** 0Fh

**Access:** RC

*Note:* This register indicates a bit value change has occurred in MONITORING\_STATUS register.

**Table 21. MONITORING\_STATUS\_TRANS register**

Bit	Field name	Reset	Description
7:4	Reserved	0000b	Do not use
3	VBUS_VALID_TRANS	0b	0b: cleared 1b: transition occurred on VBUS_VALID bit
2	VBUS_VSAFE0V_TRANS	0b	0b: cleared 1b: transition occurred on VBUS_VSAFE0V bit
1	VBUS_PRESENCE_TRANS	0b	0b: cleared 1b: transition occurred on VBUS_PRESENCE bit
0	VCONN_PRESENCE_TRANS	0b	0b: cleared 1b: transition occurred on VCONN_PRESENCE bit

### 5.1.6 MONITORING\_STATUS

**Address:** 10h

**Access:** RO

*Note:* This register gives the current status of  $V_{BUS}$  and  $V_{CONN}$  voltage monitoring done respectively on  $VBUS\_SENSE$  pin and  $VCONN$  pin.

**Table 22. MONITORING\_STATUS register**

Bit	Field name	Reset	Description
7:4	Reserved	0000b	Do not use
3	VBUS_VALID	0b	0b: $V_{BUS}$ is outside valid $V_{BUS}$ voltage range 1b: $V_{BUS}$ is within valid $V_{BUS}$ voltage range
2	VBUS_VSAFE0V	1b	0b: $V_{BUS}$ is above $V_{BUS}$ VSafe0V threshold 1b: $V_{BUS}$ is below $V_{BUS}$ VSafe0V threshold
1	VBUS_PRESENCE	0b	0b: $V_{BUS}$ is below $V_{BUS}$ UVLO threshold 1b: $V_{BUS}$ is above $V_{BUS}$ UVLO threshold
0	VCONN_PRESENCE	0b or 1b	0b: $V_{CONN}$ is below $V_{CONN}$ UVLO threshold 1b: $V_{CONN}$ is above $V_{CONN}$ UVLO threshold

The default value of valid  $V_{BUS}$  voltage range can be changed in  $VBUS\_MONITORING\_RANGE\_CTRL$  register during the operation.

$V_{BUS}$  vSafe0V threshold is defined in  $VBUS\_MONITORING\_CTRL$  register. It is used in source power role as a Type-C FSM condition to establish a valid device attachment.

$V_{BUS}$  UVLO threshold is set by hardware.

$V_{CONN}$  UVLO threshold is defined in  $VCONN\_MONITORING\_CTRL$  register.



The reset value of VCONN\_PRESENCE bit is:

- 0b when  $V_{\text{CONN}}$  is not supplied on VCONN pin, or when  $V_{\text{CONN}}$  is supplied and voltage level is below UVLO threshold, or when  $V_{\text{CONN}}$  threshold detection circuit is disabled.
- 1b when  $V_{\text{CONN}}$  is supplied on VCONN pin and the voltage level is above UVLO threshold.

See [Section 8.3 Electrical and timing characteristics](#) for the threshold voltage description and value on VBUS\_SENSE and VCONN pins.

### 5.1.7 CC\_OPERATION\_STATUS

**Address:** 11h

**Access:** RO

*Note:* This register gives the current status of the device operating modes with respect to the Type-C FSM states as defined in the USB Type-C standard specification. This status is informative only and is not used to trigger any alert.

**Table 23. CC\_OPERATION\_STATUS register**

Bit	Field name	Reset	Description
7	CC_PIN_ATTACHED	0b	0b: CC1 is attached 1b: CC2 is attached
6:5	SINK_POWER_STATE	00b	00b: PowerDefault.SNK (source supplies default USB current) 01b: Power1.5.SNK (source supplies 1.5 A USB Type-C current) 10b: Power3.0.SNK (source supplies 3.0 A USB Type-C current) 11b: do not use

Bit	Field name	Reset	Description
4:0	TYPEC_FSM_STATE	00h or 08h	00h: Unattached.SNK
			01h: AttachWait.SNK
			02h: Attached.SNK
			03h: DebugAccessory.SNK
			04h: reserved
			05h: reserved
			06h: reserved
			07h: TryWait.SNK
			08h: Unattached.SRC
			09h: AttachWait.SRC
			0Ah: Attached.SRC
			0Bh: reserved
			0Ch: Try.SRC
			0Dh: Unattached.Accessory
			0Eh: AttachWait.Accessory
			0Fh: AudioAccessory
			10h: UnorientedDebugAccessory.SRC
			11h: reserved
			12h: reserved
			13h: ErrorRecovery
14h: TryDebounce.SNK (intermediate state towards Try.SNK state)			
15h: Try.SNK			
16h: reserved			
17h: TryWait.SRC			
18h: UnattachedWait.SRC ( $V_{CONN}$ intermediate discharge state)			
19h: OrientedDebugAccessory.SRC			
1Ah: reserved			
1Bh: reserved			
1Ch: reserved			
1Dh: reserved			
1Eh: reserved			
1Fh: reserved			

The reset value of TYPEC\_FSM\_STATE bits is:

- 00h when device operates in sink power role (Unattached.SNK)
- 08h when device operates in source power role (Unattached.SRC)

The CC\_PIN\_ATTACHED bit indicates which CC pin is connected to the CC line. Its value is consistent with the logic level of the A\_B\_SIDE output pin providing cable orientation.

The SINK\_POWER\_STATE bits indicate the current level advertised by the source that the sink can consume when the device works in sink power role.

The TYPEC\_FSM\_STATE bits indicate the current state of the Type-C FSM corresponding to the power mode defined in CC\_POWER\_MODE\_CTRL register.

### 5.1.8 HW\_FAULT\_STATUS\_TRANS

**Address:** 12h

**Access:** RC

*Note:* This register indicates a bit value change has occurred in HW\_FAULT\_STATUS register. It also alerts when the overtemperature condition is met.

**Table 24. HW\_FAULT\_STATUS\_TRANS register**

Bit	Field name	Reset	Description
7	THERMAL_FAULT	0b	0b: cleared 1b: junction temperature is above temperature threshold of 145° C
6	Reserved	0b	Do not use
5	VPU_OVP_FAULT_TRANS	0b	0b: cleared 1b: transition occurred on VPU_OVP_FAULT bit
4	VPU_VALID_TRANS	0b	0b: cleared 1b: transition occurred on VPU_VALID bit
3	Reserved	0b	Do not use
2	VCONN_SW_RVP_FAULT_TRANS	0b	0b: cleared 1b: transition occurred on VCONN_SW_RVP_FAULT bits
1	VCONN_SW_OCP_FAULT_TRANS	0b	0b: cleared 1b: transition occurred on VCONN_SW_OCP_FAULT bits
0	VCONN_SW_OVP_FAULT_TRANS	0b	0b: cleared 1b: transition occurred on VCONN_SW_OVP_FAULT bits

### 5.1.9 HW\_FAULT\_STATUS

**Address:** 13h

**Access:** RO

*Note:* This register provides information on hardware fault conditions related to the internal pull-up voltage in source power role and to the  $V_{CONN}$  power switches.

**Table 25. HW\_FAULT\_STATUS register**

Bit	Field name	Reset	Description
7	VPU_OVP_FAULT	0b	0b: voltage on CC pins is below OVP threshold of 6.0 V 1b: voltage on CC pins is above OVP threshold of 6.0 V
6	VPU_VALID	1b	0b: pull-up voltage on CC pins is below UVLO threshold of 2.8 V 1b: pull-up voltage on CC pins is above UVLO threshold of 2.8 V (safe condition)
5	VCONN_SW_RVP_FAULT_CC1	0b	0b: no reverse voltage on $V_{CONN}$ power switch connected to CC1 1b: reverse voltage detected on $V_{CONN}$ power switch connected to CC1
4	VCONN_SW_RVP_FAULT_CC2	0b	0b: no reverse voltage on $V_{CONN}$ power switch connected to CC2 1b: reverse voltage detected on $V_{CONN}$ power switch connected to CC2
3	VCONN_SW_OCP_FAULT_CC1	0b	0b: no short-circuit or overcurrent on $V_{CONN}$ power switch connected to CC1 1b: short-circuit or overcurrent detected on $V_{CONN}$ power switch connected to CC1
2	VCONN_SW_OCP_FAULT_CC2	0b	0b: no short-circuit or overcurrent on $V_{CONN}$ power switch connected to CC2 1b: short-circuit or overcurrent detected on $V_{CONN}$ power switch connected to CC2
1	VCONN_SW_OVP_FAULT_CC1	0b	0b: no overvoltage on $V_{CONN}$ power switch connected to CC1 1b: overvoltage detected on $V_{CONN}$ power switch connected to CC1
0	VCONN_SW_OVP_FAULT_CC2	0b	0b: no overvoltage on $V_{CONN}$ power switch connected to CC2 1b: overvoltage detected on $V_{CONN}$ power switch connected to CC2

The VPU\_VALID and VPU\_OVP\_FAULT bits are related to the internal pull-up voltage applied on the CC pins when the device works in source power role. They inform about an internal supply issue that could prevent the device from detecting a valid connection to a distant device.

### 5.1.10 CC\_CAPABILITY\_CTRL

**Address:** 18h

**Access:** R/W

**Note:** When operating in source power role, this register allows the advertising of the current capability to be changed as defined in the USB Type-C standard specification and the  $V_{CONN}$  supply capability.

**Table 26. CC\_CAPABILITY\_CTRL register**

Bit	Field name	Reset	Description
7:6	CC_CURRENT_ADVERTISED	01b <sup>(NVM)</sup>	00b: default USB current (500 mA or 900 mA) 01b: 1.5 A USB Type-C current 10b: 3.0 A USB Type-C current 11b: do not use
5	Reserved	1b	Do not use
4	CC_VCONN_DISCHARGE_EN	0b <sup>(NVM)</sup>	0b: $V_{CONN}$ discharge disabled on CC pin 1b: $V_{CONN}$ discharge enabled for 250 ms on CC pin
3:1	Reserved	000b	Do not use
0	CC_VCONN_SUPPLY_EN	1b <sup>(NVM)</sup>	0b: $V_{CONN}$ supply capability disabled on CC pin 1b: $V_{CONN}$ supply capability enabled on CC pin

#### 5.1.11 CC\_VCONN\_SWITCH\_CTRL

**Address:** 1Eh

**Access:** R/W

**Note:** This register allows the default current limit of the power switches supplying  $V_{CONN}$  on the CC pins to be changed.

**Table 27. CC\_VCONN\_SWITCH\_CTRL register**

Bit	Field name	Reset	Description
7:4	Reserved	0000b	Do not use
3:0	CC_VCONN_SWITCH_ILIM	0000b <sup>(NVM)</sup>	0000b: 350 mA (default) 0001b: 300 mA 0010b: 250 mA 0011b: 200 mA 0100b: 150 mA 0101b: 100 mA 0110b: 400 mA 0111b: 450 mA 1000b: 500 mA 1001b: 550 mA 1010b: 600 mA

#### 5.1.12 VCONN\_MONITORING\_CTRL

**Address:** 20h

**Access:** R/W

**Note:** This register allows the default voltage monitoring conditions for  $V_{CONN}$  to be modified.

**Table 28. VCONN\_MONITORING\_CTRL register**

Bit	Field name	Reset	Description
7	VCONN_MONITORING_EN	1b	0b: disables UVLO threshold detection on VCONN pin 1b: enables UVLO threshold detection on VCONN pin
6	VCONN_UVLO_THRESHOLD	0b	0b: selects high UVLO threshold (default) 1b: selects low UVLO threshold (case where V <sub>CONN</sub> -powered accessories operate down to 2.7 V)
5	Reserved	1b	Do not use
4	Reserved	0b	Do not use
3:0	Reserved	0000b	Do not use

Disabling the UVLO threshold detection on VCONN pin deactivates the V<sub>CONN</sub> power path and sets VCONN\_PRESENCE bit to 0b in the MONITORING\_STATUS register.

See [Section 8.3 Electrical and timing characteristics](#) for the threshold voltage description and value on VCONN pin.

### 5.1.13 VBUS\_MONITORING\_RANGE\_CTRL

**Address:** 22h

**Access:** R/W

*Note:* This register allows the low and high limits of the  $V_{BUS}$  monitoring voltage range to be changed during attachment.

**Table 29. VBUS\_MONITORING\_RANGE\_CTRL register**

Bit	Field name	Reset	Description
7:4	SHIFT_HIGH_VBUS_LIMIT	0000b (NVM)	Binary coded $V_{SHUSBH}$ coefficient to shift up the nominal high voltage limit from 1% (0001b) to 15% (1111b) of $V_{BUS}$ voltage by step of 1%
3:0	SHIFT_LOW_VBUS_LIMIT	0000b (NVM)	Binary coded $V_{SHUSBL}$ coefficient to shift down the nominal low voltage limit from 1% (0001b) to 15% (1111b) of $V_{BUS}$ voltage by step of 1%

$V_{BUS}$  voltage is fixed at 5.0 V. The nominal values of the high and low limits of  $V_{BUS}$  monitoring voltage range are respectively  $V_{BUS}+5\%$  and  $V_{BUS}-5\%$ . Each coefficient  $V_{SHUSBH}$  and  $V_{SHUSBL}$  represents the fraction of  $V_{BUS}$  voltage that is either added or subtracted to the nominal value of the corresponding limit to determine the  $V_{BUS}$  monitoring voltage limits (see [Section 8.3 Electrical and timing characteristics](#)).

When STUSB1600 is in unattached state, the register takes the reset values. When a device is attached, the register takes the values set in the NVM (see [Section 6 Start-up configuration](#)) or those set by software during attachment.

The register is valid for both power role. Depending on whether the device operates in source power role or sink power role, the register takes the values set in the NVM related to the running power role.

### 5.1.14 RESET\_CTRL

**Address:** 23h

**Access:** R/W

*Note:* This register allows the device to be reset by software.

**Table 30. RESET\_CTRL register**

Bit #	Field Name	Reset	Description
7:1	Reserved	0000000b	Do not use
0	SW_RESET_EN	0b	0b: device reset is performed by hardware RESET pin 1b: forces the device reset as long as this bit value is set

The SW\_RESET\_EN bit acts as the hardware RESET pin except that I<sup>2</sup>C control registers are not reset to their default value. They keep the last changed value. The SW\_RESET\_EN bit does not command the RESET pin.

### 5.1.15 VBUS\_DISCHARGE\_TIME\_CTRL

**Address:** 25h

**Access:** R/W

*Note:* This register contains the parameter used to define the  $V_{BUS}$  discharge time when the internal  $V_{BUS}$  discharge path is activated on  $V_{BUS\_SENSE}$  pin.



**Table 31. VBUS\_DISCHARGE\_TIME\_CTRL register**

Bit	Field name	Reset	Description
7:4	VBUS_DISCHARGE_TIME_TO_0V	0110b (NVM)	Binary coded $T_{DISPARAM}$ coefficient used to compute the $V_{BUS}$ discharge time to 0 V: $T_{DISUSB} = 84 \text{ ms (typical)} * T_{DISPARAM}$
3:0	Reserved	1111b	Do not use

### 5.1.16 VBUS\_DISCHARGE\_STATUS

**Address:** 26h

**Access:** RO

*Note:* This register gives information during the operation on the activation state of the internal  $V_{BUS}$  discharge path on  $VBUS\_SENSE$  pin.

**Table 32. VBUS\_DISCHARGE\_STATUS register**

Bit	Field name	Reset	Description
7	VBUS_DISCHARGE_EN	0b	0b: $V_{BUS}$ discharge path is deactivated 1b: $V_{BUS}$ discharge path is activated
6:1	Reserved	0000000b	Do not use

### 5.1.17 VBUS\_ENABLE\_STATUS

**Address:** 27h

**Access:** RO

*Note:* This register gives some information during operations on the activation state of the  $V_{BUS}$  power path through  $VBUS\_EN\_SRC$  pin in source power role and  $VBUS\_EN\_SNK$  pin in sink power role.

**Table 33. VBUS\_ENABLE\_STATUS register**

Bit	Field name	Reset	Description
7:2	Reserved	0b	Do not use
1	VBUS_SINK_EN	0b	0b: $V_{BUS}$ sink power path is disabled 1b: $V_{BUS}$ sink power path is enabled
0	VBUS_SOURCE_EN	0b	0b: $V_{BUS}$ source power path is disabled 1b: $V_{BUS}$ source power path is enabled

**5.1.18 CC\_POWER\_MODE\_CTRL**
**Address:** 28h

**Access:** R/W

*Note:* this register allows the default Type-C power mode to be changed if needed during an operation. It requires that the hardware implementation of the targeted application is consistent with the functioning of the new Type-C power mode selected.

**Table 34. CC\_POWER\_MODE\_CTRL register**

Bit	Field name	Reset	Description
7:3	Reserved	00000b	Do not use
2:0	CC_POWER_MODE	011 (NVM)	000b: source power role with accessory support 001b: sink power role with accessory support 010b: sink power role without accessory support 011b: dual power role with accessory support 100b: dual power role with accessory and Try.SRC support 101b: dual power role with accessory and Try.SNK support 110b: do not use 111b: do not use

**5.1.19 VBUS\_MONITORING\_CTRL**
**Address:** 2Eh

**Access:** R/W

*Note:* this register allows the default monitoring conditions of the  $V_{BUS}$  voltage over the power path from the VDD and  $V_{BUS\_SENSE}$  pins to be modified.

**Table 35. VBUS\_MONITORING\_CTRL register**

Bit	Field name	Reset	Description
7	Reserved	0b	Do not use
6	VDD_OVLO_DISABLE	0b(NVM)	0b: enables OVLO threshold detection on VDD pin 1b: disables OVLO threshold detection on VDD pin
5	Reserved	0b	Do not use
4	VBUS_VALID_RANGE_DISABLE	0b(NVM)	0b: enables valid $V_{BUS}$ voltage range detection 1b: disables valid $V_{BUS}$ voltage range detection ( $V_{BUS}$ UVLO threshold detection used instead)
3	Reserved	0b	Do not use
2:1	VBUS_VSAFE0V_THRESHOLD	00b (NVM)	00b : $V_{BUS}$ vSafe0V threshold = 0.6 V 01b : $V_{BUS}$ vSafe0V threshold = 0.9 V 10b : $V_{BUS}$ vSafe0V threshold = 1.2 V 11b : $V_{BUS}$ vSafe0V threshold = 1.8 V
0	VDD_UVLO_DISABLE	1b(NVM)	0b: enables UVLO threshold detection on VDD pin 1b: disables UVLO threshold detection on VDD pin

The `VBUS_VALID_RANGE_DISABLE` and `VBUS_VSAFE0V_THRESHOLD` bits define monitoring conditions applicable to `VBUS_SENSE` pin connected to USB Type-C receptacle side.

The `VBUS_VALID_RANGE_DISABLE` bit allows the valid  $V_{BUS}$  voltage range conditions to be substituted by the  $V_{BUS}$  UVLO threshold condition to establish a valid device attachment and to assert the  $V_{BUS}$  power path.

The `VBUS_VSAFE0V_THRESHOLD` bit indicates the voltage value of the  $V_{BUS}$  vSafe0V threshold used in source power role as a Type-C FSM condition to establish a valid device attachment.

The `VDD_UVLO_DISABLE` and `VDD_OVLO_DISABLE` bit define monitoring conditions applicable to VDD supply pin when it is connected to the main power supply in source power role only:

- When UVLO detection is enabled, `VBUS_EN_SRC` pin is asserted only if voltage on VDD pin is above  $V_{DDUVLO}$  threshold
- When OVLO detection is enabled, `VBUS_EN_SRC` pin is asserted only if voltage on VDD pin is below  $V_{DDOVLO}$  threshold

See [Section 8.3 Electrical and timing characteristics](#) for the threshold voltage description and value on VDD and `VBUS_SENSE` pins.

## 6 Start-up configuration

### 6.1 User-defined parameters

The STUSB1600 has a set of user-defined parameters that can be customized by NVM re-programming and/or by software through I<sup>2</sup>C interface. It allows the customer to change the preset configuration of USB Type-C interface and to define a new configuration to meet specific customer requirements addressing various applications, use cases or specific implementations.

The NVM re-programming overrides the initial default setting to define a new default setting that is used at power-up or after a reset. The default value is copied at power-up, or after a reset, from the embedded NVM into dedicated I<sup>2</sup>C register bits (see [Section 5.1 Register description](#)).

When a default value is changed during functioning by software, the new setting remains in effect as long as the STUSB1600 operates or when it is changed again. But after power-off and power-up, or after a reset, the STUSB1600 takes back default values defined in the NVM.

### 6.2 Default start-up configuration

The table below lists the user-defined parameters and indicates the default start-up configuration of the STUSB1600.

Three types of user-defined parameters are specified in the table with respect to the “Customization type” column:

- SW: indicates parameters that can be customized only by software through I<sup>2</sup>C interface during system operations
- NVM: indicates parameters that can be customized by NVM re-programming only
- NVM/SW: indicates parameters that can be customized by NVM re-programming and/or by software through I<sup>2</sup>C interface during system operations

**Table 36. STUSB1600 user-defined parameters and default settings**

Customization type	Parameter	Default value and description	I <sup>2</sup> C register address
NVM / SW	CC_CONNECTION_STATUS_AL_MASK	1b: interrupt masked	0Ch
NVM / SW	MONITORING_STATUS_AL_MASK	1b: interrupt masked	0Ch
NVM / SW	HW_FAULT_STATUS_AL_MASK	1b: interrupt masked	0Ch
NVM	STANDBY_POWER_MODE_DISABLE	1b: disables standby power mode	n. a.
NVM / SW	CC_CURRENT_ADVERTISED	01b: 1.5 A	18h
NVM / SW	CC_VCONN_DISCHARGE_EN	0b: V <sub>CONN</sub> discharge disabled on CC pin	18h
NVM / SW	CC_VCONN_SUPPLY_EN	1b: V <sub>CONN</sub> supply capability enabled on CC pin	18h
NVM / SW	CC_VCONN_SWITCH_ILIM	0000b: 350 mA	1Eh
SW	VCONN_MONITORING_EN	1b: enables UVLO threshold detection on VCONN pin	20h
SW	VCONN_UVLO_THRESHOLD	0b: high UVLO threshold of 4.65 V	20h
NVM / SW	SHIFT_HIGH_VBUS_LIMIT_SOURCE	0101b: V <sub>SHUSBH</sub> = 5% of V <sub>BUS</sub> , high voltage limit V <sub>MONUSBH Source</sub> = V <sub>BUS</sub> +10%	22h
NVM / SW	SHIFT_LOW_VBUS_LIMIT_SOURCE	0101b: V <sub>SHUSBL</sub> = 5% of V <sub>BUS</sub> , low voltage limit V <sub>MONUSBL Source</sub> = V <sub>BUS</sub> -10%	22h

Customization type	Parameter	Default value and description	I <sup>2</sup> C register address
NVM/SW	SHIFT_HIGH_VBUS_LIMIT_SINK	0101b: V <sub>SHUSBH</sub> = 5% of V <sub>BUS</sub> , high voltage limit V <sub>MONUSBH Sink</sub> = V <sub>BUS</sub> +10%	22h
NVM / SW	SHIFT_LOW_VBUS_LIMIT_SINK	1111b: V <sub>SHUSBL</sub> = 15% of V <sub>BUS</sub> , low voltage limit V <sub>MONUSBL Sink</sub> = V <sub>BUS</sub> -20%	22h
SW	SW_RESET_EN	0b: device reset is performed from hardware RESET pin	23h
NVM / SW	VBUS_DISCHARGE_TIME_TO_0V	0110b: T <sub>DISPARAM</sub> = 6, discharge time T <sub>DISUSB</sub> = 504 ms	25h
NVM	VBUS_DISCHARGE_DISABLE	0b: enables V <sub>BUS</sub> discharge path	n.a.
NVM / SW	CC_POWER_MODE	011b: dual power role with accessory support	28h
NVM / SW	VDD_OVLO_DISABLE	0b: enables OVLO threshold detection on VDD pin	2Eh
NVM / SW	VDD_VALID_RANGE_DISABLE	0b: enables valid V <sub>BUS</sub> voltage range detection	2Eh
NVM / SW	VBUS_VSAFE0V_THRESHOLD	00b: V <sub>BUS</sub> vSafe0V threshold = 0.6 V	2Eh
NVM / SW	VDD_UVLO_DISABLE	1b: disables UVLO threshold detection on VDD pin	2Eh

## 7 Application

The sections below are not part of ST product specifications. They are intended to give a generic application overview to be used by the customer as a starting point for further implementations and customizations. ST does not warrant compliance with customer specifications. Full system implementation and validation are under customer's responsibility.

### 7.1 General information

#### 7.1.1 Power supplies

The STUSB1600 can be supplied in three different ways depending on the targeted application:

- Through VDD pin only for applications powered by  $V_{BUS}$  only that operate either in source power role or in sink power role with dead-battery mode support
- Through VSYS pin only for AC-powered applications with a system power supply delivering 3.3 V or 5 V
- Through VDD and VSYS pins either for applications powered by a battery with a dead-battery mode support or for applications powered by  $V_{BUS}$  with a system power supply delivering 3.3 V or 5 V. When both VDD and VSYS power supplies are present, the low power supply VSYS is selected when VSYS voltage is above 3.1 V. Otherwise VDD is selected

#### 7.1.2 Connection to MCU or application processor

The connection to an MCU or an application processor is optional.

When a connection through I<sup>2</sup>C interface is implemented, it provides extensive functionality during system operations. For instance, it may be used to:

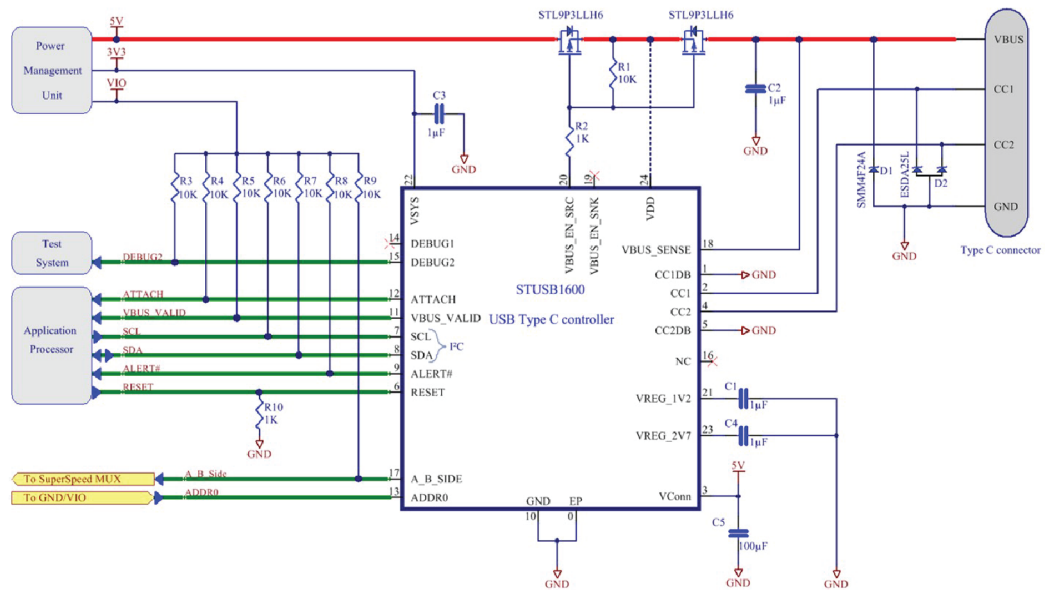
1. Define the port configuration during system boot (in case the NVM parameters are not customized during manufacturing)
2. Change the default configuration at any time during operations
3. Re-configure the port power mode (i.e. source, sink or dual role),
4. Adjust the port power capability in source power role according to contextual power availability and/or the power partitioning with other ports
5. Save system power by shutting down the DC-DC converter according to the attachment detection state
6. Provide a diagnostic of the Type-C connection and the  $V_{BUS}$  power path in real time

## 7.2 USB Type-C typical applications

### 7.2.1 Source type application

#### 7.2.1.1 Application schematic

Figure 7. Implementation example in source type application



#### 7.2.1.2 Default start-up configuration

Table 37. Default setting for a source type application

Customization type	Parameter	Default value and description	I <sup>2</sup> C register address
NVM /SW	CC_CONNECTION_STATUS_AL_MASK	1b: interrupt masked	0Ch
NVM /SW	MONITORING_STATUS_AL_MASK	1b: interrupt masked	0Ch
NVM /SW	HW_FAULT_STATUS_AL_MASK	1b: interrupt masked	0Ch
NVM	STANDBY_POWER_MODE_DISABLE	1b: disables standby power mode	n. a.
NVM /SW	CC_CURRENT_ADVERTISED	01b: 1.5 A	18h
NVM /SW	CC_VCONN_DISCHARGE_EN	0b: VCONN discharge disabled on CC pin	18h
NVM /SW	CC_VCONN_SUPPLY_EN	1b: VCONN supply capability enabled on CC pin	18h
NVM /SW	CC_VCONN_SWITCH_ILIM	0000b: 350 mA	1Eh
SW	VCONN_MONITORING_EN	1b: enables UVLO threshold detection on VCONN pin	20h
SW	VCONN_UVLO_THRESHOLD	0b: high UVLO threshold of 4.65 V	20h

Customization type	Parameter	Default value and description	I <sup>2</sup> C register address
NVM /SW	SHIFT_HIGH_VBUS_LIMIT_SOURCE	0101b: V <sub>SHUSBH</sub> = 5% of V <sub>BUS</sub> , high voltage limit V <sub>MONUSBH Source</sub> = V <sub>BUS</sub> +10%	22h
NVM /SW	SHIFT_LOW_VBUS_LIMIT_SOURCE	0101b: V <sub>SHUSBL</sub> = 5% of V <sub>BUS</sub> , low voltage limit V <sub>MONUSBL Source</sub> = V <sub>BUS</sub> -10%	22h
SW	SW_RESET_EN	0b: device reset is performed from hardware RESET pin	23h
NVM /SW	VBUS_DISCHARGE_TIME_TO_0V	0110b: T <sub>DISPARAM</sub> = 6, discharge time T <sub>DISUSB</sub> = 504 ms	25h
NVM	VBUS_DISCHARGE_DISABLE	0b: enables V <sub>BUS</sub> discharge path	n. a.
NVM /SW	CC_POWER_MODE	000b: source power role with accessory support <sup>(1)</sup>	28h
NVM /SW	VDD_OVLO_DISABLE	0b: enables OVLO threshold detection on VDD pin	2Eh
NVM /SW	VBUS_VALID_RANGE_DISABLE	0b: enables valid V <sub>BUS</sub> voltage range detection	2Eh
NVM /SW	VBUS_VSAFE0V_THRESHOLD	00b : V <sub>BUS</sub> vSafe0V threshold = 0.6 V	2Eh
NVM /SW	VDD_UVLO_DISABLE	1b: disables UVLO threshold detection on VDD pin	2Eh

1. Indicates parameter customized by NVM re-programming.

### 7.2.1.3 VBUS power path assertion

**Table 38. Conditions for V<sub>BUS</sub> power path assertion in source power role**

Pin	Electrical value	Operation conditions			Comment
		Type-C attached state	VDD pin monitoring	VBUS_SENSE pin monitoring	
VBUS_EN_SRC	0	Attached.SRC or UnorientedDebug Accessory.SRC or OrientedDebug Accessory.SRC	V <sub>DD</sub> < V <sub>DDOVLO</sub> if VDD pin is supplied	V <sub>BUS</sub> is within valid voltage range	The signal is asserted only if all the valid operation conditions are met
	HiZ	Any other state	V <sub>DD</sub> > V <sub>DDOVLO</sub> if VDD pin is supplied	V <sub>BUS</sub> is out of valid voltage range	The signal is de-asserted when at least one non-valid operation condition is met.



**7.2.1.4 Device state according to connection state**
**Table 39. Source power role with accessory support**

Connection state	CC1 pin	CC2 pin	Type-C device state CC_OPERATION_STATUS register@11h	A_B_SIDE pin	VCONN supply	VBUS_EN_SRC pin	CC_CONNECTION_STATUS register @0Eh
Nothing attached	Open	Open	Unattached.SRC	HiZ	OFF	HiZ	00h
Sink attached	Rd	Open	Attached.SRC	HiZ	OFF	0	2Dh
	Open	Rd		0	OFF	0	2Dh
Powered cable without sink attached	Open	Ra	Unattached.SRC	HiZ	OFF	HiZ	00h
	Ra	Open		HiZ	OFF	HiZ	00h
Powered cable with sink attached or Vconn-powered Accessory attached	Rd	Ra	Attached.SRC	HiZ	CC2	0	2Fh
	Ra	Rd		0	CC1	0	2Fh
Debug accessory mode attached source role	Rp	Rp	Unattached.SRC	HiZ	OFF	HiZ	00h
Debug accessory mode attached sink role	Rd	Rd	UnorientedDebug Accessory.SRC	HiZ	OFF	0	6Dh
Debug accessory mode attached sink role	Rd	≤Ra	OrientedDebug Accessory.SRC	HiZ	OFF	0	6Dh
	≤Ra	Rd		0	OFF	0	6Dh
Audio adapter accessory mode attached	Ra	Ra	AudioAccessory	HiZ	OFF	HiZ	81h

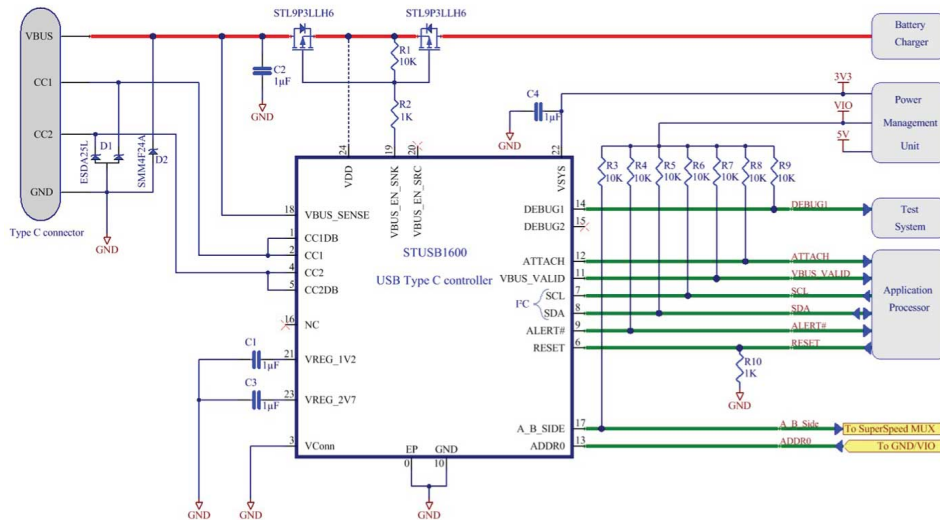
The value of CC1 and CC2 pins is defined from a termination perspective and corresponds to the termination presented by the connected device.

The CC\_CONNECTION\_STATUS register can report other values than the one presented in this table. This reflects the state transitions in Type-C FSM that can be ignored from the application stand point.

## 7.2.2 Sink type application

### 7.2.2.1 Application schematic in sink type

**Figure 8. Implementation example in sink type application**



*Note:* The schematic configuration is in dead-battery mode.

### 7.2.2.2 Default start-up configuration

**Table 40. Default setting for a sink type application**

Customization type	Parameter	Default value and description	I <sup>2</sup> C register address
NVM / SW	CC_CONNECTION_STATUS_AL_MASK	1b: interrupt masked	0Ch
NVM / SW	MONITORING_STATUS_AL_MASK	1b: interrupt masked	0Ch
NVM / SW	HW_FAULT_STATUS_AL_MASK	1b: interrupt masked	0Ch
NVM	STANDBY_POWER_MODE_DISABLE	1b: disables standby power mode	n. a.
NVM / SW	CC_CURRENT_ADVERTISED	01b: 1.5 A	18h
NVM / SW	CC_VCONN_DISCHARGE_EN	0b: VCONN discharge disabled on CC pin	18h
NVM / SW	CC_VCONN_SUPPLY_EN	1b: VCONN supply capability enabled on CC pin	18h
NVM / SW	CC_VCONN_SWITCH_ILIM	0000b: 350 mA	1Eh
SW	VCONN_MONITORING_EN	1b: enables UVLO threshold detection on VCONN pin	20h
SW	VCONN_UVLO_THRESHOLD	0b: high UVLO threshold of 4.65 V	20h
NVM / SW	SHIFT_HIGH_VBUS_LIMIT_SINK	0101b: V <sub>SHUSBH</sub> = 5% of V <sub>BUS</sub> , high voltage limit V <sub>MONUSBH Sink</sub> = V <sub>BUS</sub> +10%	22h

Customization type	Parameter	Default value and description	I <sup>2</sup> C register address
NVM / SW	SHIFT_LOW_VBUS_LIMIT_SINK	1111b: V <sub>SHUSBL</sub> = 15% of V <sub>BUS</sub> , low voltage limit V <sub>MONUSBL</sub> Sink = V <sub>BUS</sub> -20%	22h
SW	SW_RESET_EN	0b: device reset is performed from hardware RESET pin	23h
NVM / SW	VBUS_DISCHARGE_TIME_TO_0V	0110b: T <sub>DISPARAM</sub> = 6, discharge time T <sub>DISUSB</sub> = 504 ms	25h
NVM	VBUS_DISCHARGE_DISABLE	0b: enables V <sub>BUS</sub> discharge path	n. a.
NVM / SW	CC_POWER_MODE	001b: sink power role with accessory support <sup>(1)</sup>	28h
NVM / SW	VDD_OVLO_DISABLE	0b: enables OVLO threshold detection on VDD pin	2Eh
NVM / SW	VBUS_VALID_RANGE_DISABLE	0b: enables valid V <sub>BUS</sub> voltage range detection	2Eh
NVM / SW	VBUS_VSAFE0V_THRESHOLD	00b: V <sub>BUS</sub> vSafe0V threshold = 0.6 V	2Eh
NVM / SW	VDD_UVLO_DISABLE	1b: disables UVLO threshold detection on VDD pin	2Eh

1. Indicates parameter customized by NVM re-programming.

### 7.2.2.3 VBUS power path assertion

**Table 41. Conditions for V<sub>BUS</sub> power path assertion in sink power role**

Pin	Electrical value	Operation conditions			Comment
		Type-C attached state	VDD pin monitoring	VBUS_SENSE pin monitoring	
VBUS_EN_SNK	0	Attached.SNK or DebugAccessory.SNK	Not applicable	V <sub>BUS</sub> is within valid voltage range	The signal is asserted only if all the valid operation conditions are met.
	HiZ	Any other state	Not applicable	V <sub>BUS</sub> is out of valid voltage range	The signal is de-asserted when at least one non-valid operation condition is met.

### 7.2.2.4 Device state according to connection state

**Table 42. Sink power role with accessory support**

Connection state	CC1 pin	CC2 pin	Type-C device state CC_OPERATION_STATUS register @11h	A_B_SIDE pin	VCONN supply	VBUS_EN_SNK pin	CC_CONNECTION_STATUS register @0Eh
Nothing attached	Open	Open	(Toggling) Unattached. SNK Unattached. ACC	HiZ	OFF	HiZ	00h

Connection state	CC1 pin	CC2 pin	Type-C device state CC_OPERATION_STATUS register @11h	A_B_SIDE pin	VCONN supply	VBUS_EN_SNK pin	CC_CONNECTION_STATUS register @0Eh
Source attached	Rp	Open or Ra	Attached.	HiZ	OFF	0	41h
	Open or Ra	Rp	SNK	0	OFF	0	41h
Powered cable without source attached	Open	Ra	(Toggling) Unattached.	HiZ	OFF	HiZ	00h
	Ra	Open	SNK Unattached. ACC	HiZ	OFF	HiZ	00h
Debug accessory mode attached sink role	Rd	Rd	(Toggling) Unattached. SNK Unattached. ACC	HiZ	OFF	HiZ	00h
Debug accessory mode attached source role	Rp def/ 1.5 A/ 3 A	Rp def/ 1.5A/3A	Debug Accessory.SNK (default USB)	HiZ	OFF	0	61h
Debug accessory mode attached source role	Rp 3 A	Rp 1.5 A	Debug Accessory.SNK (Default USB)	HiZ	OFF	0	61h
	Rp 1.5 A	Rp 3 A		0			61h
Debug accessory mode attached source role	Rp 1.5 A	Rp def.	Debug Accessory.SNK (1.5 A)	HiZ	OFF	0	61h
	Rp def.	Rp 1.5 A		0			61h
Debug accessory mode attached source role	Rp 3 A	Rp def.	Debug Accessory.SNK (3.0 A)	HiZ	OFF	0	61h
	Rp def.	Rp 3 A		0			61h
Audio adapter accessory mode attached	Ra	Ra	Audio accessory	HiZ	OFF	HiZ	81h
VCONN-powered accessory attached	Rd	Ra	(Toggling) Unattached.	HiZ	OFF	HiZ	00h
	Ra	Rd	SNK Unattached. ACC	HiZ	OFF	HiZ	00h

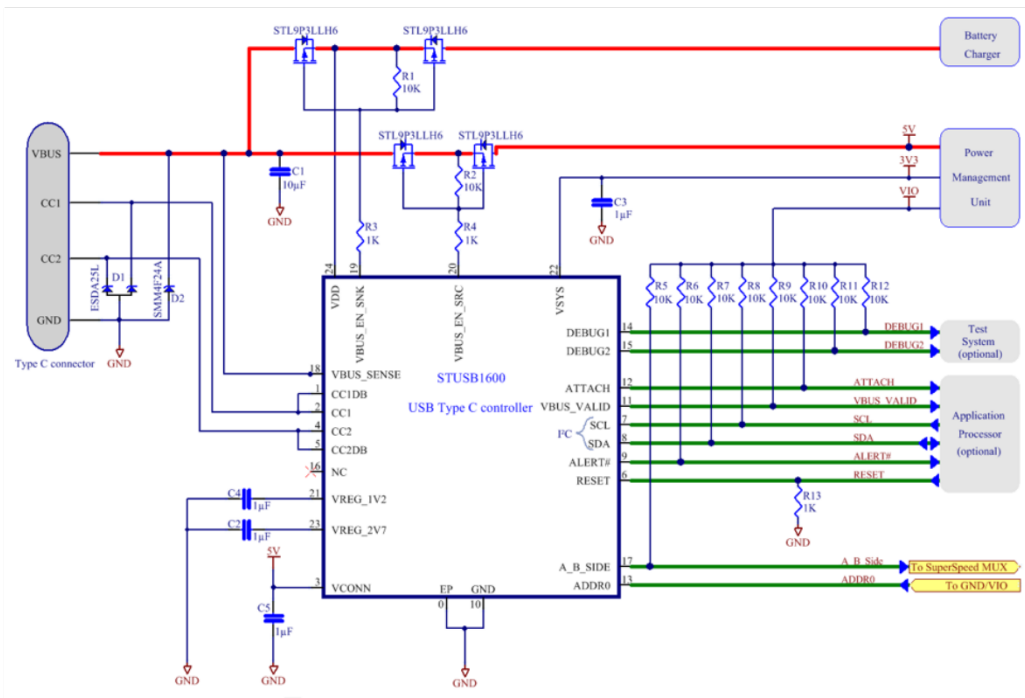
The value of CC1 and CC2 pins is defined from a termination perspective and corresponds to the termination presented by the connected device.

The CC\_CONNECTION\_STATUS register can report other values than the one presented inside this table. This reflects the state transitions in Type-C FSM that can be ignored from the application stand point.

### 7.2.3 Dual role type application

#### 7.2.3.1 Application schematic

Figure 9. Implementation example in dual role type application



Note: The schematic configuration in dead-battery mode.

**7.2.3.2 Default start-up configuration**
**Table 43. Default setting for a dual role type application**

Customization type	Parameter	Default value and description	I <sup>2</sup> C register address
NVM / SW	CC_CONNECTION_STATUS_AL_MASK	1b: interrupt masked	0Ch
NVM / SW	MONITORING_STATUS_AL_MASK	1b: interrupt masked	0Ch
NVM / SW	HW_FAULT_STATUS_AL_MASK	1b: interrupt masked	0Ch
NVM	STANDBY_POWER_MODE_DISABLE	1b: disables standby power mode	n. a.
NVM / SW	CC_CURRENT_ADVERTISED	01b: 1.5 A	18h
NVM / SW	CC_VCONN_DISCHARGE_EN	0b: VCONN discharge disabled on CC pin	18h
NVM / SW	CC_VCONN_SUPPLY_EN	1b: VCONN supply capability enabled on CC pin	18h
NVM / SW	CC_VCONN_SWITCH_ILIM	0000b: 350 mA	1Eh
SW	VCONN_MONITORING_EN	1b: enables UVLO threshold detection on VCONN pin	20h
SW	VCONN_UVLO_THRESHOLD	0b: high UVLO threshold of 4.65 V	20h
NVM / SW	SHIFT_HIGH_VBUS_LIMIT_SOURCE	0101b: V <sub>SHUSBH</sub> = 5% of V <sub>BUS</sub> , high voltage limit V <sub>MONUSBH Source</sub> = V <sub>BUS</sub> +10%	22h
NVM / SW	SHIFT_LOW_VBUS_LIMIT_SOURCE	0101b: V <sub>SHUSBL</sub> = 5% of V <sub>BUS</sub> , low voltage limit V <sub>MONUSBL Source</sub> = V <sub>BUS</sub> -10%	22h
NVM / SW	SHIFT_HIGH_VBUS_LIMIT_SINK	0101b: V <sub>SHUSBH</sub> = 5% of V <sub>BUS</sub> , high voltage limit V <sub>MONUSBH Sink</sub> = V <sub>BUS</sub> +10%	22h
NVM / SW	SHIFT_LOW_VBUS_LIMIT_SINK	1111b: V <sub>SHUSBL</sub> = 15% of V <sub>BUS</sub> , low voltage limit V <sub>MONUSBL Sink</sub> = V <sub>BUS</sub> -20%	22h
SW	SW_RESET_EN	0b: device reset is performed from hardware RESET pin	23h
NVM / SW	VBUS_DISCHARGE_TIME_TO_0V	0110b: T <sub>DISPARAM</sub> = 6, discharge time T <sub>DISUSB</sub> = 504 ms	25h
NVM	VBUS_DISCHARGE_DISABLE	0b: enables V <sub>BUS</sub> discharge path	n. a.
NVM / SW	CC_POWER_MODE	011b: dual power role with accessory support	28h
NVM / SW	VDD_OVLO_DISABLE	0b: enables OVLO threshold detection on VDD pin	2Eh
NVM / SW	VBUS_VALID_RANGE_DISABLE	0b: enables valid V <sub>BUS</sub> voltage range detection	2Eh
NVM / SW	VBUS_VSAFE0V_THRESHOLD	00b : V <sub>BUS</sub> vSafe0V threshold = 0.6 V	2Eh
NVM / SW	VDD_UVLO_DISABLE	1b: disables UVLO threshold detection on VDD pin	2Eh

**7.2.3.3 VBUS power path assertion**
**Table 44. Conditions for  $V_{BUS}$  power path assertion in source power role**

Pin	Electrical value	Operation conditions			Comment
		Type-C attached state	VDD pin monitoring	VBUS_SENSE pin monitoring	
VBUS_EN_SRC	0	Attached.SRC or UnorientedDebug Accessory.SRC or OrientedDebug Accessory.SRC	$V_{DD} < V_{DDOVLO}$ if VDD pin is supplied	$V_{BUS}$ within valid voltage range	The signal is asserted only if all the valid operation conditions are met
	HiZ	Any other state	$V_{DD} > V_{DDOVLO}$ if VDD pin is supplied	$V_{BUS}$ is out of valid voltage range	The signal is de-asserted when at least one non-valid operation condition is met

**Table 45. Conditions for  $V_{BUS}$  power path assertion in sink power role**

Pin	Electrical value	Operation conditions			Comment
		Type-C attached state	VDD pin monitoring	VBUS_SENSE pin monitoring	
VBUS_EN_SNK	0	Attached.SNK or Debug Accessory.SNK	Not applicable	$V_{BUS}$ is within valid voltage range	The signal is asserted only if all the valid operation conditions are met
	HiZ	Any other state	Not applicable	$V_{BUS}$ is out of valid voltage range	The signal is de-asserted when at least one non-valid operation condition is met

**7.2.3.4 Device state according to connection state**
**Table 46. Dual power role with accessory support**

Connect. state	CC1 pin	CC2 pin	Type-C device state CC_ OPERAT_ STATUS register @11h	A_B_SIDE pin	VCONN supply	VBUS_EN_SRC pin	VBUS_EN_SNK pin	CC_CONNECTION_ STATUS register @0Eh
Nothing attached	Open	Open	(Toggling) Unattached.SRC Unattached.SNK	HiZ	OFF	HiZ	HiZ	00h
Sink attached	Rd	Open	Attached. SRC	HiZ	OFF	0	HiZ	2Dh
	Open	Rd		0	OFF	0	HiZ	2Dh
Powered cable without sink or source attached	Open	Ra	(Toggling) Unattached.SRC Unattached.SNK	HiZ	OFF	HiZ	HiZ	00h
	Ra	Open		HiZ	OFF	HiZ	HiZ	00h
Powered cable with sink attached or VCONN powered accessory attached	Rd	Ra	Attached. SRC	HiZ	CC2	0	HiZ	2Fh
	Ra	Rd		0	CC1	0	HiZ	2Fh
Debug accessory mode attached sink role	Rd	Rd	UnorientedDebug Accessory.SRC	HiZ	OFF	0	HiZ	6Dh
Debug accessory mode attached sink role	Rd	≤Ra	Oriented Debug Accessory.SRC	HiZ	OFF	0	HiZ	6Dh
	≤Ra	Rd		0	OFF	0	HiZ	6Dh
Audio adapter accessory mode attached	Ra	Ra	Audio Accessory	HiZ	OFF	HiZ	HiZ	81h
Source attached	Rp	Open or Ra	Attached. SNK	HiZ	OFF	HiZ	0	41h
	Open or Ra	Rp		0	OFF	HiZ	0	41h
Debug accessory mode attached source role	Rp def/ 1.5 A/3 A	Rp def/ 1.5 A/3 A	Debug Accessory.SNK (default USB)	HiZ	OFF	HiZ	0	61h
	Rp 3 A	Rp 1.5 A		HiZ	OFF	HiZ	0	61h
	Rp 1.5 A	Rp 3 A		0	OFF	HiZ	0	61h



Connect. state	CC1 pin	CC2 pin	Type-C device state CC_OPERAT_STATUS register @11h	A_B_SIDE pin	VCONN supply	VBUS_EN_SRC pin	VBUS_EN_SNK pin	CC_CONNECTION_STATUS register @0Eh
Debug accessory mode attached source role	Rp 1.5 A	Rp def.	Debug Accessory.SNK (1.5 A)	HiZ	OFF	HiZ	0	61h
	Rp def	Rp 1.5 A		0	OFF	HiZ	0	61h
Debug accessory mode attached source role	Rp 3 A	Rp def.	Debug Accessory.SNK (3.0 A)	HiZ	OFF	HiZ	0	61h
	Rp def.	Rp 3 A		0	OFF	HiZ	0	61h

The value of CC1 and CC2 pins is defined from a termination perspective and corresponds to the termination presented by the connected device.

The CC\_CONNECTION\_STATUS register can report other values than the one presented inside this table. This reflects the state transitions in Type-C FSM that can be ignored from the application stand point.

## 8 Electrical characteristics

### 8.1 Absolute maximum ratings

All voltages are referenced to GND.

**Table 47. Absolute maximum ratings**

Symbol	Parameter	Value	Unit	
V <sub>DD</sub>	Supply voltage on VDD pin	28	V	
V <sub>SYS</sub>	Supply voltage on VSYS pin	6		
V <sub>CC1</sub> , V <sub>CC2</sub> V <sub>CC1DB</sub> , V <sub>CC2DB</sub>	High voltage on CC pins	22		
V <sub>VBUS_EN_SRC</sub> V <sub>VBUS_EN_SNK</sub> V <sub>VBUS_SENSE</sub>	High voltage on V <sub>BUS</sub> pins	28		
V <sub>SCL</sub> , V <sub>SDA</sub> V <sub>ALERT#</sub> V <sub>RESET</sub> V <sub>ATTACH</sub> V <sub>A_B_SIDE</sub> V <sub>BUS_VALID</sub> V <sub>DEBUG1</sub> V <sub>DEBUG2</sub>	Operating voltage on I/O pins	-0.3 to 6		
V <sub>CONN</sub>	V <sub>CONN</sub> voltage	6		
T <sub>STG</sub>	Storage temperature	-55 to 150		°C
T <sub>J</sub>	Maximum junction temperature	145		
ESD	HBM	4		kV
	CDM	1.5		

## 8.2 Operating conditions

**Table 48. Operating conditions**

Symbol	Parameter	Value	Unit	
V <sub>DD</sub>	Supply voltage on VDD pin	4.1 to 22	V	
V <sub>SYS</sub>	Supply voltage on VSYS pin	3.0 to 5.5		
V <sub>CC1</sub> , V <sub>CC2</sub> V <sub>CC1DB</sub> , V <sub>CC2DB</sub>	CC pins	0 to 5.5		
V <sub>VBUS_EN_SRC</sub> V <sub>VBUS_EN_SNK</sub> V <sub>VBUS_SENSE</sub>	High voltage pins	0 to 22		
V <sub>SCL</sub> , V <sub>SDA</sub> V <sub>ALERT#</sub> V <sub>RESET</sub> V <sub>ATTACH</sub> V <sub>A_B_SIDE</sub> V <sub>VBUS_VALID</sub> V <sub>DEBUG1</sub> V <sub>DEBUG2</sub>	Operating voltage on I/O pins	0 to 4.5		
V <sub>CONN</sub>	V <sub>CONN</sub> voltage	2.7 to 5.5		
I <sub>CONN</sub>	V <sub>CONN</sub> rated current (default = 0.35 A)	0.1 to 0.6		A
T <sub>A</sub>	Operating temperature	-40 to 105		°C

### 8.3 Electrical and timing characteristics

Unless otherwise specified:  $V_{DD} = 5\text{ V}$ ,  $T_A = 25\text{ }^\circ\text{C}$ , all voltages are referred to GND.

**Table 49. Electrical characteristics**

Symbol	Parameter	Conditions	Min.	Typ.	Max.	Unit
$I_{DD(SRC)}$	Current consumption	Device idle as a SOURCE (not connected, no communication) $V_{SYS} @ 3.3\text{ V}$		158		$\mu\text{A}$
		Device idle as a SOURCE (not connected, no communication) $V_{DD} @ 5.0\text{ V}$		188		
$I_{DD(SNK)}$	Current consumption	Device idle as a SINK (not connected, no communication) $V_{SYS} @ 3.3\text{ V}$		113		
		Device idle as a SINK (not connected, no communication) $V_{DD} @ 5.0\text{ V}$		140		
$I_{STDBY}$	Standby current consumption	Device standby (not connected, low power) $V_{SYS} @ 3.3\text{ V}$		33		
		Device standby (not connected, low power) $V_{DD} @ 5.0\text{ V}$		53		
CC1 and CC2 pins						
$I_{P-USB}$	CC current sources	CC pin voltage $V_{CC} = 0$ to $2.6\text{ V}$ , $40\text{ }^\circ\text{C} < T_A < +105\text{ }^\circ\text{C}$	-20%	80	+20%	$\mu\text{A}$
$I_{P-1.5}$			-8%	180	+8%	
$I_{P-3.0}$			-8%	330	+8%	
$V_{CCO}$	CC open pin voltage	CC unconnected, $V_{DD} = 3.0$ to $5.5\text{ V}$	2.75			V
$R_d$	CC pull-down resistors	$-40\text{ }^\circ\text{C} < T_A < +105\text{ }^\circ\text{C}$	-10%	5.1	+10%	k $\Omega$
$V_{CCDB-1.5}$	CC pin voltage in dead battery condition	External $I_P = 180\text{ }\mu\text{A}$ applied into CC  External $I_P = 330\text{ }\mu\text{A}$ applied into CC  $V_{DD} = 0\text{ V}$ , dead-battery function enabled			1.2	V
$V_{CCDB-3.0}$					2.0	
$R_{INCC}$	CC input impedance	Pull-up and pull-down resistors off	200			k $\Omega$

Symbol	Parameter	Conditions	Min.	Typ.	Max.	Unit
$V_{TH0.2}$	Detection threshold 1	Max. $R_a$ detection by source at $I_P = I_{P\_USB}$ , min. $I_{P\_USB}$ detection by sink on $R_d$ , min. CC voltage for connected sink	0.15	0.20	0.25	V
$V_{TH0.4}$	Detection threshold 2	Max. $R_a$ detection by source at $I_P = I_{P-1.5}$	0.35	0.40	0.45	V
$V_{TH0.66}$	Detection threshold 3	Min. $I_{P-1.5}$ detection by sink on $R_d$	0.61	0.66	0.70	V
$V_{TH0.8}$	Detection threshold 4	Max. $R_a$ detection by source at $I_P = I_{P-3.0}$	0.75	0.80	0.85	V
$V_{TH1.23}$	Detection threshold 5	Min. $I_{P-3.0}$ detection by sink on $R_d$	1.16	1.23	1.31	V
$V_{TH1.6}$	Detection threshold 6	Max. $R_d$ detection by source at $I_P = I_{P\_USB}$ and $I_P = I_{P-1.5}$	1.50	1.60	1.65	V
$V_{TH2.6}$	Detection threshold 7	Max. $R_d$ detection by source at $I_{P-3.0}$ , max. CC voltage for connected sink	2.45	2.60	2.75	V
VCONN pin and power switches						
$R_{VCONN}$	$V_{CONN}$ path resistance	$I_{VCONN} = 0.2$ A $-40$ °C < $T_A$ < $+105$ °C	0.25	0.5	0.975	Ω
$I_{OCP}$	Overcurrent protection	Programmable current limit threshold (from 100 mA to 600 mA by step of 50 mA)	85 300 550	100 350 600	125 400 650	mA
$V_{OVP}$	Overvoltage protection on CC output pins		5.9	6	6.1	V
$V_{UVP}$	Undervoltage protection on VCONN input pin	Low UVLO threshold High UVLO threshold (default)	2.6 4.6	2.65 4.65	2.7 4.8	V
VDD pin monitoring (source power role)						
$V_{DDOVLO}$	Overvoltage lockout	OVLO threshold detection enabled, VDD pin supplied	5.8	6.0	6.2	V
$V_{DDUVLO}$	Undervoltage lockout	UVLO threshold detection enabled, VDD pin supplied	3.8	3.9	4.0	
VBUS_SENSE pin monitoring and driving						
$V_{THUSB}$	$V_{BUS}$ presence threshold	$V_{SYS} = 3.0$ to $5.5$ V	3.8	3.9	4.0	V
$V_{THOV}$	$V_{BUS}$ safe 0 V threshold (vSafe0V)	$V_{SYS} = 3.0$ to $5.5$ V	0.5	0.6	0.7	
		The threshold is programmable from 0.6 V to 1.8 V.	0.8	0.9	1.0	
		Default $V_{THOV} = 0.6$ V	1.1	1.2	1.3	
			1.7	1.8	1.9	

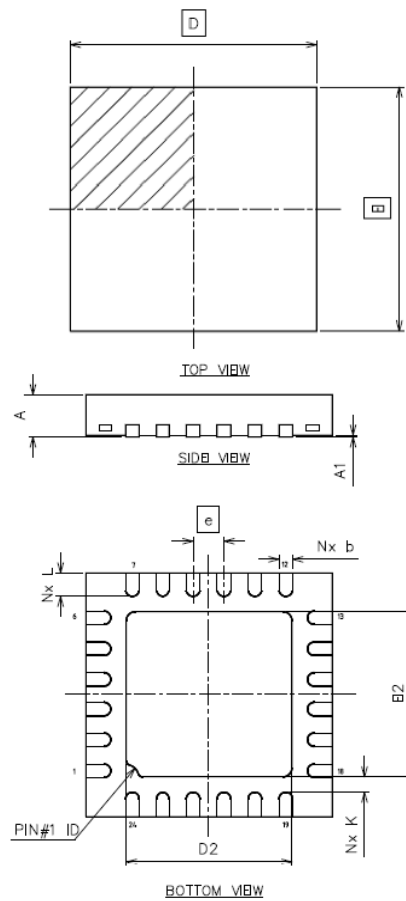
Symbol	Parameter	Conditions	Min.	Typ.	Max.	Unit
R <sub>DISUSB</sub>	V <sub>BUS</sub> discharge resistor		600	700	800	Ω
T <sub>DISUSB</sub>	V <sub>BUS</sub> discharge time to 0 V	The coefficient T <sub>DISPARAM</sub> is programmable by NVM default T <sub>DISPARAM</sub> = 6, T <sub>DISUSB</sub> = 504 ms	70* T <sub>DISPARAM</sub>	84* T <sub>DISPARAM</sub>	100* T <sub>DISPARAM</sub>	ms
V <sub>MONUSBH</sub>	V <sub>BUS</sub> monitoring high threshold voltage	Coefficient V <sub>SHUSBH</sub> programmable by NVM from 1% to 15% of V <sub>BUS</sub> by step of 1%, default V <sub>MONUSBH</sub> source/sink = V <sub>BUS</sub> +10%		V <sub>BUS</sub> +5% +V <sub>SHUSBH</sub>		V
V <sub>MONUSBL</sub>	V <sub>BUS</sub> monitoring low threshold voltage	Coefficient V <sub>SHUSBL</sub> programmable by NVM from 1% to 15% of V <sub>BUS</sub> by step of 1%, default V <sub>MONUSBL</sub> Source = V <sub>BUS</sub> -10% V <sub>MONUSBL</sub> Sink = V <sub>BUS</sub> -20%		V <sub>BUS</sub> -5% -V <sub>SHUSBL</sub>		V
Digital input/output (SCL, SDA, ALERT#, RESET, ATTACH, A_B_SIDE, VBUS_VALID, DEBUG1, DEBUG2)						
V <sub>IH</sub>	High level input voltage		1.2			V
V <sub>IL</sub>	Low level input voltage				0.35	V
V <sub>OL</sub>	Low level output voltage	I <sub>oh</sub> = 3 mA			0.4	V
20 V open-drain outputs (VBUS_EN_SRC, VBUS_EN_SNK)						
V <sub>OL</sub>	Low level output voltage	I <sub>oh</sub> = 3 mA			0.4	V

## 9 Package information

In order to meet environmental requirements, ST offers these devices in different grades of ECOPACK® packages, depending on their level of environmental compliance. ECOPACK® specifications, grade definitions and product status are available at: [www.st.com](http://www.st.com). ECOPACK® is an ST trademark.

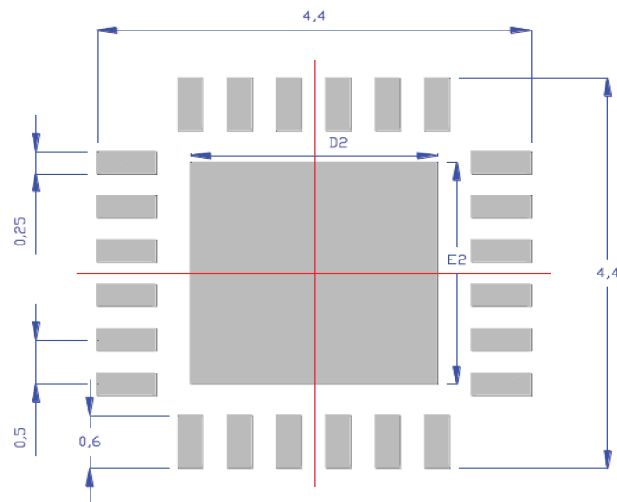
### 9.1 QFN-24 EP - pitch 0.50 mm - (4 x 4 mm) package information

Figure 10. QFN-24 EP 4x4 mm package outline



**Table 50. QFN24-EP 4x4 mm package mechanical data**

Symbol	mm			Inches		
	Min.	Typ.	Max.	Min.	Typ.	Max.
A	0.80	0.90	1.00	0.031	0.035	0.039
A1	0.00	0.02	0.05	0.000	0.001	0.002
b	0.18	0.25	0.30	0.007	0.010	0.012
D	3.95	4.00	4.05	0.156	0.157	0.159
D2	2.55	2.70	2.80	0.100	0.106	0.110
E	3.95	4.00	4.05	0.156	0.157	0.159
E2	2.55	2.70	2.80	0.100	0.106	0.110
e	0.45	0.50	0.55	0.018	0.020	0.022
K	0.15	-	-	0.006	-	-
L	0.30	0.40	0.50	0.0012	0.0016	0.020

**Figure 11. QFN24 EP 4x4 mm recommended footprint**


## 9.2 Thermal information

**Table 51. Thermal information**

Symbol	Parameter	Value	Unit
$R_{\theta JA}$	Junction-to-ambient thermal resistance	37	$^{\circ}\text{C/W}$
$R_{\theta JC}$	Junction-to-case thermal resistance	5	$^{\circ}\text{C/W}$



## 10 Terms and abbreviations

**Table 52. List of terms and abbreviations**

Term	Description
Accessory modes	Audio adapter accessory mode. It is defined by the presence of Ra/Ra on CC1/CC2 pins. Debug accessory mode. It is defined by the presence of Rd/Rd on CC1/CC2 pins in source power role or Rp/Rp on CC1/CC2 pins in sink power role
DFP	Downstream facing port, specifically associated with the flow of data in a USB connection. Typically the ports on a host or the ports on a hub to which devices are connected. In its initial state, the DFP sources $V_{BUS}$ and $V_{CONN}$ , and supports data
DRP	Dual-role port. A port that can operate as either a source or a sink. The port role may be changed dynamically
Sink	Port asserting Rd on CC pins and consuming power from $V_{BUS}$ ; most commonly a device
Source	Port asserting Rp on CC pins and providing power over $V_{BUS}$ ; most commonly a host or hub DFP
UFP	Upstream facing port, specifically associated with the flow of data in a USB connection. The port on a device or a hub that connects to a host or the DFP of a hub. In its initial state, the UFP sinks $V_{BUS}$ and supports data

## 11 Ordering information

**Table 53. Ordering information**

Order code	USB Type-C	R <sub>p</sub> default	Package	Marking
STUSB1600AQTR	Rev1.2+ECN	1.5 A	QFN24 EP 4x4 mm	1600A

## Revision history

**Table 54. Document revision history**

Date	Revision	Changes
30-Nov-2016	1	Initial release.
05-Sep-2017	2	<p>Updated: title, features, description and Table 1 in cover page.</p> <p>Updated Table 17, Table 20, Table 27, Table 31, Table 32, Table 35, Table 37, Table 38, Table 41, Table 44, Table 48 and Table 49.</p> <p>Updated Section 3.2.3, Section 5.1.4, Section 5.1.6, Section 5.1.12, Section 5.1.13, Section 5.1.19.</p>
22-Jun-2018	3	<p>Updated: title, features, description and Table 1 in cover page. Updated <a href="#">Table 26</a>. <a href="#">CC_CAPABILITY_CTRL</a> register, <a href="#">Table 31</a>. <a href="#">VBUS_DISCHARGE_TIME_CTRL</a> register, <a href="#">Table 36</a>. STUSB1600 user-defined parameters and default settings, <a href="#">Table 37</a>. Default setting for a source type application, <a href="#">Table 40</a>. Default setting for a sink type application, <a href="#">Table 43</a>. Default setting for a dual role type application and <a href="#">Table 49</a>. Electrical characteristics.</p> <p>Minor text changes.</p>

## Contents

<b>1</b>	<b>Functional description</b> .....	<b>2</b>
1.1	Block overview .....	2
<b>2</b>	<b>Inputs / outputs</b> .....	<b>3</b>
2.1	Pinout .....	3
2.2	Pin list .....	4
2.3	Pin description .....	5
2.3.1	CC1 / CC2 .....	5
2.3.2	CC1DB / CC2DB .....	5
2.3.3	VCONN .....	5
2.3.4	RESET .....	5
2.3.5	I <sup>2</sup> C interface pins .....	6
2.3.6	GND .....	6
2.3.7	VBUS_VALID .....	6
2.3.8	ATTACH .....	6
2.3.9	DEBUG pins .....	6
2.3.10	A_B_SIDE .....	6
2.3.11	VBUS_SENSE .....	6
2.3.12	VBUS_EN_SNK .....	6
2.3.13	VBUS_EN_SRC .....	7
2.3.14	VREG_1V2 .....	7
2.3.15	VSYS .....	7
2.3.16	VREG_2V7 .....	7
2.3.17	VDD .....	7
<b>3</b>	<b>Features description</b> .....	<b>8</b>
3.1	CC interface .....	8
3.2	VBUS power path control .....	8
3.2.1	VBUS monitoring .....	8
3.2.2	VBUS discharge .....	9
3.2.3	VBUS power path assertion .....	9
3.3	VCONN supply .....	11

3.3.1	VCONN input voltage .....	11
3.3.2	VCONN application conditions .....	11
3.3.3	VCONN monitoring .....	12
3.3.4	VCONN discharge .....	12
3.3.5	VCONN control and status .....	12
3.3.6	VCONN power switches .....	12
3.4	Low power standby mode .....	14
3.5	Dead-battery mode .....	14
3.6	High voltage protection .....	14
3.7	Hardware fault management .....	14
3.8	Accessory mode detection .....	15
3.8.1	Audio accessory mode detection .....	15
3.8.2	Debug accessory mode detection .....	15
<b>4</b>	<b>I<sup>2</sup>C Interface .....</b>	<b>17</b>
4.1	Read and write operations .....	17
4.2	Timing specifications .....	18
<b>5</b>	<b>Register map .....</b>	<b>20</b>
5.1	Register description .....	21
5.1.1	ALERT_STATUS .....	21
5.1.2	ALERT_STATUS_MASK_CTRL .....	21
5.1.3	CC_CONNECTION_STATUS_TRANS .....	22
5.1.4	CC_CONNECTION_STATUS .....	23
5.1.5	MONITORING_STATUS_TRANS .....	24
5.1.6	MONITORING_STATUS .....	24
5.1.7	CC_OPERATION_STATUS .....	26
5.1.8	HW_FAULT_STATUS_TRANS .....	27
5.1.9	HW_FAULT_STATUS .....	29
5.1.10	CC_CAPABILITY_CTRL .....	29
5.1.11	CC_VCONN_SWITCH_CTRL .....	30
5.1.12	VCONN_MONITORING_CTRL .....	30
5.1.13	VBUS_MONITORING_RANGE_CTRL .....	32
5.1.14	RESET_CTRL .....	32

5.1.15	VBUS_DISCHARGE_TIME_CTRL .....	32
5.1.16	VBUS_DISCHARGE_STATUS .....	33
5.1.17	VBUS_ENABLE_STATUS .....	33
5.1.18	CC_POWER_MODE_CTRL .....	34
5.1.19	VBUS_MONITORING_CTRL .....	34
<b>6</b>	<b>Start-up configuration .....</b>	<b>36</b>
6.1	User-defined parameters .....	36
6.2	Default start-up configuration .....	36
<b>7</b>	<b>Application .....</b>	<b>38</b>
7.1	General information .....	38
7.1.1	Power supplies .....	38
7.1.2	Connection to MCU or application processor .....	38
7.2	USB Type-C typical applications .....	39
7.2.1	Source type application .....	39
7.2.2	Sink type application .....	42
7.2.3	Dual role type application .....	44
<b>8</b>	<b>Electrical characteristics .....</b>	<b>50</b>
8.1	Absolute maximum ratings .....	50
8.2	Operating conditions .....	50
8.3	Electrical and timing characteristics .....	52
<b>9</b>	<b>Package information .....</b>	<b>55</b>
9.1	QFN-24 EP - pitch 0.50 mm - (4 x 4 mm) package information .....	55
9.2	Thermal information .....	56
<b>10</b>	<b>Terms and abbreviations .....</b>	<b>57</b>
<b>11</b>	<b>Ordering information .....</b>	<b>58</b>
	<b>Revision history .....</b>	<b>59</b>

## List of tables

<b>Table 1.</b>	Pin functions list . . . . .	4
<b>Table 2.</b>	Legend . . . . .	5
<b>Table 3.</b>	I <sup>2</sup> C interface pin list . . . . .	6
<b>Table 4.</b>	Debug pin list . . . . .	6
<b>Table 5.</b>	USB data MUX select. . . . .	6
<b>Table 6.</b>	Conditions for V <sub>BUS</sub> power path assertion in source power role . . . . .	10
<b>Table 7.</b>	Conditions for V <sub>BUS</sub> power path assertion in sink power role . . . . .	11
<b>Table 8.</b>	Fault management conditions . . . . .	13
<b>Table 9.</b>	Orientation and current capability detection in sink power role . . . . .	15
<b>Table 10.</b>	Orientation detection in source power role. . . . .	16
<b>Table 11.</b>	Device address format . . . . .	17
<b>Table 12.</b>	Register address format . . . . .	17
<b>Table 13.</b>	Register data format. . . . .	17
<b>Table 14.</b>	I <sup>2</sup> C timing parameters - V <sub>DD</sub> = 5 V . . . . .	18
<b>Table 15.</b>	Register access legend . . . . .	20
<b>Table 16.</b>	STUSB1600 register map overview . . . . .	20
<b>Table 17.</b>	ALERT_STATUS register . . . . .	21
<b>Table 18.</b>	ALERT_STATUS_MASK_CTRL register . . . . .	22
<b>Table 19.</b>	CC_CONNECTION_STATUS_TRANS register . . . . .	22
<b>Table 20.</b>	CC_CONNECTION_STATUS register. . . . .	23
<b>Table 21.</b>	MONITORING_STATUS_TRANS register . . . . .	24
<b>Table 22.</b>	MONITORING_STATUS register . . . . .	24
<b>Table 23.</b>	CC_OPERATION_STATUS register . . . . .	26
<b>Table 24.</b>	HW_FAULT_STATUS_TRANS register . . . . .	28
<b>Table 25.</b>	HW_FAULT_STATUS register . . . . .	29
<b>Table 26.</b>	CC_CAPABILITY_CTRL register . . . . .	30
<b>Table 27.</b>	CC_VCONN_SWITCH_CTRL register . . . . .	30
<b>Table 28.</b>	VCONN_MONITORING_CTRL register . . . . .	31
<b>Table 29.</b>	VBUS_MONITORING_RANGE_CTRL register . . . . .	32
<b>Table 30.</b>	RESET_CTRL register . . . . .	32
<b>Table 31.</b>	VBUS_DISCHARGE_TIME_CTRL register . . . . .	33
<b>Table 32.</b>	VBUS_DISCHARGE_STATUS register. . . . .	33
<b>Table 33.</b>	VBUS_ENABLE_STATUS register . . . . .	33
<b>Table 34.</b>	CC_POWER_MODE_CTRL register . . . . .	34
<b>Table 35.</b>	VBUS_MONITORING_CTRL register. . . . .	34
<b>Table 36.</b>	STUSB1600 user-defined parameters and default settings . . . . .	36
<b>Table 37.</b>	Default setting for a source type application. . . . .	39
<b>Table 38.</b>	Conditions for V <sub>BUS</sub> power path assertion in source power role . . . . .	40
<b>Table 39.</b>	Source power role with accessory support. . . . .	41
<b>Table 40.</b>	Default setting for a sink type application . . . . .	42
<b>Table 41.</b>	Conditions for V <sub>BUS</sub> power path assertion in sink power role . . . . .	43
<b>Table 42.</b>	Sink power role with accessory support . . . . .	43
<b>Table 43.</b>	Default setting for a dual role type application . . . . .	46
<b>Table 44.</b>	Conditions for V <sub>BUS</sub> power path assertion in source power role . . . . .	47
<b>Table 45.</b>	Conditions for V <sub>BUS</sub> power path assertion in sink power role . . . . .	47
<b>Table 46.</b>	Dual power role with accessory support . . . . .	48
<b>Table 47.</b>	Absolute maximum ratings . . . . .	50
<b>Table 48.</b>	Operating conditions . . . . .	51
<b>Table 49.</b>	Electrical characteristics . . . . .	52
<b>Table 50.</b>	QFN24-EP 4x4 mm package mechanical data . . . . .	56
<b>Table 51.</b>	Thermal information . . . . .	56

<b>Table 52.</b>	List of terms and abbreviations . . . . .	57
<b>Table 53.</b>	Ordering information. . . . .	58
<b>Table 54.</b>	Document revision history . . . . .	59



## List of figures

<b>Figure 1.</b>	Functional block diagram . . . . .	2
<b>Figure 2.</b>	STUSB1600 pin connections . . . . .	3
<b>Figure 3.</b>	V <sub>CONN</sub> to CC1 and CC2 power switch protections . . . . .	13
<b>Figure 4.</b>	Read operation. . . . .	17
<b>Figure 5.</b>	Write operation. . . . .	18
<b>Figure 6.</b>	I <sup>2</sup> C timing diagram. . . . .	19
<b>Figure 7.</b>	Implementation example in source type application . . . . .	39
<b>Figure 8.</b>	Implementation example in sink type application . . . . .	42
<b>Figure 9.</b>	Implementation example in dual role type application. . . . .	45
<b>Figure 10.</b>	QFN-24 EP 4x4 mm package outline. . . . .	55
<b>Figure 11.</b>	QFN24 EP 4x4 mm recommended footprint . . . . .	56

**IMPORTANT NOTICE – PLEASE READ CAREFULLY**

STMicroelectronics NV and its subsidiaries (“ST”) reserve the right to make changes, corrections, enhancements, modifications, and improvements to ST products and/or to this document at any time without notice. Purchasers should obtain the latest relevant information on ST products before placing orders. ST products are sold pursuant to ST’s terms and conditions of sale in place at the time of order acknowledgement.

Purchasers are solely responsible for the choice, selection, and use of ST products and ST assumes no liability for application assistance or the design of Purchasers’ products.

No license, express or implied, to any intellectual property right is granted by ST herein.

Resale of ST products with provisions different from the information set forth herein shall void any warranty granted by ST for such product.

ST and the ST logo are trademarks of ST. All other product or service names are the property of their respective owners.

Information in this document supersedes and replaces information previously supplied in any prior versions of this document.

© 2018 STMicroelectronics – All rights reserved