

AFE58JD18 16-Channel, Ultrasound AFE with 14-Bit, 65-MSPS or 12-Bit, 80-MSPS ADC, Passive CW Mixer, I/Q Demodulator, and LVDS, JESD204B Outputs

1 Features

- 16-Channel, Complete Analog Front-End (AFE):
 - LNA, VCAT, PGA, LPF, ADC, and CW Mixer
- LNA with Programmable Gain:
 - Gain: 24 dB, 18 dB, and 12 dB
 - Linear Input Range: 0.25 V_{PP}, 0.5 V_{PP}, and 1 V_{PP}
 - Input-Referred Noise: 0.63 nV/√Hz, 0.7 nV/√Hz, and 0.9 nV/√Hz
 - Programmable Active Termination
- Voltage-Controlled Attenuator (VCAT): 40 dB
- Programmable Gain Amplifier (PGA): 24 dB and 30 dB
- Total Signal Chain Gain: 54 dB (max)
- 3rd-Order, Linear-Phase LPF:
 - 10 MHz, 15 MHz, 20 MHz, 30 MHz, 35 MHz, and 50 MHz
- Analog-to-Digital Converter (ADC):
 - 14-Bit ADC: 75-dBFS SNR at 65 MSPS
 - 12-Bit ADC: 72-dBFS SNR at 80 MSPS
- LVDS Interface Maximum Speed of 1 Gbps
- Noise and Power Optimizations (Full-Channel):
 - 140 mW/Ch at 0.75 nV/√Hz, 65 MSPS
 - 91.5 mW/Ch at 1.1 nV/√Hz, 40 MSPS
 - 80 mW/Ch at CW Mode
- Excellent Device-to-Device Gain Matching:
 - ±0.5 dB (typical) and ±1.1 dB (max)
- Low Harmonic Distortion
- Fast and Consistent Overload Recovery
- Passive Mixer for CWD:
 - Low Close-In Phase Noise: –156 dBc/Hz at 1 kHz Off 2.5-MHz Carrier
 - Phase Resolution: $\lambda / 16$

- Supports 16X, 8X, 4X, and 1X CW Clocks
- CWD High-Pass Filter Rejects Undesired Low-Frequency Signals < 1 kHz
- Digital Features:
 - Digital I/Q Demodulator after ADC:
 - Fractional Decimation Filter M = 1 to 63 with 0.25X Increment Step
 - Data Throughput Reduction After Decimation
 - On-Chip RAM with 32 Preset Profiles
- 5-Gbps JESD Interface:
 - JESD204B Subclass 0, 1, and 2
 - 2, 4, or 8 Channels per JESD Lane
- Small Package: 15-mm × 15-mm NFBGA-289

2 Applications

- Medical Ultrasound Imaging
- Nondestructive Evaluation Equipment
- Sonar Imaging Equipment

3 Description

The AFE58JD18 is a highly-integrated, analog front-end (AFE) solutions specifically designed for ultrasound systems where high performance and small size are required.

To request a full datasheet or other design resources: [request AFE58JD18](#)

Device Information⁽¹⁾

PART NUMBER	OUTPUT INTERFACE	DIGITAL I/Q DEMODULATOR
AFE58JD18	LVDS and JESD	Supported

(1) For all available packages, see the orderable addendum at the end of the datasheet.

Simplified Block Diagram

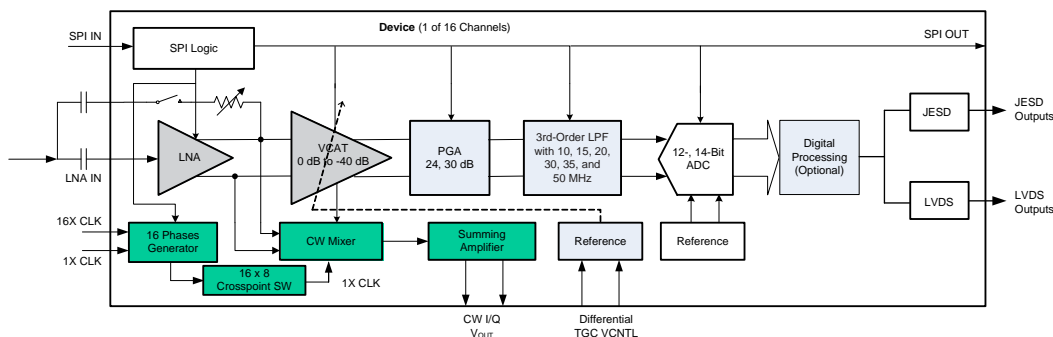


Table of Contents

1 Features	1	7.1 Documentation Support	5
2 Applications	1	7.2 Trademarks	6
3 Description	1	7.3 Electrostatic Discharge Caution	6
4 Revision History	2	7.4 Export Control Notice	6
5 Description (continued)	3	7.5 Glossary	6
6 Functional Block Diagram	4	8 Mechanical, Packaging, and Orderable Information	6
7 Device and Documentation Support	5	8.1 Tray Information	7

4 Revision History

NOTE: Page numbers for previous revisions may differ from page numbers in the current version.

Changes from Original (August 2015) to Revision A	Page
• Added link to request full data sheet	1

5 Description (continued)

The AFE58JD18 has a total of 16 channels, with each channel consisting of a voltage-controlled amplifier (VCA), a simultaneous sampling 14-bit and 12-bit analog-to-digital converter (ADC), and a continuous wave (CW) mixer. The VCA includes a low-noise amplifier (LNA), a voltage-controlled attenuator (VCAT), a programmable gain amplifier (PGA), and a low-pass filter (LPF). LNA gain is programmable and supports 250-mV_{PP} to 1-V_{PP} input signals and programmable active termination. The ultra-low noise VCAT provides an attenuation control range of 40 dB and improves overall low-gain SNR, which benefits harmonic and near-field imaging. The PGA provides gain options of 24 dB and 30 dB. In front of the ADC, an LPF can be configured at 10 MHz, 15 MHz, 20 MHz, 30 MHz, 35 MHz, or 50 MHz to support ultrasound applications with different frequencies.

The AFE58JD18 also integrates a low-power passive mixer and a low-noise summing amplifier to create an on-chip CWD beamformer. 16 selectable phase delays can be applied to each analog input signal. Furthermore, a unique third- and fifth-order harmonic suppression filter is implemented to enhance CW sensitivity.

The high-performance, 14-bit ADC achieves 75-dBFS SNR. This ADC ensures excellent SNR at low-chain gain. The device can operate at maximum speeds of 65 MSPS and 80 MSPS, providing a 14-bit and a 12-bit output, respectively.

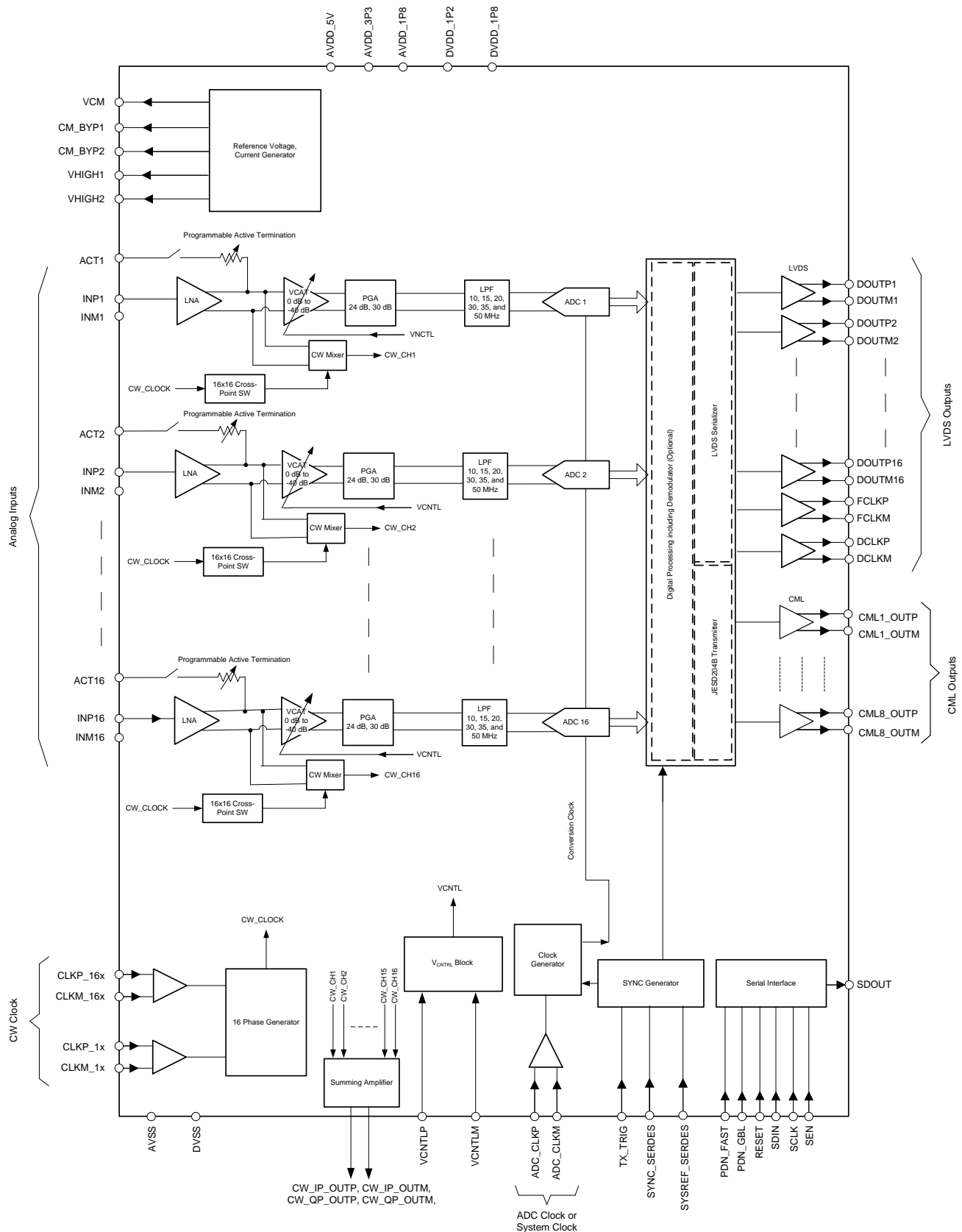
The ADC low-voltage differential signaling (LVDS) outputs enable a flexible system integration that is desirable for miniaturized systems.

The AFE58JD18 additionally includes an optional digital demodulator and JESD204B data packing blocks after the 12- or 14-bit ADC. The digital in-phase and quadrature (I/Q) demodulator with programmable fractional decimation filters accelerates computationally-intensive algorithms at low power. A JESD204B interface that runs up to 5 Gbps further reduces the circuit board routing challenges in high-channel count systems.

The AFE58JD18 also allows various power and noise combinations to be selected to optimize system performance. Therefore, the AFE58JD18 is a suitable ultrasound AFE solution for both high-end and portable systems.

The AFE58JD18 is available in a 15-mm × 15-mm NFBGA-289 package (ZBV package, S-PBGA-N289) and is specified for operation from –40°C to 85°C. The device pinout is also similar to the [AFE5816](#) device family.

6 Functional Block Diagram



7 Device and Documentation Support

7.1 Documentation Support

7.1.1 Related Documentation

AFE5816 Data Sheet, [SBAS688](#)

MicroStar BGA Packaging Reference Guide, [SSYZ015](#)

Clocking High-Speed Data Converters, [SLYT075](#)

Design for a Wideband Differential Transimpedance DAC Output, [SBAA150](#)

TI Active Filter Design Tool, [WEBENCH® Filter Designer](#)

CDCM7005 Data Sheet, [SCAS793](#)

CDCE72010 Data Sheet, [SCAS858](#)

TLV5626 Data Sheet, [SLAS236](#)

DAC7821 Data Sheet, [SBAS365](#)

THS413x Data Sheet, [SLOS318](#)

OPA1632 Data Sheet, [SBOS286](#)

LMK048x Data Sheet, [SNAS489](#)

OPA2211 Data Sheet, [SBOS377](#)

ADS8413 Data Sheet, [SLAS490](#)

ADS8472 Data Sheet, [SLAS514](#)

ADS8881 Data Sheet, [SBAS547](#)

SN74AUP1T04 Data Sheet, [SCES800](#)

UCC28250 Data Sheet, [SLUSA29](#)

ISO7240 Data Sheet, [SLLS868](#)

7.2 Trademarks

All trademarks are the property of their respective owners.

7.3 Electrostatic Discharge Caution



These devices have limited built-in ESD protection. The leads should be shorted together or the device placed in conductive foam during storage or handling to prevent electrostatic damage to the MOS gates.

7.4 Export Control Notice

Recipient agrees to not knowingly export or re-export, directly or indirectly, any product or technical data (as defined by the U.S., EU, and other Export Administration Regulations) including software, or any controlled product restricted by other applicable national regulations, received from disclosing party under nondisclosure obligations (if any), or any direct product of such technology, to any destination to which such export or re-export is restricted or prohibited by U.S. or other applicable laws, without obtaining prior authorization from U.S. Department of Commerce and other competent Government authorities to the extent required by those laws.

7.5 Glossary

[SLYZ022](#) — *TI Glossary*.

This glossary lists and explains terms, acronyms, and definitions.

8 Mechanical, Packaging, and Orderable Information

The following pages include mechanical, packaging, and orderable information. This information is the most current data available for the designated devices. This data is subject to change without notice and revision of this document. For browser-based versions of this data sheet, refer to the left-hand navigation.

8.1 Tray Information

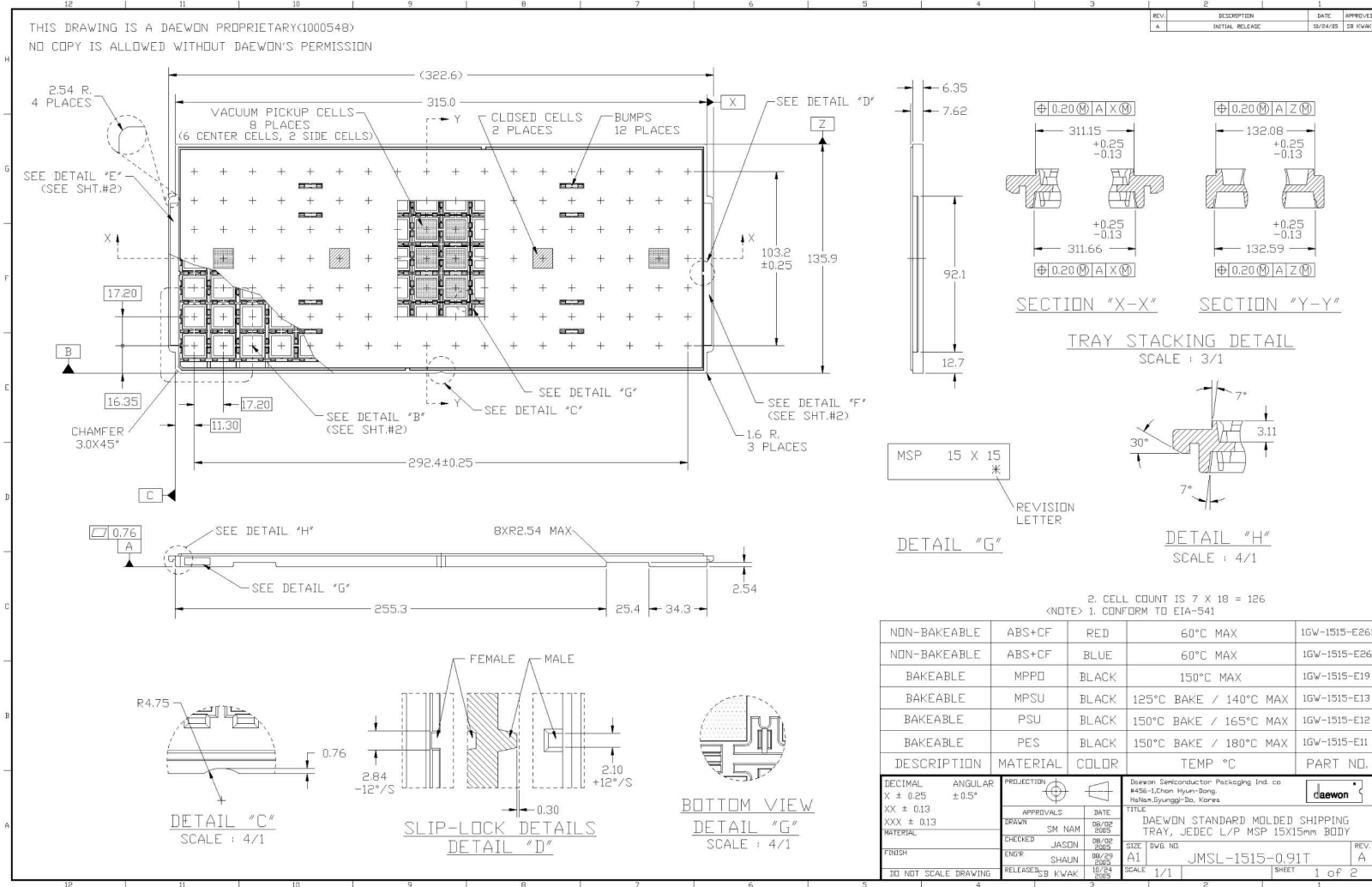


Figure 1. Tray Diagram, Section 1

Tray Information (continued)

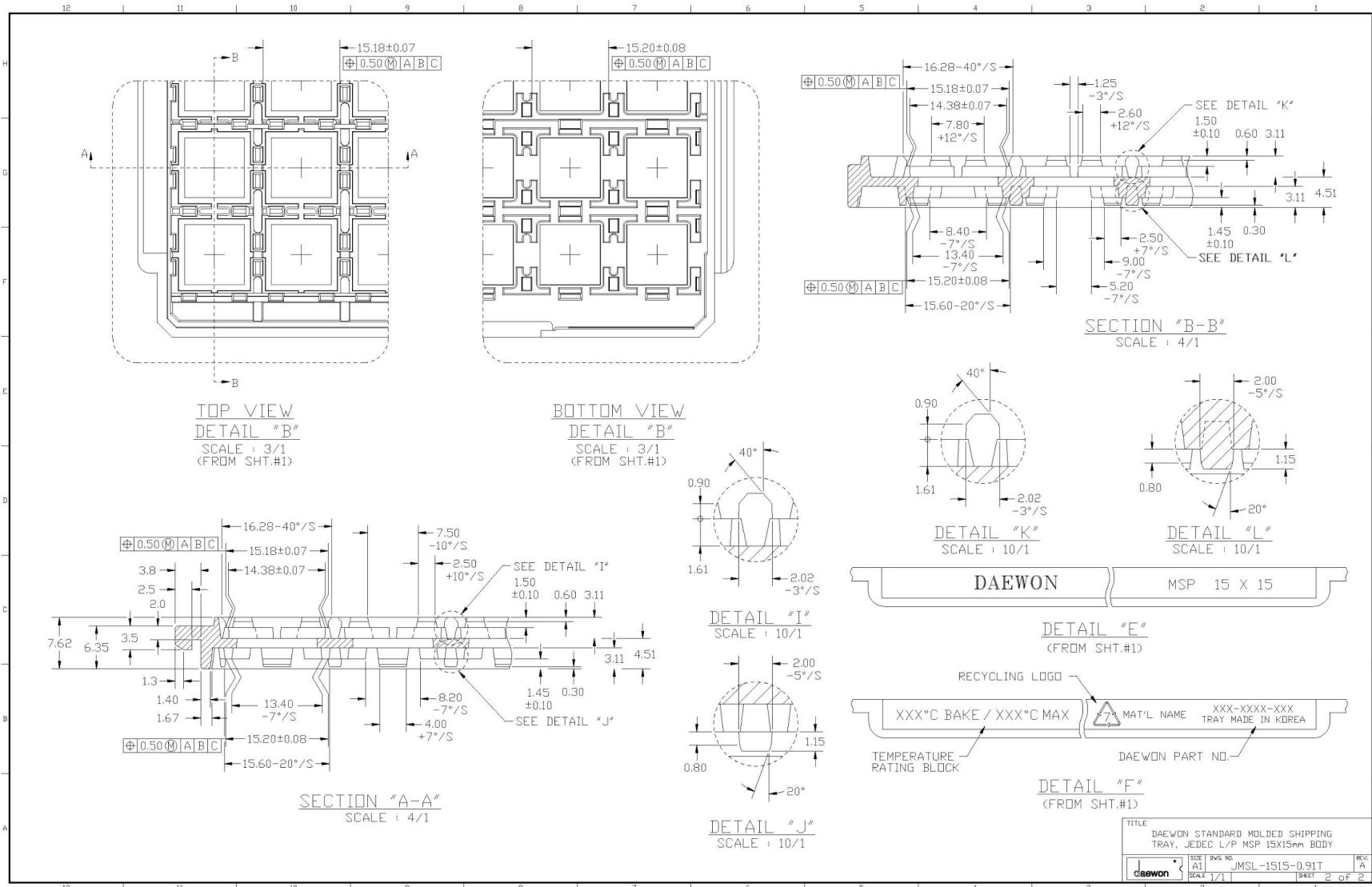


Figure 2. Tray Diagram, Section 2

PACKAGING INFORMATION

Orderable Device	Status (1)	Package Type	Package Drawing	Pins	Package Qty	Eco Plan (2)	Lead finish/ Ball material (6)	MSL Peak Temp (3)	Op Temp (°C)	Device Marking (4/5)	Samples
AFE58JD18ZBV	ACTIVE	NFBGA	ZBV	289	126	RoHS & Green	SNAGCU	Level-3-260C-168 HR	-40 to 85	AFE58JD18	Samples

(1) The marketing status values are defined as follows:

ACTIVE: Product device recommended for new designs.

LIFEBUY: TI has announced that the device will be discontinued, and a lifetime-buy period is in effect.

NRND: Not recommended for new designs. Device is in production to support existing customers, but TI does not recommend using this part in a new design.

PREVIEW: Device has been announced but is not in production. Samples may or may not be available.

OBSOLETE: TI has discontinued the production of the device.

(2) **RoHS:** TI defines "RoHS" to mean semiconductor products that are compliant with the current EU RoHS requirements for all 10 RoHS substances, including the requirement that RoHS substance do not exceed 0.1% by weight in homogeneous materials. Where designed to be soldered at high temperatures, "RoHS" products are suitable for use in specified lead-free processes. TI may reference these types of products as "Pb-Free".

RoHS Exempt: TI defines "RoHS Exempt" to mean products that contain lead but are compliant with EU RoHS pursuant to a specific EU RoHS exemption.

Green: TI defines "Green" to mean the content of Chlorine (Cl) and Bromine (Br) based flame retardants meet JS709B low halogen requirements of <=1000ppm threshold. Antimony trioxide based flame retardants must also meet the <=1000ppm threshold requirement.

(3) MSL, Peak Temp. - The Moisture Sensitivity Level rating according to the JEDEC industry standard classifications, and peak solder temperature.

(4) There may be additional marking, which relates to the logo, the lot trace code information, or the environmental category on the device.

(5) Multiple Device Markings will be inside parentheses. Only one Device Marking contained in parentheses and separated by a "-" will appear on a device. If a line is indented then it is a continuation of the previous line and the two combined represent the entire Device Marking for that device.

(6) Lead finish/Ball material - Orderable Devices may have multiple material finish options. Finish options are separated by a vertical ruled line. Lead finish/Ball material values may wrap to two lines if the finish value exceeds the maximum column width.

Important Information and Disclaimer:The information provided on this page represents TI's knowledge and belief as of the date that it is provided. TI bases its knowledge and belief on information provided by third parties, and makes no representation or warranty as to the accuracy of such information. Efforts are underway to better integrate information from third parties. TI has taken and continues to take reasonable steps to provide representative and accurate information but may not have conducted destructive testing or chemical analysis on incoming materials and chemicals. TI and TI suppliers consider certain information to be proprietary, and thus CAS numbers and other limited information may not be available for release.

In no event shall TI's liability arising out of such information exceed the total purchase price of the TI part(s) at issue in this document sold by TI to Customer on an annual basis.

TRAY

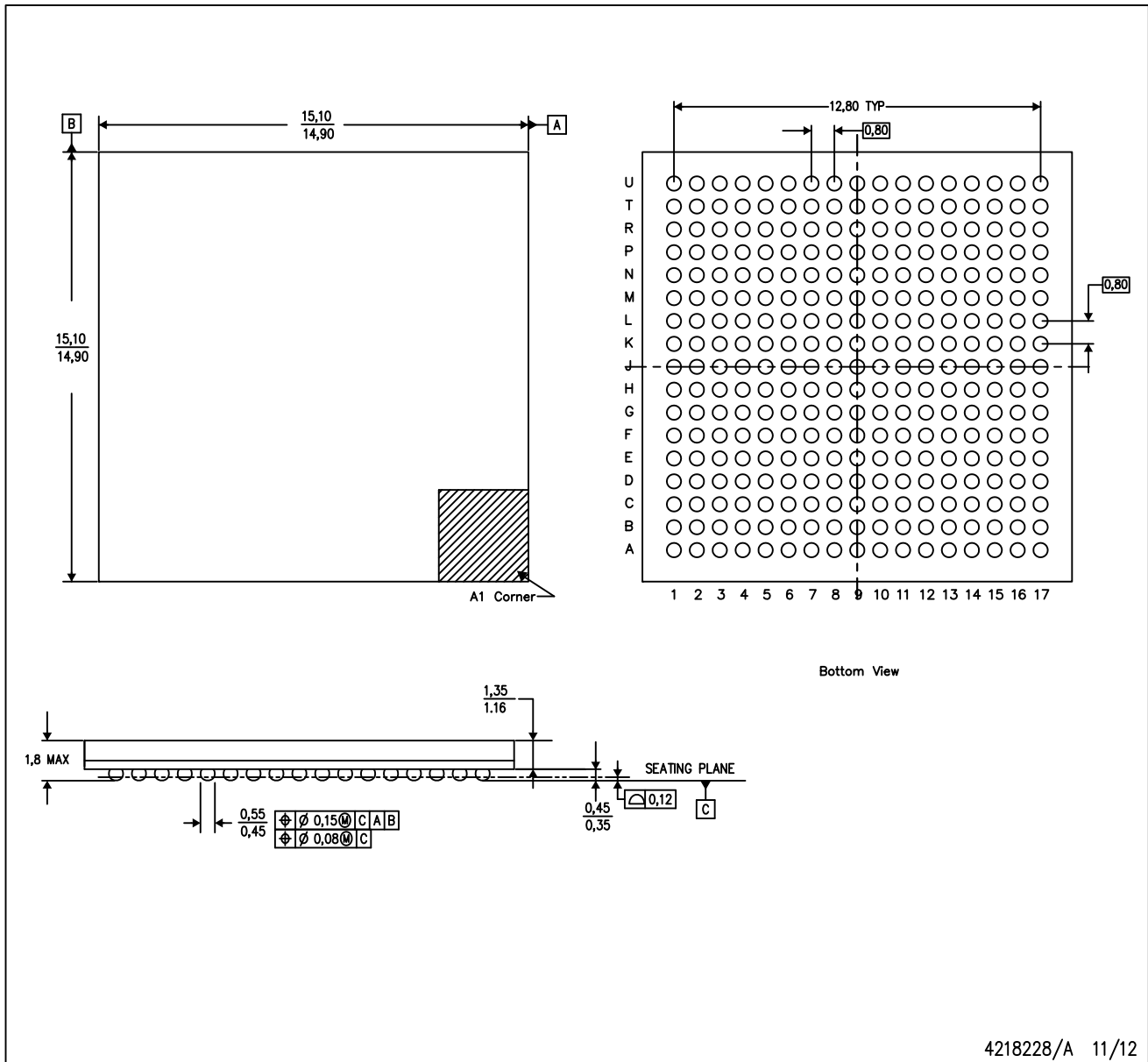

Chamfer on Tray corner indicates Pin 1 orientation of packed units.

*All dimensions are nominal

Device	Package Name	Package Type	Pins	SPQ	Unit array matrix	Max temperature (°C)	L (mm)	W (mm)	K0 (µm)	P1 (mm)	CL (mm)	CW (mm)
AFE58JD18ZBV	ZBV	NFBGA	289	126	7 X 18	150	315	135.9	7620	17.2	11.3	16.35

ZBV (S-PBGA-N289)

PLASTIC BALL GRID ARRAY



- NOTES:
- A. All linear dimensions are in millimeters.
 - B. This drawing is subject to change without notice.
 - C. This is a Pb-free solder ball design.

IMPORTANT NOTICE AND DISCLAIMER

TI PROVIDES TECHNICAL AND RELIABILITY DATA (INCLUDING DATA SHEETS), DESIGN RESOURCES (INCLUDING REFERENCE DESIGNS), APPLICATION OR OTHER DESIGN ADVICE, WEB TOOLS, SAFETY INFORMATION, AND OTHER RESOURCES "AS IS" AND WITH ALL FAULTS, AND DISCLAIMS ALL WARRANTIES, EXPRESS AND IMPLIED, INCLUDING WITHOUT LIMITATION ANY IMPLIED WARRANTIES OF MERCHANTABILITY, FITNESS FOR A PARTICULAR PURPOSE OR NON-INFRINGEMENT OF THIRD PARTY INTELLECTUAL PROPERTY RIGHTS.

These resources are intended for skilled developers designing with TI products. You are solely responsible for (1) selecting the appropriate TI products for your application, (2) designing, validating and testing your application, and (3) ensuring your application meets applicable standards, and any other safety, security, regulatory or other requirements.

These resources are subject to change without notice. TI grants you permission to use these resources only for development of an application that uses the TI products described in the resource. Other reproduction and display of these resources is prohibited. No license is granted to any other TI intellectual property right or to any third party intellectual property right. TI disclaims responsibility for, and you will fully indemnify TI and its representatives against, any claims, damages, costs, losses, and liabilities arising out of your use of these resources.

TI's products are provided subject to [TI's Terms of Sale](#) or other applicable terms available either on ti.com or provided in conjunction with such TI products. TI's provision of these resources does not expand or otherwise alter TI's applicable warranties or warranty disclaimers for TI products.

TI objects to and rejects any additional or different terms you may have proposed.

Mailing Address: Texas Instruments, Post Office Box 655303, Dallas, Texas 75265
Copyright © 2022, Texas Instruments Incorporated