

OV9755 720p HD product brief



High Performance OV9755 Brings Best-In-Class Low-Light Sensitivity to Mainstream Security Cameras



available in
a lead-free
package

OmniVision's OV9755 is a high performance CameraChip™ sensor that brings best-in-class low-light sensitivity to mainstream security, smart home, and IP camera applications. The low-power OV9755 utilizes a large 3.75-micron pixel to capture high definition (HD) and VGA resolution images and video, even in challenging, low-light conditions.

Built on proven OmniPixel3-HS™ technology, the 1/3-inch OV9755 supports a "system wake-up trigger" and low-power mode, supporting camera operations while consuming minimal power (approximately 100 mW). The OV9755's large 3.75-micron pixel is designed to capture crisp and clear 720p HD video recording at 60 frames per second (fps), or VGA resolution video at 90 fps, in a wide range of lighting environments.

Find out more at www.ovt.com.



Applications

- Security and Surveillance Cameras
- Wearables
- PC Multimedia

Product Features

- 3.75 μm x 3.75 μm pixel
- support for output formats: 10/12-bit RGB RAW
- 1280 x 720 at 60 fps @ 10-bit, 45 fps @ 12-bit
- two-wire serial bus control (SCCB)
- programmable controls for frame rate, mirror and flip, cropping, and windowing
- MIPI serial output interface (1-lane)/ DVP interface
- supports image sizes: 720p (1280x720), VGA (640x480), and more
- image quality control: defect pixel correction and automatic black level calibration
- ultra low power mode (ULPM)

OV9755



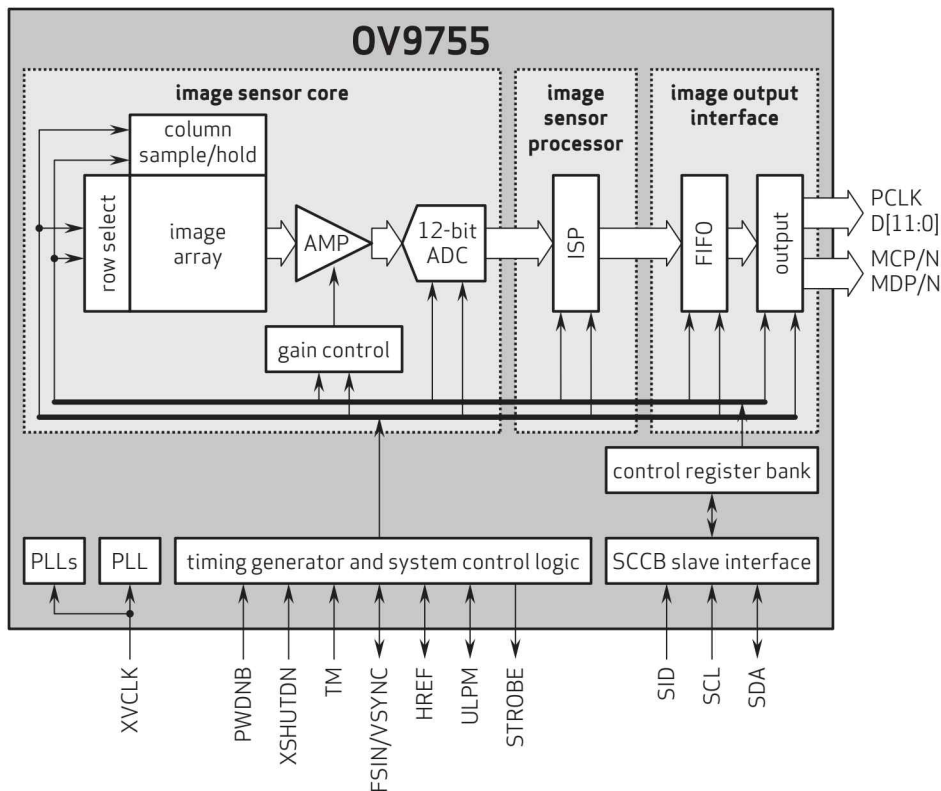
Ordering Information

- OV09755-H55A (color, lead-free, 55-pin CSP5)

Product Specifications

- active array size: 1280 x 720
- lens chief ray angle: 9° linear
- power supply:
 - core: 1.14 to 1.26V (1.2V nominal)
 - analog: 3.15 to 3.45V (3.3V nominal)
 - I/O: 1.7 to 1.9V (1.8V nominal)
- input clock frequency: 6 - 74.5 MHz
- maximum image transfer rate:
 - 720p (1280x720): 60 fps
 - VGA (640x480): 90 fps
- power requirements:
 - active: 100 mW
 - standby: 500 μW
 - XSHUTDN: 25 μW
- sensitivity: 43Ke⁻/lux-sec
- max S/N ratio: 42.6 dB
- temperature range:
 - operating: -30°C to +85°C junction temperature
 - stable image: 0°C to +60°C junction temperature
- dynamic range: 73.04 dB @ 16x gain
- pixel size: 3.75 μm x 3.75 μm
- dark current: 30 e⁻/sec @ 60°C junction temperature
- output interface: 1-lane MIPI serial output/DVP parallel output
- image area: 4852.20 μm x 2756 μm
- output formats: 10/12-bit RGB RAW
- package dimensions: 6429 μm x 3864 μm
- lens size: 1/3"

Functional Block Diagram



4275 Burton Drive
Santa Clara, CA 95054
USA

Tel: + 1 408 567 3000
Fax: + 1 408 567 3001
www.ovt.com

OmniVision reserves the right to make changes to their products or to discontinue any product or service without further notice. OmniVision, the OmniVision logo and OmniPixel are registered trademarks of OmniVision Technologies, Inc. OmniPixel3-H5 is a trademark of OmniVision Technologies, Inc. All other trademarks are the property of their respective owners.



OmniVision