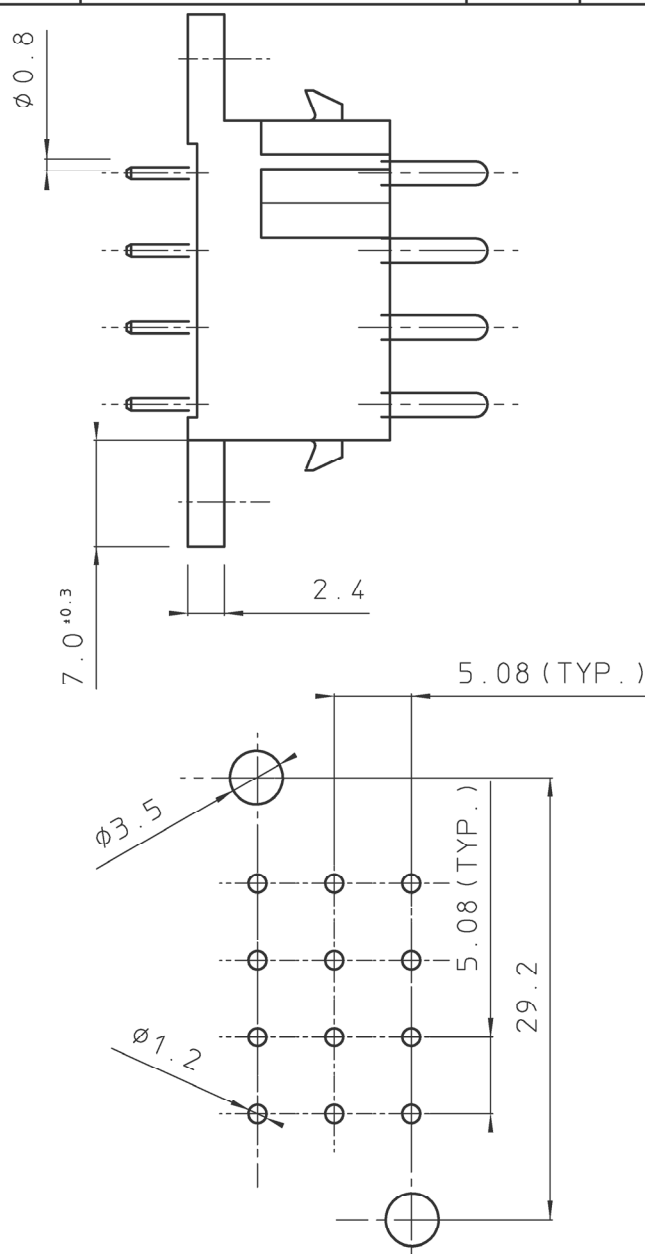
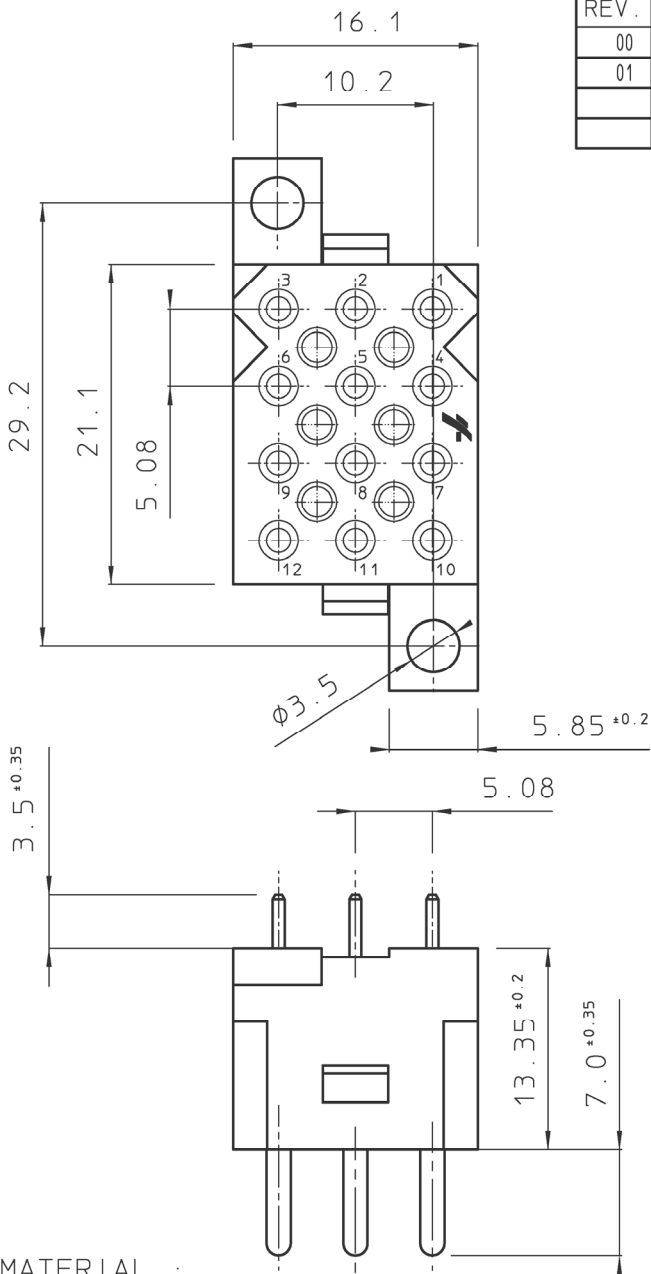


DIT IS ONZE EIGENDOM EN MAG NOCH NAGEMAAKT, HERDRUKT, OVERGEMAAKT AAN DERDEN, NOCH VOOR FABRIKATIE GEBRUIKT WORDEN, ZONDER ONZE SCHRIFTELIJKE TOELATING. BIJ NIET GEBRUIK IS DE TERUGZENING VERPLICHT.

THIS IS OUR EXCLUSIVE PROPERTY. IT IS NOT TO BE COPIED, REPRINTED OR DISCLOSED TO A THIRD PARTY, NOR USED FOR MANUFACTURING WITHOUT OUR WRITTEN CONSENT, AND HAS TO BE RETURNED TO US IN CASE OF NO USAGE

BS, A , 202363, 005, 01

REV.	DATE	DESCRIPTION	BY	C'K'D'
00	18.08.97	REDRAWN FROM DRAWING BSA 062110 SHEET 5	S.V.D.	
01	12.09.97	BEC 9.3390	S.V.D.	



**MATERIAL :**

BODY : POLYESTER 30% GLASSFILLED , UL94V-0,

COLOUR : BLACK

CONTACTS : BRASS, GOLD OR TIN PLATED

**PERFORMANCE CHARACTERISTICS :**

OPERATING TEMPERATURE : -55°C TO 105°C



INSULATING RESISTANCE : 5000 MΩ MIN.

TEST POTENTIAL : 2000 VAC

**NOTES :**

- CONNECTOR SUPPLIED FULLY LOADED WITH MACHINED PIN CONTACTS.  
AU PLATED : SMS12GE4, AU FLASH : SMS12GE4J, TIN PLATED : SMS12GE4T
- MATING PART SMS12P1 PLUG
- PC-BOARD THICKNESS : 2.4 MM
- DISCRIMINATION IS GUARANTEED WITHOUT LOSS OF CONTACT POSITION WHEN USING SMSPK3 DISCRIMINATION PINS. FOR TECHNICAL INFORMATION ABOUT SMSPK3 : SEE BS,C ,201424,003.

GEN. ST.	01	02	03	04	05	06	07	08	0D	50	60	70	80	90																	
INT. ST.	10	11	12	13	14	18	20	31	32	33	34	38	39	40	42	43	44	45	46	48	56	70	72	73	75	76	81	82	83	84	88

1DEC ±0,2 1DEC 2DEC ±0,1 2DEC ANGLES ±1° HOEKEN	<b>APPR.</b>	<b>DATE</b>	<b>SIGN.</b>	SMS QIKMATE STRAIGHT MALE REC. WITH MACH. CONT.
	DRAFT	18-08-97	S. Van Dessel	<b>CAT. No.</b> SMS12GE4*
WE RESERVE THE RIGHT TO CHANGE DIMENSIONS OR REQUIREMENTS WITHOUT PRIOR NOTICE.	PROD. MGR.			 <b>SOURIAU</b> Route Nationale 23 72470 CHAMPAGNE
	PR. ENG. MGR.			
ALL DIMENSIONS IN MM  ALLE AFMETINGEN IN MM	<b>REFERENCES / REFERENTIES</b>			BS, A , 202363, 005, 01 DRAWING NR. CUSTOMER DRAWING