

40-Channel Symmetric Row Driver

Features

- Symmetric Row Drive
- Reduces Latent Imaging in AC Thin Film Electroluminescent (ACTFEL) Displays
- Up to +240V Output Voltage
- Low-Power Level Shifting
- 70 mA minimum Source and Sink Current
- 3 MHz Shift Register Speed
- Pin-Programmable Shift Direction (DIR, SHIFT)

Applications

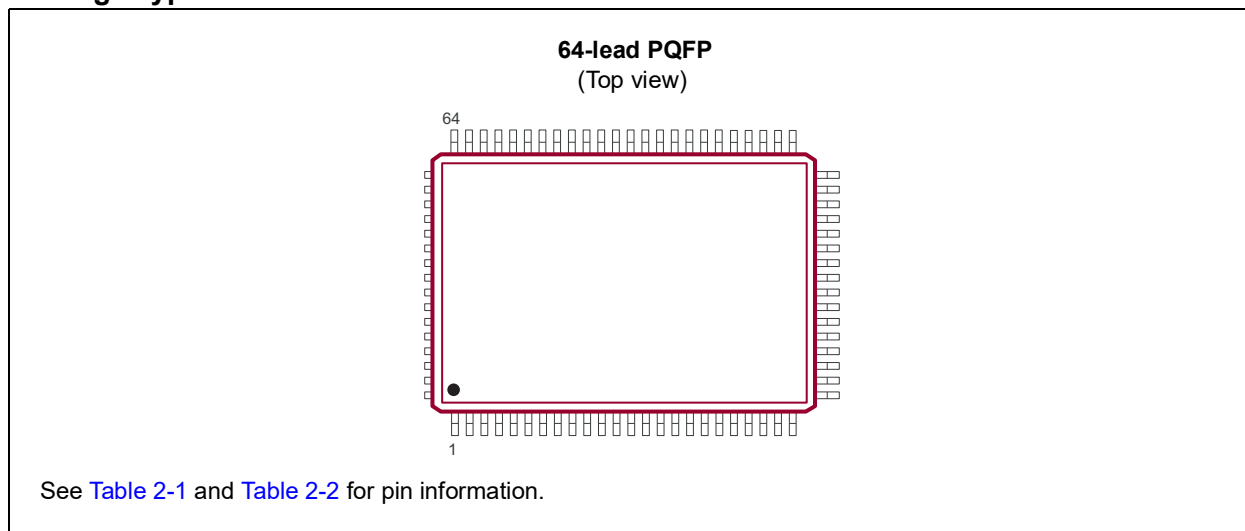
- Display Driver

General Description

The HV7224 is a low-voltage to high-voltage serial-to-parallel converter with push-pull outputs. It is especially suitable for use as a symmetric row driver in ACTFEL displays.

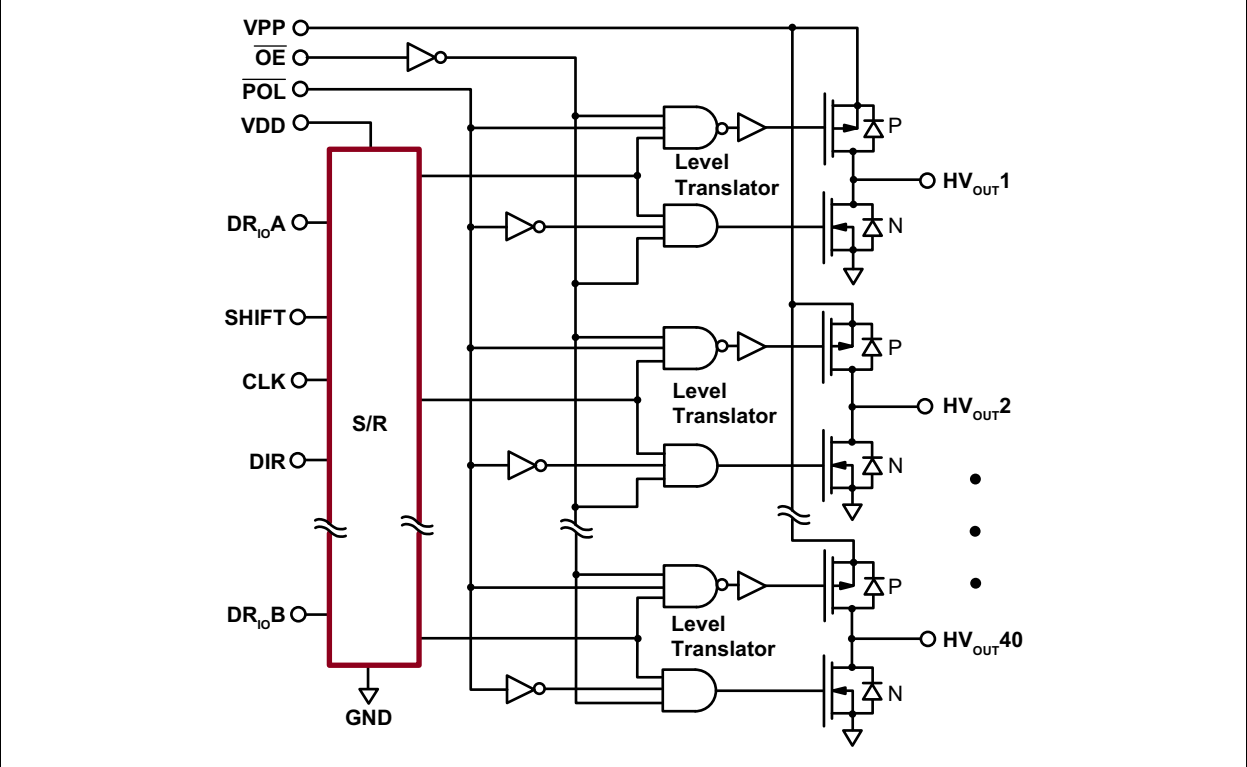
When the data reset pin (DR_{10A}/DR_{10B}) is at logic high, it will reset all the outputs of the internal Shift register to zero. At the same time, the output of the Shift register will start shifting a logic high from the Least Significant bit to the Most Significant bit. The DR_{10A}/DR_{10B} can be triggered at any time. The DIR and shift pins control the direction of data shift through the device. When DIR is at logic high, DR_{10A} is the input and DR_{10B} is the output. When DIR is grounded, DR_{10B} is the input and the DR_{10A} is the output. (See [Table 3-3](#) for output sequence.) The Polarity (POL) and Output Enable (OE) pins perform the polarity select and output enable function respectively. Data is loaded on the low-to-high transition of the clock. A logic high will cause the output to swing to V_{PP} if POL is high, or to GND if POL is low. All outputs will be in High-Z state if OE is at logic high. Data output buffers are provided for cascading devices.

Package Type

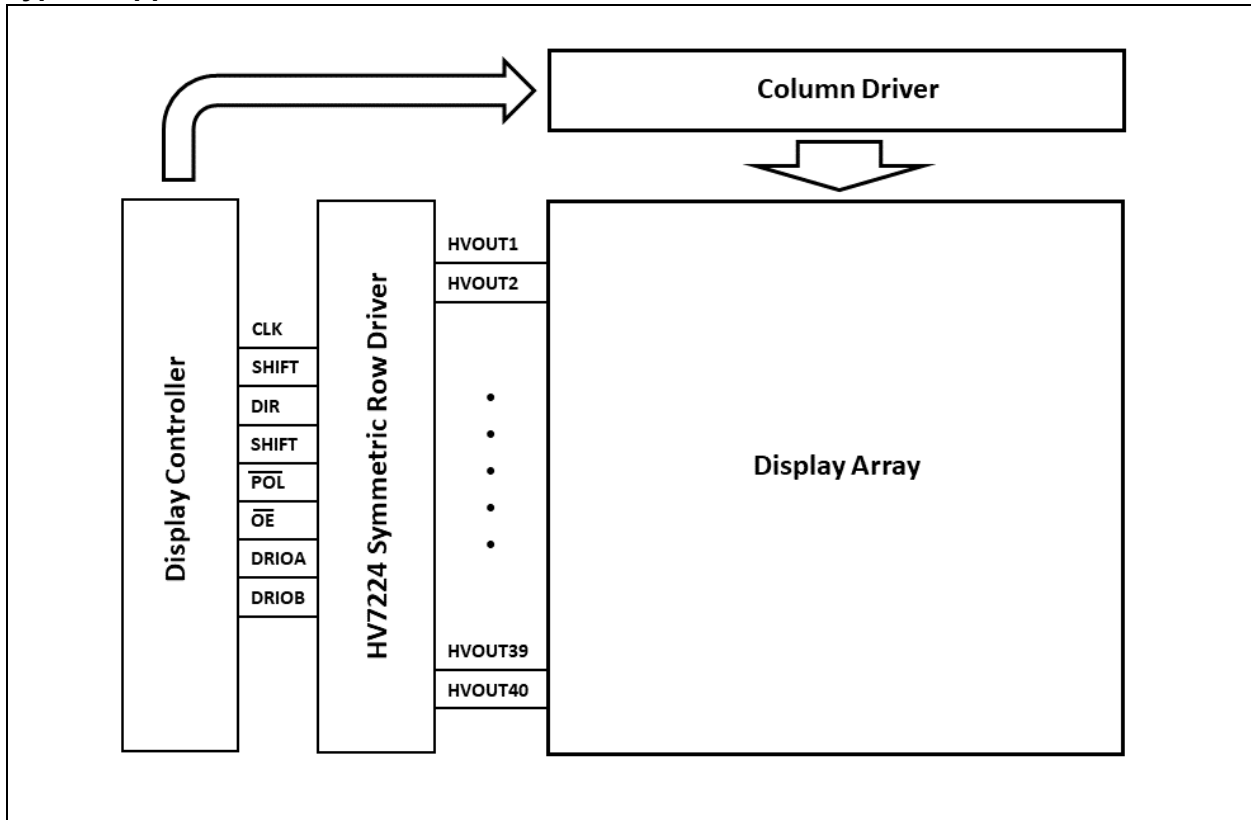


HV7224

Functional Block Diagram



Typical Application Circuit



HV7224

1.0 ELECTRICAL CHARACTERISTICS

Absolute Maximum Ratings†

Supply Voltage, V_{DD}	-0.5V to +7V
High-Voltage Supply Voltage, V_{PP}	-0.5V to +260V
Logic Input Levels	-0.5V to $V_{DD}+0.5V$
Maximum Junction Temperature, $T_{J(MAX)}$	+125°C
Storage Temperature, T_S	-65°C to +150°C
Continuous Total Power Dissipation:	
64-lead PQFP (Note 1)	1200 mW

† **Notice:** Stresses above those listed under “Absolute Maximum Ratings” may cause permanent damage to the device. This is a stress rating only, and functional operation of the device at those or any other conditions above those indicated in the operational sections of this specification is not intended. Exposure to maximum rating conditions for extended periods may affect device reliability.

Note 1: For operations above 25°C ambient, derate linearly to maximum operating temperature at 20 mW/°C.

RECOMMENDED OPERATING CONDITIONS

Parameter	Sym.	Min.	Typ.	Max.	Unit	Conditions
Logic Supply Voltage	V_{DD}	4.5	—	5.5	V	
High-Voltage Supply Voltage	V_{PP}	0	—	240	V	Note 1
High-Level Input Voltage	V_{IH}	0.7 V_{DD}	—	V_{DD}	V	
Low-Level Input Voltage	V_{IL}	0	—	0.2 V_{DD}	V	
Clock Frequency	f_{CLK}	—	—	3	MHz	
Operating Ambient Temperature	T_A	-40	—	+85	°C	
High-Voltage Output Current	I_O	—	—	±70	mA	
Allowable Current through Output Diodes	I_O	—	—	±300	mA	

Note 1: Output will not switch at $V_{PP} = 0V$.

DC ELECTRICAL CHARACTERISTICS

Electrical Specifications: Over recommended operating conditions unless otherwise stated, $V_{DD} = 5V$, $V_{PP} = 240V$, $T_A = 25^\circ C$.

Parameter	Sym.	Min.	Typ.	Max.	Unit	Conditions
V_{DD} Supply Current	I_{DD}	—	—	10	mA	$f_{CLK} = 3 \text{ MHz}$, $V_{DD} = 5.5V$
V_{PP} Supply Current	I_{PP}	—	—	2	mA	All outputs low or High-Z
		—	—	4	mA	One output high (Note 1)
Quiescent V_{DD} Supply Current	I_{DDQ}	—	—	100	μA	All $V_{IN} = GND$ or V_{DD}
High-Level Logic Input Current	I_{IH}	—	—	1	μA	$V_{IH} = V_{DD}$
Low-Level Logic Input Current	I_{IL}	—	—	-1	μA	$V_{IL} = 0V$
High-Level Output Voltage	HV _{OUT}	190	—	—	V	$I_O = -70 \text{ mA}$
	Data Out	4.5	—	—	V	$I_O = -100 \mu A$
Low-Level Output Voltage	HV _{OUT}	—	—	50	V	$I_O = 70 \text{ mA}$
	Data Out	—	—	0.5	V	$I_O = 100 \mu A$
HV _{OUT} Saturation Current	P-channel	-80	—	—	mA	
	N-channel	75	—	—	mA	

Note 1: Only one output can be turned on at a time.

AC ELECTRICAL CHARACTERISTICS

Electrical Specifications: $V_{DD} = 5V$ and $T_A = 25^\circ C$.

Parameter	Sym.	Min.	Typ.	Max.	Unit	Conditions
Clock Frequency	f_{CLK}	—	—	3	MHz	Per register, $C_L = 15 \text{ pF}$
Clock Width, High or Low	t_{WL} , t_{WH}	150	—	—	ns	
Data Setup Time before Clock Rises	t_{SUD}	50	—	—	ns	
Data Hold Time after Clock Rises	t_{HD}	50	—	—	ns	
HV _{OUT} Delay from Clock Rises (High-Z to H or L)	t_{SUC}	—	—	1	μs	$C_L = 330 \text{ pF} // R_L = 10 \text{ k}\Omega$
HV _{OUT} Delay from Output Enable \overline{OE} Falls	t_{SUE}	—	—	600	ns	$C_L = 330 \text{ pF} // R_L = 10 \text{ k}\Omega$
HV _{OUT} Delay from Clock Rises (H or L to High-Z)	t_{HC}	—	—	2	μs	$C_L = 330 \text{ pF} // R_L = 10 \text{ k}\Omega$
HV _{OUT} Delay from Output Enable \overline{OE} Falls	t_{HE}	—	—	600	ns	$C_L = 330 \text{ pF} // R_L = 10 \text{ k}\Omega$
Delay Time Clock to Data Output Falls	t_{DHL}	—	—	250	ns	$C_L = 15 \text{ pF}$ (Note 1)
Delay Time Clock to Data Output Rises	t_{DLH}	—	—	250	ns	$C_L = 15 \text{ pF}$ (Note 1)
HV _{OUT} Fall Time	t_{ONF}	—	—	2	μs	$C_L = 330 \text{ pF} // R_L = 10 \text{ k}\Omega$
HV _{OUT} Rise Time	t_{ONR}	—	—	2	μs	$C_L = 330 \text{ pF} // R_L = 10 \text{ k}\Omega$
POL Pulse Width	t_{POW}	3	—	—	μs	
Output Enable \overline{OE} Pulse Width	t_{OEW}	3	—	—	μs	
Slew Rate, V_{PP}	SR	—	—	45	V/ μs	One active output driving 4.7 nF load

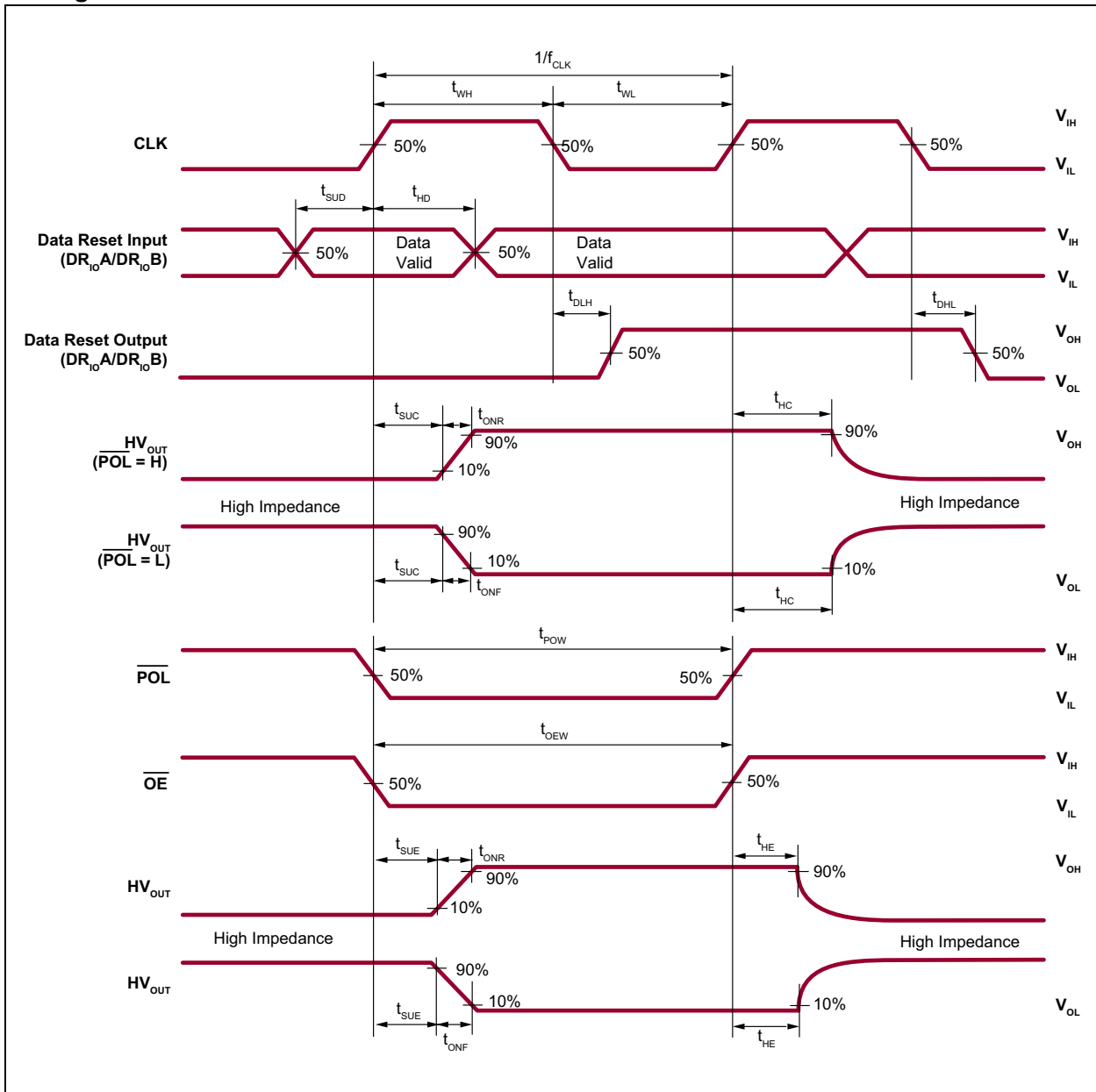
Note 1: The delay is measured from the trailing edge of the clock but the data is triggered by the rising edge of the clock. There is an internal delay for the data output which is equal to t_{WH} .

HV7224

TEMPERATURE SPECIFICATIONS

Parameter	Sym.	Min.	Typ.	Max.	Unit	Conditions
TEMPERATURE RANGE						
Operating Ambient Temperature	T_A	-40	—	+85	°C	
Storage Temperature	T_S	-65	—	+150	°C	
Maximum Junction Temperature	$T_{J(MAX)}$	-65	—	+150	°C	
PACKAGE THERMAL RESISTANCE						
64-lead PQFP	θ_{JA}	—	41	—	°C/W	

Timing Waveforms



2.0 PIN DESCRIPTION

The two pin function options for the HV7224 64-lead PQFP are specified in [Table 2-1](#) and [Table 2-2](#). Refer to [Package Type](#) for the location of pins.

TABLE 2-1: OPTION A PIN FUNCTION TABLE

Pin Number	Pin Name	Description
1	HVOUT1/40	High-voltage output
2	HVOUT2/39	High-voltage output
3	HVOUT3/38	High-voltage output
4	HVOUT4/37	High-voltage output
5	HVOUT5/36	High-voltage output
6	HVOUT6/35	High-voltage output
7	HVOUT7/34	High-voltage output
8	HVOUT8/33	High-voltage output
9	HVOUT9/32	High-voltage output
10	HVOUT10/31	High-voltage output
11	HVOUT11/30	High-voltage output
12	HVOUT12/29	High-voltage output
13	HVOUT13/28	High-voltage output
14	HVOUT14/27	High-voltage output
15	HVOUT15/26	High-voltage output
16	HVOUT16/25	High-voltage output
17	HVOUT17/24	High-voltage output
18	HVOUT18/23	High-voltage output
19	HVOUT19/22	High-voltage output
20	HVOUT20/21	High-voltage output
21	VPP	High-voltage power supply
22	NC	No connection
23	GND (Power)	High-voltage supply ground
24	GND (Logic)	Logic supply ground
25	DIR	Direction pin
26	VDD	Logic supply voltage
27	CLK	Clock pin
28	NC	No connection
29	SHIFT	Shift pin
30	NC	No connection
31	DRIOA	Data reset pin A
32	NC	No connection
33	NC	No connection
34	DRIOB	Data reset pin B

Note: Pin designation for DIR H/L, Shift = L.
 Example: For DIR = H, Pin 1 is HV_{OUT}1
 For DIR = L, Pin 1 is HV_{OUT}40

HV7224

TABLE 2-1: OPTION A PIN FUNCTION TABLE (CONTINUED)

Pin Number	Pin Name	Description
35	\overline{OE}	Output Enable pin
36	NC	No connection
37	\overline{POL}	Polarity pin
38	NC	No connection
39	VDD	Logic supply voltage
40	NC	No connection
41	GND (Logic)	Logic supply ground
42	GND (Power)	High-voltage supply ground
43	NC	No connection
44	VPP	High-voltage power supply
45	HVOUT21/20	High-voltage output
46	HVOUT22/19	High-voltage output
47	HVOUT23/18	High-voltage output
48	HVOUT24/17	High-voltage output
49	HVOUT25/16	High-voltage output
50	HVOUT26/15	High-voltage output
51	HVOUT27/14	High-voltage output
52	HVOUT28/13	High-voltage output
53	HVOUT29/12	High-voltage output
54	HVOUT30/11	High-voltage output
55	HVOUT31/10	High-voltage output
56	HVOUT32/9	High-voltage output
57	HVOUT33/8	High-voltage output
58	HVOUT34/7	High-voltage output
59	HVOUT35/6	High-voltage output
60	HVOUT36/5	High-voltage output
61	HVOUT37/4	High-voltage output
62	HVOUT38/3	High-voltage output
63	HVOUT39/2	High-voltage output
64	HVOUT40/1	High-voltage output

Note: Pin designation for DIR H/L, Shift = L.
Example: For DIR = H, Pin 1 is HV_{OUT}1
For DIR = L, Pin 1 is HV_{OUT}40

TABLE 2-2: OPTION B PIN FUNCTION TABLE

Pin Number	Pin Name	Description
1	HVOUT20/21	High-voltage output
2	HVOUT19/22	High-voltage output
3	HVOUT18/23	High-voltage output
4	HVOUT17/24	High-voltage output
5	HVOUT16/25	High-voltage output
6	HVOUT15/26	High-voltage output
7	HVOUT14/27	High-voltage output
8	HVOUT13/28	High-voltage output
9	HVOUT12/29	High-voltage output
10	HVOUT11/30	High-voltage output
11	HVOUT10/31	High-voltage output
12	HVOUT9/32	High-voltage output
13	HVOUT8/33	High-voltage output
14	HVOUT7/34	High-voltage output
15	HVOUT6/35	High-voltage output
16	HVOUT5/36	High-voltage output
17	HVOUT4/37	High-voltage output
18	HVOUT3/38	High-voltage output
19	HVOUT2/39	High-voltage output
20	HVOUT1/40	High-voltage output
21	VPP	High-voltage power supply
22	NC	No connection
23	GND (Power)	High-voltage supply ground
24	GND (Logic)	Logic supply ground
25	DIR	Direction pin
26	VDD	Logic supply voltage
27	CLK	Clock pin
28	NC	No connection
29	SHIFT	Shift pin
30	NC	No connection
31	DRIOA	Data reset pin A
32	NC	No connection
33	NC	No connection
34	DRIOB	Data reset pin B
35	\overline{OE}	Output enable pin
36	NC	No connection
37	\overline{POL}	Polarity pin
38	NC	No connection
39	VDD	Logic supply voltage

Note: Pin designation for DIR H/L, Shift = H.
 Example: For DIR = H, Pin 1 is HVOUT20
 For DIR = L, Pin 1 is HVOUT21

HV7224

TABLE 2-2: OPTION B PIN FUNCTION TABLE (CONTINUED)

Pin Number	Pin Name	Description
40	NC	No connection
41	GND (Logic)	Logic supply ground
42	GND (Power)	Ground power
43	NC	No connection
44	VPP	High-voltage power supply
45	HVOUT40/1	High-voltage output
46	HVOUT39/2	High-voltage output
47	HVOUT38/3	High-voltage output
48	HVOUT37/4	High-voltage output
49	HVOUT36/5	High-voltage output
50	HVOUT35/6	High-voltage output
51	HVOUT34/7	High-voltage output
52	HVOUT33/8	High-voltage output
53	HVOUT32/9	High-voltage output
54	HVOUT31/10	High-voltage output
55	HVOUT30/11	High-voltage output
56	HVOUT29/12	High-voltage output
57	HVOUT28/13	High-voltage output
58	HVOUT27/14	High-voltage output
59	HVOUT26/15	High-voltage output
60	HVOUT25/16	High-voltage output
61	HVOUT24/17	High-voltage output
62	HVOUT23/18	High-voltage output
63	HVOUT22/19	High-voltage output
64	HVOUT21/20	High-voltage output

Note: Pin designation for DIR H/L, Shift = H.
Example: For DIR = H, Pin 1 is HVOUT20
For DIR = L, Pin 1 is HVOUT21

3.0 FUNCTIONAL DESCRIPTION

Follow the steps in [Table 3-1](#) to power up and power down the HV7224.

TABLE 3-1: POWER-UP AND POWER-DOWN SEQUENCE

Power-Up		Power-Down	
Step	Description	Step	Description
1	Connect ground.	1	Remove V_{PP} . (Note 1)
2	Apply V_{DD} .	2	Remove all inputs.
3	Set all inputs (Data, CLK, EN, etc.) to a known state.	3	Remove V_{DD} .
4	Apply V_{PP} . (Note 1)	4	Disconnect ground.

Note 1: The V_{PP} should not drop below V_{DD} during operation.

TABLE 3-2: TRUTH FUNCTION TABLE

I/O Relations	Inputs					High-voltage Outputs
	CLK	DIR	S/R DATA	\overline{POL}	\overline{OE}	
O/P HIGH	X	X	H	H	L	H
O/P OFF	X	X	L	X	L	High-Z
O/P LOW	X	X	H	L	L	L
O/P OFF	X	X	X	X	H	All O/P High-Z

Note: H = High-logic level
 L = Low-logic level
 X = Irrelevant
 Data input (DR_{IO}) loaded on the low-to-high transition of the clock.
 Only one active output can be set at a time.

TABLE 3-3: OUTPUT SEQUENCE OPERATION TABLE

DIR	SHIFT	Data Reset In	Data Reset Out	HV _{OUT} # Sequence	Direction (Note 1)
L	L	DR_{IOB}	DR_{IOA} (Note 2)	40 → 1	↻
H	L	DR_{IOA}	DR_{IOB} (Note 3)	1 → 40	↻
L	H	DR_{IOB}	DR_{IOA} (Note 2)	20 → 1 → 40 → 21	↻
H	H	DR_{IOA}	DR_{IOB} (Note 3)	21 → 40 → 1 → 20	↻

Note 1: Reference to package outline or chip layout drawing
2: DR_{IOA} is DR_{IOB} delayed by 40 clock pulses.
3: DR_{IOB} is DR_{IOA} delayed by 40 clock pulses.

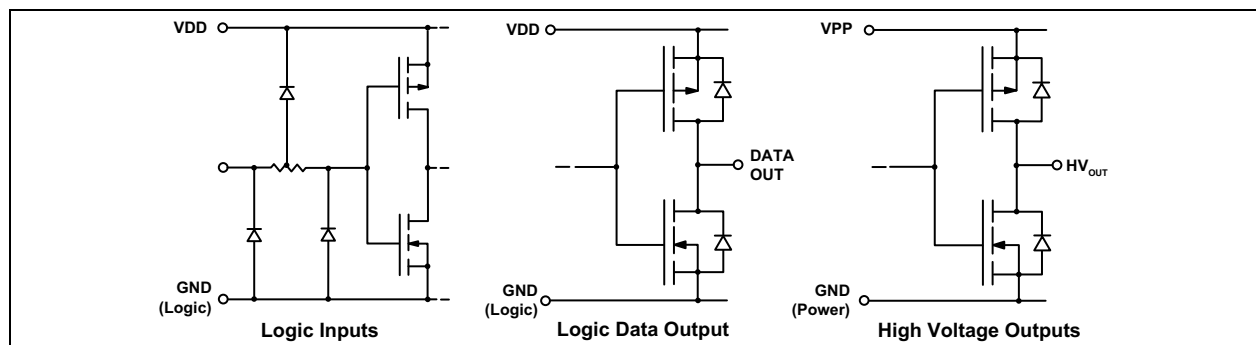


FIGURE 3-1: Input and Output Equivalent Circuits.

HV7224

4.0 PACKAGE MARKING INFORMATION

4.1 Packaging Information

64-lead PQFP



Example



Legend:	XX...X	Product Code or Customer-specific information
	Y	Year code (last digit of calendar year)
	YY	Year code (last 2 digits of calendar year)
	WW	Week code (week of January 1 is week '01')
	NNN	Alphanumeric traceability code
	(e3)	Pb-free JEDEC [®] designator for Matte Tin (Sn)
	*	This package is Pb-free. The Pb-free JEDEC designator (e3) can be found on the outer packaging for this package.
Note:	In the event the full Microchip part number cannot be marked on one line, it will be carried over to the next line, thus limiting the number of available characters for product code or customer-specific information. Package may or not include the corporate logo.	

HV7224

NOTES:

APPENDIX A: REVISION HISTORY

Revision A (April 2020)

- Converted Supertex Doc # DSFP-HV7224 to Microchip DS20005895A
- Removed “HVMOS[®] Technology” in the Features section
- Changed the package marking format
- Made minor changes throughout the document

HV7224

PRODUCT IDENTIFICATION SYSTEM

To order or obtain information, e.g., on pricing or delivery, contact your local Microchip representative or sales office.

<u>PART NO.</u>	<u>XX</u>	-	<u>X</u>	-	<u>X</u>
Device	Package Options		Environmental		Media Type
Device:	HV7224	=	40-Channel Symmetric Row Driver		
Package:	PG	=	64-lead PQFP		
Environmental:	G	=	Lead (Pb)-free/RoHS-compliant Package		
Media Type:	(blank)	=	66/Tray for a PG Package		

Example:

a) HV7224PG-G: 40-Channel Symmetric Row Driver, 64-lead PQFP, 66/Tray

Note the following details of the code protection feature on Microchip devices:

- Microchip products meet the specification contained in their particular Microchip Data Sheet.
- Microchip believes that its family of products is one of the most secure families of its kind on the market today, when used in the intended manner and under normal conditions.
- There are dishonest and possibly illegal methods used to breach the code protection feature. All of these methods, to our knowledge, require using the Microchip products in a manner outside the operating specifications contained in Microchip's Data Sheets. Most likely, the person doing so is engaged in theft of intellectual property.
- Microchip is willing to work with the customer who is concerned about the integrity of their code.
- Neither Microchip nor any other semiconductor manufacturer can guarantee the security of their code. Code protection does not mean that we are guaranteeing the product as “unbreakable.”

Code protection is constantly evolving. We at Microchip are committed to continuously improving the code protection features of our products. Attempts to break Microchip's code protection feature may be a violation of the Digital Millennium Copyright Act. If such acts allow unauthorized access to your software or other copyrighted work, you may have a right to sue for relief under that Act.

Information contained in this publication regarding device applications and the like is provided only for your convenience and may be superseded by updates. It is your responsibility to ensure that your application meets with your specifications. MICROCHIP MAKES NO REPRESENTATIONS OR WARRANTIES OF ANY KIND WHETHER EXPRESS OR IMPLIED, WRITTEN OR ORAL, STATUTORY OR OTHERWISE, RELATED TO THE INFORMATION, INCLUDING BUT NOT LIMITED TO ITS CONDITION, QUALITY, PERFORMANCE, MERCHANTABILITY OR FITNESS FOR PURPOSE. Microchip disclaims all liability arising from this information and its use. Use of Microchip devices in life support and/or safety applications is entirely at the buyer's risk, and the buyer agrees to defend, indemnify and hold harmless Microchip from any and all damages, claims, suits, or expenses resulting from such use. No licenses are conveyed, implicitly or otherwise, under any Microchip intellectual property rights unless otherwise stated.

Trademarks

The Microchip name and logo, the Microchip logo, Adaptec, AnyRate, AVR, AVR logo, AVR Freaks, BesTime, BitCloud, chipKIT, chipKIT logo, CryptoMemory, CryptoRF, dsPIC, FlashFlex, flexPWR, HELDO, IGLoo, JukeBlox, KeeLoq, Klear, LANCheck, LinkMD, maXStylus, maXTouch, MediaLB, megaAVR, Microsemi, Microsemi logo, MOST, MOST logo, MPLAB, OptoLyzer, PackeTime, PIC, picoPower, PICSTART, PIC32 logo, PolarFire, Prochip Designer, QTouch, SAM-BA, SenGenuity, SpyNIC, SST, SST Logo, SuperFlash, Symmetricom, SyncServer, Tachyon, TempTrackr, TimeSource, tinyAVR, UNI/O, Vectron, and XMEGA are registered trademarks of Microchip Technology Incorporated in the U.S.A. and other countries.

APT, ClockWorks, The Embedded Control Solutions Company, EtherSynch, FlashTec, Hyper Speed Control, HyperLight Load, IntelliMOS, Libero, motorBench, mTouch, Powermite 3, Precision Edge, ProASIC, ProASIC Plus, ProASIC Plus logo, Quiet-Wire, SmartFusion, SyncWorld, Temux, TimeCesium, TimeHub, TimePictra, TimeProvider, Vite, WinPath, and ZL are registered trademarks of Microchip Technology Incorporated in the U.S.A.

Adjacent Key Suppression, AKS, Analog-for-the-Digital Age, Any Capacitor, AnyIn, AnyOut, BlueSky, BodyCom, CodeGuard, CryptoAuthentication, CryptoAutomotive, CryptoCompanion, CryptoController, dsPICDEM, dsPICDEM.net, Dynamic Average Matching, DAM, ECAN, EtherGREEN, In-Circuit Serial Programming, ICSP, INICnet, Inter-Chip Connectivity, JitterBlocker, KlearNet, KlearNet logo, memBrain, Mindi, MiWi, MPASM, MPF, MPLAB Certified logo, MPLIB, MPLINK, MultiTRAK, NetDetach, Omniscient Code Generation, PICDEM, PICDEM.net, PICkit, PICtail, PowerSmart, PureSilicon, QMatrix, REAL ICE, Ripple Blocker, SAM-ICE, Serial Quad I/O, SMART-I.S., SQR, SuperSwitcher, SuperSwitcher II, Total Endurance, TSHARC, USBCheck, VariSense, ViewSpan, WiperLock, Wireless DNA, and ZENA are trademarks of Microchip Technology Incorporated in the U.S.A. and other countries.

SQTP is a service mark of Microchip Technology Incorporated in the U.S.A.

The Adaptec logo, Frequency on Demand, Silicon Storage Technology, and Symmcom are registered trademarks of Microchip Technology Inc. in other countries.

GestIC is a registered trademark of Microchip Technology Germany II GmbH & Co. KG, a subsidiary of Microchip Technology Inc., in other countries.

All other trademarks mentioned herein are property of their respective companies.

© 2020, Microchip Technology Incorporated, All Rights Reserved.

ISBN: 978-1-5224-5917-0

For information regarding Microchip's Quality Management Systems, please visit www.microchip.com/quality.



MICROCHIP

Worldwide Sales and Service

AMERICAS

Corporate Office
2355 West Chandler Blvd.
Chandler, AZ 85224-6199
Tel: 480-792-7200
Fax: 480-792-7277
Technical Support:
<http://www.microchip.com/support>
Web Address:
www.microchip.com

Atlanta

Duluth, GA
Tel: 678-957-9614
Fax: 678-957-1455

Austin, TX

Tel: 512-257-3370

Boston

Westborough, MA
Tel: 774-760-0087
Fax: 774-760-0088

Chicago

Itasca, IL
Tel: 630-285-0071
Fax: 630-285-0075

Dallas

Addison, TX
Tel: 972-818-7423
Fax: 972-818-2924

Detroit

Novi, MI
Tel: 248-848-4000

Houston, TX

Tel: 281-894-5983

Indianapolis

Noblesville, IN
Tel: 317-773-8323
Fax: 317-773-5453
Tel: 317-536-2380

Los Angeles

Mission Viejo, CA
Tel: 949-462-9523
Fax: 949-462-9608
Tel: 951-273-7800

Raleigh, NC

Tel: 919-844-7510

New York, NY

Tel: 631-435-6000

San Jose, CA

Tel: 408-735-9110
Tel: 408-436-4270

Canada - Toronto

Tel: 905-695-1980
Fax: 905-695-2078

ASIA/PACIFIC

Australia - Sydney
Tel: 61-2-9868-6733

China - Beijing
Tel: 86-10-8569-7000

China - Chengdu
Tel: 86-28-8665-5511

China - Chongqing
Tel: 86-23-8980-9588

China - Dongguan
Tel: 86-769-8702-9880

China - Guangzhou
Tel: 86-20-8755-8029

China - Hangzhou
Tel: 86-571-8792-8115

China - Hong Kong SAR
Tel: 852-2943-5100

China - Nanjing
Tel: 86-25-8473-2460

China - Qingdao
Tel: 86-532-8502-7355

China - Shanghai
Tel: 86-21-3326-8000

China - Shenyang
Tel: 86-24-2334-2829

China - Shenzhen
Tel: 86-755-8864-2200

China - Suzhou
Tel: 86-186-6233-1526

China - Wuhan
Tel: 86-27-5980-5300

China - Xian
Tel: 86-29-8833-7252

China - Xiamen
Tel: 86-592-2388138

China - Zhuhai
Tel: 86-756-3210040

ASIA/PACIFIC

India - Bangalore
Tel: 91-80-3090-4444

India - New Delhi
Tel: 91-11-4160-8631

India - Pune
Tel: 91-20-4121-0141

Japan - Osaka
Tel: 81-6-6152-7160

Japan - Tokyo
Tel: 81-3-6880-3770

Korea - Daegu
Tel: 82-53-744-4301

Korea - Seoul
Tel: 82-2-554-7200

Malaysia - Kuala Lumpur
Tel: 60-3-7651-7906

Malaysia - Penang
Tel: 60-4-227-8870

Philippines - Manila
Tel: 63-2-634-9065

Singapore
Tel: 65-6334-8870

Taiwan - Hsin Chu
Tel: 886-3-577-8366

Taiwan - Kaohsiung
Tel: 886-7-213-7830

Taiwan - Taipei
Tel: 886-2-2508-8600

Thailand - Bangkok
Tel: 66-2-694-1351

Vietnam - Ho Chi Minh
Tel: 84-28-5448-2100

EUROPE

Austria - Wels
Tel: 43-7242-2244-39
Fax: 43-7242-2244-393

Denmark - Copenhagen
Tel: 45-4485-5910
Fax: 45-4485-2829

Finland - Espoo
Tel: 358-9-4520-820

France - Paris
Tel: 33-1-69-53-63-20
Fax: 33-1-69-30-90-79

Germany - Garching
Tel: 49-8931-9700

Germany - Haan
Tel: 49-2129-3766400

Germany - Heilbronn
Tel: 49-7131-72400

Germany - Karlsruhe
Tel: 49-721-625370

Germany - Munich
Tel: 49-89-627-144-0
Fax: 49-89-627-144-44

Germany - Rosenheim
Tel: 49-8031-354-560

Israel - Ra'anana
Tel: 972-9-744-7705

Italy - Milan
Tel: 39-0331-742611
Fax: 39-0331-466781

Italy - Padova
Tel: 39-049-7625286

Netherlands - Drunen
Tel: 31-416-690399
Fax: 31-416-690340

Norway - Trondheim
Tel: 47-7288-4388

Poland - Warsaw
Tel: 48-22-3325737

Romania - Bucharest
Tel: 40-21-407-87-50

Spain - Madrid
Tel: 34-91-708-08-90
Fax: 34-91-708-08-91

Sweden - Gothenberg
Tel: 46-31-704-60-40

Sweden - Stockholm
Tel: 46-8-5090-4654

UK - Wokingham
Tel: 44-118-921-5800
Fax: 44-118-921-5820