



ExpressLane PEX 8624-AA, AB, and BB 24-Lane/6-Port PCI Express Gen 2 Switch Data Book

Version 1.3

June 2012

Website www.plxtech.com

Technical Support www.plxtech.com/support

Phone 800 759-3735

408 774-9060

FAX 408 774-2169

Revision History

| Version | Date | Description of Changes |
|---------|-----------------|--|
| 1.0 | February, 2009 | Production release, Silicon Revision BB. Support for pre-Production Silicon Revisions AA and AB is also included. |
| 1.1 | September, 2009 | Production update, Silicon Revision BB. Applied miscellaneous corrections, changes, and enhancements throughout data book. |
| 1.2 | October, 2010 | Production update, Silicon Revision BB. Added support for Industrial temperature. Updated PEX 8624 part ordering information. Applied miscellaneous corrections, changes, and enhancements throughout data book. |
| 1.3 | June, 2012 | Production update, Silicon Revision BB. Corrected the JTAG IDCODE version number. Updated the thermal matrix table. Updated the ordering part number. Applied miscellaneous corrections, changes, and enhancements throughout data book. |

Copyright Information

Copyright © 2009 – 2012 PLX Technology, Inc. All Rights Reserved. The information in this document is proprietary and confidential to PLX Technology. No part of this document may be reproduced in any form or by any means or used to make any derivative work (such as translation, transformation, or adaptation) without written permission from PLX Technology.

PLX Technology provides this documentation without warranty, term or condition of any kind, either express or implied, including, but not limited to, express and implied warranties of merchantability, fitness for a particular purpose, and non-infringement. While the information contained herein is believed to be accurate, such information is preliminary, and no representations or warranties of accuracy or completeness are made. In no event will PLX Technology be liable for damages arising directly or indirectly from any use of or reliance upon the information contained in this document. PLX Technology may make improvements or changes in the product(s) and/or the program(s) described in this documentation at any time.

PLX Technology retains the right to make changes to this product at any time, without notice. Products may have minor variations to this publication, known as errata. PLX Technology assumes no liability whatsoever, including infringement of any patent or copyright, for sale and use of PLX Technology products.

PLX Technology and the PLX logo are registered trademarks and Dual Cast, ExpressLane, *performancePAK*, Read Pacing, and *visionPAK* are trademarks of PLX Technology, Inc.

PCI Express is a trademark of the PCI Special Interest Group (PCI-SIG).

EUI-64 is a trademark of The Institute of Electrical and Electronics Engineers, Inc. (IEEE).

Tri-State is a registered trademark of Texas Instruments, Inc.

All product names are trademarks, registered trademarks, or service marks of their respective owners.

Document Number: 8624-AA/AB/BB-SIL-DB-P1-1.3

Preface

The information in this data book is subject to change without notice. This PLX data book to be updated periodically as new information is made available.

Audience

This data book provides functional details of PLX Technology's ExpressLane PEX 8624-AA, AB, and BB 24-Lane/6-Port PCI Express Gen 2 Switch, for hardware designers and software/firmware engineers. The information provided pertains to all Silicon Revisions (AA, AB, and BB), unless specified otherwise.

Supplemental Documentation

This data book assumes that the reader is familiar with the following documents:

- PLX Technology, Inc. (PLX), www.plxtech.com
The [PLX PEX 8624 Toolbox](#) includes this data book and other supporting documentation, such as errata, and design and application notes.
- The Institute of Electrical and Electronics Engineers, Inc. (IEEE), www.ieee.org
 - *IEEE Standard 1149.1-1990, IEEE Standard Test Access Port and Boundary-Scan Architecture*
 - *IEEE Standard 1149.1a-1993, IEEE Standard Test Access Port and Boundary-Scan Architecture*
 - *IEEE Standard 1149.1-1994, Specifications for Vendor-Specific Extensions*
 - *IEEE Standard 1149.6-2003, IEEE Standard Test Access Port and Boundary-Scan Architecture Extensions*
- NXP Semiconductors, ics.nxp.com
 - [The I2C-Bus Specification, Version 2.1](#)
- PCI Special Interest Group (PCI-SIG), www.pcisig.com
 - *PCI Local Bus Specification, Revision 3.0*
 - *PCI Bus Power Management Interface Specification, Revision 1.2*
 - *PCI to PCI Bridge Architecture Specification, Revision 1.2*
 - *PCI Express Base Specification, Revision 1.1*
 - *PCI Express Base Specification, Revision 2.0*
 - *PCI Express Base Specification, Revision 2.0 Errata*
 - *PCI Express Card Electromechanical Specification, Revision 2.0*
 - *PCI Express Mini Card Electromechanical Specification, Revision 1.1*
 - [PCI Express Architecture PCI Express Jitter and BER White Paper, Revision 1.0](#)
- Personal Computer Memory Card International Association (PCMCIA), www.pcmcia.org
 - *ExpressCard Standard Release 1.0*
- PXI Systems Alliance (PXI), www.pxisa.org
 - *PXI-5 PXI Express Hardware Specification, Revision 1.0*

Note: In this data book, shortened titles are associated with the previously listed documents. The following table lists these abbreviations.

| Abbreviation | Document |
|---|---|
| <i>PCI r3.0</i> | <i>PCI Local Bus Specification, Revision 3.0</i> |
| <i>PCI Power Mgmt. r1.2</i> | <i>PCI Bus Power Management Interface Specification, Revision 1.2</i> |
| <i>PCI-to-PCI Bridge r1.2</i> | <i>PCI to PCI Bridge Architecture Specification, Revision 1.2</i> |
| <i>PCI Express Base r1.1</i> | <i>PCI Express Base Specification, Revision 1.1</i> |
| <i>PCI Express Base r2.0</i> | <i>PCI Express Base Specification, Revision 2.0</i> |
| <i>PCI ExpressCard CEM r2.0</i> | <i>PCI Express Card Electromechanical Specification, Revision 2.0</i> |
| <i>PCI ExpressCard Mini CEM r1.1</i> | <i>PCI Express Mini Card Electromechanical Specification, Revision 1.1</i> |
| <i>IEEE Standard 1149.1-1990</i> | <i>IEEE Standard Test Access Port and Boundary-Scan Architecture</i> |
| <i>IEEE Standard 1149.6-2003</i> | <i>IEEE Standard Test Access Port and Boundary-Scan Architecture Extensions</i> |
| <i>I²C Bus v2.1</i> <i>I2C Bus v2.1^a</i> | <i>The I²C-Bus Specification, Version 2.1</i> |

a. Due to formatting limitations, the specification name may appear without the superscripted “2” in its title.

Terms and Abbreviations

The following table lists common terms and abbreviations used in this data book. Terms and abbreviations defined in the *PCI Express Base r2.0* are not included in this table.

| Terms and Abbreviations | Definitions |
|-------------------------|---|
| 8b/10b | Data-encoding scheme used on data transferred across a Link that is operating at either Gen 1 or Gen 2 Link speed (2.5 or 5.0 GT/s, respectively). |
| ACK | Acknowledge Control Packet. Control packet used by a destination to acknowledge data packet receipt. Signal that acknowledges signal receipt. |
| AMCAM | Address-mapping CAM that determines a memory Request route. Contains mirror copies of the PCI-to-PCI bridge Memory Base and Memory Limit registers in the PEX 8624. |
| ARI | Alternative Routing-ID Interpretation. |
| BAR | Base Address register. |
| BER | Bit error rate. |
| BusNoCAM | Bus Number-mapping CAM that determines the Completion route. Contains mirror copies of the PCI-to-PCI bridge Secondary Bus Number and Subordinate Bus Number registers in the PEX 8624. |
| CAM | Content-Addressable Memory. |
| CDR | Clock Data Recovery. |
| CRC | Cyclic Redundancy Check. |
| CSR | Configuration Space register. |
| DLL | Data Link Layer. |
| DMA | Direct Memory Access. |
| Downstream Station | Station that contains only downstream Ports. |
| ECC | Error-Correcting Code. |
| ECRC | End-to-end Cyclic Redundancy Check. |
| EIOS | Electrical Idle Ordered-Set. |
| EP | Endpoint. |
| Field | Multiple register bits that are combined for a single function. |
| FC | Flow Control. |
| GPIO | General-Purpose Input/Output. |
| GT/s | Giga-Transfers per second. |
| INCH | Ingress Credit Handler. |
| InitFC | Initialization Flow Control. |
| IOCAM | I/O-mapping CAM that determines an I/O Request route. Contains mirror copies of the PCI-to-PCI bridge I/O Base and I/O Limit registers in the PEX 8624. |
| JTAG | Joint Test Action Group. |
| Lane | Bidirectional pair of differential PCI Express I/O signals. |
| LCRC | Link Cyclic Redundancy Check. |
| Link Interface | Primary side of the NT Port, connects to external device pins. The secondary side of the NT Port is referred to as the <i>NT Port Virtual Interface</i> , and connects to the internal virtual PCI Express interface. |

| Terms and Abbreviations | Definitions |
|-------------------------|---|
| Local | Reference to PCI Express attributes (<i>such as</i> credits) that belong to the PCI Express Station. |
| LTSSM | Link Training and Status State Machine. |
| LUT | Lookup Table. |
| MRL | Manually operated Retention Latch. |
| NAK | Negative Acknowledge. |
| N_FTS | Number of Fast Training Sequences field in Training Sets. |
| NT | Non-Transparent. A bridging technique used in the PCI Express Switch to isolate Memory spaces by presenting the processor as an endpoint rather than another memory system. The PEX 8624 supports one NT Port. |
| PCI Express Station | Functional unit that provides the PCI Express conforming system interface. Includes the Serializer/De-Serializer (SerDes) hardware interface modules and PCI Express interface, which provides the Physical Layer (PHY), Data Link Layer (DLL), and Transaction Layer (TL) logic. |
| PEX | PCI Express. |
| PHY | Physical Layer. |
| PLL | Phase-Locked Loop. |
| PM | Power Management. |
| PME | Power Management Event. |
| Port | Interface to a group of SerDes and supporting logic that is capable of creating a Link, for communication with another Port. |
| P-P | PCI-to-PCI. |
| PRBS | Pseudo-Random Bit Sequence. |
| QoS | Quality of Service. |
| RAS | Reliability, Availability, and Serviceability. |
| RoHS | Restrictions on the use of certain Hazardous Substances (RoHS) Directive. |
| RR | Round-Robin scheduling. |
| Rx | Receiver. |
| SerDes | Serializer/De-Serializer. A high-speed differential-signaling parallel-to-serial and serial-to-parallel conversion logic attached to Lane pads. |
| SPI | Serial Peripheral Interface. |
| Sticky bits | Register bits in which the current values are unchanged by a Hot Reset, Link Down event, or Secondary Bus Reset, while the PEX 8624 is powered. Sticky bits are reset to default values by a Fundamental Reset. Applies to ROS, RW1CS, and RWS CSR types, and sometimes HwInit. (Refer to Table 12-5, “Register Types, Grouped by User Accessibility,” for CSR type definitions.) |
| TC | Traffic Class. |
| TCB | Training Control Bit field in Training Sets. |

| Terms and Abbreviations | Definitions |
|-------------------------|--|
| TL | Transaction Layer. |
| TLC | Transaction Layer Control. The module performing PCI Express Transaction Layer functions. |
| TLP | Transaction Layer Packet. PCI Express packet formation and organization. |
| Transparent | Refers to standard PCI Express upstream-to-downstream routing protocol. |
| TS1 | Type 1 Training Sequence Ordered-Set. |
| TS2 | Type 2 Training Sequence Ordered-Set. |
| Tx | Transceiver. |
| UI | Unit Interval – 400 ps at 2.5 GT/s, 200 ps at 5.0 GT/s. |
| Upstream Station | Contains the component's upstream Port. An upstream Station can also contain one or more downstream Ports. |
| UTP | User Test Pattern. |
| VC | Virtual Channel. |
| Vector | Address and data. |
| Virtual Interface | Secondary side of the NT Port, connects to the internal virtual PCI Express interface. |
| WRR | Weighted Round-Robin scheduling. |

Data Book Notations and Conventions

| Notation / Convention | Description |
|------------------------------|---|
| Blue text | Indicates that the text is hyperlinked to its description elsewhere in the data book. Left-click the blue text to learn more about the hyperlinked information. This format is often used for register names, register bit and field names, register offsets, chapter and section titles, figures, and tables. |
| PEX_XXXn[x] PEX_XXXp[x] | When the signal name appears in all CAPS, with the primary Port description listed first, field [x] indicates the number associated with the signal balls/pads assigned to a specific SerDes module/Lane. The lowercase “n” (negative) or “p” (positive) suffix indicates the differential pair of signals, which are always used together. |
| # = Active-Low signals | Unless specified otherwise, Active-Low signals are identified by a “#” appended to the term (<i>for example</i> , PEX_PERST#). |
| Program/code samples | Monospace font (<i>program or code samples</i>) is used to identify code samples or programming references. These code samples are case-sensitive, unless specified otherwise. |
| command_done | Interrupt format. |
| Command/Status | Register names. |
| <i>Parity Error Detected</i> | Register parameter [bit or field] or control function. |
| Upper Base Address[31:16] | Specific Function in 32-bit register bounded by bits [31:16]. |
| Number multipliers | k = 1,000 (10^3) is generally used with frequency response. K = 1,024 (2^{10}) is used for Memory size references. KB = 1,024 bytes. M = meg. = 1,000,000 when referring to frequency (decimal notation) = 1,048,576 when referring to Memory sizes (binary notation) |
| 255d | d = Suffix that identifies decimal values. |
| 1Fh | h = Suffix that identifies hex values. Each prefix term is equivalent to a 4-bit binary value (Nibble). Legal prefix terms are 0, 1, 2, 3, 4, 5, 6, 7, 8, 9, A, B, C, D, E, F. |
| 1010b | b = suffix which identifies binary notation (<i>for example</i> , 01b, 010b, 1010b, and so forth). Not used with single-digit values of 0 nor 1. |
| 0 through 9 | Decimal numbers, or single binary numbers. |
| byte | Eight bits – abbreviated to “B” (<i>for example</i> , 4B = 4 bytes). |
| LSB | Least-Significant Byte. |
| lsb | Least-significant bit. |
| MSB | Most-Significant Byte. |
| msb | Most-significant bit. |
| DWord | Double-Word (32 bits) is the primary register size in these devices. |
| QWord | Quad-Word (64 bits). |
| Reserved | Do not modify reserved bits and words. Unless specified otherwise, these bits read as 0 and must be written as 0. |
| word | 16 bits. |

Contents

| | | |
|------------------|--|-----------|
| Chapter 1 | Introduction | 1 |
| | 1.1 Overview | 1 |
| | 1.2 Features | 3 |
| Chapter 2 | Features and Applications | 7 |
| | 2.1 Flexible and Feature-Rich 24-Lane, 6-Port Switch | 7 |
| | 2.1.1 Highly Flexible Port Configurations | 7 |
| | 2.1.2 Non-Blocking Crossbar Switch Architecture | 7 |
| | 2.1.3 Low Packet Latency and High Performance | 8 |
| | 2.1.3.1 Data Payloads | 8 |
| | 2.1.3.2 Cut-Thru Mode | 8 |
| | 2.1.4 Virtual Channel and Traffic Classes | 8 |
| | 2.1.5 End-to-End Packet Integrity | 8 |
| | 2.1.6 Configuration Flexibility | 9 |
| | 2.1.7 Interoperability | 9 |
| | 2.1.8 Low Power with Granular SerDes Control | 9 |
| | 2.1.9 Dynamic Lane Reversal | 9 |
| | 2.1.10 <i>performancePAK</i> | 10 |
| | 2.1.10.1 Read Pacing | 10 |
| | 2.1.10.2 Dual Cast | 10 |
| | 2.1.10.3 Dynamic Buffer Pool | 10 |
| | 2.1.11 <i>visionPAK</i> | 11 |
| | 2.1.11.1 Performance Monitoring | 11 |
| | 2.1.11.2 Error Injection | 11 |
| | 2.1.11.3 SerDes Loopback | 11 |
| | 2.1.11.4 SerDes Eye Capture | 11 |
| | 2.1.12 Hot Plug for High Availability | 12 |
| | 2.1.13 Fully Compliant Power Management | 12 |
| | 2.1.14 General-Purpose Input/Output Signals | 12 |
| | 2.1.15 PCI Express Switch Non-Transparent Bridging | 13 |
| | 2.2 Applications | 14 |
| | 2.2.1 Host-Centric Fan-Out | 14 |
| | 2.2.2 Communications Systems | 15 |
| | 2.2.3 Embedded Systems | 16 |
| | 2.2.4 Intelligent Adapter Board Usage | 17 |
| | 2.2.5 Failover Storage Systems with Dual Cast | 18 |
| | 2.3 Software Usage Model | 19 |
| | 2.3.1 System Configuration | 19 |
| | 2.3.2 Interrupt Sources and Events | 19 |
| Chapter 3 | Signal Ball Description | 21 |
| | 3.1 Introduction | 21 |
| | 3.2 Abbreviations | 21 |
| | 3.3 Internal Pull-Up/Pull-Down Resistors | 22 |
| | 3.4 Signal Ball Descriptions | 22 |
| | 3.4.1 PCI Express Signals | 23 |
| | 3.4.2 Hot Plug Signals | 25 |
| | 3.4.2.1 Parallel Hot Plug Signals | 25 |
| | 3.4.2.2 Serial Hot Plug Signals | 32 |

| | | |
|------------------|--|-----------|
| 3.4.3 | Serial EEPROM Signals | 33 |
| 3.4.4 | Strapping Signals | 34 |
| 3.4.5 | JTAG Interface Signals | 39 |
| 3.4.6 | I ² C Slave Interface Signals | 40 |
| 3.4.7 | Device-Specific Signals | 41 |
| 3.4.8 | External Resistor Signals | 45 |
| 3.4.9 | No Connect Signals | 46 |
| 3.4.10 | Power and Ground Signals | 47 |
| 3.5 | Physical Layout | 48 |
| Chapter 4 | Functional Overview | 49 |
| 4.1 | Hardware Architecture | 49 |
| 4.1.1 | Station and Port Functions | 50 |
| 4.1.1.1 | Port Configurations | 50 |
| 4.1.1.2 | Port Numbering | 52 |
| 4.2 | PCI Express Station Functional Description | 53 |
| 4.3 | Physical Layer | 54 |
| 4.3.1 | Physical Layer Features | 54 |
| 4.3.2 | Physical Layer Status and Command Registers | 55 |
| 4.3.3 | Hardware Link Interface Configuration | 55 |
| 4.4 | Transaction Layer | 56 |
| 4.4.1 | Locked Transactions | 58 |
| 4.4.2 | Relaxed Ordering | 58 |
| 4.4.3 | TL Transmit/Egress Protocol – End-to-End Cyclic Redundancy Check | 58 |
| 4.4.4 | TL Receive/Ingress Protocol | 59 |
| 4.4.5 | Flow Control Credit Initialization | 59 |
| 4.4.6 | Flow Control Protocol | 59 |
| 4.5 | PCI-Compatible Software Model | 60 |
| Chapter 5 | Reset and Initialization | 61 |
| 5.1 | Reset Overview | 61 |
| 5.1.1 | Fundamental Reset | 62 |
| 5.1.2 | Hot Reset | 62 |
| 5.1.3 | Secondary Bus Reset | 62 |
| 5.1.4 | Register Bits that Affect Hot Reset | 62 |
| 5.1.5 | Reset and Clock Initialization Timing | 63 |
| 5.2 | Initialization | 64 |
| 5.2.1 | Default Port Configuration | 65 |
| 5.2.2 | Default Register Initialization | 65 |
| 5.2.2.1 | Device-Specific Registers | 65 |
| 5.2.3 | Serial EEPROM Load Time | 66 |
| 5.2.4 | I ² C Load Time | 66 |
| Chapter 6 | Serial EEPROM Controller | 67 |
| 6.1 | Overview | 67 |
| 6.2 | Features | 68 |
| 6.3 | Serial EEPROM Load Following Upstream Port Reset | 68 |
| 6.4 | Serial EEPROM Data Format | 69 |
| 6.5 | Serial EEPROM Initialization | 72 |
| 6.6 | PCI Express Configuration, Control, and Status Registers | 73 |
| 6.7 | Serial EEPROM Registers | 73 |

| | | |
|------------------|--|-----------|
| 6.8 | Serial EEPROM Random Write/Read Access | 74 |
| 6.8.1 | Writing to Serial EEPROM | 74 |
| 6.8.2 | Reading from Serial EEPROM | 75 |
| 6.8.3 | Programming a Blank Serial EEPROM | 75 |
| 6.9 | Serial EEPROM Loading of NT Port Link Interface Registers | 76 |
| 6.10 | NT Port Expansion ROM | 76 |
| Chapter 7 | I²C Slave Interface Operation | 77 |
| 7.1 | I ² C Support Overview | 77 |
| 7.2 | I ² C Addressing – Slave Mode Access | 78 |
| 7.3 | I ² C Command Format | 78 |
| 7.4 | I ² C Register Write Access | 79 |
| 7.4.1 | Register Write | 82 |
| 7.5 | I ² C Register Read Access | 84 |
| 7.5.1 | Register Read Address Phase and Command Packet | 87 |
| 7.5.2 | Register Read Data Packet | 88 |
| Chapter 8 | Performance Metrics | 89 |
| 8.1 | Introduction | 89 |
| 8.2 | Throughput | 89 |
| 8.2.1 | Shared Wire | 89 |
| 8.2.2 | Unidirectional Throughput | 90 |
| 8.2.3 | Ideal PCI Express Throughput | 92 |
| 8.2.4 | Bidirectional PCI Express Throughput | 94 |
| 8.2.5 | Read Completion Throughput | 102 |
| 8.3 | DLLP Policies | 104 |
| 8.3.1 | ACK DLLP Policy | 104 |
| 8.3.2 | UpdateFC DLLP Policy | 106 |
| 8.3.3 | Unidirectional DLLP Policies | 108 |
| 8.4 | Ingress Resources | 109 |
| 8.4.1 | Initial Credit Allocation | 110 |
| 8.4.2 | Dynamic Buffering | 111 |
| 8.4.3 | Ingress Credit Handler Threshold Registers (Offsets A00h through A38h) | 114 |
| 8.4.4 | Adjusting Initial Credit Values (Ingress Resources) | 115 |
| 8.4.5 | Credit Allocation When Common Pool Is Consumed | 116 |
| 8.4.6 | INCH Port Pool Registers (Offset 940h) | 118 |
| 8.4.7 | Wait for ACK – Avoiding Congestion | 118 |
| 8.5 | Latency | 119 |
| 8.5.1 | Host-Centric Latency | 120 |
| 8.5.2 | Peer-to-Peer Latency | 121 |
| 8.5.3 | Other Latency Measurements | 121 |
| 8.6 | Queuing Options | 122 |
| 8.6.1 | Destination Queuing | 123 |
| 8.6.2 | Source Queuing | 124 |
| 8.6.3 | Port Arbitration | 125 |
| 8.6.4 | Port Bandwidth Allocation | 125 |
| 8.7 | Read Pacing | 126 |
| 8.7.1 | Read Pacing Example | 127 |
| 8.7.2 | Read Spacing (Spreading) Logic | 129 |
| 8.7.3 | Read Threshold | 130 |
| 8.7.4 | Read Pacing Benefits | 130 |
| 8.7.5 | Enabling Read Pacing and Read Spreading | 131 |

| | | |
|-------------------|--|------------|
| 8.8 | Using the Dual Cast Feature | 132 |
| 8.8.1 | Introduction | 132 |
| 8.8.2 | Dual Cast System Model | 133 |
| 8.8.3 | Dual Cast Control Registers | 134 |
| 8.8.3.1 | Dual Cast Low BAR[0-7], Dual Cast High BAR[0-7] | 134 |
| 8.8.3.2 | Dual Cast Low BAR[0-7] Translation, Dual Cast High BAR[0-7] Translation | 135 |
| 8.8.3.3 | Dual Cast Low BAR[0-7] Setup, Dual Cast High BAR[0-7] Setup | 136 |
| 8.8.3.4 | Dual Cast Source Destination Port | 138 |
| 8.8.4 | Dual Cast Programming Example | 139 |
| 8.8.4.1 | Register Programming Steps | 139 |
| 8.8.5 | Dual Cast to a Non-Transparent Destination Port | 139 |
| 8.8.6 | Error Reporting of Failed Dual Cast Cycles | 139 |
| Chapter 9 | Interrupts | 141 |
| 9.1 | Interrupt Support | 141 |
| 9.1.1 | Interrupt Sources or Events | 142 |
| 9.1.2 | Interrupt Handling | 146 |
| 9.2 | INTx Emulation Support | 146 |
| 9.2.1 | INTx-Type Interrupt Message Re-Mapping and Collapsing | 147 |
| 9.3 | MSI Support | 148 |
| 9.3.1 | MSI Operation | 148 |
| 9.3.2 | MSI Capability Registers | 149 |
| 9.4 | PEX_INTA# Interrupts | 150 |
| 9.5 | General-Purpose Input/Output | 151 |
| Chapter 10 | Hot Plug Support | 153 |
| 10.1 | Introduction | 153 |
| 10.2 | Hot Plug Features | 154 |
| 10.3 | Hot Plug Elements | 155 |
| 10.4 | Hot Plug Signals | 156 |
| 10.4.1 | Hot Plug Port External Signals | 156 |
| 10.4.2 | Hot Plug Output States for Disabled Hot Plug Slots | 156 |
| 10.5 | Hot Plug Registers | 157 |
| 10.6 | Hot Plug Interrupts | 157 |
| 10.7 | Hot Plug Controller Slot Power-Up/Down Sequence | 158 |
| 10.7.1 | Slot Power-Up Sequence | 158 |
| 10.7.1.1 | Configuring Slot Power-Up Sequence Features with Serial EEPROM | 159 |
| 10.7.1.2 | Slot Power-Up Sequencing When Power Controller Present Bit Is Set | 160 |
| 10.7.1.3 | HP_PERST_x# (Reset) and HP_PWRLED_x# Output Power-Up Sequencing When Power Controller Present Bit Is Cleared | 163 |
| 10.7.1.4 | Disabling Power-Up Hot Plug Output Sequencing | 164 |
| 10.7.2 | Slot Power-Down Sequence | 164 |
| 10.8 | Serial Hot Plug Controller | 165 |
| 10.8.1 | Hot Plug Operations by way of I ² C I/O Expander | 166 |
| 10.8.2 | I ² C I/O Expander Parts Selection and Pin Definition | 166 |
| 10.8.3 | Serial Hot Plug Port Enumeration and Assignment | 168 |
| 10.9 | Hot Plug Board Insertion and Removal Process | 169 |

| | | |
|-------------------|---|------------|
| Chapter 11 | Power Management | 173 |
| | 11.1 Overview | 173 |
| | 11.2 Power Management Features | 174 |
| | 11.3 Power Management Capability | 175 |
| | 11.3.1 Device Power Management States | 175 |
| | 11.3.1.1 D0 Device Power Management State | 175 |
| | 11.3.1.2 D3hot Device Power Management State | 175 |
| | 11.3.2 Link Power Management States | 176 |
| | 11.3.3 PCI Express Power Management Support | 177 |
| | 11.4 Power Management Tracking | 187 |
| | 11.5 Power Management Event Handler | 188 |
| | | |
| Chapter 12 | Transparent Port Registers | 189 |
| | 12.1 Introduction | 189 |
| | 12.2 Type 1 Port Register Map | 190 |
| | 12.3 Port Register Configuration and Map | 193 |
| | 12.4 Register Access | 196 |
| | 12.4.1 <i>PCI r3.0</i> -Compatible Configuration Mechanism | 196 |
| | 12.4.2 PCI Express Enhanced Configuration Access Mechanism | 197 |
| | 12.4.3 Device-Specific Memory-Mapped Configuration Mechanism | 198 |
| | 12.5 Register Descriptions | 199 |
| | 12.6 PCI-Compatible Type 1 Configuration Header Registers (Offsets 00h – 3Ch) | 200 |
| | 12.7 PCI Power Management Capability Registers (Offsets 40h – 44h) | 217 |
| | 12.8 MSI Capability Registers (Offsets 48h – 64h) | 220 |
| | 12.9 PCI Express Capability Registers (Offsets 68h – A0h) | 227 |
| | 12.10 Subsystem ID and Subsystem Vendor ID Capability Registers (Offsets A4h – FCh) | 250 |
| | 12.11 Device Serial Number Extended Capability Registers (Offsets 100h – 134h) | 251 |
| | 12.12 Power Budget Extended Capability Registers (Offsets 138h – 144h) | 253 |
| | 12.13 Virtual Channel Extended Capability Registers (Offsets 148h – 1BCh) | 256 |
| | 12.13.1 Port Arbitration Table Registers (Offsets 1A8h – 1BCh) | 262 |
| | 12.14 Device-Specific Registers (Offsets 1C0h – 51Ch) | 267 |
| | 12.14.1 Device-Specific Registers – Error Checking and Debug (Offsets 1C0h – 1FCh) | 268 |
| | 12.14.2 Device-Specific Registers – Physical Layer (Offsets 200h – 25Ch) | 297 |
| | 12.14.3 Device-Specific Registers – Serial EEPROM (Offsets 260h – 26Ch) | 340 |
| | 12.14.4 Device-Specific Registers – Physical Layer (Offsets 270h – 28Ch) | 347 |
| | 12.14.5 Device-Specific Registers – I ² C Slave Interface (Offsets 290h – 2C4h) | 352 |
| | 12.14.6 Device-Specific Registers – Bus Number CAM (Offsets 2C8h – 304h) | 353 |

- 12.14.7 Device-Specific Registers – I/O CAM
(Offsets 308h – 344h) 357
- 12.14.8 Device-Specific Registers – Address-Mapping CAM
(Offsets 348h – 444h) 362
- 12.14.9 Device-Specific Registers – Vendor-Specific Dual Cast
Extended Capability (Offsets 448h – 51Ch) 378
- 12.15 ACS Extended Capability Registers
(Offsets 520h – 528h) 399
- 12.16 Device-Specific Registers
(Offsets 54Ch – F8Ch) 404
 - 12.16.1 Device-Specific Registers – Port Configuration
(Offsets 574h – 628h) 406
 - 12.16.2 Device-Specific Registers – General-Purpose Input/Output
(Offsets 62Ch – 65Ch) 408
 - 12.16.3 Device-Specific Registers – Ingress Control and Port Enable
(Offsets 660h – 67Ch) 429
 - 12.16.4 Device-Specific Registers – IOCAM Base and Limit
Upper 16 Bits (Offsets 680h – 6BCh) 438
 - 12.16.5 Device-Specific Registers – Base Address Shadow
(Offsets 6C0h – 73Ch) 441
 - 12.16.6 Device-Specific Registers – Virtual Channel Resource
Control Shadow (Offsets 740h – 83Ch) 449
 - 12.16.7 Device-Specific Registers – Ingress Credit Handler Port Pool
(Offsets 940h – 94Ch) 457
 - 12.16.8 Device-Specific Registers – Vendor-Specific Extended
Capability 2 (Offsets 950h – 95Ch) 461
 - 12.16.9 Device-Specific Registers – ACS Extended Capability
(Offsets 980h – 9FCh) 463
 - 12.16.10 Device-Specific Registers – Ingress Credit Handler Threshold
(Offsets A00h – B7Ch) 492
 - 12.16.11 Device-Specific Registers – SerDes Support
(Offsets B80h – BFCh) 498
 - 12.16.12 Device-Specific Registers – Port Configuration Header
(Offsets E00h – E3Ch) 520
 - 12.16.13 Device-Specific Registers – Source Queue Weight
and Soft Error (Offsets F00h – F30h) 542
 - 12.16.14 Device-Specific Registers – Read Pacing
(Offsets F34h – F3Ch) 545
 - 12.16.15 Device-Specific Registers – Error Reporting
(Offsets F40h – F4Ch) 550
 - 12.16.16 Device-Specific Registers – ARI Capability
(Offsets F50h – F8Ch) 554
- 12.17 Advanced Error Reporting Extended
Capability Registers (Offsets FB4h – FDCh) 559

Chapter 13 Non-Transparent Bridging – NT Mode Only 567

- 13.1 Introduction 567
 - 13.1.1 Device Type Identification 568
 - 13.1.2 NT Port Features 568
 - 13.1.3 Intelligent Adapter Mode 569
 - 13.1.4 NT Port Reset 570
 - 13.1.4.1 Fundamental Reset (PEX_PERST#) 570
 - 13.1.4.2 Intelligent Adapter Mode NT Port Reset 570

| | | |
|-------------------|---|------------|
| 13.1.5 | NT Port Memory-Mapped Base Address Registers | 570 |
| 13.1.6 | Doorbell Registers | 572 |
| 13.1.7 | Scratchpad Registers | 573 |
| 13.1.8 | NT Base Address Registers | 573 |
| 13.1.8.1 | NT BARx Setup Registers | 573 |
| 13.1.9 | Address Translation | 575 |
| 13.1.9.1 | Direct Address Translation | 576 |
| 13.2 | Requester ID Translation | 578 |
| 13.2.1 | Transaction Sequence | 579 |
| 13.2.2 | Transaction Originating in Local Host Domain | 580 |
| 13.2.3 | Transaction Originating in System Host Domain | 582 |
| 13.3 | NT Port Power Management Handling | 584 |
| 13.3.1 | Active State Power Management | 584 |
| 13.3.2 | PCI-PM and PME Turn Off Support | 584 |
| 13.3.3 | Message Generation | 584 |
| 13.4 | Expansion ROM | 584 |
| 13.5 | NT Port Interrupts | 585 |
| 13.5.1 | NT Port Virtual Interface Interrupts | 585 |
| 13.5.2 | NT Port Link Interface Interrupts | 586 |
| 13.6 | NT Port Error Handling | 587 |
| 13.7 | Cursor Mechanism | 588 |
| 13.8 | Port Programmability | 588 |
| Chapter 14 | NT Port Virtual Interface Registers – NT Mode Only | 589 |
| 14.1 | Introduction | 589 |
| 14.2 | NT Port Virtual Interface Type 0 Register Map | 590 |
| 14.3 | Register Access | 592 |
| 14.3.1 | PCI Express Base r2.0 Configuration Mechanism | 592 |
| 14.3.1.1 | PCI r3.0-Compatible Configuration Mechanism | 592 |
| 14.3.1.2 | PCI Express Enhanced Configuration Access Mechanism | 593 |
| 14.3.2 | Device-Specific Memory-Mapped Configuration Mechanism | 594 |
| 14.3.3 | Device-Specific Cursor Mechanism | 595 |
| 14.4 | Register Descriptions | 595 |
| 14.5 | NT Port Virtual Interface PCI-Compatible Type 0 Configuration Header Registers (Offsets 00h – 3Ch) | 596 |
| 14.6 | NT Port Virtual Interface PCI Power Management Capability Registers (Offsets 40h – 44h) | 606 |
| 14.7 | NT Port Virtual Interface MSI Capability Registers (Offsets 48h – 64h) | 609 |
| 14.8 | NT Port Virtual Interface PCI Express Capability Registers (Offsets 68h – A0h) | 613 |
| 14.9 | NT Port Virtual Interface Subsystem ID and Subsystem Vendor ID Capability Registers (Offsets A4h – C4h) | 623 |
| 14.10 | NT Port Virtual Interface Vendor-Specific Capability 3 Registers (Offsets C8h – FCh) | 624 |
| 14.11 | NT Port Virtual Interface Device Serial Number Extended Capability Registers (Offsets 100h – 134h) | 631 |
| 14.12 | NT Port Virtual Interface Virtual Channel Extended Capability Registers (Offsets 148h – 1A4h) | 632 |
| 14.13 | NT Port Virtual Interface Port Arbitration Table Registers (Offsets 1A8h – 1BCh) | 636 |

- 14.14 NT Port Virtual Interface Device-Specific Registers (Offsets 1C0h – C88h) 641
 - 14.14.1 NT Port Virtual Interface Device-Specific Registers – Error Checking and Debug (Offsets 1C0h – 1FCh) 644
 - 14.14.2 NT Port Virtual Interface Device-Specific Registers – Ingress Control and Port Enable (Offsets 660h – 67Ch) 647
 - 14.14.3 NT Port Virtual Interface Device-Specific Registers – Vendor-Specific Extended Capability 2 (Offsets 950h – 95Ch) 649
 - 14.14.4 NT Port Virtual Interface Device-Specific Registers – Vendor-Specific Extended Capability 4 (Offsets C34h – C88h) 650
- 14.15 NT Port Virtual Interface NT Bridging-Specific Registers (Offsets C8Ch – F30h) 659
 - 14.15.1 NT Port Virtual Interface NT Bridging-Specific Registers – Base Address and Base Address Setup (Offsets D68h – D90h) 660
 - 14.15.2 NT Port Virtual Interface NT Bridging-Specific Registers – Requester ID Translation Lookup Table Entry (Addresses D94h – DB0h) 671
- 14.16 NT Port Virtual Interface Device-Specific Registers (Offsets F34h – F8Ch) 673
 - 14.16.1 NT Port Virtual Interface Device-Specific Registers – ARI Capability (Offsets F50h – F8Ch) 674
- 14.17 NT Port Virtual Interface Advanced Error Reporting Extended Capability Registers (Offsets FB4h – FDCh) 679
- 14.18 NT Port Virtual Interface Device-Specific Registers – Link Error (Offsets FE0h – FFCh) 685

Chapter 15 NT Port Link Interface Registers – NT Mode Only 687

- 15.1 Introduction 687
- 15.2 NT Port Link Interface Type 0 Register Map 688
- 15.3 Register Access 690
 - 15.3.1 *PCI Express Base r2.0* Configuration Mechanism 690
 - 15.3.1.1 *PCI r3.0*-Compatible Configuration Mechanism 690
 - 15.3.1.2 *PCI Express Enhanced Configuration Access Mechanism* 690
 - 15.3.2 Device-Specific Memory-Mapped Configuration Mechanism 692
 - 15.3.3 Device-Specific Cursor Mechanism 693
- 15.4 Register Descriptions 693
- 15.5 NT Port Link Interface PCI-Compatible Type 0 Configuration Header Registers (Offsets 00h – 3Ch) 694
- 15.6 NT Port Link Interface PCI Power Management Capability Registers (Offsets 40h – 44h) 704
- 15.7 NT Port Link Interface MSI Capability Registers (Offsets 48h – 64h) 707
- 15.8 NT Port Link Interface PCI Express Capability Registers (Offsets 68h – A0h) 711
- 15.9 NT Port Link Interface Subsystem ID and Subsystem Vendor ID Capability Registers (Offsets A4h – C4h) 721
- 15.10 NT Port Link Interface Vendor-Specific Capability 3 Registers (Offsets C8h – FCh) 722
- 15.11 NT Port Link Interface Device Serial Number Extended Capability Registers (Offsets 100h – 134h) 728
- 15.12 NT Port Link Interface Power Budget Extended Capability Registers (Offsets 138h – 144h) 728

| | | |
|-------------------|--|------------|
| 15.13 | NT Port Link Interface Virtual Channel Extended Capability Registers (Offsets 148h – 1A4h) | 729 |
| 15.14 | NT Port Link Interface Device-Specific Registers (Offsets 1C0h – C88h) | 732 |
| 15.14.1 | NT Port Link Interface Device-Specific Registers – Error Checking and Debug (Offsets 1C0h – 1FCh) | 733 |
| 15.14.2 | NT Port Link Interface Device-Specific Registers – Ingress Control and Port Enable (Offsets 660h – 67Ch) | 736 |
| 15.14.3 | NT Port Link Interface Device-Specific Registers – Vendor-Specific Extended Capability 2 (Offsets 950h – 95Ch) | 737 |
| 15.14.4 | NT Port Link Interface Device-Specific Registers – Vendor-Specific Extended Capability 4 (Offsets C34h – C88h) | 738 |
| 15.15 | NT Port Link Interface NT Bridging-Specific Registers (Offsets C8Ch – EFCh) | 740 |
| 15.15.1 | NT Port Link Interface NT Bridging-Specific Registers – Requester ID Translation Lookup Table Entry (Addresses DB4h – DF0h) . . . | 740 |
| 15.16 | NT Port Link Interface Device-Specific Registers – Source Queue Weight (Offsets F00h – F30h) | 742 |
| 15.17 | NT Port Link Interface Advanced Error Reporting Extended Capability Registers (Offsets FB4h – FDCh) | 743 |
| Chapter 16 | Test and Debug | 745 |
| 16.1 | Introduction | 745 |
| 16.2 | Physical Layer Loopback Operation | 746 |
| 16.2.1 | Overview | 746 |
| 16.2.2 | Analog Loopback Master Mode | 747 |
| 16.2.3 | Digital Loopback Master Mode | 749 |
| 16.2.4 | Analog Loopback Slave Mode | 750 |
| 16.2.5 | Digital Loopback Slave Mode | 750 |
| 16.3 | Using the SerDes Quad x Diagnostic Data Registers | 751 |
| 16.4 | Pseudo-Random and Bit-Pattern Generation | 752 |
| 16.5 | PHY Testability Features | 754 |
| 16.6 | JTAG Interface | 756 |
| 16.6.1 | <i>IEEE 1149.1</i> and <i>IEEE 1149.6</i> Test Access Port | 756 |
| 16.6.2 | JTAG Instructions | 757 |
| 16.6.3 | JTAG Boundary Scan | 758 |
| 16.6.4 | JTAG Reset Input – JTAG_TRST# | 758 |
| 16.7 | Port Good Status LEDs | 759 |
| Chapter 17 | Electrical Specifications | 761 |
| 17.1 | Introduction | 761 |
| 17.2 | Power-Up/Power-Down Sequence | 761 |
| 17.3 | Absolute Maximum Ratings | 761 |
| 17.4 | Power Characteristics | 761 |
| 17.5 | Power Consumption Estimates | 762 |
| 17.6 | I/O Interface Signal Groupings | 763 |
| 17.7 | Transmit Drive Characteristics | 773 |
| 17.7.1 | Default Transmit Settings | 784 |
| 17.8 | Receive Characteristics | 785 |
| 17.8.1 | Receive Equalization | 785 |
| 17.8.2 | Receiver Electrical Idle | 786 |

- Chapter 18 Thermal and Mechanical Specifications787**
 - 18.1 Thermal Characteristics 787
 - 18.1.1 Sample Thermal Data 788
 - 18.2 General Package Specifications 790
 - 18.3 Mechanical Dimensions 791

- Appendix A General Information793**
 - A.1 Product Ordering Information 793
 - A.2 United States and International Representatives and Distributors 794
 - A.3 Technical Support 794

Registers

Transparent Port Registers

| | |
|---|------------|
| PCI-Compatible Type 1 Configuration | |
| Header Registers (Offsets 00h – 3Ch) | 200 |
| 12-1. 00h PCI Configuration ID | 200 |
| 12-2. 04h PCI Command/Status | 201 |
| 12-3. 08h PCI Class Code and Revision ID | 204 |
| 12-4. 0Ch Miscellaneous Control | 205 |
| 12-5. 10h Base Address 0 | 206 |
| 12-6. 14h Base Address 1 | 207 |
| 12-7. 18h Bus Number | 207 |
| 12-8. 1Ch Secondary Status, I/O Limit, and I/O Base | 208 |
| 12-9. 20h Memory Base and Limit | 210 |
| 12-10. 24h Prefetchable Memory Base and Limit | 211 |
| 12-11. 28h Prefetchable Memory Upper Base Address | 212 |
| 12-12. 2Ch Prefetchable Memory Upper Limit Address | 212 |
| 12-13. 30h I/O Upper Base and Limit Address | 213 |
| 12-14. 34h Capability Pointer | 213 |
| 12-15. 38h Expansion ROM Base Address | 213 |
| 12-16. 3Ch Bridge Control and PCI Interrupt Signal | 214 |
| PCI Power Management Capability Registers | |
| (Offsets 40h – 44h) | 217 |
| 12-17. 40h PCI Power Management Capability | 217 |
| 12-18. 44h PCI Power Management Status and Control | 218 |
| MSI Capability Registers | |
| (Offsets 48h – 64h) | 220 |
| 12-19. 48h MSI Capability | 221 |
| 12-20. 4Ch MSI Address | 222 |
| 12-21. 50h MSI Upper Address | 222 |
| 12-22. 54h MSI Data | 222 |
| 12-23. 58h MSI Mask | 223 |
| 12-24. 5Ch MSI Status | 225 |
| PCI Express Capability Registers | |
| (Offsets 68h – A0h) | 227 |
| 12-25. 68h PCI Express Capability List and Capability | 228 |
| 12-26. 6Ch Device Capability | 229 |
| 12-27. 70h Device Status and Control | 230 |
| 12-28. 74h Link Capability | 232 |
| 12-29. 78h Link Status and Control | 235 |
| 12-30. 7Ch Slot Capability | 238 |
| 12-31. 80h Slot Status and Control | 242 |
| 12-32. 8Ch Device Capability 2 | 248 |
| 12-33. 90h Device Status and Control 2 | 248 |
| 12-34. 98h Link Status and Control 2 | 249 |
| Subsystem ID and Subsystem Vendor ID | |
| Capability Registers (Offsets A4h – FCh) | 250 |
| 12-35. A4h Subsystem Capability | 250 |
| 12-36. A8h Subsystem ID and Subsystem Vendor ID | 250 |

| | |
|---|------------|
| Device Serial Number Extended Capability Registers | |
| (Offsets 100h – 134h) | 251 |
| 12-37. 100h Device Serial Number Extended Capability Header | 251 |
| 12-38. 104h Serial Number (Lower DW) | 252 |
| 12-39. 108h Serial Number (Upper DW) | 252 |
| Power Budget Extended Capability Registers | |
| (Offsets 138h – 144h) | 253 |
| 12-40. 138h Power Budget Extended Capability Header | 253 |
| 12-41. 13Ch Data Select | 254 |
| 12-42. 140h Power Budget Data | 254 |
| 12-43. 144h Power Budget Capability | 255 |
| Virtual Channel Extended Capability Registers | |
| (Offsets 148h – 1BCh) | 256 |
| 12-44. 148h Virtual Channel Extended Capability Header | 256 |
| 12-45. 14Ch Port VC Capability 1 | 257 |
| 12-46. 150h Port VC Capability 2 | 257 |
| 12-47. 154h Port VC Status and Control | 258 |
| 12-48. 158h VC0 Resource Capability | 259 |
| 12-49. 15Ch VC0 Resource Control | 260 |
| 12-50. 160h VC0 Resource Status | 261 |
| Port Arbitration Table Registers | |
| (Offsets 1A8h – 1BCh) | 262 |
| 12-51. 1A8h Port Arbitration Table Phases 0 to 7 | 263 |
| 12-52. 1ACh Port Arbitration Table Phases 8 to 15 | 264 |
| 12-53. 1B0h Port Arbitration Table Phases 16 to 23 | 265 |
| 12-54. 1B4h Port Arbitration Table Phases 24 to 31 | 266 |
| Device-Specific Registers | |
| (Offsets 1C0h – 51Ch) | 267 |
| Device-Specific Registers – Error Checking and Debug | |
| (Offsets 1C0h – 1FCh) | 268 |
| 12-55. 1C0h Device-Specific Error Status for Egress ECC Error | 269 |
| 12-56. 1C4h Device-Specific Error Mask for Egress ECC Error | 273 |
| 12-57. 1C8h ECC Error Check Disable | 277 |
| 12-58. 1CCh Error Handler 32-Bit Error Status | 279 |
| 12-59. 1D0h Error Handler 32-Bit Error Mask | 281 |
| 12-60. 1D8h Clock Enable | 283 |
| 12-61. 1DCh Debug Control | 285 |
| 12-62. 1E0h Power Management Hot Plug User Configuration | 291 |
| 12-63. 1E8h Bad TLP Counter | 294 |
| 12-64. 1ECh Bad DLLP Counter | 294 |
| 12-65. 1F4h Station 0/1 Lane Status | 295 |
| 12-66. 1F8h ACK Transmission Latency Limit | 296 |
| Device-Specific Registers – Physical Layer | |
| (Offsets 200h – 25Ch) | 297 |
| 12-67. 200h Physical Layer Receiver Detect Status and Electrical Idle for Compliance Mask | 299 |
| 12-68. 204h Electrical Idle Detect/Receiver Detect Mask | 305 |
| 12-69. 210h Physical Layer User Test Pattern, Bytes 0 through 3 | 309 |
| 12-70. 214h Physical Layer User Test Pattern, Bytes 4 through 7 | 309 |
| 12-71. 218h Physical Layer User Test Pattern, Bytes 8 through 11 | 310 |
| 12-72. 21Ch Physical Layer User Test Pattern, Bytes 12 through 15 | 310 |
| 12-73. 220h Physical Layer Command and Status | 311 |
| 12-74. 228h Physical Layer Test | 313 |

| | | | |
|---|------|--|------------|
| 12-75. | 230h | Physical Layer Port Command | 319 |
| 12-76. | 234h | SKIP Ordered-Set Interval and Port Control | 322 |
| 12-77. | 238h | SerDes Quad 0 Diagnostic Data | 326 |
| 12-78. | 23Ch | SerDes Quad 1 Diagnostic Data | 327 |
| 12-79. | 240h | SerDes Quad 2 Diagnostic Data | 328 |
| 12-80. | 244h | SerDes Quad 3 Diagnostic Data | 329 |
| 12-81. | 248h | Port Receiver Error Counter | 331 |
| 12-82. | 24Ch | Target Link Width | 332 |
| 12-83. | 254h | Physical Layer Additional Status | 334 |
| 12-84. | 258h | PRBS Control/Status | 336 |
| Device-Specific Registers – Serial EEPROM | | | |
| (Offsets 260h – 26Ch) | | | 340 |
| 12-85. | 260h | Serial EEPROM Status and Control | 341 |
| 12-86. | 264h | Serial EEPROM Buffer | 344 |
| 12-87. | 268h | Serial EEPROM Clock Frequency | 345 |
| 12-88. | 26Ch | Serial EEPROM 3 rd Address Byte | 346 |
| Device-Specific Registers – Physical Layer | | | |
| (Offsets 270h – 28Ch) | | | 347 |
| 12-89. | 270h | Station 2 Software Lane Status | 348 |
| 12-90. | 274h | Station 0/1 Lane Enable | 349 |
| 12-91. | 278h | Station 2 Lane Enable | 351 |
| Device-Specific Registers – I²C Slave Interface | | | |
| (Offsets 290h – 2C4h) | | | 352 |
| 12-92. | 294h | I ² C Configuration | 352 |
| Device-Specific Registers – Bus Number CAM | | | |
| (Offsets 2C8h – 304h) | | | 353 |
| 12-93. | 2C8h | BusNoCAM0 | 354 |
| 12-94. | 2CCh | BusNoCAM1 | 354 |
| 12-95. | 2D8h | BusNoCAM4 | 355 |
| 12-96. | 2DCh | BusNoCAM5 | 355 |
| 12-97. | 2E0h | BusNoCAM6 | 356 |
| 12-98. | 2E8h | BusNoCAM8 | 356 |
| 12-99. | 2ECh | BusNoCAM9 | 356 |
| Device-Specific Registers – I/O CAM | | | |
| (Offsets 308h – 344h) | | | 357 |
| 12-100. | 308h | IOCAM0 | 358 |
| 12-101. | 30Ah | IOCAM1 | 358 |
| 12-102. | 310h | IOCAM4 | 359 |
| 12-103. | 312h | IOCAM5 | 359 |
| 12-104. | 314h | IOCAM6 | 360 |
| 12-105. | 318h | IOCAM8 | 360 |
| 12-106. | 31Ah | IOCAM9 | 361 |
| Device-Specific Registers – Address-Mapping CAM | | | |
| (Offsets 348h – 444h) | | | 362 |
| 12-107. | 348h | AMCAM0 Memory Base and Limit | 364 |
| 12-108. | 34Ch | AMCAM0 Prefetchable Memory Base and Limit | 364 |
| 12-109. | 350h | AMCAM0 Prefetchable Memory Base Upper 32 Bits | 365 |
| 12-110. | 354h | AMCAM0 Prefetchable Memory Limit Upper 32 Bits | 365 |
| 12-111. | 358h | AMCAM1 Memory Base and Limit | 366 |
| 12-112. | 35Ch | AMCAM1 Prefetchable Memory Base and Limit | 366 |

| | | | |
|---------|------|--|-----|
| 12-113. | 360h | AMCAM1 Prefetchable Memory Base Upper 32 Bits | 367 |
| 12-114. | 364h | AMCAM1 Prefetchable Memory Limit Upper 32 Bits | 367 |
| 12-115. | 388h | AMCAM4 Memory Base and Limit | 368 |
| 12-116. | 38Ch | AMCAM4 Prefetchable Memory Base and Limit | 368 |
| 12-117. | 390h | AMCAM4 Prefetchable Memory Base Upper 32 Bits | 369 |
| 12-118. | 394h | AMCAM4 Prefetchable Memory Limit Upper 32 Bits | 369 |
| 12-119. | 398h | AMCAM5 Memory Base and Limit | 370 |
| 12-120. | 39Ch | AMCAM5 Prefetchable Memory Base and Limit | 370 |
| 12-121. | 3A0h | AMCAM5 Prefetchable Memory Base Upper 32 Bits | 371 |
| 12-122. | 3A4h | AMCAM5 Prefetchable Memory Limit Upper 32 Bits | 371 |
| 12-123. | 3A8h | AMCAM6 Memory Base and Limit | 372 |
| 12-124. | 3ACh | AMCAM6 Prefetchable Memory Base and Limit | 372 |
| 12-125. | 3B0h | AMCAM6 Prefetchable Memory Base Upper 32 Bits | 373 |
| 12-126. | 3B4h | AMCAM6 Prefetchable Memory Limit Upper 32 Bits | 373 |
| 12-127. | 3C8h | AMCAM8 Memory Base and Limit | 374 |
| 12-128. | 3CCh | AMCAM8 Prefetchable Memory Base and Limit | 374 |
| 12-129. | 3D0h | AMCAM8 Prefetchable Memory Base Upper 32 Bits | 375 |
| 12-130. | 3D4h | AMCAM8 Prefetchable Memory Limit Upper 32 Bits | 375 |
| 12-131. | 3D8h | AMCAM9 Memory Base and Limit | 376 |
| 12-132. | 3DCh | AMCAM9 Prefetchable Memory Base and Limit | 376 |
| 12-133. | 3E0h | AMCAM9 Prefetchable Memory Base Upper 32 Bits | 377 |
| 12-134. | 3E4h | AMCAM9 Prefetchable Memory Limit Upper 32 Bits | 377 |

Device-Specific Registers – Vendor-Specific Dual Cast

| | | | |
|--|------|--|------------|
| Extended Capability (Offsets 448h – 51Ch) | | | 378 |
| 12-135. | 448h | Vendor-Specific Extended Capability Header | 380 |
| 12-136. | 44Ch | Vendor-Specific Header 1 | 380 |
| 12-137. | 450h | Dual Cast Low BAR0 | 381 |
| 12-138. | 454h | Dual Cast High BAR0 | 381 |
| 12-139. | 458h | Dual Cast Low BAR0 Translation | 381 |
| 12-140. | 45Ch | Dual Cast High BAR0 Translation | 381 |
| 12-141. | 460h | Dual Cast Low BAR0 Setup | 382 |
| 12-142. | 464h | Dual Cast High BAR0 Setup | 382 |
| 12-143. | 468h | Dual Cast Low BAR1 | 383 |
| 12-144. | 46Ch | Dual Cast High BAR1 | 383 |
| 12-145. | 470h | Dual Cast Low BAR1 Translation | 383 |
| 12-146. | 474h | Dual Cast High BAR1 Translation | 383 |
| 12-147. | 478h | Dual Cast Low BAR1 Setup | 384 |
| 12-148. | 47Ch | Dual Cast High BAR1 Setup | 384 |
| 12-149. | 480h | Dual Cast Low BAR2 | 385 |
| 12-150. | 484h | Dual Cast High BAR2 | 385 |
| 12-151. | 488h | Dual Cast Low BAR2 Translation | 385 |
| 12-152. | 48Ch | Dual Cast High BAR2 Translation | 385 |
| 12-153. | 490h | Dual Cast Low BAR2 Setup | 386 |
| 12-154. | 494h | Dual Cast High BAR2 Setup | 386 |
| 12-155. | 498h | Dual Cast Low BAR3 | 387 |
| 12-156. | 49Ch | Dual Cast High BAR3 | 387 |
| 12-157. | 4A0h | Dual Cast Low BAR3 Translation | 387 |
| 12-158. | 4A4h | Dual Cast High BAR3 Translation | 387 |
| 12-159. | 4A8h | Dual Cast Low BAR3 Setup | 388 |
| 12-160. | 4ACh | Dual Cast High BAR3 Setup | 388 |
| 12-161. | 4B0h | Dual Cast Low BAR4 | 389 |
| 12-162. | 4B4h | Dual Cast High BAR4 | 389 |
| 12-163. | 4B8h | Dual Cast Low BAR4 Translation | 389 |
| 12-164. | 4BCh | Dual Cast High BAR4 Translation | 389 |
| 12-165. | 4C0h | Dual Cast Low BAR4 Setup | 390 |
| 12-166. | 4C4h | Dual Cast High BAR4 Setup | 390 |
| 12-167. | 4C8h | Dual Cast Low BAR5 | 391 |
| 12-168. | 4CCh | Dual Cast High BAR5 | 391 |

| | | | |
|--|------|--|------------|
| 12-169. | 4D0h | Dual Cast Low BAR5 Translation | 391 |
| 12-170. | 4D4h | Dual Cast High BAR5 Translation | 391 |
| 12-171. | 4D8h | Dual Cast Low BAR5 Setup | 392 |
| 12-172. | 4DCh | Dual Cast High BAR5 Setup | 392 |
| 12-173. | 4E0h | Dual Cast Low BAR6 | 393 |
| 12-174. | 4E4h | Dual Cast High BAR6 | 393 |
| 12-175. | 4E8h | Dual Cast Low BAR6 Translation | 393 |
| 12-176. | 4ECh | Dual Cast High BAR6 Translation | 393 |
| 12-177. | 4F0h | Dual Cast Low BAR6 Setup | 394 |
| 12-178. | 4F4h | Dual Cast High BAR6 Setup | 394 |
| 12-179. | 4F8h | Dual Cast Low BAR7 | 395 |
| 12-180. | 4FCh | Dual Cast High BAR7 | 395 |
| 12-181. | 500h | Dual Cast Low BAR7 Translation | 395 |
| 12-182. | 504h | Dual Cast High BAR7 Translation | 395 |
| 12-183. | 508h | Dual Cast Low BAR7 Setup | 396 |
| 12-184. | 50Ch | Dual Cast High BAR7 Setup | 396 |
| 12-185. | 510h | Dual Cast Source Destination Port | 397 |
| | | | |
| ACS Extended Capability Registers | | | |
| (Offsets 520h – 528h) | | | 399 |
| 12-186. | 520h | ACS Extended Capability Header | 399 |
| 12-187. | 524h | ACS Control and Capability | 400 |
| 12-188. | 528h | Egress Control Vector | 402 |
| | | | |
| Device-Specific Registers | | | |
| (Offsets 54Ch – F8Ch) | | | 404 |
| | | | |
| Device-Specific Registers – Port Configuration | | | |
| (Offsets 574h – 628h) | | | 406 |
| 12-189. | 574h | Port Configuration | 406 |
| | | | |
| Device-Specific Registers – General-Purpose Input/Output | | | |
| (Offsets 62Ch – 65Ch) | | | 408 |
| 12-190. | 62Ch | GPIO 0_9 Direction Control | 409 |
| 12-191. | 630h | GPIO 10_19 Direction Control | 414 |
| 12-192. | 638h | GPIO 0_19 Input De-Bounce | 419 |
| 12-193. | 63Ch | GPIO 0_11 Input Data | 422 |
| 12-194. | 640h | GPIO 12_19 Input Data | 424 |
| 12-195. | 644h | GPIO 0_11 Output Data | 425 |
| 12-196. | 648h | GPIO 12_19 Output Data | 426 |
| 12-197. | 64Ch | GPIO 0_19 Interrupt Polarity | 427 |
| 12-198. | 650h | GPIO 0_19 Interrupt Status | 427 |
| 12-199. | 654h | GPIO 0_19 Interrupt Mask | 427 |
| | | | |
| Device-Specific Registers – Ingress Control and Port Enable | | | |
| (Offsets 660h – 67Ch) | | | 429 |
| 12-200. | 660h | Ingress Control | 430 |
| 12-201. | 664h | Ingress Control Shadow | 431 |
| 12-202. | 668h | Port Enable Status | 433 |
| 12-203. | 66Ch | Negotiated Link Width for Ports 0, 1, 5, 6 | 435 |
| 12-204. | 670h | Negotiated Link Width for Ports 8, 9 | 436 |
| 12-205. | 674h | Port Cut-Thru Enable Status | 437 |

| | |
|---|------------|
| Device-Specific Registers – IOCAM Base and Limit | |
| Upper 16 Bits (Offsets 680h – 6BCh) | 438 |
| 12-206. 680h IOCAM UP 0 | 438 |
| 12-207. 684h IOCAM UP 1 | 438 |
| 12-208. 690h IOCAM UP 4 | 439 |
| 12-209. 694h IOCAM UP 5 | 439 |
| 12-210. 698h IOCAM UP 6 | 439 |
| 12-211. 6A0h IOCAM UP 8 | 440 |
| 12-212. 6A4h IOCAM UP 9 | 440 |
| Device-Specific Registers – Base Address Shadow | |
| (Offsets 6C0h – 73Ch) | 441 |
| 12-213. 6C0h BAR0 Shadow for Port 0 | 442 |
| 12-214. 6C4h BAR1 Shadow for Port 0 | 442 |
| 12-215. 6C8h BAR0 Shadow for Port 1 | 443 |
| 12-216. 6CCh BAR1 Shadow for Port 1 | 443 |
| 12-217. 6E0h BAR0 Shadow for Port 4 | 444 |
| 12-218. 6E4h BAR1 Shadow for Port 4 | 444 |
| 12-219. 6E8h BAR0 Shadow for Port 5 | 445 |
| 12-220. 6ECh BAR1 Shadow for Port 5 | 445 |
| 12-221. 6F0h BAR0 Shadow for Port 6 | 446 |
| 12-222. 6F4h BAR1 Shadow for Port 6 | 446 |
| 12-223. 700h BAR0 Shadow for Port 8 | 447 |
| 12-224. 704h BAR1 Shadow for Port 8 | 447 |
| 12-225. 708h BAR0 Shadow for Port 9 | 448 |
| 12-226. 70Ch BAR1 Shadow for Port 9 | 448 |
| Device-Specific Registers – Virtual Channel Resource | |
| Control Shadow (Offsets 740h – 83Ch) | 449 |
| 12-227. 740h Port 0 VC0 Resource Control | 450 |
| 12-228. 748h Port 1 VC0 Resource Control | 451 |
| 12-229. 760h Port 4 VC0 Resource Control | 452 |
| 12-230. 768h Port 5 VC0 Resource Control | 453 |
| 12-231. 770h Port 6 VC0 Resource Control | 454 |
| 12-232. 780h Port 8 VC0 Resource Control | 455 |
| 12-233. 788h Port 9 VC0 Resource Control | 456 |
| Device-Specific Registers – Ingress Credit Handler Port Pool | |
| (Offsets 940h – 94Ch) | 457 |
| 12-234. 940h INCH Port Pool Setting for Stations 0, 1, and 2 | 458 |
| Device-Specific Registers – Vendor-Specific Extended | |
| Capability 2 (Offsets 950h – 95Ch) | 461 |
| 12-235. 950h Vendor-Specific Extended Capability 2 | 461 |
| 12-236. 954h Vendor-Specific Header 2 | 461 |
| 12-237. 958h PLX Hardwired Configuration ID | 462 |
| 12-238. 95Ch PLX Hardwired Revision ID | 462 |
| Device-Specific Registers – ACS Extended Capability | |
| (Offsets 980h – 9FCh) | 463 |
| 12-239. 980h ACS Port 0 Control and Capability | 464 |
| 12-240. 984h ACS Port 0 Egress Control Vector | 467 |
| 12-241. 988h ACS Port 1 Control and Capability | 468 |
| 12-242. 98Ch ACS Port 1 Egress Control Vector | 471 |
| 12-243. 9A0h ACS Port 4 Control and Capability | 472 |
| 12-244. 9A4h ACS Port 4 Egress Control Vector | 475 |
| 12-245. 9A8h ACS Port 5 Control and Capability | 476 |
| 12-246. 9ACh ACS Port 5 Egress Control Vector | 479 |

| | | | |
|---|----------------------|--|------------|
| 12-247. | 9B0h | ACS Port 6 Control and Capability | 480 |
| 12-248. | 9B4h | ACS Port 6 Egress Control Vector | 483 |
| 12-249. | 9C0h | ACS Port 8 Control and Capability | 484 |
| 12-250. | 9C4h | ACS Port 8 Egress Control Vector | 487 |
| 12-251. | 9C8h | ACS Port 9 Control and Capability | 488 |
| 12-252. | 9CCh | ACS Port 9 Egress Control Vector | 491 |
| Device-Specific Registers – Ingress Credit Handler Threshold | | | |
| (Offsets A00h – B7Ch) | | | 492 |
| 12-253. | A00h, A18h, and A30h | INCH Threshold Station x Port x VC0 Posted | 493 |
| 12-254. | A04h, A1Ch, and A34h | INCH Threshold Station x Port x VC0 Non-Posted | 495 |
| 12-255. | A08h, A20h, and A38h | INCH Threshold Station x Port x VC0 Completion | 496 |
| Device-Specific Registers – SerDes Support | | | |
| (Offsets B80h – BFCh) | | | 498 |
| 12-256. | B80h | SerDes Control | 500 |
| 12-257. | B84h | SerDes Drive Level 0 | 501 |
| 12-258. | B88h | SerDes Drive Level 1 | 503 |
| 12-259. | B8Ch | SerDes Drive Level 2 | 505 |
| 12-260. | B90h | SerDes Drive Level 3 | 507 |
| 12-261. | B94h | Post-Cursor Emphasis Level 0 | 509 |
| 12-262. | B98h | Post-Cursor Emphasis Level 1 | 511 |
| 12-263. | B9Ch | Post-Cursor Emphasis Level 2 | 513 |
| 12-264. | BA0h | Post-Cursor Emphasis Level 3 | 515 |
| 12-265. | BA4h | Receiver Equalization Level 0 | 517 |
| 12-266. | BA8h | Receiver Equalization Level 1 | 518 |
| 12-267. | BACh | Signal Detect Level | 519 |
| Device-Specific Registers – Port Configuration Header | | | |
| (Offsets E00h – E3Ch) | | | 520 |
| 12-268. | E00h | PCI Command Port 0 | 521 |
| 12-269. | E02h | PCI Command Port 1 | 522 |
| 12-270. | E08h | PCI Command Port 4 | 523 |
| 12-271. | E0Ah | PCI Command Port 5 | 524 |
| 12-272. | E0Ch | PCI Command Port 6 | 525 |
| 12-273. | E10h | PCI Command Port 8 | 526 |
| 12-274. | E12h | PCI Command Port 9 | 527 |
| 12-275. | E20h | Bridge Control Port 0 | 528 |
| 12-276. | E22h | Bridge Control Port 1 | 530 |
| 12-277. | E28h | Bridge Control Port 4 | 532 |
| 12-278. | E2Ah | Bridge Control Port 5 | 534 |
| 12-279. | E2Ch | Bridge Control Port 6 | 536 |
| 12-280. | E30h | Bridge Control Port 8 | 538 |
| 12-281. | E32h | Bridge Control Port 9 | 540 |
| Device-Specific Registers – Source Queue Weight and Soft Error (Offsets F00h – F30h) | | | |
| | | | 542 |
| 12-282. | F10h | Port Egress TLP Threshold | 542 |
| 12-283. | F18h | Soft Error Counters 1 | 543 |
| 12-284. | F1Ch | Soft Error Counters 2 | 543 |
| 12-285. | F20h | Soft Error Counters 3 | 543 |
| 12-286. | F24h | Soft Error Counters 4 | 543 |
| 12-287. | F28h | Soft Error Counters 5 | 543 |
| 12-288. | F2Ch | Soft Error Counters 6 | 544 |
| 12-289. | F30h | Soft Error Injection | 544 |

| | |
|--|------------|
| Device-Specific Registers – Read Pacing | |
| (Offsets F34h – F3Ch) | 545 |
| 12-290. F34h Read Pacing Control | 546 |
| 12-291. F38h Read Pacing Threshold 1 | 547 |
| 12-292. F3Ch Read Pacing Threshold 2 | 548 |
| Device-Specific Registers – Error Reporting | |
| (Offsets F40h – F4Ch) | 550 |
| 12-293. F40h Error Reporting Enable for Ports 0, 1 | 551 |
| 12-294. F44h Error Reporting Enable for Ports 5, 6 | 552 |
| 12-295. F48h Error Reporting Enable for Ports 8, 9 | 553 |
| Device-Specific Registers – ARI Capability | |
| (Offsets F50h – F8Ch) | 554 |
| 12-296. F50h Device Capability and Control 2 for Port 0 | 555 |
| 12-297. F54h Device Capability and Control 2 for Port 1 | 555 |
| 12-298. F60h Device Capability and Control 2 for Port 4 | 556 |
| 12-299. F64h Device Capability and Control 2 for Port 5 | 556 |
| 12-300. F68h Device Capability and Control 2 for Port 6 | 557 |
| 12-301. F70h Device Capability and Control 2 for Port 8 | 557 |
| 12-302. F74h Device Capability and Control 2 for Port 9 | 558 |
| Advanced Error Reporting Extended | |
| Capability Registers (Offsets FB4h – FDCh) | 559 |
| 12-303. FB4h Advanced Error Reporting Extended Capability Header | 559 |
| 12-304. FB8h Uncorrectable Error Status | 560 |
| 12-305. FBCh Uncorrectable Error Mask | 561 |
| 12-306. FC0h Uncorrectable Error Severity | 562 |
| 12-307. FC4h Correctable Error Status | 563 |
| 12-308. FC8h Correctable Error Mask | 564 |
| 12-309. FCCh Advanced Error Capabilities and Control | 565 |
| 12-310. FD0h Header Log 0 | 566 |
| 12-311. FD4h Header Log 1 | 566 |
| 12-312. FD8h Header Log 2 | 566 |
| 12-313. FDCh Header Log 3 | 566 |

NT Port Virtual Interface Registers – NT Mode Only**NT Port Virtual Interface PCI-Compatible Type 0**

| | |
|---|------------|
| Configuration Header Registers (Offsets 00h – 3Ch) | 596 |
| 14-1. 00h PCI Configuration ID | 596 |
| 14-2. 04h PCI Command/Status | 597 |
| 14-3. 08h PCI Class Code and Revision ID | 600 |
| 14-4. 0Ch Miscellaneous Control | 600 |
| 14-5. 10h Base Address 0 | 601 |
| 14-6. 14h Base Address 1 | 601 |
| 14-7. 18h Base Address 2 | 602 |
| 14-8. 1Ch Base Address 3 | 602 |
| 14-9. 20h Base Address 4 | 603 |
| 14-10. 24h Base Address 5 | 603 |
| 14-11. 2Ch Subsystem ID and Subsystem Vendor ID | 604 |
| 14-12. 30h Expansion ROM Base Address | 604 |
| 14-13. 34h Capability Pointer | 605 |
| 14-14. 3Ch PCI Interrupt | 605 |

NT Port Virtual Interface PCI Power Management

| | |
|--|------------|
| Capability Registers (Offsets 40h – 44h) | 606 |
| 14-15. 40h PCI Power Management Capability | 606 |
| 14-16. 44h PCI Power Management Status and Control | 607 |

NT Port Virtual Interface MSI Capability Registers

| | |
|----------------------------|------------|
| (Offsets 48h – 64h) | 609 |
| 14-17. 58h MSI Mask | 610 |
| 14-18. 5Ch MSI Status | 611 |

NT Port Virtual Interface PCI Express Capability

| | |
|---|------------|
| Registers (Offsets 68h – A0h) | 613 |
| 14-19. 68h PCI Express Capability List and Capability | 614 |
| 14-20. 6Ch Device Capability | 615 |
| 14-21. 70h Device Status and Control | 616 |
| 14-22. 74h Link Capability | 618 |
| 14-23. 78h Link Status and Control | 620 |
| 14-24. 98h Link Status and Control 2 | 622 |

NT Port Virtual Interface Subsystem ID and Subsystem Vendor ID

| | |
|---|------------|
| Capability Registers (Offsets A4h – C4h) | 623 |
| 14-25. A4h Subsystem Capability | 623 |

NT Port Virtual Interface Vendor-Specific

| | |
|--|------------|
| Capability 3 Registers (Offsets C8h – FCh) | 624 |
| 14-26. C8h Vendor-Specific Capability 3 | 625 |
| 14-27. CCh Vendor-Specific Header 3 | 625 |
| 14-28. D0h NT Port Virtual Interface BAR0/1 Setup | 626 |
| 14-29. D4h NT Port Virtual Interface Memory BAR2 Setup | 626 |
| 14-30. D8h NT Port Virtual Interface Memory BAR2/3 Setup | 627 |
| 14-31. DCh NT Port Virtual Interface Memory BAR4 Setup | 628 |
| 14-32. E0h NT Port Virtual Interface Memory BAR4/5 Setup | 629 |
| 14-33. F8h Configuration Address Window | 630 |
| 14-34. FCh Configuration Data Window | 630 |

| | |
|--|------------|
| NT Port Virtual Interface Device Serial Number Extended Capability Registers (Offsets 100h – 134h) | 631 |
| NT Port Virtual Interface Virtual Channel Extended Capability Registers (Offsets 148h – 1A4h) | 632 |
| 14-35. 148h Virtual Channel Extended Capability Header | 632 |
| 14-36. 14Ch Port VC Capability 1 | 633 |
| 14-37. 158h VC0 Resource Capability | 633 |
| 14-38. 15Ch VC0 Resource Control | 634 |
| 14-39. 160h VC0 Resource Status | 635 |
| NT Port Virtual Interface Port Arbitration Table Registers (Offsets 1A8h – 1BCh) | 636 |
| 14-40. 1A8h Port Arbitration Table Phases 0 to 7 | 637 |
| 14-41. 1ACh Port Arbitration Table Phases 8 to 15 | 638 |
| 14-42. 1B0h Port Arbitration Table Phases 16 to 23 | 639 |
| 14-43. 1B4h Port Arbitration Table Phases 24 to 31 | 640 |
| NT Port Virtual Interface Device-Specific Registers (Offsets 1C0h – C88h) | 641 |
| NT Port Virtual Interface Device-Specific Registers – Error Checking and Debug (Offsets 1C0h – 1FCh) | 644 |
| 14-44. 1E0h Power Management Hot Plug User Configuration | 645 |
| 14-45. 1E8h Bad TLP Counter | 646 |
| 14-46. 1ECh Bad DLLP Counter | 646 |
| 14-47. 1F8h ACK Transmission Latency Limit | 646 |
| NT Port Virtual Interface Device-Specific Registers – Ingress Control and Port Enable (Offsets 660h – 67Ch) | 647 |
| 14-48. 660h Ingress Control | 647 |
| 14-49. 664h Ingress Control Shadow | 648 |
| NT Port Virtual Interface Device-Specific Registers – Vendor-Specific Extended Capability 2 (Offsets 950h – 95Ch) | 649 |
| 14-50. 950h Vendor-Specific Extended Capability 2 | 649 |
| NT Port Virtual Interface Device-Specific Registers – Vendor-Specific Extended Capability 4 (Offsets C34h – C88h) | 650 |
| 14-51. C34h Vendor-Specific Extended Capability 4 | 651 |
| 14-52. C38h Vendor-Specific Header 4 | 651 |
| 14-53. C3Ch Memory BAR2 Address Translation Lower | 652 |
| 14-54. C40h Memory BAR3 Address Translation Upper | 652 |
| 14-55. C44h Memory BAR4 Address Translation Lower | 652 |
| 14-56. C48h Memory BAR5 Address Translation Upper | 652 |
| 14-57. C4Ch Virtual Interface IRQ Set | 653 |
| 14-58. C50h Virtual Interface IRQ Clear | 653 |
| 14-59. C54h Virtual Interface IRQ Mask Set | 654 |
| 14-60. C58h Virtual Interface IRQ Mask Clear | 654 |
| 14-61. C5Ch Link Interface IRQ Set | 655 |
| 14-62. C60h Link Interface IRQ Clear | 655 |
| 14-63. C64h Link Interface IRQ Mask Set | 656 |
| 14-64. C68h Link Interface IRQ Mask Clear | 656 |
| 14-65. C6Ch NT Port SCRATCH0 | 657 |
| 14-66. C70h NT Port SCRATCH1 | 657 |
| 14-67. C74h NT Port SCRATCH2 | 657 |
| 14-68. C78h NT Port SCRATCH3 | 657 |
| 14-69. C7Ch NT Port SCRATCH4 | 657 |

| | |
|---|------------|
| 14-70. C80h NT Port SCRATCH5 | 658 |
| 14-71. C84h NT Port SCRATCH6 | 658 |
| 14-72. C88h NT Port SCRATCH7 | 658 |
| NT Port Virtual Interface NT Bridging-Specific Registers (Offsets C8Ch – F30h) | 659 |
| NT Port Virtual Interface NT Bridging-Specific Registers – Base Address and Base Address Setup (Offsets D68h – D90h) | 660 |
| 14-73. D68h BAR0 (Shadow Copy) | 661 |
| 14-74. D6Ch BAR1 (Shadow Copy) | 661 |
| 14-75. D70h BAR2 (Shadow Copy) | 662 |
| 14-76. D74h BAR3 (Shadow Copy) | 663 |
| 14-77. D78h BAR4 (Shadow Copy) | 664 |
| 14-78. D7Ch BAR5 (Shadow Copy) | 665 |
| 14-79. D80h BAR0/1 Setup (Shadow Copy) | 666 |
| 14-80. D84h Memory BAR2 Setup (Shadow Copy) | 667 |
| 14-81. D88h Memory BAR2/3 Setup (Shadow Copy) | 668 |
| 14-82. D8Ch Memory BAR4 Setup (Shadow Copy) | 669 |
| 14-83. D90h Memory BAR4/5 Setup (Shadow Copy) | 670 |
| NT Port Virtual Interface NT Bridging-Specific Registers – Requester ID Translation Lookup Table Entry (Addresses D94h – DB0h) | 671 |
| 14-84. D94h – DB0h NT Port Virtual Interface Requester ID Translation LUT Entry _{<i>n</i>} | 672 |
| NT Port Virtual Interface Device-Specific Registers (Offsets F34h – F8Ch) | 673 |
| NT Port Virtual Interface Device-Specific Registers – ARI Capability (Offsets F50h – F8Ch) | 674 |
| 14-85. F50h Device Capability and Control 2 for Port 0. | 675 |
| 14-86. F54h Device Capability and Control 2 for Port 1. | 675 |
| 14-87. F60h Device Capability and Control 2 for Port 4. | 676 |
| 14-88. F64h Device Capability and Control 2 for Port 5. | 676 |
| 14-89. F68h Device Capability and Control 2 for Port 6. | 677 |
| 14-90. F70h Device Capability and Control 2 for Port 8. | 677 |
| 14-91. F74h Device Capability and Control 2 for Port 9. | 678 |
| NT Port Virtual Interface Advanced Error Reporting Extended Capability Registers (Offsets FB4h – FDCh) | 679 |
| 14-92. FB4h Advanced Error Reporting Extended Capability Header | 679 |
| 14-93. FB8h Uncorrectable Error Status | 680 |
| 14-94. FBCh Uncorrectable Error Mask. | 681 |
| 14-95. FC0h Uncorrectable Error Severity. | 682 |
| 14-96. FC4h Correctable Error Status | 683 |
| 14-97. FC8h Correctable Error Mask. | 684 |
| NT Port Virtual Interface Device-Specific Registers – Link Error (Offsets FE0h – FFCh) | 685 |
| 14-98. FE0h Link Error Status Virtual | 686 |
| 14-99. FE4h Link Error Mask Virtual | 686 |

NT Port Link Interface Registers – NT Mode Only**NT Port Link Interface PCI-Compatible Type 0**

| | |
|---|------------|
| Configuration Header Registers (Offsets 00h – 3Ch) | 694 |
| 15-1. 00h PCI Configuration ID | 694 |
| 15-2. 04h PCI Command/Status | 695 |
| 15-3. 08h PCI Class Code and Revision ID | 697 |
| 15-4. 0Ch Miscellaneous Control | 698 |
| 15-5. 10h Base Address 0 | 699 |
| 15-6. 14h Base Address 1 | 699 |
| 15-7. 18h Base Address 2 | 700 |
| 15-8. 1Ch Base Address 3 | 700 |
| 15-9. 20h Base Address 4 | 701 |
| 15-10. 24h Base Address 5 | 701 |
| 15-11. 2Ch Subsystem ID and Subsystem Vendor ID | 702 |
| 15-12. 30h Expansion ROM Base Address | 702 |
| 15-13. 34h Capability Pointer | 703 |
| 15-14. 3Ch PCI Interrupt | 703 |

NT Port Link Interface PCI Power Management

| | |
|--|------------|
| Capability Registers (Offsets 40h – 44h) | 704 |
| 15-15. 40h PCI Power Management Capability | 704 |
| 15-16. 44h PCI Power Management Status and Control | 705 |

NT Port Link Interface MSI Capability Registers

| | |
|----------------------------|------------|
| (Offsets 48h – 64h) | 707 |
| 15-17. 48h MSI Capability | 708 |
| 15-18. 58h MSI Mask | 709 |
| 15-19. 5Ch MSI Status | 710 |

NT Port Link Interface PCI Express Capability

| | |
|---|------------|
| Registers (Offsets 68h – A0h) | 711 |
| 15-20. 68h PCI Express Capability List and Capability | 712 |
| 15-21. 6Ch Device Capability | 713 |
| 15-22. 70h Device Status and Control | 714 |
| 15-23. 74h Link Capability | 716 |
| 15-24. 78h Link Status and Control | 718 |
| 15-25. 98h Link Status and Control 2 | 720 |

NT Port Link Interface Subsystem ID and Subsystem Vendor ID

| | |
|---|------------|
| Capability Registers (Offsets A4h – C4h) | 721 |
| 15-26. A4h Subsystem Capability | 721 |

NT Port Link Interface Vendor-Specific Capability 3

| | |
|---|------------|
| Registers (Offsets C8h – FCh) | 722 |
| 15-27. C8h Vendor-Specific Capability 3 | 722 |
| 15-28. CCh Vendor-Specific Header 3 | 722 |
| 15-29. E4h NT Port Link Interface BAR0/1 Setup | 723 |
| 15-30. E8h NT Port Link Interface Memory BAR2 Setup | 723 |
| 15-31. ECh NT Port Link Interface Memory BAR2/3 Setup | 724 |
| 15-32. F0h NT Port Link Interface Memory BAR4 Setup | 725 |
| 15-33. F4h NT Port Link Interface Memory BAR4/5 Setup | 726 |
| 15-34. F8h Configuration Address Window | 727 |
| 15-35. FCh Configuration Data Window | 727 |

NT Port Link Interface Device Serial Number Extended

| | |
|---|------------|
| Capability Registers (Offsets 100h – 134h) | 728 |
|---|------------|

| | |
|--|------------|
| NT Port Link Interface Power Budget Extended Capability Registers (Offsets 138h – 144h) | 728 |
| NT Port Link Interface Virtual Channel Extended Capability Registers (Offsets 148h – 1A4h) | 729 |
| 15-36. 148h Virtual Channel Extended Capability Header | 729 |
| 15-37. 14Ch Port VC Capability 1 | 730 |
| 15-38. 158h VC0 Resource Capability | 730 |
| 15-39. 15Ch VC0 Resource Control | 731 |
| 15-40. 160h VC0 Resource Status | 731 |
| NT Port Link Interface Device-Specific Registers (Offsets 1C0h – C88h) | 732 |
| NT Port Link Interface Device-Specific Registers – Error Checking and Debug (Offsets 1C0h – 1FCh) | 733 |
| 15-41. 1C8h ECC Error Check Disable | 734 |
| 15-42. 1E0h Power Management Hot Plug User Configuration | 735 |
| 15-43. 1F8h ACK Transmission Latency Limit | 735 |
| NT Port Link Interface Device-Specific Registers – Ingress Control and Port Enable (Offsets 660h – 67Ch) | 736 |
| NT Port Link Interface Device-Specific Registers – Vendor-Specific Extended Capability 2 (Offsets 950h – 95Ch) | 737 |
| 15-44. 950h Vendor-Specific Extended Capability 2 | 737 |
| NT Port Link Interface Device-Specific Registers – Vendor-Specific Extended Capability 4 (Offsets C34h – C88h) | 738 |
| 15-45. C3Ch Memory BAR2 Address Translation Lower | 739 |
| 15-46. C40h Memory BAR3 Address Translation Upper | 739 |
| 15-47. C44h Memory BAR4 Address Translation Lower | 739 |
| 15-48. C48h Memory BAR5 Address Translation Upper | 739 |
| NT Port Link Interface NT Bridging-Specific Registers (Offsets C8Ch – EFCh) | 740 |
| NT Port Link Interface NT Bridging-Specific Registers – Requester ID Translation Lookup Table Entry (Addresses DB4h – DF0h) | 740 |
| 15-49. DB4h – DF0h NT Port Link Interface Requester ID Translation LUT Entry _{n_m} | 741 |
| NT Port Link Interface Device-Specific Registers – Source Queue Weight (Offsets F00h – F30h) | 742 |
| NT Port Link Interface Advanced Error Reporting Extended Capability Registers (Offsets FB4h – FDCh) | 743 |
| 15-50. FB4h Advanced Error Reporting Extended Capability Header | 743 |

THIS PAGE INTENTIONALLY LEFT BLANK.



Chapter 1 Introduction

1.1 Overview

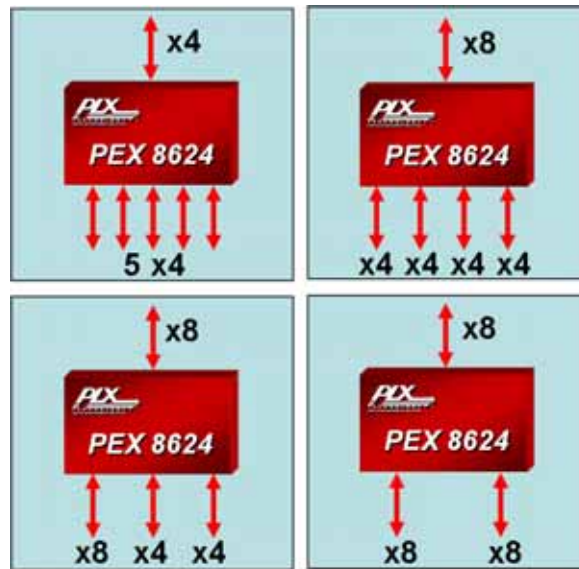
This data book describes PLX Technology's ExpressLane™ PEX 8624, a fully non-blocking, low-latency, low-cost, and low-power 24-Lane, 6-Port PCI Express Gen 2 switch. Conforming to the *PCI Express Base r2.0*, the PEX 8624 enables users to add high-bandwidth I/O to various products, including workstations, storage systems, communications platforms, embedded systems, and intelligent I/O modules. The PEX 8624's flexible hardware configuration and software programmability allows the switch to be tailored for a wide variety of application requirements.

The PEX 8624 is principally aimed at fan-in/out or aggregation applications; however, it is also well-suited for peer-to-peer communication traffic. The PEX 8624 supports multiple Port configuration options, to provide flexible solutions for optimal product design. *For example*, if using the PEX 8624 in a fan-out application (illustrated in [Figure 1-1](#)), configure the switch as:

- One x4 upstream Port and five x4 downstream Ports
- One x8 upstream Port and four x4 downstream Ports
- One x8 upstream Port, and one x8 and two x4 downstream Ports
- One x8 upstream Port and two x8 downstream Ports

or other combinations, up to the maximum number of Lanes (24) or Ports (6). The PEX 8624 can also support x1 and x2 Link widths, by auto-negotiating its Ports to the Link width of the PCI Express device with which it is interfacing.

Figure 1-1. Common Port Configurations



Note: The six PEX 8624 Ports that connect to PCI Express Transmitters and Receivers are Ports 0, 1, 5, 6, 8, and 9, and each Port has its own set of registers. An additional set of Port 4 registers is visible to software, although the Port is not connected to external signals. The Port 4 registers include:

- Other Device-Specific registers.
- “Station” registers, that control all Ports in Station 1 (Ports 5 and 6), and are identical to the Port 0 registers that control all Ports in Station 0 (Ports 0 and 1) and Port 8 registers that control all Ports in Station 2 (Ports 8 and 9). The Station registers include Physical Layer registers, Device-Specific Error registers, and internal mapping (CAM) registers.

1.2 Features

The PEX 8624 supports the following features:

- 6-Port PCI Express switch
 - 24 Lanes with integrated on-chip SerDes
 - Low-power SerDes (under 90 mW per Lane)
 - Fully Non-Blocking Switch architecture
 - Device-Specific Relaxed Ordering
 - Port configuration
 - 6 independent Ports
 - Choice of Link width (number of Lanes) per unique Link/Port – x4 or x8; Link widths of x1 and x2 are also supported
 - Configurable with serial EEPROM, I²C, or Host software
 - Designate any Port as the *upstream Port* (Port 0 is recommended)
- High Performance
 - 240 GT/s aggregate bandwidth (5.0 GT/s/Lane x 24 SerDes x 2 (full duplex))
 - Integrated 5.0 GT/s SerDes speed negotiation, for each Port
 - Non-blocking Crossbar Switch interface supports TLP bandwidth capacity of each x8 Link
 - Full line rate on all Ports
 - Cut-Thru packet latency of less than 160 ns between symmetric (x8 to x8)
 - Maximum Payload Size – 2,048 bytes
- *performancePAK*[™]
 - Read Pacing[™] (intelligent bandwidth allocation)
 - Dual Cast[™]
 - Dynamic Buffer Pool Architecture for faster credit updates
- *visionPAK*[™]
 - Performance Monitoring
 - Per-Port Payload and Header Counters
 - Per-traffic type (Write, Read, Completion) Counters
 - PCI Express Packet Generator
 - Capable of saturating a x8 Gen 2 Link
 - Error Injection and Pseudo-Random Bit Sequence (PRBS)
 - SerDes Loopback
 - SerDes Eye Capture
- Access Control Services (ACS) – Protection mechanisms for added data integrity in peer-to-peer transactions
- Alternative Routing-ID Interpretation (ARI) – Enables virtualized systems and/or highly integrated multi-function devices
- Quality of Service (QoS) support
 - All Ports support one, full-featured Virtual Channel (VC0)
 - All Ports support eight Traffic Class (TC[7:0]) mapping, independently of the other Ports
 - Round-Robin (RR) and Weighted Round-Robin (WRR) Port arbitration

- Non-Transparent Bridging
 - Program any one downstream Station 0 Port as the *Non-Transparent (NT) Port*
 - Enables Dual-Host, Dual-Fabric, Host-Failover applications
 - Moveable *upstream Port*
 - Cross-link Port capability
- Reliability, Availability, Serviceability (RAS) features
 - PCI Express Standard Hot Plug Controller for three Transparent downstream Ports, including optional usage models for Manually operated Retention Latch, by way of Manually operated Retention Latch (MRL) Sensor and Attention Button support
 - Serial Hot Plug, by way of I²C, for Hot Plug capability on all Transparent downstream Ports
 - End-to-end Cyclic Redundancy Check (ECRC) and Poison bit support
 - Data path protection
 - Memory (RAM) error correction
 - Electromechanical Interlock supported with Power Enable output
 - Baseline and Advanced Error Reporting capability
 - Port (Link) Status bits and GPIO available
 - Per-Port error diagnostics
 - Joint Test Action Group (JTAG) AC/DC boundary scan
- INTA# ([PEX_INTA#](#)) and FATAL ERROR ([FATAL_ERR#](#)) (Conventional PCI SERR# equivalent) ball support
- 20 General-Purpose Input/Output (GPIO) balls, which can be used for Link Status LEDs, GPIO, and/or Interrupt inputs
- Port Status balls ([PEX_PORT_GOOD\[9, 8, 6, 5, 1, 0\]#](#))
- Other PCI Express Capabilities
 - Lane reversal
 - Polarity reversal
 - Conventional PCI-compatible Link Power Management states – L0, L0s, L1, L2/L3 Ready, and L3 (with Vaux *not supported*)
 - Conventional PCI-compatible Device Power Management states – D0 and D3hot
 - Active State Power Management (ASPM)
 - Dynamic speed (2.5 or 5.0 GT/s) negotiation, for each Port
 - Dynamic Link width negotiation
- Out-of-Band Initialization options
 - Serial EEPROM
 - I²C (7-bit Slave address with 100 Kbps)
- Testability – JTAG support for DC
- 19 x 19 mm², 324-ball Flip-Chip Ball Grid Array (FCBGA) package with Heat Spreader
- Typical power – 2.62W

- Compliant to the following specifications:
 - *PCI Local Bus Specification, Revision 3.0 (PCI r3.0)*
 - *PCI Bus Power Management Interface Specification, Revision 1.2 (PCI Power Mgmt. r1.2)*
 - *PCI to PCI Bridge Architecture Specification, Revision 1.2 (PCI-to-PCI Bridge r1.2)*
 - *PCI Express Base Specification, Revision 1.1 (PCI Express Base r1.1)*
 - *PCI Express Base Specification, Revision 2.0 (PCI Express Base r2.0)*
 - *PCI Express Base Specification, Revision 2.0 Errata*
 - *PCI Express Card Electromechanical Specification, Revision 2.0 (PCI ExpressCard CEM r2.0)*
 - *PCI Express Mini Card Electromechanical Specification, Revision 1.1 (PCI ExpressCard Mini CEM r1.1)*
 - *IEEE Standard 1149.1-1990, IEEE Standard Test Access Port and Boundary-Scan Architecture (IEEE Standard 1149.1-1990)*
 - *IEEE Standard 1149.1a-1993, IEEE Standard Test Access Port and Boundary-Scan Architecture*
 - *IEEE Standard 1149.1-1994, Specifications for Vendor-Specific Extensions*
 - *IEEE Standard 1149.6-2003, IEEE Standard Test Access Port and Boundary-Scan Architecture Extensions (IEEE Standard 1149.6-2003)*
 - *The I²C-Bus Specification, Version 2.1 (I²C Bus v2.1)*

THIS PAGE INTENTIONALLY LEFT BLANK.



Chapter 2 Features and Applications

2.1 Flexible and Feature-Rich 24-Lane, 6-Port Switch

2.1.1 Highly Flexible Port Configurations

The PLX ExpressLane PEX 8624 PCI Express Gen 2 Switch offers highly configurable Ports. A maximum of 6 Ports (two per Station, three Stations total) can be configured to x1, x2, x4, or x8 Link widths, in any combination, to support specific bandwidth needs. The Ports can be symmetric (each Port has the same Link width) or asymmetric (the Ports have different Link widths). Any one Port can be designated as, or dynamically changed to be, the upstream Port (Port 0 is recommended).

The PEX 8624 supports a large number of Port configurations. *For example*, the PEX 8624 can be used in a fan-out application, with Link widths of x1, x2, x4, or x8, where any Port can be designated as the upstream Port and the remaining available Lanes are divided among five downstream Ports, of varying Link widths.

The PEX 8624 architecture allows for the combining of smaller Ports, to create larger Ports. *For example*, two x4 Ports can be combined to create a x8 Port. Furthermore, the PEX 8624 supports auto-negotiation, which allows the switch to train down to smaller Link widths (x4, x2, or x1). Link widths can be individually configured from each Port through auto-negotiation, hardware strapping, an optional serial EEPROM, and/or the I²C Slave interface.

2.1.2 Non-Blocking Crossbar Switch Architecture

The Non-Blocking Crossbar Switch architecture is an on-chip interconnect switching fabric, which is built upon the existing PLX Switch Fabric Architecture technology. In addition to addressing simultaneous multiple flows, the Crossbar Switch architecture incorporates functions required to support an efficient PCI Express switch fabric, including:

- Deadlock avoidance
- Priority preemption
- PCI Express Ordering rules
- Packet fair queuing
- Oldest first scheduling

The Crossbar Switch interconnect physical topology is that of a packet-based Crossbar Switch fabric (internal fabric) designed to simultaneously connect multiple on-chip Stations. The Crossbar Switch protocol is sufficiently flexible and robust to support a variety of embedded system requirements. The protocol is specifically designed to ease chip integration, by strongly enforcing Station boundaries and standardizing communication between Stations. The Crossbar Switch architecture basic features include:

- Multiple concurrent Data transfers
- Global ordering within the PEX 8624
- Three types of transactions – Posted, Non-Posted, and Completion (P, NP, and Cpl, respectively) – meet PCI and PCI Express Ordering and Deadlock Avoidance rules
- Optional weighting of source Ports, to support Source Port arbitration

2.1.3 Low Packet Latency and High Performance

The PEX 8624 architecture supports packet Cut-Thru with a latency of less than 160 ns between symmetric (x8 to x8) ingress and egress Ports. This, combined with large Packet memory, support for larger packet payloads (programmable 128- to 2,048-byte **Maximum Payload Size**), and Non-Blocking Internal Switch architecture, allows high Transaction Layer Packet (TLP) throughput on each Link for performance-hungry applications, *such as* storage servers or storage switch fabrics.

2.1.3.1 Data Payloads

The Data Payloads are variable length with a maximum of 2,048 bytes, as defined by the *Maximum Payload Size* field (available sizes are 128, 256, 512, 1,024, and 2,048, depending upon the quantity of enabled Ports). Read Requests **do not** include a Data Payload.

*Note: Refer to the **Device Control** register **Maximum Payload Size** field (offset 70h[7:5]) for Maximum Payload Size Port limitations.*

2.1.3.2 Cut-Thru Mode

Cut-Thru mode can reduce latency, especially for longer packets, because the entire packet does not need to be stored before being forwarded. Instead, after the Header is decoded, the packet can be immediately forwarded. The PEX 8624 is designed to cut through TLPs, to and from every Port. By default, all Ports are enabled for Cut-Thru. Cut-Thru mode can be disabled for all Ports, by Clearing the **Debug Control** register *Cut-Thru Enable* bit (Port 0, and also NT Port Virtual Interface if Port 0 is the NT Port, offset 1DCh[21]).

Cut-Thru mode, if enabled, is supported for the PEX 8624's NT Port Link Interface, if the PEX 8624 is configured for NT mode.

*Note: The **Debug Control** register *Cut-Thru Enable* bit affects the entire switch. If Cut-Thru is enabled, all Ports use Cut-Thru. If Cut-Thru is **not** enabled, no Ports use Cut-Thru.*

Caution: One of the drawbacks to using Cut-Thru mode is that the TLP is not known to be good until the last byte. If the TLP proves to be bad, the Cut-Thru packet must be discarded. If the TLP has already been forwarded to another device, that TLP will be framed with an EDB (End Data Bad), as opposed to the standard END.

2.1.4 Virtual Channel and Traffic Classes

The PEX 8624 supports one Virtual Channel (VC0) and eight Traffic Classes (TC[7:0]). VC0 and TC0 are required by the *PCI Express Base r2.0*, and configured at device start-up.

2.1.5 End-to-End Packet Integrity

To enable designs that require **guaranteed error-free packets**, the PEX 8624 provides **End-to-end Cyclic Redundancy Check (ECRC)** protection and **Poison** bit support, as well as **Error-Correcting Code (ECC)** protection on the internal data paths and memory (RAM). ECC maintains packet integrity through the PEX 8624, by providing automatic correction of any 1-bit errors. These features are optional in the *PCI Express Base r2.0*; however, PLX provides them across its entire ExpressLane PCI Express Gen 2 switch product line.

2.1.6 Configuration Flexibility

The PEX 8624 provides several ways to configure its operations. *For example*, the PEX 8624 can be configured through Strapping inputs, CPU Configuration Requests, an optional serial EEPROM, or the I²C Slave interface. Additionally, the I²C Slave interface allows for easy debug during the Development phase, performance monitoring during the Operation phase, and driver or software upgrade.

2.1.7 Interoperability

The PEX 8624 is designed to be fully compliant with the *PCI Express Base r2.0*, and is backward-compatible to the *PCI Express Base r1.1* and *PCI Express Base r1.0a*. Additionally, the switch supports **auto-negotiation**, **Lane reversal**, and **polarity reversal**, for maximum board design and board layout flexibility. Furthermore, the PEX 8624 is designed to be interoperable with many popular motherboards and server boards with PCI Express connections, and PCI Express endpoints (Ethernet, RAID Controllers), as well as PLX's family of PCI Express switches and bridges. All PLX ExpressLane devices undergo thorough interoperability testing at PLX's **Interoperability Lab** and compliance testing at the **PCI-SIG Compliance Workshop**, to ensure compatibility with PCI Express devices in the market.

2.1.8 Low Power with Granular SerDes Control

The PEX 8624 provides **low-power** capability that is fully compliant with the *PCI Express Base r2.0* and *PCI Power Mgmt. r1.2* Power Management (PM) specifications. Unused SerDes can be automatically powered down, to further reduce power consumption.

The PEX 8624 supports **SerDes output software control**, to allow power and signal strength optimization within a system. The PLX SerDes implementation supports four power levels – *Off*, *Low*, *Typical*, and *High*. The SerDes block also supports **Loopback modes** and **Advanced Error Reporting**, which enables efficient system debug and management.

2.1.9 Dynamic Lane Reversal

The PEX 8624 supports dynamic Lane reversal during the Link training process. Lane reversal capability allows flexibility in determining board routing, so that PCI Express components can be connected without having to crisscross wires. If the wiring of Lanes to a device is reversed (on both Transmitters and Receivers), only one of the two connected devices must support Lane reversal.

Either of the outside Lanes (Transmitter and Receiver pairs) of the PEX 8624 programmed Link width must be identified as being Lane 0. During Link training, both devices on the Link negotiate the Lane numbering. During the Link Training and Status State Machine (LTSSM)'s *Configuration* state, the upstream device sends TS1 Ordered-Sets, in which each connected Lane is identified by a consecutive Lane Number, starting with Lane 0 corresponding to the physical Lane Number of the Port.

The Port reverses its Lane Numbers and attempts to re-train when any of the following conditions occur:

- No Receiver is detected on preferred Lane 0
- No valid Training Sets are received on preferred Lane 0 during the LTSSM's *Polling* state
- TS1 with a non-zero Lane Number Port is received on the Port's Lane 0

To confirm successful Lane Number negotiation, both devices exchange TS2 Ordered-Sets with identical Lane Numbers on each connected Lane.

2.1.10 ***performancePAK***

Exclusive to PLX, *performancePAK* is a suite of unique and innovative performance features that enable PLX's Gen 2 switches to be the highest-performing Gen 2 switches available in the market today. The *performancePAK* features consist of Read Pacing, Dual Cast, and Dynamic Buffer Pool.

2.1.10.1 **Read Pacing**

The Read Pacing feature allows users to throttle the number of Read Requests being made by downstream devices. When a downstream device requests several long Reads back-to-back, the Root Complex services the Read Requests from this downstream Port in a sequential order. If this Port has a narrow Link and is therefore slow in receiving these Read packets from the Root Complex, other downstream Ports may become starved, thus negatively impacting performance. This feature enhances performance by allowing for the adequate servicing of all downstream devices, by intelligent handling of Read Requests.

For further details, refer to [Section 8.7, "Read Pacing."](#)

2.1.10.2 **Dual Cast**

The Dual Cast feature allows for the copying of data (packets) from one ingress Port to two egress Ports, in a single transaction, allowing for higher performance in storage, security, and mirroring applications. The feature relieves the CPU from having to conduct two separate transactions, resulting in higher system performance.

For further details, refer to [Section 8.8, "Using the Dual Cast Feature."](#)

2.1.10.3 **Dynamic Buffer Pool**

The PEX 8624 uses a dynamic buffer pool for FC management, which uses a common pool of FC Credits that is shared among other Ports within a Station. This shared buffer pool is user-programmable, so FC credits can be allocated among the enabled Ports, as needed. Not only does this prevent wasted buffers and inappropriate buffer assignments, any un-allocated buffers remain in the common buffer pool, which can then be used by other Ports within the same Station, for faster FC credit updates.

For further details, refer to [Section 8.4.2, "Dynamic Buffering."](#)

2.1.11 visionPAK

Another PLX exclusive, *visionPAK* is a debug diagnostics suite of integrated hardware and software instruments that users can use to help bring their systems to market faster. *visionPAK* features consist of Performance Monitoring, Error Injection, SerDes Loopback, SerDes Eye Capture, and more.

2.1.11.1 Performance Monitoring

The PEX 8624's real-time performance monitoring allows users to literally “see” ingress and egress performance on each Port as traffic passes through the switch, using PLX's Software Development Kit (SDK). The monitoring is completely passive, and therefore, has no effect on overall system performance. Internal Counters provide extensive granularity down to traffic and packet type, and even allow for the filtering of traffic (*that is*, count only Memory Writes).

2.1.11.2 Error Injection

Using the PEX 8624's Error Injection feature, users can inject malformed packets and/or Fatal errors into their system, then evaluate the system's ability to detect and recover from such errors.

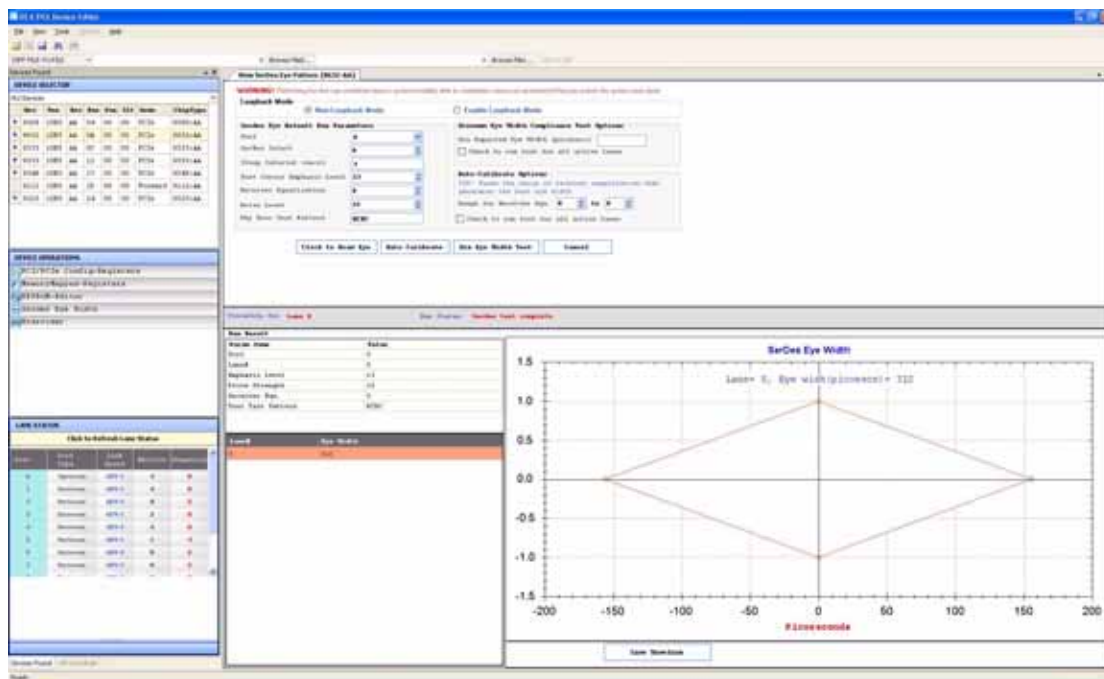
2.1.11.3 SerDes Loopback

The PEX 8624 supports External Tx, Recovered Clock, and Recovered Data Loopback modes.

2.1.11.4 SerDes Eye Capture

Users can evaluate their system's signal integrity at the Physical Layer (PHY), using the PEX 8624's SerDes Eye Capture feature. Using PLX's SDK, users can view the Receiver eye width of any Lane on the PEX 8624. Users can then modify SerDes Settings and see the impact on the Receiver eye. [Figure 2-1](#) presents a screenshot of the SDK's SerDes Eye Capture feature.

Figure 2-1. PLX SDK SerDes Eye Capture Feature



2.1.12 Hot Plug for High Availability

Hot Plug capability allows users to replace hardware modules and perform maintenance, without having to power down the system. The PEX 8624 Hot Plug Capability and Advanced Error Reporting features make the switch suitable for High-Availability (HA) applications. The PEX 8624 automatically manages Hot Plug events on its Transparent downstream Ports/slots. Additionally, the upstream Port and NT Port Link Interface are fully compliant Hot Plug clients, and the PEX 8624 used on hot-pluggable adapter boards, docking Stations, and line cards.

Each PEX 8624 Transparent downstream Port includes a Hot Plug Controller. Each Station in the PEX 8624 includes one set of 10 Hot Plug signals that associated to any single Port within that Station (default association is to Ports 1, 5, and 9, except when a Station is configured as a single x8 Port, default association is to that single Port within the Station). If more than one Port per Station requires Hot Plug signals, the additional Ports can use an external I²C I/O Expander (one 16-pin Maxim MAX7311, NXP PCA9555, or TI PCA9555 per slot (no serial EEPROM is required), –or–, if a programmed serial EEPROM is present, one 40-pin NXP PCA9698 per two slots), to provide the external signals (11 pins for Hot Plug, four pins for Slot ID, and one pin as General-Purpose Input/Output (GPIO)).

For further details, refer to [Chapter 10, “Hot Plug Support.”](#)

2.1.13 Fully Compliant Power Management

The PEX 8624 supports Link (L0, L0s, L1, L2/L3 Ready, and L3) and Device (D0 and D3hot) PM states, in compliance with the *PCI Express Base r2.0* and *PCI Power Mgmt. r1.2* PM specifications.

For further details, refer to [Chapter 11, “Power Management.”](#)

2.1.14 General-Purpose Input/Output Signals

The PEX 8624 contains 20 General-Purpose Input/Output (GPIO) balls and associated registers, that can be programmed to function as GPIO, Link Status (PORT_GOOD) indicators, and/or Interrupt inputs. Default functionality is GPIO input; however, serial EEPROM, I²C, and/or software can program the GPIO registers to define functionality for each I/O. Default functionality can also be modified by the logical value of the STRAP_TESTMODE[3:0] inputs, sampled at Fundamental Reset. Because typical designs implement PORT_GOOD functionality for enabled Ports, GPIO[9, 8, 6, 5, 1, 0] are renamed as PEX_PORT_GOOD[9, 8, 6, 5, 1, 0]# outputs.

For details, refer to the [GPIO\[19:12\]](#), [GPIO\[11, 10, 7, 4:2\]](#), [PEX_PORT_GOOD\[9, 8, 6, 5, 1, 0\]#](#), and [STRAP_TESTMODE\[3:0\]](#) signal descriptions in [Section 3.4, “Signal Ball Descriptions.”](#)

2.1.15 PCI Express Switch Non-Transparent Bridging

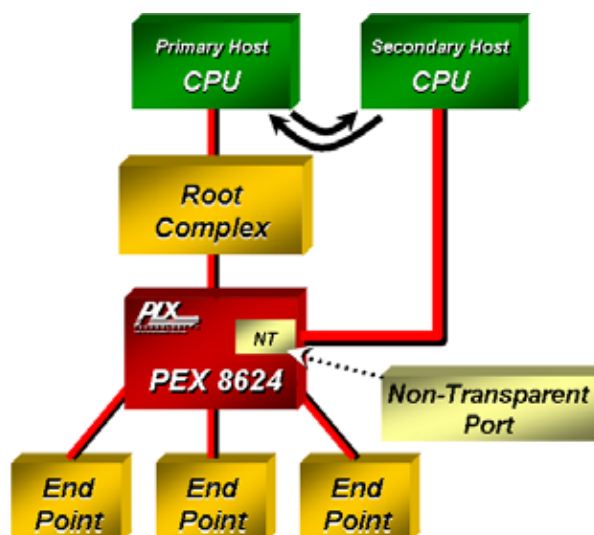
The PEX 8624 supports full Non-Transparent Bridging (NTB) functionality, to allow implementation of **multi-Host systems** and **intelligent I/O modules** in applications *such as storage*. To ensure prompt product migration, Non-Transparency features are implemented in the same way as Conventional PCI applications.

NT bridges allow systems to isolate Host memory domains, by presenting the processor subsystem as an endpoint, rather than another memory system:

- **Base Address** registers (BARs) are used to translate addresses
- **Doorbell** registers are used to signal interrupts between the address domains
- **Scratchpad** registers are accessible from both address domains, to allow inter-processor communication

Figure 2-2 illustrates use of the NT Port. For further details regarding NT mode, refer to [Chapter 13](#), “Non-Transparent Bridging – NT Mode Only.”

Figure 2-2. Non-Transparent Port



2.2 Applications

Suitable for **Host-centric** and **peer-to-peer traffic**, the PEX 8624 can be configured for a wide variety of form factors and applications.

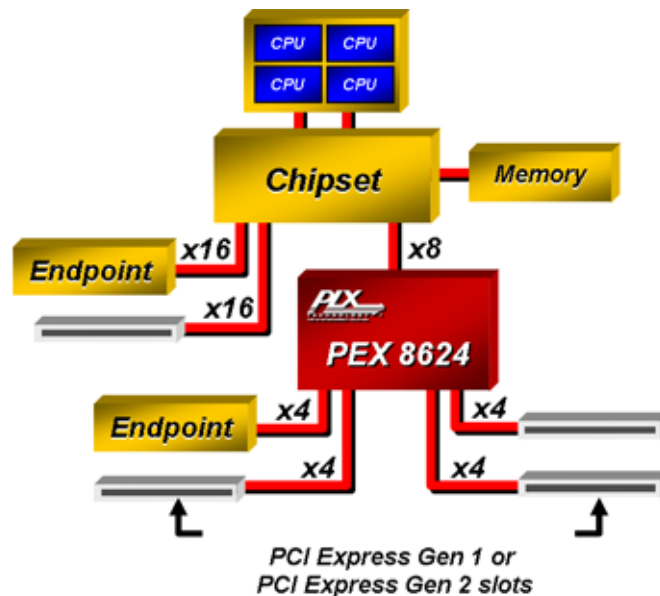
2.2.1 Host-Centric Fan-Out

The PEX 8624, with its symmetric or asymmetric Lane configuration capability, allows user-specific tuning to a variety of Host-centric applications.

Figure 2-3 illustrates a typical server fan-out design, where the Root Complex provides a PCI Express Link that needs to be expanded to a larger number of smaller Ports for a variety of I/O functions. In this example, the PEX 8624 has an 8-Lane upstream Port and four downstream Ports, using x4 Links. The downstream Ports can be of differing widths, if required.

The PEX 8624 is backward-compatible with PCI Express Gen 1 devices. Each PEX 8624 Port can independently negotiate the Link speed to 2.5 GT/s (Gen 1) or 5.0 GT/s (Gen 2), depending upon the other device's capabilities. Thus, the PEX 8624 can be used to create Gen 1 (2.5 GT/s) Ports, or to bridge Gen 1 devices to PCI Express Gen 2 systems (and vice versa). In Figure 2-3, the PCI Express slots connected to the PEX 8624's downstream Ports can be populated with either Gen 1 or Gen 2 devices. Conversely, the PEX 8624 can also be used to create Gen 2 Ports on a Gen 1 native chipset in the same manner.

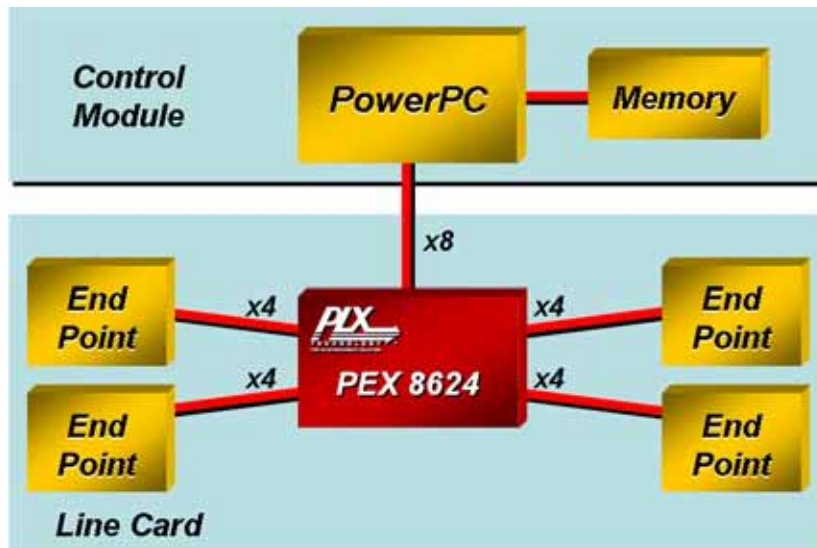
Figure 2-3. Fan-In/Fan-Out Usage



2.2.2 Communications Systems

The PEX 8624 can also be used in communications applications. [Figure 2-4](#) illustrates a PEX 8624 being used in a router, to fan-out to multiple endpoints in a line card from a control module using PowerPC. The Link widths for each endpoint can be configured as required. The PEX 8624's peer-to-peer communication feature allows the endpoints to communicate with one another, without Host intervention or management.

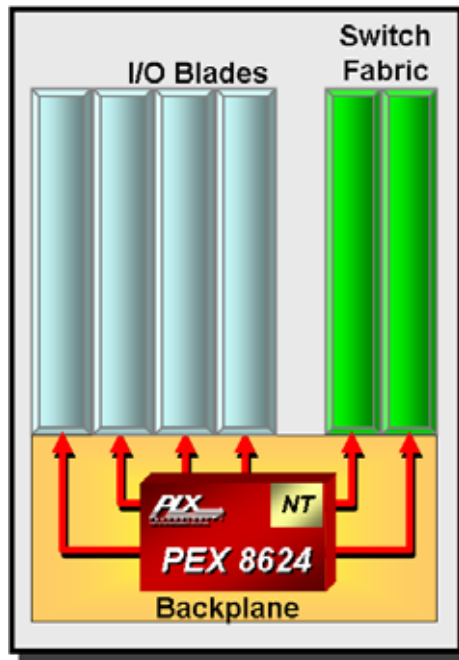
Figure 2-4. Communications Systems



2.2.3 Embedded Systems

The PEX 8624 is well-suited for embedded applications as well. Embedded applications, such as the example illustrated in [Figure 2-5](#), commonly use a number of independent modules for functions *such as* control plane processing, data acquisition, or image processing. [Figure 2-5](#) represents a bladed embedded system using a PEX 8624 for backplane connectivity between the CPU and I/O blades.

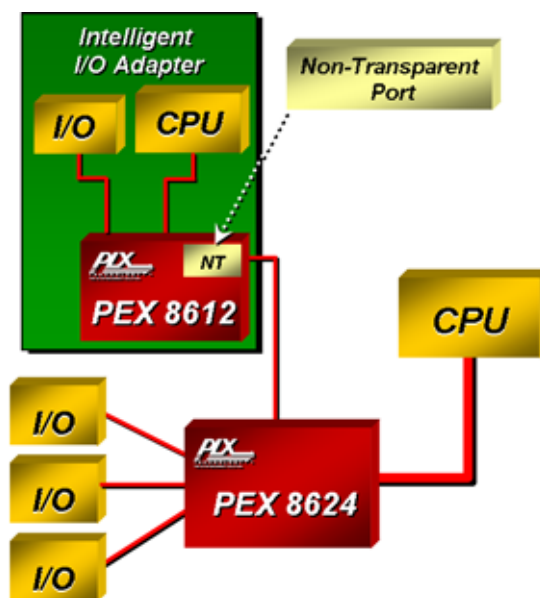
Figure 2-5. Embedded Systems – PCI Express Used in Bladed Systems for Backplane Connectivity between CPU and I/O Blades



2.2.4 Intelligent Adapter Board Usage

The PEX 8624 supports Non-Transparency Bridging (NTB). [Figure 2-6](#) illustrates a Host system using an intelligent adapter board, where the adapter board CPU is isolated from the Host CPU. The PEX 8624 NT Port allows the two CPUs to be isolated, but communicate with one another through registers designed specifically for that purpose. The Host CPU can dynamically re-assign the upstream Port and NT Port, allowing system re-configuration.

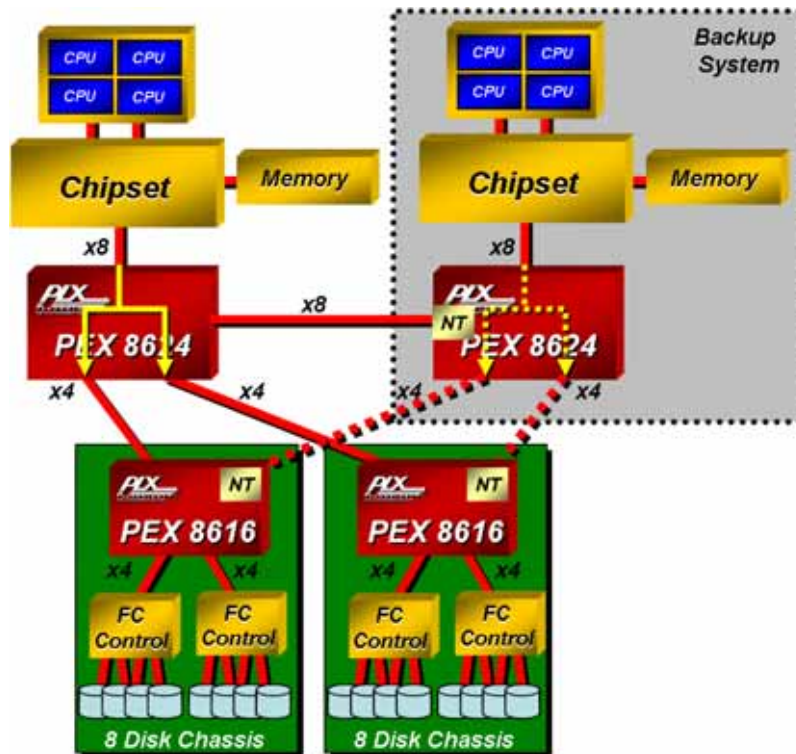
Figure 2-6. Intelligent Adapter Board Usage



2.2.5 Failover Storage Systems with Dual Cast

The PEX 8624's Dual Cast feature is useful in storage systems. In the example illustrated in [Figure 2-7](#), Dual Cast enables the PEX 8624 to copy data coming from the Host to two downstream Ports (indicated in the figure as the yellow traffic patterns) in one transaction, as opposed to having to execute two separate transactions to send data to the redundant chassis. By offloading the task of backing up data onto the secondary system, processor and system performance is enhanced. The PEX 8624's NT Port is used to isolate the backup system from the primary system.

Figure 2-7. Failover Storage Systems



2.3 Software Usage Model

From the system model viewpoint, each PCI Express Port is a virtual PCI-to-PCI bridge, with its own set of PCI Express Configuration registers. The recommended upstream Port is Port 0; however, any Port can be configured as the upstream Port through optional configuration, by way of a serial EEPROM, the I²C Slave interface, or Strapping inputs. The BIOS or Host can configure the other Ports, by way of the upstream Port, using Conventional PCI enumeration.

2.3.1 System Configuration

The virtual PCI-to-PCI bridges within the PEX 8624 are compliant to the PCI and PCI Express system models. The Configuration Space registers (CSRs) in a virtual primary/secondary PCI-to-PCI bridge are accessible by Type 0 or Type 1 Configuration Requests, through the virtual primary bus interface (matching Bus Number, Device Number, and Function Number).

2.3.2 Interrupt Sources and Events

The PEX 8624 supports the INT_x Interrupt Message type (compatible with *PCI r3.0* Interrupt signals) or Message Signaled Interrupts (MSIs), when enabled. The PEX 8624 generates interrupts/Messages for the following:

- Hot Plug or Link State events
- PCI Express Hot Plug events
- Device-Specific errors and events
- GPIO-generated events
- NT Doorbell-generated events
- Baseline and Advanced Error Reporting

Internally generated interrupts and interrupts forwarded from downstream Ports are re-mapped and collapsed at the upstream Port.

THIS PAGE INTENTIONALLY LEFT BLANK.



Chapter 3 Signal Ball Description

3.1 Introduction

This chapter provides descriptions of the 324 PEX 8624 signal balls. The signal name, type, location, and a brief description are provided for each signal ball. A map of the PEX 8624's physical layout is also provided.

3.2 Abbreviations

The following abbreviations are used in the signal tables provided in this chapter.

Table 3-1. Ball Assignment Abbreviations

| Abbreviation | Description |
|----------------------|---|
| # | Active-Low signal |
| A | Analog Input signal |
| APWR | Power (VDD10A) balls for SerDes Analog circuits |
| CMLCLKn ^a | Differential low-voltage, high-speed, CML negative Clock inputs |
| CMLCLKp ^a | Differential low-voltage, high-speed, CML positive Clock inputs |
| CMLRn | Differential low-voltage, high-speed, CML negative Receiver inputs |
| CMLRp | Differential low-voltage, high-speed, CML positive Receiver inputs |
| CMLTn | Differential low-voltage, high-speed, CML negative Transmitter outputs |
| CMLTp | Differential low-voltage, high-speed, CML positive Transmitter outputs |
| CPWR | 1.0V Power (VDD10) balls for low-voltage Core circuits |
| GND | Common Ground (VSS) for all circuits |
| I | Input |
| I/O | Bidirectional (Input or Output) |
| I/OPWR | 2.5V Power (VDD25) balls for Input and Output interfaces |
| O | Output |
| OD | Open Drain output |
| PD | Weak internal pull-down resistor |
| PLLWR | 2.5V Power (VDD25A) balls for Phase-Locked Loop (PLL) circuits |
| PU | Weak internal pull-up resistor |
| SerDes | Serializer/De-Serializer differential low-voltage, high-speed, I/O signal pairs (negative and positive) |
| STRAP | Input signals used for PEX 8624 configuration, operational mode Setting, and Factory Test ; these signals generally are not toggled at runtime |

a. For REFCLK input, CML source is recommended; however, LVDS source is supported.

3.3 Internal Pull-Up/Pull-Down Resistors

The PEX 8624 contains I/O buffers that have weak internal pull-up or pull-down resistors, indicated in this chapter by PU or PD, respectively, in the signal ball tables (**Type** column). If a signal with this notation is used and no board trace is connected to the ball, the internal resistor is usually sufficient to keep the signal from toggling. However, if a signal with this notation is not used, but is connected to a board trace and is not used nor driven by an external source at all times, the internal resistors might not be sufficiently strong to hold the signal in the inactive state. In cases such as these, it is recommended that the signal be pulled or tied High to VDD25, or Low to Ground (VSS), as appropriate, through a 3K Ω to 10K Ω resistor.

Table 3-2 lists the internal pull-up and pull-down resistor values.

Table 3-2. Internal Resistor Values

| Internal Resistor | Minimum | Typical | Maximum | Units |
|-------------------|---------|---------|---------|----------|
| PU | 74K | 111K | 178K | Ω |
| PD | 62K | 99K | 179K | Ω |

3.4 Signal Ball Descriptions

Note: If there is more than one ball per signal name that includes a numbered range, the locations are listed in the same sequence in which the range is listed, starting at the top row, from left to right. For example, PEX_PERn11 is located at AC17, PEX_PERn10 is located at AC16, and so forth.

If there is more than one ball per signal name that does not include a numbered range (such as VDD10), the locations are listed in ascending alphanumeric order.

The PEX 8624 signals are divided into the following groups:

- PCI Express Signals
- Parallel Hot Plug Signals for Ports C, B, and A
- Serial Hot Plug Signals
- Serial EEPROM Signals
- Strapping Signals
- JTAG Interface Signals
- I2C Slave Interface Signals
- Device-Specific Signals
- External Resistor Signals
- No Connect Signals
- Power and Ground Signals

3.4.1 PCI Express Signals

Table 3-3 defines the PCI Express SerDes and Control signals.

Table 3-3. PCI Express Signals – 99 Balls

| Signal Name | Type | Location | Description |
|-----------------|-----------|---|--|
| PEX_PERn[7:0] | CMLRn | R11, R10, R9, R8, R6, R5, R4, R3 | Negative Half of PCI Express Receiver Differential Signal Pairs for Station 0 (8 Balls) |
| PEX_PERn[31:24] | CMLRn | D11, D10, D9, D8, D6, D5, D4, D3 | Negative Half of PCI Express Receiver Differential Signal Pairs for Station 1 (8 Balls) |
| PEX_PERn[39:32] | CMLRn | E15, F15, G15, H15, K15, L15, M15, N15 | Negative Half of PCI Express Receiver Differential Signal Pairs for Station 2 (8 Balls) |
| PEX_PERp[7:0] | CMLRp | P11, P10, P9, P8, P6, P5, P4, P3 | Positive Half of PCI Express Receiver Differential Signal Pairs for Station 0 (8 Balls) |
| PEX_PERp[31:24] | CMLRp | E11, E10, E9, E8, E6, E5, E4, E3 | Positive Half of PCI Express Receiver Differential Signal Pairs for Station 1 (8 Balls) |
| PEX_PERp[39:32] | CMLRp | E14, F14, G14, H14, K14, L14, M14, N14 | Positive Half of PCI Express Receiver Differential Signal Pairs for Station 2 (8 Balls) |
| PEX_PERST# | I/O PU | M3 | PCI Express Reset Used to cause a Fundamental Reset. (Refer to Chapter 5, “Reset and Initialization,” for further details.) |
| PEX_PETn[7:0] | CMLTn | V11, V10, V9, V8, V6, V5, V4, V3 | Negative Half of PCI Express Transmitter Differential Signal Pairs for Station 0 (8 Balls) |
| PEX_PETn[31:24] | CMLTn | A11, A10, A9, A8, A6, A5, A4, A3 | Negative Half of PCI Express Transmitter Differential Signal Pairs for Station 1 (8 Balls) |
| PEX_PETn[39:32] | CMLTn | E18, F18, G18, H18, K18, L18, M18, N18 | Negative Half of PCI Express Transmitter Differential Signal Pairs for Station 2 (8 Balls) |
| PEX_PETp[7:0] | CMLTp | U11, U10, U9, U8, U6, U5, U4, U3 | Positive Half of PCI Express Transmitter Differential Signal Pairs for Station 0 (8 Balls) |
| PEX_PETp[31:24] | CMLTp | B11, B10, B9, B8, B6, B5, B4, B3 | Positive Half of PCI Express Transmitter Differential Signal Pairs for Station 1 (8 Balls) |
| PEX_PETp[39:32] | CMLTp | E17, F17, G17, H17, K17, L17, M17, N17 | Positive Half of PCI Express Transmitter Differential Signal Pairs for Station 2 (8 Balls) |

Table 3-3. PCI Express Signals – 99 Balls (Cont.)

| Signal Name | Type | Location | Description |
|-------------|---------|----------|--|
| PEX_REFCLKn | CMLCLKn | V7 | Negative Half of 100-MHz PCI Express Reference Clock Input Signal Pair PEX_REFCLKn must be AC-coupled. Use a 0.01 to 0.1 μ F capacitor. |
| PEX_REFCLKp | CMLCLKp | U7 | Positive Half of 100-MHz PCI Express Reference Clock Input Signal Pair PEX_REFCLKp must be AC-coupled. Use a 0.01 to 0.1 μ F capacitor. |

3.4.2 Hot Plug Signals

The PEX 8624 includes signals for both Parallel and Serial Hot Plug support.

Parallel Hot Plug can be implemented on one Port per Station, as selected by the *HP Parallel Port* field in each Station (Port 0, 4, or 8, offset 1E0h[14:13]).

Serial Hot Plug can be implemented on any Transparent downstream Port that is not designated as a Parallel Hot Plug Port by the Station's *HP Parallel Port* field.

Hot Plug signals are enabled, configured, and accessed through the **Slot Capability** and **Slot Status and Control** registers (offsets 7Ch and 80h, respectively), in each Port. Also, each Port's **Power Management Hot Plug User Configuration** register (offset 1E0h) provides additional Device-Specific configuration and control, for both Parallel and Serial Hot Plug implementations.

Both signal types are discussed in the sections that follow.

3.4.2.1 Parallel Hot Plug Signals

The PEX 8624 includes 10 signal balls, per Station, that support the Parallel Hot Plug Controller (HP_), as defined in Table 3-4. These signals are active only for Hot Plug-capable Transparent downstream Ports configured at start-up.

For further details regarding Hot Plug, refer to Chapter 10, "Hot Plug Support."

Notes: *All Parallel Hot Plug signals are I/O; however, their logical operation is either input or output, as described for each signal.*

*All Parallel Hot Plug signals are duplicated for each Hot Plug-capable Port, as A, B, and C signals, which map to one Port in each Station (Stations 0, 1, and 2, respectively), as designated in the *HP Parallel Port* field of each Station (Port 0, 4, or 8, offset 1E0h[14:13]).*

Table 3-4. Parallel Hot Plug Signals^a for Ports C, B, and A – 30 Balls

| Signal Name | Type | Location | Description |
|----------------------|-----------|--------------|--|
| HP_ATNLED_[C, B, A]# | I/O PU | A13, K2, U16 | <p>Hot Plug Attention LED Outputs (3 Balls)</p> <p>Active-Low Slot Control Logic output that is used to drive the Attention Indicator. Output is asserted Low to turn On (illuminate) the LED.</p> <p>Enabled when the Slot Capability register <i>Attention Indicator Present</i> bit (offset 7Ch[3]) is Set and controlled by the Slot Control register <i>Attention Indicator Control</i> field (offset 80h[7:6]). When software writes to the <i>Attention Indicator Control</i> field, a Command Completed interrupt can be generated to notify the Host that the command has been executed.</p> <p>When the following conditions exist:</p> <ul style="list-style-type: none"> • Slot Capability register <i>Attention Indicator Present</i> bit (offset 7Ch[3]) is Set, and • Slot Control register <i>Command Completed Interrupt Enable</i> bit is not masked (offset 80h[4], is Set), and • Slot Control register <i>Hot Plug Interrupt Enable</i> bit (offset 80h[5]) is Set, <p>an interrupt (MSI, INTx Message, or PEX_INTA# output, all mutually exclusive, on a per-Port basis) can be generated to the Host.</p> <p>If HP_ATNLED_x# are used, each requires an external current-limiting resistor.</p> <p>Note: <i>Although this is an I/O signal, its logical operation is output.</i></p> |

Table 3-4. Parallel Hot Plug Signals^a for Ports C, B, and A – 30 Balls (Cont.)

| Signal Name | Type | Location | Description |
|----------------------|-----------|--------------|---|
| HP_BUTTON_[C, B, A]# | I/O PU | A14, M1, U17 | <p>Hot Plug Attention Button Inputs (3 Balls)</p> <p>Active-Low Slot Control Logic input that is connected directly to the Attention Button, with input assertion status latched in the Slot Status register <i>Attention Button Pressed</i> bit (offset 80h[16]). Enabled when the Slot Capability register <i>Attention Button Present</i> bit (offset 7Ch[0]) is Set.</p> <p>When the following conditions exist:</p> <ul style="list-style-type: none"> • HP_BUTTON_x# are not masked (Slot Control register <i>Attention Button Pressed Enable</i> bit, offset 80h[0], is Set), and • Slot Capability register <i>Hot Plug Capable</i> bit (offset 7Ch[6]) is Set, and • Slot Control register <i>Hot Plug Interrupt Enable</i> bit (offset 80h[5]) is Set, <p>an interrupt (MSI, INTx Message, or PEX_INTA# output, all mutually exclusive, on a per-Port basis) can be generated, to notify the Host of intended board insertion or removal.</p> <p><i>Notes: HP_BUTTON_x# is internally de-bounced, but must remain stable for at least 10 ms.</i></p> <p><i>Although this is an I/O signal, its logical operation is input.</i></p> |
| HP_CLKEN_[C, B, A]# | I/O PU | A18, R1, V15 | <p>Hot Plug Reference Clock Enable Outputs (3 Balls)</p> <p>Active-Low Slot Control Logic output that, when enabled, controls the connection of the external REFCLK to the slot. Enabled when the Slot Capability register <i>Power Controller Present</i> bit (offset 7Ch[1]) is Set, and controlled by the Slot Control register <i>Power Controller Control</i> bit (offset 80h[10]).</p> <p>The time delay from HP_PWREN_x output assertion to HP_CLKEN_x# output assertion is programmable (through serial EEPROM load) from 128 to 512 ms, in the <i>HPC Tpepv</i> field (offset 1E0h[4:3]). When the register field is programmed to 00b (default), HP_PWR_GOOD_x input assertion controls the time delay from HP_PWREN_x output assertion to HP_CLKEN_x# output assertion.</p> <p><i>Note: Although this is an I/O signal, its logical operation is output.</i></p> |

Table 3-4. Parallel Hot Plug Signals^a for Ports C, B, and A – 30 Balls (Cont.)

| Signal Name | Type | Location | Description |
|----------------|-----------|----------|--|
| HP_MRL_[C, A]# | I/O PU | D13, R15 | <p>Hot Plug Manually Operated Retention Latch Sensor Inputs (2 Balls)</p> <p>Active-Low Slot Control Logic input that is connected directly to an optional Manually operated Retention Latch (MRL) Sensor that is logic Low when the latch is closed.</p> <p>Enabled when the Slot Capability register <i>MRL Sensor Present</i> bit (offset 7Ch[2]) is Set.</p> <p>When enabled, HP_MRL_[C, A]# input assertion enables Hot Plug output sequencing to turn On the slot's power (HP_PWREN_[C, A] and HP_PWRLED_[C, A]#) and clock (HP_CLKEN_[C, A]#), and de-assert Reset (HP_PERST_[C, A]#) after reset, as illustrated in Figure 10-2, "Hot Plug Outputs When Power Controller Present and Power Controller Control Bits Are Cleared," or under software control.</p> <p>A change in the HP_MRL_[C, A]# signal state is latched in the Slot Status register <i>MRL Sensor Changed</i> bit (offset 80h[18]), and the state change can assert an interrupt to notify the Host of a change in the MRL Sensor state.</p> <p>When the following conditions exist:</p> <ul style="list-style-type: none"> • HP_MRL_[C, A]# are not masked (Slot Control register <i>MRL Sensor Changed Enable</i> bit, offset 80h[2], is Set), and • Slot Control register <i>Hot Plug Interrupt Enable</i> bit (offset 80h[5]) is Set, <p>an interrupt (MSI, INTx Message, or PEX_INTA# output, all mutually exclusive, on a per-Port basis) can be generated.</p> <p>If the associated Hot Plug-capable Transparent downstream Port connects to a PCI Express board slot that does not implement an MRL Sensor, HP_MRL_[C, A]# is typically connected to HP_PRSNT_[C, A]# and a pull-up resistor, with the common node connected to the PRSNT2# signal(s) at the slot.</p> <p>If the associated Hot Plug-capable Transparent downstream Port instead connects directly to a device, and Hot Plug signals (such as HP_PERST_x#) are used, pull HP_MRL_[C, A]# Low to enable the automatic Hot Plug output sequencing following switch Reset (PEX_PERST# or Hot Reset) de-assertion. Otherwise, if Hot Plug signals are not used, pull HP_MRL_[C, A]# High, to hold the Hot Plug outputs in their inactive states.</p> <p>When HP_MRL_[C, A]# is enabled and the input is sampled High on a powered slot, REFCLK to the slot is automatically disconnected and the slot power is automatically turned Off, as illustrated in Figure 10-3, "Hot Plug Automatic Power-Down Sequence."</p> <p><i>Notes:</i> HP_MRL_[C, A]# is internally de-bounced, but must remain stable for at least 10 ms. HP_MRL_[C, A]#, if enabled, is not de-bounced when sampled immediately after reset.</p> <p>Although this is an I/O signal, its logical operation is input.</p> |

Table 3-4. Parallel Hot Plug Signals^a for Ports C, B, and A – 30 Balls (Cont.)

| Signal Name | Type | Location | Description |
|-------------|------|----------|--|
| HP_MRL_B# | I | L2 | <p>Hot Plug Manually Operated Retention Latch Sensor Input</p> <p>Active-Low Slot Control Logic input that is connected directly to an optional MRL Sensor that is logic Low when the latch is closed. Enabled when the Slot Capability register <i>MRL Sensor Present</i> bit (offset 7Ch[2]) is Set.</p> <p>When enabled, HP_MRL_B# input assertion enables Hot Plug output sequencing to turn On the slot's power (HP_PWREN_B and HP_PWLED_B#) and clock (HP_CLKEN_B#), and de-assert Reset (HP_PERST_B#) after reset, as illustrated in Figure 10-2, "Hot Plug Outputs When Power Controller Present and Power Controller Control Bits Are Cleared," or under software control.</p> <p>A change in the HP_MRL_B# signal state is latched in the Slot Status register <i>MRL Sensor Changed</i> bit (offset 80h[18]), and the state change can assert an interrupt to notify the Host of a change in the MRL Sensor state.</p> <p>When the following conditions exist:</p> <ul style="list-style-type: none"> • HP_MRL_B# is not masked (Slot Control register <i>MRL Sensor Changed Enable</i> bit, offset 80h[2], is Set), and • Slot Control register <i>Hot Plug Interrupt Enable</i> bit (offset 80h[5]) is Set, <p>an interrupt (MSI, INTx Message, or PEX_INTA# output, all mutually exclusive, on a per-Port basis) can be generated.</p> <p>If the associated Hot Plug-capable Transparent downstream Port connects to a PCI Express board slot that does not implement an MRL Sensor, HP_MRL_B# is typically connected to HP_PRSNT_B# and a pull-up resistor, with the common node connected to the PRSNT2# signal(s) at the slot.</p> <p>If the associated Hot Plug-capable Transparent downstream Port instead connects directly to a device, and Hot Plug signals (such as HP_PERST_x#) are used, pull HP_MRL_B# Low to enable the automatic Hot Plug output sequencing following switch Reset (PEX_PERST# or Hot Reset) de-assertion. Otherwise, if Hot Plug signals are not used, pull HP_MRL_B# High, to hold the Hot Plug outputs in their inactive states.</p> <p>When HP_MRL_HP_MRL_B# is enabled and the input is sampled High on a powered slot, REFCLK to the slot is automatically disconnected and the slot power is automatically turned Off, as illustrated in Figure 10-3, "Hot Plug Automatic Power-Down Sequence."</p> <p>HP_MRL_B# requires an external resistor, as follows:</p> <ul style="list-style-type: none"> • If Station 1 Parallel Hot Plug is not used, but HP_PERST_B# output is used (to reset a downstream device), connect HP_MRL_B# to an external pull-down resistor • Otherwise, connect HP_MRL_B# to an external pull-up resistor <p><i>Notes: HP_MRL_B# is internally de-bounced, but must remain stable for at least 10 ms. HP_MRL_B#, if enabled, is not de-bounced when sampled immediately after reset.</i></p> <p><i>Although this is an I/O signal, its logical operation is input.</i></p> |

Table 3-4. Parallel Hot Plug Signals^a for Ports C, B, and A – 30 Balls (Cont.)

| Signal Name | Type | Location | Description |
|---------------------|-----------|--------------|---|
| HP_PERST_[C, B, A]# | I/O PU | B13, N1, V16 | <p>Hot Plug Reset Outputs (3 Balls)</p> <p>Active-Low Slot Control Logic output that is used to reset the slot. When the Slot Capability register <i>Power Controller Present</i> bit (offset 7Ch[1]) is Set, the HP_PERST_x# output state can be controlled by software, using the Slot Control register <i>Power Controller Control</i> bit (offset 80h[10]).</p> <p><i>Note: Although this is an I/O signal, its logical operation is output.</i></p> |
| HP_PRSNT_[C, B, A]# | I/O PU | A16, M2, V18 | <p>Hot Plug PRSNT2# Inputs (3 Balls)</p> <p>Active-Low Slot Control Logic input that connects to the slot's PRSNT2# signal, which on the add-in board connects to the slot's PRSNT1# signal, which is typically grounded on the motherboard. A change in the HP_PRSNT_x# input state is latched in the Slot Status register <i>Presence Detect Changed</i> bit (offset 80h[19]), and the state change can assert an interrupt to notify the Host of board presence or absence.</p> <p>When the following conditions exist:</p> <ul style="list-style-type: none"> • HP_PRSNT_x# are not masked (Slot Control register <i>Presence Detect Changed Enable</i> bit (offset 80h[3], is Set), and • Slot Control register <i>Hot Plug Interrupt Enable</i> bit (offset 80h[5]) is Set, <p>an interrupt (MSI, INTx Message, or PEX_INTA# output, all mutually exclusive, on a per-Port basis) can be generated.</p> <p><i>Notes: HP_PRSNT_x# is internally de-bounced, but must remain stable for at least 10 ms.</i></p> <p><i>Although this is an I/O signal, its logical operation is input.</i></p> |

Table 3-4. Parallel Hot Plug Signals^a for Ports C, B, and A – 30 Balls (Cont.)

| Signal Name | Type | Location | Description |
|----------------------|-----------|--------------|--|
| HP_PWREN_[C, B, A] | I/O PU | B14, M4, U15 | <p>Hot Plug Power Enable Outputs (3 Balls)</p> <p>Active-High Slot Control Logic output that controls the slot power state. When this output is High, power is enabled to the slot.</p> <p>Enabled when the Slot Capability register <i>Power Controller Present</i> bit (offset 7Ch[1]) is Set.</p> <p>When software turns the slot's Power Controller On or Off (Slot Control register <i>Power Controller Control</i> bit, offset 80h[10]), a Command Completed interrupt can be generated to notify the Host that the command has been executed.</p> <p>When the following conditions exist:</p> <ul style="list-style-type: none"> • Slot Control register <i>Command Completed Interrupt Enable</i> bit is not masked (offset 80h[4], is Set), and • Slot Control register <i>Hot Plug Interrupt Enable</i> bit (offset 80h[5]) is Set, <p>an interrupt (MSI, INTx Message, or PEX_INTA# output, all mutually exclusive, on a per-Port basis) can be generated to the Host.</p> <p>When HP_MRL_x# is enabled (Slot Capability register <i>MRL Sensor Present</i> bit, offset 7Ch[2], is Set), HP_MRL_x# input assertion enables Hot Plug output sequencing to turn On the slot's power, by asserting HP_PWREN_x after reset, as illustrated in Figure 10-2, "Hot Plug Outputs When Power Controller Present and Power Controller Control Bits Are Cleared," or under software control.</p> <p><i>Notes:</i> HP_PWREN_x polarity is inverted with respect to HP_PWRENx# functionality in PLX ExpressLane Gen 1 switches. Although this is an I/O signal, its logical operation is output.</p> |
| HP_PWRFLT_[C, B, A]# | I/O PU | C14, M5, V17 | <p>Hot Plug Power Fault Inputs (3 Balls)</p> <p>Active-Low Slot Control Logic input that, when asserted Low, indicates that the slot's external Power Controller detected a power fault on one or more supply rails.</p> <p>Enabled when the Slot Capability register <i>Power Controller Present</i> bit (offset 7Ch[1]) is Set, and input assertion status is latched in the Slot Status register <i>Power Fault Detected</i> bit (offset 80h[17]).</p> <p>When the following conditions exist:</p> <ul style="list-style-type: none"> • HP_PWRFLT_x# are not masked (Slot Control register <i>Power Fault Detector Enable</i> bit, offset 80h[1], is Set), and • Slot Control register <i>Hot Plug Interrupt Enable</i> bit (offset 80h[5]) is Set, <p>an interrupt (MSI, INTx Message, or PEX_INTA# output, all mutually exclusive, on a per-Port basis) can be generated, to notify the Host of a power fault.</p> <p><i>Notes:</i> If HP_PWREN_x and HP_CLKEN_x# are not used, HP_PWRFLT_x# can be used as a general-purpose input with status reflected in the Port's Slot Status register <i>Power Fault Detected</i> bit (offset 80h[17]), provided that the Port's Slot Capability register <i>Power Controller Present</i> bit (offset 7Ch[1]) is Set. Although this is an I/O signal, its logical operation is input.</p> |

Table 3-4. Parallel Hot Plug Signals^a for Ports C, B, and A – 30 Balls (Cont.)

| Signal Name | Type | Location | Description |
|-----------------------|-----------|--------------|---|
| HP_PWR_GOOD_[C, B, A] | I PD | C16, K4, R14 | <p>Hot Plug Power Good Inputs (3 Balls)</p> <p>Active-High (default) input that when enabled (default), causes the Slot Control Logic to delay HP_CLKEN_x# output assertion to turn On REFCLK to the slot, until HP_PWR_GOOD_x input is asserted to indicate that the installed module's power supplies are active and stable.</p> <p>Signal polarity can be changed to Active-Low, by programming the serial EEPROM to Set the Port's <i>HP_PWR_GOOD_x Active-Low Enable</i> bit (offset 1E0h[6]). Polarity must not be changed by I²C, because that is too slow for initialization.</p> <p>HP_PWR_GOOD_x is disabled when the Port's <i>HPC Tpepv</i> field (offset 1E0h[4:3]) is programmed to a value other than 00b, to cause HP_CLKEN_x# output assertion to follow HP_PWREN_x assertion, by a fixed delay (128, 256, or 512 ms).</p> |
| HP_PWRLED_[C, B, A]# | I/O PU | B16, N2, T14 | <p>Hot Plug Power LED Outputs (3 Balls)</p> <p>Active-Low Slot Control Logic output that is used to drive the Power Indicator. This output is asserted Low to turn On (illuminate) the LED.</p> <p>Enabled when the Slot Capability register <i>Power Indicator Present</i> bit (offset 7Ch[4]) is Set, and controlled by the Slot Control register <i>Power Indicator Control</i> field (offset 80h[9:8]). When software writes to the <i>Power Indicator Control</i> field, a Command Completed interrupt can be generated to notify the Host that the command has been executed.</p> <p>When the following conditions exist:</p> <ul style="list-style-type: none"> • Slot Capability register <i>Power Indicator Present</i> bit (offset 7Ch[4]) is Set, and • Slot Control register <i>Command Completed Interrupt Enable</i> bit is not masked (offset 80h[4], is Set), and • Slot Control register <i>Hot Plug Interrupt Enable</i> bit (offset 80h[5]) is Set, <p>an interrupt (MSI, INTx Message, or PEX_INTA# output, all mutually exclusive, on a per-Port basis) can be generated to the Host.</p> <p>If HP_PWRLED_x# are used, each requires an external current-limiting resistor.</p> <p><i>Note:</i> Although this is an I/O signal, its logical operation is output.</p> |

- a. If Hot Plug outputs are used and HP_MRL_x# inputs are not used, pull the HP_MRL_x# inputs Low, so that Hot Plug outputs will properly sequence if the serial EEPROM is blank or missing. Default register values enable HP_MRL_x#, which must then be asserted, to cause Hot Plug outputs to toggle (for example, to de-assert HP_PERST_x# and assert HP_PWRLED_x#).

3.4.2.2 Serial Hot Plug Signals

Transparent downstream Ports can implement Hot Plug by using external I²C I/O Expanders (one 16-pin Maxim MAX7311, NXP PCA9555, or TI PCA9555 per slot –or– one 40-pin NXP PCA9698 per two slots, provided that the PEX 8624 serial EEPROM Sets the **Power Management Hot Plug User Configuration** register *40-Pin I/O Expander Enable* bit (Port 0, or NT Port Virtual Interface if Port 0 is the NT Port, offset 1E0h[17]). All Ports implementing Serial Hot Plug must use the same type of I/O Expander (either 16-pin or 40-pin, but not both concurrently).

Table 3-4 defines the three signal balls that support Serial Hot Plug. Additionally, the PEX 8624 supports external Serial Hot Plug signals on the I²C I/O Expander. (Refer to Section 10.8.2, “I²C I/O Expander Parts Selection and Pin Definition.”)

These signals are active only for Serial Hot Plug-capable Ports configured at start-up. For further details regarding Hot Plug, refer to Chapter 10, “Hot Plug Support.”

Table 3-5. Serial Hot Plug Signals – 3 Balls

| Signal Name | Type | Location | Description |
|-------------|------|----------|---|
| I2C_SCL1 | OD | U14 | <p>I²C Serial Clock Line for Serial Hot Plug Support</p> <p>I²C Clock source. Used with the external I²C I/O Expander, and must be bused to each I/O Expander’s Clock (SCL) pin. In combination with I2C_SDA1, forms the PEX 8624 I²C Master interface.</p> <p>I2C_SCL1 requires an external pull-up resistor.</p> |
| I2C_SDA1 | OD | U13 | <p>I²C Serial Data Line for Serial Hot Plug Support</p> <p>Transmits and receives I²C data. Used with the external I²C I/O Expander, and must be bused to each I/O Expander’s Data (SDA) pin. In combination with I2C_SCL1, forms the PEX 8624 I²C Master interface.</p> <p>I2C_SDA1 requires an external pull-up resistor.</p> |
| SHPC_INT# | I | A1 | <p>Serial Hot Plug Controller Interrupt Input</p> <p>Active-Low interrupt input from external I²C I/O Expanders. Used only by Serial Hot Plug-capable Transparent downstream Ports. The I/O Expander asserts its INT# output whenever any of its inputs change state, and de-asserts its INT# output when the corresponding Input Port Data register (that changed state) is read. When the SHPC_INT# Interrupt input (connected to the INT# output of all I/O Expanders) is asserted, the I²C Master interface begins reading the Input Port registers of all I/O Expanders, and copies the values to the appropriate bits in the corresponding Port’s Slot Status register (offset 80h). The I²C Master interface halts the reading of I/O Expander registers when the SHPC_INT# input de-asserts.</p> <p>SHPC_INT# requires an external pull-up resistor.</p> <p><i>Note: SHPC_INT# is internally de-bounced, but must remain stable for at least 10 ms.</i></p> |

3.4.3 Serial EEPROM Signals

The PEX 8624 includes four signals for interfacing to a serial EEPROM, defined in [Table 3-6](#). For information regarding serial EEPROM use, refer to [Chapter 6, “Serial EEPROM Controller.”](#)

Table 3-6. Serial EEPROM Signals – 4 Balls

| Signal Name | Type | Location | Description |
|-------------|-----------|----------|--|
| EE_CS# | I/O PU | B18 | Active-Low Serial EEPROM Chip Select I/O <i>Note:</i> Although this is an I/O signal, its logical operation is output. |
| EE_DI | O | C15 | PEX 8624 Output to Serial EEPROM Data Input |
| EE_DO | I/O PU | C17 | PEX 8624 I/O from Serial EEPROM Data Output Should be pulled High to VDD25 . <i>Note:</i> Although this is an I/O signal, its logical operation is input. |
| EE_SK | I/O PU | B17 | Serial EEPROM Clock Frequency Output Programmable (by way of the Serial EEPROM Clock Frequency register EepFreq[2:0] field (Port 0, and also NT Port Virtual Interface if Port 0 is the NT Port, offset 268h[2:0]), to the following: <ul style="list-style-type: none"> • 1 MHz (default) • 1.98 MHz • 5 MHz • 9.62 MHz • 12.5 MHz • 15.6 MHz • 17.86 MHz <i>Note:</i> Although this is an I/O signal, its logical operation is output. |

3.4.4 Strapping Signals

The PEX 8624 Strapping inputs, defined in Table 3-7, Set the configuration of upstream Port and NT Port assignment, Link width, and various setup and test modes. These inputs must be pulled or tied High to VDD25 or Low to Ground (VSS), as indicated in the table. After a Fundamental Reset, the **Link Capability**, **Debug Control**, and **Port Configuration** registers (offsets 74h, 1DCh, and 574h, respectively) capture ball status. Strapping input Configuration data can be changed by writing new data to these registers from the serial EEPROM. I²C can also change Strapping input Configuration data; however, it should first Set the Port's **Port Control** register *Disable Port x* bit (Port 0, 4, or 8, and also NT Port Virtual Interface if Port 0 is the NT Port, offset 234h[18:16]), to prevent linkup and Host enumeration. Then, when I²C programming is complete, I²C should lastly Clear the upstream Port's *Disable Port x* bit.

Table 3-7. Strapping Signals – 29 Balls

| Signal Name | Type | Location | Description |
|----------------------|------|----------|--|
| STRAP_DEBUG_SEL[1:0] | I | N3, U2 | Factory Test Only (2 Balls) Must be pulled or tied High to VDD25. |
| STRAP_FAST_BRINGUP# | I | P12 | Factory Test Only Must be pulled or tied High to VDD25. |
| STRAP_NT_ENABLE# | I | A2 | <p>Enable NT Mode</p> <p>Active-Low input that enables and disables NT mode.</p> <p>The STRAP_NT_ENABLE# input can be overridden by the serial EEPROM programming of the Debug Control register <i>NT Mode Enable</i> bit (Port 0, and also NT Port Virtual Interface if Port 0 is the NT Port, offset 1DCh[18]). If the register is programmed by serial EEPROM, that must be the first serial EEPROM entry.</p> <p>I²C can enable or disable NT mode, by writing to the Debug Control register, after the upstream Port Link is brought down, by Setting the upstream device's Link Control register <i>Link Disable</i> bit (PCI Express Capability, offset 10h[4]). After I²C configures the PEX 8624, the upstream Link can be restored by Clearing the <i>Link Disable</i> bit in the device connected to the upstream Port.</p> <p>Software can enable or disable NT mode, by writing to the Debug Control register, if the register's <i>Hardware/Software Configuration Mode Control</i> bit (Port 0, and also NT Port Virtual Interface if Port 0 is the NT Port, offset 1DCh[15]) is already Set.</p> <p>L = Enables NT mode H = Disables NT mode (default)</p> |

Table 3-7. Strapping Signals – 29 Balls (Cont.)

| Signal Name | Type | Location | Description |
|-------------------------------|------|-----------------------------------|--|
| STRAP_NT_UPSTRM_PORTSEL[1:0] | I | D2, C2 | <p>Select Upstream Non-Transparent Port (2 Balls) Select any Station 0 Port as the upstream NT Port.</p> <p>The STRAP_NT_UPSTRM_PORTSEL[1:0] inputs can be overridden by the serial EEPROM value for the Debug Control register <i>NT Port Number</i> field (Port 0, and also NT Port Virtual Interface if Port 0 is the NT Port, offset 1DCh[25:24]). If the register is programmed by serial EEPROM, that must be the first serial EEPROM entry.</p> <p>I²C can select a Port to be the upstream NT Port, by writing to the Debug Control register. I²C should first Set the Port's Port Control register <i>Disable Port x</i> bit (Port 0, 4, or 8, and also NT Port Virtual Interface if Port 0 is the NT Port, offset 234h[18:16]), to prevent linkup and Host enumeration. After I²C re-configures the PEX 8624, I²C should lastly Clear the upstream Port's <i>Disable Port x</i> bit.</p> <p>Software can also change which Port is configured to be the NT Port, by writing to the Debug Control register, if the register's <i>Hardware/Software Configuration Mode Control</i> bit (Port 0, and also NT Port Virtual Interface if Port 0 is the NT Port, offset 1DCh[15]) is already Set.</p> <p>Refer to Section 13.8, "Port Programmability," for further details.</p> <p>LL = Port 0 LH = Port 1 HL = Reserved HH = NT is not implemented</p> <p>Note: <i>If NT mode is not used (STRAP_NT_ENABLE#=H, and/or the serial EEPROM or I²C programs NT mode (Debug Control register, NT Mode Enable bit (Port 0, and also NT Port Virtual Interface if Port 0 is the NT Port, offset 1DCh[18]) is Set (thereby overriding STRAP_NT_ENABLE#)), value should be HH. and/or if the Debug Control register is programmed by serial EEPROM (thereby overriding STRAP_NT_UPSTRM_PORTSEL[1:0]), field [25:24] should be programmed to 11b.</i></p> |
| STRAP_PLL_BYPASS# | I | P18 | <p>Factory Test Only Must be pulled or tied High to VDD25.</p> |
| STRAP_PROBE_MODE# | I | U12 | <p>Factory Test Only Must be pulled or tied High to VDD25.</p> |
| STRAP_RESERVED[16, 8, 7, 4:0] | I | T13, E12, F3, V12, E2, K5, P2, J4 | <p>Factory Test Only (8 Balls) Reserved for future use Refer to Table 3-8 for specific resistor requirements.</p> |
| STRAP_RESERVED17# | I | D18 | <p>Factory Test Only Reserved for future use Refer to Table 3-8 for specific resistor requirements.</p> |

Table 3-7. Strapping Signals – 29 Balls (Cont.)

| Signal Name | Type | Location | Description |
|-----------------------|------|----------|--|
| STRAP_SERDES_MODE_EN# | I | P17 | Factory Test Only Must be pulled or tied High to VDD25. |
| STRAP_STN0_PORTCFG1 | I | R12 | Strapping Signal to Select Port Configuration for Station 0 (Number of Enabled Ports (1 or 2), and Maximum Number of Lanes for Each Specific Port) Defines the enabled Port Numbers and their Link widths, for Station 0. Programs the Port Configuration register <i>Port Configuration for Station 0</i> field (Port 0, and also NT Port Virtual Interface if Port 0 is the NT Port, offset 574h[1]; 574h[0] value must be 0) default value. L = Port 0 = x4, Port 1 = x4 H = Port 0 = x8, Port 1 is not enabled |
| STRAP_STN1_PORTCFG0 | I | B2 | Strapping Signal to Select Port Configuration for Station 1 (Number of Enabled Ports (1 or 2), and Maximum Number of Lanes for Each Specific Port) Defines the enabled Port Numbers and their Link widths, for Station 1. Programs the Port Configuration register <i>Port Configuration for Station 1</i> field (Port 0, and also NT Port Virtual Interface if Port 0 is the NT Port, offset 574h[2]; 574h[3] value must be 1) default value. L = Port 5 = x8, Port 6 is not enabled H = Port 5 = x4, Port 6 = x4 <i>Note: Port 4 is visible to software, however, it does not connect to PCI Express signals.</i> |
| STRAP_STN2_PORTCFG1 | I | B12 | Strapping Signal to Select Port Configuration for Station 2 (Number of Enabled Ports (1 or 2), and Maximum Number of Lanes for Each Specific Port) Defines the enabled Port Numbers and their Link widths, for Station 2. Programs the Port Configuration register <i>Port Configuration for Station 2</i> field (Port 0, and also NT Port Virtual Interface if Port 0 is the NT Port, offset 574h[5]; 574h[4] value must be 0) default value. L = Port 8 = x4, Port 9 = x4 H = Port 8 = x8, Port 9 is not enabled |

Table 3-7. Strapping Signals – 29 Balls (Cont.)

| Signal Name | Type | Location | Description |
|---------------------|------|-------------------|--|
| STRAP_TESTMODE[3:0] | I | J5, V2, T2, R2 | <p>Test Mode Selects (4 Balls)</p> <p>The STRAP_TESTMODE[3:0] Setting defines PEX_PORT_GOOD[9, 8, 6, 5, 1, 0]#, GPIO[11, 10, 7, 4:2], and GPIO[19:12] signal functionality following a Fundamental Reset. PEX_PORT_GOOD[9, 8, 6, 5, 1, 0]# and GPIO[19:12] signal functionality can also be programmed by serial EEPROM, I²C, or software.</p> <p>HLHH (1011b or Bh)</p> <ul style="list-style-type: none"> • PEX_PORT_GOOD[9, 8, 6, 5, 1, 0]# default to the PORT_GOOD output function • GPIO[11, 10, 7, 4:2] are GPIO inputs • GPIO[19:12] are inputs, with values reflected in the GPIO 12_19 Input Data register (offset 640h) <p>HHLL (1100b or Ch)</p> <ul style="list-style-type: none"> • PEX_PORT_GOOD[9, 8, 6, 5, 1, 0]# default to GPIO inputs, with values reflected in the GPIO 0_11 Input Data register (offset 63Ch) • GPIO[11, 10, 7, 4:2] are GPIO inputs • GPIO[19:12] default to the Serial Hot Plug PERST# output function <p>HHLH (1101b or Dh)</p> <ul style="list-style-type: none"> • PEX_PORT_GOOD[9, 8, 6, 5, 1, 0]# default to the PORT_GOOD output function • GPIO[11, 10, 7, 4:2] are GPIO inputs • GPIO[19:12] default to the Serial Hot Plug PERST# output function <p>HHHH (1111b or Fh)</p> <ul style="list-style-type: none"> • PEX_PORT_GOOD[9, 8, 6, 5, 1, 0]# and GPIO[11, 10, 7, 4:2] default to GPIO inputs, with values reflected in the GPIO 0_11 Input Data register (offset 63Ch) • GPIO[19:12] are inputs, with values reflected in the GPIO 12_19 Input Data register (offset 640h) <p>All other encodings are <i>Factory Test Only</i>.</p> |

Table 3-7. Strapping Signals – 29 Balls (Cont.)

| Signal Name | Type | Location | Description |
|---------------------------|------|-----------------------|---|
| STRAP_UPSTRM_PORTSEL[3:0] | I | D12, D17, C18, A12 | <p>Strapping Signals to Select Upstream Port (4 Balls) Select any Port as the upstream Port.</p> <p>The STRAP_UPSTRM_PORTSEL[3:0] inputs can be overridden by the serial EEPROM value for the Debug Control register <i>Upstream Port ID</i> field (Port 0, and also NT Port Virtual Interface if Port 0 is the NT Port, offset 1DCh[11:8]). If the register is programmed by serial EEPROM, that must be the first serial EEPROM entry.</p> <p>I²C can also change which Port is configured to be the upstream Port, by writing to the Debug Control register. I²C should first Set the Port's Port Control register <i>Disable Port x</i> bit (Port 0, 4, or 8, and also NT Port Virtual Interface if Port 0 is the NT Port, offset 234h[18:16]), to prevent linkup and Host enumeration. After I²C re-configures the PEX 8624, I²C should lastly Clear the upstream Port's <i>Disable Port x</i> bit.</p> <p>Software can also change which Port is configured to be the upstream Port, by writing to the Debug Control register, if the register's <i>Hardware/Software Configuration Mode Control</i> bit (Port 0, and also NT Port Virtual Interface if Port 0 is the NT Port, offset 1DCh[15]) is already Set.</p> <p>Refer to Section 13.8, "Port Programmability," for further details.</p> <p>LLLL = Port 0 LLLH = Port 1 LHLH = Port 5 HHL = Port 6 HLLL = Port 8 HLLH = Port 9</p> <p>All other encodings are <i>reserved</i>.</p> |

Table 3-8. STRAP_RESERVED17# and STRAP_RESERVED[16, 8, 7, 4:0] Input External Pull-Up/Pull-Down Resistor Requirements

| Ball/Signal Name | Pull-Up/Pull-Down |
|-------------------|--|
| STRAP_RESERVED17# | Must be pulled or tied High. |
| STRAP_RESERVED16 | Must be tied directly to Ground (VSS). |
| STRAP_RESERVED8 | Must be pulled or tied directly to Ground (VSS). |
| STRAP_RESERVED7 | Must be pulled or tied High. |
| STRAP_RESERVED4 | Must be pulled or tied directly to Ground (VSS). |
| STRAP_RESERVED3 | Must be pulled or tied High. |
| STRAP_RESERVED2 | Must be pulled or tied High. |
| STRAP_RESERVED1 | Must be pulled or tied Low. |
| STRAP_RESERVED0 | Must be pulled or tied Low. |

3.4.5 JTAG Interface Signals

The PEX 8624 includes five signals for performing Joint Test Action Group (JTAG) boundary scan, defined in [Table 3-9](#). The JTAG interface is described in [Section 16.6, “JTAG Interface.”](#)

Table 3-9. JTAG Interface Signals – 5 Balls

| Signal Name | Type | Location | Description |
|-------------|------|----------|---|
| JTAG_TCK | I | B1 | JTAG Test Clock Input JTAG Test Access Port (TAP) Controller clock source. Frequency can be from 0 to 20 MHz. |
| JTAG_TDI | I | E1 | JTAG Test Data Input Serial input to the JTAG TAP Controller, for test instructions and data. |
| JTAG_TDO | O | C1 | JTAG Test Data Output Serial output from the JTAG TAP Controller test instructions and data. |
| JTAG_TMS | I | D1 | JTAG Test Mode Select Input decoded by the JTAG TAP Controller, to control test operations. |
| JTAG_TRST# | I | F2 | JTAG Test Reset Active-Low input used to reset the Test Access Port. When JTAG functionality is not used, the JTAG_TRST# input should be driven Low, or pulled Low to Ground (<i>VSS</i>) through a 1.5K Ω resistor, to place the JTAG TAP Controller into the <i>Test-Logic-Reset</i> state, which disables the test logic and enables standard logic operation. Alternatively, if JTAG_TRST# input is High, the JTAG TAP Controller can be placed into the <i>Test-Logic-Reset</i> state by initializing the JTAG TAP Controller's Instruction register to contain the <i>IDCODE</i> instruction, or by holding the JTAG_TMS input High for at least five rising edges of the JTAG_TCK input. |

3.4.6 I²C Slave Interface Signals

Table 3-10 defines the five signals that support the I²C Slave interface. For further details, refer to Chapter 7, “I²C Slave Interface Operation.”

Table 3-10. I²C Slave Interface Signals – 5 Balls

| Signal Name | Type | Location | Description |
|---------------|------|------------|---|
| I2C_ADDR[2:0] | I | J2, H1, H2 | <p>I²C Slave Address Bits 2 through 0 Inputs (3 Balls)</p> <p>Used to configure the PEX 8624 Slave address on the I²C Bus. If I²C configuration is used, I2C_ADDR[2:0] should be strapped to a unique address, to avoid address conflict with any other I²C devices (on the same I²C Bus segment) that have the upper four bits of their 7-bit I²C Slave address also programmed to 1101b.</p> <p>I2C_ADDR[2:0] require external pull-up or pull-down termination resistors. If I²C is not used, external termination is strongly recommended, to prevent possible Input buffer oscillation.</p> |
| I2C_SCL0 | OD | G4 | <p>I²C Serial Clock Line</p> <p>I²C Clock bidirectional Clock line. Data on the I²C-bus can be transferred at rates of up to 100 kbit/s (Standard mode).</p> <p>I2C_SCL0 requires an external pull-up resistor.</p> <p><i>Note: The PEX 8624 I²C Slave Interface can stretch the Low period of the I²C clock while a simultaneous in-band Request that also targets PEX 8624 registers is being processed.</i></p> |
| I2C_SDA0 | OD | G3 | <p>I²C Serial Data I/O</p> <p>Transmits and receives I²C data during I²C accesses to PEX 8624 registers.</p> <p>I2C_SDA0 requires an external pull-up resistor.</p> |

3.4.7 Device-Specific Signals

Table 3-11 defines the Device-Specific signals – signals that are unique to the PEX 8624.

Table 3-11. Device-Specific Signals – 23 Balls

| Signal Name | Type | Location | Description |
|----------------------|-----------|--|--|
| FATAL_ERR# | O | C13 | <p>Fatal Error Output</p> <p>Asserted Low when a Fatal error is detected in the PEX 8624 and the following conditions exist (all the same conditions that are required to send a Fatal Error Message to the Host):</p> <ul style="list-style-type: none"> Specific error is defined as <i>Fatal</i> in the Uncorrectable Error Severity register (offset FC0h), and Reporting of the specific error condition is enabled, not masked by the Uncorrectable Error Mask register's (offset FBCh) corresponding <i>Interrupt Mask</i> bit, and Device Control register <i>Fatal Error Reporting Enable</i> bit (offset 70h[2]) –or– PCI Command register <i>SERR# Enable</i> bit (offset 04h[8]) is Set <p>The Device Status register <i>Fatal Error Detected</i> bit (offset 70h[18]) is Set, and the specific error is flagged in the Uncorrectable Error Status register (offset FB8h).</p> |
| GPIO[19:12] | I/O PU | P1, U1, T1, V1, R16, U18, A17, B15 | <p>General-Purpose I/O (8 Balls)</p> <p>Default functionality is determined at Fundamental Reset; however, functionality can be switched by programming the GPIO registers using serial EEPROM, I²C, and/or software.</p> <p>GPIO[19:12] provide GPIO input functionality, by default, when the STRAP_TESTMODE[3:0] inputs, sampled at Fundamental Reset (PEX_PERST# input de-assertion), are a value of 1011b or 1111b (Bh or Fh, respectively).</p> <p>Alternatively, when the STRAP_TESTMODE[3:0] inputs, sampled at Fundamental Reset, are a value of 1100b or 1101b (Ch or Dh, respectively), GPIO[19:12] function as Serial Hot Plug PERST# Reset outputs (similar to HP_PERST_x# outputs), by default, for corresponding Ports that include an external I²C I/O Expander. If an external I²C I/O Expander is not present for a Port, the corresponding GPIO[19:12] output remains Low (the Serial Hot Plug PERST# output for that Port is not de-asserted).</p> <p>If Serial Hot Plug is implemented (using external I²C I/O Expanders), it is recommended that the GPIO[19:12] signals be strapped as Serial Hot Plug PERST# Reset outputs and routed to the slots, rather than using the PERST# outputs from the I/O Expanders.</p> |
| GPIO[11, 10, 7, 4:2] | I/O PU | T17, R17, J1, H5, L5, L1 | <p>General-Purpose I/O (6 Balls)</p> <p>GPIO[11, 10, 7, 4:2] provide GPIO functionality, determined according to the GPIO registers associated with each GPIO (offsets 62Ch, 630h, and 638h through 654h).</p> <p><i>Note: If PEX_PORT_GOODx# functionality is enabled, GPIO4# output is always High.</i></p> |

Table 3-11. Device-Specific Signals – 23 Balls (Cont.)

| Signal Name | Type | Location | Description |
|---------------|------|----------|--|
| PEX_INTA# | OD | G5 | <p>Interrupt Output</p> <p>PEX_INTA# Interrupt output is enabled if:</p> <ul style="list-style-type: none"> INT_x Messages are enabled and MSIs are disabled (PCI Command register <i>Interrupt Disable</i> and MSI Control register <i>MSI Enable</i> bits, offsets 04h[10] and 48h[16], respectively, are both Cleared) PEX_INTA# output (ECC Error Check Disable register <i>Enable PEX_INTA# Interrupt Output(s) for x Interrupt</i> bit(s), offset 1C8h[7, 6, 5, and/or 4]) is enabled (refer to the register description, for Port associations) <p>The three interrupt mechanisms, listed below, are mutually exclusive modes of operation, on a per-Port basis, for all interrupt sources:</p> <ul style="list-style-type: none"> Conventional PCI INT_x Message generation Native MSI transaction generation Device-Specific PEX_INTA# assertion <p>PEX_INTA# assertion (Low) indicates that one or more of the following events and/or errors (if not masked) were detected:</p> <ul style="list-style-type: none"> Hot Plug or Link State events PCI Express Hot Plug events General-Purpose Input Interrupt events Device-Specific errors NT-Virtual Doorbell events NT-Link Doorbell events Device-Specific NT Port Link Interface errors and events <p>Refer to Section 9.1.1, “Interrupt Sources or Events,” for details.</p> |
| PEX_NT_RESET# | O | V14 | <p>Active-Low Output Used to Propagate Reset in NT Mode</p> <p>Pulse width is 1 μs.</p> |

Table 3-11. Device-Specific Signals – 23 Balls (Cont.)

| Signal Name | Type | Location | Description |
|----------------------------------|-----------|-----------------------------|--|
| PEX_PORT_GOOD[9, 8, 6, 5, 1, 0]# | I/O PU | T18, R18, H4, H3, F1, G1 | <p>Active-Low PCI Express Port Linkup Status Indicator Outputs for Ports 9, 8, 6, 5, 1, and 0 –or– Programmable General-Purpose I/O (6 Balls)</p> <p>PEX_PORT_GOOD[9, 8, 6, 5, 1, 0]# function as general-purpose inputs, interrupt inputs, general-purpose outputs, or as the PORT_GOOD output function, as outlined below.</p> <p>If the Port is <i>not</i> enabled, the signal defaults to GPIOx input (default value 0).</p> <p>General-Purpose Inputs</p> <p>For PEX_PORT_GOOD[9, 8, 6, 5, 1, 0]# signals that are configured as general-purpose inputs (by STRAP_TESTMODE[3:0] inputs, sampled at Fundamental Reset with a value of 1111b or 1100b, or by subsequent programming (by serial EEPROM, I²C, and/or software) of the appropriate GPIO x Direction Control register (Port 0, and also NT Port Virtual Interface if Port 0 is the NT Port, offset 62Ch) <i>Direction Control</i> bits), input states are reflected in the GPIO 0_11 Input Data register (Port 0, and also NT Port Virtual Interface if Port 0 is the NT Port, offset 63Ch[9, 8, 6, 5, 1, 0], respectively).</p> <p>Inputs can be internally de-bounced, by Setting the corresponding GPIO 0_19 Input De-Bounce register bits (Port 0, and also NT Port Virtual Interface if Port 0 is the NT Port, offset 638h[11:0], respectively). De-bouncing is disabled, by default; if de-bouncing is enabled, an input must be stable for approximately 1.3 ms to be latched.</p> <p>Interrupt Inputs</p> <p>For PEX_PORT_GOOD[9, 8, 6, 5, 1, 0]# signals that are configured as Interrupt inputs in the GPIO x Direction Control registers, input states are reflected in the GPIO 0_19 Interrupt Status register (Port 0, and also NT Port Virtual Interface if Port 0 is the NT Port, offset 650h[9, 8, 6, 5, 1, 0] respectively).</p> <p>Inputs can be internally de-bounced, by Setting the corresponding GPIO 0_19 Input De-Bounce register bits (Port 0, and also NT Port Virtual Interface if Port 0 is the NT Port, offset 638h[9, 8, 6, 5, 1, 0], respectively). De-bouncing is disabled, by default; if de-bouncing is enabled, an input must be stable for approximately 1.3 ms to be latched.</p> <p>Interrupt polarity (Active-High or Active-Low) is individually programmable in the GPIO 0_19 Interrupt Polarity register (Port 0, and also NT Port Virtual Interface if Port 0 is the NT Port, offset 64Ch[9, 8, 6, 5, 1, 0] respectively). Interrupt generation can be selectively masked in the GPIO 0_19 Interrupt Mask register (Port 0, and also NT Port Virtual Interface if Port 0 is the NT Port, offset 654h[9, 8, 6, 5, 1, 0] respectively).</p> <p style="text-align: right;">Continued...</p> |

Table 3-11. Device-Specific Signals – 23 Balls (Cont.)

| Signal Name | Type | Location | Description |
|----------------------------------|-----------|-----------------------------|---|
| PEX_PORT_GOOD[9, 8, 6, 5, 1, 0]# | I/O PU | T18, R18, H4, H3, F1, G1 | <p>Continued...</p> <p>General-Purpose Outputs</p> <p>For PEX_PORT_GOOD[9, 8, 6, 5, 1, 0]# signals that are configured as general-purpose outputs (in the GPIO x Direction Control registers, output states are controlled by the corresponding GPIO 0_11 Output Data register bit (Port 0, and also NT Port Virtual Interface if Port 0 is the NT Port, offset 644h[9, 8, 6, 5, 1, 0], respectively) values.</p> <p>PORT_GOOD Output Function</p> <p>For PEX_PORT_GOOD[9, 8, 6, 5, 1, 0]# signals that correspond to enabled Ports and are configured for PORT_GOOD functionality (by STRAP_TESTMODE[3:0] inputs, sampled at Fundamental Reset with a value of 1011b or 1101b, or by subsequent programming (by serial EEPROM, I²C, and/or software) of the appropriate GPIO x Direction Control register (Port 0, and also NT Port Virtual Interface if Port 0 is the NT Port, offsets 62Ch value).</p> <p>The PEX_PORT_GOOD[9, 8, 6, 5, 1, 0]# output states are not directly available from a single register (due to encoded, possibly blinking output); however, software can determine LANE_GOOD status (PHY Link status for each Lane) from the Station 0/1 Lane Status and Station 2 Software Lane Status registers (Port 0, and also NT Port Virtual Interface if Port 0 is the NT Port, offsets 1F4h and 270h). Software can also determine the Port's Maximum Link Width and Supported Link Speeds from the Port's Link Capability register (offset 74h[9:4 and 3:0], respectively, as well as the Port's Negotiated Link Width and Current Link Speed from the Port's Link Status register (offset 78h[25:20 and 19:16], respectively). The NT Port Virtual Interface Link Capability and Link Status registers follow the NT Port Link Interface configuration, and contain the same values as the corresponding NT Port Link Interface registers.</p> <p>If PORT_GOOD functionality is enabled, but some Ports are not enabled due to the STRAP_STN_x_PORTCFG_x input levels, the PEX_PORT_GOOD[9, 8, 6, 5, 1, 0]# signals associated with non-enabled Ports function as GPIO_x input.</p> <p>Note: If PEX_PORT_GOOD_x# functionality is enabled, GPIO4 output is always High.</p> <p>LED behavior when connected to PEX_PORT_GOOD[9, 8, 6, 5, 1, 0]# signals:</p> <ul style="list-style-type: none"> • Off – Link is down • On – Link is up, 5.0 GT/s, all Lanes are up • Blinking, 0.5 seconds On, 0.5 seconds Off – Link is up, 5.0 GT/s, reduced Lanes are up • Blinking, 1.5 seconds On, 0.5 seconds Off – Link is up, 2.5 GT/s, all Lanes are up • Blinking, 0.5 seconds On, 1.5 seconds Off – Link is up, 2.5 GT/s, reduced Lanes are up |

3.4.8 External Resistor Signals

Table 3-12. External Resistor Signals – 6 Balls

| Signal Name | Type | Location | Description |
|-----------------|------|-------------|---|
| REXT_A[4, 3, 0] | A | J15, D7, R7 | <p>External Resistor Balls (3 Balls) One pair per SerDes block (paired with the “B” signal). Do not connect to any other signal, power, nor Ground. Must attach a 1.43KΩ 1% resistor between each REXT_A and REXT_B pair.</p> |
| REXT_B[4, 3, 0] | A | J14, E7, P7 | <p>External Resistor Balls (3 Balls) One pair per SerDes block (paired with the “A” signal). Do not connect to any other signal, power, nor Ground. Must attach a 1.43KΩ 1% resistor between each REXT_A and REXT_B pair.</p> |

3.4.9 No Connect Signals

Caution: Do not connect these balls to board electrical paths.
These balls are internally connected to the device.

Table 3-13. No Connect Signals – 15 Balls

| Signal Name | Type | Location | Description |
|----------------|-----------------|-----------------------------------|--|
| N/C | <i>Reserved</i> | A7, B7, F7, J13, J17, J18, L3, N7 | No Connect (8 Balls) Do not connect these balls to board electrical paths. |
| SPARE[4:0] | I/O PU | R13, L4, K3, K1, G2 | Spare (5 Balls) <i>Reserved for future use</i> Do not connect these balls to board electrical paths. SPARE4 Only: When SPARE4 is pulled High, the Data Rate Identifier symbol in the TS Ordered-Sets always advertises support for both the Gen 2 data rate and Autonomous Change. When SPARE4 is pulled Low, if this Link training sequence fails during the <i>Configuration</i> state, the next time the Link Training and Status State Machine (LTSSM) exits the <i>Detect</i> state, TS Ordered-Sets advertise only the Gen 1 data rate, and no Autonomous Change support. The LTSSM then continues to toggle between Gen 1 and Gen 2 advertisement every time it exits the <i>Detect</i> state. <i>Note: This feature should be enabled only if a non-compliant device will not linkup if these Data Rate Identifier bits are Set.</i> |
| THERMAL_DIODEn | <i>Reserved</i> | P13 | No Connect Factory Test Only Do not connect this ball to board electrical paths. |
| THERMAL_DIODEp | <i>Reserved</i> | V13 | No Connect Factory Test Only Do not connect this ball to board electrical paths. |

3.4.10 Power and Ground Signals

Table 3-14. Power and Ground Signals – 105 Balls

| Signal Name | Type | Location | Description |
|-------------|--------|--|---|
| VDD10 | CPWR | G7, G9, G11, H8, H10, H12, J7, J9, J11, K8, K10, K12, L7, L9, L11, M8, M10, M12 | 1.0V ±5% Power for Core and SerDes Digital Logic (18 Balls) |
| VDD10A | APWR | F6, F10, F12, G13, H6, K6, L13, M6, N9, N11 | 1.0V ±5% Power for SerDes Analog Circuits (10 Balls) |
| VDD25 | I/OPWR | F5, F13, N5, N13, T15 | 2.5V ±10% Power for I/O Logic Functions (5 Balls) |
| VDD25A | PLLWR | F8, K13, N8 | 2.5V ±10% Power for Phase-Locked Loop (PLL) Circuits (3 Balls) |
| VSS | GND | A15, C3, C4, C5, C6, C7, C8, C9, C10, C11, C12, D14, D15, D16, E13, E16, F4, F9, F11, F16, G6, G8, G10, G12, G16, H7, H9, H11, H13, H16, J3, J6, J8, J10, J12, J16, K7, K9, K11, K16, L6, L8, L10, L12, L16, M7, M9, M11, M13, M16, N4, N6, N10, N12, N16, P14, P15, P16, T3, T4, T5, T6, T7, T8, T9, T10, T11, T12, T16 | Ground Connections (69 Balls) |

3.5 Physical Layout

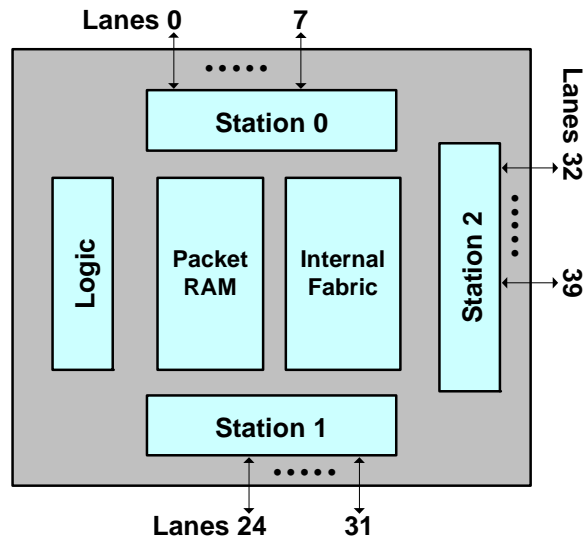
Figure 3-1. Physical Ball Assignment (See-Through Top View)

| | 1 | 2 | 3 | 4 | 5 | 6 | 7 | 8 | 9 | 10 | 11 | 12 | 13 | 14 | 15 | 16 | 17 | 18 | |
|---|-----------------|--------------------------|------------------|------------------|------------------|-------------|-------------|-------------|-------------|-------------|-------------|-------------------------|-------------------|---------------|-------------|---------------|-------------------------|-------------------------|---|
| A | SHPC_INT# | STRAP_NT_ENABLE# | PEX_PETn2_4 | PEX_PETn2_5 | PEX_PETn2_6 | PEX_PETn2_7 | N/C | PEX_PETn2_8 | PEX_PETn2_9 | PEX_PETn3_0 | PEX_PETn3_1 | STRAP_UPS_TRM_PORT_SEL0 | HP_ATNLED_C# | HP_BUTTON_C# | VSS | HP_PRSNT_C# | GPIO13 | HP_CLKEN_C# | A |
| B | JTAG_TCK | STRAP_STN1_PORTCFG0 | PEX_PETp2_4 | PEX_PETp2_5 | PEX_PETp2_6 | PEX_PETp2_7 | N/C | PEX_PETp2_8 | PEX_PETp2_9 | PEX_PETp3_0 | PEX_PETp3_1 | STRAP_STN2_PORTCFG1 | HP_PERST_C# | HP_PWREN_C | GPIO12 | HP_PWRLED_C# | EE_SK | EE_CS# | B |
| C | JTAG_TDO | STRAP_NT_UPSTRM_PORTSEL0 | VSS | VSS | VSS | VSS | VSS | VSS | VSS | VSS | VSS | VSS | FATAL_ERR# | HP_PWRFLT_C# | EE_DI | HP_PWR_GOOD_C | EE_DO | STRAP_UPS_TRM_PORT_SEL1 | C |
| D | JTAG_TMS | STRAP_NT_UPSTRM_PORTSEL1 | PEX_PERn2_4 | PEX_PERn2_5 | PEX_PERn2_6 | PEX_PERn2_7 | REXT_A3 | PEX_PERn2_8 | PEX_PERn2_9 | PEX_PERn3_0 | PEX_PERn3_1 | STRAP_UPS_TRM_PORT_SEL3 | HP_MRL_C# | VSS | VSS | VSS | STRAP_UPS_TRM_PORT_SEL2 | STRAP_RES_ERVED17# | D |
| E | JTAG_TDI | STRAP_RES_ERVED3 | PEX_PERp2_4 | PEX_PERp2_5 | PEX_PERp2_6 | PEX_PERp2_7 | REXT_B3 | PEX_PERp2_8 | PEX_PERp2_9 | PEX_PERp3_0 | PEX_PERp3_1 | STRAP_RES_ERVED8 | VSS | PEX_PERp3_9 | PEX_PERn3_9 | VSS | PEX_PETp3_9 | PEX_PETn3_9 | E |
| F | PEX_PORT_GOOD1# | JTAG_TRST# | STRAP_RES_ERVED7 | VSS | VDD25 | VDD10A | N/C | VDD25A | VSS | VDD10A | VSS | VDD10A | VDD25 | PEX_PERp3_8 | PEX_PERn3_8 | VSS | PEX_PETp3_8 | PEX_PETn3_8 | F |
| G | PEX_PORT_GOOD0# | SPARE0 | I2C_SDA0 | I2C_SCL0 | PEX_INTA# | VSS | VDD10 | VSS | VDD10 | VSS | VDD10 | VSS | VDD10A | PEX_PERp3_7 | PEX_PERn3_7 | VSS | PEX_PETp3_7 | PEX_PETn3_7 | G |
| H | I2C_ADDR1 | I2C_ADDR0 | PEX_PORT_GOOD5# | GPIO4 | VDD10A | VSS | VDD10 | VSS | VDD10 | VSS | VDD10 | VSS | VDD10 | PEX_PERp3_6 | PEX_PERn3_6 | VSS | PEX_PETp3_6 | PEX_PETn3_6 | H |
| J | GPIO7 | I2C_ADDR2 | VSS | STRAP_RES_ERVED0 | STRAP_TSMODE3 | VSS | VDD10 | VSS | VDD10 | VSS | VDD10 | VSS | N/C | REXT_B4 | REXT_A4 | VSS | N/C | N/C | J |
| K | SPARE1 | HP_ATNLED_B# | SPARE2 | HP_PWR_GOOD_B | STRAP_RES_ERVED2 | VDD10A | VSS | VDD10 | VSS | VDD10 | VSS | VDD10 | VDD25A | PEX_PERp3_5 | PEX_PERn3_5 | VSS | PEX_PETp3_5 | PEX_PETn3_5 | K |
| L | GPIO2 | HP_MRL_B# | N/C | SPARE3 | GPIO3 | VSS | VDD10 | VSS | VDD10 | VSS | VDD10 | VSS | VDD10A | PEX_PERp3_4 | PEX_PERn3_4 | VSS | PEX_PETp3_4 | PEX_PETn3_4 | L |
| M | HP_BUTTON_B# | HP_PRSNT_B# | PEX_PERST# | HP_PWREN_B | HP_PWRFLT_B# | VDD10A | VSS | VDD10 | VSS | VDD10 | VSS | VDD10 | VSS | PEX_PERp3_3 | PEX_PERn3_3 | VSS | PEX_PETp3_3 | PEX_PETn3_3 | M |
| N | HP_PERST_B# | HP_PWRLED_B# | STRAP_DEBUG_SEL1 | VSS | VDD25 | VSS | N/C | VDD25A | VDD10A | VSS | VDD10A | VSS | VDD25 | PEX_PERp3_2 | PEX_PERn3_2 | VSS | PEX_PETp3_2 | PEX_PETn3_2 | N |
| P | GPIO19 | STRAP_RES_ERVED1 | PEX_PERp0 | PEX_PERp1 | PEX_PERp2 | PEX_PERp3 | REXT_B0 | PEX_PERp4 | PEX_PERp5 | PEX_PERp6 | PEX_PERp7 | STRAP_FAST_BRINGUP# | THERMAL_DIODEn | VSS | VSS | VSS | STRAP_SERDES_MODE_EN# | STRAP_PLL_BYPASS# | P |
| R | HP_CLKEN_B# | STRAP_TSMODE0 | PEX_PERn0 | PEX_PERn1 | PEX_PERn2 | PEX_PERn3 | REXT_A0 | PEX_PERn4 | PEX_PERn5 | PEX_PERn6 | PEX_PERn7 | STRAP_STN0_PORTCFG1 | SPARE4 | HP_PWR_GOOD_A | HP_MRL_A# | GPIO15 | GPIO10 | PEX_PORT_GOOD8# | R |
| T | GPIO17 | STRAP_DEBUG_SEL0 | VSS | VSS | VSS | VSS | VSS | VSS | VSS | VSS | VSS | VSS | STRAP_RES_ERVED16 | HP_PWRLED_A# | VDD25 | VSS | GPIO11 | PEX_PORT_GOOD9# | T |
| U | GPIO18 | STRAP_DEBUG_SEL0 | PEX_PETp0 | PEX_PETp1 | PEX_PETp2 | PEX_PETp3 | PEX_REFCLKp | PEX_PETp4 | PEX_PETp5 | PEX_PETp6 | PEX_PETp7 | STRAP_PROBE_MODE# | I2C_SDA1 | I2C_SCL1 | HP_PWREN_A | HP_ATNLED_A# | HP_BUTTON_A# | GPIO14 | U |
| V | GPIO16 | STRAP_TSMODE2 | PEX_PETn0 | PEX_PETn1 | PEX_PETn2 | PEX_PETn3 | PEX_REFCLKn | PEX_PETn4 | PEX_PETn5 | PEX_PETn6 | PEX_PETn7 | STRAP_RES_ERVED4 | THERMAL_DIODEp | PEX_NT_RESET# | HP_CLKEN_A# | HP_PERST_A# | HP_PWRFLT_A# | HP_PRSNT_A# | V |

4.1 Hardware Architecture

The PEX 8624 is designed with a flexible, modular architecture. The 24 PCI Express Lanes are implemented equally across three Stations (8 per Station), which are connected to one another by the internal fabric to the central RAM. Figure 4-1 provides a block diagram of the PEX 8624.

Figure 4-1. PEX 8624 Block Diagram



4.1.1 Station and Port Functions

Each Port implements the *PCI Express Base r2.0* Physical, Data Link, and Transaction Layers (PHY, DLL, and TL, respectively). Each PCI Express Station supports up to 8 integrated Serializer/De-Serializer (SerDes) modules, which provide the 24 PCI Express hardware interface Lanes. The Lanes can be combined, for a total of one to two PCI Express Ports per Station.

4.1.1.1 Port Configurations

[Table 4-1](#) defines the PEX 8624 Port, Station, and Lane configurations. Each Station's Port configuration is independent of the other Stations' Port configurations. Ports that are not configured nor enabled are invisible to software.

The upstream and downstream Ports' Link widths are initially defined by the STRAP_STN_x_PORTCFG_x inputs, which are pulled or tied High to VDD25 or Low to VSS (GND). The serial EEPROM option can be used to re-configure the Ports, with the options defined in [Table 4-1](#). Serial EEPROM configuration occurs following a Fundamental Reset, and overrides the configuration defined by the STRAP_STN_x_PORTCFG_x inputs at that time. Port configuration can also be changed through the I²C Slave interface. The final Link width can be automatically negotiated down from the programmed width, through Link-width negotiation for linkup to a device with fewer Lanes. The narrowest Port on one end of the Link determines the maximum Link width. Additionally, if a connection is broken on one of the Lanes, the training sequence removes the broken Lane and negotiates to a narrower Link width. A x8 Port can negotiate down to x4, x2, or x1.

If the Port cannot train to x1 (Lane 0 is broken), the Port reverses its Lanes and attempts to retrain. *For example*, a x8 Port that cannot train to x8 attempts to negotiate down to x4, x2, or x1; if x1 linkup fails, the Port reverses its Lanes and re-attempts linkup negotiation. Either the lowest Lane (Lane 0) or highest Lane (if Lanes are reversed) of the programmed Link width must connect to the other device's Lane 0.

Each Port can run independently at Gen 1 (2.5 GT/s) or Gen 2 (5.0 GT/s) speed.

Notes: *Yellow-highlighted cells in [Table 4-1](#) indicate the default Hot Plug Port for that configuration.*

The six PEX 8624 Ports that connect to PCI Express Transmitters and Receivers are Ports 0, 1, 5, 6, 8, and 9, and each Port has its own set of registers. An additional set of Port 4 registers is visible to software, although the Port is not connected to external signals. The Port 4 registers include:

- *Other Device-Specific registers.*
- *“Station” registers, that control all Ports in Station 1 (Ports 5 and 6), and are identical to the Port 0 registers that control all Ports in Station 0 (Ports 0 and 1) and Port 8 registers that control all Ports in Station 2 (Ports 8 and 9). The Station registers include Physical Layer registers, Device-Specific Error registers, and internal mapping (CAM) registers.*

Table 4-1. Port Configurations

| Port Configuration Strapping STRAP_STN0_PORTCFG1, STRAP_RESERVED4 | Port Configuration Register Value Port 0, Offset 574h[23:20, 1:0] | Station 0 [Lanes/SerDes]/Port | | |
|---|--|----------------------------------|---------------|---------------|
| | | Port 0 | Port 1 | – |
| 0, 0 | 0h, 00b | x4 [0-3] | x4 [4-7] | |
| 1, 0 | 0h, 10b | x8 [0-7] | | |
| Port Configuration Strapping STRAP_RESERVED7, STRAP_STN1_PORTCFG0 | Port Configuration Register Value Port 0, Offset 574h[27:24, 3:2] | Station 1 [Lanes/SerDes]/Port | | |
| | | Port 4 | Port 5 | Port 6 |
| 1, 0 | 0h, 10b | <i>Software Only</i> | x8 [24-31] | |
| 1, 1 | 0h, 11b | <i>Software Only</i> | x4 [24-27] | x4 [28-31] |
| Port Configuration Strapping STRAP_STN2_PORTCFG1, STRAP_RESERVED8 | Port Configuration Register Value Port 0, Offset 574h[31:28, 5:4] | Station 2 [Lanes/SerDes]/Port | | |
| | | Port 8 | Port 9 | – |
| 0, 0 | 0h, 00b | x4 [32-35] | x4 [36-39] | |
| 1, 0 | 0h, 10b | x8 [32-39] | | |

Notes:

- The Lanes are assigned to each enabled Port in sequence, as indicated in [brackets].
- Refer to [Table 4-2](#) for an explanation of the Port/Physical Lane/SerDes Module/Station to SerDes Quad relationship, when all Ports are enabled.

Table 4-2. Port/Physical Lane/SerDes Module/Station/SerDes Quad Relationship, when All Ports Are Enabled

| Physical Lanes and SerDes Modules, by Port | | | | | | SerDes Quad |
|--|-----------------------------------|-------------------|-----------------------------------|-------------------|-----------------------------------|-------------|
| Station 0, Port 0 | | Station 1, Port 4 | | Station 2, Port 8 | | |
| Port | Physical Lanes and SerDes Modules | Port | Physical Lanes and SerDes Modules | Port | Physical Lanes and SerDes Modules | |
| 0 | 0-3 | – | <i>Factory Test Only</i> | 8 | 32-35 | 0 |
| 1 | 4-7 | – | <i>Factory Test Only</i> | 9 | 36-39 | 1 |
| – | <i>Factory Test Only</i> | 5 | 24-27 | – | <i>Factory Test Only</i> | 2 |
| – | <i>Factory Test Only</i> | 6 | 28-31 | – | <i>Factory Test Only</i> | 3 |

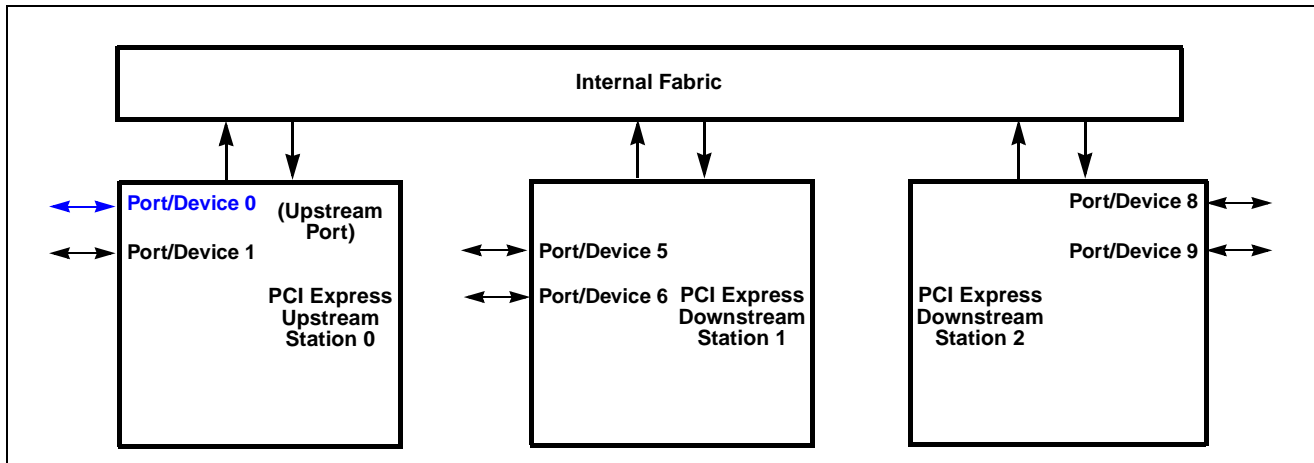
4.1.1.2 Port Numbering

The PEX 8624 Port Numbers are 0 and 1 (Station 0), 5 and 6 (Station 1), and 8 and 9 (Station 2). (Refer to [Table 4-1](#) and [Figure 4-2](#).)

The Port Numbers have a direct relationship to the downstream Ports for the PCI Device Number assigned to the internal PCI-to-PCI bridges on the internal virtual PCI Bus. *For example*, if Port 5 is a downstream Port, the PCI-to-PCI bridge associated with that Port is Device Number 5. Each downstream Device Number matches its corresponding Port Number. *For example*, if Port 0 is the upstream Port, Ports 1, 5, 6, 8, and 9 are the downstream Ports. The Device Numbers for the PCI-to-PCI bridges implemented on the downstream Ports are 1, 5, 6, 8, and 9, respectively. (Refer to [Figure 4-2](#).)

Any PEX 8624 Port can be configured as, or dynamically changed to be, the upstream Port (Port 0 is recommended). The PCI-to-PCI bridge implemented on the upstream Port does not assume a Device Number – it accepts the Device Number assigned by the upstream device. Generally, the upstream device assigns Device Number 0, according to the *PCI Express Base r2.0*.

Figure 4-2. Port Numbering Convention Example (When Port 0 Is Upstream Port)



4.2 PCI Express Station Functional Description

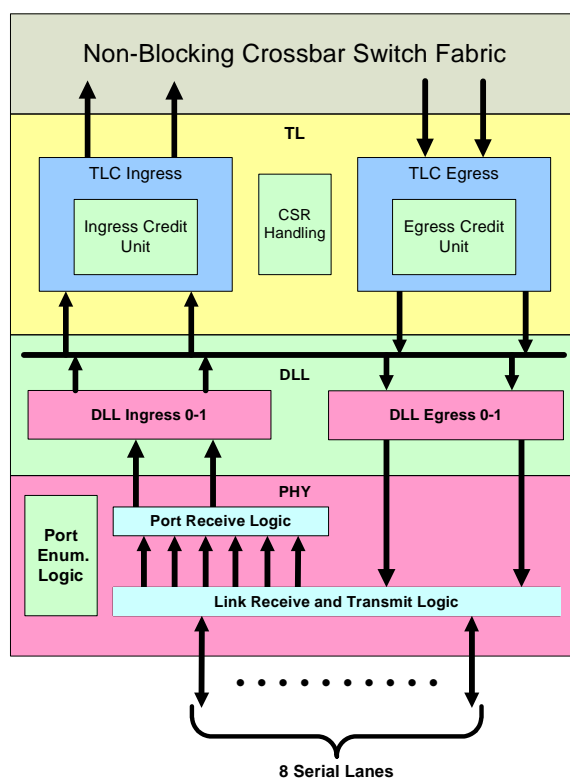
The PEX 8624 groups 8 SerDes together into a Station. Each Station can be comprised of one to two PCI Express Ports. (Refer to [Table 4-1](#).) The Station forwards ingress packets to the internal crossbar fabric and central RAM, and the Station pulls egress packets from the central RAM to send out of the PEX 8624.

Each Station implements the PCI Express PHY and DLL functions for each of its Ports, and aggregates traffic from these Ports onto a transaction-based, non-blocking internal fabric. The PCI Express Station also performs many TL functions, while the packet queuing and ordering aspects of this layer are handled by the Crossbar Switch Control blocks.

During system initialization, software initiates Configuration Requests that set up the PCI Express interfaces, Device Numbers, and Address maps across the various Ports. These maps are used to direct traffic between Ports during standard system operation. Traffic flow between Ports within the same Station, or Ports on different Stations, is supported through the central internal fabric.

At the top level, each Station has a layered organization consisting of the PHY, DLL, and TL blocks, as illustrated in [Figure 4-3](#). The PHY and DLL blocks have Port-specific data paths (one per PCI Express Port) that operate independently of one another. The Transaction Layer Control (TLC) ingress section of the TL block aggregates traffic for all ingress Ports within the Station, then sends the traffic to the internal crossbar fabric. The TLC egress section of the TL block accepts packets, by way of the internal crossbar fabric, from all ingress Ports, and schedules them to be sent out the appropriate egress Port.

Figure 4-3. PCI Express Station Block Diagram



4.3 Physical Layer

The Physical Layer (PHY) converts information received from the DLL into an appropriate serialized format and transmits it across the PCI Express Link. The PHY also receives the serialized input from the Serializer/De-Serializer (SerDes), converts it to parallel data (internal Data Bus), then writes it to the Transaction Layer Control (TLC) Ingress buffer.

The PHY includes all circuitry for PCI Express Link Interface operation, including:

- Driver and input buffers
- Parallel-to-serial and serial-to-parallel conversion
- Phase-Locked Loops (PLLs) and clock circuitry
- Impedance matching circuitry
- Interface initialization and maintenance functions

4.3.1 Physical Layer Features

The PHY module interfaces to the PCI Express Lanes and implements the PHY functions. The number of PCI Express Ports is one to two per Station, with a cumulative Lane bandwidth of x8 on each Station. PHY functions include:

- SerDes modules, which provide all functions required by the *PCI Express Base r2.0*
- User-configurable Port division
- Link widths – x4 or x8; widths of x1 and x2 are also supported
- Link speeds supported
 - 2.5 GT/s
 - 5.0 GT/s
- Hardware Link training and initialization
- Hardware detection of polarity reversal
- Hardware detection of Lane reversal
- Hardware Autonomous Speed Control supported
- Dynamic Link speed control supported
- Dynamic Link width supported
- Data scrambling/de-scrambling and 8b/10b encode/decode
- Packet framing
- Loopback Master and Slave support
- Programmable test pattern with SKIP Ordered-Set insertion and return data checking
- Receiver error checking (Elastic buffer over/underflow, disparity, and symbol encoding)
- Modified Compliance Pattern support with Receiver Error Counters, per Lane
- Link state Power Management (PM) – Supports L0, L0s, L1, L2/L3 Ready, and L3 Link PM states
- Supports cross-linked upstream Port and downstream Ports

4.3.2 Physical Layer Status and Command Registers

The PHY operating conditions are defined in:

- [Section 12.14.2, “Device-Specific Registers – Physical Layer \(Offsets 200h – 25Ch\)”](#)
- [Section 12.14.4, “Device-Specific Registers – Physical Layer \(Offsets 270h – 28Ch\)”](#)

The System Host can track the Link operating status and re-configure Link parameters, by way of these registers.

4.3.3 Hardware Link Interface Configuration

The PHY can include up to eight integrated SerDes modules on each Station, which are distributed among four SerDes quads (Quads 0, 1, 2, and 3) and provide the PCI Express hardware interface Lanes. (Refer to [Table 4-2](#), which lists the relationship of the SerDes modules and quads to the Stations and 24 Lanes, when all Ports are enabled.) The SerDes modules also provide all physical communication controls and functions required by the *PCI Express Base r2.0*, as well as the Links (clustered into Ports) that connect the PEX 8624 to other PCI Express devices.

The quantity of Ports, and Link widths associated with those Ports, are configurable, on a Station-by-Station basis. Initial Port configuration is determined by the STRAP_STN_x_PORTCFG_x inputs, serial EEPROM, or auto Link-width negotiation. After the PEX 8624 Ports are configured using the auto-negotiation process, the Link widths can narrow or widen (by combining multiple adjacent Lanes within the Station).

4.4 Transaction Layer

The upper layer of the architecture is the Transaction Layer (TL). The TL assembles and disassembles TLPs, which are used to communicate transactions, *such as* Read and Write, as well as certain types of events. The TL also manages credit-based Flow Control (FC) for TLPs.

The TL supports four Address spaces – it includes the three PCI Address spaces (Configuration, Input/Output, and Memory) and adds a Message space. (Refer to [Table 4-3](#).) This specification uses Message space to support all prior sideband signals, *such as* interrupts, Power Management (PM) Requests, and so forth, as in-band Message transactions. PCI Express Message transactions are considered *virtual wires* that support *virtual pins*. As virtual wires, Assert and De-assert Messages are sent when a triggering event changes the wire's state.

Table 4-3. Address Spaces Support Differing Transaction Types

| Address Space | Transaction Types | Transaction Functions |
|---------------|------------------------|--|
| Configuration | Read/Write | Device configuration or setup |
| Input/Output | | Transfers data from/to an I/O space |
| Memory | | Transfers data from/to a memory location |
| Message | Baseline/Virtual Wires | General-purpose Messages Event signaling (status, interrupts, and so forth) |

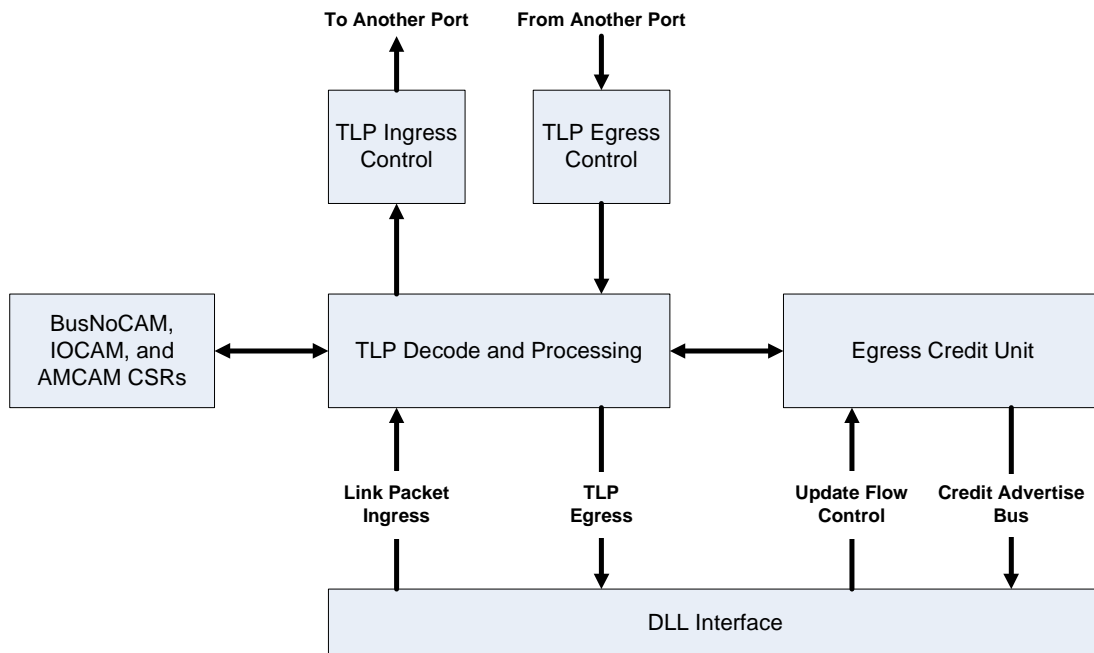
All Request packets requiring a Response packet are implemented as Split Transactions. Each packet has a unique identifier that enables Response packets to be directed to the correct originator. The packet format supports various forms of addressing, depending upon the transaction type – *Memory, I/O, Configuration, or Message*.

TL functions include:

- Decoding and checking rules for the incoming TLP
- Memory-Mapped Configuration Space register (CSR) access
- Checking incoming packets for malformed or unsupported packets
- Data Poisoning and end-to-end data integrity detection
- End-to-end Cyclic Redundancy Check (ECRC) of incoming packets
- Error logging and reporting for incoming packets
- TLP dispatching
- Write control to the packet RAM and packet Link List RAM
- Destination lookup and TC-VC mapping
- Shadow CSRs for BusNoCAM/IOCAM/AMCAM/TC-VC mapping
- Credit-based scheduling
- Pipelined full Split Transaction protocol
- PCI/PCI-X-compatible ordering
- Interrupt handling (INTx or Message Signaled Interrupts (MSIs))
- Power Management (PM) support
- Hot Plug and PCI Express Hot Plug event support
- Link State event support
- QoS support
- Ordering
- Ingress and Egress credit management

The hardware functions provided by the PEX 8624 to implement the *PCI Express Base r2.0* TL requirements are illustrated in Figure 4-4. The blocks provide a combination of ingress and egress control, as well as the data management at each stage within the flow sequence.

Figure 4-4. TL Controller



4.4.1 Locked Transactions

The PEX 8624 understands Locked transactions; however, it does not lock the resources. This is consistent with limitations for Locked transaction use, as outlined in the *PCI r3.0* (Appendix F, “Exclusive Accesses”), and prevents potential deadlock, as well as serious performance degradation, that could occur with Locked transaction use.

4.4.2 Relaxed Ordering

The PEX 8624 supports Relaxed Ordering for Completions. By default, if the RO attribute is Set within a Completion, then that Completion can bypass Posted transactions, if Posted TLPs are blocked at the egress Port (due to insufficient Posted credits from the connected device). This behavior can be disabled, by Setting the **Ingress Control Shadow** register *No Special Treatment for Relaxed Ordering Traffic* bit (Port 0, 4, or 8, and also NT Port Virtual Interface if Port 0 is the NT Port, offset 664h[5]), in each Station.

4.4.3 TL Transmit/Egress Protocol – End-to-End Cyclic Redundancy Check

End-to-End Cyclic Redundancy Check (ECRC) is an optional 32-bit field appended to the end of the outgoing packet. ECRC is calculated over the entire packet, starting with the Header and including the Data Payload, except for the *Endpoint (EP)* bit and bit 0 of the *Type* field, which are always considered to be a value of 1 for ECRC calculations. The *ECRC* field is transmitted, unchanged, as it moves through the fabric to the Completer device. The PEX 8624 checks the ECRC on all incoming TLPs, if enabled (**Advanced Error Capabilities and Control** register *ECRC Check Enable* bit, offset FCCh[8], is Set, in each Port), and can optionally report detected errors. (When the ECRC is detected, the **Uncorrectable Error Status** register *ECRC Error Status* bit (offset FB8h[19]) can be used to log ECRC errors.)

Additionally, the PEX 8624 can optionally append ECRC to the end of internally generated TLPs, *such as* Interrupt and Error Messages, if enabled (**Advanced Error Capabilities and Control** register *ECRC Generation Enable* bit, offset FCCh[6], is Set, in each Port).

4.4.4 TL Receive/Ingress Protocol

The ingress side TL collects and stores inbound TLP traffic in the packet RAM. The incoming data is checked for ECRC errors, valid type field, length matching the Header *Transfer Size* field, and other TLP-specific errors defined by the *PCI Express Base r2.0*.

Header and Data Payload information is forwarded to the Source Scheduler, to be routed across the internal fabric, to the egress Port. When ECRC errors are detected, the packet is discarded.

4.4.5 Flow Control Credit Initialization

The initial number of VC0 Flow Control (FC) credits is advertised as programmed for each type of Header and Payload. After VC0 FC initialization is complete, the FC credits received are transferred to the TL egress. The TL ingress must schedule an UpdateFC Data Link Layer Packet (DLLP) for transmission, to replenish the number of advertised credits.

4.4.6 Flow Control Protocol

The PEX 8624 implements FC protocol that ensures that the switch:

- Does not transmit a TLP over a Link to a remote Receiver, unless the receiving device has sufficient VC Buffer space to accommodate the packet
- Generates FC credit updates to the remote Transmitter, to replace credits used to send TLPs to the PEX 8624

This FC is automatically managed by the hardware, and is transparent to software. Software is used only to enable additional Buffer space, to supplement the initial default buffer assignment.

The initial default FC credits, which are enabled after Link training, allow TLP traffic immediately after Link training completes. The Configuration transactions are the first transactions to use the default VC credits, to set up the initial device operating modes and capabilities.

The TL Ingress Credit Unit transmits DLLPs (referred to as *FC packets*) that update the FC to the remote Transmitter device, on a periodic basis. The DLLPs contain FC credit information that updates the Transmitter regarding the amount of available Buffer space in the PEX 8624.

The TL Egress Credit Unit receives DLLPs from the remote device, indicating the amount of Buffer space available in the remote Receiver. The unit uses this credit information to schedule the sending of TLPs to the remote device.

4.5 PCI-Compatible Software Model

The PEX 8624 can be thought of as a hierarchy of PCI-to-PCI bridges, with one upstream PCI-to-PCI bridge and one or more downstream PCI-to-PCI bridges connected by an internal virtual bus. (Refer to Figure 4-5.) PCI-to-PCI bridges are compliant with the PCI and PCI Express system models. Figure 4-5 illustrates the concept of hierarchical PCI-to-PCI bridges, with the bus in the middle being the internal virtual PCI Bus. The Configuration Space registers (CSRs) in the upstream PCI-to-PCI bridge are accessible by Type 0 Configuration Requests that target the upstream bus interface. The upstream Port captures the Type 0 Configuration Write Target Bus Number and Device Number. The upstream Port uses this Captured Bus Number and Captured Device Number as part of the Requester ID and Completer ID for the Requests and Completions generated by the upstream Port.

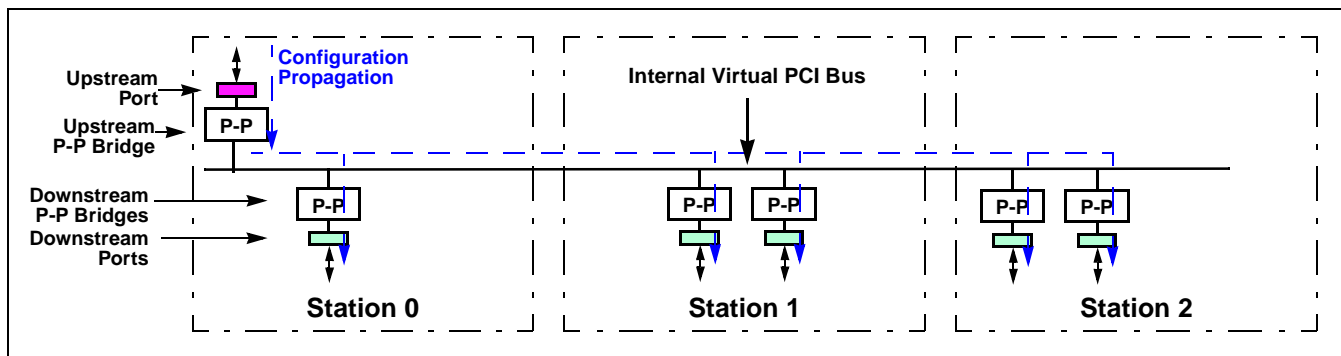
The CSRs in the downstream Port PCI-to-PCI bridges are accessible by Type 1 Configuration Requests received at the upstream Port that target the internal virtual PCI Bus, by having a Bus Number value that matches the upstream bridge's Secondary Bus Number value. Each downstream bridge is associated with a unique Device Number, as explained in Section 4.1.1.2.

The CSRs of downstream devices are hit in two ways. If the Configuration Request matches the PEX 8624 downstream Port Secondary Bus Number, the PEX 8624 converts the Type 1 Configuration Request into a Type 0 Configuration Request. However, if the Bus Number does *not* match the Secondary Bus Number, but falls within the Subordinate Bus Number range, the Type 1 Configuration Request is forwarded out of the PEX 8624, unchanged. A Type 1 Configuration Request that targets a Bus Number that is not within range is invalid, and is terminated by the PEX 8624 upstream Port as an Unsupported Request (UR).

After all PCI devices have been located and assigned Bus Numbers and Device Numbers, software can assign a Memory map and I/O map. Requests (Memory or I/O) go downstream if they fall within a bridge's Base and Limit range. In the PEX 8624, each downstream bridge has its own Base and Limit. The Request (Memory or I/O) goes upstream if it does not target anything within the upstream bridge's Base and Limit range.

Completions are routed by the Bus Number established in the Configuration registers. If the Bus Number is in the Secondary or Subordinate range, the packet goes downstream; otherwise, the packet goes upstream.

Figure 4-5. System Configuration Propagation





Chapter 5 Reset and Initialization

5.1 Reset Overview

This section describes the resets that the PEX 8624 supports. (Refer to [Table 5-1](#).) *Reset* is a mechanism that returns a device to its initial state. Reset is propagated from upstream to downstream. Hardware or software mechanisms can trigger three different levels of reset – Fundamental, Hot, or Secondary Bus (each is described in the sections that follow). The re-initialized states following a reset vary, depending upon the reset type.

Table 5-1. Reset Summary

| PCI Express Definition | Reset Source | Impact to Different Internal Components (upon De-Assertion) | Impact to Internal Registers |
|---|---|---|--|
| Fundamental Reset <ul style="list-style-type: none"> Cold Reset Warm Reset | PEX_PERST# input assertion | <ul style="list-style-type: none"> Initializes everything Serial EEPROM contents are loaded HwInit types are evaluated | All registers are initialized |
| Hot Reset | <ul style="list-style-type: none"> TS Ordered-Set <i>Hot Reset</i> bit is Set, at the upstream Port Upstream Port enters the <i>DL_Down</i> state | <ul style="list-style-type: none"> Initializes all Station Ports Initializes internal credits and queues Selectively reloads serial EEPROM contents | All registers, except: <ul style="list-style-type: none"> Port Configuration registers All Sticky bits not affected by Hot Reset (HwInit, ROS, RWICS, RWS) |
| Secondary Bus Reset | Downstream Port's Bridge Control register <i>Secondary Bus Reset</i> bit (offset 3Ch[22]) is Set | <ul style="list-style-type: none"> Downstream Port Physical Layer (PHY) generates a Hot Reset Downstream Port Data Link Layer (DLL) is down Downstream Port Transaction Layer (TL) is initialized, exhibits DL_Down behavior, and TLP Requests to that Port are dropped Upstream Port and downstream Ports drain traffic, corresponding to the DL_Down condition on the downstream Port, and initialize credits corresponding to that downstream Port | Does not affect registers (other than to initialize credits) |
| | Upstream Port's Bridge Control register <i>Secondary Bus Reset</i> bit (offset 3Ch[22]) is Set | <ul style="list-style-type: none"> All downstream Ports propagate a Hot Reset DLL of each downstream Port is down TL of each downstream Port is initialized, exhibits DL_Down behavior, and drops TLP Requests that target downstream Ports Upstream Port TL exhibits DL_Up behavior | Initializes downstream Ports registers to default values |

5.1.1 Fundamental Reset

Fundamental Reset is a hardware mechanism defined by the *PCI Express Base r2.0*, Section 6.6. Fundamental Reset input, through the `PEX_PERST#` signal, resets all Port states and Configuration registers to default conditions. Reset remains asserted, until the Port's bit is Cleared.

5.1.2 Hot Reset

Hot Reset is an in-band Reset that propagates from an upstream PCI Express Link to all its Transparent downstream Ports, through the Physical Layer (PHY) mechanism. The PHY mechanism communicates a reset to downstream devices through a training sequence (TS1/TS2 Ordered-Set, in which the *Hot Reset Training Control Bit* is Set). Hot Reset is also referred to as a *Soft Reset*.

A Hot Reset initializes all Ports, resets registers that are not defined as Sticky, and resets the serial EEPROM logic to reload registers (except Port Configuration registers) from serial EEPROM, if present^a. Hot Reset does not reset the Clock logic, and can be caused by any of the following:

- Upstream Port PHY receives two consecutive TS1 Ordered-Sets in which the *Hot Reset Training Control Bit* is Set. Hot Reset is generated from an upstream device, such as by Setting its **Bridge Control** register *Secondary Bus Reset* bit (offset `3Ch[22]`).
- Upstream Port unexpectedly enters the *DL_Down* state.

Exception – If the upstream Port Link is in the L2 Link PM state and the Link goes down, the downstream Ports do *not* generate Hot Reset.
- Upstream Port PHY enters either the *Loopback* or *Disabled* state, upon receiving two consecutive TS1 or TS2 Ordered-Sets in which either the *Loopback* or *Disable Link Training Control Bit* is Set, respectively. An upstream device can generate the *Disable Link* sequence, by Setting its **Link Control** register *Link Disable* bit (offset `78h[4]`).

5.1.3 Secondary Bus Reset

Any virtual upstream or downstream PCI-to-PCI bridge within the PEX 8624 can reset its downstream hierarchy, by Setting the **Bridge Control** register *Secondary Bus Reset* bit (offset `3Ch[22]`).

When the *Secondary Bus Reset* bit is Set on the upstream Port, all the downstream Ports are initialized to their default states, as defined by the *PCI Express Base r2.0*. Each of the Transparent downstream Ports generates an in-band Hot Reset onto its downstream Links (the NT Port Link Interface does not generate Hot Reset). In addition, writable registers defined by the *PCI Express Base r2.0*, in all downstream Ports, are initialized to default values (upstream Port registers are not reset, and the serial EEPROM does not reload registers).

When the *Secondary Bus Reset* bit is Set on a downstream Port, that Port is reset to its default state as defined by the *PCI Express Base r2.0*, and generates an in-band Hot Reset onto its downstream Link. The registers of that downstream Port are not affected.

5.1.4 Register Bits that Affect Hot Reset

Setting the **Bridge Control** register *Secondary Bus Reset* bit (offset `3Ch[22]`) generates a Hot Reset to downstream Ports and downstream devices.

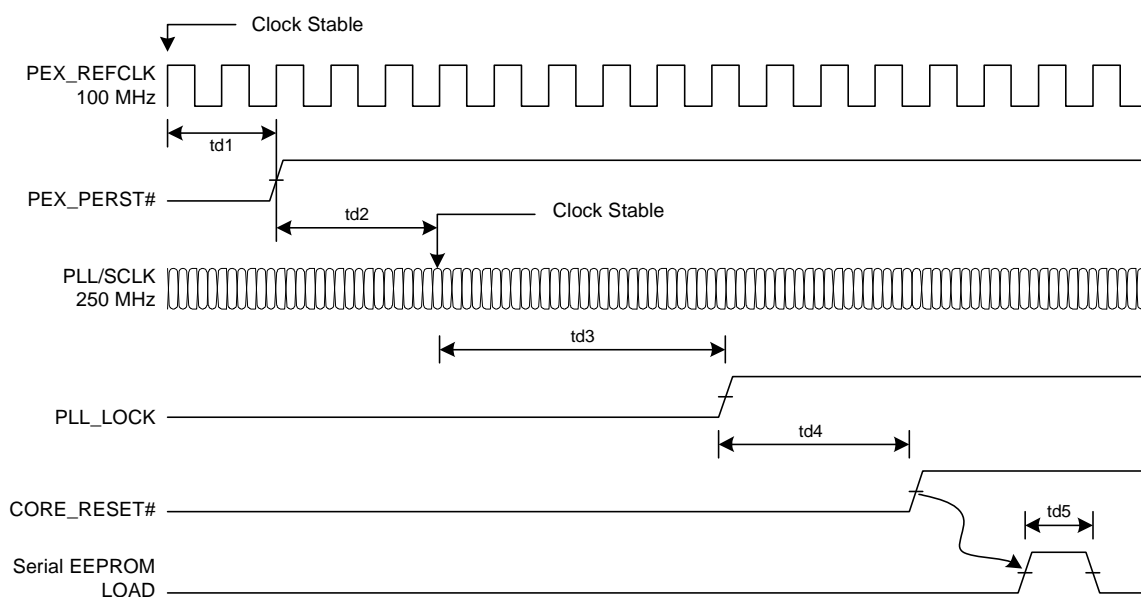
^a The serial EEPROM is considered to be present if it returns a non-zero value in response to an initial Read Status command of its *Status* register. This value is copied to the **Serial EEPROM Status** register Status Data from Serial EEPROM fields (Port 0, and also NT Port Virtual Interface if Port 0 is the NT Port, offset `260h[31:24]`). Serial EEPROM presence is reported in the register's *EepPrsnt[1:0]* field (field `[17:16]`); a value of `01b` or `11b` indicates that the serial EEPROM is present.

5.1.5 Reset and Clock Initialization Timing

Table 5-2. Reset and Clock Initialization Timing

| Symbol | Description | Typical Delay |
|--------|---|---------------|
| td1 | REFCLK stable to PEX_Reset release time | 100 μ s |
| td2 | PEX_Reset release to Reset de-bounce | 1.32 ms |
| td3 | Reset de-bounce to Phase-Locked Loop (PLL) Lock | 105 μ s |
| td4 | Reset de-bounce to Core Reset release | 2.63 ms |
| td5 | Serial EEPROM load time with no serial EEPROM present | 17 μ s |

Figure 5-1. Reset and Clock Initialization Timing



5.2 Initialization

The PEX 8624 initialization process starts upon exit from a Fundamental Reset. There are two or more steps in the process, depending upon the availability of an external initialization serial EEPROM and I²C.

The initialization sequence executed is as follows:

1. PEX 8624 reads the Strapping inputs to determine the upstream Port (**STRAP_UPSTRM_PORTSEL**[3:0]), and Lane configuration (**STRAP_STNx_PORTCFGx**) of each enabled Port.
2. If a serial EEPROM is present, serial EEPROM data is downloaded to the PEX 8624 Configuration registers. The configuration from the Strapping inputs can be changed by serial EEPROM data.

Alternatively, I²C can be used to program all the registers to configure the PEX 8624 (the same as would be done with the serial EEPROM), except, if PHY or DLL register values that affect SerDes parameters or Link initialization need to be changed, those registers must be programmed by serial EEPROM, so that the values are loaded prior to initial Link training. Because I²C is relatively slow, the Links are usually up by the time the first I²C Write occurs. The first I²C command might be to block system access while the configuration is being changed, by disabling the upstream Port; Ports can be disabled by Setting the Port's **Port Control** register *Disable Port x* bit (Port 0, 4, or 8, and also NT Port Virtual Interface if Port 0 is the NT Port, offset **234h**[18:16]).

Switch configuration, including **Port Configuration** (Port 0, and also NT Port Virtual Interface if Port 0 is the NT Port, offset **574h**[5:0]) and/or upstream Port designation (**Debug Control** register *Upstream Port ID* field (Port 0, and also NT Port Virtual Interface if Port 0 is the NT Port, offset **1DCh**[11:8])) can be changed:

- At runtime, by software, if the **Debug Control** register *Hardware/Software Configuration Mode Control* bit (Port 0, and also NT Port Virtual Interface if Port 0 is the NT Port, offset **1DCh**[15]) is Set
- By I²C or serial EEPROM reload

If the **Debug Control** register *Upstream Port ID* field value is to be changed, the register must be written twice, with **Factory Test Only** bit 7 Set in the first Write, and Cleared in the second Write. Changes take effect upon subsequent Hot Reset. (Refer to [Section 5.1.2.](#))

Note: As described in [Chapter 7, “I2C Slave Interface Operation,”](#) an external I²C Master can send the register Read/Write Requests to PEX 8624 after reset. To prevent conflict, first disable the upstream Port, by Setting the Port's *Disable Port x* bit. Restoration of the upstream Port should be the last register Write of the entire I²C programming procedure.

3. After configuration from the Strapping signal balls, serial EEPROM, and/or I²C is complete, the PHY of the configured Ports attempts to bring up the Links. After both components on a Link enter the initial Link Training state, the components proceed through PHY Link initialization and then through Flow Control initialization for VC0, preparing the DLL and TL to use the Link. Following Flow Control initialization for VC0, it is possible for VC0 TLPs and DLL Packets (DLLPs) to be transmitted across the Link.

5.2.1 Default Port Configuration

The default upstream Port selection and overall Link width configuration is determined by Strapping inputs, which must be pulled or tied High to [VDD25](#) or Low to Ground ([VSS](#)), to define the default device configuration. (Refer to [Section 3.4.4, “Strapping Signals.”](#)) The configuration defined by these Strapping inputs can be changed by downloading serial EEPROM data, and/or by I²C programming followed by a Hot Reset.

5.2.2 Default Register Initialization

Each PEX 8624 Port defined in the Port Configuration process has a set of assigned registers that control Port activities and status during standard operation. These registers are programmed to default/initial values, as defined in:

- [Chapter 12, “Transparent Port Registers”](#)
- [Chapter 14, “NT Port Virtual Interface Registers – NT Mode Only”](#)
- [Chapter 15, “NT Port Link Interface Registers – NT Mode Only”](#)

Following a Fundamental Reset, the basic PCI Express Support registers are initially programmed to the values specified in the *PCI Express Base r2.0*. The Device-Specific registers are programmed to the values specified in their register description tables. These registers can be changed by loading new data with the attached serial EEPROM, the I²C Slave interface, and/or by CSR accesses using Configuration or Memory Writes; however, registers identified as Read-Only (RO) *cannot* be modified by Configuration nor Memory Write Requests.

The Transparent Ports and NT Port support the following mechanisms for accessing registers by way of the TL, as described in:

- [Section 12.4.1, “PCI r3.0-Compatible Configuration Mechanism”](#)
- [Section 12.4.2, “PCI Express Enhanced Configuration Access Mechanism”](#)
- [Section 12.4.3, “Device-Specific Memory-Mapped Configuration Mechanism”](#)

For NT mode, refer also to [Section 14.3.3](#) or [Section 15.3.3, “Device-Specific Cursor Mechanism.”](#)

5.2.2.1 Device-Specific Registers

The Device-Specific registers are unique to the PEX 8624, and are not referenced in the *PCI Express Base r2.0*. The registers are organized into the following sections:

- [Section 12.14, “Device-Specific Registers \(Offsets 1C0h – 51Ch\)”](#)
- [Section 12.16, “Device-Specific Registers \(Offsets 54Ch – F8Ch\)”](#)

5.2.3 Serial EEPROM Load Time

Serial EEPROM initialization loads only the Configuration register data that is specifically programmed into the serial EEPROM. Registers that are not included in the serial EEPROM data are initialized to default register values.

Each register entry in the serial EEPROM consists of two Address bytes and four Data bytes (refer to [Section 6.4, “Serial EEPROM Data Format”](#)); therefore, each register entry (6 bytes, or 48 bits) requires 48 serial EEPROM clocks to download. Thus, at the serial EEPROM clock default frequency of 1 MHz, after initial overhead to read the [Serial EEPROM Status](#) register (Port 0, and also NT Port Virtual Interface if Port 0 is the NT Port, offset 260h) (16 serial EEPROM clocks, or 16 μ s), plus another 40 serial EEPROM clocks (40 μ s) to begin reading the register data, each register entry in the serial EEPROM requires 48 μ s to download. A serial EEPROM containing 50 register entries (typical configuration, assuming the serial EEPROM is programmed only with non-default register values) and clocked at 1 MHz takes approximately 2.5 ms to load (16 + 40 + 48 x 50) μ s (5,200 μ s).

To reduce the serial EEPROM initialization time, the first register entry in the serial EEPROM can increase the clock frequency, by programming the [Serial EEPROM Clock Frequency](#) register (Port 0, and also NT Port Virtual Interface if Port 0 is the NT Port, offset 268h), to a value of 2h (5 MHz), or 3h (9.62 MHz), if the serial EEPROM supports the higher frequency at the serial EEPROM supply voltage (typically 2.5 to 3.3V). At 5 MHz clocking, the serial EEPROM load time for 50 register entries can be reduced to approximately 575 μ s. Because the *PCI Express Base r2.0* allows a 20-ms budget for system hardware initialization, the default 1-MHz serial EEPROM clock is often sufficient when the quantity of Ports and registers programmed by serial EEPROM is relatively small.

5.2.4 I²C Load Time

Initialization using I²C is slower than serial EEPROM initialization, because the I²C Slave interface operates at a lower clock frequency (100 KHz maximum) and the quantity of bits per Register access is increased (because the Device address is included in the bit stream). Writing one register using 100-KHz clocking takes approximately 830 μ s (83 clock periods).

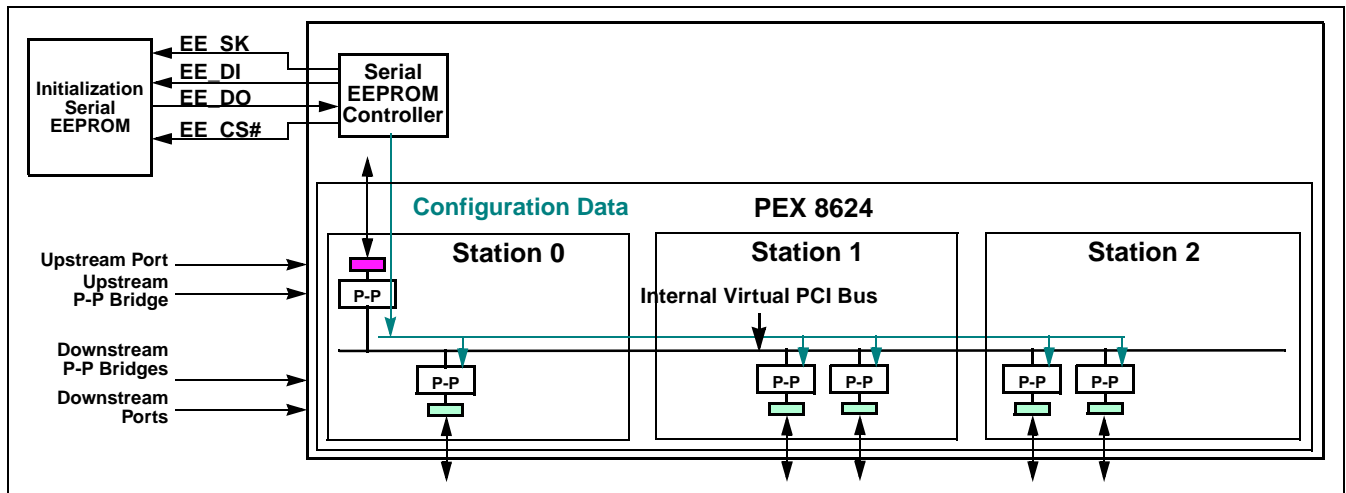
6.1 Overview

The PEX 8624 provides a Serial EEPROM Controller and interface to Serial Peripheral Interface (SPI)-compatible serial EEPROMs, as illustrated in Figure 6-1. This interface consists of a Chip Select, Clock, and Write Data outputs and a Read Data input, and operates at a programmable frequency of up to 17.86 MHz. The PEX 8624 supports serial EEPROMs that use 1-, 2-, or 3-byte addressing (2-byte addressing is recommended). The PEX 8624 automatically determines the appropriate addressing mode.

The Serial EEPROM Controller provides access to non-volatile memory. This external memory can be used for three different purposes:

- The serial EEPROM can be used to store register data, for switch configuration and initialization. When a serial EEPROM device is connected to the PEX 8624, immediately after reset, the Serial EEPROM Controller reads data from the serial EEPROM that is used to update the PEX 8624 register default values.
- System or application data can be stored into, and read from, the serial EEPROM, by software and/or I²C, initiating random-access Read or Write Requests to the serial EEPROM.
- In NT mode, the serial EEPROM can provide up to 32 KB of Expansion ROM, for the NT Port Link Interface (default) or NT Port Virtual Interface. When software reads the Expansion ROM (starting at the Expansion ROM Base Address), the PEX 8624 reads from the serial EEPROM, to return the requested ROM image.

Figure 6-1. Serial EEPROM Connections



6.2 Features

- Detection of whether a serial EEPROM is present/not present
- Supports high-speed SPI-compatible serial EEPROMs
- Non-volatile storage for register default values loaded during Power-On Reset
- 4-byte Write/Read access to the serial EEPROM, through the upstream Port
- Serial EEPROM data format allows for loading registers by Station/Port/Address location
- Required serial EEPROM size is dependent upon the number of registers being changed
- Automatic support for 1-, 2-, or 3-byte-addressable serial EEPROMs
- Manual override for number of serial EEPROM Address bytes
- Programmable serial EEPROM clock frequency
- Programmable serial EEPROM clock-to-chip select timings
- No Cyclic Redundancy Check (CRC), single *Valid* byte at start of serial EEPROM memory
- Supports Expansion ROM for the NT Port (*not supported* for 1-byte address serial EEPROMs)

6.3 Serial EEPROM Load Following Upstream Port Reset

The Serial EEPROM Controller performs a serial EEPROM download when the following conditions exist:

- Serial EEPROM is present^a, and
- Validation signature (first byte read from the serial EEPROM) value is **5Ah**, and
- One of the following events occur:
 - **PEX_PERST#** is returned High, following a Fundamental Reset (*such as* a Cold or Warm Reset)
 - Hot Reset is received at the upstream Port (downloading upon this event can be optionally disabled, by Setting the **Debug Control** register *Disable Serial EEPROM Load on Hot Reset* and/or *Upstream Hot Reset Control* bit (Port 0, and also NT Port Virtual Interface if Port 0 is the NT Port, offset 1DCh[17 and/or 16]))
 - Upstream Port exits a **DL_Down** state (downloading upon this event can be optionally disabled, by Setting the **Debug Control** register *Upstream Port and NT-Link DL_Down Reset Propagation Disable* and/or *Upstream Hot Reset Control* bit (Port 0, and also NT Port Virtual Interface if Port 0 is the NT Port, offset 1DCh[20 and/or 16]))

*a. The serial EEPROM is considered to be present if it returns a non-zero value in response to an initial Read Status command of its **Status** register. This value is copied to the **Serial EEPROM Status** register Status Data from Serial EEPROM fields (Port 0, and also NT Port Virtual Interface if Port 0 is the NT Port, offset 260h[31:24]). Serial EEPROM presence is reported in the register's **EepPrsnt[1:0]** field (field [17:16]); a value of 01b or 11b indicates that the serial EEPROM is present.*

6.4 Serial EEPROM Data Format

The data in the serial EEPROM is stored in the format defined in [Table 6-1](#). The Validation Signature byte is located in the first address. The Serial EEPROM Controller reads this byte to determine whether a valid serial EEPROM image exists versus a blank image. REG_BYTE_COUNT[15:0] contains the number of bytes of serial EEPROM data to be loaded. It is equal to the number of registers to be loaded times 6 (6 serial EEPROM bytes, per register). If the REG_BYTE_COUNT[15:0] value is not a multiple of 6, the last incomplete register entry is ignored.

For the remaining register-related locations, data is written into a 2-byte address that represents the Configuration register offset and Port Number, and the 4 bytes following are the data loaded for that Configuration register. Only Configuration register data specifically programmed into the serial EEPROM is loaded after the PEX 8624 exits reset.

[Table 6-2](#) defines the Configuration register Address format (REGADDR[15:0] from [Table 6-1](#)):

- Bits [9:0] represent bits [11:2] of the Register address
- Bits [15:10] represent the Port Number of the register selected to be programmed by serial EEPROM

Because the PEX 8624 Serial EEPROM Controller always accesses 4 bytes of serial EEPROM data (for DWord-aligned Register addresses), register offsets are stored in the serial EEPROM as DWord address values.

To determine the 2-byte serial EEPROM value that represents the PEX 8624 Port and register offset, shift the register offset 2 bits to the right (divide by 4), then OR the resulting value with the appropriate Port Identifier value from [Table 6-2](#).

For example, to load Port 1 register offset 7Ch, shift the address to the right by 2 bits (this becomes 1Fh) and concatenate 0000_01b. The resulting DWord address in the serial EEPROM will be 0000_0100_0001_1111b, which is 041Fh.

Table 6-1. Serial EEPROM Data

| Location | Value | Description |
|----------|----------------------|--|
| 0h | 5Ah | Validation Signature |
| 1h | 00h | Reserved |
| 2h | REG_BYTE_COUNT (LSB) | Configuration register Byte Count (LSB) |
| 3h | REG_BYTE_COUNT (MSB) | Configuration register Byte Count (MSB) |
| 4h | REGADDR (LSB) | 1 st Configuration Register Address (LSB) |
| 5h | REGADDR (MSB) | 1 st Configuration Register Address (MSB) |
| 6h | REGDATA (Byte 0) | 1 st Configuration Register Data (Byte 0) |
| 7h | REGDATA (Byte 1) | 1 st Configuration Register Data (Byte 1) |
| 8h | REGDATA (Byte 2) | 1 st Configuration Register Data (Byte 2) |
| 9h | REGDATA (Byte 3) | 1 st Configuration Register Data (Byte 3) |
| Ah | REGADDR (LSB) | 2 nd Configuration Register Address (LSB) |
| Bh | REGADDR (MSB) | 2 nd Configuration Register Address (MSB) |
| Ch | REGDATA (Byte 0) | 2 nd Configuration Register Data (Byte 0) |
| Dh | REGDATA (Byte 1) | 2 nd Configuration Register Data (Byte 1) |
| Eh | REGDATA (Byte 2) | 2 nd Configuration Register Data (Byte 2) |
| Fh | REGDATA (Byte 3) | 2 nd Configuration Register Data (Byte 3) |
| ... | ... | ... |
| FFFFh | REGDATA (Byte 3) | Last Configuration Register Data (Byte 3) |

Note: If the **Debug Control** register (Port 0, offset 1DCh) is programmed by the serial EEPROM, it must be programmed twice by the first two serial EEPROM entries, at locations 4h through 9h, and Ah through Fh, as listed in Table 6-1. The first entry must Set **Factory Test Only** bit 7, to enable Writes to certain fields within the register, and the second entry must Clear bit 7; **all other bit values must be identical in both entries.**

Table 6-2. Configuration Register Address Format

| Port Number | REGADDR Bits [15:10] Value ^a | Port Identifier |
|--|---|-----------------|
| Port 0 | 0000_00b | 0000h |
| Port 1 | 0000_01b | 0400h |
| Port 4 ^b | 0010_00b | 2000h |
| Port 5 | 0010_01b | 2400h |
| Port 6 | 0010_10b | 2800h |
| Port 8 | 0100_00b | 4000h |
| Port 9 | 0100_01b | 4400h |
| NT Port Virtual Interface ^c | 0XX0_XXb | XX00h |
| NT Port Link Interface | 1110_00b | E000h |

- a. Encodings not listed are **reserved**.
- b. Port 4 is **Software Only**.
- c. For NT Port Virtual Interface registers, use the value for the Port Number that is configured as the NT Port (Port 0, 1, 2, or 3, as designated by the *STRAP_NT_UPSTRM_PORTSEL[1:0]* Strapping signals or **Debug Control** register *NT Port Number* field (Port 0, offset *1DCh[25:24]*)).

6.5 Serial EEPROM Initialization

After the device Reset is de-asserted, the PEX 8624 determines whether a serial EEPROM is present. The serial EEPROM is considered to be present if it returns a non-zero value in response to an initial Read Status command of its **Status** register. A pull-up resistor on the **EE_DO** input produces a value of FFh if a serial EEPROM is not installed. If a serial EEPROM is detected, the first byte (validation signature) is read. If a value of 5Ah is read, it is assumed that the serial EEPROM is programmed for the PEX 8624. The serial EEPROM address width is determined while the first byte is read. If the first byte's value is not 5Ah, the serial EEPROM is blank or programmed with invalid data. In this case, no more data is read from the serial EEPROM, and the **Serial EEPROM Status** register *EepAddrWidth* field (Port 0, and also NT Port Virtual Interface if Port 0 is the NT Port, offset 260h[23:22]) reports a value of 00b (undetermined width).

If the *EepAddrWidth* field reports a value of 00b, any subsequent accesses to the serial EEPROM (through the PEX 8624 Serial EEPROM registers) default to a serial EEPROM address width of 1 byte, unless the **Serial EEPROM Status** register *EepAddrWidth Override* bit (Port 0, and also NT Port Virtual Interface if Port 0 is the NT Port, offset 260h[21]) is Set. The *EepAddrWidth* field is usually Read-Only (RO); however, it is writable if the *EepAddrWidth Override* bit is Set (both can be programmed by a single Write instruction).

If the serial EEPROM contains valid data, the REG_BYTE_COUNT values in Bytes 2 and 3 determine the number of serial EEPROM locations that contain Configuration register addresses and data. Each Configuration register entry consists of 2 bytes of register Address and 4 bytes of register Write data. The REG_BYTE_COUNT must be a multiple of 6.

The **EE_SK** output clock frequency is determined by the **Serial EEPROM Clock Frequency** register *EepFreq[2:0]* field (Port 0, and also NT Port Virtual Interface if Port 0 is the NT Port, offset 268h[2:0]). The default clock frequency is 1 MHz. At this clock rate, it takes approximately 48 μ s per DWORD during Configuration register initialization. For faster loading of large serial EEPROMs that support a faster clock, the first Configuration register load from the serial EEPROM could be to the **Serial EEPROM Clock Frequency** register.

6.6 PCI Express Configuration, Control, and Status Registers

The PCI Express Configuration, Control, and Status registers that can be initialized are detailed in:

- [Chapter 12, “Transparent Port Registers”](#)
- [Chapter 14, “NT Port Virtual Interface Registers – NT Mode Only”](#)
- [Chapter 15, “NT Port Link Interface Registers – NT Mode Only”](#)

6.7 Serial EEPROM Registers

The Serial EEPROM register (Port 0, and also NT Port Virtual Interface if Port 0 is the NT Port, offsets 260h through 26Ch) parameters defined in [Section 12.14.2, “Device-Specific Registers – Physical Layer \(Offsets 200h – 25Ch\)”](#), can be changed, using the serial EEPROM. It is recommended that the first serial EEPROM entry (after the pair of entries for the **Debug Control** register (Port 0, and also NT Port Virtual Interface if Port 0 is the NT Port, offset 1DCh), if programmed), be used to change the **Serial EEPROM Clock Frequency** register (offset 268h) value, to increase the clock frequency, and thereby reduce the time needed for the remainder of the serial EEPROM load. When the NT Port Expansion ROM feature is used, the serial EEPROM clock frequency must be 5 MHz or higher. At the last serial EEPROM entry, the **Serial EEPROM Status and Control** register (offset 260h) can be programmed to issue a Write Status (WRSR) command, to enable the Write Protection feature(s) within the serial EEPROM data, if needed.

6.8 Serial EEPROM Random Write/Read Access

To access the serial EEPROM, a PCI Express or I²C Master uses the following registers (Port 0, and also NT Port Virtual Interface if Port 0 is the NT Port):

- **Serial EEPROM Status and Control** (offset 260h)
- **Serial EEPROM Buffer** (offset 264h)
- **Serial EEPROM 3rd Address Byte** (offset 26Ch)

Note: To help streamline the text in the following subsections, the specific Port location/access of each register offset is not repeated – only the offset location is mentioned.

The Master can only access the serial EEPROM on a DWord basis (4 bytes), aligned to one DWord address.

6.8.1 Writing to Serial EEPROM

To write a DWord to the serial EEPROM:

1. If the 3rd Address byte (Address bits [23:16]) is needed (when the **Serial EEPROM Status** register *EepAddrWidth* field bits (offset 260h[23:22]) are both Set), write the value to the **Serial EEPROM 3rd Address Byte** register *Serial EEPROM 3rd Address Byte* field (offset 26Ch[7:0]).
2. Write the 32-bit data into the **Serial EEPROM Buffer** register (offset 264h).
3. Issue a Write Enable instruction to the serial EEPROM (Command = 110b, Set Write Enable Latch), by writing the value 0000_C000h into the **Serial EEPROM Status and Control** register (offset 260h).
4. Calculate and write the combined Address and Command value to write into the **Serial EEPROM Control** register (offset 260h), by combining the serial EEPROM 3-bit Write Data instruction (value 010b) as bits [15:13], together with the serial EEPROM address. Serial EEPROM Address bits [14:2] must be programmed into **Serial EEPROM Control** register bits [12:0], and serial EEPROM Address bit 15 must be programmed into **Serial EEPROM Status** register bit 20 (*that is*, Set bit 20 if the serial EEPROM address is in the upper 32 KB of any 64-KB address block within the serial EEPROM). The data in the **Serial EEPROM Buffer** register is written to the serial EEPROM when the **Serial EEPROM Status and Control** register is written.
5. The serial EEPROM Write operation is complete when a subsequent read of the **Serial EEPROM Status** register bit 18 returns 0. At this time, another serial EEPROM access can be started.

Because each PEX 8624 Port and Register address value (REGADDR; refer to [Section 6.5](#)), and its corresponding data value (REGDATA), require 6 bytes of serial EEPROM memory, and the PEX 8624 serial EEPROM interface accesses 4 bytes at a time, two serial EEPROM Writes may be needed to store each set of REGADDR (1 word) and REGDATA (1 Dword) entries into the serial EEPROM. To avoid overwriting a word of another set of 6-byte REGADDR and REGDATA values, one of the two Serial EEPROM Writes might need to be a Read-Modify-Write type of operation (preserving one word Read from the serial EEPROM, and writing the value back along with a new word value).

6.8.2 Reading from Serial EEPROM

To read a DWord from the serial EEPROM:

1. If the 3rd Address byte (Address bits [23:16]) is needed (when the **Serial EEPROM Status** register *EepAddrWidth* field bits (offset 260h[23:22]) are both Set), write the value to the **Serial EEPROM 3rd Address Byte** register *Serial EEPROM 3rd Address Byte* field (offset 26Ch[7:0]).
2. Calculate the combined Address and Command value to write into the **Serial EEPROM Control** register (offset 260h), by combining the serial EEPROM 3-bit Read Data instruction (value 011b) as bits [15:13], together with the serial EEPROM address. Serial EEPROM Address bits [14:2] must be programmed into **Serial EEPROM Control** register bits [12:0], and serial EEPROM Address bit 15 must be programmed into **Serial EEPROM Status** register bit 20 (*that is*, Set bit 20 if the serial EEPROM address is in the upper 32 KB of any 64-KB address block within the serial EEPROM).
3. Poll the **Serial EEPROM Status** register until the *EepCmdStatus* bit (offset 260h[18]) is Cleared, which signals that the transaction is complete.
4. Read the four bytes of serial EEPROM data from the **Serial EEPROM Buffer** register (offset 264h).

For example, to read the first DWord in the serial EEPROM, write the value 0000_6000h to Port 0, register offset 260h, and then read Port 0, register offset 264h.

6.8.3 Programming a Blank Serial EEPROM

The PEX 8624 supports 1-, 2-, or 3-byte serial EEPROM addressing. 8-Kbit to 512-Kbit SPI EEPROMs use 2-byte addressing. The PEX 8624 requires that the first byte in the serial EEPROM must be the value 5Ah (ASCII Z), as a Validation Signature.

The 2nd and 3rd bytes contain the number of bytes within the serial EEPROM image, beginning with the first register entry at serial EEPROM address 04h. If this Byte Count value exceeds the actual number of register entries times 6 (*for example*, if the first DWord is programmed to the value 5A00_FFFh), the system could hang. To simplify programming of a blank EEPROM (*such as* in a typical production build), the serial EEPROM could be pre-programmed with the first DWord, 0000_005Ah.

A 2-byte address serial EEPROM that is blank (or corrupted) can be programmed according to the following procedure (when the PEX 8624 is in 1-Byte Address mode).

To program a blank serial EEPROM:

1. Write the value 0000_005Ah into the **Serial EEPROM Buffer** register at address [upstream Port **BAR0** + 264h].
2. Issue a Write Enable instruction (Command = 110b, Set Write Enable Latch, and enable 2-byte addressing, by writing the value 00A0_C000h into the **Serial EEPROM Status and Control** register (offset 260h).
3. Copy this data value to serial EEPROM location 0, by writing the value 00A0_4000h into the **Serial EEPROM Status and Control** register. At this point, the first four bytes in the serial EEPROM now contain the value 0000_005Ah.
4. Reboot the system, to reset the PEX 8624 so that it re-detects the serial EEPROM.

6.9 Serial EEPROM Loading of NT Port Link Interface Registers

The **Debug Control** register *Load Only EEPROM NT-Link on Hot Reset* and *Inhibit EEPROM NT-Link Load on Hot Reset* bits (NT Port Virtual Interface if Port 0 is the NT Port, offset 1DCh[31:30], respectively) control whether the serial EEPROM is to load registers following a Soft Reset (Hot Reset or DL_Down) to the upstream Port or NT Port Link Interface, as defined in Table 6-3.

Table 6-3. Serial EEPROM Loading of NT Port Link Interface Registers (Offset 1DCh[31:30] Values)

| Bit 31 Value | Bit 30 Value | Action |
|--------------|--------------|--|
| 0 | 0 | Load all registers from the serial EEPROM. |
| 0 | 1 | Load all registers, except the NT Port Link Interface registers, from the serial EEPROM. |
| 1 | 0 | Load only NT Port Link Interface registers from the serial EEPROM. |
| 1 | 1 | Disable serial EEPROM loading of all registers. |

6.10 NT Port Expansion ROM

The PEX 8624 NT Port Virtual and Link Interfaces support Expansion ROM, as defined in the *PCI r3.0*. Expansion ROM can be implemented for either Port, but not both concurrently. The Expansion ROM image is stored in the serial EEPROM, and its size can be either 16 KB (default, bit is Cleared) or 32 KB (maximum), based upon the **Serial EEPROM Clock Frequency** register *Expansion ROM Size* bit (NT Port Virtual Interface if Port 0 is the NT Port, offset 268h[16]) value. When the NT Port Expansion ROM feature is used, the serial EEPROM clock frequency must be 5 MHz or higher.

By default, the Expansion ROM is enabled on the NT Port Link Interface; however, it can be enabled instead for the NT Port Virtual Interface, by Setting the **Ingress Control** register *Expansion ROM Virtual Side* bit (NT Port Virtual Interface if Port 0 is the NT Port, offset 660h[23]). The **Expansion ROM Base Address** register (BAR) must be enabled, by Setting the register's *Expansion ROM Enable* bit, in either the NT Port Virtual Interface (offset 30h[0]) or NT Port Link Interface (offset 30h[0]).

The Expansion ROM's location in the serial EEPROM is programmed in the **Serial EEPROM 3rd Address Byte** register *Expansion ROM Base Address* field (NT Port Virtual Interface if Port 0 is the NT Port, offset 26Ch[31:16]), of which the lower six bits, [21:16], map to serial EEPROM byte Address bits [15:10] (aligned to a 256-DWord (1-KB) boundary). The Expansion ROM must not straddle a 64-KB boundary within the serial EEPROM.

The default serial EEPROM Base Address value is as follows:

- **16-KB NT Port Expansion ROM (*Expansion ROM Size* bit is Cleared)** – The value is 0020h, which corresponds to serial EEPROM Byte address 2000h (8 KB). The serial EEPROM size must be at least 32 KB.
- **32-KB NT Port Expansion ROM (*Expansion ROM Size* bit is Set)** – The value is 0040h, which corresponds to serial EEPROM byte address 4000h (16 KB). The serial EEPROM size must be at least 64 KB.

7.1 I²C Support Overview

Note: This chapter applies to the I²C Slave interface, which uses the I2C_ADDR[2:0], I2C_SCL0, and I2C_SDA0 signals for PEX 8624 register access by an I²C Master. The I2C_SCL1 and I2C_SDA1 signals form the PEX 8624 I²C Master interface, which is used only for Serial Hot Plug operation. (Refer to Section 10.8, “Serial Hot Plug Controller.”)

Inter-Integrated Circuit (I²C) is a bus used to connect Integrated Circuits (ICs). Multiple ICs can be connected to an I²C Bus, and I²C devices that have I²C mastering capability can initiate a Data transfer. I²C is used for Data transfers between ICs at a relatively low rate (100 Kbps), and is used in a variety of applications. For further details regarding I²C Buses, refer to the [I2C Bus, v2.1](#).

The PEX 8624 is an I²C Slave. Slave operations allow the PEX 8624 Configuration registers to be read from or written to by an I²C Master, external from the device. I²C is a sideband mechanism that allows the device Configuration registers to be programmed, read from, or written to, independent of the PCI Express upstream Link.

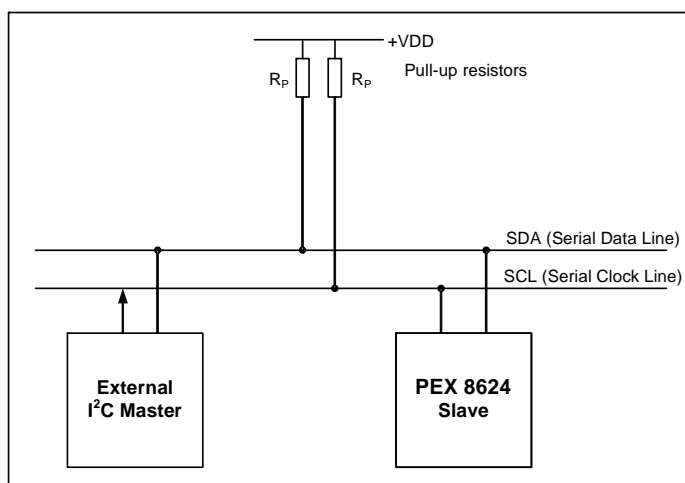
With I²C, users have the option of accessing all PEX 8624 registers through the I²C Slave interface. I²C provides an alternative to using a serial EEPROM. I²C can also be used for debugging, such as if the PEX 8624 upstream Port fails to linkup.

Accordingly, it is recommended that both I²C/SMBus access, and the serial EEPROM (or at least its footprint), be included in designs.

The I2C_SCL0 and I2C_SDA0 signals can be brought out to a 2x2 pin header on the board, to allow PLX software (for example, running on a laptop computer) to access the PEX 8624 registers, using an Aardvark USB-I²C adapter connected to this header. (Refer to the *PEX 8624 RDK Hardware Reference Manual* for the header pin design.)

Figure 7-1 provides a block diagram that illustrates how standard devices connect to the I²C Bus.

Figure 7-1. Standard Devices to I²C Bus Connection Block Diagram



7.2 I²C Addressing – Slave Mode Access

To access the PEX 8624 Configuration registers through the I²C Slave interface, the PEX 8624 I²C Slave address must be configured.

The PEX 8624 supports a 7-bit I²C Slave address. The 7-bit I²C Address bits can be configured by the serial EEPROM (recommended, if the default address must be changed), or by a Memory Write, in the **I2C Configuration** register (Port 0, and also NT Port Virtual Interface if Port 0 is the NT Port, offset 294h, default value 6Fh or 68h), with the lower three bits of the address derived from the I2C_ADDR[2:0] inputs. Bits [6:0] correspond to Address Byte bits [7:1], with bit 0 of the byte indicating a Write (0) or Read (1).

The I2C_ADDR[2:0] inputs can be pulled or tied High or Low, to select a different Slave address. Up to eight PEX 8624 devices can share the same I²C Bus segment without conflict, provided that each PEX 8624 has its set of I2C_ADDR[2:0] inputs strapped to a unique state. More than eight PEX 8624 devices can share the I²C Bus, however, if the upper Address bits are programmed in the serial EEPROM.

Note: The I²C Slave address must not be changed by an I²C Write command.

7.3 I²C Command Format

An I²C transfer starts as a packet with Address Phase bytes, followed by four Command Phase bytes, and one or more Data Phase bytes. The I²C packet Address Phase Byte format is illustrated in [Figure 7-2a](#). The Command Phase portion must include 4 bytes of data that contain the following:

- I²C Transfer type (Read/Write)
- PCI Express Configuration Register address
- PEX 8624 Port Number being accessed
- Byte Enable(s) of the register data being accessed

When the I²C Master is writing to the PEX 8624, the I²C Master must transmit the Data bytes to be written to that register within the same packet that contains the Command bytes. [Table 7-2](#) describes each I²C Command byte for Write access. [Figure 7-2b](#) illustrates the Command phase portion of an I²C Write packet.

When the I²C Master is reading from the PEX 8624, the I²C Master must separately transmit a Command Phase packet and Data Phase packet. [Table 7-6](#) describes each I²C Command byte for Read access. [Figure 7-4b](#) illustrates the Command phase portion of an I²C Read packet.

Each I²C packet must contain 4 bytes of data. Pad unused packet Data bytes with zeros (0) to meet this requirement.

7.4 I²C Register Write Access

The PEX 8624 Configuration registers can be read from and written to, based upon I²C register Read and Write operations, respectively. An I²C Write packet consists of Address Phase bytes and Command Phase bytes, followed by one to four additional I²C Data bytes. [Table 7-1](#) defines mapping of the I²C Data bytes to the Configuration register Data bytes. [Figure 7-2c](#) illustrates the I²C Data byte format.

The I²C packet starts with the *S* (START condition) bit. Data bytes are separated by the *A* (Acknowledge Control Packet (ACK)) or *N* (Negative Acknowledge (NAK)) bit. The packet ends with the *P* (STOP condition) bit.

If the Master generates an invalid command, the targeted PEX 8624 register is not modified.

The PEX 8624 considers the 1st Data byte of the 4-byte Data phase, following the four Command bytes in the Command phase, as register Byte 3 (bits [31:24]). The next three Data bytes access register Bytes 2 through 0, respectively. Four Data bytes are required, regardless of the Byte Enable Settings in the Command phase. The Master can then generate either a STOP condition (to finish the transfer) or a repeated START condition (to start a new transfer). If the I²C Master sends more than the four Data bytes (violating PEX 8624 protocol), the PEX 8624 returns a NAK for the extra Data byte(s). (For further details regarding I²C protocol, refer to the [I2C Bus, v2.1](#).)

[Table 7-2](#) describes each I²C Command byte for Write access. In the packet described in [Figure 7-2](#), Command Bytes 0 through 3 follow the format specified in [Table 7-2](#).

Table 7-1. I²C Register Write Access

| I ² C Data Byte Order | PCI Express Configuration Register Bytes |
|----------------------------------|--|
| 0 | Written to register Byte 3 |
| 1 | Written to register Byte 2 |
| 2 | Written to register Byte 1 |
| 3 | Written to register Byte 0 |

Table 7-2. I²C Command Format for Write Access

| Byte | Bit(s) | Description | | | | | | | | | | |
|---------------------|---|---|-----|-------------|---|---|---|--|---|---|---|---|
| 1 st (0) | 7:3 | Reserved Should be Cleared. | | | | | | | | | | |
| | 2:0 | Command 011b = Write register Do not use other encodings for Writes. | | | | | | | | | | |
| 2 nd (1) | 7:4 | Reserved Should be Cleared. | | | | | | | | | | |
| | 3 | NT Port Link Interface Access Valid only if NT mode is enabled. 0 = <i>Station Select</i> bits (2 nd Command byte, bits [2:1]), and <i>Port Selector</i> bits (2 nd Command byte, bit 0, and 3 rd Command byte, bit 7) are used to select 6 Ports. 1 = NT Port Link Interface access is enabled. <i>Station Select</i> bits (2 nd Command byte, bits [2:1]), and <i>Port Selector</i> bits (2 nd Command byte, bit 0, and 3 rd Command byte, bit 7) should be Cleared. | | | | | | | | | | |
| | 2:1 | Station Select 00b = Station 0 01b = Station 1 10b = Station 2 11b = Reserved | | | | | | | | | | |
| | 0 | Port Selector, Bit 1 2 nd Command byte, bit 0, and 3 rd Command byte, bit 7, combine to form a 2-bit Port Selector. | | | | | | | | | | |
| 3 rd (2) | 7 | Port Selector, Bit 0 <i>Port Selector[1:0]</i> selects the Port to access. 00b = Port 0 of the Station indicated by <i>Station Select</i> 01b = Port 1 of the Station indicated by <i>Station Select</i> For NT Port Link Interface access, the <i>Port Selector[1:0]</i> value must be 00b. For NT Port Virtual Interface access, the <i>Port Selector[1:0]</i> value is XXb. | | | | | | | | | | |
| | 6 | Reserved Should be Cleared. | | | | | | | | | | |
| | 5:2 | Byte Enables <table border="0"> <thead> <tr> <th>Bit</th> <th>Description</th> </tr> </thead> <tbody> <tr> <td>2</td> <td>Byte Enable for Byte 0 (PEX 8624 register bits [7:0])</td> </tr> <tr> <td>3</td> <td>Byte Enable for Byte 1 (PEX 8624 register bits [15:8])</td> </tr> <tr> <td>4</td> <td>Byte Enable for Byte 2 (PEX 8624 register bits [23:16])</td> </tr> <tr> <td>5</td> <td>Byte Enable for Byte 3 (PEX 8624 register bits [31:24])</td> </tr> </tbody> </table> 0 = Corresponding PEX 8624 register byte will not be modified 1 = Corresponding PEX 8624 register byte will be modified All 16 combinations are valid values. | Bit | Description | 2 | Byte Enable for Byte 0 (PEX 8624 register bits [7:0]) | 3 | Byte Enable for Byte 1 (PEX 8624 register bits [15:8]) | 4 | Byte Enable for Byte 2 (PEX 8624 register bits [23:16]) | 5 | Byte Enable for Byte 3 (PEX 8624 register bits [31:24]) |
| | Bit | Description | | | | | | | | | | |
| 2 | Byte Enable for Byte 0 (PEX 8624 register bits [7:0]) | | | | | | | | | | | |
| 3 | Byte Enable for Byte 1 (PEX 8624 register bits [15:8]) | | | | | | | | | | | |
| 4 | Byte Enable for Byte 2 (PEX 8624 register bits [23:16]) | | | | | | | | | | | |
| 5 | Byte Enable for Byte 3 (PEX 8624 register bits [31:24]) | | | | | | | | | | | |
| 1:0 | PEX 8624 Register Address [11:10] | | | | | | | | | | | |
| 4 th (3) | 7:0 | PEX 8624 Register Address [9:2] Note: All register addresses are DWord-aligned. Therefore, Address bits [1:0] are implicitly Cleared, and then internally incremented for successive I ² C byte Writes. | | | | | | | | | | |

Figure 7-2. I²C Write Packet**Figure 7-2a I²C Write Packet Address Phase Bytes**

| 1 st Cycle | | | |
|-----------------------|--------------------|-----------------------------|---------|
| START | 7 6 5 4 3 2 1 | 0 | ACK/NAK |
| S | Slave Address[7:1] | Read/Write Bit 0 = Write | A |

Figure 7-2b I²C Write Packet Command Phase Bytes

| Command Cycle | | | | | | | |
|-----------------|---------|-----------------|---------|-----------------|---------|-----------------|---------|
| 7 6 5 4 3 2 1 0 | ACK/NAK | 7 6 5 4 3 2 1 0 | ACK/NAK | 7 6 5 4 3 2 1 0 | ACK/NAK | 7 6 5 4 3 2 1 0 | ACK/NAK |
| Command Byte 0 | A | Command Byte 1 | A | Command Byte 2 | A | Command Byte 3 | A |

Figure 7-2c I²C Write Packet Data Phase Bytes

| Write Cycle | | | | | | | | |
|--|---------|--|---------|--|---------|--|---------|------|
| 7 6 5 4 3 2 1 0 | ACK/NAK | 7 6 5 4 3 2 1 0 | ACK/NAK | 7 6 5 4 3 2 1 0 | ACK/NAK | 7 6 5 4 3 2 1 0 | ACK/NAK | STOP |
| Data Byte 0 (to selected register Byte 3) | A | Data Byte 1 (to selected register Byte 2) | A | Data Byte 2 (to selected register Byte 1) | A | Data Byte 3 (to selected register Byte 0) | A | P |

7.4.1 Register Write

The following tables illustrate a sample I²C packet for writing the PEX 8624 **MSI Upper Address** register (offset **50h**) for Port 9, with data 1234_5678h.

Notes: *The PEX 8624 has a default I²C Slave address of 6Fh or 68h (68h is used for computing the values provided in this section), according to whether the I2C_ADDR[2:0] inputs have a value of 111b or 000b, respectively. The actual address is reflected in the I2C Configuration register Slave Address field (Port 0, and also NT Port Virtual Interface if Port 0 is the NT Port, offset 294h[6:0]).*

The byte sequence on the I²C Bus, as listed in the following tables, occurs after the START and before the STOP bits, by which the I²C Master frames the transfer.

Table 7-3. I²C Register Write Access Example – 1st Cycle

| Phase | Value | Description |
|---------|-------|---|
| Address | D0h | Bits [7:1] for PEX 8624 I²C Slave Address (6Fh or 68h) Last bit (bit 0) for Write = 0. |

Table 7-4. I²C Register Write Access Example – Command Cycle

| Byte | Value | Description |
|------|-------|---|
| 0 | 03h | [7:3] Reserved Should be Cleared. [2:0] Command 011b = Write |
| 1 | 04h | [7:4] Reserved Should be Cleared. 3 If NT Port Link Interface Access [2:1] Station Select 0 Port Selector, Bit 1 |
| 2 | 3Ch | 7 Port Selector, Bit 0 6 Reserved Should be Cleared. [5:2] Byte Enables All active. [1:0] Register Address, Bits [11:10] |
| 3 | 14h | [7:0] Register Address, Bits [9:2] |

Table 7-5. I²C Register Write Access Example – Write Cycle

| Byte | Value | Description |
|------|-------|---------------------------------|
| 0 | 12h | Data to Write for Byte 3 |
| 1 | 34h | Data to Write for Byte 2 |
| 2 | 56h | Data to Write for Byte 1 |
| 3 | 78h | Data to Write for Byte 0 |

Figure 7-3. I²C Write Command Packet Example

Figure 7-3a I²C Write Packet Address Phase Bytes

| 1 st Cycle | | | |
|-----------------------|----------------------------|-------------------------------|---------|
| START | 7 6 5 4 3 2 1 | 0 | ACK/NAK |
| S | Slave Address 1101_000b | Read/Write Bit 0 0 = Write | A |

Figure 7-3b I²C Write Packet Command Phase Bytes

| Command Cycle | | | | | | | |
|---------------------------------|---------|---------------------------------|---------|---------------------------------|---------|---------------------------------|---------|
| 7 6 5 4 3 2 1 0 | ACK/NAK | 7 6 5 4 3 2 1 0 | ACK/NAK | 7 6 5 4 3 2 1 0 | ACK/NAK | 7 6 5 4 3 2 1 0 | ACK/NAK |
| Command Byte 0 0000_0011b | A | Command Byte 1 0000_0001b | A | Command Byte 2 1011_1100b | A | Command Byte 3 0001_0100b | A |

Figure 7-3c I²C Write Packet Data Phase Bytes

| Write Cycle | | | | | | | | |
|---------------------------|---------|---------------------------|---------|---------------------------|---------|---------------------------|---------|------|
| 7 6 5 4 3 2 1 0 | ACK/NAK | 7 6 5 4 3 2 1 0 | ACK/NAK | 7 6 5 4 3 2 1 0 | ACK/NAK | 7 6 5 4 3 2 1 0 | ACK/NAK | STOP |
| Data Byte 0 0001_0010b | A | Data Byte 1 0011_0100b | A | Data Byte 2 0101_0110b | A | Data Byte 3 0111_1000b | A | P |

7.5 I²C Register Read Access

When the I²C Master attempts to read a PEX 8624 register, two packets are transmitted. The 1st packet consists of Address and Command Phase bytes to the Slave. The 2nd packet consists of Address and Data Phase bytes.

According to the [I2C Bus, v2.1](#), a Read cycle is triggered when the Read/Write bit (bit 0) of the 1st cycle is Set. The Command phase reads the requested register content into the internal buffer. When the I²C Read access occurs, the internal buffer value is transferred on to the I²C Bus, starting from Byte 3 (bits [31:24]), followed by the subsequent bytes, with Byte 0 (bits [7:0]) being transferred last. If the I²C Master requests more than four bytes, the PEX 8624 re-transmits the same byte sequence, starting from Byte 3 of the internal buffer.

The 1st and 2nd I²C Read packets (illustrated in [Figure 7-4](#) and [Figure 7-5](#), respectively) perform the following functions:

- **1st packet** – Selects the register to read
- **2nd packet** – Reads the register (sample 2nd packet provided is for a 7-bit PEX 8624 I²C Slave address)

Although two packets are shown for the I²C Read, the I²C Master can merge the two packets together into a single packet, by not generating the STOP at the end of the first packet (Master does not relinquish the bus) and generating REPEAT START.

[Table 7-6](#) describes each I²C Command byte for Read access. In the packet described in [Figure 7-4](#), Command Bytes 0 through 3 for Reads follow the format specified in [Table 7-6](#).

Table 7-6. I²C Command Format for Read Access

| Byte | Bit(s) | Description |
|---------------------|--------|--|
| 1 st (0) | 7:3 | Reserved Should be Cleared. |
| | 2:0 | Command 100b = Read register Do not use other encodings for Reads. |
| 2 nd (1) | 7:4 | Reserved Should be Cleared. |
| | 3 | NT Port Link Interface Access Valid only if NT mode is enabled. 0 = <i>Station Select</i> bits (2 nd Command byte, bits [2:1]), and <i>Port Selector</i> bits (2 nd Command byte, bit 0, and 3 rd Command byte, bit 7) are used to select 6 Ports. 1 = NT Port Link Interface access is enabled. <i>Station Select</i> bits (2 nd Command byte, bits [2:1]), and <i>Port Selector</i> bits (2 nd Command byte, bit 0, and 3 rd Command byte, bit 7) should be Cleared. |
| | 2:1 | Station Select 00b = Station 0 01b = Station 1 10b = Station 2 11b = Reserved |
| | 0 | Port Selector, Bit 1 2 nd Command byte, bit 0, and 3 rd Command byte, bit 7, combine to form a 2-bit Port Selector. |

Table 7-6. I²C Command Format for Read Access (Cont.)

| Byte | Bit(s) | Description | | | | | | | | | | |
|---------------------|---|---|-----|-------------|---|---|---|--|---|---|---|---|
| 3 rd (2) | 7 | <p>Port Selector, Bit 0 <i>Port Selector[1:0]</i> selects the Port to access. 00b = Port 0 of the Station indicated by <i>Station Select</i> 01b = Port 1 of the Station indicated by <i>Station Select</i> For NT Port Link Interface access, <i>Port Selector[1:0]</i> value must be 00b. For NT Port Virtual Interface access, <i>Port Selector[1:0]</i> value is XXb.</p> | | | | | | | | | | |
| | 6 | <p>Reserved Should be Cleared.</p> | | | | | | | | | | |
| | 5:2 | <p>Byte Enables</p> <table border="1"> <thead> <tr> <th>Bit</th> <th>Description</th> </tr> </thead> <tbody> <tr> <td>2</td> <td>Byte Enable for Byte 0 (PEX 8624 register bits [7:0])</td> </tr> <tr> <td>3</td> <td>Byte Enable for Byte 1 (PEX 8624 register bits [15:8])</td> </tr> <tr> <td>4</td> <td>Byte Enable for Byte 2 (PEX 8624 register bits [23:16])</td> </tr> <tr> <td>5</td> <td>Byte Enable for Byte 3 (PEX 8624 register bits [31:24])</td> </tr> </tbody> </table> <p>0 = Corresponding PEX 8624 register byte will not be modified 1 = Corresponding PEX 8624 register byte will be modified All 16 combinations are valid values.</p> | Bit | Description | 2 | Byte Enable for Byte 0 (PEX 8624 register bits [7:0]) | 3 | Byte Enable for Byte 1 (PEX 8624 register bits [15:8]) | 4 | Byte Enable for Byte 2 (PEX 8624 register bits [23:16]) | 5 | Byte Enable for Byte 3 (PEX 8624 register bits [31:24]) |
| | Bit | Description | | | | | | | | | | |
| 2 | Byte Enable for Byte 0 (PEX 8624 register bits [7:0]) | | | | | | | | | | | |
| 3 | Byte Enable for Byte 1 (PEX 8624 register bits [15:8]) | | | | | | | | | | | |
| 4 | Byte Enable for Byte 2 (PEX 8624 register bits [23:16]) | | | | | | | | | | | |
| 5 | Byte Enable for Byte 3 (PEX 8624 register bits [31:24]) | | | | | | | | | | | |
| 1:0 | PEX 8624 Register Address [11:10] | | | | | | | | | | | |
| 4 th (3) | 7:0 | <p>PEX 8624 Register Address [9:2]</p> <p><i>Note:</i> All register addresses are DWord-aligned. Therefore, Address bits [1:0] are implicitly Cleared, and then internally incremented for successive I²C byte Writes.</p> | | | | | | | | | | |

Figure 7-4. I²C Read Command Packet (1st Packet)

Figure 7-4a I²C Read Command Packet Address Phase Bytes

| 1 st Cycle | | | |
|-----------------------|--------------------|-----------------------------|---------|
| START | 7 6 5 4 3 2 1 | 0 | ACK/NAK |
| S | Slave Address[7:1] | Read/Write Bit 0 = Write | A |

Figure 7-4b I²C Read Command Packet Command Phase Bytes

| Command Cycle | | | | | | | |
|-----------------|---------|-----------------|---------|-----------------|---------|-----------------|------|
| 7 6 5 4 3 2 1 0 | ACK/NAK | 7 6 5 4 3 2 1 0 | ACK/NAK | 7 6 5 4 3 2 1 0 | ACK/NAK | 7 6 5 4 3 2 1 0 | STOP |
| Command Byte 0 | A | Command Byte 1 | A | Command Byte 2 | A | Command Byte 3 | P |

Figure 7-5. I²C Read Data Packet (2nd Packet)

Figure 7-5a I²C Read Data Packet Address Phase Bytes

| 1 st Cycle | | | |
|-----------------------|--------------------|--------------------------|---------|
| START | 7 6 5 4 3 2 1 | 0 | ACK/NAK |
| S | Slave Address[7:1] | Read/Write Bit, 1 = Read | A |

Figure 7-5b I²C Read Data Packet Data Phase Bytes

| Read Cycle | | | | | | | | |
|-----------------|---------|-----------------|---------|-----------------|---------|-----------------|---------|------|
| 7 6 5 4 3 2 1 0 | ACK/NAK | 7 6 5 4 3 2 1 0 | ACK/NAK | 7 6 5 4 3 2 1 0 | ACK/NAK | 7 6 5 4 3 2 1 0 | ACK/NAK | STOP |
| Register Byte 3 | A | Register Byte 2 | A | Register Byte 1 | A | Register Byte 0 | N | P |

7.5.1 Register Read Address Phase and Command Packet

The following is a sample I²C packet for reading the PEX 8624 **Serial EEPROM Buffer** register (Port 0, and also NT Port Virtual Interface if Port 0 is the NT Port, offset 264h) for Port 9, assuming the register value is ABCD_EF01h.

Notes: *The PEX 8624 has a default I²C Slave address of 6Fh or 68h (68h is used for computing the values provided in this section), according to whether the I2C_ADDR[2:0] inputs have a value of 111b or 000b, respectively. The actual address is reflected in the I2C Configuration register Slave Address field (Port 0, and also NT Port Virtual Interface if Port 0 is the NT Port, offset 294h[6:0]).*

The byte sequence on the I²C Bus, as listed in the following tables, occurs after the START and before the STOP bits, by which the I²C Master frames the transfer.

Table 7-7. I²C Register Read Access Example – 1st Packet

| Phase | Value | Description |
|---------|-------|--|
| Address | D0h | Bits [7:1] for PEX 8624 I ² C Slave Address (6Fh or 68h) Last bit (bit 0) for Write = 0. |

Table 7-8. I²C Register Read Access Example – Command Cycle

| Byte | Value | Description |
|------|-------|---|
| 0 | 04h | [7:3] Reserved Should be Cleared. [2:0] Command 100b = Read |
| 1 | 04h | [7:4] Reserved Should be Cleared. 3 If NT Port Link Interface Access [2:1] Station Select 0 Port Selector, Bit 1 |
| 2 | 3Ch | 7 Port Selector, Bit 0 6 Reserved Should be Cleared. [5:2] Byte Enables All active. [1:0] Register Address, Bits [11:10] |
| 3 | 49h | [7:0] Register Address, Bits [9:2] |

7.5.2 Register Read Data Packet

Notes: The PEX 8624 has a default I²C Slave address of 6Fh or 68h (68h is used for computing the values provided in this section), according to whether the I2C_ADDR[2:0] inputs have a value of 111b or 000b, respectively. The actual address is reflected in the **I2C Configuration** register **Slave Address** field (Port 0, and also NT Port Virtual Interface if Port 0 is the NT Port, offset 294h[6:0]).

The byte sequence on the I²C Bus, as listed in the following table and figures, occurs after the START and before the STOP bits, by which the I²C Master frames the transfer.

Table 7-9. I²C Register Read Access Example – 1st Cycle

| Phase | Value | Description |
|---------|-------|---|
| Address | D1h | Bits [7:1] for PEX 8624 I ² C Slave Address (6Fh or 68h) Last bit (bit 0) for Read = 1. |
| Read | ABh | Byte 3 of Register Read |
| | CDh | Byte 2 of Register Read |
| | EFh | Byte 1 of Register Read |
| | 01h | Byte 0 of Register Read |

Figure 7-6. 1st Packet – Command Phase

| 1 st Cycle | | | |
|-----------------------|----------------------------|-----------------------------|---------|
| START | 7 6 5 4 3 2 1 | 0 | ACK/NAK |
| S | Slave Address 1101_000b | Read/Write Bit 0 = Write | A |

| Command Cycle | | | | | | | |
|------------------------------|---------|------------------------------|---------|------------------------------|---------|------------------------------|------|
| 7 6 5 4 3 2 1 0 | ACK/NAK | 7 6 5 4 3 2 1 0 | ACK/NAK | 7 6 5 4 3 2 1 0 | ACK/NAK | 7 6 5 4 3 2 1 0 | STOP |
| Command Byte 0 0000_0100b | A | Command Byte 1 0000_0010b | A | Command Byte 2 0011_1110b | A | Command Byte 3 1001_1001b | P |

Figure 7-7. 2nd Packet – Read Phase

| 1 st Cycle | | | |
|-----------------------|---------------------------------|----------------------------|---------|
| START | 7 6 5 4 3 2 1 | 0 | ACK/NAK |
| S | Slave Address[7:1] 1101_000b | Read/Write Bit 1 = Read | A |

| Read Cycle | | | | | | | |
|-------------------------------|---------|-------------------------------|---------|-------------------------------|---------|-------------------------------|------|
| 7 6 5 4 3 2 1 0 | ACK/NAK | 7 6 5 4 3 2 1 0 | ACK/NAK | 7 6 5 4 3 2 1 0 | ACK/NAK | 7 6 5 4 3 2 1 0 | STOP |
| Register Byte 3 1010_1011b | A | Register Byte 2 1100_1101b | A | Register Byte 1 1110_1111b | A | Register Byte 0 0000_0001b | P |



Chapter 8 Performance Metrics

8.1 Introduction

This chapter discusses measures of performance, including throughput and latency. It also provides guidelines for programming on-chip registers, to boost performance beyond that provided by the general-purpose default values.

This chapter also differentiates *PCI Express Base r1.1* (Gen 1) rates, 2.5 Giga-Transfers/second (GT/s), from *PCI Express Base r2.0* (Gen 2) rates, 5.0 GT/s, by including “Gen 1” or “Gen 2”, as appropriate, after the xWidths (*for example*, “x8 Gen 1” indicates x8 at 2.5 GT/s, and “x8 Gen 2” indicates x8 at 5.0 GT/s).

8.2 Throughput

Throughput measures the amount of Payload bytes transferred per unit time. PCI Express has various possible throughput values, depending upon the Link width, Payload size, traffic distribution, and Transaction Layer Packet (TLP) overhead, all of which are under software control. To comprehend PCI Express throughput, a basic understanding of the underlying PCI Express fundamentals is necessary.

8.2.1 Shared Wire

Bytes are transmitted across PCI Express wires during each symbol time, regardless of traffic load. The bytes are classified into three wire traffic types:

- Transaction Layer Packets (TLPs) that carry Payloads
- Data Link Layer Packets (DLLPs)
- Physical Layer (PHY) Ordered-Sets

Electrical idles (including PADs) are not counted as traffic. To measure throughput and understand how the Link performs, count all three wire traffic types while tracking the amount of time that elapses. PHY SKIP Ordered-Sets occur irregularly and can mostly be ignored. A fully used Link requires 99% TLPs and DLLPs in each direction. The ratio of TLPs to DLLPs depends upon the application.

8.2.2 Unidirectional Throughput

Ideal PCI Express throughput in the unidirectional bandwidth case is illustrated in [Figure 8-1](#) and defined in [Table 8-2](#). [Figure 8-4](#) through [Figure 8-6](#) include each best case with a curve labeled **Calc 0 DLLP/TLP**. Payload size is in bytes (B) for each figure.

Figure 8-1. Ideal PCI Express Throughput in Unidirectional Bandwidth Case

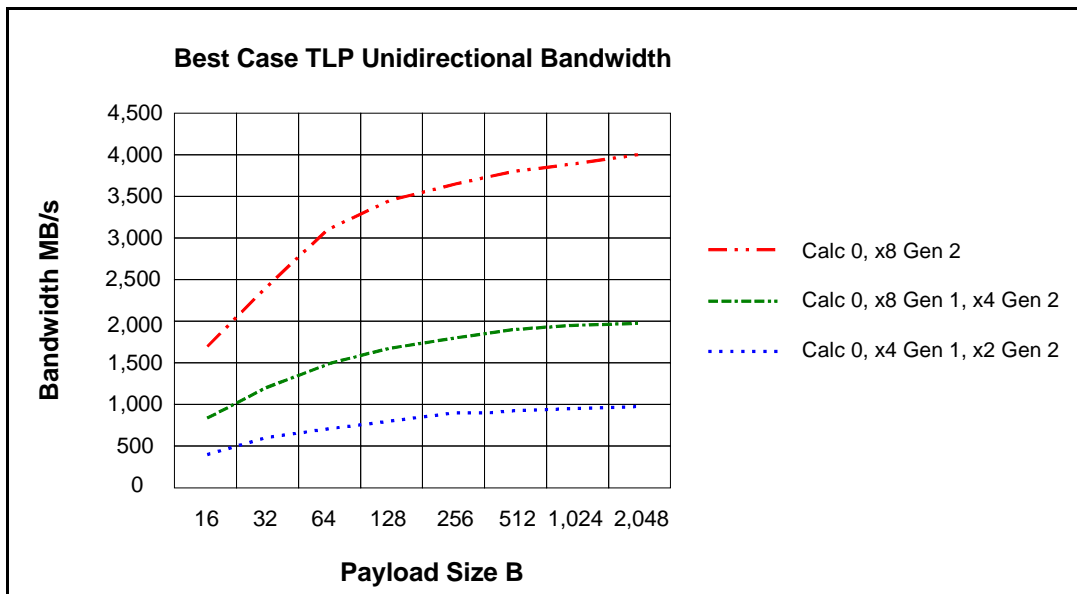


Figure 8-1 illustrates the way in which the maximum throughput increases with larger Payload sizes, and with wider and faster Links. The *PCI Express Base r2.0* allows a default Maximum Payload Size (MPS) of 128 bytes. The PEX 8624, however, supports an MPS of up to 2,048 bytes, to achieve a bandwidth higher than obtainable with the minimum MPS value.

Unidirectional PCI Express throughput has maximal TLPs on the wire going in one direction. The other direction of the bidirectional Link is mostly unused. DLLPs that share the wire (as per the *PCI Express Base r2.0*) are typically transmitted in response to a TLP; therefore, DLLPs travel in the opposite direction of TLPs. Thus, for unidirectional traffic, DLLP traffic does not interfere with TLP bandwidth.

It is useful to make a clarification regarding PCI Express Memory Read (MRd) Requests and their corresponding Completions with Data (CPLD). The *Length* field in the MRd Request can be up to 4 KB. The MRd TLP, however, is only 12 to 20 bytes in length. The Completion for the MRd carries the data. Typically, a Root Complex transmits multiple, partial Completions with 64-byte Payload size (endpoint devices must transmit Completions of at least 128-byte granularity). As a result, even with large Read sizes, the bandwidth expected for the Read is limited by the Completions' data Payload size.

For example, if a series of MRd Requests with large Read sizes are sent upstream, and the Completer sends only Completions with 64-byte Payloads, the maximum bandwidth expected would be close to the unidirectional 64-byte Payload data points in Figure 8-1. (Refer also to Section 8.2.5.)

Table 8-2. Ideal Unidirectional Throughput Numbers (in Gigabytes per Second)

| Payload (Bytes) | Calc 0 | Calc 0 | Calc 0 |
|--------------------|----------|----------------------|----------------------|
| | x8 Gen 2 | x8 Gen 1 x4 Gen 2 | x4 Gen 1 x2 Gen 2 |
| 16 | 1.771 | 0.886 | 0.442 |
| 32 | 2.453 | 1.226 | 0.612 |
| 64 | 3.037 | 1.518 | 0.757 |
| 128 | 3.447 | 1.723 | 0.860 |
| 256 | 3.697 | 1.848 | 0.923 |
| 512 | 3.836 | 1.918 | 0.958 |
| 1,024 | 3.909 | 1.955 | 0.976 |
| 2,048 | 3.947 | 1.973 | 0.986 |

8.2.3 Ideal PCI Express Throughput

This section discusses how to calculate ideal PCI Express throughput, as explained in [Section 8.2.2](#). PEX 8624 signaling operates at 2.5 GT/s/Lane (Gen 1) and 5.0 GT/s/Lane (Gen 2). The PEX 8624 allows Lanes to be grouped into x1, x2, x4, and x8 widths. This bandwidth is de-rated, according to the factors described within this section.

PCI Express protocol has built-in 8b/10b encoding, which immediately removes 20% of the throughput:

$$8b/10b_encoding_hit = 8/10 = 0.8$$

TLPs include overhead as part of the PCI Express protocol. Each TLP includes a Header of 12 to 16 bytes (16 bytes only for 64-bit addressing; otherwise, TLPs all include 12-byte Headers). TLPs can also have an optional End-to-end Cyclic Redundancy Check (ECRC) of 4 bytes. All TLPs require a Data Link Layer (DLL) and PHY framing symbol overhead of 8 bytes. The total TLP overhead is as follows:

$$TLP_overhead_min = 12 + 8 = 20 \text{ bytes}$$

$$TLP_overhead_max = 16 + 4 + 8 = 28 \text{ bytes}$$

[Figure 8-2](#) illustrates a TLP with a 32-byte Data Payload, with 20 bytes of overhead.

Figure 8-2. TLP Packet Structure with 20 Bytes of Overhead and 32 Bytes of Data Payload

| | | | |
|------|------|------|------|
| STP | SEQ | SEQ | HDR |
| HDR | HDR | HDR | HDR |
| HDR | HDR | HDR | ADDR |
| ADDR | ADDR | ADDR | DATA |
| DATA | DATA | DATA | DATA |
| DATA | DATA | DATA | DATA |
| DATA | DATA | DATA | DATA |
| DATA | DATA | DATA | DATA |
| DATA | DATA | DATA | DATA |
| DATA | DATA | DATA | DATA |
| DATA | DATA | DATA | DATA |
| DATA | DATA | DATA | CRC |
| CRC | CRC | CRC | END |

The *PCI Express Base r2.0* requires that DLLPs and SKIP Ordered-Sets share the same wire as TLPs, allowing these other traffic sources to reduce TLP throughput. The best case with the least impact (reduction to TLP bandwidth corresponding to unidirectional traffic scenarios) can be calculated.

To cover lossy Link behavior, the *PCI Express Base r2.0* requires an Acknowledge Control Packet (ACK) and all three types of UpdateFC to be transmitted every 30 μs. Each DLLP takes 8 bytes. [Figure 8-3](#) illustrates the DLLP Packet structure. On a x8 Link, a DLLP takes one full symbol time. Therefore, 4 DLLPs cost 4 symbol times every 7,500 symbol times. This hit is much less than 1%. To be complete, however, the throughput decrease from DLLPs in unidirectional Gen 1 traffic is as follows:

$$\begin{aligned} \text{DLLP_x8_unidirectional_derating} &= 7,500/7,504 \text{ symbol times} \\ \text{DLLP_x4_unidirectional_derating} &= 7,500/7,508 \text{ symbol times} \end{aligned}$$

Figure 8-3. DLLP Packet Structure (8 Bytes)

| | | | |
|------|------|------|------|
| SDP | DLLP | DLLP | DLLP |
| DLLP | CRC | CRC | END |

A SKIP Ordered-Set can be modeled as occurring once per 1,180 symbol times. The *PCI Express Base r2.0* provides a range of 1,180 to 1,538 symbol times, and the value used by the PEX 8624 is once every 1,180 symbol times. A SKIP Ordered-Set requires 4 symbol times to transmit. Therefore, throughput is decreased by:

$$\text{SKIP_derating} = (1,180 / 1,184)$$

Placing together all the overhead and throughput de-rating, the ideal PCI Express unidirectional bandwidth can be calculated for any Payload, as follows:

$$\begin{aligned} \text{Ideal_pcie_bandwidth} &= \text{link_rate} \times 8\text{b}/10\text{b_encoding_hit} \times \text{dllp_derating} \times \text{skip_derating} \\ &\quad \times (\text{Payload} / (\text{Payload} + \text{tlp_overhead})) \end{aligned}$$

The above formula, using tlp_overhead_min (for the tlp_overhead variable) and appropriate Link rate, was used to calculate the values for the ideal curves illustrated earlier, in [Figure 8-1](#).

8.2.4 Bidirectional PCI Express Throughput

Although unidirectional flows have virtually no DLLP traffic flowing in the same direction as the TLP, to model bidirectional traffic, DLLPs require prominent consideration. Three different calculated DLLP rates provide a useful reference – 0, 1, and 2 DLLPs per TLP (DLLP/TLP).

The worst case, 2 DLLP/TLP, applies wherein every TLP causes an ACK and UpdateFC DLLP. The ACK acknowledges the TLP arrived and the UpdateFC provides additional credits, allowing additional TLPs of the same type to be transmitted.

Note: Worst case is approximate. There can be an additional UpdateFC time every 7,500 symbol times.

The best case, 0 DLLP/TLP, is the unidirectional traffic case, because no DLLPs travel in the same direction as the TLP flow.

Table 8-3 summarizes the amount of Link bandwidth used by the Payload, for various DLLP policies and Payload sizes when using TLPs with the minimum overhead of 20 bytes (32-bit addressing and no ECRC). The values calculated used the following formula:

$$(\text{data payload bytes} / (\text{data payload bytes} + \text{overhead bytes} + \text{DLLP bytes})) \times \text{SKIP_derating} \times 100\%$$

Table 8-3. TLP Data Payload Percent of Link Bandwidth Used for Different DLLP Rates^a

| Payload (Bytes) | 0 DLLP/TLP (Ideal) (Percent) | 1 DLLP/TLP (Percent) | 2 DLLP/TLP (Percent) |
|-----------------|------------------------------|----------------------|----------------------|
| 0 | 0.00 | 0.00 | 0.00 |
| 4 | 16.61 | 12.45 | 9.96 |
| 8 | 28.47 | 22.14 | 18.12 |
| 16 | 44.28 | 36.23 | 30.66 |
| 32 | 61.31 | 53.14 | 46.89 |
| 64 | 75.91 | 69.31 | 63.77 |
| 128 | 86.17 | 81.75 | 77.76 |
| 256 | 92.42 | 89.81 | 87.35 |
| 512 | 95.89 | 94.47 | 93.09 |
| 1,024 | 97.73 | 96.98 | 96.25 |
| 2,048 | 98.67 | 98.29 | 97.92 |

a. The SKIP_derating factor used was (1,100 / 1,104).

It is expected that in any traffic pattern, a maximally and optimally used Links' throughput will operate in the range of 0, 1, or 2 DLLP/TLP. Because DLLP and TLP Counts are easily measured with standard PCI Express logic analyzers, understanding the DLLP-to-TLP ratio aids in understanding PCI Express Link behavior. If the DLLP Count is more than 2x the TLP Count, the Link is probably underused.

The exact ratio of DLLPs to TLPs depends upon a variety of factors, which to some extent remain outside the *PCI Express Base r2.0* guidelines. [Figure 8-4](#) through [Figure 8-6](#) illustrate the measured PEX 8624 bidirectional throughput, with default register values for their listed Link widths. [Table 8-4](#) through [Table 8-6](#) provide the numbers plotted in [Figure 8-4](#) through [Figure 8-6](#). As a reference, each figure/graph contains throughput curves for three DLLP policies – 0, 1, or 2 DLLP/TLP. The unidirectional and bidirectional curves are the measured performance points of the PEX 8624 when sustained back-to-back TLPs of the same size are indefinitely transferred between any two Ports with the same width.

As illustrated in these graphs and tables ([Figure 8-4](#) through [Figure 8-6](#) and [Table 8-4](#) through [Table 8-6](#)), the PEX 8624 unidirectional cases track along the ideal 0 DLLP/TLP curve, for all values, 16 to 2,048 bytes. The bidirectional cases make the PEX 8624 work, because they must process ACKs, UpdateFCs, and TLP traffic, in both directions.

With default values, the PEX 8624 is able to run bidirectional traffic at better (in some cases, significantly better) than 1 DLLP/TLP rates for Payload sizes of 16 to 256 bytes, and maintain better than 2 DLLP/TLP throughput up to 2,048 bytes for x8 Gen 2. For larger Payload sizes, adding additional Payload credits, by tuning the default register values, yields increased throughput. Adjusting the credit values, and the factors/impact of doing so, are discussed in more detail in [Section 8.4](#).

Tuning can improve performance, to a point. The PEX 8624 cannot simultaneously sustain 2,048-byte Payloads on all Ports, due to the amount of on-chip buffering available to maintain a Payload of that size, as illustrated in [Figure 8-5](#). Realistically, it is unlikely to have heavily loaded traffic patterns with 2,048-byte Payloads traveling in both directions.

By default, for all Link widths, the PEX 8624 operates at better than 1 DLLP/TLP for Payload sizes of 32 to 256 bytes. For larger Payload sizes, the default register values require fine-tuning, to allow for improved throughput. [Section 8.3](#) discusses tuning and consideration factors in further detail.

Figure 8-4. Measured Bidirectional Throughput TLP x8 Gen 2 Payload Bandwidth

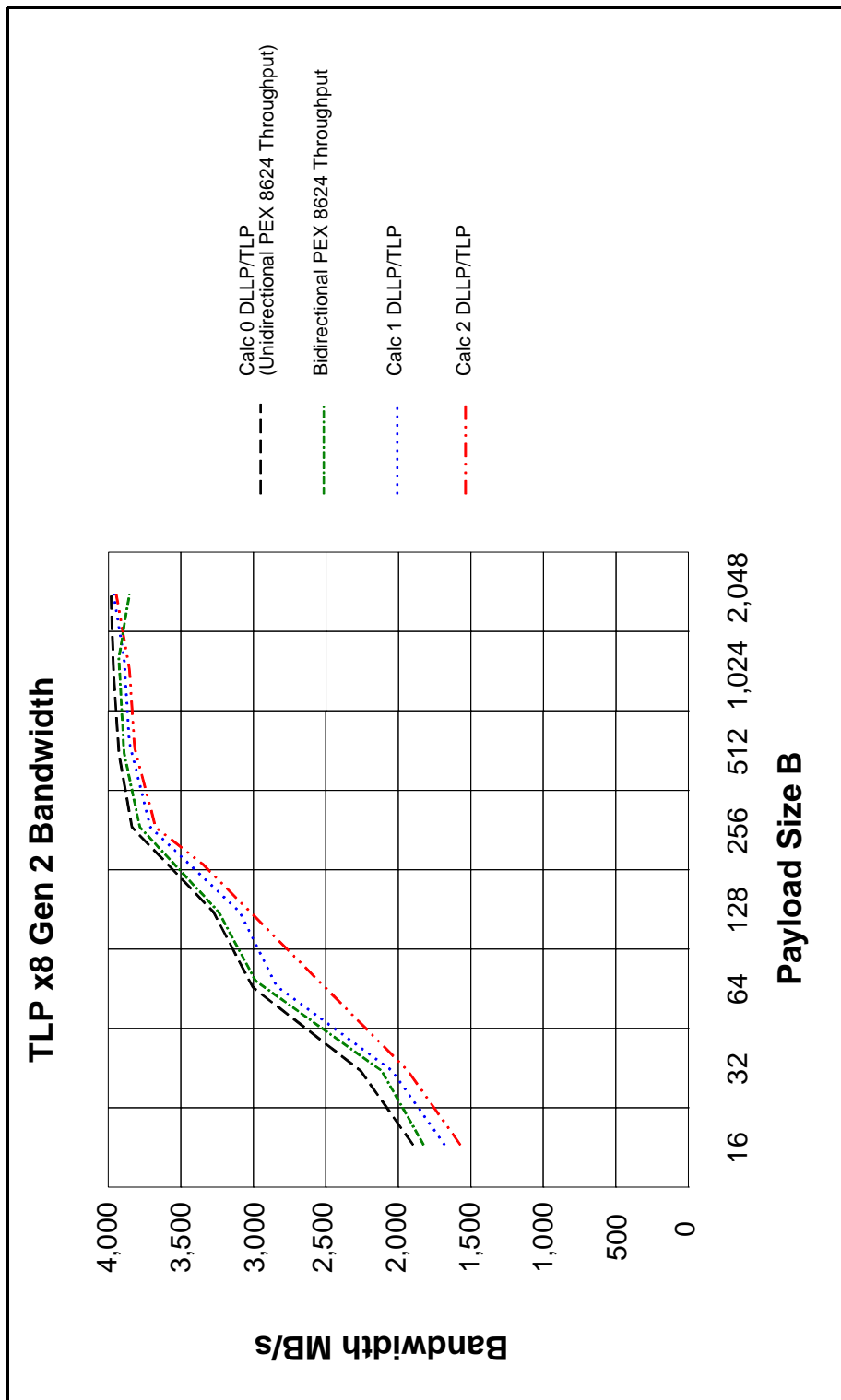


Table 8-4. x8 Gen 2 Throughput Numbers (in Gigabytes per Second)

| Payload (Bytes) | x8 Gen 2 Calculated Throughput for Unidirectional and Bidirectional with Calc 0 DLLP/TLP | x8 Gen 2 Calculated Throughput for Bidirectional with Calc 1 DLLP/TLP | x8 Gen 2 Calculated Throughput for Bidirectional with Calc 2 DLLP/TLP | x8 Gen 21 PEX 8624 Throughput for Bidirectional with Default DLLP/TLP Settings/Behavior |
|----------------------------|---|--|--|--|
| 16 | 1.771 | 1.449 | 1.226 | 1.590 |
| 32 | 2.453 | 2.126 | 1.876 | 2.372 |
| 64 | 3.037 | 2.772 | 2.551 | 2.998 |
| 128 | 3.447 | 3.270 | 3.111 | 3.409 |
| 256 | 3.697 | 3.593 | 3.494 | 3.662 |
| 512 | 3.836 | 3.779 | 3.724 | 3.808 |
| 1,024 | 3.909 | 3.879 | 3.850 | 3.881 |
| 2,048 | 3.947 | 3.932 | 3.917 | 3.772 |

Figure 8-5. Measured Bidirectional Throughput TLP x8 Gen 1 or x4 Gen 2 Payload Bandwidth

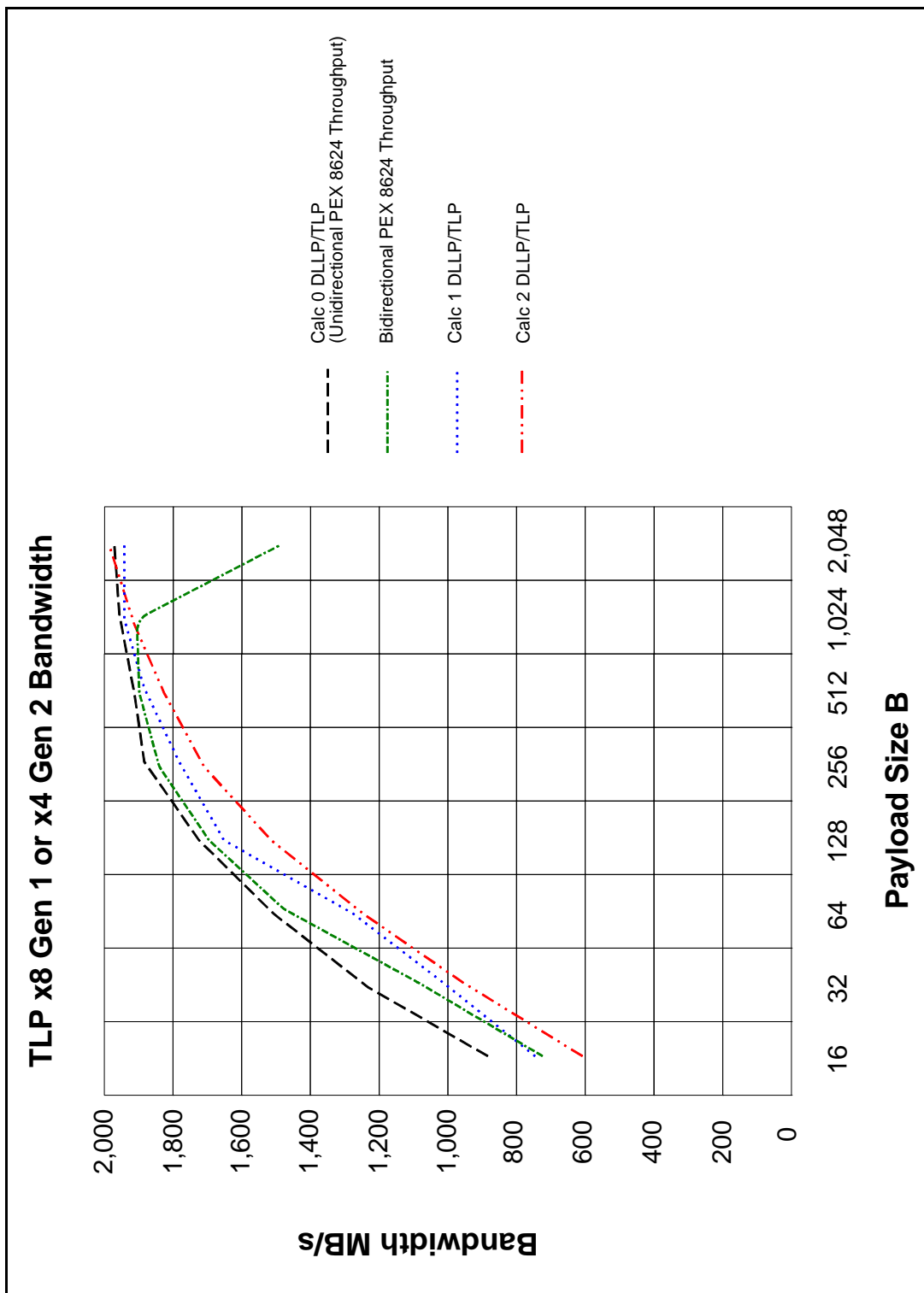


Table 8-5. x8 Gen 1 or x4 Gen 2 Throughput Numbers (in Gigabytes per Second)

| Payload (Bytes) | x8 Gen 1 or x4 Gen 2 Calculated Throughput for Unidirectional and Bidirectional with Calc 0 DLLP/TLP | x8 Gen 1 or x4 Gen 2 Calculated Throughput for Bidirectional with Calc 1 DLLP/TLP | x8 Gen 1 or x4 Gen 2 Calculated Throughput for Bidirectional with Calc 2 DLLP/TLP | x8 Gen 1 or x4 Gen 2 PEX 8624 Throughput for Bidirectional with Default DLLP/TLP Settings/Behavior |
|----------------------------|--|---|---|--|
| 16 | 0.886 | 0.725 | 0.613 | 0.716 |
| 32 | 1.226 | 1.063 | 0.938 | 1.125 |
| 64 | 1.518 | 1.386 | 1.275 | 1.486 |
| 128 | 1.723 | 1.635 | 1.555 | 1.692 |
| 256 | 1.848 | 1.796 | 1.747 | 1.822 |
| 512 | 1.918 | 1.889 | 1.862 | 1.894 |
| 1,024 | 1.955 | 1.940 | 1.925 | 1.924 |
| 2,048 | 1.973 | 1.966 | 1.985 ^a | 1.446 |

a. *The value for this particular entry (as it appears in the table and figure) is incorrect, and will be corrected in a future release.*

Figure 8-6. Measured Bidirectional Throughput TLP x4 Gen 1 or x2 Gen 2 Payload Bandwidth

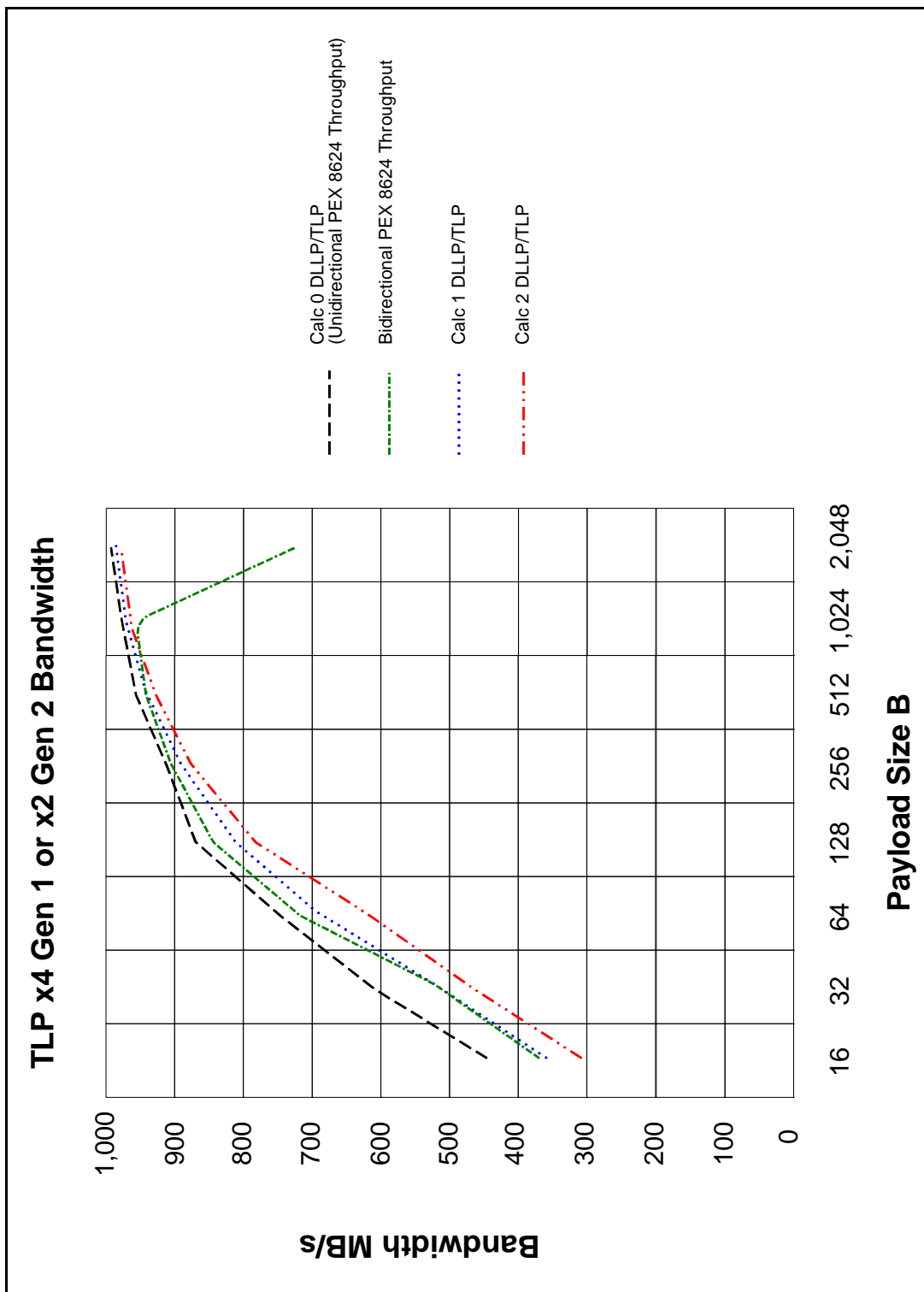


Table 8-6. x4 Gen 1 or x2 Gen 2 Throughput Numbers (in Gigabytes per Second)

| Payload (Bytes) | x4 Gen 1 or x2 Gen 2 Calculated Throughput for Unidirectional and Bidirectional with Calc 0 DLLP/TLP | x4 Gen 1 or x2 Gen 2 Calculated Throughput for Bidirectional with Calc 1 DLLP/TLP | x4 Gen 1 or x2 Gen 2 Calculated Throughput for Bidirectional with Calc 2 DLLP/TLP | x4 Gen 1 or x2 Gen 2 PEX 8624 Throughput for Bidirectional with Default DLLP/TLP Settings/Behavior |
|----------------------------|--|---|---|--|
| 16 | 0.442 | 0.362 | 0.307 | 0.376 |
| 32 | 0.612 | 0.532 | 0.469 | 0.532 |
| 64 | 0.757 | 0.693 | 0.638 | 0.737 |
| 128 | 0.860 | 0.818 | 0.778 | 0.843 |
| 256 | 0.923 | 0.898 | 0.874 | 0.909 |
| 512 | 0.958 | 0.945 | 0.931 | 0.945 |
| 1,024 | 0.976 | 0.970 | 0.963 | 0.957 |
| 2,048 | 0.986 | 0.983 | 0.979 | 0.732 |

8.2.5 Read Completion Throughput

Read Completion throughput is illustrated in Figure 8-7, with the values listed in Table 8-7. For the calculated curves Calc 0 and Calc 2, note the following:

- Read Completion Payload size matches the Read Request size
- Read throughput does not include time to forward the Read Request

Figure 8-7. Measured Read Completion Throughput x8 Gen 2 Bandwidth

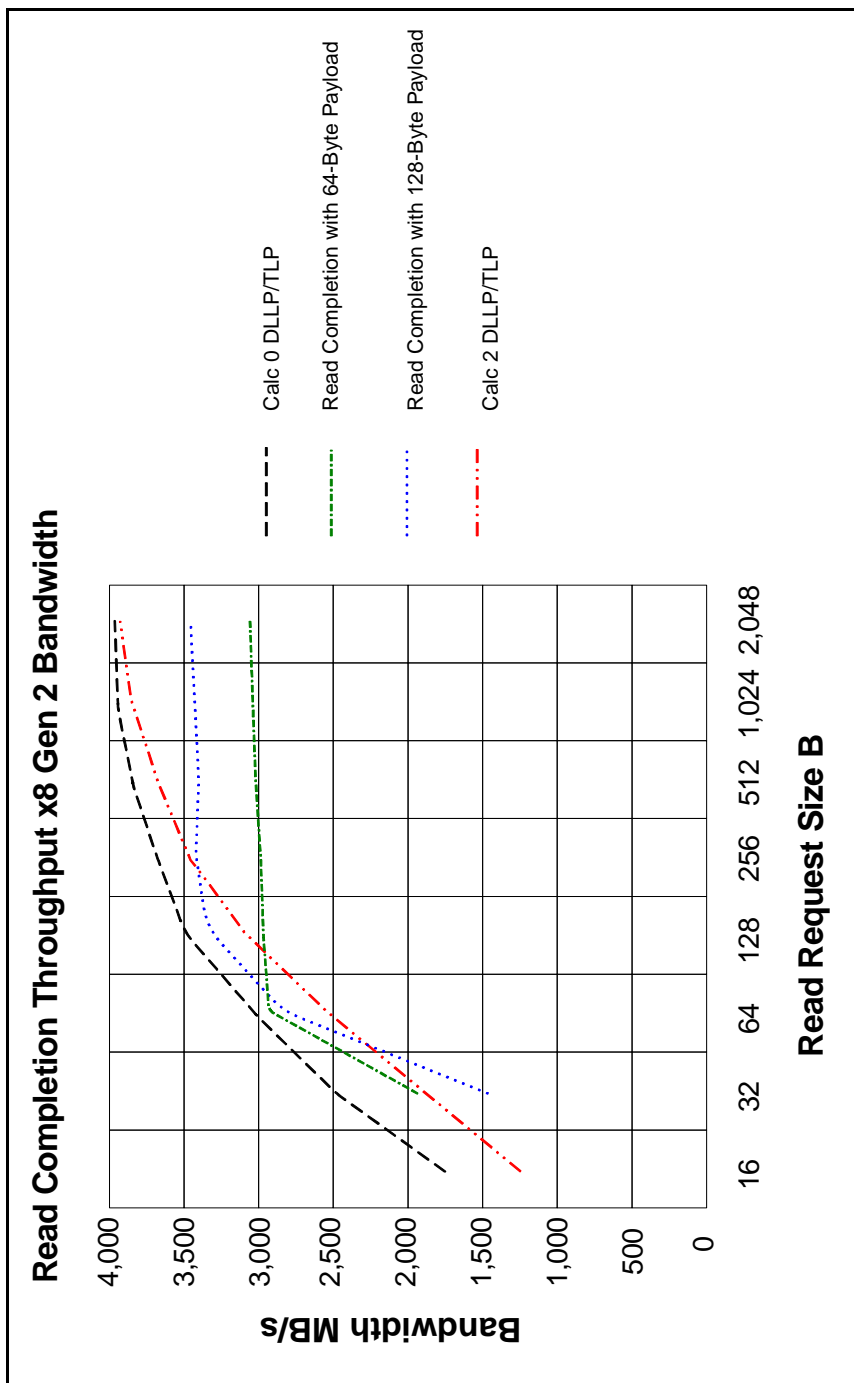


Table 8-7. Measured x8 Gen 2 Read Completion Throughput (in Gigabytes per Second)

| Read Request Transfer Size (Bytes) | x8 Gen 2 Calculated Throughput for Calc 0 DLLP/TLP | x8 Gen 2 Calculated Throughput for Calc 2 DLLP/TLP | x8 Gen 2 PEX 8624 Read Throughput When Receiving Completions Containing 64-Byte Payloads with Default Settings/Behavior | x8 Gen 2 PEX 8624 Read Throughput When Receiving Completions Containing 128-Byte Payloads with Default Settings/Behavior |
|---|---|---|--|---|
| 16 | 1.7715 | 1.2265 | – | – |
| 32 | 2.4525 | 1.8755 | 1.9445 | 1.9705 |
| 64 | 3.0365 | 2.5505 | 2.9350 | 2.8635 |
| 128 | 3.4470 | 3.1105 | 2.9810 | 3.3795 |
| 256 | 3.6965 | 3.4940 | 2.9910 | 3.4040 |
| 512 | 3.8355 | 3.7235 | 3.0020 | 3.4030 |
| 1,024 | 3.9090 | 3.8500 | 3.0040 | 3.4080 |
| 2,048 | 3.9470 | 3.9165 | 3.0060 | 3.4150 |

8.3 DLLP Policies

As previously discussed, DLLP rates can vary from 0 to 2 or more DLLPs/TLP. The PEX 8624 allows programming to affect the DLLP rate. Figure 8-4 through Figure 8-6 illustrate that an increase in DLLPs reduces the total TLP throughput. Therefore, for designs that require high performance, minimize DLLP rates. Transmitting fewer DLLPs, however, can result in credit starvation or Replay buffer overfill, which can have a detrimental effect on TLP bandwidth. Care must be taken when changing the default PEX 8624 DLLP transmission rate.

Typically, TLPs have higher transmission priority on the wire than DLLPs. The PEX 8624, however, allows DLLPs to have higher priority under certain conditions, meaning that DLLPs can transmit before starting a new TLP. The decision to transmit a DLLP ahead of a TLP is referred to as *DLLP policy*.

The PEX 8624 can be programmed to alter its default DLLP policies, to emphasize improved TLP throughput, faster acknowledgement, more credit, or simplest behavior. Default policies work for most applications. Choices for a DLLP policy, however, allow for further optimization.

8.3.1 ACK DLLP Policy

An *ACK DLLP* is a response indicating to the TLP Transmitter that the Receiver received a “good” copy of the TLP, meaning that it acknowledged the receipt of the TLP. The simplest policy is to send 1 ACK for every received TLP, resulting in a 1 DLLP/TLP rate for ACK alone. What an ACK means to the TLP Transmitter is that the TLP Transmitter can remove any stored copy of that TLP, because it is unnecessary to resend the TLP. ACK DLLPs can be combined, so that one ACK DLLP can serve to acknowledge multiple TLPs. This collapsing of ACKs is the basis of the ACK DLLP policy choices. Less-frequent, more-collapsed ACKs have the least impact on TLP transmit bandwidth, meaning that less-frequent ACKs result in less than 1 DLLP/TLP.

The PEX 8624 ACK policy consists of two parts – a Timer and TLP Counter. The default ACK Timer policy/value varies according to the negotiated Gen 1 or Gen 2 mode Link width and MPS, as recommended in the *PCI Express Base r1.1* or *PCI Express Base r2.0*, respectively. Table 8-8 defines some of the possible default values, in symbol times.

Table 8-8. Sample ACK Latency Timer Values

| Maximum Payload Size (Bytes) | x4 Gen 2 (Symbol Times) | x8 Gen 2 (Symbol Times) |
|------------------------------|-------------------------|-------------------------|
| 128 | 124 | 118 |
| 256 | 169 | 158 |
| 512 | 205 | 137 |

The ACK Transmission Latency Timer loads the appropriate value when a TLP is received and known to be good, meaning a few clocks after the END framing symbol is received. The Timer counts down each symbol time (every 4 ns (*PCI Express Base r1.1*) or 2 ns (*PCI Express Base r2.0*)). When the Timer reaches 0, an ACK DLLP takes higher priority over new TLPs (*that is*, an ACK DLLP is transmitted before a new TLP is started). The ACK DLLP transmitted acknowledges all TLPs, up to the most recently arrived good TLP.

The default value for the TLP Counter is 16, meaning a high-priority ACK is scheduled upon the arrival of 16 TLPs. The **Ingress Control Shadow** register *ACK TLP Counter Timeout* field (Port 0, 4, or 8, and also NT Port Virtual Interface if Port 0 is the NT Port, offset 664h[10:9]) value controls the ACK TLP Counter, as follows:

- 00b – Allows 16 TLPs before a high-priority ACK (default)
- 01b – Allows 8 TLPs before a high-priority ACK
- 10b – Allows 4 TLPs before a high-priority ACK
- 11b – Disables the Counter

Either the Timer or Counter mechanism can cause a high-priority ACK DLLP to be scheduled. The time for 16 TLPs can be less than the ACK Timer above, in which case an ACK is sent earlier. The TLP Counter is useful for any system with a large programmed MPS (resulting in a large timer value), that can send short TLPs, *such as* 12-byte Memory Reads. Rather than require the Transmitter to save possibly 100+ small TLPs, it need only save 16, plus whatever else arrives in the round-trip time.

If there is no TLP traffic being transmitted (*that is*, the Transmit Link is idle), an ACK DLLP can be transmitted before the Timer expires. This is an opportunistic low-priority ACK. When an ACK is transmitted, both the Timer and Counter reset, waiting for a new TLP to arrive to begin counting again.

The PEX 8624 allows a programmable override of the default *Ack_Latency_Timer* value, on a per Port basis, by programming the **ACK Transmission Latency Limit** register *ACK Transmission Latency Limit* field (offset 1F8h[11:0]). The value in this register is loaded when a new TLP arrives and a high-priority ACK DLLP is attempted when the Timer reaches 0. For fastest ACK response, this Timer can be programmed to 000h, resulting in one DLLP ACK transmitted immediately per each TLP received. For less impact on Transmit TLP bandwidth, a larger value can be programmed, resulting in less-frequent ACKs.

In general, a slower ACK response does not impact the Receive TLP stream, and aids the TLP Transmit stream. Every PCI Express device contains storage (Retry buffer) for storing TLPs while waiting for ACKs. The amount of Retry buffer storage a device contains is vendor-dependent. The number of TLPs the PEX 8624 can store depends upon the type and size of TLPs received. (Refer to [Section 8.4](#).) The PEX 8624 holds TLPs in the Retry buffer while waiting for an ACK. At some point, if the Retry buffer storage fills, then no new TLPs can be sent until a new received ACK frees up space. In this case, the ACK can become a performance bottleneck.

8.3.2 UpdateFC DLLP Policy

An *UpdateFC DLLP* is transmitted in response to a received TLP. The UpdateFC DLLP replenishes the connected device with additional credit, to allow the Transmitter to transmit more TLPs of that type. Each TLP that arrives consumes credit, and eventually, a stream of TLPs consume all the available credit, unless an UpdateFC DLLP provides additional credit. However, if the connected device has sufficient credit to transmit more TLPs, it is not necessary to transmit UpdateFC DLLPs to it. The UpdateFC policy determines how and when to transmit an UpdateFC DLLP.

There are two parts to the UpdateFC policy – frequency of transmitting the updates and credit amount. This section discusses only the frequency. Refer to [Section 8.4](#) for details regarding credit amounts.

If the PEX 8624 is not transmitting TLPs (*that is*, the Transmit Link is idle), and credit to replenish the credit used becomes available, the PEX 8624 immediately transmits an UpdateFC DLLP to the connected device. This is an opportunistic, low-priority UpdateFC DLLP.

However, if the PEX 8624 is busy transmitting TLPs to the connected device, the switch does not transmit an UpdateFC DLLP until a programmed threshold is crossed. The PEX 8624 provides four threshold options – 100%, 75% (default), 50%, and 25%. Whenever the remaining credit drops below the programmed threshold, an UpdateFC DLLP is given high priority, meaning that the UpdateFC DLLP is transmitted before a new TLP is started. There is a separate threshold for Header and Payload credits, for each TLP type – Posted, Non-Posted, and Completion – for each Port in the Station, located in the **Ingress Credit Handler (INCH) Threshold** registers (Port 0, 4, or 8, and also NT Port Virtual Interface if Port 0 is the NT Port, offsets A00h through A38h).

Note: A Station is an internal grouping of up to eight SerDes Lanes that are bound together. For the PEX 8624, there can be at most two Ports per Station. There can, however, be as few as one Port per Station.

The example of UpdateFC options (provided in [Table 8-9](#)) chart how, for the various options, an UpdateFC is triggered. This example is for a traffic stream of six back-to-back, 256-byte Posted TLPs, using a x4 Port, where the maximum Posted Header credit is 25 and the maximum Posted Payload credit is 128. A 256-byte Payload requires 16 credits (1 credit per 16 bytes). Therefore, each TLP in this case consumes 1 Header and 16 Payload credits.

Once a high-priority UpdateFC is triggered, if there are sufficient on-chip resources to do so, the running credit deficit is fully restored. For most non-congested applications, it is likely that ample chip resources will exist, to fully restore credit with every UpdateFC. However, if resources are running low, only a portion of the running credit is restored. If the threshold for transmitting an UpdateFC remains crossed, then, as more resources become available, a subsequent DLLP is transmitted until the deficit is satisfied.

Selecting the 100% policy results in a high-priority UpdateFC for every TLP received. By itself, this policy results in 1 DLLP/TLP, without factoring in the ACK policy. The 75% policy triggers 1 DLLP for every 2 TLPs for this traffic load, which results in 0.5 DLLP/TLP without the ACK. The 50% policy results in 0.25 DLLP/TLP, and the 25% policy results in 0.16 DLLP/TLP.

Table 8-9. Example UpdateFC Options

| TLP Received | Running Credit Header, Payload Consumed/Total | 25% Remains Triggers when 6 Header or 32 Payload Credits Remain | 50% Remains Triggers when 12 Header or 64 Payload Credits Remain | 75% Remains Triggers when 18 Header or 96 Payload Credits Remain | Less than 100% Remains Update ASAP |
|--------------|---|--|---|---|---------------------------------------|
| TLP0 | 24/25, 112/128 | – | – | – | UpdateFC |
| TLP1 | 23/25, 96/128 | – | – | UpdateFC | UpdateFC |
| TLP2 | 22/25, 80/128 | – | – | UpdateFC | UpdateFC |
| TLP3 | 21/25, 64/128 | – | UpdateFC | UpdateFC | UpdateFC |
| TLP4 | 20/25, 48/128 | – | UpdateFC | UpdateFC | UpdateFC |
| TLP5 | 19/25, 32/128 | UpdateFC | UpdateFC | UpdateFC | UpdateFC |

8.3.3 Unidirectional DLLP Policies

For unidirectional traffic, the PEX 8624 DLLP policies allow the most-frequent DLLPs, because DLLPs do not interfere with TLPs. (DLLPs flow in the opposite direction of TLPs.)

The PEX 8624 can transmit a DLLP ACK almost immediately upon receiving and verifying a TLP. A faster ACK results in fast Transmitter de-allocation of the TLP, and can therefore allow a shallow TLP Replay buffer. The default values can be overwritten, to increase or decrease the ACK DLLP rate. For unidirectional traffic, a small number, *such as* 1, is recommended.

The number programmed into the **ACK Transmission Latency Limit** register *ACK Transmission Latency Limit* field (offset 1F8h[11:0]) sets the ACK Transmission Latency Timer, to count the number of symbol times after receiving a TLP, before transmitting an ACK.

Similar to the ACK programmability, the PEX 8624 can immediately transmit an UpdateFC after receiving only the TLP Header. By transmitting an UpdateFC earlier, the total credit advertised can be minimized. For large Payloads (*such as* 1,024 and 2,048 bytes), reserve PEX 8624 resources only as necessary. By programming fewer credits and having a fast UpdateFC policy, the system does not run out of credits and the PEX 8624 does not waste Buffer space on reservations that do not arrive. The following are the recommended settings:

- Set the UpdateFC policy for unidirectional traffic to 100%
- Set the credits to be sufficient to allow 3 to 4 TLPs

8.4 Ingress Resources

The PEX 8624 includes two types of on-chip RAM – Header RAM and Payload RAM. Each Station partitions its Header RAM into 256 Header credits and Payload RAM into 2,048 Payload credits. By design, the PEX 8624 reserves 12 Header credits and 32 Payload credits for various operational cases.

The STRAP_STNx_PORTCFGx inputs configure the quantity of enabled Ports in each Station, and the Link width of each Port. At initialization, the PEX 8624 optimally assigns the credits, based upon the selected Port configuration.

Header RAM stores TLP Headers, meaning that every Header credit advertised reserves one Header RAM location, and every TLP on the PEX 8624 uses one Header RAM location. There are 244 Header RAM entries available, per Station.

Payload RAM stores TLP Payload. Payload credit is in units of 16 bytes. Of the 2,016 user-configurable entries, 4 credits must be allocated for each Posted and Completion Header credit advertised. These credits are used internally, for linking Posted and Completion TLP Payload to their respective Header.

Every Port receives and transmits the following three traffic types (packets):

- Posted (P)
- Non-Posted (NP)
- Completions (Cpl)

All three traffic types need credit, for each Port. The **INCH Threshold** register bit fields (refer to [Table 8-13](#)) allocate the credit to be reserved (and advertised) for each Port and traffic type. Once allocated, the credits remain dedicated to each Port and traffic type.

As TLPs arrive, they are stored on the PEX 8624, until an ACK is received from the final destination. Until the ACK is received, each TLP stored consumes credit, and continues to occupy RAM until released. The RAM/credit is released only after the Receiver has acknowledged to the sender the arrival of the TLP, without any errors per ACK/Negative Acknowledge (NAK) policy. The total number of TLPs stored, but not yet forwarded to, and acknowledged by, the next PCI Express device, depends upon congestion and the ACK policy of the next PCI Express device.

There are trade-offs between the number of credits allocated for a particular traffic type and Port combination, perhaps more for one system configuration than another. To alleviate these trade-offs, the PEX 8624 contains an innovative Dynamic Buffering design that allows a programmable-sized portion of the RAM to store any of the three traffic-type TLPs from any Port associated with that Station. The credits that remain after allocating credits for each of the three traffic types, for each Port, become part of a *Dynamic buffer*. The Dynamic buffer is essentially a common pool of credits, and is discussed in detail in [Section 8.4.2](#) and [Section 8.4.3](#).

The PEX 8624 default credit allocation values, which create a sizeable Dynamic buffer for each of the possible Port configurations, are optimal for most applications. Detailed tables of the default initial credit allocation for all three TLP types, and an explanation of the common credit pool, are addressed in the following sections.

8.4.1 Initial Credit Allocation

The PEX 8624 default credit allocation values depend upon the strapped Link width, not the negotiated Link width. The initial credit values that the Initialization Flow Control (InitFC) DLLP advertises on a per-Port basis, which the PEX 8624 transmits after Linkup, are listed in [Table 8-10](#) (in credits) and [Table 8-11](#) (in bytes).

The amount of credit that a Port initially advertises is controlled by the **INCH Threshold** register field Settings (Port 0, 4, or 8, and also NT Port Virtual Interface if Port 0 is the NT Port, offsets A00h through A38h). (Refer to [Section 8.4.3](#).) The default value of these registers changes, depending upon the STRAP_STNx_PORTCFGx input levels. In some cases, the Dynamic Buffer will allocate one to two additional initial Payload credits out of the common pool. If this occurs, the Port will advertise this additional initial credit.

Table 8-10. Initial Credit Allocation in Credits (where 1 Header credit means storage is available for all Header bytes and 1 Payload Credit = 16 bytes)

| Port Configuration | Posted Header/Payload | Non-Posted Header/Payload | Completion Header/Payload |
|-------------------------|-----------------------|---------------------------|---------------------------|
| Upstream Port | | | |
| x8 | 32/128 | 22/infinite | 32/144 |
| x4 | 16/128 | 12/infinite | 18/128 |
| Downstream Ports | | | |
| x8 | 46/144 | 29/infinite | 22/128 |
| x4 | 25/128 | 16/infinite | 12/128 |

Table 8-11. Initial Credit Allocation in Credits for Header (where 1 Header credit means that storage is available for all Header bytes; Payload credits are listed in bytes)

| Port Configuration | Posted Header/Payload | Non-Posted Header/Payload | Completion Header/Payload |
|-------------------------|-----------------------|---------------------------|---------------------------|
| Upstream Port | | | |
| | 64/2,048 | 32/infinite | 64/4,096 |
| x8 | 32/2,048 | 22/infinite | 32/2,304 |
| Downstream Ports | | | |
| | 88/4,352 | 55/infinite | 32/2,048 |
| x8 | 46/2,304 | 29/infinite | 22/2,048 |

8.4.2 Dynamic Buffering

The PEX 8624 default credit values are optimal for most applications, to maintain back-to-back TLP traffic indefinitely, without running out of credit. After any of the initial credit (storage space) is used, more resources are automatically made available from the Dynamic buffer, to maintain the initial credit allotment. These additional resources are not reserved ahead of time. Therefore, they can be used for any of the three TLP types – Posted, Non-Posted, or Completion (P, NP, or Cpl, respectively). Because the TLP type is not pre-specified, these extra resources are termed a *common credit pool*.

When credit is actually replenished depends upon the UpdateFC DLLP policy (refer to [Section 8.3.2](#)), which is controlled by Setting the **INCH Threshold** register *UpdateFC High-Priority Threshold* fields (Port 0, 4, or 8, and also NT Port Virtual Interface if Port 0 is the NT Port, offsets A00h through A38h[19:18, 17:16], as appropriate). These thresholds are relative to the initial credits allocated to a Port. Common Pool credits that are allocated to a Port before a high-priority UpdateFC DLLP is sent can be de-allocated if the Port's initial credits are restored before the UpdateFC DLLP is sent.

The common credit pool for Header and Payload credit is as follows:

- **Common Header pool** – What remains after subtracting the advertised Header credits for each of the three TLP types, for each Port in the Station, from the configurable Header RAM space. [Figure 8-8](#) illustrates the way in which the PEX 8624 Header RAM is partitioned (by default) for an upstream x8 Port.
- **Common Payload pool (Common Payload/Completion pool)** – What remains after subtracting the following from the Payload RAM:
 - 4 credits for each Posted and Completion Header Credit advertised, for each Port in the Station
 - Posted (Payload) credits advertised for each Port in the Station
 - Completion credits advertised for each Port in the Station

[Figure 8-9](#) illustrates the way in which the PEX 8624 Payload (and Completion) RAM is partitioned (by default) for an upstream x8 Port.

Figure 8-8. Upstream x8 Default Configuration of Header RAM (256 Total Credits)

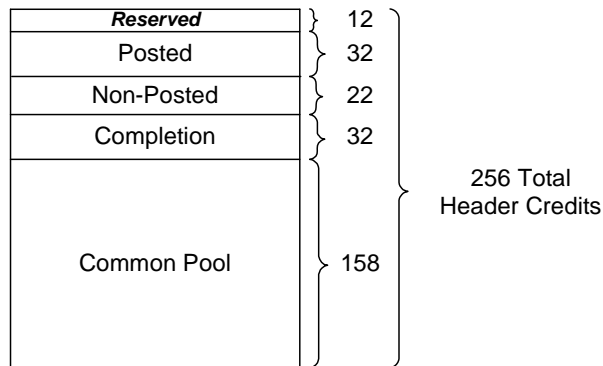
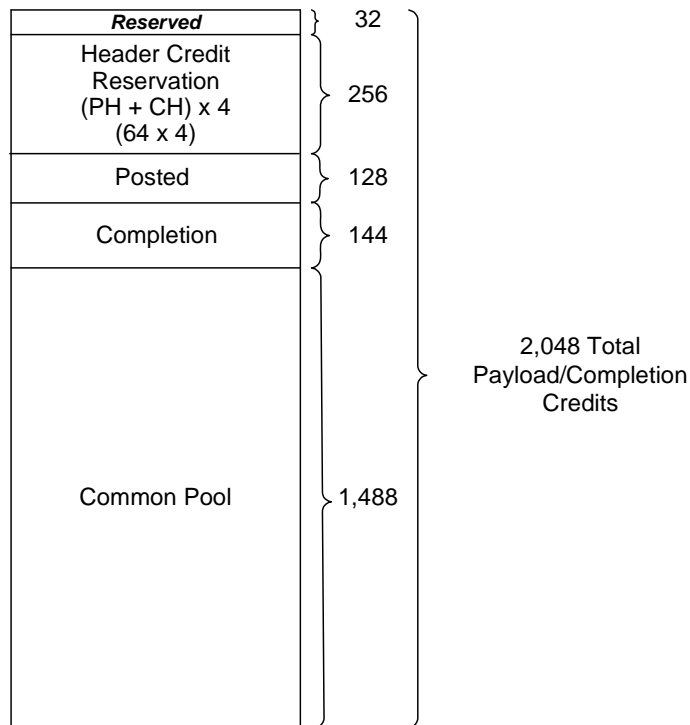


Figure 8-9. Upstream x8 Payload/Completion RAM Default Configuration of 2,048 Credits



A larger common pool allows the most flexibility for handling any possible instantaneous traffic stream, without backpressuring ingress flows. The PEX 8624's initial credit allocation default Settings leave sufficient on-chip RAM to accommodate numerous large TLPs in the common pool, after default values for the initial credits are subtracted. [Table 8-12](#) summarizes the common pool default allotment for each Port configuration (number of Ports/Station).

Table 8-12. Port Configuration Common Pool Default Allotments

| Number of Ports/Station | Common Pool Header Credits Upstream/Downstream | Common Pool Payload Credits Upstream/Downstream |
|-------------------------|--|---|
| 1 | 158/147 | 1,488/1,472 |
| 2 | 152/138 | 1,232/1,208 |

Notes:

1. *Upstream pool values are calculated for a Station that contains the upstream Port, wherein the upstream Port has the greatest width.*
2. *Downstream pool values are calculated for Stations that only have downstream Ports.*
3. *Actual RAM usage for TLP and Header storage and linking is variable.*
4. *The subtraction of 4 credits for each Posted and Completion Header credit advertised, for each Port, is a simplification – the Common Pool credit values can be larger.*

8.4.3 Ingress Credit Handler Threshold Registers (Offsets A00h through A38h)

For each Port, there are three sets of **INCH Threshold** registers (Port 0, 4, or 8, and also NT Port Virtual Interface if Port 0 is the NT Port, offsets A00h through A38h) – Posted, Non-Posted, and Completion. Table 8-13 lists the lower 16 bits for each register. (To view the complete register set, refer to Section 12.16.10, “Device-Specific Registers – Ingress Credit Handler Threshold (Offsets A00h – B7Ch).”)

The **INCH Threshold** registers are Station-based and located at the Port offsets, starting with Ports 0, 4, and 8. To select Station 0, 1, or 2, the upper four bits [15:12] of the address are 0000b, 0100b, or 1000b, respectively, while the lower 12 bits select the register.

The Non-Posted credits for Payload are Cleared, which equates to infinite credits. Because Non-Posted TLPs only have a 1-DWord Payload, they will never be longer than 5 DWords. Because the Header RAM is 5 DWords wide, only one Non-Posted Header credit is necessary to store a Non-Posted TLP.

Table 8-13. INCH Threshold Registers (Offsets A00h through A38h), Payload and Header Credit Fields

| Ports | Register Offset ^a | Type | Payload | | Header | |
|---------|------------------------------|------------|---------|--------------------|--------|---------------|
| | | | Bit(s) | Description | Bit(s) | Description |
| 0, 8 | A00h | Posted | 8:3 | Payload Credit x 8 | 15:9 | Header Credit |
| | A04h | Non-Posted | 8:0 | 000h (infinite) | 15:9 | Header Credit |
| | A08h | Completion | 8:3 | Payload Credit x 8 | 15:9 | Header Credit |
| 1, 5, 9 | A18h | Posted | 8:3 | Payload Credit x 8 | 15:9 | Header Credit |
| | A1Ch | Non-Posted | 8:0 | 000h (infinite) | 15:9 | Header Credit |
| | A20h | Completion | 8:3 | Payload Credit x 8 | 15:9 | Header Credit |
| 6 | A30h | Posted | 8:3 | Payload Credit x 8 | 15:9 | Header Credit |
| | A34h | Non-Posted | 8:0 | 000h (infinite) | 15:9 | Header Credit |
| | A38h | Completion | 8:3 | Payload Credit x 8 | 15:9 | Header Credit |

a. The Station 1, Port 4 register offset is **Software Only**.

8.4.4 Adjusting Initial Credit Values (Ingress Resources)

The default Initial Credit values listed in [Table 8-10](#) and [Table 8-11](#) can be changed on a per-Station basis; however, to do so, the values must be changed before the initial advertisement by serial EEPROM or I²C. It is also possible to use software to program the Credit registers over the Link; however, if the Link is up, credit cannot be removed, and values can only be increased. The Credit registers are sticky – a Hot Reset preserves any programmed values, and thereby allows any of the available programming methods to program credits at any time, even after the Link is up, if a Hot Reset is issued afterward to re-run the InitFC sequence.

When changing any credit value, follow the rules outlined in this section; otherwise, the credit can be incorrectly issued and data can be lost.

Credit is partitioned/programmed on a per-Station basis. Per the *PCI Express Base r2.0*, the minimum initial credit must be sufficient to meet the credit requirements of the MPS. To meet this requirement with a 2,048-byte MPS, the minimum credit value assigned to a Port, for both Posted and Completion TLPs, must be 128 credits each (one credit represents 16 bytes of storage).

Additionally, because each TLP may not optimally fill each location in the internal RAM, the Header credit affects Payload credit used to store the Payloads. Therefore, for every Posted or Completion Header credit reserved, 4 credits from the Payload/Completion RAM must also be held in reserve.

The following abbreviations are used in the rules outlined in this section:

- *PH* is the total Posted Header credits advertised or that can be stored
- *NPH* is the total Non-Posted Header credits advertised or that can be stored
- *CH* is the total Completion Header credits advertised or that can be stored
- *MPS* is the Maximum Payload Size
- *Hmax* is the maximum number of Header credits that can be assigned, per Station
- *Pmax* is the maximum number of Payload and Completion credits

The total credit advertised, per Station, must follow these rules:

1. Sum of all Header credits $\leq H_{max} = 244$.
Sum of all Header credits = sum (all Ports PH + NPH + CH).
2. Payload and Completion credit must be sufficient for 1 MPS, for each Port.

Note: Non-Posted Payload credit is infinite and Read-Only.

3. Sum of all Payload and Completion credits assigned, per Station,
is $\leq P_{max} = 2,016 \leq (\text{Advertised Posted Payload} + \text{Advertised Completion Payload} + (4 \times (\text{sum of all Ports PH} + \text{CH})))$

Programming Example – To satisfy these rules, the following example is presented, using the default values of a Station strapped to have two downstream x4, x4 Ports.

1. From [Table 8-10](#), the sum of all Header credits = $2 \times (25 + 16 + 12) = 106$, which is $\leq H_{max} = 244$.
2. For a 2,048-byte MPS, 128 credits must be allocated/advertised for both a Posted and Completion Payload, for each Port. Therefore, for both Ports, this uses 2×256 credits, or 512 Payload/Completion credits.
3. For this case, the Payload/Completion credits used = 512 credits + 4 credits ($2 \text{ Ports} \times (25 + 12)/\text{Port}$) = 808 credits which is $\leq P_{max} (2,016)$.

For this example:

- Common Header Pool = $(244 - 106) = 138$ Header Credits
- Common Payload/Completion Pool = $(2,016 - 808) = 1,208$ Payload/Completion Credits

8.4.5 Credit Allocation When Common Pool Is Consumed

A Station's common credit pool is consumed by any Port's Ingress or Egress queue, on a first-come, first-served basis, until the entire common pool is consumed. Once the Station's common pool is completely consumed (and therefore each Port's credit), the PEX 8624 is in a congested state. In the congested state, the PEX 8624 is unable to provide additional credit, to any Port, until credit is released. Credit is released only after the Receiver acknowledges the packet with an ACK. In this state, the **INCH Threshold Station x Port x VC0 Posted** register *Congested Port Weight* field (Port 0, 4, or 8, and also NT Port Virtual Interface if Port 0 is the NT Port, offsets [A00h](#), [A18h](#), and [A30h\[22:20\]](#)) provides a method for users to weight each Port's request for more credit, from the Station's internal credit allocation logic.

In the congested state, the Station's internal credit allocation logic decides which Port will receive the next available credit, by evaluating the following:

- Each Port's *Congested Port Weight* field Setting
- Number of Common Pool credits that Port has already consumed
- Recent history of which Ports have recently received credit

By default, the *Congested Port Weight* field for each Port is Cleared. The default value is called an *effective rate setting*. For the default case, if the Station is configured into two Ports (x4, x4) each Port receives credits based upon on the Port's width. One x4 Port would receive 50% of the credit updates, and the other x4 Port would receive 50% of the remaining credits as they become available.

[Table 8-14](#) defines the *Congested Port Weight* field values. Requests are weighted, based upon the Port's effective Link width, relative to the effective Link widths of the other Stations' Ports. Settings can reduce or increase a Port's effective rate, down to x1 or up to x8, respectively. (*That is*, regardless of the actual Link width, a Link can only be reduced to a x1 effective rate, or increased to a x8 effective rate.) The effective Link Width Request weight is calculated, by multiplying the Port's negotiated Link width (not strapped width) times the *Congested Port Weight* field Setting.

The Station's internal credit allocation logic decides how to allocate the Common Pool credits, as they become available in a congested scenario. Regardless of the Common Pool credit availability, each Port maintains ownership of the credits that were initially allocated to it. Those dedicated credits are replenished to their assigned Port, once an ACK is received from the final destination.

The effective rate setting applies to both the Common Header and Common Payload/Completion pools, for the selected Station and Port. Although the effective rate setting is in the **INCH Threshold Station x Port x VC0 Posted** register, the value applies to credit updates for all three possible traffic types (Posted, Non-Posted, and Completion).

Table 8-14. INCH Threshold Station x Port x VC0 Posted Register *Congested Port Weight* Field (Port 0, 4, or 8, and also NT Port Virtual Interface if Port 0 is the NT Port, offsets A00h, A18h, and A30h[22:20]) Values

| <i>Congested Port Weight Setting (Bits [22:20])</i> | Description |
|--|---|
| 000b = eff_rate | Request is weighted, based upon the Port's Link width relative to the effective Link widths of the other Stations' Ports. |
| 001b = 2x eff_rate | Increases the weight of a Request by 2x. |
| 010b = 4x eff_rate | Increases the weight of a Request by 4x. |
| 011b = 8x eff_rate | Increases the weight of a Request by 8x. |
| 100b = 0 | Port receives no credit out of the common pool, until a decongested state is reached. |
| 101b = eff_rate/2 | Decreases the weight of a Request by 2x. |
| 110b = eff_rate/4 | Decreases the weight of a Request by 4x. |
| 111b = eff_rate/8 | Decreases the weight of a Request by 8x. |

8.4.6 INCH Port Pool Registers (Offset 940h)

The **INCH Port Pool Setting for Stations 0, 1, and 2 (INCH Port Pool)** registers (Port 0, 4, or 8, and also NT Port Virtual Interface if Port 0 is the NT Port, offset 940h) are registers whose original intent was to provide another level of reservation for Common Pool credits. These registers are essentially redundant to what is accomplished by changing the values of the **INCH Threshold** registers (Port 0, 4, or 8, and also NT Port Virtual Interface if Port 0 is the NT Port, offsets A00h through A38h).

Consider the INCH Port Pool registers to be reserved and only change the credit Settings, using the INCH Threshold registers. Do not change the INCH Port Pool registers from their default values, unless directed otherwise by PLX Technical Support.

The **INCH Port Pool** registers initial values are provided in sets of two for each Port – Payload pool and Header pool. Table 8-15 lists the bit decode for each Port.

The initial values of the **INCH Port Pool** registers are all Cleared, which means that by default, there is no additional level of reservation. Additionally, the **INCH Threshold** registers default values evenly allocate all available credit, across all enabled Ports.

Table 8-15. INCH Port Pool Setting for Stations 0, 1, and 2 Registers (Offset 940h)^a

| Ports | Payload Pool Bit(s) | Header Pool Bit(s) |
|---------|---------------------|--------------------|
| 0, 8 | 2:0 | 6:4 |
| 1, 5, 9 | 10:8 | 14:12 |
| 6 | 18:16 | 22:20 |

a. The Station 1, Port 4 register offset is **Software Only**.

8.4.7 Wait for ACK – Avoiding Congestion

Once a TLP arrives, it remains on the PEX 8624 until it is no longer required. The TLP can quickly egress the PEX 8624. However, until an ACK is received, indicating that the TLP was correctly received, each TLP must remain on the PEX 8624 and be ready to be re-sent multiple times. While on the PEX 8624, the TLP continues to use common pool resources.

The *PCI Express Base r2.0* recommends sending an ACK within the approximate time it takes to send 1.5 to 3 MPS TLPs. It does not, however, suggest that smaller TLPs obtain faster ACKs. This data book describes the way in which the PEX 8624 sends an ACK. However, the PEX 8624, has no way of knowing its Link partner's ACK policy.

To minimize the amount of TLPs stored on the PEX 8624 while waiting for an ACK, follow these guidelines:

- Avoid traffic patterns where a great deal of back-to-back TLP bytes travel from a wide Link to a single narrow Link, because the narrow Link can only forward TLPs at a fraction of the ingress rate. *For example*, if a 4-KB MRd is transmitted upstream from a x4 Port and the upstream Port is x8, the upstream Port transmits a 4-KB CPLD to the Requester, two times faster than the Requester can receive the data. If the Requester transmits many of these MRd Requests, large amounts of CPLD data that require storage on the PEX 8624 will quickly accumulate.
- If there are many small TLPs, determine whether the PEX 8624's ACK response time can be reduced, as per the *PCI Express Base r2.0* guidelines.
- Evenly space the TLP pattern, rather than use a burst of many back-to-back TLPs followed by a long stall, to even the distribution and accommodate a fixed ACK Transmission Latency Timer.

8.5 Latency

Latency is the length of time it takes to proceed from one event to another. Latency can be measured in several different ways, but perhaps the most common measurement for a switch is *Start TLP-to-Start TLP (STP-to-STP) latency*. Figure 8-10 and Table 8-16 illustrate an STP-to-STP latency measurement. When the Egress Start TLP symbol is transmitted out of a switch before the Ingress Port End symbol arrives, the transfer is termed *Cut-Thru*. If the Destination Port is not congested, the PEX 8624 always cuts the packet through. The PEX 8624 has the same latency, regardless of whether the traffic is upstream or peer-to-peer.

As expected with the PEX 8624 Cut-Thru architecture, STP-to-STP latency is basically constant for all Payload sizes, from any width to the same width or smaller, as indicated by the shaded-green entries in Table 8-16. A faster Link can receive the Header for decode faster, with a slightly lower latency. For cases in which the egress Port has a higher bandwidth than the ingress Port, then a fraction of the packet:

$$F = (E - I) / E$$

must be stored, before the TLP can be forwarded without running out of data in the middle of transmission.

where

- *F* is the fraction sum
- *E* is egress bandwidth
- *I* is ingress bandwidth

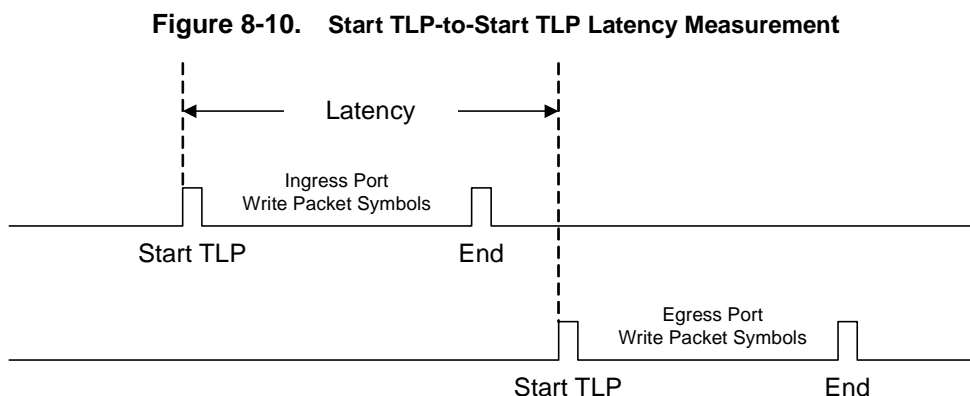


Table 8-16. Sample STP-to-STP Latency

| Latency for TLP with a Data Payload of 4/64/256 Bytes (in ns) | | | |
|---|-------------|-------------|---------------|
| Ingress | | | |
| | x8 Gen 2 | x4 Gen 2 | x1 Gen 1 |
| Egress | | | |
| x8 Gen 2 | 148/157/157 | 154/183/233 | 237/479/1,248 |
| x4 Gen 2 | 151/159/156 | 154/158/157 | 238/478/1,246 |
| x1 Gen 1 | 148/157/158 | 150/157/158 | 238/381/381 |

8.5.1 Host-Centric Latency

Host-centric traffic flows only to or from the Host. Host-centric latency depends upon the number of active streams. If there is only one active stream, or if the total Host bandwidth is greater than or equal to the sum of all traffic streams, the traffic is well-balanced and the latency measurements provided in [Table 8-16](#) apply.

If there is more traffic than an upstream Host can sink, congestion occurs when all the TLPs concurrently attempt to use the limited Host bandwidth. The latencies in that case depend upon the level of traffic congestion. In this case, Host bandwidth is at 100%, but the total downstream bandwidth is more than the Host bandwidth, and latencies continue to increase until the congestion eases.

Another case of increased latency is if the Host serially sends large amounts of Read Completion data to one downstream Port and then another downstream Port. *For example*, if the upstream Port is x8 and the two downstream Ports are both x4, it appears that there should not be a latency build-up, because the bandwidth matches. However, if the Host cannot interleave the destinations, one destination must wait until the Host completes transmitting traffic to the other destination, before it can receive any Read Completion data. In this case, the round-trip Read latency can significantly increase.

For example, suppose that one downstream Port transmits 16, 4-KB MRd Requests upstream. Those Read Requests represent 64 KB of data. If the upstream Port is x8 and the downstream Port is x4, the Read Completions back up into the PEX 8624, perhaps all the way to the Root Complex. Suppose another downstream Port transmits only one, 1-KB MRd Request upstream, shortly after the 16, 4-KB MRds were received by the Root Complex. For many Root Complexes, this one, 1-KB Read Request from the second device must wait for the 16, 4-KB MRd Requests from the first device to complete before being serviced. The PEX 8624 buffer is approximately 10 KB; therefore, the second downstream device must wait for (64-10) 54 KB of Completion data to transmit across a x4 Link before it begins to receive its Read Completions. On a x4 Link, 54 KB takes about 48 μ s, which significantly increases the second device's latency. The PEX 8624 contains Read Pacing logic that prevents this type of latency increase that occurs when multiple devices concurrently read data from the Root Complex. (Refer to [Section 8.7](#).)

8.5.2 Peer-to-Peer Latency

If there is no congestion, peer-to-peer latencies match the best-case values listed in [Table 8-16](#). The PEX 8624 has the same latency, regardless of whether the traffic is Host-centric or peer-to-peer. Latency is constant in the non-congested case, no matter the Source Port nor Destination Port, if the Source Port has the same or greater bandwidth than the Destination Port.

The discussion for Host-centric traffic applies to all Ports for peer-to-peer traffic. It is recommended that there be a method outside the scope of this data book, however, for balancing traffic flow for peer-to-peer applications.

8.5.3 Other Latency Measurements

In addition to STP-to-STP latency, there are other latencies to consider. [Table 8-17](#) lists various best-case latencies for several Link widths and speeds. Transmitted DLLPs can be required to wait for a TLP. DLLP policies can prevent sending a DLLP for a time period longer than the best case.

Table 8-17. Miscellaneous Best Case Link Latencies (in ns)

| Latency ^a | x8 Gen 2 | x4 Gen 2 |
|-------------------------------------|----------|----------|
| STP in to UpdateFC SDP ^b | 162 | 163 |
| TLP's END in to ACK SDP | 114 | 120 |
| UpdateFC SDP in to STP | 138 | 138 |
| STP in to UpdateFC SDP | 162 | 163 |

- a. Gen 1 latency values are expected to be the same as, or very close to, Gen 2 latency values.
- b. SDP is "Start DLLP".

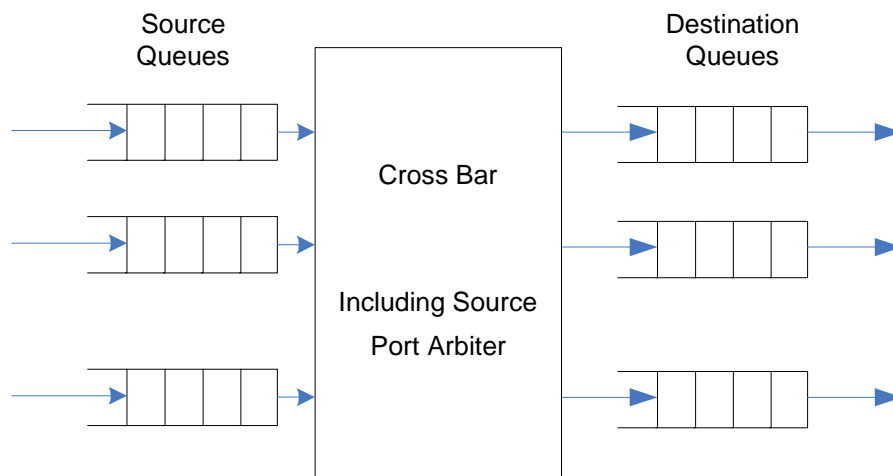
8.6 Queuing Options

On-chip queuing does not exist in balanced bandwidth scenarios, where the total ingress bandwidth is less than or equal to the egress bandwidth. In the common case, where the total ingress bandwidth is greater than the egress bandwidth, queues develop on the PEX 8624. The PEX 8624 provides two alternatives to where to locate such queuing (refer to [Figure 8-11](#)):

- **Destination queue** – Associated with a single Destination Port. All the TLPs in a Destination queue will egress out the same Port.
- **Source queue** – Associated with a single ingress Port. All the TLPs in a Source queue come from the same Port.

Each queue is discussed in the sections that follow.

Figure 8-11. On-Chip Queuing



8.6.1 Destination Queuing

Note: For the queuing examples provided in this section, “Port 1” indicates “first Port,” not the Port physically identified as Port 1.

The default behavior is for all queues to develop at the Destination Port. If TLPs are arriving from four sources to a common Destination Port, the TLPs are scheduled according to First-In, First-Out (FIFO). The crossbar can forward a TLP every 4 ns, to each Destination queue; therefore, it is unlikely that a Source queue can develop or last very long.

A Destination queue develops whenever the *ingress rate* – the sum of all ingress Ports targeting a Destination Port – exceeds the egress rate. A Destination queue might also develop in a credit-starved situation, where there is no credit available to forward TLPs.

For example, if TLPs arriving from four sources all go to a common Destination Port, the TLPs are scheduled, based upon the order in which they arrive at the Destination queue FIFO^a. If all four flows are equally active, the TLPs naturally interleave as 1,2,3,4,1,2,3,4. If three of the Ports, however, have a head start before the fourth Port turns On, the output can be 1,2,3,1,2,3,1,2,3,1,2,3,1,2,3,4,1,2,3,4. In this case, all the new Port (Port 4) TLPs must wait for the earlier Port 1,2,3 traffic to be transferred before the Port 4 TLPs can be transferred. Therefore, the latency for Port 4 traffic to travel through the PEX 8624 can widely vary, based upon the traffic passing through the switch.

a. Conventional PCI Strong Ordering rules can override the FIFO. Conventional PCI requires Posted TLPs to be able to pass Non-Posted and Completion TLPs, to avoid deadlock.

8.6.2 Source Queuing

Caution: *Source Queuing and Read Pacing should not be concurrently enabled. The two features are incompatible and doing so can result in Fatal errors.*

Note: *For the queuing examples provided in this section, “Port 1” indicates “first Port,” not the Port physically identified as Port 1.*

Source queuing can be enabled for applications that require deterministic bounded latency for a few Ports, while the latency for other Ports is not as important.

Source queuing limits the Destination queue depth. When the Destination queue reaches the maximum depth, any subsequent TLPs targeting that Port are not forwarded, but are queued up in a per-Source Port-based queue. The Source Port queue does not forward TLPs until the Destination queue drops to a programmed threshold, upon which TLP forwarding is re-enabled.

Note: *A Source Port queue that cannot forward to a Destination queue blocks all subsequent TLPs arriving on that same Source Port, although the target Port is a different destination.*

The **Port Egress TLP Threshold** register (offset F10h) controls the minimum and maximum queue depths. [Table 8-18](#) summarizes the register bit Settings. The Port Lower TLP Counter is the quantity of TLPs that the Destination queue must reach after becoming saturated, before re-enabling TLP forwarding. The Port Upper TLP Counter is the number of TLPs that can be queued in the Destination queue.

In the Destination queue example provided in [Section 8.6.1](#), the early arriving Port 1,2,3 TLPs stalled Port 4’s TLP for an indeterminate length of time. By programming, with source queuing enabled and a Destination Port Lower TLP Counter programmed to 1 and Port Upper TLP Counter programmed to 3 (TLPs), the worst case is that Port 4 must wait for three TLPs (1,2,3) before getting its first turn. With these Settings, the example TLP output would be 1,2,3,4,1,2,3,4,1,2,3,4. The *turn to be forwarded* refers to a Port arbitration wait, described in [Section 8.6.3](#).

To avoid unnecessary idles on the destination Link, program a Port Lower TLP Counter of 1, and a Port Upper TLP Counter of 2.

Table 8-18. Port Egress TLP Threshold Register Port Lower and Upper TLP Counts (Offset F10h)

| Bit(s) | Name | Description |
|--------|-------------------------------|--|
| 10:0 | Port Lower TLP Counter | When Source Scheduling is disabled due to the Port Upper TLP Counter (threshold) being exceeded, Source Scheduling is re-enabled when the Port TLP Counter goes below the Port Lower TLP Counter (this threshold). Because the default Setting of this field is 7FFh (2,047), which is greater than the maximum amount of TLPs that can be queued in the PEX 8624, the Source Scheduler is disabled, by default. |
| 26:16 | Port Upper TLP Counter | When the Port TLP Counter is greater than or equal to this value, the Source Scheduler disables TLP Scheduling to this egress Port. Because the default Setting of this field is 7FFh (2,047), which is greater than the maximum amount of TLPs that can be queued in the PEX 8624, the Source Scheduler is disabled, by default. |

Note: *Bits not identified in [Table 8-18](#) are reserved.*

8.6.3 Port Arbitration

In the crossbar that connects the Source queues to the Destination queues, there is a Port Arbiter for each Destination Port. The Port Arbiter ensures that each Source Port receives a deterministic bandwidth connecting to a Destination Port. Port arbitration uses Device-Specific Weighted Round-Robin (WRR) Port arbitration. Device-Specific WRR arbitration is Round-Robin arbitration, with optionally more weight for a particular Port or Ports.

Each Port Arbiter has a 32-phase Port Arbitration Table, as outlined in the *PCI Express Base r2.0*, and documented in the **Port Arbitration Table Phase *x*** registers (Upstream Port 0, and also NT Port Virtual Interface if Port 0 is the NT Port, offsets [1A8h](#) through [1B4h](#)). (Refer to the *PCI Express Base r2.0* for further details.)

Port arbitration makes decisions on a per-TLP basis. A Port with more short TLPs will appear to receive less bandwidth, compared to a Port with fewer long TLPs, if both Ports have the same weight and both target a congested Port.

8.6.4 Port Bandwidth Allocation

For applications that need to allocate a fixed bandwidth to each Port, the PEX 8624 can help enforce the relative bandwidth ratio between Ports in a congested scenario.

By combining source queuing, Port arbitration, and initial credit, as well as some knowledge of average Payload size, many combinations of Port bandwidth allocation are possible.

8.7 Read Pacing

Caution: *Read Pacing and Source Queuing should not be concurrently enabled. The two features are incompatible and doing so can result in Fatal errors.*

Although the Read Pacing feature is supported on all Ports, its registers are implemented on upstream Port 0. If Port 0 is the NT Port, the NT Port Virtual Interface implements the Read Pacing registers. Otherwise, the Read Pacing-related registers are *reserved*.

PCI Express has a weakness concerning the number of outstanding bytes requested by Reads. It is possible that a single device can overwhelm the system with a reasonable number of large Read Requests, thereby impacting the performance of other connected devices, by filling the ingress transaction queue in the Root Complex.

The Root Complex must handle the transactions in the order in which they are posted. Transactions posted from less aggressive reading devices, which may be more sensitive to latency, suffer performance reductions due to the unfairly weighted path (head of line blocking) in the transaction queue that the large reads represent.

Read Pacing attempts to apply some rules to Memory Read Requests, so that no one Port can overwhelm a system. There are two aspects to the PEX 8624's Read Pacing capability:

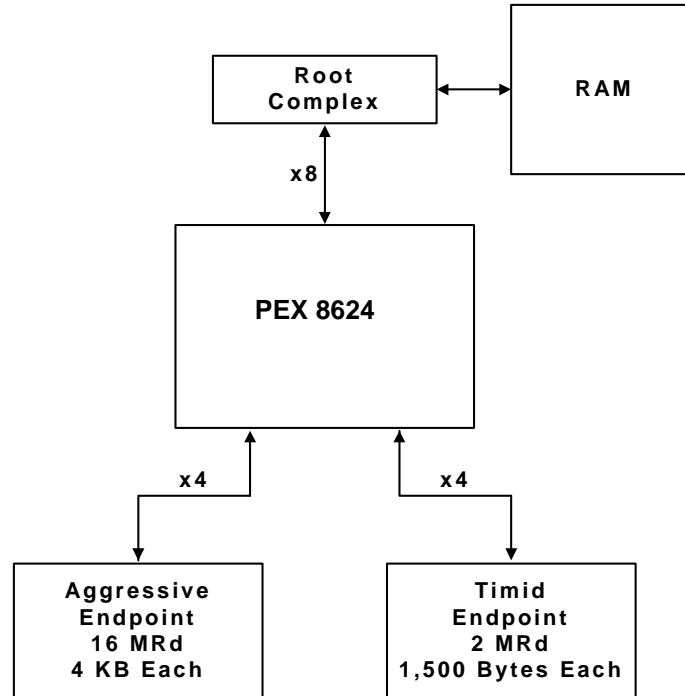
- Read spacing
- Read threshold

The following sections provide examples and further information regarding Read Pacing.

8.7.1 Read Pacing Example

Figure 8-12 illustrates an example of a system that benefits from Read Pacing.

Figure 8-12. Read Pacing Example



In a typical Host-centric application, endpoints have Direct Memory Access (DMA) engines that write to and read from Main memory. A performance bottleneck can occur during the Read to Main memory, through the Root Complex. For the example illustrated in Figure 8-12, the aggressive endpoint sends many large (16, 4-KB) Memory Read Requests, while another endpoint, or Timid Endpoint (TEP), sends only two 1,500-byte Memory Read Requests. The TEP then waits for a response before sending additional Read Requests^a.

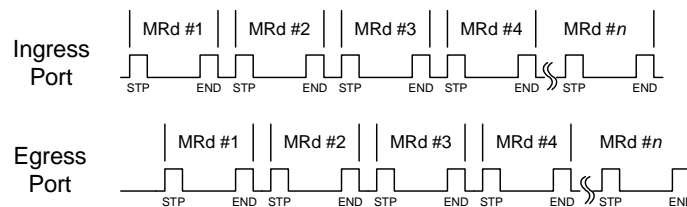
If either endpoint is running by itself, neither sees a problem. However, if both endpoints are concurrently active, the aggressive endpoint dominates the Root Complex Memory Controller. In addition, due to the bandwidth mismatch, Completions can queue up in the PEX 8624, creating too many Completions for the switch to store at one time. As a result, the PEX 8624 backpressures the Root Complex for Completions. The Root Complex can only forward Completions to the PEX 8624 at the aggressive endpoint's rate, which is significantly less than the Root Complex could otherwise handle.

The net impact is not to the aggressive endpoint, because there are a sufficient number of Completions queued up in the PEX 8624 to keep it busy. In fact, the aggressive endpoint experiences better performance with a switch, than connected directly to the Root Complex^b. Rather, the TEP experiences lower performance results. Its Memory Read Requests wait in line behind multiple aggressive endpoint Requests, and the Root Complex can drain Requests only at the same rate of the PEX 8624, not at the upstream Link's capacity.

Figure 8-13 illustrates how a PCI Express switch, without Read Pacing, forwards Memory Read Requests (MRds).

Read Pacing solves the performance loss seen by the TEP, while improving the aggressive endpoint's performance. The following sections provide examples of the way in which the PEX 8624 functions when Read Pacing is enabled, and Read Spreading is enabled or disabled.

Figure 8-13. Read Pacing Off (Disabled)



a. This is based upon an actual setup in a third-party lab. Fibre Channel endpoints can easily send 16, 4-KB MRd at a time, while Gigabit Ethernet endpoints might send only one or two 1,500-byte endpoints at a time.

b. Without a switch, when the Root Complex has something else to do, the aggressive endpoint loses its data stream. With a switch, the buffering of multiple Completions hides the fact that the Root Complex is multitasking.

8.7.2 Read Spacing (Spreading) Logic

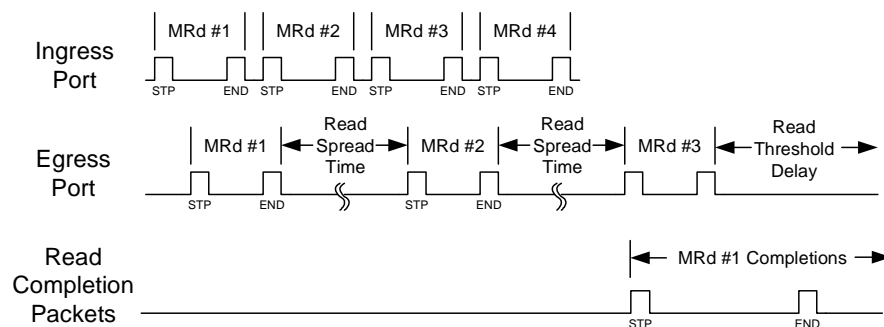
Read Spacing (also referred to as *Read Spreading*) spreads out Read Requests. The PEX 8624 Read Spacing logic looks at the Read Request size and the endpoint's bandwidth, to determine how often to forward subsequent Read Requests. *For example*, Read Requests arriving on a x4 Link can only sink data at a x4 rate. If a x4 endpoint submits multiple Read Requests to a x8 Link, the Read Spacing logic does not forward the subsequent Read Requests until the endpoint has sufficient time to sink a portion of the Completion data from the previous Read Requests.

Initially, a queue of Completions must build up to hide the time that it takes for the data to return. As a result, Reads are forwarded at 2x the endpoint's bandwidth. This 2x rate is maintained until a threshold of outstanding Read data is reached, at which time Reads are forwarded at 1x the endpoint's bandwidth.

Read Pacing must be enabled for Read Spreading to be enabled. *That is*, for a Port to have Read Spreading enabled, the Port's **Read Pacing Control** register *Port x Read Pacing Disable* and *Port x Memory Read Spreading Disable* bits (offset F34h[9, 8, 6, 5, 1, 0 and 25, 24, 22, 21, 17, 16], respectively) must both be Cleared.

Figure 8-14 illustrates the way in which the PEX 8624 forwards Read Requests when the Port's Read Pacing- and Read Spreading-related bits are enabled. (Refer to Section 8.7.5 for additional register/bit information.) The PEX 8624 continues to spread and forward the Read Requests, until the amount of Completion data for which it is waiting exceeds the value programmed in the **Read Pacing Threshold x** register(s) for that Link width (Upstream Port 0, or NT Port Virtual Interface (if Port 0 is the NT Port, offsets F38h and F3Ch).

Figure 8-14. Read Pacing On (Enabled) and Read Spreading On (Enabled)

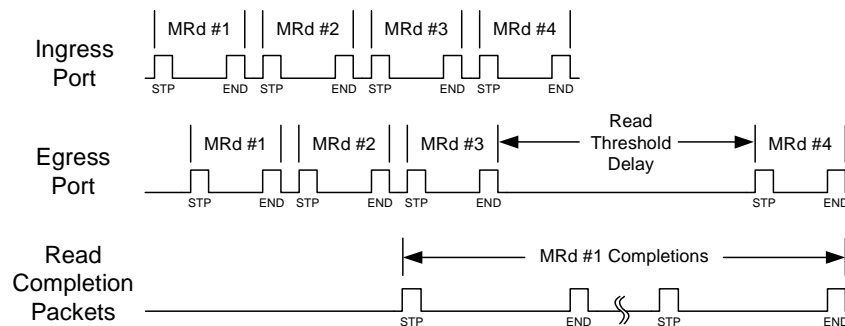


8.7.3 Read Threshold

The Read threshold is the maximum number of outstanding DWords (1 DWord = 4 bytes) that the endpoint Port requested to be read, but were not yet returned as Completion data. The threshold is related to the PEX 8624's buffering capacity – all outstanding Read data ought to be able to be buffered in the switch, to remain out of the way of other Completions for other endpoint's Read Requests.

After a Port reaches its Read threshold, subsequent Read Requests from that Port queue up in the PEX 8624, waiting for Completion data to reduce the outstanding count to below the threshold. If an overabundant number of Read Requests queue in the PEX 8624, no additional Read credit is allocated, which backpressures the Read Requester. [Figure 8-15](#) illustrates the way in which the PEX 8624 forwards Read Requests when its Read Spacing logic is enabled and Read Spreading logic is disabled.

Figure 8-15. Read Pacing On (Enabled) and Read Spreading Off (Disabled)



8.7.4 Read Pacing Benefits

When Read Pacing logic is enabled, the PEX 8624 provides the following benefits:

- Maximum Read latency that an endpoint may experience can be dramatically reduced.
By reducing the amount of queued Read Requests, and therefore pending Read Completion data at the Root Complex, new Read Requests from Ports that do not have pending Read Requests can be serviced with a predictable and/or reasonable amount of latency.
- Timid endpoint bandwidth is dramatically increased in busy applications.
Because queues of pending Read Requests in the Root Complex are limited, and congestion caused by a large amount of Completion data intended for a high-bandwidth, needy Port (or Ports) is avoided, the bandwidth needs of endpoints with smaller bandwidth requirements are met (*that is*, the endpoints are not starved).
- PEX 8624's Read Pacing Threshold logic allows all busy Ports to be equally serviced in congested scenarios, regardless of their individual Read requesting behavior.

For example, all Ports might simultaneously request data, some aggressively and some timidly. While unable to quickly drain their queued Completions, the Ports' Read Pacing Threshold logic forwards the additional Read Requests to the Root Complex, equally and fairly, while ensuring Completion data is available for each Port, when the Port is ready to accept it.

8.7.5 Enabling Read Pacing and Read Spreading

Read Pacing is disabled, by default. To enable Read Pacing, the Port's **Read Pacing Control** register *Port x Read Pacing Disable* bit (Upstream Port 0, or NT Port Virtual Interface (if Port 0 is the NT Port, offset F34h) must be Cleared. A bit value of 0 enables Read Pacing, whereas a value of 1 (default) disables Read Pacing.

The Port's **Read Pacing Control** register *Port x Memory Read Spreading Disable* bit (Upstream Port 0, or NT Port Virtual Interface (if Port 0 is the NT Port, offset F34h) is used to enable or disable Read Spreading. A value of 1 disables Read Spreading for the corresponding Port. Read Spreading is enabled, by default (value of 0); however, it is overridden by the Port's *Port x Read Pacing Disable* bit, by default.

Both sets of Read Spreading and Pacing Control register bits are represented in [Table 8-19](#). (For complete details, refer to the register offset F34h description provided in [Section 12.16.14](#), “Device-Specific Registers – Read Pacing (Offsets F34h – F3Ch).”) [Figure 8-13](#) through [Figure 8-15](#) illustrate what occurs when the bits are enabled or disabled.

The Read Pacing thresholds are Set, based upon the Source Port's programmed Link width. The **Read Pacing Threshold 1** register controls the threshold values for x8 Link widths, and the **Read Pacing Threshold 2** register controls the threshold values for x4 and x2 Link widths (Upstream Port 0, or NT Port Virtual Interface (if Port 0 is the NT Port, offsets F38h and F3Ch, respectively). The thresholds are in DWords. Narrower Link widths have lower thresholds, because they must buffer smaller quantities.

Table 8-19. Read Pacing Control Register Read Pacing and Memory Read Spreading Disable (Offset F34h)

| Bit(s) | Description | Default |
|------------------------|---|---------|
| 9, 8, 6, 5, 1, 0 | Port x Read Pacing Disable Bits [9, 8, 6, 5, 1, 0] correspond to the Read Pacing Disable for Ports 9, 8, 6, 5, 1, and 0, respectively. 0 = Read Pacing is enabled for this Port 1 = Read Pacing is disabled for this Port | 3Fh |
| 25, 24, 22, 21, 17, 16 | Port x Memory Read Spreading Disable Bits [25, 24, 22, 21, 17, 16] correspond to the Memory Read Spreading Disable for Ports 9, 8, 6, 5, 1, and 0, respectively. 0 = Memory Read Spreading is enabled for this Port 1 = Memory Read Spreading is disabled for this Port | 00h |

Note: Bits not identified in [Table 8-19](#) are *Reserved* or *Factory Test Only*.

8.8 Using the Dual Cast Feature

8.8.1 Introduction

This section describes the functions and programming of the PEX 8624's Dual Cast feature. A typical system configuration and register programming example is also provided.

Dual Cast allows programs to concurrently write the same data to two different destinations. Whenever Posted Memory Write TLPs entering the PEX 8624 through a designated Port (referred to as the *Dual Cast Source Port*) are addressed to designated memory regions (referred to as *Dual Cast BARs*), the switch automatically generates a copy of the original TLP (referred to as the *Dual Cast Copy TLP*), replacing the original TLP's address with one that is mapped to an egress Port designated as the *Dual Cast Destination Port*.

When an incoming TLP is copied in this manner, both the original TLP and Dual Cast copy TLP are concurrently queued at their respective egress Ports, effectively doubling the PEX 8624's egress rate for the same ingress rate.

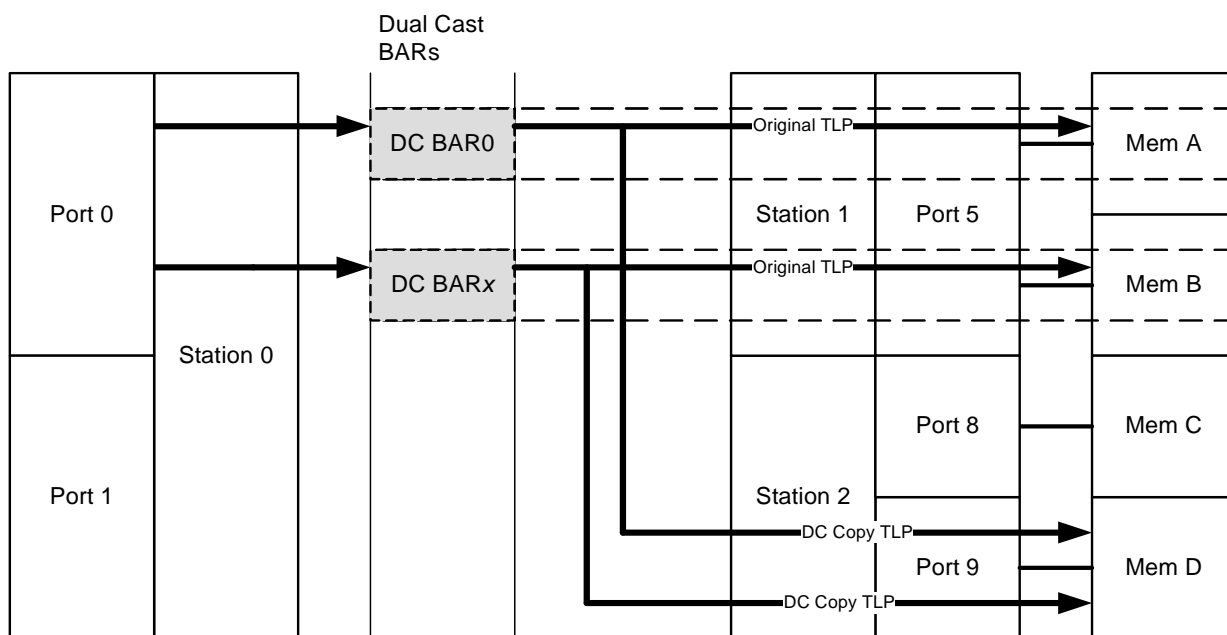
8.8.2 Dual Cast System Model

Figure 8-16 illustrates Dual Cast functions. In this figure, the designated Dual Cast Source Port is Port 0. Only Memory Write TLPs that enter the PEX 8624 through this Port (or alternately, any Port of a designated Station) are subject to Dual Casting. Dual Cast Control registers allow the programmer to define up to eight separate Dual Cast BARs, over which Dual Casting will be applied. If a Memory Write TLP enters the PEX 8624 through the designated Dual Cast Source Station/Port, **and** its Header address falls within an active Dual Cast BAR, then the switch automatically generates a Dual Cast Copy TLP, replacing the original TLP's Header address with a new address mapped to the designated Dual Cast Destination Port, in this case, Port 9.

Dual Cast BARs can be mapped to any egress Port of the PEX 8624. In other words, original Memory Write TLPs that are being copied can exit the PEX 8624 on any egress Port, as they would normally. However, Dual Cast Copy TLPs, regardless of which Dual Cast BAR generates them, must all exit the PEX 8624 through the designated Dual Cast Destination Port.

The Dual Cast Destination Port can also be configured as NT. Refer to Section 8.8.5 for additional programming requirements.

Figure 8-16. Typical Dual-Cast System Model



8.8.3 Dual Cast Control Registers

This section describes each of the Dual Cast Control registers. Eight sets of identical registers describe each of the eight Dual Cast BARs. An additional register specifies the Dual Cast Source and Destination Ports. These registers are described, in detail, in the following sub-sections. For a complete listing of the registers, refer to [Section 12.14.9, “Device-Specific Registers – Vendor-Specific Dual Cast Extended Capability \(Offsets 448h – 51Ch\)”](#). The Dual Cast registers are located in Port 0, and also the NT Port Virtual Interface if Port 0 is the NT Port.

8.8.3.1 Dual Cast Low BAR[0-7], Dual Cast High BAR[0-7]

The 32-bit **Dual Cast Low** and **High BAR_x** registers in Port 0 (refer to [Table 8-20](#)) are used to define the 64-bit physical Base address of each of the Dual Cast BAR address windows, numbered 0 through 7.

Dual Cast Low BAR_x contains the lower 32-bits of the Base address of Dual Cast BAR window *n*. Only the upper 12 bits [31:20] of this register are used to specify address. Bits [19:0] of this register are not de-coded, and are hardwired with the value 0_000Ch. Thus, Dual Cast BARs are naturally aligned on 1-MB boundaries. Because the 1-MB boundary is also a 4-KB boundary, any Memory Write TLP that falls within the Dual Cast BAR’s Address range will be guaranteed never to exceed the top of the Dual Cast BAR_x range.

Dual Cast High BAR_x contains the upper 32 bits of the Base address for Dual Cast BAR window *n*. For Base addresses in the lower 4 GB or for all 32-bit systems, this register should be Cleared (default).

Table 8-20. Dual Cast High/Low BAR_x Register Locations

| Base Address Register | Port 0 Register Offset | |
|-----------------------|--|---|
| | Dual Cast Low[31:0] (Lower 32 Bits) | Dual Cast High[31:0] (Upper 32 Bits) |
| BAR0 | 450h | 454h |
| BAR1 | 468h | 46Ch |
| BAR2 | 480h | 484h |
| BAR3 | 498h | 49Ch |
| BAR4 | 4B0h | 4B4h |
| BAR5 | 4C8h | 4CCh |
| BAR6 | 4E0h | 4E4h |
| BAR7 | 4F8h | 4FCh |

8.8.3.2 Dual Cast Low BAR[0-7] Translation, Dual Cast High BAR[0-7] Translation

The 32-bit **Dual Cast Low** and **High BAR_x Translation** registers in Port 0 (refer to [Table 8-21](#)) specify the destination address of the Dual Cast Copy TLP for their corresponding Dual Cast BARs. When a Dual Cast Copy TLP is formed, the original TLP's Header Address bits are replaced with corresponding Address bits from these registers.

Restrictions

- Dual Cast BAR Translation addresses must be mapped to the Dual Cast Destination Port, as specified in the **Dual Cast Source Destination Port** register (Port 0, and also NT Port Virtual Interface if Port 0 is the NT Port, offset 510h). (Refer to [Section 8.8.3.4](#).) While the original TLPs that are copied can be mapped to any Port of the PEX 8624, copied TLPs from all Dual Cast BARs must be mapped to the Dual Cast Destination Port.
- Dual Cast BAR Translation address plus the Dual Cast BAR window size must never exceed the Address range mapped to the Dual Cast Destination Port.

Table 8-21. Dual Cast High/Low BAR_x Translation Register Locations

| Base Address Register | Port 0 Register Offset | |
|-----------------------|--|---|
| | Dual Cast Low Translation[31:0] (Lower 32 Bits) | Dual Cast High Translation[31:0] (Upper 32 Bits) |
| BAR0 | 458h | 45Ch |
| BAR1 | 470h | 474h |
| BAR2 | 488h | 48Ch |
| BAR3 | 4A0h | 4A4h |
| BAR4 | 4B8h | 4BCh |
| BAR5 | 4D0h | 4D4h |
| BAR6 | 4E8h | 4ECh |
| BAR7 | 500h | 504h |

8.8.3.3 Dual Cast Low BAR[0-7] Setup, Dual Cast High BAR[0-7] Setup

The 32-bit **Dual Cast Low** and **High BARx Setup** registers in Port 0 (refer to [Table 8-22](#)) form a 64-bit value used to define the Dual Cast BAR window size, which increases in powers of 2 in size, starting from 1 MB.

The Dual Cast BAR window size increases in powers of 2, starting from 1 MB. The address window size is determined by the quantity of Set bits, starting from bit 63 down to bit 20. For each bit that is a value of 1, the Copy TLP's Header Address bit is replaced by the corresponding Address bit in the **Dual Cast Low/High BARx Translation** registers, as illustrated in [Figure 8-17](#).

If bits [63:20] are all Set, the source window size is 1 MB. If bits [63:21] are all Set, and bit 20 is Cleared, the window size is 2 MB. When **Dual Cast High BARx Setup**[31] is Cleared, the corresponding Dual Cast BAR is disabled. [Table 8-23](#) lists example **Dual Cast Low/High BARx Setup** register values and corresponding Dual Cast BAR Address window sizes.

Table 8-22. Dual Cast High/Low BARx Setup Register Locations

| Base Address Register | Port 0 Register Offset | |
|-----------------------|--|---|
| | Dual Cast Low Setup[31:0] (Lower 32 Bits) | Dual Cast High Setup[31:0] (Upper 32 Bits) |
| BAR0 | 460h | 464h |
| BAR1 | 478h | 47Ch |
| BAR2 | 490h | 494h |
| BAR3 | 4A8h | 4ACh |
| BAR4 | 4C0h | 4C4h |
| BAR5 | 4D8h | 4DCh |
| BAR6 | 4F0h | 4F4h |
| BAR7 | 508h | 50Ch |

Figure 8-17. Dual Cast High/Low BARx Setup Register Example

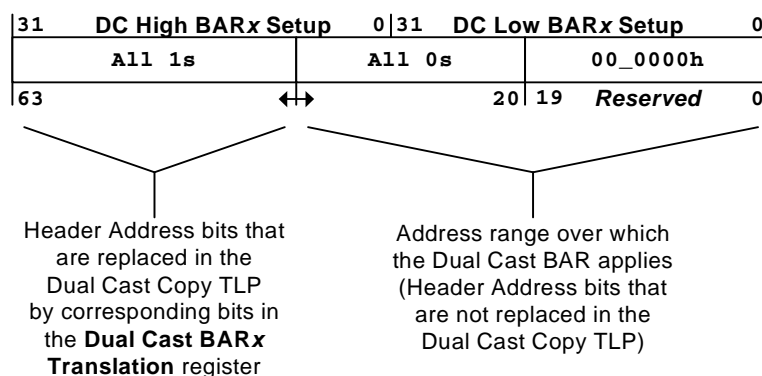


Table 8-23. Dual Cast BARx Setup Register Address Window Sizing Examples

| Dual Cast High BARx Setup[31:0] | Dual Cast Low BARx Setup[31:20] | Dual Cast BARx Window Size |
|---------------------------------|---------------------------------|----------------------------|
| 0000_0000h | XXXh | Disabled (default) |
| FFFF_FFFFh | FFFh | 1 MB |
| FFFF_FFFFh | FFEh | 2 MB |
| FFFF_FFFFh | 000h | 4 GB |
| FFFF_FFFEh | 000h | 8 GB |

Restrictions

- Dual Cast BAR Address windows must not overlap one another.
- Dual Cast Source Address windows 0 through 7 can be mapped to any Station or Port (including the upstream Port and NT Port); however, only Write TLPs that enter the PEX 8624 through the designated Dual Cast Source Station/Port are subject to Dual Casting. (Refer to [Section 8.8.3.4.](#))
- Both the original forwarded TLP **and** Dual Cast Copy TLP must be acknowledged on their respective egress Ports, before the original incoming TLP can be retired.
- Dual Cast BAR regions can be coded only as 64-bit BARs. For regions under 4 GB, Dual Cast High **BARx** = 0000_0000h.

8.8.3.4 Dual Cast Source Destination Port

The **Dual Cast Source Destination Port** register (Port 0, and also NT Port Virtual Interface if Port 0 is the NT Port; **Reserved** (RsvdP) for Dual Cast BAR Limit Lower register, offset 510h) is used to specify the Dual Cast Source Station/Port and Dual Cast Destination Port. Table 8-24 lists the bit definitions for this register. Bits not listed are *reserved* (zero).

Table 8-24. Dual Cast Source Destination Port Register Definition (Only Port 0, and also NT Port Virtual Interface if Port 0 is the NT Port; Reserved (RsvdP) for Dual Cast BAR Limit Lower register, offset 510h)

| Register Bits | Function |
|---------------|--|
| 1:0 | Dual Cast Source Port #^a Valid only when bit 8 (<i>Dual Cast Source Port Enable</i>) is Set. Specifies the source (ingress) Port Number upon which Dual Cast BARs are applied. Refer to Table 8-25 for Source Port # to Source Station # mapping. |
| 3:2 | Dual Cast Source Station # Specifies the source (ingress) Station Number upon which Dual Cast BARs are applied. Refer to Table 8-25 for Source Port # to Source Station # mapping. |
| 7:4 | Dual Cast Destination Port # Specifies the destination (egress) Port Number to which Dual Cast BAR Translation addresses are mapped, and to which Dual Cast Copy TLPs will be queued. |
| 8 | Dual Cast Source Port Enable 0 = Dual Cast applies to Write TLPs entering any Port on the Dual Cast Source Station specified in field [3:2] (<i>Dual Cast Source Station #</i>). In that case, the field [1:0] (<i>Dual Cast Source Port #</i>) value is “Don’t Care.” 1 = Dual Cast applies only to Write TLPs entering the PEX 8624, by way of the Dual Cast Source Port Number specified in field [1:0]. |

- a. Elsewhere in PEX 8624 documentation, Ports are numbered using 4-bit values 0000b, 0001b, and so forth. In this register, Dual Cast Source Ports are numbered on a per-Station basis. For example, what is referred to as Port 9 elsewhere in the documentation is described in this register as Station 10b, Port 01b.

Table 8-25. Dual Cast Source Destination Port Register – Source Port # and Source Station Field Values, by Port (Offset 510h)

| Port | Dual Cast Source Port # (Field [1:0] Value) | Dual Cast Source Station # (Field [3:2] Value) |
|------|--|---|
| 0 | 00b | 00b |
| 1 | 01b | 00b |
| 5 | 01b | 01b |
| 6 | 10b | 01b |
| 8 | 00b | 10b |
| 9 | 01b | 10b |

8.8.4 Dual Cast Programming Example

In this example, we consider a PEX 8624 configured as x8, x8, x8, with Port 0 being the upstream Port (connected to Root Complex), and Ports 5 and 8 configured as Transparent downstream Ports. Port 5 maps to a block of physical memory at Base address AAA0_0000h (32-bit addressing). Port 8 maps to a block of memory at Base address BBB0_0000h.

For this example, the switch must be programmed such that Write TLPs entering Port 0 and addressed to Port 5 (in the range AAA0_0000h to AAAF_FFFFh) are Dual Cast (copied) to the memory that is mapped to Port 8, starting at address BBB0_0000h.

8.8.4.1 Register Programming Steps

1. Program the **Dual Cast BAR0** registers with the Base address of the memory on Port 5.
Dual Cast Low BAR0[31:0]=AAA0_000Ch (*Note: Bits [19:0] are hardwired to 0_0000h.*)
Dual Cast High BAR0[31:0]=0000_0000h
2. Program the **Dual Cast BAR0 Setup** registers to specify the Dual Cast BAR window size (1 MB).
Dual Cast Low BAR0 Setup[31:0]=FFF0_0000h (*Note: Bits [19:0] are hardwired to 0_0000h.*)
Dual Cast High BAR0 Setup[31:0]=FFFF_FFFFh
3. Program the **Dual Cast BAR0 Translation** registers with the address of the memory on Port 8.
Dual Cast Low BAR0 Translation[31:0]=BBB0_0000h (*Note: Bits [19:0] are hardwired to 0_0000h.*)
Dual Cast High BAR0 Translation[31:0]=0000_0000h
4. Program the **Dual Cast Source Destination Port** register bits, as follows:
Dual Cast Source Destination Port[3:0]=0h (Dual Cast Source Station/Port = 0)
Dual Cast Source Destination Port[7:4]=8h (Dual Cast Destination Port = 8)
Dual Cast Source Destination Port[8]=1 (Dual Cast on Station 0, Port 0 only)
 –or–
Dual Cast Source Destination Port[8]=0 (Dual Cast on Station 0, Ports 0 and 1)

At this point, all Write TLPs entering the PEX 8624 by way of Port 0, having addresses in the range AAA0_0000h to AAAF_FFFFh, will be copied to memory at Base address BBB0_0000h. To verify that Dual Cast is enabled, try Clearing memory at address BBB0_0000h, then write a non-zero pattern to memory at address AAA0_0000h. A read of memory at BBB0_0000h should now show what was written at address AAA0_0000h.

8.8.5 Dual Cast to a Non-Transparent Destination Port

When the Dual Cast Destination Port is configured as Non-Transparent (NT), the Dual Cast Copy TLPs do not use the same Address Translation mechanism as original unicast TLPs that are routed to that Port. Where a unicast TLP uses the Address Translation mechanism in the NT Port (NT BAR), Dual Cast Copy TLPs are sent directly to the NT Port's Egress queue. Therefore, in applications where the Dual Cast Destination Port is the NT Port, the **Dual Cast Low/High BARx Translation** registers must be loaded with the physical Base address of the destination memory in the NT address domain.

8.8.6 Error Reporting of Failed Dual Cast Cycles

If either the PCI address-routed destination device or the device connected to the Dual Cast Destination Port fails to return an ACK for the Dual Casted Memory Write, the standard PCI Express Correctable Errors (Replay Timer Timeout on first transmission attempt, Replay Rollover Status after four failed attempts) are reported.

THIS PAGE INTENTIONALLY LEFT BLANK.



Chapter 9 Interrupts

9.1 Interrupt Support

The PEX 8624 supports the PCI Express interrupt model, which uses two mechanisms:

- INTx Interrupt Message-type emulation (compatible with the *PCI r3.0*-defined Interrupt signals)
- Message Signaled Interrupt (MSI), when enabled

For Conventional PCI compatibility, the PCI INTx emulation mechanism is used to signal interrupts to the System Interrupt Controller. This mechanism is compatible with existing PCI software, provides the same level of service as the corresponding PCI interrupt signaling mechanism, and is independent of System Interrupt Controller specifics. The PCI INTx emulation mechanism virtualizes PCI physical Interrupt signals, by using an in-band signaling mechanism, for the assertion and de-assertion of INTx interrupt signals.

In addition to PCI INTx-compatible interrupt emulation, the PEX 8624 supports the MSI mechanism. The PCI Express MSI mechanism is compatible with the MSI Capability defined in the *PCI r3.0*.

INTx and MSIs are mutually exclusive, on a per-Port basis; either can be enabled in a system (depending upon which interrupt type the system software supports), but never concurrently within the same domain. (Refer to the **PCI Command** register *Interrupt Disable* bit, offset 04h[10], and **MSI Capability** register, offset 48h, respectively.) The PEX 8624 does not convert received INTx Messages to MSI Messages.

The PEX 8624's external Interrupt output, **PEX_INTA#**, indicates the assertion and/or de-assertion of the internally generated INTx signal:

- **Non-Hot Plug-triggered interrupts** – PEX_INTA# assertion is controlled by the following **ECC Error Check Disable** register bits:
 - *Enable PEX_INTA# Interrupt Output(s) for NT-Virtual Doorbell-Generated Interrupts* bit (NT Port Virtual Interface, or Port 0 if Port 0 is the NT Port, offset 1C8h[7], NT mode only)
 - *Enable PEX_INTA# Interrupt Output(s) for GPIO-Generated Interrupts* bit (offset 1C8h[6])
 - *Enable PEX_INTA# Interrupt Output(s) for Device-Specific Error- and Event-Triggered Interrupts* bit (Port 0 (or if in NT mode, NT Port Virtual Interface, or Port 0 if Port 0 is the NT Port), offset 1C8h[5])

When any of these bits are Set, Device-Specific errors and events trigger PEX_INTA# assertion; however, PEX_INTA# assertion and INTx Message generation are mutually exclusive, on a per-Station basis.

- **Hot Plug or Link State-triggered INTx events** – PEX_INTA# assertion is controlled by the **ECC Error Check Disable** register *Enable PEX_INTA# Interrupt Output(s) for Hot Plug or Link State Event-Triggered Interrupts* bit (offset 1C8h[4]). When this bit is Set, Hot Plug or Link State events trigger PEX_INTA# assertion; however, an INTx Message is not generated in this case. PEX_INTA# assertion and INTx Message generation for Hot Plug or Link State cases are mutually exclusive, on a per-Station basis.

The NT Port Virtual and Link Interfaces can each independently support the interrupt mechanism (INTx or MSI) used in their respective domains. (Refer to [Section 13.5](#), “NT Port Interrupts,” for details.)

9.1.1 Interrupt Sources or Events

The PEX 8624 internally generated interrupt/Message sources include:

- For Hot Plug-capable Ports
 - [Presence Detect Changed](#) (logical OR of PRSNT# (HP_PRSNT_x# or I/O Expander PRSNT# input), and SerDes Receiver Detect^a on Lane(s) associated with that Port)
 - [Attention Button Pressed](#)
 - [Power Fault Detected](#)
 - [MRL Sensor Changed](#)
 - [Command Completed](#)
 - [Link Bandwidth Management Status](#)
 - [Link Autonomous Bandwidth Status](#)
- For non-Hot Plug-capable downstream Ports
 - [Presence Detect Changed](#) (SerDes Receiver Detect^a on Lane(s) associated with that Port)
 - [Data Link Layer State Changed](#)
- Device-Specific errors (Port 0, 4, or 8, and also NT Port Virtual Interface if Port 0 is the NT Port, unless noted otherwise):
 - Payload Link List RAM 1-Bit ECC error (offset 1C0h[2:0])
 - Payload Link List RAM 2-Bit ECC error (offset 1C0h[5:3])
 - Ingress Link List RAM 1-Bit ECC error (offset 1C0h[6])
 - Ingress Link List RAM 2-Bit ECC error (offset 1C0h[7])
 - Packet RAM 0 1-Bit ECC error (offset 1C0h[13:8])
 - Packet RAM 0 2-Bit ECC error (offset 1C0h[19:14])
 - Packet RAM 1 1-Bit ECC error (offset 1C0h[25:20])
 - Packet RAM 1 2-Bit ECC error (offset 1C0h[31:26])
 - Egress Completion FIFO Overflow (All Ports, offset 1CCh[0])
 - Destination Queue Linked List RAM 2-Bit ECC error (offset 1CCh[4])
 - Destination Queue Linked List RAM 1-Bit ECC error (offset 1CCh[6])
 - Source Queue Linked List RAM 1-Bit ECC error (offset 1CCh[8])
 - Source Queue Linked List RAM 2-Bit ECC error (offset 1CCh[9])
 - Retry Buffer 1-Bit ECC error (offset 1CCh[10])
 - Retry Buffer 2-Bit ECC error (offset 1CCh[11])
 - Header (TLP ID) RAM 2-Bit ECC error (offset 1CCh[22:20])
 - Header (TLP ID) RAM 1-Bit ECC error (offset 1CCh[26:24])
 - NT-Link Port Correctable error (NT Port Link Interface, offset FC4h)
 - NT-Link Port Uncorrectable error (NT Port Link Interface, offset FB8h)
 - NT-Link Port Data Link Layer State change
 - NT-Link Port received (and consequently dropped) a Fatal or Non-Fatal Error Message
- General-Purpose Input/Output (GPIO) events
- Non-Transparent-Virtual (NT-Virtual) Doorbell events (refer to [Section 13.5](#), “NT Port Interrupts”)

^a The SerDes Receiver Detect mechanism is comprised of the [Physical Layer Receiver Detect Status](#) register's Receiver Detected on Lane x bits (Port 0, 4, or 8, and also NT Port Virtual Interface if Port 0 is the NT Port, offset 200h[31:16]) or Hot Plug PRSNT# (from external I²C I/O Expander) input for the Port.

The PEX 8624 externally generated interrupt/Message sources include INT_x Messages from downstream devices.

Table 9-1 lists the interrupt sources.

Table 9-1. Interrupt Sources

| Event/Error | Description |
|--|---|
| Hot Plug or Link State events | <p>Slot Status register (Downstream Ports, offset 80h):</p> <ul style="list-style-type: none"> • <i>Presence Detect Changed</i> (bit 19 is Set) • <i>Data Link Layer State Changed</i> (bit 24 is Set) |
| PCI Express Hot Plug events | <p>The master control of Hot Plug interrupt is the Slot Control register <i>Hot Plug Interrupt Enable</i> bit (Transparent downstream Ports, offset 80h[5]).</p> <p>There are six sources of Hot Plug interrupt. Each Hot Plug source has its own <i>Enable</i> bit in the Slot Control register:</p> <ul style="list-style-type: none"> • <i>Attention Button Pressed</i> (bit 16) • <i>Power Fault Detected</i> (bit 17) • <i>MRL Sensor Changed</i> (bit 18) • <i>Presence Detect Changed</i> (bit 19) • <i>Command Completed</i> (bit 20) • <i>Data Link Layer State Changed</i> (bit 24) <p>The interrupt status of each Hot Plug source is provided by the Port's Slot Status register (offset 80h).</p> <p>Note: <i>Presence (Presence Detect State, offset 80h[22], in each Transparent downstream Port) is determined by the logical OR of:</i></p> <ul style="list-style-type: none"> • <i>SerDes Receiver Detect (Physical Layer Receiver Detect Status register Receiver Detected on Lane x bits (Port 0, 4, or 8, and also NT Port Virtual Interface if Port 0 is the NT Port, offset 200h[31:16])), and</i> • <i>HP_PRSNT_x# –or–</i> • <i>PRSNT# (from external I²C I/O Expander) input for the Port</i> |
| General-Purpose Input Interrupt events | <p>External interrupt from any of the GPIO[19:12] and PEX_PORT_GOOD_x# signals that are configured as an Interrupt input in the GPIO 0_9 Direction Control and GPIO 10_19 Direction Control register <i>Direction Control</i> bit(s) (Port 0, and also NT Port Virtual Interface if Port 0 is the NT Port, offsets 62Ch and 630h, respectively).</p> |

Table 9-1. Interrupt Sources (Cont.)

| Event/Error | Description |
|------------------------|---|
| Device-Specific errors | <ul style="list-style-type: none"> • Egress Completion FIFO Overflow error indicated by the Port’s Error Handler 32-Bit Error Status register <i>Completion FIFO Overflow Status</i> bit (offset 1CCh[0]), if not masked by the Port’s Error Handler 32-Bit Error Mask register <i>Completion FIFO Overflow Mask</i> bit (offset 1D0h[0]). • Device-Specific errors indicated by the Device-Specific Error Status for Egress ECC Error register bit(s), if not masked in their corresponding Device-Specific Error Mask for Egress ECC Error register bit(s) (Port 0, 4, or 8, and also NT Port Virtual Interface if Port 0 is the NT Port, offsets 1C0h[31:0] and 1C4h[31:0], respectively). • Device-Specific errors indicated by the Error Handler 32-Bit Error Status register, if not masked in the Error Handler 32-Bit Error Mask register (Port 0, 4, or 8, and also NT Port Virtual Interface if Port 0 is the NT Port, offsets 1CCh[26:4] and 1D0h[26:4], respectively). • NT Port Link Interface Correctable errors reported by the NT Port Virtual Interface (to the Host of the upstream Port domain), collectively flagged in the Link Error Status Virtual register <i>Link Side Correctable Error Status</i> bit (NT Port Virtual Interface, offset FE0h[0]), with specific errors indicated in the Correctable Error Status register (NT Port Link Interface, offset FC4h), if not masked both globally in the Link Error Mask Virtual register <i>Link Side Correctable Error Mask</i> bit (NT Port Virtual Interface, offset FE4h[0]), nor individually in the Correctable Error Mask register (NT Port Link Interface, offset FC8h). • NT Port Link Interface Uncorrectable errors reported by the NT Port Virtual Interface (to the Host of the upstream Port domain), collectively flagged in the Link Error Status Virtual register <i>Link Side Uncorrectable Error Status</i> bit (NT Port Virtual Interface, offset FE0h[1]), with specific errors indicated in the Uncorrectable Error Status register (NT Port Link Interface, offset FB8h), if not masked both globally in the Link Error Mask Virtual register <i>Link Side Uncorrectable Error Mask</i> bit (NT Port Virtual Interface, offset FE4h[1]), nor individually in the Uncorrectable Error Mask register (NT Port Link Interface, offset FBCh). • NT Port Link Interface State change – Interrupt to the NT Port Virtual Interface Host, if enabled (not masked) by the Link Error Mask Virtual register <i>Link Side DL Active Change Mask</i> bit (NT Port Virtual Interface, offset FE4h[2]). • Link Side Uncorrectable Error Message Drop interrupt to the NT Port Virtual Interface Host, if enabled (not masked) by the Link Error Mask Virtual register <i>Link Side Uncorrectable Error Message Drop Mask</i> bit (NT Port Virtual Interface, offset FE4h[3]). This feature supports applications using back-to-back NT Ports, where an Uncorrectable Error Message received (and properly dropped) by the NT Port Link Interface can trigger an interrupt to the NT Port Virtual Interface Host. |

Table 9-1. Interrupt Sources (Cont.)

| Event/Error | Description |
|--|--|
| NT-Virtual Doorbell events | NT Virtual Interface IRQ Set/Clear register (offsets C4Ch[15:0] and/or C50h[15:0]) bit is Set while the corresponding NT Virtual Interface IRQ Set/Clear register (offsets C54h[15:0] and/or C58h[15:0]) bit is Cleared. |
| NT-Link Doorbell events | NT Link Interface IRQ Set/Clear register (offsets C5Ch[15:0] and/or C60h[15:0]) bit is Set while the corresponding NT Link Interface IRQ Set/Clear register (offsets C64h[15:0] and/or C68h[15:0]) bit is Cleared. |
| Device-Specific NT Port Link Interface errors and events | <ul style="list-style-type: none"> • NT Port Link Interface Correctable errors reported by the NT Port Virtual Interface (to the Host of the upstream Port domain), collectively flagged in the Link Error Status Virtual register <i>Link Side Correctable Error Status</i> bit (NT Port Virtual Interface, offset FE0h[0]), with specific errors indicated in the Correctable Error Status register (NT Port Link Interface, offset FC4h), if not masked both globally in the Link Error Mask Virtual register <i>Link Side Correctable Error Mask</i> bit (NT Port Virtual Interface, offset FE4h[0]), nor individually in the Correctable Error Mask register (NT Port Link Interface, offset FC8h). • NT Port Link Interface Uncorrectable errors reported by the NT Port Virtual Interface (to the Host of the upstream Port domain), collectively flagged in the Link Error Status Virtual register <i>Link Side Uncorrectable Error Status</i> bit (NT Port Virtual Interface, offset FE0h[1]), with specific errors indicated in the Uncorrectable Error Status register (NT Port Link Interface, offset FB8h), if not masked both globally in the Link Error Mask Virtual register <i>Link Side Uncorrectable Error Mask</i> bit (NT Port Virtual Interface, offset FE4h[1]), nor individually in the Uncorrectable Error Mask register (NT Port Link Interface, offset FBCh). • NT Port Link Interface State change – Interrupt to the NT Port Virtual Interface Host, if enabled (not masked) by the Link Error Mask Virtual register <i>Link Side DL Active Change Mask</i> bit (NT Port Virtual Interface, offset FE4h[2]). • Link Side Uncorrectable Error Message Drop interrupt to the NT Port Virtual Interface Host, if enabled (not masked) by the Link Error Mask Virtual register <i>Link Side Uncorrectable Error Message Drop Mask</i> bit (NT Port Virtual Interface, offset FE4h[3]). This feature supports applications using back-to-back NT Ports, where an Uncorrectable Error Message received (and properly dropped) by the NT Port Link Interface can trigger an interrupt to the NT Port Virtual Interface Host. |

9.1.2 Interrupt Handling

The PEX 8624 provides an Interrupt Generation module with each Port. The module reads the Request for interrupts from different sources and generates an MSI or PCI-compatible Assert_INTx/Deassert_INTx Interrupt Message. MSIs support a PCI Express edge-triggered interrupt, whereas Assert_INTx and Deassert_INTx Message transactions emulate PCI level-triggered interrupt signaling. The System Interrupt Controller functions include:

- Sensing Interrupt events
- Signaling the interrupt, by way of the INTx mechanism, and Setting the *Interrupt Status* bit
- Signaling the interrupt, by way of the MSI mechanism
- Handling INTx-type Interrupt Messages from downstream devices

9.2 INTx Emulation Support

The PEX 8624 supports PCI INTx emulation, to signal interrupts to the System Interrupt Controller. This mechanism is compatible with existing PCI software. PCI INTx emulation virtualizes PCI physical Interrupt signals, by using the in-band signaling mechanism.

PCI **Interrupt** registers (defined in the *PCI r3.0*) are supported. The *PCI r3.0* **PCI Command** register *Interrupt Disable* and **PCI Status** register *Interrupt Status* bits are also supported (offset 04h[10 and 19], respectively).

Although the *PCI Express Base r2.0* provides INTA#, INTB#, INTC#, and INTD# for INTx signaling, the PEX 8624 uses only INTA# for internal Interrupt Message generation, because it is a single-function device. However, incoming Messages from downstream devices can be of INTA#, INTB#, INTC#, or INTD# type. Internally generated INTA# Messages from the downstream Port are also re-mapped and collapsed at the upstream Port, according to the downstream Port's Device Number, with its own Device Number and Received Device Number from the downstream device.

When an interrupt is requested, the **PCI Status** register *Interrupt Status* bit is Set. If INTx interrupts are enabled (**PCI Command** register *Interrupt Disable* and **MSI Control** register *MSI Enable* bits, offsets 04h[10] and 48h[16], respectively, are both Cleared), an Assert_INTx Message is generated and transmitted upstream to indicate the Port interrupt status. For each interrupt event, there is a corresponding *Interrupt Mask* bit; an Interrupt Message can be generated only when the corresponding *Interrupt Mask* bit is Cleared. Software reads and Clears the event and *Interrupt Status* bit after servicing the interrupt.

A Port de-asserts INTx or PEX_INTA# interrupts, in response to one or more of the following conditions:

- Port's **PCI Command** register *Interrupt Disable* bit (offset 04h[10]) is Set
- Corresponding *Interrupt Mask* bit is Set
- Upstream Port Link goes down (DL_Down condition), or receives a Hot Reset (unless Hot Reset/DL_Down Reset is disabled, by Setting the **Debug Control** register *Upstream Port and NT-Link DL_Down Reset Propagation Disable* bit (Port 0, and also NT Port Virtual Interface if Port 0 is the NT Port, offset 1DCh[20]))
- Software Clears the corresponding *Interrupt Status* bit

9.2.1 INTx-Type Interrupt Message Re-Mapping and Collapsing

The upstream Port re-maps and collapses the INTx *virtual wires* received at the downstream Port, based upon the downstream Port's Device Number and Received INTx Message Requester ID Device Number, and generates a new Interrupt Message, according to the mapping defined in [Table 9-2](#).

Each virtual PCI-to-PCI bridge of a downstream Port specifies the Port Number associated with the INTx (Interrupt) Messages received or generated, and forwards the Interrupt Messages upstream.

A downstream Port transmits an Assert_INTA/Deassert_INTA Message to the upstream Port, due to a Hot Plug or PCI Express Hot Plug, Link State, GPIO, or NT Port Doorbell interrupt, and/or Device-Specific error/event.

Internally generated INTx Messages always originate as type INTA Messages, because the PEX 8624 is a single-function device. Internally generated Interrupt INTA Messages from downstream Ports are re-mapped at the upstream Port to INTA, INTB, INTC, or INTD Messages, according to the mapping defined in [Table 9-2](#).

INTx Messages from downstream devices and from internally generated Interrupt Messages are ORed together to generate INTA, INTB, INTC, or INTD level-sensitive signals, and edge-detection circuitry in the upstream Port generates the Assert_INTx and Deassert_INTx Messages. The upstream Port then forwards the new Messages upstream, by way of its Link.

Table 9-2. Downstream/Upstream Port INTx Interrupt Message Mapping

| Device Number | At Downstream Port | By Upstream Port |
|---------------|--------------------|------------------|
| 0, 8 | INTA | INTA |
| | INTB | INTB |
| | INTC | INTC |
| | INTD | INTD |
| 1, 5, 9 | INTA | INTB |
| | INTB | INTC |
| | INTC | INTD |
| | INTD | INTA |
| 6 | INTA | INTC |
| | INTB | INTD |
| | INTC | INTA |
| | INTD | INTB |

9.3 MSI Support

One of the interrupt schemes supported by the PEX 8624 is the MSI mechanism, which is required for PCI Express devices. The MSI method uses Memory Write transactions to deliver interrupts. MSIs are edge-triggered interrupts.

*Note: MSIs and INTx are mutually exclusive, on a per-Port basis. The mechanisms that generate these types of interrupts **cannot** be simultaneously enabled.*

9.3.1 MSI Operation

At configuration time, system software traverses the function Capability list. If a **Capability ID** of 05h is found, the function implements MSIs. System software reads the **MSI Capability** structure registers, to determine function capabilities.

The **MSI Control** register *Multiple Message Capable* field (offset 48h[19:17]) default value is 010b, which indicates that the PEX 8624 requests up to four MSI Vectors (Address and Data). When the register's *Multiple Message Enable* field (offset 48h[22:20]) is Cleared (default), only one Vector is allocated, and therefore, the PEX 8624 can generate only one Vector for all errors or events. When system software writes a non-zero value to the *Multiple Message Enable* field, multiple-Vector support is enabled (the number of Vectors supported is dependent upon the value). [Table 9-3](#) lists the four supported MSI Vector types.

Table 9-3. Supported MSI Vector Types

| Vector Type | Modes | |
|--|-------------|----|
| | Transparent | NT |
| Power Management, or Hot Plug or Link State events | ✓ | ✓ |
| Device-Specific errors and events | ✓ | ✓ |
| GPIO interrupts | ✓ | ✓ |
| NT Doorbell interrupts | | ✓ |

System software initializes the MSI Address registers (offsets 4Ch and 50h) and **MSI Data** register (offset 54h), with a system-specified Vector. After system software enables the MSI function (by Setting the **MSI Control** register *MSI Enable* bit, offset 48h[16]), when an Interrupt event occurs, the Interrupt Generation module generates a DWord Memory Write to the address specified by the **MSI Address** (lower 32 bits of the *Message Address* field) and **MSI Upper Address** (upper 32 bits of the *Message Address* field) register contents (offsets 4Ch and 50h, respectively). The single DWord Payload includes zero (0) for the upper two bytes, and the lower two bytes are taken from the **MSI Data** register. The **MSI Control** register *Multiple Message Enable* field (offset 48h[22:20]) can be programmed to a value of 000b, 001b, or 010b. When programmed to 010b, the lower three bits of Message data are changed to indicate the general type of interrupt event that occurred. (Refer to [Table 9-3](#).)

The number of MSI Vectors generated is dependent upon the quantity enabled, as follows:

- If **one** MSI Vector is enabled (default), all interrupt categories generate the same MSI Vector
- If **two** MSI Vectors are enabled, Device-Specific errors and events generate their own MSI Vector, while all other categories are combined and generate the same Vector
- If **four** MSI Vectors are enabled, each interrupt category generates its own MSI Vector

If a non-masked Interrupt event occurs before system software Sets the *MSI Enable* bit, normally (but unlike Conventional PCI interrupts, which are level-triggered), an MSI packet is sent immediately after software Sets the *MSI Enable* bit, to notify the system of the prior event. Alternatively, MSIs for prior events can be disabled, on a per-Port basis, by Setting the **ECC Error Check Disable** register *Disable Sending MSI if MSI Is Enabled after Interrupt Status Set* bit (offset 1C8h[8]).

When the error or event that caused the interrupt is serviced, the PEX 8624 can generate a new MSI Memory Write as a result of new events. Because an MSI is an edge-triggered event, four bits are provided for masking the events (**MSI Mask** register *Interrupt Mask* bits, offset 58h[3:0]). A new MSI can be generated only after the *Interrupt Mask* bits are serviced. System software should mask these bits when the MSI event is being processed.

The **MSI Control** register *MSI 64-Bit Address Capable* bit (offset 48h[23]) is enabled, by default. If the serial EEPROM or I²C Clears the bit, the **MSI Capability** structure is reduced by 1 DWord (*that is*, register offsets 54h, 58h, and 5Ch change to 50h, 54h, and 58h, respectively).

9.3.2 MSI Capability Registers

For details, refer to [Section 12.8, “MSI Capability Registers \(Offsets 48h – 64h\).”](#)

9.4 PEX_INTA# Interrupts

PEX_INTA# Interrupt output is enabled when the following conditions exist:

- INTx Messages are enabled (**PCI Command** register *Interrupt Disable* bit, offset 04h[10], is Cleared), and MSIs are disabled (**MSI Control** register *MSI Enable* bit, offset 48h[16], is Cleared), and
- PEX_INTA# output is enabled for the following errors and events, when the **ECC Error Check Disable** register bit associated with that error or event is Set:
 - *Enable PEX_INTA# Interrupt Output(s) for NT-Virtual Doorbell-Generated Interrupts* bit (NT Port Virtual Interface, or Port 0 if Port 0 is the NT Port, offset 1C8h[7], NT mode only)
 - *Enable PEX_INTA# Interrupt Output(s) for GPIO-Generated Interrupts* bit (offset 1C8h[6])
 - *Enable PEX_INTA# Interrupt Output(s) for Device-Specific Error- and Event-Triggered Interrupts* bit (Port 0 (or if in NT mode, NT Port Virtual Interface, or Port 0 if Port 0 is the NT Port), offset 1C8h[5])
 - **ECC Error Check Disable** register *Enable PEX_INTA# Interrupt Output(s) for Hot Plug or Link State Event-Triggered Interrupts* bit (offset 1C8h[4])

The three interrupt mechanisms, listed below, are mutually exclusive modes of operation, on a per-Port basis, for all interrupt sources:

- Conventional PCI INTx Message generation
- Native MSI transaction generation
- Device-Specific PEX_INTA# assertion

PEX_INTA# assertion (Low) indicates that the PEX 8624 detected one or more of the events and/or errors (if not masked) listed in [Table 9-1](#).

Note: *PEX_INTA# assertion and INTx messaging are mutually exclusive for a given interrupt event. When MSIs are enabled (offset 48h[16], is Set), both PEX_INTA# and INTx are disabled for PEX 8624 internally generated interrupts. The forwarding of external INTx Messages received from a downstream Port to the upstream Port is always enabled.*

9.5 General-Purpose Input/Output

The PEX 8624 contains 20 GPIO balls, in two groups. Default functionality is programmed by the [STRAP_TESTMODE\[3:0\]](#) inputs, and can be selectively changed by software, serial EEPROM, and/or I²C.

- The first group is comprised of 12 balls – PEX_PORT_GOOD_x# (enabled Ports only) and [GPIO\[11, 10, 7, 4:2\]](#) indicators – each of which can be used as GPIO or Interrupt inputs
- The second group is comprised of 8 balls – [GPIO\[19:12\]](#) – each of which can be used as GPIO, Interrupt inputs, or Serial Hot Plug PERST# outputs

[Table 9-4](#) lists the registers used for GPIO functionality.

Table 9-4. Registers Used for GPIO Functionality

| Register Offset | Register Name |
|-----------------|-------------------------------------|
| 62Ch | GPIO 0_9 Direction Control |
| 630h | GPIO 10_19 Direction Control |
| 638h | GPIO 0_19 Input De-Bounce |
| 63Ch | GPIO 0_11 Input Data |
| 640h | GPIO 12_19 Input Data |
| 644h | GPIO 0_11 Output Data |
| 648h | GPIO 12_19 Output Data |
| 64Ch | GPIO 0_19 Interrupt Polarity |
| 650h | GPIO 0_19 Interrupt Status |
| 654h | GPIO 0_19 Interrupt Mask |

THIS PAGE INTENTIONALLY LEFT BLANK.



Chapter 10 Hot Plug Support

10.1 Introduction

Note: In this chapter, unless stated otherwise, “Hot Plug Controller” references both the Parallel and Serial Hot Plug Controllers.

Hot Plug capability allows board insertion and removal from a running system, without adversely affecting the system. Boards are typically inserted or removed to repair faulty boards or re-configure the system without system down time. Hot Plug capability allows systems to isolate faulty boards in the event of a failure.

Each PEX 8624 Transparent downstream Port includes a Hot Plug Controller. Each Station in the PEX 8624 includes one set of 10 Hot Plug signals that can be associated to any single Port within that Station (default association is to Ports 1, 5, and 9, except when a Station is configured as a single x8 Port, default association is to that single Port in the Station, as indicated by the yellow highlighted cells in Table 4-1, “Port Configurations”). If more than one Port per Station requires Hot Plug signals, the additional Ports can use an external I²C I/O Expander (one 16-pin Maxim MAX7311, NXP PCA9555, or TI PCA9555 per slot, –or–, if a programmed serial EEPROM is present, one 40-pin NXP PCA9698 per two slots), to provide the external signals (11 pins for Hot Plug, 4 pins for Slot ID, and 1 pin as General-Purpose Input/Output (GPIO)).

Hot Plug signals are enabled, configured, and accessed through the **Slot Capability** and **Slot Status and Control** registers (offsets 7Ch and 80h, respectively), in each Port. Also, each Port’s **Power Management Hot Plug User Configuration** register (offset 1E0h) provides additional Device-Specific configuration and control, for both Parallel and Serial Hot Plug implementations.

10.2 Hot Plug Features

The following are the PEX 8624 Hot Plug features:

- Hot Plug features are supported on all Transparent downstream Ports.
- Each Station provides one set of Hot Plug signals, for use by one Transparent downstream Port in the Station.
- Additional Hot Plug signals for all other Transparent downstream Ports are implemented with external I²C I/O Expanders, which alert the PEX 8624 through the **SHPC_INT#** input, that inputs have toggled, and the PEX 8624 internal Hot Plug Controllers and registers automatically communicate with and control the I/O Expanders, using the PEX 8624 I²C Master interface (**I2C_SCL1** and **I2C_SDA1** balls).
- Insertion and removal of PCI Express boards, without removing system power.
- Board Present and Manually operated Retention Latch (MRL) signals are implemented. Presence Detect is accomplished through either an in-band SerDes Receiver Detect mechanism (**Physical Layer Receiver Detect Status** register *Receiver Detected on Lane x* bits (Port 0, 4, or 8, and also NT Port Virtual Interface if Port 0 is the NT Port, offset 200h[31:16])) –or– by using the **HP_PRSNNT_x#** inputs.
- Power Indicator and Attention Indicator Output signals are controlled.
- Attention Button is monitored.
- Power Fault detection and Faulty board isolation.
- Power Controller Control bit for controlling downstream device power.
- Generates PME for Hot Plug events in sleeping systems (D3hot Device Power Management (PM) state).
- Electromechanical Interlock Control feature available on Serial Hot Plug-capable Ports.
- Hot Plug interrupts can be sent in-band using INTx or MSI Messages, or signaled externally using **PEX_INTA#**.

10.3 Hot Plug Elements

Table 10-1 summarizes the Hot Plug elements required for PCI Express Hot Plug implementation. For specific platform requirements, refer to the PCI Express Form Factor specifications.

Table 10-1. Required Hot Plug Elements for PCI Express Implementation

| Element | Purpose |
|-----------------------------|--|
| Attention Button | Used for requesting Hot Plug operations. Implemented on the PEX 8624's Hot Plug-capable Transparent downstream Ports. |
| Attention Indicator | Implemented on the PEX 8624's Hot Plug-capable Transparent downstream Ports. LED functions: <ul style="list-style-type: none"> • Off – Standard operation. • On – Operational Problem at this slot. • Blinking – Slot is being identified at user's request. Blinking frequency is 1 Hz. 50% duty cycle. |
| Power Indicator | Implemented on the PEX 8624's Hot Plug-capable Transparent downstream Ports. LED functions: <ul style="list-style-type: none"> • Off – Slot is powered off. Board insertion or removal is permitted. • On – Board insertion or removal is not permitted. • Blinking – Slot is in the process of powering up or down. Blinking frequency is 2 Hz. 50% duty cycle. |
| MRL | Manually-operated Retention Latch, that holds add-in boards in place. |
| MRL Sensor | Reports the position of a slot's MRL to the Port. A logic Low indicates that the latch is closed. |
| Electromechanical Interlock | Prevents removal of adapter from slot. |

10.4 Hot Plug Signals

10.4.1 Hot Plug Port External Signals

The on-chip signals for Parallel Hot Plug Controller support are defined in [Section 3.4.2.1, “Parallel Hot Plug Signals.”](#)

The on-chip signals for Serial Hot Plug Controller support are defined in [Section 3.4.2.2, “Serial Hot Plug Signals.”](#)

In addition to the set of on-chip Serial Hot Plug signals for any one Port per Station, the PEX 8624 supports Serial Hot Plug signals to and from the I²C I/O Expander, which are used with Serial Hot Plug-capable Transparent downstream Ports. (Refer to [Section 10.8.2.](#)) Also, although the I²C I/O Expander provides a Reset output (Serial Hot Plug PERST#), control through the serial interface is too slow for Reset functionality. As a result, the PEX 8624 provides GPIO signals that can be configured for Serial Hot Plug PERST# functionality, to replace the I/O Expander PERST# output. (Refer to the [GPIO\[19:12\]](#) signal description in [Table 3-11, “Device-Specific Signals.”](#))

10.4.2 Hot Plug Output States for Disabled Hot Plug Slots

When a Hot Plug slot is disabled, the Hot Plug Output balls for that Port are in the logic states defined in [Table 10-2.](#)

Table 10-2. Hot Plug Outputs for Disabled Hot Plug Slot

| Output Signal | Logic | Comments |
|---------------|-------|---|
| HP_ATNLED_x# | High | Attention LED is turned Off |
| HP_CLKEN_x# | High | Reference Clock is not driven to the slot |
| HP_PERST_x# | Low | Slot remains in reset |
| HP_PWREN_x | Low | Power Controller is turned Off |
| HP_PWRLED_x# | High | Power LED is turned Off |

10.5 Hot Plug Registers

All Transparent downstream Ports and Stations include identical sets of Hot Plug registers, and all Hot Plug Ports use the identical register sets, regardless of whether Hot Plug is implemented using the PEX 8624 Hot Plug signals, or Serial Hot Plug signals on the external I²C I/O Expanders. Therefore, other than initial configuration (typically programmed by serial EEPROM), whether Hot Plug functionality for a Port is implemented using a Parallel Hot Plug Controller or Serial Hot Plug Controller (with external I²C I/O Expander) is effectively transparent to software.

The PCI Express Hot Plug Configuration, Capability, Command, Status, and Event registers are described in [Section 12.9, “PCI Express Capability Registers \(Offsets 68h – A0h\).”](#)

Device-Specific Hot Plug configuration features are programmable in register offset [1E0h](#) of each Station and Transparent downstream Port.

10.6 Hot Plug Interrupts

Refer to [Chapter 9, “Interrupts,”](#) for interrupt details.

10.7 Hot Plug Controller Slot Power-Up/Down Sequence

If a Hot Plug-capable Transparent downstream Port is enabled, the Port's Hot Plug Controller can power-up or power-down the slot. This section describes how this process occurs.

10.7.1 Slot Power-Up Sequence

If a Hot Plug-capable Transparent downstream Port is connected to a slot, its associated Hot Plug Controller can power up that slot, with or without an external serial EEPROM. Hot Plug Controller sequencing is determined by the states of the following bits:

- **Slot Capability** register *Power Controller Present* bit (offset 7Ch[1])
- **Slot Capability** register *MRL Sensor Present* bit (offset 7Ch[2])
- **Slot Control** register *Power Controller Control* bit (offset 80h[10])

and the HP_MRL_x# input state, if the *MRL Sensor Present* bit is Set. Hot Plug-configurable features are programmable only by the serial EEPROM and/or I²C.

10.7.1.1 Configuring Slot Power-Up Sequence Features with Serial EEPROM

An external serial EEPROM can be used to configure the Hot Plug Controller and Hot Plug outputs. Features can be changed by using the registers defined in [Table 10-3](#). The Hot Plug Controller outputs remain in the default state described in [Table 10-2](#), before the serial EEPROM image is loaded into the device.

After the serial EEPROM image is loaded, the Hot Plug Controller starts a power-up sequence on each slot that has the **Slot Capability** register *Power Controller Present* bit (offset 7Ch[1]) Set and the **Slot Control** register *Power Controller Control* bit (offset 80h[10]) Cleared.

Table 10-3. Configuring Slot Power-Up Sequence Features with Serial EEPROM

| Register Bit | Hot Plug Controller and Hot Plug Output Signal Configurable Features |
|--|---|
| <i>Power Controller Present</i> (Slot Capability register, offset 7Ch[1]) | <i>Reserved</i> for the upstream Port and NT Port. The <i>Power Controller Present</i> bit enables or disables the Hot Plug Controller on the PEX 8624 Hot Plug-capable Transparent downstream Ports. If the <i>Power Controller Present</i> bit is Cleared, the Hot Plug Controller is disabled for that slot and a power-up sequence is not executed. The slot remains in the disabled state, as defined in Table 10-2 . If the <i>Power Controller Present</i> bit is Set, the Hot Plug Controller powers up the slot when the MRL is closed and the Slot Control register <i>Power Controller Control</i> bit (offset 80h[10]) is Cleared. Otherwise, if the <i>MRL Sensor Present</i> bit is disabled (Cleared), the MRL's position has no effect on powering up the slot. |
| <i>MRL Sensor Present</i> (Slot Capability register, offset 7Ch[2]) | <i>Reserved</i> for the upstream Port and NT Port. When enabled (Set), the PEX 8624 senses whether the MRL is open or closed for a slot. If this bit is Set, the MRL should be Low for power-on for that slot. If this bit is Cleared, the MRL position is "Don't Care" for that slot. |
| <i>Attention Indicator Present</i> (Slot Capability register, offset 7Ch[3]) | <i>Reserved</i> for the upstream Port and NT Port. When Set, this bit controls whether the HP_ATNLED_x# output for the slot drives out Active-Low. Otherwise, this output is not functional on the slot. |
| <i>Power Indicator Present</i> (Slot Capability register, offset 7Ch[4]) | <i>Reserved</i> for the upstream Port and NT Port. When Set, this bit controls whether the HP_PWRLED_x# output for the slot drives out Active-Low. Otherwise, this output is not functional on the slot. |
| <i>HPC Tpepv</i> (Power Management Hot Plug User Configuration register, offset 1E0h[4:3]) | Functionality associated with this field is enabled only on the downstream Ports. This field indicates the delay from when an HP_PWREN_x output is asserted High, to when power is valid at a slot. (Refer to Section 10.7.1.2) 00b = Feature is disabled, and HP_PWR_GOOD_x inputs are used for Power Valid 01b = 128 ms 10b = 256 ms 11b = 512 ms |
| <i>HP_PWR_GOOD_x Active-Low Enable</i> (Power Management Hot Plug User Configuration register, offset 1E0h[6]) | Functionality associated with this bit is enabled only on the downstream Ports. Controls the HP_PWR_GOOD_x input polarity. (Refer to Section 10.7.1.2) 0 = HP_PWR_GOOD_x inputs are Active-High 1 = HP_PWR_GOOD_x inputs are Active-Low |

10.7.1.2 Slot Power-Up Sequencing When *Power Controller Present* Bit Is Set

By default, the *Power Controller Present*, *MRL Sensor Present*, and *Power Controller Control* (when the MRL is open) bits are Set on a Hot Plug-capable downstream Port. When the serial EEPROM is not present, present but blank, or programmed with default register values, the Hot Plug Controller is initially powered up, the **PCI Express Capability** register *Slot Implemented* bit (offset 68h[24]) is Set, and the PEX 8624 is in the following state:

1. Hot Plug Controller is enabled for Hot Plug-capable Transparent downstream Port.
2. Slots associated with Hot Plug-capable Transparent downstream Ports are enabled to be powered up.
3. Attention LED (HP_ATNLED_x#) and Power LED (HP_PWRLED_x#) are High on the slot chassis.

Immediately after the PEX 8624 exits Reset (PEX_PERST# input goes High), if the Hot Plug-capable Transparent downstream Port's *MRL Sensor Present* bit is Set (default), the HP_MRL_x# input for that slot is sampled. If HP_MRL_x# input is enabled and asserted (value of 0), the device Clears the *Power Controller Control* bit, to enable slot power-up. If the *Power Controller Control* bit is not Cleared, either by initially enabling it (default) and asserting HP_MRL_x#, or by Clearing both the serial EEPROM *MRL Sensor Present* and *Power Controller Control* register bits, the downstream slot is not powered up and remains in the disabled state, as defined in [Table 10-2](#).

If a slot's *Power Controller Present* bit is Set, and the *Power Controller Control* bit is Cleared (either by initially enabling and asserting HP_MRL_x#, or by programming the *MRL Sensor Present* and *Power Controller Control* bits to 0 in the serial EEPROM), the slot starts power-up sequencing with HP_PWREN_x and HP_PWRLED_x# assertion, following PEX_PERST# input de-assertion and serial EEPROM initialization. The serial EEPROM initialization delay is determined by the following:

- Serial EEPROM clock (EE_SK) frequency, programmable through the **Serial EEPROM Clock Frequency** register *EepFreq[2:0]* field (Port 0, and also NT Port Virtual Interface if Port 0 is the NT Port, offset 268h[2:0])
- Number of registers that are programmed to be initialized by the serial EEPROM

The power-up sequence is as follows:

1. The Hot Plug Controller drives HP_PWRLED_#x# Low, to turn On the Power Indicator, and drives HP_PWREN_x High, to turn On the external Power Controller.
2. After HP_PWR_GOOD_x input is sampled asserted High or T_{pepv} delay following HP_PWREN_x assertion, power to the slot is valid and the Hot Plug Controller drives HP_CLKEN_#x# Low, to turn On the Reference Clock (PEX_REFCLKn/p) to the slot. The T_{pepv} time delay is specified by programming the **Power Management Hot Plug User Configuration** register *HPC Tpepv* field (offset 1E0h[4:3]) to a non-zero value. Values of 01b, 10b, or 11b program the delay to 128, 256, or 512 ms, respectively. The default value, 00b, disables the feature, and uses the HP_PWR_GOOD_x input instead.
3. After the 100-ms T_{pvper1} time delay following HP_CLKEN_#x# assertion, the Hot Plug Controller de-asserts HP_PERST_#x# to release slot reset.

Consideration should be given to the combination of the serial EEPROM clock (EE_SK) frequency (programmable through the **Serial EEPROM Clock Frequency** register *EepFreq[2:0]* field (Port 0, and also NT Port Virtual Interface if Port 0 is the NT Port, offset 268h[2:0])), along with the number of registers to be initialized by serial EEPROM, as well as any delay for cascaded resets through multiple devices, and allow sufficient margin for devices to be ready for Host enumeration.

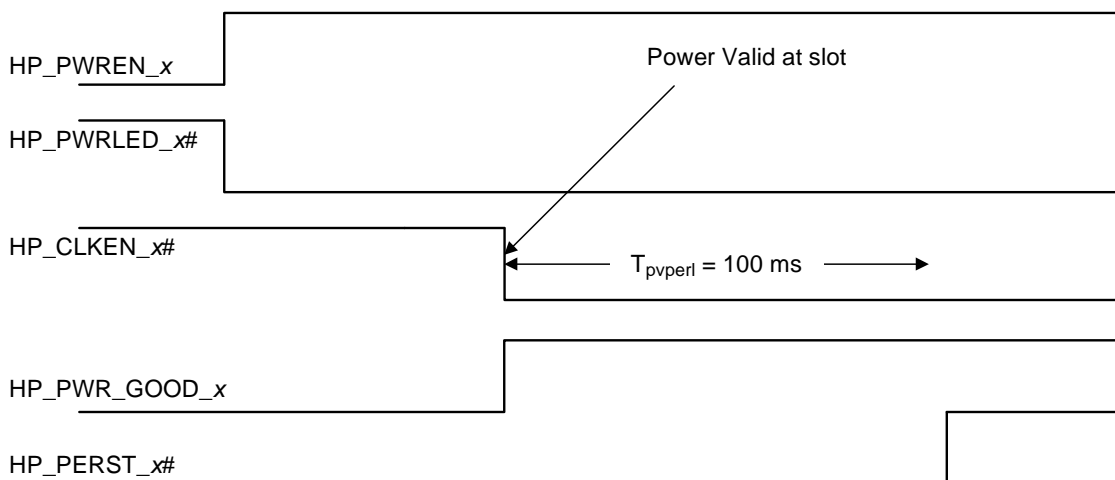
Figure 10-1 illustrates the timing sequence with the *Power Controller Present* bit (offset 7Ch[1]) Set. This timing sequence occurs at system power-up, or when a slot is being powered up by the user, using software control.

If HP_MRL_x# is enabled but not asserted to power-up the slot immediately after reset, HP_MRL_x# can be asserted at runtime to start the slot power-up sequence, provided that the *MRL Sensor Present* and *Power Controller Present* bits (offset 7Ch[2:1], respectively) are Set (either by default values when the serial EEPROM is not present or blank, or by programming the serial EEPROM to Set these bits), and the *Power Controller Control* bit (offset 80h[10]) is Cleared (either by the programmed serial EEPROM or by software).

Power-up sequencing at runtime is controlled by software Clearing the *Power Controller Control* bit in response to an interrupt caused by HP_MRL_x# input assertion (if an MRL Sensor is present, and the **Slot Control** register *Hot Plug Interrupt Enable* and *MRL Sensor Changed Enable* bits (offset 80h[5 and 2], respectively) are Set), and/or by the user pressing the Attention Button, if enabled (**Slot Control** register *Hot Plug Interrupt Enable* and *Attention Button Pressed Enable* bits (offset 80h[5 and 0], respectively) must be Set).

HP_MRL_x# and HP_BUTTON_x# assertion and de-assertion at runtime are not latched until the 10-ms de-bounce ensures that the state change is stable.

Figure 10-1. Slot Power-Up Timing When *Power Controller Present* Bit Is Set



Note: HP_PWRLED_x# is not asserted if the serial EEPROM or I²C Slave interface Clears the *Power Indicator Present* bit (offset 7Ch[4]).

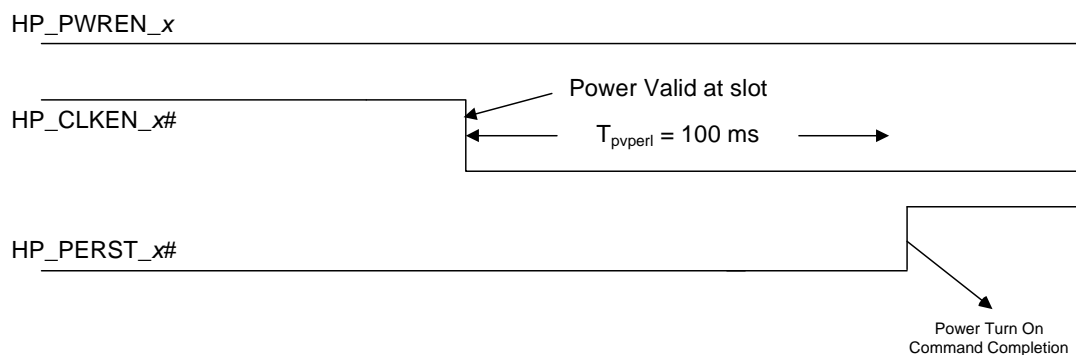
10.7.1.3 HP_PERST_x# (Reset) and HP_PWRLED_x# Output Power-Up Sequencing When *Power Controller Present* Bit Is Cleared

The HP_PERST_x# and HP_PWRLED_x# outputs can be used without enabling the Hot Plug Power Controller (HP_PWREN_x and HP_CLKEN_x# outputs and HP_PWRFLT_x# input). *For example*, HP_PERST_x# can be used to reset an on-board downstream device.

If the *Power Controller Present* and *Power Controller Control* bits (offsets 7Ch[1] and 80h[10], respectively) are Cleared by the serial EEPROM, HP_PERST_x# is de-asserted (High) and HP_PWRLED_x# is asserted (Low), after the Root Complex PERST# input is de-asserted, as illustrated in Figure 10-2. However, HP_PWRLED_x# is not asserted if the serial EEPROM also Cleared the *Power Indicator Present* bit (offset 7Ch[4]).

If the serial EEPROM is initially blank, causing register default values to be loaded, HP_PERST_x# is asserted and HP_PWRLED_x# is not asserted unless HP_MRL_x# is Low. Therefore, if the HP_PERST_x# and/or HP_PWRLED_x# outputs are used (and an MRL is *not* used), pull HP_MRL_x# Low, to allow the outputs to toggle, regardless of whether the serial EEPROM is blank.

Figure 10-2. Hot Plug Outputs When *Power Controller Present* and *Power Controller Control* Bits Are Cleared



Note: HP_PWRLED_x# is not asserted if the serial EEPROM or I²C Slave interface Clears the *Power Indicator Present* bit (offset 7Ch[4]).

10.7.1.4 Disabling Power-Up Hot Plug Output Sequencing

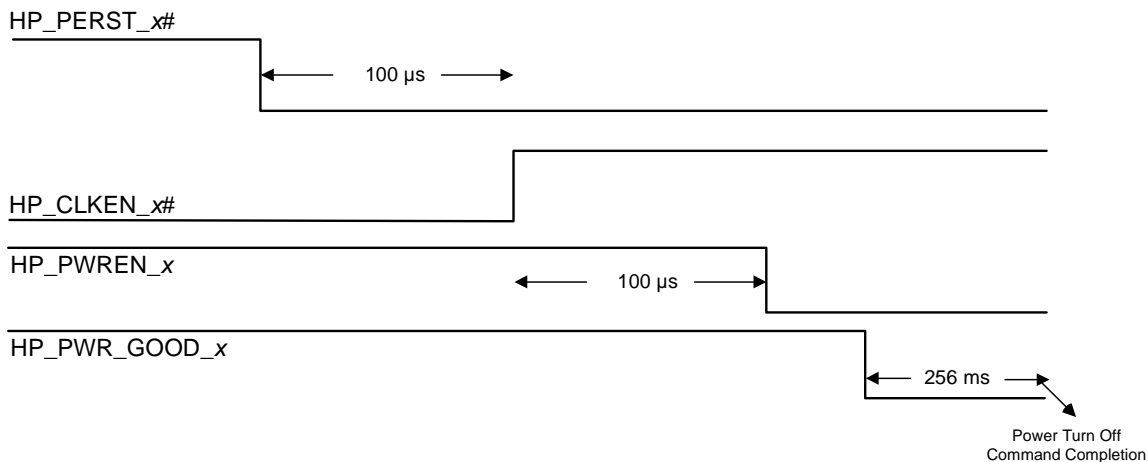
If the *Power Controller Control* bit is Set, after reset using the serial EEPROM, the HP_PWRLED_x#, and HP_CLKEN_x# outputs remain High, and the HP_PERST_x# and HP_PWREN_x outputs remain Low. The HP_PWRLED_x# and HP_CLKEN_x# outputs also remain High if HP_MRL_x# is not asserted during the default Hot Plug power-up sequencing described in [Section 10.7.1.2](#).

10.7.2 Slot Power-Down Sequence

Software can power-down slots by Setting the *Power Controller Control* bit (offset 80h[10]). If the *MRL Sensor Present* bit (offset 7Ch[2]) is Set, the Hot Plug Controller automatically powers down the slot if the MRL is open. [Figure 10-3](#) illustrates the following power-down timing sequence for either event:

1. HP_PERST_x# to the Port is asserted.
2. HP_CLKEN_x# is de-asserted to the slot 100 μ s after HP_PERST_x# is asserted.
3. HP_PWREN_x is de-asserted to the slot 100 μ s after HP_CLKEN_x# is de-asserted.

Figure 10-3. Hot Plug Automatic Power-Down Sequence

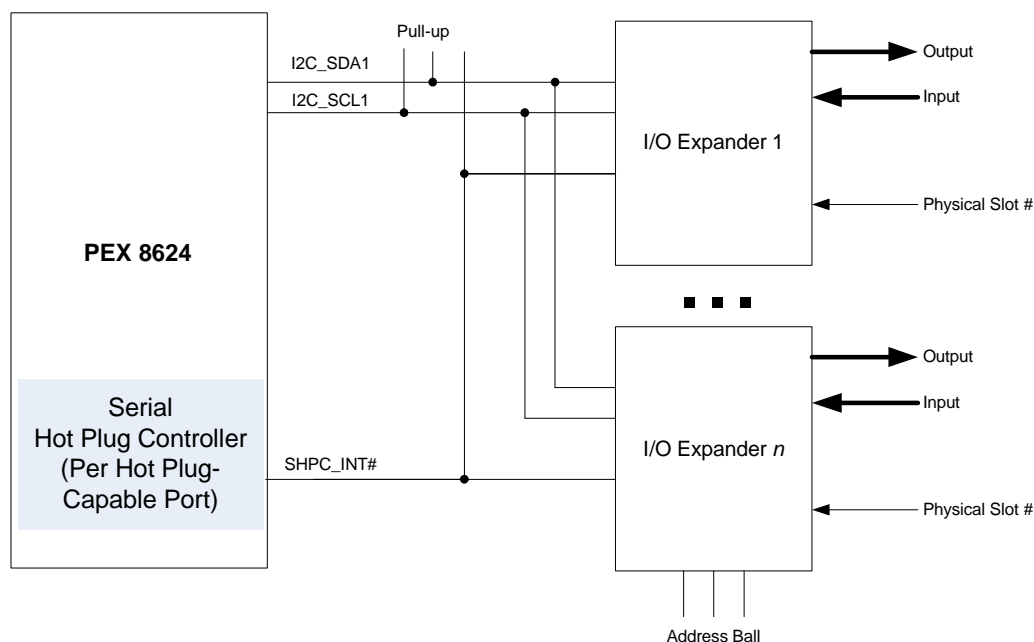


10.8 Serial Hot Plug Controller

Note: The I²C Master interface is described in this section. The Master capabilities are limited to the Serial Hot Plug Controller.

Using I/O Expander ICs sitting on an I²C Bus, the PEX 8624 has the option of Hot Plug capability on all its Transparent downstream Ports. Figure 10-4 illustrates the internal Serial Hot Plug Controller interface. The Serial Hot Plug Controller controls the output Ports on the I/O Expanders and retrieves the Port status, such as device connect status, Power Fault, and MRL Sensor position, from all I/O Expanders. When there is an input change to an I/O Expander, an INT_x interrupt from an I/O Expander goes Low and the PEX 8624 reads the I/O Expander. When an I/O Expander output Port requires updating with a new value, the PEX 8624 writes to the I/O Expander through the I²C Bus.

Figure 10-4. Serial Hot Plug Interface Diagram



10.8.1 Hot Plug Operations by way of I²C I/O Expander

When software issues a Slot Power On command, the Serial Hot Plug Controller issues an I²C Write to the I/O Expander, to assert the **PWREN** output on the I/O Expander, and thereby turn On the power. After the Write is complete, either the **HP_PWR_GOOD_x** input is sampled asserted or the T_{pepv} time has elapsed, the Serial Hot Plug Controller issues another Write to the I/O Expander, to assert its **REFCLKEN#** output, and thereby turn On the Reference Clock (REFCLK) at the slot.

Note: The T_{pepv} value is used when the **HP_PWR_GOOD_x** input is not used, as indicated by the **Power Management Hot Plug User Configuration** register **HPC Tpepv** field (offset **1E0h[4:3]**) not being Cleared (Cleared is the default).

After the **REFCLKEN#** output is asserted, the Serial Hot Plug Controller waits 100 ms, then issues another Write, to de-assert the I/O Expander **PERST#** output to the slot. If there are commands, *such as* Attention or Power LED changes along with the Power Control command, the Serial Hot Plug Controller includes the LED output value change, along with these Writes, to change the LED status. The same procedure applies to other commands, *such as* Port Power Off. After the Serial Hot Plug Controller completes all Write operations, it Sets the **Command Completed** bit. When another command is issued before the current command completes, the results are undefined. With a 100-kHz I²C clock, the time required to complete one Write operation to an I/O Expander is approximately 1 ms.

10.8.2 I²C I/O Expander Parts Selection and Pin Definition

Two types of I²C I/O Expanders can be used for Serial Hot Plug:

- **16-bit device** – For the 16-bit device, the 7-bit I²C address must be 0100_XXXb; a Maxim MAX7311, NXP PCA9555, or TI PCA9555 is recommended. All 16 I/O pins of the devices are used for one Port. A 16-bit device supports one Serial Hot Plug Port.

For further details, refer to the manufacturer's data sheets for the Maxim MAX7311, NXP PCA9555, or TI PCA9555.

- **40-bit device** – For the 40-bit device, the 7-bit I²C address must be 0100_XXXb; an NXP PCA9698 is recommended. The lower 32 I/O pins are used for two Ports. A 40-bit device supports two Serial Hot Plug Ports.

For further details, refer to the manufacturer's data sheet for the NXP PCA9698.

The PEX 8624 can support multiple 16- or 40-bit I/O Expanders, but not both types concurrently, to provide Hot Plug services on all Transparent downstream Ports. (Refer to the **Power Management Hot Plug User Configuration** register **40-Pin I/O Expander Enable** bit (Port 0, and also NT Port Virtual Interface if Port 0 is the NT Port, offset **1E0h[17]**)). The NXP PCA9555 and TI PCA9555 devices have only eight programmable I²C addresses; therefore, the maximum number of Serial Hot Plug-capable Ports with these I/O Expanders is eight. However, the Maxim MAX7311 can have up to 64 programmable Slave addresses; therefore, if using the MAX7311 I/O Expanders, all Transparent downstream Ports can be made Hot Plug-capable.

Table 10-4 defines the external I²C I/O Expander pins, in location order.

Table 10-4. External Hot Plug I²C I/O Expander Pin Definitions, by Location

| Signal Name | Direction | Description | Location | |
|------------------|-----------|---|--|--------------------------------------|
| | | | 16-Bit Device | 40-Bit Device |
| PWRLED# | O | Hot Plug Power LED Output Same function as HP_PWRLED_[C, B, A]# . | IO0_0 or P00 | IO0_0 IO2_0 |
| ATNLED# | O | Hot Plug Attention LED Output Same function as HP_ATNLED_[C, B, A]# . | IO0_1 or P01 | IO0_1 IO2_1 |
| PWREN | O | Hot Plug Power Enable Output Same function as HP_PWREN_[C, B, A] . | IO0_2 or P02 | IO0_2 IO2_2 |
| REFCLKEN# | O | Hot Plug Reference Clock Enable Output Same function as HP_CLKEN_[C, B, A]# . | IO0_3 or P03 | IO0_3 IO2_3 |
| PERST# | O | Hot Plug Reset Output Same function as HP_PERST_[C, B, A]# . | IO0_4 or P04 | IO0_4 IO2_4 |
| INTERLOCK | O | Electromechanical Interlock Output Control Used to physically lock the adapter or MRL in place until software releases it. The signal default is 0. The current state of the Electromechanical Interlock is reflected in the Slot Status register Electromechanical Interlock Status bit (offset 80h[23]). This output can be toggled by writing 1 to the Slot Control register Electromechanical Interlock Control bit (offset 80h[11]). A Write of 0 has no effect. INTERLOCK is enabled when the Slot Capability register Electromechanical Interlock Present bit (offset 7Ch[17]) is Set. By default, the bit is Set for Serial Hot Plug-capable Transparent downstream Ports. | IO0_5 or P05 | IO0_5 IO2_5 |
| GPIO | I/O | General-Purpose Input/Output (GPIO) Configured as input (default) or output by the HPC GPIO Config bit (offset 1E0h[18]), with the pin value in the HPC GPIO Input/Output Value bit (offset 1E0h[19]). | IO0_6 or P06 | IO0_6 IO2_6 |
| SLOT NUMBER[3:0] | I | Physical Slot Number Bits 7Ch[26:23] Slot Number value from I/O Expander inputs, which map to the Slot Capability register Physical Slot Number bits (offset 7Ch[26:23]). The value of the lowest 4 bits of the Physical Slot Number (offset 7Ch[22:19]) are automatically Set equal to the Port Number. | {IO1_2:0, IO0_7} or {P1[2:0], P07} | {IO1_2:0, IO0_7} {IO3_2:0, IO2_7} |
| PRSNT# | I | Hot Plug PRSNT2# Input Same function as HP_PRSNT_[C, B, A]# , but input only. | IO1_3 or P13 | IO1_3 IO3_3 |
| MRL# | I | Hot Plug Manually Operated Retention Latch Sensor Input Same function as HP_MRL_[C, A]# and HP_MRL_B# . | IO1_4 or P14 | IO1_4 IO3_4 |
| BUTTON# | I | Hot Plug Attention Button Input Same function as HP_BUTTON_[C, B, A]# . | IO1_5 or P15 | IO1_5 IO3_5 |
| PWRFLT# | I | Hot Plug Power Fault Input Same function as HP_PWRFLT_[C, B, A]# . | IO1_6 or P16 | IO1_6 IO3_6 |
| PWR_GOOD | I | Hot Plug Power Good Input Same function as HP_PWR_GOOD_[C, B, A] . | IO1_7 or P17 | IO1_7 IO3_7 |

10.8.3 Serial Hot Plug Port Enumeration and Assignment

Each I/O Expander has a 7-bit address; the PEX 8624 scans for sequential I²C addresses, starting with address 40h.

After `PEX_PERST#` de-asserts and the serial EEPROM (if present) load completes, the Serial Hot Plug Controller accesses all I²C addresses to perform the I/O Expander hunt, to determine the presence of external I/O Expander devices. If the Controller receives an Acknowledge Control Packet (ACK) from the I/O Expander, it remembers the presence of an external I/O Expander device, which is assigned to one of the Transparent downstream Ports.

The PEX 8624 has three Stations, for a total of one to two PCI Express Ports per Station. The PEX 8624 has only sufficient signal balls to support one Parallel Hot Plug-capable Port per Station. Each Station (Stations 0, 1, and 2) has a 2-bit Configuration register field that is used to select the Parallel Hot Plug-capable Port (*HP Parallel Port* field (Port 0, 4, or 8, offset 1E0h[14:13]). The default value of this field is 01b for Stations configured with two Ports, which means that Ports 1, 5, and 9 are Parallel Hot Plug-capable. When Station 0 and/or 2 is programmed as x8, the value of this field is 00b, and therefore the first Port in the Station (Port 0 and/or 8) is Parallel Hot Plug-capable. This field can be programmed by serial EEPROM data loading.

To simplify the Serial Hot Plug Port enumeration and assignment, the virtual Serial Hot Plug Port definition is provided as follows, and the mapping between virtual Serial Hot Plug Port and PEX 8624 Ports is provided later.

Table 10-5 defines the virtual Serial Hot Plug Port for a 16-bit device, *such as* a Maxim MAX7311, NXP PCA9555, or TI PCA9555. Table 10-6 defines the virtual Serial Hot Plug Port for a 40-bit device, *such as* an NXP PCA9698.

Table 10-5. Virtual Serial Hot Plug Port Definition for 16-Bit Device

| | | | | | | | | |
|-------------------------------------|---|---|---|---|---|---|---|---|
| I ² C Slave Address[2:0] | 0 | 1 | 2 | 3 | 4 | 5 | 6 | 7 |
| Virtual Serial Hot Plug Port # | 0 | 1 | 2 | 3 | 4 | 5 | 6 | 7 |

Table 10-6. Virtual Serial Hot Plug Port Definition for 40-Bit Device

| | | | | | | | | |
|-------------------------------------|------|-------|------|-------|------|-------|------|-------|
| I ² C Slave Address[2:0] | 0 | 0 | 1 | 1 | 2 | 2 | 3 | 3 |
| I/O Pin Range | 0-15 | 16-31 | 0-15 | 16-31 | 0-15 | 16-31 | 0-15 | 16-31 |
| Virtual Serial Hot Plug Port # | 0 | 1 | 2 | 3 | 4 | 5 | 6 | 7 |

The following four types of Ports are not Serial Hot Plug-capable, and therefore are not assigned a virtual Serial Hot Plug Port Number:

- Disabled Ports, due to Port configuration
For the Ports residing on Stations 0 and 2, the first Port's Number starts from 0 (*that is*, the first Port of Station 0 is Port 0 and the first Port of Station 2 is Port 8). For the Ports residing on Station 1, the first Port's number starts from 1 (*that is*, the first Port of Station 1 is Port 5). While doing the Serial Hot Plug Port enumeration and assignment, treat Port 4 as enabled. Port 4 can be assigned a virtual Serial Hot Plug Port Number, though it may seem wasted.
- Upstream Port
- NT Port (Station 0 only)
- Parallel Hot Plug-capable Ports (per Port, per Station) (*that is*, Ports that are both Serial and Parallel Hot Plug-capable will be designated as Parallel Hot Plug-capable Ports)

10.9 Hot Plug Board Insertion and Removal Process

Table 10-7 defines the board insertion procedure supported by the PEX 8624. Table 10-8 defines the board removal procedure. Both processes apply to Parallel and Serial Hot Plug-capable Transparent downstream Ports.

Table 10-7. Hot Plug Board Insertion Process

| Operator / Action | Hot Plug Controller | Software |
|------------------------------|--|--|
| A. Places board in slot. | <ol style="list-style-type: none"> 1. Sets the <i>Presence Detect State</i> bit. 2. Sets the <i>Presence Detect Changed</i> bit. 3. Generates an Interrupt Message due to <i>Presence Detect Changed</i> event, if enabled. | Clears the <i>Presence Detect Changed</i> bit. |
| | <ol style="list-style-type: none"> 4. Transmits an Interrupt de-assertion Message, if enabled. | |
| B. Locks MRL. | <ol style="list-style-type: none"> 5. Clears the <i>MRL Sensor State</i> bit. 6. Sets the <i>MRL Sensor Changed</i> bit. 7. Generates an Interrupt Message due to <i>MRL Sensor Changed</i> event, if enabled. | Clears the <i>MRL Sensor Changed</i> bit. |
| | <ol style="list-style-type: none"> 8. Transmits an Interrupt de-assertion Message, if enabled. | |
| C. Presses Attention Button. | <ol style="list-style-type: none"> 9. Sets the <i>Attention Button Pressed</i> bit. 10. Generates an Interrupt Message due to <i>Attention Button Pressed</i> event, if enabled. | Clears the <i>Attention Button Pressed</i> bit. |
| | <ol style="list-style-type: none"> 11. Transmits an Interrupt de-assertion Message, if enabled. | Programs the Slot Control register <i>Power Indicator Control</i> field to 10b, to blink the Power Indicator LED, which indicates that the board is being powered up. |
| Continued... | | |

Table 10-7. Hot Plug Board Insertion Process (Cont.)

| Operator / Action | Hot Plug Controller | Software |
|----------------------------|--|--|
| D. Power Indicator blinks. | <p>12. Blinks the Power Indicator LED.</p> <p>13. Sets the <i>Command Completed</i> bit.</p> <p>14. Generates an Interrupt Message due to Power Indicator Blink command Completion, if enabled.</p> | Clears the <i>Command Completed</i> bit. |
| | 15. Transmits an Interrupt de-assertion Message, if enabled. | Clears the Slot Control register <i>Power Controller Control</i> bit, to turn On power to the Port. |
| | <p>16. Slot is powered up.</p> <p>17. After HP_PWR_GOOD_x input is sampled asserted High or T_{pepv} delay, Sets the <i>Command Completed</i> bit.</p> <p>18. Generates an Interrupt Message due to Power Turn On command Completion, if enabled.</p> | Clears the <i>Command Completed</i> bit. |
| | 19. Transmits an Interrupt de-assertion Message, if enabled. | Programs the Slot Control register <i>Power Indicator Control</i> field to 01b, to turn On the Power Indicator LED, which indicates that the slot is fully powered On. |
| E. Power Indicator On. | <p>20. Turns On the Power Indicator LED.</p> <p>21. Transmits an Interrupt assertion Message due to Power Indicator Turn On command Completion, if enabled.</p> | Clears the <i>Command Completed</i> bit. |
| | <p>22. Transmits an Interrupt de-assertion Message, if enabled.</p> <p>23. After the Data Link Layer is up, Sets the Slot Status register <i>Data Link Layer State Changed</i> bit (offset 80h[24]), and transmits the corresponding interrupt, if enabled.</p> | <p>Software can now read the Link Status register <i>Data Link Layer Link Active</i> bit (offset 78h[29]). A value of 1 in this bit indicates that the board is ready to be used.</p> <p>Clears the <i>Data Link Layer State Changed</i> bit and interrupt, if enabled.</p> |
| | 24. Transmits an Interrupt de-assertion Message, if enabled. | |

Table 10-8. Hot Plug Board Removal Process

| Operator / Action | Hot Plug Controller | Software |
|--|---|--|
| A. Presses Attention Button. | <ol style="list-style-type: none"> 1. Sets the <i>Attention Button Pressed</i> bit. 2. Generates an Interrupt Message due to Attention Button pressed, if enabled. | Clears the <i>Attention Button Pressed</i> bit. |
| | <ol style="list-style-type: none"> 3. Transmits an Interrupt de-assertion Message, if enabled. | Programs the Slot Control register <i>Power Indicator Control</i> field to 10b, to blink the Power Indicator LED, which indicates that the board is being powered down. |
| B. Power Indicator blinks. | <ol style="list-style-type: none"> 4. Blinks the Power Indicator LED. 5. Sets the <i>Command Completed</i> bit. 6. Generates an Interrupt Message due to Power Indicator Blink command Completion, if enabled. | Clears the <i>Command Completed</i> bit. |
| | <ol style="list-style-type: none"> 7. Transmits an Interrupt de-assertion Message, if enabled. | Sets the Slot Control register <i>Power Controller Control</i> bit, to turn Off power to the Port. |
| C. Power Indicator Off. | <ol style="list-style-type: none"> 8. Slot is powered Off. 9. Sets the <i>Data Link Layer State Changed</i> bit, and transmits an interrupt, if enabled. 10. After a 256-ms delay from HP_PWR_GOOD_x sampled de-asserted (if HP_PWR_GOOD_x input is enabled through the <i>HPC Tpepv</i> field (offset 1E0h[4:3], is Cleared)), Sets the <i>Command Completed</i> bit. 11. Generates an Interrupt Message due to Power Turn Off command Completion, if enabled. | <p>Clears the <i>Data Link Layer State Changed</i> bit and interrupt.</p> <p>Clears the <i>Command Completed</i> bit.</p> <p>Programs the <i>Power Indicator Control</i> field to 11b, to turn Off the Power Indicator LED, which indicates that the slot is fully powered Off and the board can be removed.</p> |
| D. Power Indicator Off, board ready to be removed. | <ol style="list-style-type: none"> 12. Turns Off the Power Indicator LED. 13. Sets the <i>Command Completed</i> bit, due to Power Indicator Off command Completion. | Clears the <i>Command Completed</i> bit. |
| | <ol style="list-style-type: none"> 14. Transmits an Interrupt de-assertion Message, if enabled. | |
| E. Unlocks MRL. | <ol style="list-style-type: none"> 15. Sets the <i>MRL Sensor State</i> bit. 16. Sets the <i>MRL Sensor Changed</i> bit. 17. Generates an Interrupt Message due to MRL Sensor state change, if enabled. | Clears the <i>MRL Sensor Changed</i> bit. |
| | <ol style="list-style-type: none"> 18. Transmits an Interrupt de-assertion Message, if enabled. | |
| F. Removes board from slot. | <ol style="list-style-type: none"> 19. Clears the <i>Presence Detect State</i> bit. 20. Sets the <i>Presence Detect Changed</i> bit. 21. Generates an Interrupt Message due to Presence Detect change, if enabled. | Clears the <i>Presence Detect Changed</i> bit. |
| | <ol style="list-style-type: none"> 22. Transmits an Interrupt de-assertion Message, if enabled. | |

THIS PAGE INTENTIONALLY LEFT BLANK.

11.1 Overview

The PEX 8624 Power Management (PM) features provide the following services:

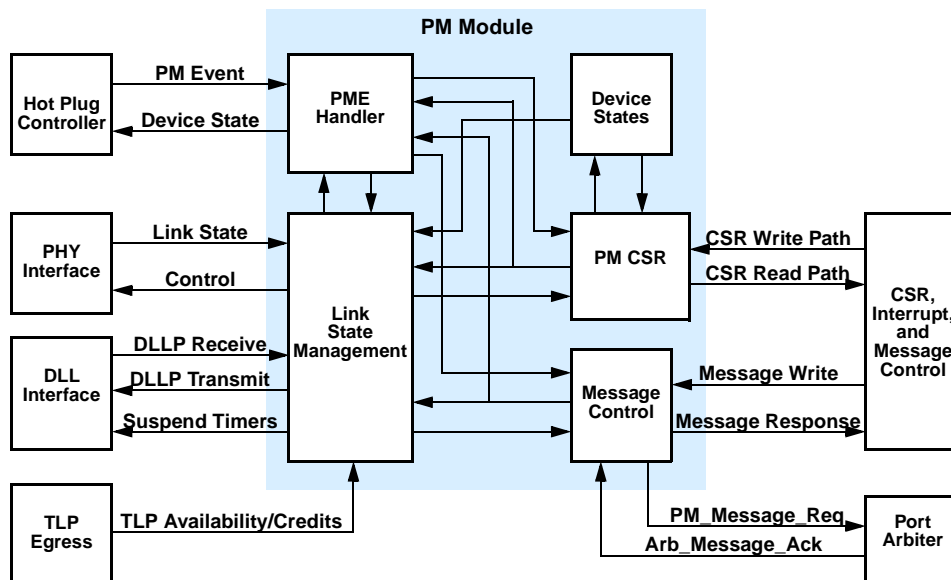
- Mechanisms to identify PM capabilities
- Ability to transition into certain PM states
- Notification of the current PM state of each Port
- Support for the option to wakeup the system upon a specific event

The PEX 8624 supports hardware-autonomous PM and software-driven D-State PM. The switch also supports the L0s and L1 Link PM states in hardware-autonomous Active State Power Management (ASPM), as well as the L1, L2/L3 Ready, and L3 Link PM states in Conventional PCI-compatible PM. D0, D3hot, and D3cold Device PM states are supported in Conventional PCI-compatible PM. Because the PEX 8624 does *not support* Vaux, Power Management Event (PME) generation from the D3cold Device PM state is *not supported*.

The PM module interfaces with a Physical Layer (PHY) electrical sub-block, to transition the Link state into a low-power state, when the module receives a Power State Change Request from a downstream component, or an internal event forces the Link state entry into low-power states in hardware-autonomous ASPM mode. PCI Express Link states are not directly visible to Conventional PCI Bus driver software; however, they are derived from the PM state of the components residing on those Links.

Figure 11-1 provides a functional block diagram of the PEX 8624 PM module.

Figure 11-1. PM Module Functional Block Diagram



Note: The Hot Plug Controller is available only on Hot Plug-capable Transparent downstream Ports.

11.2 Power Management Features

- *PCI Express Base r2.0-compliant*
- *PCI Power Mgmt. r1.2-compliant*
- Link Power Management States (*L-States*; also referred to as *Link PM states*)
 - PCI Bus Power Management – L1, L2/L3 Ready, and L3 (*Vaux is not supported*)
 - Active State Power Management (ASPM) – L0s and L1
- Device Power Management State (*D-States*; also referred to as *Device PM states*)
 - D0 (D0uninitialized and D0active) and D3 (D3hot) support
- Power Management Event (PME) support from D3hot
- PME due to Hot Plug and/or PCI Express Hot Plug events
- Forwards PME_Turn_Off broadcast messages
- Implements Gen 2-specific Control and Status registers, and associated interrupts
- Supports ASPM L0s, ASPM L1, PCI PM L1, and L2/L3 Ready power states in NT mode

11.3 Power Management Capability

11.3.1 Device Power Management States

The PEX 8624 supports the PCI Express PCI-PM D0 and D3hot Device PM states. The D1 and D2 Device PM states, which are optional in the *PCI Express Base r2.0*, are **not supported** by the PEX 8624.

The D3hot Device PM state can be entered from the D0 Device PM state, when system software programs the Port's **PCI Power Management Status and Control** register *Power State* field (offset 44h[1:0]) to 11b. The D0uninitialized Device PM state can be entered from the D3hot Device PM state when system software Clears the Port's *Power State* field.

11.3.1.1 D0 Device Power Management State

The D0 Device PM state is divided into two distinct sub-states – *uninitialized* and *active*. When power is initially applied to a PCI Express component, it defaults to the D0uninitialized Device PM state. The component remains in the D0uninitialized Device PM state until the serial EEPROM load and initial Link training completes.

A device enters the D0active Device PM state when system software Sets any combination of the **PCI Command** register *Bus Master Enable*, *Memory Access Enable*, and/or *I/O Access Enable* bits (offset 04h[2, 1, and/or 0], respectively).

11.3.1.2 D3hot Device Power Management State

Once in the D3hot Device PM state, the PEX 8624 can later be transitioned into the D3cold Device PM state, by removing power from its Host component. Functions that are in the D3hot Device PM state can be transitioned, by software, to the D0uninitialized Device PM state. When in the D3hot Device PM state, Hot Plug or Link State operations cause a PME in the PEX 8624.

Only Type 0 Configuration accesses are allowed in the D3hot Device PM state. Memory and I/O transactions result in an Unsupported Request (UR). Completions flowing in either direction are not affected.

Type 1 transactions flowing toward a PEX 8624 Port in the D3hot Device PM state are terminated as URs. Type 0 Configuration transactions complete successfully. When the PEX 8624 upstream Port is programmed to the D3hot Device PM state, the Port initiates Conventional PCI-PM L1 Link PM state entry.

11.3.2 Link Power Management States

PEX 8624 components hold their upstream Link and downstream Links in the L0 Link PM state during standard device operation (Conventional PCI-PM state is in the D0active Device PM state). ASPM defines a mechanism for components in the D0 Device PM state, to reduce Link power by placing their Links into a low-power state and instructing the other end of the Link to do likewise. This allows hardware-autonomous, dynamic Link power reduction beyond what is achievable by software-only-controlled PM. Table 11-1 defines the relationship between a component's Power state and upstream Link. Table 11-2 defines the relationship between Link PM states and power-saving actions.

Conventional PCI PM, and the L1 and L2/L3 Ready Link PM states are controlled by system software programming the PEX 8624 into the D3hot Device PM state, and subsequently causing the Root Complex to broadcast the PME_Turn_Off Message to the downstream hierarchy.

Table 11-1. Relationship between Component Power State and Upstream Link

| Downstream Component Device PM State | Permissible Upstream Component Device PM State | Permissible Interconnect Link PM State |
|--------------------------------------|--|--|
| D0 | D0 | L0, L0s, L1 (optional) – ASPM. |
| D3hot | D0 to D3hot | L1, L2/L3 Ready. |
| D3cold (no Vaux) | D0 to D3cold | L3 (off). Zero power. |

Table 11-2. Relationship between Link PM States and Power-Saving Actions

| Link PM State | Power-Saving Actions |
|---------------|--|
| Tx L0s | PHY Tx Lanes are in a high-impedance state. |
| Rx L0s | PHY Rx Lanes in a low-power state. |
| L1 | PHY Tx and Rx Lanes are in a low-power state. Flow Control (FC) timers are suspended. |
| L2/L3 Ready | PHY Tx and Rx Lanes are in a low-power state. FC timers are suspended. |
| L3 (D3cold) | Component is fully powered Off. |

11.3.3 PCI Express Power Management Support

The PEX 8624 supports PM features required in the *PCI Express Base r2.0*. Table 11-3 lists supported and non-supported features and the register bits/fields used for configuration or activation.

Table 11-3. Supported PCI Express PM Capabilities

| Register | | Description | Supported | |
|----------|--|---|-----------|----|
| Offset | Bit(s) | | Yes | No |
| 40h | PCI Power Management Capability (All Ports) | | | |
| | 7:0 | Capability ID Programmed to 01h, indicating that the Capability structure is the PCI Power Management Capability structure. | ✓ | |
| | 15:8 | Next Capability Pointer Default 48h points to the MSI Capability structure. | ✓ | |
| | 18:16 | Version Default 011b indicates compliance with the <i>PCI Power Mgmt. r1.2</i> . | ✓ | |
| | 19 | PME Clock Power Management Event (PME) clock. Does not apply to PCI Express. Returns 0. | | ✓ |
| | 21 | Device-Specific Initialization Default 0 indicates that Device-Specific Initialization is <i>not</i> required. | ✓ | |
| | 24:22 | AUX Current The PEX 8624 does <i>not support</i> PME generation from the D3cold Device Power Management (PM) state; therefore, the serial EEPROM value for this field should be 000b. | | ✓ |
| | 25 | D1 Support Default value of 0 indicates that the PEX 8624 does <i>not support</i> the D1 Device PM state. | | ✓ |
| | 26 | D2 Support Default value of 0 indicates that the PEX 8624 does <i>not support</i> the D2 Device PM state. | | ✓ |
| | 31:27 | PME Support Bits [31, 30, and 27] must be Set, to indicate that the PEX 8624 will forward PME Messages, as required by the <i>PCI Express Base r2.0</i> . | ✓ | |

Table 11-3. Supported PCI Express PM Capabilities (Cont.)

| Register | | Description | Supported | |
|----------|--|---|-----------|----|
| Offset | Bit(s) | | Yes | No |
| 44h | PCI Power Management Status and Control (All Ports) | | | |
| | 1:0 | <p>Power State Used to determine the Port's current Device PM state, and to program the Port into a new Device PM state.</p> <p>00b = D0 01b = D1 – <i>Not supported</i> 10b = D2 – <i>Not supported</i> 11b = D3hot</p> <p>If software attempts to write an unsupported state to this field, the Write operation completes normally; however, the data is discarded and no state change occurs.</p> | ✓ | |
| | 3 | <p>No Soft Reset 1 = Devices transitioning from the D3hot to D0 Device PM state, because of Power State commands, do not perform an internal reset</p> | ✓ | |
| | 8 | <p>PME Enable 0 = Disables PME generation by the corresponding PEX 8624 Port^a 1 = Enables PME generation by the corresponding PEX 8624 Port</p> | ✓ | |
| | 12:9 | <p>Data Select Initially writable by serial EEPROM and/or I²C only^b. This Configuration Space register (CSR) access privilege changes to RW after a Serial EEPROM or I²C Write occurs to this register. Selects the Data and Data Scale registers (fields [31:24 and 14:13], respectively).</p> <p>0h = D0 power consumed 3h = D3hot power consumed 4h = D0 power dissipated 7h = D3hot power dissipated All other encodings are <i>reserved</i>.</p> | ✓ | |
| | 14:13 | <p>Data Scale Writable by serial EEPROM and/or I²C only^b. Indicates the scaling factor to be used when interpreting the Data register value. The value and meaning of this field varies, depending upon which data value is selected by field [12:9] (<i>Data Select</i>). There are four internal Data Scale registers (one each, per <i>Data Select</i> values 0h, 3h, 4h, and 7h), per Port. For other <i>Data Select</i> values, the Data Scale value returned is 0h.</p> | ✓ | |
| 15 | <p>PME Status 0 = PME is not generated by the corresponding PEX 8624 Port^a 1 = PME is being generated by the corresponding PEX 8624 Port</p> | ✓ | | |

- a. Because the PEX 8624 does not consume auxiliary power, this bit is not sticky, and is always Cleared at power-on reset.
- b. With no serial EEPROM nor previous I²C programming, Reads return 00h for the **Data** and **Data Scale** registers (for all *Data Selects*).

Table 11-3. Supported PCI Express PM Capabilities (Cont.)

| Register | | Description | Supported | |
|----------|--|--|-----------|----|
| Offset | Bit(s) | | Yes | No |
| 44h | PCI Power Management Control/Status Bridge Extensions (All Ports) | | | |
| | 22 | B2/B3 Support <i>Reserved</i> Cleared, as required by the <i>PCI Power Mgmt. r1.2</i> . | | ✓ |
| | 23 | Bus Power/Clock Control Enable <i>Reserved</i> Cleared, as required by the <i>PCI Power Mgmt. r1.2</i> . | | ✓ |
| | PCI Power Management Data (All Ports) | | | |
| | 31:24 | Data Writable by serial EEPROM and/or I ² C only ^b . There are four supported <i>Data Select</i> values (0h, 3h, 4h, and 7h), per Port. For other <i>Data Select</i> values, the Data Scale value returned is 0h. Selected by field [12:9] (<i>Data Select</i>). | ✓ | |
| 6Ch | Device Capability (All Ports) | | | |
| | 8:6 | Endpoint L0s Acceptable Latency Because the PEX 8624 is a switch and not an endpoint, the PEX 8624 does <i>not support</i> this feature. 000b = Disables the capability | | ✓ |
| | 11:9 | Endpoint L1 Acceptable Latency Because the PEX 8624 is a switch and not an endpoint, the PEX 8624 does <i>not support</i> this feature. 000b = Disables the capability | | ✓ |
| | 25:18 | Captured Slot Power Limit Value (Upstream Port and NT Port) For the PEX 8624 upstream Port, the upper limit on power supplied by the slot is determined by multiplying the value in this field by the value in field [27:26] (<i>Captured Slot Power Limit Scale</i>). Do not change for downstream Ports. | ✓ | |
| | 27:26 | Captured Slot Power Limit Scale (Upstream Port and NT Port) For the PEX 8624 upstream Port, the upper limit on power supplied by the slot is determined by multiplying the value in this field by the value in field [25:18] (<i>Captured Slot Power Limit Value</i>). 00b = 1.0 01b = 0.1 10b = 0.01 11b = 0.001 Do not change for downstream Ports. | ✓ | |

- a. Because the PEX 8624 does not consume auxiliary power, this bit is not sticky, and is always Cleared at power-on reset.
- b. With no serial EEPROM nor previous I²C programming, Reads return 00h for the **Data** and **Data Scale** registers (for all *Data Selects*).

Table 11-3. Supported PCI Express PM Capabilities (Cont.)

| Register | | Description | Supported | |
|----------|------------------------------------|---|-----------|----|
| Offset | Bit(s) | | Yes | No |
| 70h | Device Control (All Ports) | | | |
| | 10 | AUX Power PM Enable | | ✓ |
| | Device Status (All Ports) | | | |
| | 20 | AUX Power Detected | | ✓ |
| 74h | Link Capability (All Ports) | | | |
| | 11:10 | Active State Power Management (ASPM) Support Active State Link PM support. Indicates the level of ASPM supported by the Port. 01b = L0s Link PM state entry is supported 11b = L0s and L1 Link PM states are supported All other encodings are <i>reserved</i> . | ✓ | |
| | 14:12 | L0s Exit Latency Indicates the L0s Link PM state exit latency for the given PCI Express Link. Value depends upon the Physical Layer Command and Status register <i>N_FTS Value</i> field (Port 0, 4, or 8, and also NT Port Virtual Interface if Port 0 is the NT Port, offset 220h[15:8]) value and Link speed. Exit latency is calculated, as follows: <ul style="list-style-type: none"> • 2.5 GHz – Multiply <i>N_FTS Value</i> x 4 (4 symbol times in 1 N_FTS) x 4 ns (1 symbol time at 2.5 GT/s) • 5.0 GHz – Multiply <i>N_FTS Value</i> x 4 (4 symbol times in 1 N_FTS) x 2 ns (1 symbol time at 5.0 GT/s) 100b = Corresponding PEX 8624 Port L0s Link PM state Exit Latency is 512 ns to less than 1 μs at 5.0 GT/s 101b = Corresponding PEX 8624 Port L0s Link PM state Exit Latency is 1 μs to less than 2 μs at 2.5 GT/s | ✓ | |
| | 17:15 | L1 Exit Latency Indicates the L1 Link PM state exit latency for the given PCI Express Link. Value depends upon the Link speed. 001b = Corresponding PEX 8624 Port L1 Link PM state Exit Latency is 1 μs to less than 2 μs at 5.0 GT/s 010b = Corresponding PEX 8624 Port L1 Link PM state Exit Latency is 2 μs to less than 4 μs at 2.5 GT/s | ✓ | |
| | 18 | Clock Power Management Capable | ✓ | |

Table 11-3. Supported PCI Express PM Capabilities (Cont.)

| Register | | Description | Supported | |
|--|--------|---|-----------|----|
| Offset | Bit(s) | | Yes | No |
| Link Control (All Ports) | | | | |
| 78h | 1:0 | Active State Power Management (ASPM) 00b = Disable ^c 01b = Enables only L0s Link PM state Entry 10b = Enables only L1 Link PM state Entry 11b = Enables both L0s and L1 Link PM state Entries | ✓ | |
| | 8 | Clock Power Management Enable The PEX 8624 does <i>not support</i> removal of the Reference Clock in the L1 and L2/L3 Ready Link PM states. | | ✓ |
| Slot Capability (Only Downstream Ports; Upstream Port Always Reads 0) | | | | |
| 7Ch | 0 | Attention Button Present <i>Reserved</i> for the upstream Port and NT Port. 0 = Attention Button is not implemented. 1 = Attention Button is implemented on the slot chassis of the corresponding PEX 8624 Hot Plug-capable Transparent downstream Port. Set if the Port is Parallel or Serial Hot Plug-capable. | ✓ | |
| | 1 | Power Controller Present <i>Reserved</i> for the upstream Port and NT Port. Enables or disables the Hot Plug Controller on the PEX 8624 Hot Plug-capable Transparent downstream Ports. Set if the Port is Parallel or Serial Hot Plug-capable. 0 = Power Controller is not implemented. The Hot Plug Controller is disabled for that slot and a power-up sequence is not executed. The slot remains in the disabled state. 1 = Power Controller is implemented for the slot of the corresponding PEX 8624 Hot Plug-capable Transparent downstream Port. Hot Plug Controller powers up the slot when the Manually operated Retention Latch (MRL) is closed and the Slot Control register <i>Power Controller Control</i> bit (offset 80h[10]) is Cleared. Otherwise, if bit 2 (<i>MRL Sensor Present</i>) is disabled (Cleared), the MRL's position has no effect on powering up the slot. | ✓ | |
| | 2 | MRL Sensor Present <i>Reserved</i> for the upstream Port and NT Port. Set if the Port is Parallel or Serial Hot Plug-capable. 0 = MRL Sensor is not implemented. MRL position is "Don't Care" for that slot. 1 = MRL Sensor is implemented on the slot chassis of the corresponding PEX 8624 Hot Plug-capable Transparent downstream Port. The PEX 8624 senses whether the MRL is open or closed for a slot. MRL should be Low for power-on for that slot. | ✓ | |
| | 3 | Attention Indicator Present <i>Reserved</i> for the upstream Port and NT Port. Set if the Port is Parallel or Serial Hot Plug-capable. 0 = Attention Indicator is not implemented. HP_ATNLED_x# output is not functional on the slot. 1 = Attention Indicator is implemented on the slot chassis of the corresponding PEX 8624 Hot Plug-capable Transparent downstream Port. Controls whether the HP_ATNLED_x# output for the slot drives out Active-Low. | ✓ | |

c. The Port Receiver must be capable of entering the L0s Link PM state, regardless of whether the state is disabled.

Table 11-3. Supported PCI Express PM Capabilities (Cont.)

| Register | | Description | Supported | |
|--|--------|---|-----------|----|
| Offset | Bit(s) | | Yes | No |
| Slot Capability (Only Downstream Ports; Upstream Port Always Reads 0) (Cont.) | | | | |
| 7Ch | 4 | <p>Power Indicator Present <i>Reserved</i> for the upstream Port and NT Port. Set if the Port is Parallel or Serial Hot Plug-capable.</p> <p>0 = Power Indicator is not implemented. HP_PWRLLED_x# output is not functional on the slot. 1 = Power Indicator is implemented on the slot chassis of the corresponding PEX 8624 Hot Plug-capable Transparent downstream Port. Controls whether the HP_PWRLLED_x# output for the slot drives out Active-Low.</p> | ✓ | |
| | 5 | <p>Hot Plug Surprise <i>Reserved</i> for the upstream Port and NT Port.</p> <p>0 = No device in the corresponding PEX 8624 downstream Port slot is removed from the system without prior notification 1 = Device in the corresponding PEX 8624 downstream Port slot can be removed from the system without prior notification</p> | ✓ | |
| | 6 | <p>Hot Plug Capable <i>Reserved</i> for the upstream Port and NT Port.</p> <p>0 = Corresponding PEX 8624 downstream Port slot is not capable of supporting Hot Plug operations. 1 = Corresponding PEX 8624 downstream Port slot is capable of supporting Hot Plug operations. Set if the Port is Parallel or Serial Hot Plug-capable.</p> | ✓ | |
| | 14:7 | <p>Slot Power Limit Value <i>Reserved</i> for the upstream Port. The maximum power supplied by the corresponding PEX 8624 downstream slot is determined by multiplying the value in this field (expressed in decimal; 25d = 19h) by the value specified in the <i>Slot Power Limit Scale</i> field. This field must be implemented if the PCI Express Capability register <i>Slot Implemented</i> bit (offset 68h[24]) is Set (default). Serial EEPROM and/or I²C Writes to this register or a DLL Up event causes the downstream Port to send the Set_Slot_Power_Limit Message to the device connected to it, so as to convey the Limit value to the downstream device's upstream Port Device Capability register <i>Captured Slot Power Limit Value</i> and <i>Captured Slot Power Limit Scale</i> fields.</p> | ✓ | |
| | 16:15 | <p>Slot Power Limit Scale <i>Reserved</i> for the upstream Port. The maximum power supplied by the corresponding PEX 8624 downstream slot is determined by multiplying the value in this field by the value specified in the <i>Slot Power Limit Value</i> field. This field must be implemented if the PCI Express Capability register <i>Slot Implemented</i> bit (offset 68h[24]) is Set (default). Serial EEPROM and/or I²C Writes to this register or a DLL Up event causes the downstream Port to send the Set_Slot_Power_Limit Message to the device connected to it, so as to convey the Limit value to the downstream device's upstream Port Device Capability register <i>Captured Slot Power Limit Value</i> and <i>Captured Slot Power Limit Scale</i> fields.</p> <p>00b = 1.0x 01b = 0.1x 10b = 0.01x 11b = 0.001x</p> | ✓ | |

Table 11-3. Supported PCI Express PM Capabilities (Cont.)

| Register | | Description | Supported | |
|----------|---|---|-----------|----|
| Offset | Bit(s) | | Yes | No |
| 80h | Slot Control (Only Downstream Ports; Upstream Port Always Reads 0) | | | |
| | 1 | <p>Power Fault Detector Enable <i>Reserved</i> for the upstream Port and NT Port. 0 = Function is disabled 1 = Enables software notification with an interrupt if the Port is in the D0 Device PM state (PCI Power Management Status and Control register <i>Power State</i> field, offset 44h[1:0], is Cleared), or with a PME Message if the Port is in the D3hot Device PM state (offset 44h[1:0], are both Set), for a Power Fault Detected event on the corresponding PEX 8624 Hot Plug-capable Transparent downstream Port.</p> | ✓ | |
| | 9:8 | <p>Power Indicator Control <i>Reserved</i> for the upstream Port and NT Port. Controls the Power Indicator on the corresponding PEX 8624 Hot Plug-capable Transparent downstream Port slot. Reads return the corresponding PEX 8624 Hot Plug-capable Transparent downstream Port Power Indicator's current state. Writing a non-zero value triggers a Command Completed event (even if the value written is the same as the existing value). Writing 00b preserves the current value and does not trigger a Command Completed event. 00b = <i>Reserved</i> – Writes are ignored 01b = Turns On indicator to constant On state 10b = Causes indicator to blink 11b = Turns Off indicator</p> | ✓ | |
| | 10 | <p>Power Controller Control <i>Reserved</i> for the upstream Port and NT Port. Controls the Power Controller on the corresponding PEX 8624 Hot Plug-capable Transparent downstream Port slot. 0 = Turns On the Power Controller; requires some delay to be effective 1 = Turns Off the Power Controller</p> | ✓ | |
| | Slot Status (Only Downstream Ports; Upstream Port Always Reads 0) | | | |
| 17 | <p>Power Fault Detected <i>Reserved</i> for the upstream Port and NT Port. 1 = Power Controller of the corresponding PEX 8624 Hot Plug-capable Transparent downstream Port slot detected a Power Fault at the slot</p> | ✓ | | |

Table 11-3. Supported PCI Express PM Capabilities (Cont.)

| Register | | Description | Supported | |
|----------|--|---|-----------|----|
| Offset | Bit(s) | | Yes | No |
| 138h | Power Budget Extended Capability Header (Only Upstream Port, and also NT Port Link Interface; Reserved (RsvdP) for All Other Ports) | | | |
| | 15:0 | PCI Express Extended Capability ID Program to 0004h, as required by the <i>PCI Express Base r2.0</i> . | ✓ | |
| | 19:16 | Capability Version Program to 1h, as required by the <i>PCI Express Base r2.0</i> . | ✓ | |
| | 31:20 | Next Capability Offset Program to 148h, which addresses the Virtual Channel Extended Capability structure. | ✓ | |
| 13Ch | Data Select (Only Upstream Port, and also NT Port Link Interface; Reserved (RsvdP) for All Other Ports) | | | |
| | 7:0 | Data Select Indexes the Power Budget data reported, by way of eight upstream Port/NT Port Link Interface Power Budget Data registers, and selects the DWord of Power Budget data that appears in each Power Budget Data register. Index values start at 0, to select the first DWord of Power Budget data; subsequent DWords of Power Budget data are selected by increasing index values 1 to 7. | ✓ | |

Table 11-3. Supported PCI Express PM Capabilities (Cont.)

| Register | | Description | Supported | |
|--|--|---|-----------|----|
| Offset | Bit(s) | | Yes | No |
| 140h | Power Budget Data (Only Upstream Port, and also NT Port Link Interface; Reserved (RsvdP) for All Other Ports) | | | |
| | 7:0 | Base Power Eight registers per upstream Port/NT Port Link Interface. Specifies (in Watts) the base power value in the operating condition. This value must be multiplied by the field [9:8] (<i>Data Scale</i>) contents, to produce the actual power consumption value. | ✓ | |
| | 9:8 | Data Scale Specifies the scale to apply to the Base Power value. The device power consumption is determined by multiplying the field [7:0] (<i>Base Power</i>) contents with the value corresponding to the encoding returned by this field. 00b = 1.0x 01b = 0.1x 10b = 0.01x 11b = 0.001x | ✓ | |
| | 12:10 | PM Sub-State 000b = Power Management sub-state of the operating condition being described | ✓ | |
| | 14:13 | PM State Power Management state of the operating condition being described. 00b = D0 Device PM state 11b = D3 Device PM state All other encodings are <i>reserved</i> . | ✓ | |
| | 17:15 | Type Type of operating condition being described. 000b = PME Auxiliary 001b = Auxiliary 010b = Idle 011b = Sustained 111b = Maximum All other encodings are <i>reserved</i> . | ✓ | |
| | 20:18 | Power Rail Power Rail of the operating condition being described. 000b = Power 12V 001b = Power 3.3V 010b = Power 1.8V 111b = Thermal All other encodings are <i>reserved</i> . | ✓ | |
| Note: Eight registers, per upstream Port/NT Port Link Interface, can be programmed through the serial EEPROM or I ² C. Each non-zero register value describes the power usage for a different operating condition. Each configuration is selected by writing to the <i>Data Select</i> register <i>Data Select</i> field (Upstream Port/NT Port Link Interface, offset 13Ch[7:0]). | | | | |

Table 11-3. Supported PCI Express PM Capabilities (Cont.)

| Register | | Description | Supported | |
|----------|---|---|-----------|----|
| Offset | Bit(s) | | Yes | No |
| 144h | Power Budget Capability (Only Upstream Port, and also NT Port Link Interface; Reserved (RsvdP) for All Other Ports) | | | |
| | 0 | System Allocated 1 = Power budget for the device is included within the system power budget | ✓ | |
| 1E0h | Power Management Hot Plug User Configuration (All Ports except NT Port Virtual Interface, and also NT Port Link Interface) | | | |
| | 0 | L0s Entry Idle Counter Traffic Idle time to meet, to enter the L0s Link PM state. 0 = Idle condition must last 1 μ s 1 = Idle condition must last 4 μ s | ✓ | |
| | 2 | HPC PME Turn-Off Enable Functionality associated with this bit is enabled only on the downstream Ports. 1 = PME Turn-Off Message is transmitted before the Port is turned Off on a downstream Port | ✓ | |
| | 4:3 | HPC T_{pepv} Functionality associated with this field is enabled only on the downstream Ports. Hot Plug Port time from Power Enable to Power Valid. Controls the delay from when an HP_PWREN _x output is asserted High, to when power is valid at a slot. (Refer to Section 10.7.1.2, "Slot Power-Up Sequencing When Power Controller Present Bit Is Set," for details.) 00b = Feature is disabled, and HP_PWR_GOOD _x input is used for Power Valid 01b = 128 ms 10b = 256 ms 11b = 512 ms | ✓ | |
| | 6 | HP_PWR_GOOD_x Active-Low Enable Functionality associated with this bit is enabled only on the downstream Ports. Controls the HP_PWR_GOOD _x input polarity. (Refer to Section 10.7.1.2, "Slot Power-Up Sequencing When Power Controller Present Bit Is Set," for details.) 0 = HP_PWR_GOOD _x is Active-High 1 = HP_PWR_GOOD _x is Active-Low | ✓ | |
| | 10 | L0s Entry Disable 0 = Enables entry into the L0s Link PM state on a Port when the L0s idle conditions are met 1 = Disables entry into the L0s Link PM state on a Port when the L0s idle conditions are met | ✓ | |

11.4 Power Management Tracking

Note: NT Port Link Interface entry and exit to ASPM and Conventional PCI PM-compatible power states do not depend upon the Transparent upstream nor downstream Port power states or traffic. They are solely dependent upon the NT Port Link Interface's traffic conditions.

Upstream Port logic tracks the Link status of each downstream and upstream Port Link, to derive the following conditions:

- Upstream Port enters the L0s Link PM state when all enabled downstream Receivers are in the L0s Link PM state or deeper, or in a Link Down state.
- Upstream Port enters the active L1 Link PM state, only when all downstream Ports are in the active L1 Link PM state or deeper, or the Link is down.
- When a downstream Port is in the active L1 Link PM state and an ASPM L1 Link PM state exit is occurring in the downstream Port, the upstream Port exits the L1 Link PM state.
- When the upstream Port is in the active L1 Link PM state and an active L1 Link PM state exit is occurring, due to Receiver Electrical Idle exit, the downstream Port exits the L1 Link PM state.
- When a PME_TO_Ack Message is received only on all active (not in Link Down) downstream Ports, a PME_TO_Ack Message is issued toward the upstream Port. The NT Port Virtual Interface is marked as being in the *DL_Down* state.
- When all downstream Ports are in the L2/L3 Ready Link PM or Link Down state, the upstream Port transmits PM_ENTER_L23 Data Link Layer Packets (DLLPs) toward the Root Complex.

11.5 Power Management Event Handler

PM_PME Messages are Posted Transaction Layer Packets (TLPs) that inform the PM software which agent within the PCI Express hierarchy has requested a PM-state change. PM_PME Messages are always routed toward the Root Complex.

PCI Express components are permitted to wake the system from any supported PM state, through the request of a PME.

When a PEX 8624 Transparent downstream Port is in the D3hot Device PM state, the following Hot Plug and/or PCI Express Hot Plug events cause the **PCI Power Management Status and Control** register *PME Status* bit (offset 44h[15]) to be Set:

- For Hot Plug-capable Ports
 - **Presence Detect Changed** (logical OR of PRSNT# (HP_PRSNT_x# or I/O Expander PRSNT# input), and SerDes Receiver Detect^a on Lane(s) associated with that Port)
 - **Attention Button Pressed**
 - **Power Fault Detected**
 - **MRL Sensor Changed**
 - **Command Completed**
- For non-Hot Plug-capable downstream Ports
 - **Presence Detect Changed** (SerDes Receiver Detect^a on Lane(s) associated with that Port)
 - **Data Link Layer State Changed**

This causes the downstream Port to generate a PM_PME Message, if the **PCI Power Management Status and Control** register *PME Enable* bit (offset 44h[8]) is Set.

*a. The SerDes Receiver Detect mechanism is comprised of the **Physical Layer Receiver Detect Status** register's Receiver Detected on Lane x bits (Port 0, 4, or 8, and also NT Port Virtual Interface if Port 0 is the NT Port, offset 200h[31:16]) or Hot Plug PRSNT# (from external I²C I/O Expander) input for the Port.*



Chapter 12 Transparent Port Registers

12.1 Introduction

This chapter defines the PEX 8624 Transparent Port registers. Each PEX 8624 Port has its own Configuration, Capability, Control, and Status register space. The register mapping is the same for each Port. (Refer to [Table 12-1](#).) This chapter also presents the PEX 8624 programmable registers and the order in which they appear in the register map. Register descriptions, when applicable, include details regarding their use and meaning in the upstream Port and downstream Ports. (Refer to [Table 12-4](#).) Other registers are defined in:

- [Chapter 14, “NT Port Virtual Interface Registers – NT Mode Only”](#)
- [Chapter 15, “NT Port Link Interface Registers – NT Mode Only”](#)

Note: For Chip- and Station-specific registers (those that exist only in Port 0), if Port 0 is the NT Port, then those registers exist only in the NT Port Virtual Interface.

All PEX 8624 registers can be accessed by Configuration or Memory Requests.

For further details regarding register names and descriptions, refer to the following specifications:

- *PCI r3.0*
- *PCI Power Mgmt. r1.2*
- *PCI-to-PCI Bridge r1.2*
- *PCI Express Base r2.0*
- *I²C Bus v2.1*

12.2 Type 1 Port Register Map

Table 12-1 defines the Transparent mode Type 1 Port register mapping.

Table 12-1. Type 1 Port Register Map

| | | | |
|---|---------------------------------------|--|------|
| 31 30 29 28 27 26 25 24 23 22 21 20 19 18 17 16 | 15 14 13 12 11 10 9 8 7 6 5 4 3 2 1 0 | | 00h |
| PCI-Compatible Type 1 Configuration Header Registers (Offsets 00h – 3Ch) | | Capability Pointer (40h) | ... |
| | | | 34h |
| | | | ... |
| | | | 3Ch |
| | | Next Capability Pointer (48h) | 40h |
| PCI Power Management Capability Registers (Offsets 40h – 44h) | | Capability ID (01h) | 44h |
| | | Next Capability Pointer (68h) | 48h |
| MSI Capability Registers (Offsets 48h – 64h) | | Capability ID (05h) | ... |
| | | | 64h |
| | | Next Capability Pointer (A4h) | 68h |
| PCI Express Capability Registers (Offsets 68h – A0h) | | Capability ID (10h) | ... |
| | | | A0h |
| | | Next Capability Pointer (00h) | A4h |
| Subsystem ID and Subsystem Vendor ID Capability Registers (Offsets A4h – FCh) | | SSID/SSVID Capability ID (0Dh) | ... |
| | | | FCh |
| Next Capability Offset (FB4h) | 1h | PCI Express Extended Capability ID (0003h) | 100h |
| Device Serial Number Extended Capability Registers (Offsets 100h – 134h) | | | ... |
| | | | 134h |
| Next Capability Offset (148h) | 1h | PCI Express Extended Capability ID (0004h) | 138h |
| Power Budget Extended Capability Registers (Offsets 138h – 144h) | | | ... |
| | | | 144h |
| Next Capability Offset (448h, 950h, or 520h) | 1h | PCI Express Extended Capability ID (0002h) | 148h |
| Virtual Channel Extended Capability Registers (Offsets 148h – 1BCh) | | | ... |
| | | | 1BCh |

Table 12-1. Type 1 Port Register Map (Cont.)

| 31 30 29 28 27 26 25 24 23 22 21 20 19 18 17 16 | | | | | | | | | | | | | | | | 15 14 13 12 11 10 9 8 7 6 5 4 3 2 1 0 | | | | | | | | | | | | | | | | |
|--|--|--|--|--|--|--|--|--|--|--|--|--|--|--|--|---------------------------------------|--|--|--|--|--|--|--|--|--|--|--|--|--|--|--|--------|
| Device-Specific Registers (Offsets 1C0h – 51Ch) | | | | | | | | | | | | | | | | | | | | | | | | | | | | | | | | 1C0h |
| ... | | | | | | | | | | | | | | | | | | | | | | | | | | | | | | | | ... |
| Next Capability Offset (950h or 520h) | | | | | | | | | | | | | | | | 1h | | | | | | | | PCI Express Extended Capability ID (000Bh) | | | | | | | | 448h |
| Device-Specific Registers (Offsets 1C0h – 51Ch) | | | | | | | | | | | | | | | | | | | | | | | | | | | | | | | | ... |
| ... | | | | | | | | | | | | | | | | | | | | | | | | | | | | | | | | 51Ch |
| Next Capability Offset (950h) | | | | | | | | | | | | | | | | 1h | | | | | | | | PCI Express Extended Capability ID (000Dh) | | | | | | | | 520h |
| ACS Extended Capability Registers (Offsets 520h – 528h) | | | | | | | | | | | | | | | | | | | | | | | | | | | | | | | | ... |
| ... | | | | | | | | | | | | | | | | | | | | | | | | | | | | | | | | 528h |
| <i>Factory Test Only/Reserved</i> | | | | | | | | | | | | | | | | | | | | | | | | | | | | | | | | 52Ch – |
| ... | | | | | | | | | | | | | | | | | | | | | | | | | | | | | | | | 548h |
| Device-Specific Registers (Offsets 54Ch – F8Ch) | | | | | | | | | | | | | | | | | | | | | | | | | | | | | | | | 54Ch |
| ... | | | | | | | | | | | | | | | | | | | | | | | | | | | | | | | | ... |
| Next Capability Offset 2 (000h) | | | | | | | | | | | | | | | | 1h | | | | | | | | PCI Express Extended Capability ID 2 (000Bh) | | | | | | | | 950h |
| Device-Specific Registers (Offsets 54Ch – F8Ch) | | | | | | | | | | | | | | | | | | | | | | | | | | | | | | | | ... |
| ... | | | | | | | | | | | | | | | | | | | | | | | | | | | | | | | | F8Ch |
| <i>Reserved</i> | | | | | | | | | | | | | | | | | | | | | | | | | | | | | | | | F90h – |
| ... | | | | | | | | | | | | | | | | | | | | | | | | | | | | | | | | FB0h |
| Next Capability Offset (138h or 148h) | | | | | | | | | | | | | | | | 1h | | | | | | | | PCI Express Extended Capability ID (0001h) | | | | | | | | FB4h |
| Advanced Error Reporting Extended Capability Registers (Offsets FB4h – FDCh) | | | | | | | | | | | | | | | | | | | | | | | | | | | | | | | | ... |
| ... | | | | | | | | | | | | | | | | | | | | | | | | | | | | | | | | FDCh |
| <i>Reserved</i> | | | | | | | | | | | | | | | | | | | | | | | | | | | | | | | | FE0h – |
| ... | | | | | | | | | | | | | | | | | | | | | | | | | | | | | | | | FFCh |

Table 12-2 lists registers that are generally individual registers that support all Ports (changing the register value in one Port changes the same register in all Ports), except for the NT Port Link Interface, which has its own registers (not duplicated in other Ports). Additional exceptions are also listed.

Table 12-2. Singular Registers Shared by Multiple Ports

| Register Offset | Register Name | Comment |
|-----------------|---|--|
| 00h | Vendor ID and Device ID | |
| 08h | PCI Class Code and Revision ID | NT Port Virtual Interface has its own register. |
| 34h | Capability Pointer | |
| A4h | Subsystem Capability | NT Port Virtual Interface has its own register. |
| A8h | Subsystem Vendor ID and Subsystem ID | |
| 100h | Device Serial Number Extended Capability Header | |
| 104h | Serial Number (Lower DW) | |
| 108h | Serial Number (Upper DW) | |
| 520h | ACS Extended Capability Header | |
| 950h | Vendor-Specific Extended Capability 2 | NT Port Virtual Interface has its own register. |
| 954h | Vendor-Specific Header 2 | |
| 958h | Hardwired Vendor ID and Hardwired Device ID | Shared by all Ports, including the NT Port Link Interface. |
| 95Ch | Hardwired Revision ID | Shared by all Ports, including the NT Port Link Interface. |

12.3 Port Register Configuration and Map

The PEX 8624 Port registers are configured similarly – not all the same. Port 0 of Station 0, Port 4 of Station 1, and Port 8 of Station 2 include more Device-Specific registers than the other Ports. Port 0 also contains registers that are used to set up and control the PEX 8624, as well as a serial EEPROM interface and I²C Slave interface logic and control. The Port registers contain setup and control information specific to the Station and its associated Port. [Table 12-3](#) defines the Port register configuration and map.

Notes: For Chip- and Station-specific registers (those that exist only in Port 0), if Port 0 is the NT Port, then those registers exist only in the NT Port Virtual Interface.

The six PEX 8624 Ports that connect to PCI Express Transmitters and Receivers are Ports 0, 1, 5, 6, 8, and 9, and each Port has its own set of registers. An additional set of Port 4 registers is visible to software, although the Port is not connected to external signals. The Port 4 registers include:

- Other Device-Specific registers.
- “Station” registers, that control all Ports in Station 1 (Ports 5 and 6), and are identical to the Port 0 registers that control all Ports in Station 0 (Ports 0 and 1) and Port 8 registers that control all Ports in Station 2 (Ports 8 and 9). The Station registers include Physical Layer registers, Device-Specific Error registers, and internal mapping (CAM) registers.

Table 12-3. Port Register Configuration and Map

| Register Types | Station 0, Port 0 | Station 1, Port 4 Station 2, Port 8 | Station 0, Port 1 Station 1, Ports 5 and 6 Station 2, Port 9 |
|---|------------------------------|--|--|
| PCI-Compatible Type 1 Configuration Header Registers (Offsets 00h – 3Ch) | 00h – 3Ch | 00h – 3Ch | 00h – 3Ch |
| PCI Power Management Capability Registers (Offsets 40h – 44h) | 40h – 44h | 40h – 44h | 40h – 44h |
| MSI Capability Registers (Offsets 48h – 64h) | 48h – 64h | 48h – 64h | 48h – 64h |
| PCI Express Capability Registers (Offsets 68h – A0h) | 68h – A0h | 68h – A0h | 68h – A0h |
| Subsystem ID and Subsystem Vendor ID Capability Registers (Offsets A4h – FCh) | A4h – FCh | A4h – FCh | A4h – FCh |
| Device Serial Number Extended Capability Registers (Offsets 100h – 134h) | 100h – 134h | 100h – 134h | 100h – 134h |
| Power Budget Extended Capability Registers (Offsets 138h – 144h) | Upstream Port, 138h – 144h | | |
| Virtual Channel Extended Capability Registers (Offsets 148h – 1BCh) | 148h – 1BCh | 148h – 1BCh | 148h – 1BCh |
| Port Arbitration Table Registers (Offsets 1A8h – 1BCh) | Upstream Port 0, 1A8h – 1BCh | | |
| Device-Specific Registers (Offsets 1C0h – 51Ch) | | | |
| Device-Specific Registers – Error Checking and Debug (Offsets 1C0h – 1FCh) | 1C0h – 1FCh | 1C0h, 1C4h, 1CCh – 1D0h, 1E0h – 1ECh, 1F8h, 1FCh | 1E0h – 1ECh, 1F8h, 1FCh |
| Device-Specific Registers – Physical Layer (Offsets 200h – 25Ch) | 200h – 25Ch | 200h – 25Ch | |
| Device-Specific Registers – Serial EEPROM (Offsets 260h – 26Ch) | 260h – 26Ch | | |

Table 12-3. Port Register Configuration and Map (Cont.)

| Register Types | Station 0, Port 0 | Station 1, Port 4 Station 2, Port 8 | Station 0, Port 1 Station 1, Ports 5 and 6 Station 2, Port 9 |
|---|-------------------|--|--|
| Device-Specific Registers – Physical Layer (Offsets 270h – 28Ch) | 270h – 28Ch | | |
| Device-Specific Registers – I2C Slave Interface (Offsets 290h – 2C4h) | 290h – 2C4h | | |
| Device-Specific Registers – Bus Number CAM (Offsets 2C8h – 304h) | 2C8h – 304h | 2C8h – 304h | |
| Device-Specific Registers – I/O CAM (Offsets 308h – 344h) | 308h – 344h | 308h – 344h | |
| Device-Specific Registers – Address-Mapping CAM (Offsets 348h – 444h) | 348h – 444h | 348h – 444h | |
| Device-Specific Registers – Vendor-Specific Dual Cast Extended Capability (Offsets 448h – 51Ch) | 448h – 51Ch | | |
| ACS Extended Capability Registers (Offsets 520h – 528h) | 520h – 528h | 520h – 528h | 520h – 528h |
| Device-Specific Registers (Offsets 54Ch – F8Ch) | | | |
| Device-Specific Registers – Port Configuration (Offsets 574h – 628h) | 574h – 628h | | |
| Device-Specific Registers – General-Purpose Input/Output (Offsets 62Ch – 65Ch) | 62Ch – 65Ch | | |
| Device-Specific Registers – Ingress Control and Port Enable (Offsets 660h – 67Ch) | 660h – 67Ch | 660h – 67Ch | |
| Device-Specific Registers – IOCAM Base and Limit Upper 16 Bits (Offsets 680h – 6BCh) | 680h – 6BCh | 680h – 6BCh | |
| Device-Specific Registers – Base Address Shadow (Offsets 6C0h – 73Ch) | 6C0h – 73Ch | 6C0h – 73Ch | |
| Device-Specific Registers – Virtual Channel Resource Control Shadow (Offsets 740h – 83Ch) | 740h – 83Ch | 740h – 83Ch | |
| Device-Specific Registers – Ingress Credit Handler Port Pool (Offsets 940h – 94Ch) | 940h – 94Ch | 940h – 94Ch | |
| Device-Specific Registers – Vendor-Specific Extended Capability 2 (Offsets 950h – 95Ch) | 950h – 95Ch | 950h – 95Ch | 950h – 95Ch |
| Device-Specific Registers – ACS Extended Capability (Offsets 980h – 9FCh) | 980h – 9FCh | 980h – 9FCh | |
| Device-Specific Registers – Ingress Credit Handler Threshold (Offsets A00h – B7Ch) | A00h – B7Ch | A00h – B7Ch | |
| Device-Specific Registers – SerDes Support (Offsets B80h – BFCh) | B80h – BFCh | B80h – BFCh | |
| Device-Specific Registers – Port Configuration Header (Offsets E00h – E3Ch) | E00h – E3Ch | E00h – E3Ch | |
| Device-Specific Registers – Source Queue Weight and Soft Error (Offsets F00h – F30h) | F00h – F30h | F00h – F30h | F10h |

Table 12-3. Port Register Configuration and Map (Cont.)

| Register Types | Station 0, Port 0 | Station 1, Port 4 Station 2, Port 8 | Station 0, Port 1 Station 1, Ports 5 and 6 Station 2, Port 9 |
|---|---------------------------------|--|--|
| Device-Specific Registers – Read Pacing (Offsets F34h – F3Ch) | Upstream Port 0, F34h – F3Ch | | |
| Device-Specific Registers – Error Reporting (Offsets F40h – F4Ch) | F40h – F4Ch | F40h – F4Ch | |
| Device-Specific Registers – ARI Capability (Offsets F50h – F8Ch) | F50h – F8Ch | F50h – F8Ch | |
| Advanced Error Reporting Extended Capability Registers (Offsets FB4h – FDCh) | FB4h – FDCh | FB4h – FDCh | FB4h – FDCh |

12.4 Register Access

Each PEX 8624 Port implements a 4-KB Configuration Space. The lower 256 bytes (offsets 00h through FFh) comprise the PCI-compatible Configuration Space, and the upper 960 Dwords (offsets 100h through FFFh) comprise the PCI Express Extended Configuration Space. The PEX 8624 supports five mechanisms for accessing the Transparent Mode registers:

- [PCI r3.0-Compatible Configuration Mechanism](#)
- [PCI Express Enhanced Configuration Access Mechanism](#)
- [Device-Specific Memory-Mapped Configuration Mechanism](#)
- I²C Slave Interface (refer to [Chapter 7, “I²C Slave Interface Operation”](#))
- Serial Peripheral Interface (SPI) Bus (refer to [Chapter 6, “Serial EEPROM Controller”](#))

The sideband register mechanisms (serial EEPROM and/or I²C) can modify Read-Only (RO) register values.

Each Port captures the Bus Number and Device Number on every Type 0 Configuration Write, as required by the *PCI r3.0*. Therefore, following a Fundamental Reset, software must initially perform a Configuration Write to each Port (using either the [PCI r3.0-Compatible Configuration Mechanism](#) or [PCI Express Enhanced Configuration Access Mechanism](#)), to allow each Port to capture its designated Bus Number and Device Number. The initial access to each Port, *for example*, could be a Configuration Write Request to a RO register, such as the [Device ID / Vendor ID](#) register (offset 00h).

12.4.1 PCI r3.0-Compatible Configuration Mechanism

The *PCI r3.0*-Compatible Configuration mechanism provides standard access to the PEX 8624 Ports' first 256 bytes (the bytes at offsets 00h through FFh) of the PCI Express Configuration Space. The mechanism uses PCI Type 0 and Type 1 Configuration transactions to access the PEX 8624 Configuration registers. Each Port can convert a Type 1 Configuration Request (destined to a downstream Port or device) to a Type 0 Configuration Request (targeting the next downstream Port or device), as described below.

The PEX 8624 decodes all Type 1 Configuration accesses received on its upstream Port, when any of the following conditions exist:

- If the Bus Number in the Configuration access is not within the upstream Port's Secondary Bus Number and Subordinate Bus Number range, the PEX 8624 upstream Port responds with an Unsupported Request (UR).
- Specified Bus Number in the Configuration access is the PEX 8624 internal virtual PCI Bus Number, the PEX 8624 automatically converts the Type 1 Configuration access into the appropriate Type 0 Configuration access for the specified device.
 - If the specified device corresponds to the PCI-to-PCI bridge in one of the PEX 8624 downstream Ports, the PEX 8624 processes the Read or Write Request to the specified downstream Port register specified in the original Type 1 Configuration access.
 - If the specified Device Number does not correspond to any of the PEX 8624 downstream Port Device Numbers, the PEX 8624 responds with a UR.

- If the specified Bus Number in the Type 1 Configuration access is not the PEX 8624 internal virtual PCI Bus Number, but is the number of one of the PEX 8624 downstream Port secondary/subordinate buses, the PEX 8624 passes the Configuration access on to the PCI Express Link attached to that PEX 8624 downstream Port.
- If the specified Bus Number is the downstream Port Secondary Bus Number, and the specified Device Number is 0, the PEX 8624 converts the Type 1 Configuration access to a Type 0 Configuration access before passing it on.
 - If the specified Device Number is not 0, the downstream Port drops the Transaction Layer Packet (TLP) and generates a UR.
- If the specified Bus Number is not the downstream Port Secondary Bus Number, the PEX 8624 passes along the Type 1 Configuration access, without change.

Because the mechanism is limited to the first 256 bytes of the PCI Express Configuration Space of the PEX 8624 Ports, the [PCI Express Enhanced Configuration Access Mechanism](#) or [Device-Specific Memory-Mapped Configuration Mechanism](#) must be used to access beyond Byte FFh. The PCI Express Enhanced Configuration Access mechanism can access the registers in the PCI-compatible region, as well as those in the PCI Express Extended Configuration Space.

12.4.2 PCI Express Enhanced Configuration Access Mechanism

The PCI Express Enhanced Configuration Access mechanism is implemented on all PCI Express PCs and on systems that do not implement a processor-specific firmware interface to the Configuration Space. The mechanism provides a Memory-Mapped Address space in the Root Complex, through which the Root Complex translates a Memory access into one or more Configuration Requests. Device drivers normally use an application programming interface (API) provided by the Operating System (OS), to use this mechanism.

The PCI Express Enhanced Configuration Access mechanism can be used to access all PEX 8624 registers.

12.4.3 Device-Specific Memory-Mapped Configuration Mechanism

The Device-Specific Memory-Mapped Configuration mechanism provides a method to access the Configuration registers of all Ports in a single 128-KB Memory map, as listed in Table 12-4. The registers of each Port are contained within a 4-KB range. The PEX 8624 supports up to six simultaneously active Ports.

This mechanism follows the *PCI Express Base r2.0* Configuration Request Routing rules, which do not allow the propagation of Configuration Requests from downstream-to-upstream nor peer-to-peer. By default, if any PEX 8624 downstream Port receives a Memory Request from a downstream device targeting the PEX 8624 Configuration registers, the Port:

- Responds to a Memory Read Request with a UR
- By default:
 - Silently discards a Memory Write Request (in compliance with the *PCI Express Base r2.0*)
 - or–
 - If the Port's **ECC Error Check Disable** register *Software Force Non-Posted Request* bit (offset 1C8h[3]) is Set, the Port responds with a UR

In Memory Requests that target PEX 8624 registers, the Payload Length indicated within the Memory Request Header must be 1 DWord. Lengths greater than 1 DWord result in a Completer Abort error.

To use this mechanism, program the upstream Port Type 1 Configuration Space **Base Address 0** and **Base Address 1** registers (**BAR0** and **BAR1**, offsets 10h and 14h, respectively), which are typically enumerated at boot time by BIOS or the OS software. After the PEX 8624 upstream Port BARs are enumerated, Port 0 registers can be accessed with Memory Reads from and Writes to the first 4 KB (0000h to 0FFFh), Port 1 registers can be accessed with Memory Reads from and Writes to the second 4 KB (1000h to 1FFFh), and so forth. (Refer to Table 12-4.) Within each of these 4-KB windows, individual registers are located at the DWord offsets indicated in Table 12-1.

If upstream Port **BAR0** and **BAR1** are enumerated by serial EEPROM, rather than by BIOS/OS, the serial EEPROM must be programmed to also load the same values to the **BAR0** and **BAR1 Shadow** registers in each Station.

*Note: The Shadow registers provide another option. After **BAR0** and **BAR1** are programmed, it is possible to overwrite the “shadowed” location (using the serial EEPROM, I²C Slave interface, or software) to set up non-tree hierarchies, in which each Station can have different Memory windows. If doing this, it is recommended to match the upstream Station Shadow register with the BARs.*

Table 12-4. Register Offsets from Upstream Port BAR0/1 Base Address

| Port Number | Internal Register 4-KB Memory Space Range | Location Range |
|---------------------|--|----------------|
| Port 0 | 0000h to 0FFFh | 0 to 4 KB |
| Port 1 | 1000h to 1FFFh | 4 to 8 KB |
| Port 4 ^a | 4000h to 4FFFh | 16 to 20 KB |
| Port 5 | 5000h to 5FFFh | 20 to 24 KB |
| Port 6 | 6000h to 6FFFh | 24 to 28 KB |
| Port 8 | 8000h to 8FFFh | 32 to 36 KB |
| Port 9 | 9000h to 9FFFh | 36 to 40 KB |

a. Port 4 is *Software Only*.

12.5 Register Descriptions

The remainder of this chapter details the PEX 8624 registers, including:

- Bit/field names
- Description of register functions for the PEX 8624 upstream Port and downstream Ports
- Type (*such as* RW or HwInit; refer to [Table 12-5](#) for Type descriptions)
- Whether the power-on/reset value can be modified, by way of the PEX 8624 serial EEPROM and/or I²C Initialization feature
- Default power-on/reset value

Table 12-5. Register Types, Grouped by User Accessibility

| Type | Description |
|--------|--|
| HwInit | Hardware-Initialized Refers to the PEX 8624 Hardware-Initialization mechanism or PEX 8624 Serial EEPROM or I ² C register Initialization features. RO after initialization and can only be reset with a Fundamental Reset. HwInit register bits are not modified by a Soft Reset. |
| RO | Read-Only Read-Only and cannot be altered by software. Permitted to be initialized by the PEX 8624 Hardware-Initialization mechanism or PEX 8624 serial EEPROM and/or I ² C register Initialization features. |
| ROS | Read-Only, Sticky Same as RO, except that bits are neither initialized nor modified by a Soft Reset. |
| RsvdP | Reserved and Preserved <i>Reserved</i> for future RW implementations. Registers are RO and must return 0 when read. Software must preserve value read for Writes to bits. |
| RsvdZ | Reserved and Zero <i>Reserved</i> for future RWIC implementations. Registers are RO and must return 0 when read. Software must use 0 for Writes to bits. |
| RW | Read-Write Read/Write and permitted to be Set or Cleared by software to the needed state. |
| RW1C | Write 1 to Clear Status (Transparent mode) Indicates status when read. A status bit Set by the system (to indicate status) is Cleared by writing 1 to that bit. Writing 0 has no effect. Read-Write, Clear Interrupt (NT mode, Doorbell interrupts) Indicates that a value of 1 Clears the interrupt. |
| RW1CS | Write 1 to Clear, Sticky Same as RW1C, except that bits are neither initialized nor modified by a Soft Reset. |
| RW1S | Read-Write, Set Interrupt (NT mode, Doorbell interrupts) Indicates that a value of 1 Sets the interrupt. |
| RWS | Read-Write, Sticky Same as RW, except that bits are Set or Cleared by software to the needed state. Bits are neither initialized nor modified by a Soft Reset. |
| RZ | Software Read Zero Software Read always returns 0; however, software is allowed to write this register. |

12.6 PCI-Compatible Type 1 Configuration Header Registers (Offsets 00h – 3Ch)

This section details the PCI-Compatible Type 1 Configuration Header registers. Table 12-6 defines the register map.

Table 12-6. PCI-Compatible Type 1 Configuration Header Register Map (All Ports)^a

| 31 30 29 28 27 26 25 24 23 22 21 20 19 18 17 16 | | | | 15 14 13 12 11 10 9 8 7 6 5 4 3 2 1 0 | | | | |
|---|-------------------------------|--|--|--|--|--------------------------|--|-----|
| Device ID | | | | Vendor ID | | | | 00h |
| PCI Status | | | | PCI Command | | | | 04h |
| PCI Class Code | | | | PCI Revision ID | | | | 08h |
| PCI BIST (<i>Not Supported</i>) | PCI Header Type | | | Master Latency Timer (<i>Not Supported</i>) | | Cache Line Size | | 0Ch |
| Base Address 0 | | | | | | | | 10h |
| Base Address 1 | | | | | | | | 14h |
| Secondary Latency Timer (<i>Not Supported</i>) | Subordinate Bus Number | | | Secondary Bus Number | | Primary Bus Number | | 18h |
| Secondary Status | <i>Not Supported/Reserved</i> | | | I/O Limit | | I/O Base | | 1Ch |
| Memory Limit | | | | Memory Base | | | | 20h |
| Prefetchable Memory Limit | | | | Prefetchable Memory Base | | | | 24h |
| Prefetchable Memory Upper Base Address | | | | | | | | 28h |
| Prefetchable Memory Upper Limit Address | | | | | | | | 2Ch |
| I/O Limit Upper 16 Bits | | | | I/O Base Upper 16 Bits | | | | 30h |
| <i>Reserved</i> | | | | | | Capability Pointer (40h) | | 34h |
| Expansion ROM Base Address (<i>Reserved</i>) | | | | | | | | 38h |
| <i>Not Supported/Reserved</i> | Bridge Control | | | PCI Interrupt Pin | | PCI Interrupt Line | | 3Ch |

- a. Some registers are available to all Ports; others are available only to Transparent Ports. Refer to the individual registers for details.

Register 12-1. 00h PCI Configuration ID (All Ports)

| Bit(s) | Description | Type | Serial EEPROM and I ² C | Default |
|--------|---|------|------------------------------------|---------|
| 15:0 | Vendor ID Identifies the device manufacturer. Defaults to the PCI-SIG-issued Vendor ID of PLX (10B5h), if not overwritten by serial EEPROM and/or I ² C. | RO | Yes | 10B5h |
| 31:16 | Device ID Identifies the particular device. Defaults to the PLX part number for the PEX 8624, if not overwritten by serial EEPROM and/or I ² C. | RO | Yes | 8624h |

Register 12-2. 04h PCI Command/Status (All Ports)

| Bit(s) | Description | Type | Serial EEPROM and I ² C | Default |
|--------------------|--|-------|------------------------------------|---------|
| PCI Command | | | | |
| 0 | I/O Access Enable 0 = PEX 8624 ignores I/O Space accesses on the corresponding Port's primary interface 1 = PEX 8624 responds to I/O Space accesses on the corresponding Port's primary interface | RW | Yes | 0 |
| 1 | Memory Access Enable 0 = PEX 8624 ignores Memory Space accesses on the corresponding Port's primary interface 1 = PEX 8624 responds to Memory Space accesses on the corresponding Port's primary interface | RW | Yes | 0 |
| 2 | Bus Master Enable Controls PEX 8624 Memory and I/O Request forwarding upstream. Neither affect Message (including INT _x Interrupt Messages) forwarding nor Completions traveling upstream or downstream. 0 = PEX 8624 handles Memory and I/O Requests received on the corresponding Port downstream/secondary interface as Unsupported Requests (URs); for Non-Posted Requests, the PEX 8624 returns a Completion with UR Completion status. Because MSI Messages are in-band Memory Writes, disables MSI Messages as well. 1 = PEX 8624 forwards Memory and I/O Requests upstream. | RW | Yes | 0 |
| 3 | Special Cycle Enable <i>Not supported</i> Cleared, as required by the <i>PCI Express Base r2.0</i> . | RsvdP | No | 0 |
| 4 | Memory Write and Invalidate Enable <i>Not supported</i> Cleared, as required by the <i>PCI Express Base r2.0</i> . | RsvdP | No | 0 |
| 5 | VGA Palette Snoop <i>Not supported</i> Cleared, as required by the <i>PCI Express Base r2.0</i> . | RsvdP | No | 0 |
| 6 | Parity Error Response Enable Controls bit 24 (<i>Master Data Parity Error Detected</i>). | RW | Yes | 0 |
| 7 | IDSEL Stepping/Wait Cycle Control <i>Not supported</i> Cleared, as required by the <i>PCI Express Base r2.0</i> . | RsvdP | No | 0 |

Register 12-2. 04h PCI Command/Status (All Ports) (Cont.)

| Bit(s) | Description | Type | Serial EEPROM and I ² C | Default |
|--------|---|-------|------------------------------------|---------|
| 8 | <p>SERR# Enable Controls bit 30 (<i>Signaled System Error</i>).</p> <p>1 = Enables reporting of Fatal and Non-Fatal errors detected by the device to the Root Complex, and, enables primary interface forwarding of ERR_FATAL and ERR_NONFATAL Messages from downstream Ports and devices when the Port's Bridge Control register <i>SERR# Enable</i> bit (offset 3Ch[17]) is Set</p> | RW | Yes | 0 |
| 9 | <p>Fast Back-to-Back Transactions Enable <i>Not supported</i> Cleared, as required by the <i>PCI Express Base r2.0</i>.</p> | RsvdP | No | 0 |
| 10 | <p>Interrupt Disable 0 = Corresponding PEX 8624 Port is enabled to generate INT_x Interrupt Messages and assert PEX_INTA# output 1 = Corresponding PEX 8624 Port is prevented from generating INT_x Interrupt Messages and asserting PEX_INTA# output</p> | RW | Yes | 0 |
| 15:11 | <i>Reserved</i> | RsvdP | No | 00h |

Register 12-2. 04h PCI Command/Status (All Ports) (Cont.)

| Bit(s) | Description | Type | Serial EEPROM and I ² C | Default |
|-------------------|---|-------|------------------------------------|---------|
| PCI Status | | | | |
| 18:16 | <i>Reserved</i> | RsvdP | No | 000b |
| 19 | Interrupt Status 0 = No INTx Interrupt Message is pending 1 = INTx Interrupt Message is pending internally to the corresponding PEX 8624 Port –or– PEX_INTA# (if enabled) is asserted | RO | No | 0 |
| 20 | Capability List Capability function is supported. Set, as required by the <i>PCI Express Base r2.0</i> . | RO | Yes | 1 |
| 21 | 66 MHz Capable Cleared, as required by the <i>PCI Express Base r2.0</i> . | RsvdP | No | 0 |
| 22 | <i>Reserved</i> | RsvdP | No | 0 |
| 23 | Fast Back-to-Back Transactions Capable <i>Not supported</i> Cleared, as required by the <i>PCI Express Base r2.0</i> . | RsvdP | No | 0 |
| 24 | Master Data Parity Error Detected If bit 6 (<i>Parity Error Response Enable</i>) is Set, the corresponding PEX 8624 Port Sets this bit when the Port: <ul style="list-style-type: none"> • Forwards the poisoned TLP Write Request from the secondary to the primary interface, –or– • Receives a Completion marked as poisoned on the primary interface If the <i>Parity Error Response Enable</i> bit is Cleared, the PEX 8624 never Sets this bit. This error is natively reported by the Uncorrectable Error Status register <i>Poisoned TLP Status</i> bit (offset FB8h[12]), which is mapped to this bit for Conventional PCI backward compatibility. | RW1C | Yes | 0 |
| 26:25 | DEVSEL# Timing <i>Not supported</i> Cleared, as required by the <i>PCI Express Base r2.0</i> . | RsvdP | No | 00b |
| 27 | Signaled Target Abort The upstream Port Sets this bit if one of the following conditions exist: <ul style="list-style-type: none"> • Upstream Port receives a Memory Request targeting a PEX 8624 register, and the Payload Length (indicated within the Memory Request Header) is greater than 1 DWord • Upstream Port receives a Memory Request targeting a PEX 8624 register address within a non-existent Port • Transparent downstream Port Sets this bit if it detects an Access Control Services (ACS) violation This error is reported by the Uncorrectable Error Status register <i>Completer Abort Status</i> bit (offset FB8h[15]), which is mapped to this bit for Conventional PCI backward compatibility. | RW1C | Yes | 0 |

Register 12-2. 04h PCI Command/Status (All Ports) (Cont.)

| Bit(s) | Description | Type | Serial EEPROM and I ² C | Default |
|--------|---|-------|------------------------------------|---------|
| 28 | Received Target Abort Cleared; never Set. | RsvdP | No | 0 |
| 29 | Received Master Abort Cleared; never Set. | RsvdP | No | 0 |
| 30 | Signaled System Error If bit 8 (<i>SERR# Enable</i>) is Set, the corresponding PEX 8624 Port Sets this bit when it transmits or forwards an ERR_FATAL or ERR_NONFATAL Message upstream. This error is natively reported by the Device Status register <i>Fatal Error Detected</i> and <i>Non-Fatal Error Detected</i> bits (offset 70h[18:17], respectively), which are mapped to this bit for Conventional PCI backward compatibility. | RW1C | Yes | 0 |
| 31 | Detected Parity Error 1 = Corresponding Port receives a Poisoned TLP on its primary side, regardless of the bit 6 (<i>Parity Error Response Enable</i>) state This error is natively reported by the Uncorrectable Error Status register <i>Poisoned TLP Status</i> bit (offset FB8h[12]), which is mapped to this bit for Conventional PCI backward compatibility. | RW1C | Yes | 0 |

Register 12-3. 08h PCI Class Code and Revision ID (All Ports)

| Bit(s) | Description | Type | Serial EEPROM and I ² C | Default |
|------------------------|---|------|------------------------------------|------------------|
| PCI Revision ID | | | | |
| 7:0 | Revision ID Unless overwritten by the serial EEPROM, returns the Silicon Revision (AAh, ABh, or BBh), the PLX-assigned Revision ID for this version of the PEX 8624. The PEX 8624 Serial EEPROM register Initialization capability is used to replace the PLX Revision ID with another Revision ID. | RO | Yes | AAh, ABh, or BBh |
| PCI Class Code | | | | 060400h |
| 15:8 | Register-Level Programming Interface The PEX 8624 Ports support the <i>PCI-to-PCI Bridge r1.2</i> requirements, but not subtractive decoding, on their upstream interface. | RO | Yes | 00h |
| 23:16 | Sub-Class Code PCI-to-PCI bridge. | RO | Yes | 04h |
| 31:24 | Base Class Code Bridge device. | RO | Yes | 06h |

Register 12-4. 0Ch Miscellaneous Control (All Ports)

| Bit(s) | Description | Type | Serial EEPROM and I ² C | Default |
|-----------------------------|---|-------|------------------------------------|---------|
| Cache Line Size | | | | |
| 7:0 | Cache Line Size System Cache Line Size. Implemented as a RW field for Conventional PCI compatibility purposes and does not impact PEX 8624 functionality. | RW | Yes | 00h |
| Master Latency Timer | | | | |
| 15:8 | Master Latency Timer <i>Not supported</i> Cleared, as required by the <i>PCI Express Base r2.0</i> . | RsvdP | No | 00h |
| PCI Header Type | | | | |
| 22:16 | Configuration Layout Type The corresponding PEX 8624 Port Configuration Space Header adheres to the Type 1 PCI-to-PCI Bridge Configuration Space layout defined by the <i>PCI-to-PCI Bridge r1.2</i> . | RO | No | 01h |
| 23 | Multi-Function Device 0 = Single-function device 1 = Indicates multiple (up to eight) functions (logical devices), each containing its own, individually addressable Configuration Space, 256 DWords in size | RO | No | 0 |
| PCI BIST | | | | |
| 31:24 | PCI BIST <i>Not supported</i> Built-In Self-Test (BIST) Pass or Fail. | RsvdP | No | 00h |

Register 12-5. 10h Base Address 0 (Only Upstream Port; Reserved (RsvdP) for Downstream Ports)

| Bit(s) | Description | Ports | Type | Serial EEPROM and I ² C | Default |
|--------|--|------------|-------|------------------------------------|---------|
| 0 | Memory Space Indicator 0 = Base Address register maps the PEX 8624 Configuration registers into Memory space <i>Note: The upstream Port is hardwired to 0.</i> | Upstream | RO | No | 0 |
| | <i>Reserved</i> | Downstream | RsvdP | No | 0 |
| 2:1 | Memory Map Type 00b = Base Address register is 32 bits wide and can be mapped anywhere in the 32-bit Memory space 10b = Base Address register is 64 bits wide and can be mapped anywhere in the 64-bit Address space All other encodings are <i>reserved</i> . | Upstream | RO | Yes | 00b |
| | <i>Reserved</i> | Downstream | RsvdP | No | 00b |
| 3 | Prefetchable 0 = Base Address register maps the PEX 8624 Configuration registers into Non-Prefetchable Memory space <i>Note: The upstream Port is hardwired to 0.</i> | Upstream | RO | Yes | 0 |
| | <i>Reserved</i> | Downstream | RsvdP | No | 0 |
| 16:4 | <i>Reserved</i> | | RsvdP | No | 0-0h |
| 31:17 | Base Address 0 Base Address (BAR0) for the Device-Specific Memory-Mapped Configuration mechanism. | Upstream | RW | Yes | 0-0h |
| | <i>Reserved</i> | Downstream | RsvdP | No | 0-0h |

Register 12-6. 14h Base Address 1 (Only Upstream Port; Reserved (RsvdP) for Downstream Ports)

| Bit(s) | Description | Ports | Type | Serial EEPROM and I ² C | Default |
|--------|--|------------|-------|------------------------------------|------------|
| 31:0 | Base Address 1 For 64-bit addressing, Base Address 1 (BAR1) extends Base Address 0 (BAR0) to provide the upper 32 Address bits when the Base Address 0 register <i>Memory Map Type</i> field (Upstream Port, offset 10h[2:1]) is programmed to 10b. | Upstream | RW | Yes | 0000_0000h |
| | RO when the Base Address 0 register is not enabled as a 64-bit BAR (<i>Memory Map Type</i> field (Upstream Port, offset 10h[2:1]) is not programmed to 10b). | | RO | Yes | 0000_0000h |
| | Reserved | Downstream | RsvdP | No | 0000_0000h |

Register 12-7. 18h Bus Number (All Ports)

| Bit(s) | Description | Type | Serial EEPROM and I ² C | Default |
|--------|--|-------|------------------------------------|---------|
| 7:0 | Primary Bus Number Primary Bus Number of this PCI-to-PCI bridge. Records the Bus Number of the PCI Bus segment to which the primary interface of this Port is connected. Set by Configuration software. | RW | Yes | 00h |
| 15:8 | Secondary Bus Number Secondary Bus Number of this PCI-to-PCI bridge. Records the Bus Number of the PCI Bus segment that is the secondary interface of this Port. Set by Configuration software. | RW | Yes | 00h |
| 23:16 | Subordinate Bus Number Subordinate Bus Number of this PCI-to-PCI bridge. Records the Bus Number of the highest numbered PCI Bus segment that is subordinate to this Port. Set by Configuration software. | RW | Yes | 00h |
| 31:24 | Secondary Latency Timer <i>Not supported</i> Cleared, as required by the <i>PCI Express Base r2.0</i> . | RsvdP | No | 00h |

Register 12-8. 1Ch Secondary Status, I/O Limit, and I/O Base (All Ports)

| Bit(s) | Description | Type | Serial EEPROM and I ² C | Default |
|--|--|------|------------------------------------|---------|
| <p>Note: If ISA Addressing mode is enabled (PCI Command register I/O Access Enable bit, offset 04h[0], is Set), the PEX 8624 Port forwards I/O transactions from its primary interface to its secondary interface (downstream) if an I/O address is within the range defined by the I/O Base and I/O Limit registers when the Base is less than or equal to the Limit.</p> <p>Conversely, the PEX 8624 Port forwards I/O transactions from its secondary interface to its primary interface (upstream) if an I/O address is outside this Address range. If the PEX 8624 Port does not implement an I/O Address range, the Port forwards all I/O transactions on its secondary interface upstream, to its primary interface.</p> | | | | |
| I/O Base | | | | |
| 3:0 | <p>I/O Base Addressing Capability</p> <p>1h = 32-bit I/O Address decoding is supported</p> <p>All other encodings are <i>reserved</i>.</p> | RO | Yes | 1h |
| 7:4 | <p>I/O_BAR[15:12]</p> <p>I/O Base Address[15:12]. The PEX 8624 Ports use their I/O Base and I/O Limit registers to determine the address range of I/O transactions to forward from one interface to the other.</p> <p>I/O Base Address[15:12] bits specify the corresponding PEX 8624 Port I/O Base Address[15:12]. The PEX 8624 assumes I/O Base Address[11:0]=000h.</p> <p>For 16-bit I/O addressing, the PEX 8624 assumes Address[31:16]=0000h.</p> <p>For 32-bit addressing, the PEX 8624 decodes Address[31:0], and uses the I/O Upper Base and Limit Address register I/O Base Upper 16 Bits and I/O Limit Upper 16 Bits fields (offset 30h[15:0 and 31:16], respectively).</p> | RW | Yes | Fh |
| I/O Limit | | | | |
| 11:8 | <p>I/O Limit Addressing Capability</p> <p>1h = 32-bit I/O Address decoding is supported</p> <p>All other encodings are <i>reserved</i>.</p> | RO | Yes | 1h |
| 15:12 | <p>I/O Limit[15:12]</p> <p>I/O Limit Address[15:12]. The PEX 8624 Ports use their I/O Base and I/O Limit registers to determine the Address range of I/O transactions to forward from one interface to the other.</p> <p>I/O Limit Address[15:12] bits specify the corresponding PEX 8624 Port I/O Limit Address[15:12]. The PEX 8624 assumes Address bits [11:0] of the I/O Limit Address are FFFh.</p> <p>For 16-bit I/O addressing, the PEX 8624 decodes Address bits [15:0] and assumes Address bits [31:16] of the I/O Limit Address are 0000h.</p> <p>For 32-bit addressing, the PEX 8624 decodes Address bits [31:0], and uses the I/O Upper Base and Limit Address register I/O Base Upper 16 Bits and I/O Limit Upper 16 Bits fields (offset 30h[15:0 and 31:16], respectively).</p> <p>If the I/O Limit Address is less than the I/O Base Address, the PEX 8624 does not forward I/O transactions from the corresponding Port primary/upstream bus to its secondary/downstream bus. However, the PEX 8624 forwards all I/O transactions from the secondary bus of the corresponding Port to its primary bus.</p> | RW | Yes | 0h |

Register 12-8. 1Ch Secondary Status, I/O Limit, and I/O Base (All Ports) (Cont.)

| Bit(s) | Description | Type | Serial EEPROM and I ² C | Default |
|-------------------------|---|-------|------------------------------------|---------|
| Secondary Status | | | | |
| 20:16 | <i>Reserved</i> | RsvdP | No | 0-0h |
| 21 | 66 MHz Capable <i>Not supported</i> 0 = Not enabled, because PCI Express does <i>not support</i> 66 MHz | RsvdP | No | 0 |
| 22 | <i>Reserved</i> | RsvdP | No | 0 |
| 23 | Fast Back-to-Back Transactions Capable <i>Reserved</i> Not enabled, because PCI Express does <i>not support</i> this function. | RsvdP | No | 0 |
| 24 | Master Data Parity Error If the Bridge Control register <i>Parity Error Response Enable</i> bit (offset 3Ch[16]) is Set, the corresponding PEX 8624 Port Sets this bit when transmitting or receiving a TLP on its downstream side, and when either of the following two conditions occur: <ul style="list-style-type: none"> Port receives Completion marked poisoned Port forwards poisoned TLP Write Request If the <i>Parity Error Response Enable</i> bit is Cleared, the PEX 8624 never Sets this bit. These errors are reported by the Port's Uncorrectable Error Status register <i>Poisoned TLP Status</i> bit (offset FB8h[12]), and mirrored to this bit for Conventional PCI backward compatibility. | RW1C | Yes | 0 |
| 26:25 | DEVSEL# Timing <i>Not supported</i> Cleared, as required by the <i>PCI Express Base r2.0</i> . | RsvdP | No | 00b |
| 27 | Signaled Target Abort Cleared, as required by the <i>PCI Express Base r2.0</i> . | RsvdP | No | 0 |
| 28 | Received Target Abort Cleared, as required by the <i>PCI Express Base r2.0</i> , because the PEX 8624 never initiates a Request itself. | RsvdP | No | 0 |
| 29 | Received Master Abort Cleared, as required by the <i>PCI Express Base r2.0</i> , because the PEX 8624 never initiates a Request itself. | RsvdP | No | 0 |
| 30 | Received System Error 1 = Downstream Port receives an ERR_FATAL or ERR_NONFATAL Message on its secondary interface from a downstream device | RW1C | Yes | 0 |
| 31 | Detected Parity Error Set by a downstream Port when receiving a poisoned TLP from a downstream device, regardless of the Bridge Control register <i>Parity Error Response Enable</i> bit (offset 3Ch[16]) state. | RW1C | Yes | 0 |

Register 12-9. 20h Memory Base and Limit (All Ports)

| Bit(s) | Description | Type | Serial EEPROM and I ² C | Default |
|--|--|-------|------------------------------------|---------|
| <p>Note: The PEX 8624 Port forwards Memory transactions from its primary interface to its secondary interface (downstream) if a Memory address is within the range defined by the Memory Base and Memory Limit registers (when the Base is less than or equal to the Limit).</p> <p>Conversely, the PEX 8624 Port forwards Memory transactions from its secondary interface to its primary interface (upstream) if a Memory address is outside this Address range (provided that the address is not within the range defined by the Prefetchable Memory Base (offsets 28h + 24h[15:0]) and Prefetchable Memory Limit (offsets 2Ch + 24h[31:16]) registers).</p> | | | | |
| Memory Base | | | | |
| 3:0 | <i>Reserved</i> | RsvdP | No | 0h |
| 15:4 | MEM_BAR[31:20] Memory Base Address[31:20]. Specifies the corresponding PEX 8624 Port Non-Prefetchable Memory Base Address[31:20]. The PEX 8624 assumes Memory Base Address[19:0]=0_0000h. | RW | Yes | FFFh |
| Memory Limit | | | | |
| 19:16 | <i>Reserved</i> | RsvdP | No | 0h |
| 31:20 | MEM_Limit[31:20] Memory Limit Address[31:20]. Specifies the corresponding PEX 8624 Port Non-Prefetchable Memory Limit Address[31:20]. The PEX 8624 assumes Memory Limit Address[19:0]=F_FFFFh. | RW | Yes | 000h |

Register 12-10. 24h Prefetchable Memory Base and Limit (All Ports)

| Bit(s) | Description | Type | Serial EEPROM and I ² C | Default |
|---|--|-------|------------------------------------|---------|
| <p>Note: The PEX 8624 Port forwards Memory transactions from its primary interface to its secondary interface (downstream) if a Memory address is within the range defined by the Prefetchable Memory Base (offsets 28h + 24h[15:0]) and Prefetchable Memory Limit (offsets 2Ch + 24h[31:16]) registers (when the Base is less than or equal to the Limit).</p> <p>Conversely, the PEX 8624 Port forwards Memory transactions from its secondary interface to its primary interface (upstream) if a Memory address is outside this Address range (provided that the address is not within the range defined by the Memory Base and Memory Limit registers (offset 20h)).</p> | | | | |
| Prefetchable Memory Base | | | | |
| 0 | <p>Prefetchable Memory Base Capability</p> <p>0 = Corresponding PEX 8624 Port supports 32-bit Prefetchable Memory Addressing</p> <p>1 = Corresponding PEX 8624 Port defaults to 64-bit Prefetchable Memory Addressing support, as required by the <i>PCI Express Base r2.0</i></p> <p>Note: If the application needs 32-bit only Prefetchable space, the serial EEPROM or I²C must Clear both this bit and bit 16 (Prefetchable Memory Limit Capability).</p> | RO | Yes | 1 |
| 3:1 | Reserved | RsvdP | No | 000b |
| 15:4 | <p>PMEM_BAR[31:20]</p> <p>Prefetchable Memory Base Address[31:20]. Specifies the corresponding PEX 8624 Port Prefetchable Memory Base Address[31:20].</p> <p>The PEX 8624 assumes Prefetchable Memory Base Address[19:0]=0_0000h.</p> | RW | Yes | FFFh |
| Prefetchable Memory Limit | | | | |
| 16 | <p>Prefetchable Memory Limit Capability</p> <p>0 = Corresponding PEX 8624 Port supports 32-bit Prefetchable Memory Addressing</p> <p>1 = Corresponding PEX 8624 Port defaults to 64-bit Prefetchable Memory Addressing support, as required by the <i>PCI Express Base r2.0</i></p> | RO | Yes | 1 |
| 19:17 | Reserved | RsvdP | No | 000b |
| 31:20 | <p>PMEM_Limit[31:20]</p> <p>Prefetchable Memory Limit Address[31:20]. Specifies the corresponding PEX 8624 Port Prefetchable Memory Limit Address[31:20].</p> <p>The PEX 8624 assumes Prefetchable Memory Limit Address[19:0]=F_FFFFh.</p> | RW | Yes | 000h |

Register 12-11. 28h Prefetchable Memory Upper Base Address (All Ports)

| Bit(s) | Description | Type | Serial EEPROM and I ² C | Default | |
|--------|--|-----------------|------------------------------------|---------|------------|
| 31:0 | PBUP[63:32] Prefetchable Memory Base Address[63:32]. The PEX 8624 uses this register for Prefetchable Memory Upper Base Address[63:32]. When the Prefetchable Memory Base register <i>Prefetchable Memory Base Capability</i> field indicates 32-bit addressing, this register is RO and returns 0000_0000h. | Offset 24h[0]=1 | RW | Yes | 0000_0000h |
| | | Offset 24h[0]=0 | RO | No | 0000_0000h |

Register 12-12. 2Ch Prefetchable Memory Upper Limit Address (All Ports)

| Bit(s) | Description | Type | Serial EEPROM and I ² C | Default | |
|--------|---|------------------|------------------------------------|---------|------------|
| 31:0 | PLIMUP[63:32] Prefetchable Memory Limit Address[63:32]. The PEX 8624 uses this register for Prefetchable Memory Upper Limit Address[63:32]. When the Prefetchable Memory Limit register <i>Prefetchable Memory Limit Capability</i> field indicates 32-bit addressing, this register is RO and returns 0000_0000h. <i>Note: The serial EEPROM must not write a non-zero value into this register when the RO attribute is Set for this register.</i> | Offset 24h[16]=1 | RW | Yes | 0000_0000h |
| | | Offset 24h[16]=0 | RO | No | 0000_0000h |

Register 12-13. 30h I/O Upper Base and Limit Address (All Ports)

| Bit(s) | Description | Type | Serial EEPROM and I ² C | Default | |
|--------|---|---------------------|------------------------------------|---------|-------|
| 15:0 | I/O Base Upper 16 Bits The PEX 8624 uses this register for I/O Base Address[31:16]. When the I/O Base register <i>I/O Base Addressing Capability</i> field indicates 16-bit addressing, this register is RO and returns 0000h. | Offset 1Ch[3:0]=1h | RW | Yes | 0000h |
| | | Offset 1Ch[3:0]=0h | RO | No | 0000h |
| 31:16 | I/O Limit Upper 16 Bits The PEX 8624 uses this register for I/O Limit Address[31:16]. When the I/O Limit register <i>I/O Limit Addressing Capability</i> field indicates 16-bit addressing, this register is RO and returns 0000h. <i>Note: The serial EEPROM must not write a non-zero value into this register when the RO attribute is Set for this register.</i> | Offset 1Ch[11:8]=1h | RW | Yes | 0000h |
| | | Offset 1Ch[11:8]=0h | RO | No | 0000h |

Register 12-14. 34h Capability Pointer (All Ports)

| Bit(s) | Description | Type | Serial EEPROM and I ² C | Default |
|--------|--|-------|------------------------------------|----------|
| 7:0 | Capability Pointer Default 40h points to the PCI Power Management Capability structure. | RO | Yes | 40h |
| 31:8 | <i>Reserved</i> | RsvdP | No | 0000_00h |

Register 12-15. 38h Expansion ROM Base Address (All Ports)

| Bit(s) | Description | Type | Serial EEPROM and I ² C | Default |
|--------|--|-------|------------------------------------|------------|
| 31:0 | Expansion ROM Base Address <i>Reserved</i> | RsvdP | No | 0000_0000h |

Register 12-16. 3Ch Bridge Control and PCI Interrupt Signal (All Ports)

| Bit(s) | Description | Type | Serial EEPROM and I ² C | Default |
|-----------------------------|--|------|------------------------------------|---------|
| PCI Interrupt Signal | | | | |
| 7:0 | PCI Interrupt Line Interrupt line routing value. The PEX 8624 does <i>not</i> use this register; however, the register is included for operating system and device driver use. | RW | Yes | 00h |
| 15:8 | PCI Interrupt Pin Identifies the Conventional PCI Interrupt Message(s) that the device (or device function) uses. Only value 00h or 01h is allowed in the PEX 8624. 00h = Indicates that the device does not use Conventional PCI Interrupt Message(s) 01h, 02h, 03h, and 04h = Maps to Conventional PCI Interrupt Messages for INTA#, INTB#, INTC#, and INTD#, respectively | RO | Yes | 01h |
| Bridge Control | | | | |
| 16 | Parity Error Response Enable Controls the response to Poisoned TLPs. 0 = Disables the Secondary Status register <i>Master Data Parity Error</i> bit (offset 1Ch[24]) 1 = Enables the Secondary Status register <i>Master Data Parity Error</i> bit (offset 1Ch[24]) | RW | Yes | 0 |
| 17 | SERR# Enable Controls forwarding of ERR_COR, ERR_FATAL, and ERR_NONFATAL from the secondary interface to the primary interface. When Set, and the PCI Command register <i>SERR# Enable</i> bit (offset 04h[8]) is also Set, enables the PCI Status register <i>Signaled System Error</i> bit (offset 04h[30]). | RW | Yes | 0 |
| 18 | ISA Enable Modifies the PEX 8624's response to ISA I/O addresses enabled by the I/O Base and I/O Limit registers (offset 1Ch[7:0 and 15:8], respectively) and located in the first 64 KB of the PCI I/O Address space (0000_0000h to 0000_FFFFh). The default state of this bit after reset is 0. 0 = If ISA Addressing mode is enabled (PCI Command register <i>I/O Access Enable</i> bit, offset 04h[0], is Set), the PEX 8624 Port forwards I/O Requests within the Address range defined by the I/O Base and I/O Limit registers. 1 = PEX 8624 blocks forwarding from the primary to secondary interface, of I/O transactions addressing the last 768 bytes in each 1-KB block of the Port's I/O Address range. In the opposite direction (secondary to primary), if I/O Addressing mode is enabled, the PEX 8624 Port forwards I/O transactions that address the last 768 bytes in each 1-KB block of the Port's I/O Address range. <i>Note: Refer also to the Ingress Control register <i>Disable VGA BIOS Memory Access Decoding</i> bit (Port 0, 4, or 8, and also NT Port Virtual Interface if Port 0 is the NT Port, offset 660h[28]).</i> | RW | Yes | 0 |

Register 12-16. 3Ch Bridge Control and PCI Interrupt Signal (All Ports) (Cont.)

| Bit(s) | Description | Type | Serial EEPROM and I ² C | Default |
|--------|---|------|------------------------------------|---------|
| 19 | <p>VGA Enable</p> <p>Modifies the bridge response to VGA-compatible addresses.</p> <p>When Set, the bridge positively decodes and forwards the following addresses on the primary interface to the secondary interface (and, conversely, blocks forwarding of these addresses from the secondary interface to the primary interface):</p> <ul style="list-style-type: none"> Memory addresses within the range 000A_0000h to 000B_FFFFh I/O addresses in the first 64 KB of the I/O Address space (AD[31:16] is 0000h), where AD[9:0] is within the ranges 3B0h to 3BBh and 3C0h to 3DFh (inclusive of ISA address aliases – AD[15:10] is not decoded) <p>Additionally, when Set, forwarding of these addresses is independent of the:</p> <ul style="list-style-type: none"> Memory and I/O Address ranges defined by the bridge I/O Base, I/O Limit, Memory Base, Memory Limit, Prefetchable Memory Base, and Prefetchable Memory Limit registers Bit 18 (<i>ISA Enable</i>) or PCI Command register <i>VGA Palette Snoop</i> bit (offset 04h[5]) Settings <p>VGA address forwarding is qualified by the PCI Command register <i>Memory Access Enable</i> and <i>I/O Access Enable</i> bits (offset 04h[1:0], respectively). The default state of this bit after reset must be 0.</p> <p>0 = Do not forward VGA-compatible Memory and I/O addresses from the primary to the secondary interface (addresses defined above) unless they are enabled for forwarding by the defined Memory and I/O Address ranges</p> <p>1 = Forward VGA-compatible Memory and I/O addresses (addresses defined above) from the primary interface to the secondary interface (when the <i>I/O Access Enable</i> and <i>Memory Access Enable</i> bits are Set), independent of the Memory and I/O Address ranges and independent of the <i>ISA Enable</i> bit</p> <p>Notes: <i>When Set in an egress Port, the Port is configured as a non-Cut-Thru path. (Refer to Section 2.1.3.2, “Cut-Thru Mode,” for further details.)</i></p> <p><i>Refer also to the Ingress Control register Disable VGA BIOS Memory Access Decoding bit (Port 0, 4, or 8, and also NT Port Virtual Interface if Port 0 is the NT Port, offset 660h[28]).</i></p> <p>Conventional PCI VGA support – <i>To avoid potential I/O address conflicts, if the VGA Enable bit is Set in the upstream Port and a downstream Port, Set the PCI Command register I/O Access Enable bit (offset 04h[0]) in the remaining downstream Ports, unless those downstream Ports are configured to use default 32-bit address decoding and their I/O Address range is programmed above 1_0000h.</i></p> | RW | Yes | 0 |

Register 12-16. 3Ch Bridge Control and PCI Interrupt Signal (All Ports) (Cont.)

| Bit(s) | Description | Type | Serial EEPROM and I ² C | Default |
|--------|--|-------|------------------------------------|---------|
| 20 | <p>VGA 16-Bit Decode Enable</p> <p>Used only when bit 19 (<i>VGA Enable</i>) or the PCI Command register <i>VGA Palette Snoop</i> bit (offset 04h[5]) is also Set, enabling VGA I/O decoding and forwarding by the bridge. Status after reset is 0.</p> <p>Enables system configuration software to select between 10- and 16-bit I/O address decoding, for VGA I/O register accesses forwarded from the primary interface to the secondary interface.</p> <p>0 = Execute 10-bit address decodes on VGA I/O accesses 1 = Execute 16-bit address decodes on VGA I/O accesses</p> <p><i>Note:</i> Refer also to the Ingress Control register <i>Disable VGA BIOS Memory Access Decoding</i> bit (Port 0, 4, or 8, and also <i>NT Port Virtual Interface if Port 0 is the NT Port, offset 660h[28]</i>).</p> | RW | Yes | 0 |
| 21 | <p>Master Abort Mode</p> <p><i>Not supported</i></p> <p>Cleared, as required by the <i>PCI Express Base r2.0</i>.</p> | RsvdP | No | 0 |
| 22 | <p>Secondary Bus Reset</p> <p>1 = Causes a Hot Reset on the corresponding PEX 8624 Port downstream Link</p> | RW | Yes | 0 |
| 23 | <p>Fast Back-to-Back Transactions Enable</p> <p><i>Not supported</i></p> <p>Cleared, as required by the <i>PCI Express Base r2.0</i>.</p> | RsvdP | No | 0 |
| 24 | <p>Primary Discard Timer</p> <p><i>Not supported</i></p> <p>Cleared, as required by the <i>PCI Express Base r2.0</i>.</p> | RsvdP | No | 0 |
| 25 | <p>Secondary Discard Timer</p> <p><i>Not supported</i></p> <p>Cleared, as required by the <i>PCI Express Base r2.0</i>.</p> | RsvdP | No | 0 |
| 26 | <p>Discard Timer Status</p> <p><i>Not supported</i></p> <p>Cleared, as required by the <i>PCI Express Base r2.0</i>.</p> | RsvdP | No | 0 |
| 27 | <p>Discard Timer SERR# Enable</p> <p><i>Not supported</i></p> <p>Cleared, as required by the <i>PCI Express Base r2.0</i>.</p> | RsvdP | No | 0 |
| 31:28 | Reserved | RsvdP | No | 0h |

12.7 PCI Power Management Capability Registers (Offsets 40h – 44h)

This section details the PCI Power Management Capability registers. [Table 12-7](#) defines the register map.

Table 12-7. PCI Power Management Capability Register Map (All Ports)

| | | | |
|---------------------------------|---|---|---------------------|
| 31 30 29 28 27 26 25 24 | 23 22 21 20 19 18 17 16 | 15 14 13 12 11 10 9 8 7 6 5 4 3 2 1 0 | 40h |
| PCI Power Management Capability | | Next Capability Pointer (48h) | Capability ID (01h) |
| PCI Power Management Data | PCI Power Management Control/Status Bridge Extensions (<i>Reserved</i>) | PCI Power Management Status and Control | |
| | | | 44h |

Register 12-17. 40h PCI Power Management Capability (All Ports)

| Bit(s) | Description | Type | Serial EEPROM and I ² C | Default |
|--------|---|-------|------------------------------------|---------|
| 7:0 | Capability ID Programmed to 01h, indicating that the Capability structure is the PCI Power Management Capability structure. | RO | Yes | 01h |
| 15:8 | Next Capability Pointer Default 48h points to the MSI Capability structure. | RO | Yes | 48h |
| 18:16 | Version Default 011b indicates compliance with the <i>PCI Power Mgmt. r1.2</i> . | RO | Yes | 011b |
| 19 | PME Clock Power Management Event (PME) clock. Does not apply to PCI Express. Returns 0. | RsvdP | No | 0 |
| 20 | <i>Reserved</i> | RsvdP | No | 0 |
| 21 | Device-Specific Initialization Default 0 indicates that Device-Specific Initialization is <i>not</i> required. | RO | Yes | 0 |
| 24:22 | AUX Current The PEX 8624 does <i>not support</i> PME generation from the D3cold Device Power Management (PM) state; therefore, the serial EEPROM value for this field should be 000b. | RO | Yes | 000b |
| 25 | D1 Support <i>Not supported</i> Default value of 0 indicates that the PEX 8624 does <i>not support</i> the D1 Device PM state. | RsvdP | No | 0 |
| 26 | D2 Support <i>Not supported</i> Default value of 0 indicates that the PEX 8624 does <i>not support</i> the D2 Device PM state. | RsvdP | No | 0 |
| 31:27 | PME Support Bits [31, 30, and 27] must be Set, to indicate that the PEX 8624 will forward PME Messages, as required by the <i>PCI Express Base r2.0</i> . | RO | Yes | 19h |

Register 12-18. 44h PCI Power Management Status and Control (All Ports)

| Bit(s) | Description | Type | Serial EEPROM and I ² C | Default |
|--|---|-------|------------------------------------|---------|
| PCI Power Management Status and Control | | | | |
| 1:0 | <p>Power State Used to determine the Port's current Device PM state, and to program the Port into a new Device PM state.</p> <p>00b = D0 01b = D1 – <i>Not supported</i> 10b = D2 – <i>Not supported</i> 11b = D3hot</p> <p>If software attempts to write an unsupported state to this field, the Write operation completes normally; however, the data is discarded and no state change occurs.</p> | RW | Yes | 00b |
| 2 | Reserved | RsvdP | No | 0 |
| 3 | <p>No Soft Reset 1 = Devices transitioning from the D3hot to D0 Device PM state, because of Power State commands, do not perform an internal reset</p> | RO | Yes | 1 |
| 7:4 | Reserved | RsvdP | No | 0h |
| 8 | <p>PME Enable 0 = Disables PME generation by the corresponding PEX 8624 Port^a 1 = Enables PME generation by the corresponding PEX 8624 Port</p> | RWS | No | 0 |
| 12:9 | <p>Data Select Initially writable by serial EEPROM and/or I²C only^b. This Configuration Space register (CSR) access privilege changes to RW after a Serial EEPROM or I²C Write occurs to this register. Selects the Data and Data Scale registers (fields [31:24 and 14:13], respectively).</p> <p>0h = D0 power consumed 3h = D3hot power consumed 4h = D0 power dissipated 7h = D3hot power dissipated</p> <p>All other encodings are <i>reserved</i>.</p> | RO | Yes | 0h |
| 14:13 | <p>Data Scale Writable by serial EEPROM and/or I²C only^b. Indicates the scaling factor to be used when interpreting the Data register value. The value and meaning of this field varies, depending upon which data value is selected by field [12:9] (<i>Data Select</i>). There are four internal Data Scale registers (one each, per <i>Data Select</i> values 0h, 3h, 4h, and 7h), per Port. For other <i>Data Select</i> values, the Data Scale value returned is 0h.</p> | RO | Yes | 00b |
| 15 | <p>PME Status 0 = PME is not generated by the corresponding PEX 8624 Port^a 1 = PME is being generated by the corresponding PEX 8624 Port</p> | RWICS | No | 0 |

Register 12-18. 44h PCI Power Management Status and Control (All Ports) (Cont.)

| Bit(s) | Description | Type | Serial EEPROM and I ² C | Default |
|--|--|-------|------------------------------------|---------|
| PCI Power Management Control/Status Bridge Extensions | | | | |
| 21:16 | <i>Reserved</i> | RsvdP | No | 0-0h |
| 22 | B2/B3 Support <i>Reserved</i> Cleared, as required by the <i>PCI Power Mgmt. r1.2</i> . | RsvdP | No | 0 |
| 23 | Bus Power/Clock Control Enable <i>Reserved</i> Cleared, as required by the <i>PCI Power Mgmt. r1.2</i> . | RsvdP | No | 0 |
| PCI Power Management Data | | | | |
| 31:24 | Data Writable by serial EEPROM and/or I ² C only ^b . There are four supported <i>Data Select</i> values (0h, 3h, 4h, and 7h), per Port. For other <i>Data Select</i> values, the Data Scale value returned is 0h. Selected by field [12:9] (<i>Data Select</i>). | RO | Yes | 00h |

- a. Because the PEX 8624 does not consume auxiliary power, this bit is not sticky, and is always Cleared at power-on reset.
- b. With no serial EEPROM nor previous I²C programming, Reads return 00h for the **Data** and **Data Scale** registers (for all *Data Selects*).

12.8 MSI Capability Registers (Offsets 48h – 64h)

This section details the Message Signaled Interrupt (MSI) Capability registers. [Table 12-8](#) defines the register map.

Table 12-8. MSI Capability Register Map (All Ports)^a

| 31 30 29 28 27 26 25 24 23 22 21 20 19 18 17 16 | 15 14 13 12 11 10 9 8 7 6 5 4 3 2 1 0 | |
|---|---------------------------------------|--------------------------------|
| MSI Control | Next Capability Pointer (68h) | Capability ID (05h) 48h |
| MSI Address | | 4Ch |
| MSI Upper Address | | 50h |
| Reserved | MSI Data | 54h |
| MSI Mask | | 58h |
| MSI Status | | 5Ch |
| Reserved | | 60h – 64h |

- a. Offsets 54h, 58h, and 5Ch change to 50h, 54h, and 58h, respectively, when the **MSI Control** register **MSI 64-Bit Address Capable** bit (offset 48h[23]) is Cleared.

Register 12-19. 48h MSI Capability (All Ports)

| Bit(s) | Description | Type | Serial EEPROM and I ² C | Default |
|------------------------------|---|-------|------------------------------------|---------|
| MSI Capability Header | | | | |
| 7:0 | Capability ID Programmed to 05h, as required by the <i>PCI r3.0</i> . | RO | Yes | 05h |
| 15:8 | Next Capability Pointer Programmed to 68h, to point to the PCI Express Capability structure. | RO | Yes | 68h |
| MSI Control | | | | |
| 16 | MSI Enable 0 = MSIs for the corresponding Port are disabled 1 = MSIs for the corresponding Port are enabled, and INT _x Interrupt Messages and PEX_INTA# output assertion are disabled | RW | Yes | 0 |
| 19:17 | Multiple Message Capable 000b = PEX 8624 Port can request only one Vector 001b = PEX 8624 Port can request two Vectors 010b = PEX 8624 Port can request four Vectors 010b through 111b = PEX 8624 Port can request four Vectors | RO | Yes | 010b |
| 22:20 | Multiple Message Enable 000b = PEX 8624 Port is allocated one Vector, by default 001b = PEX 8624 Port is allocated two Vectors 010b through 111b = PEX 8624 Port is allocated four Vectors <i>Note: This field should not be programmed with a value larger than that of field [19:17] (Multiple Message Capable). If the value of this field is larger than that of field [19:17], the Multiple Message Capable value takes effect.</i> | RW | Yes | 000b |
| 23 | MSI 64-Bit Address Capable 0 = PEX 8624 is capable of generating MSI 32-bit addresses (MSI Address register, offset 4Ch, is the Message address) 1 = PEX 8624 is capable of generating MSI 64-bit addresses (MSI Address register, offset 4Ch, is the lower 32 bits of the Message address, and MSI Upper Address register, offset 50h, is the upper 32 bits of the Message address) | RO | Yes | 1 |
| 24 | Per Vector Masking Capable 0 = PEX 8624 does not have Per Vector Masking capability 1 = PEX 8624 has Per Vector Masking capability | RO | Yes | 1 |
| 31:25 | Reserved | RsvdP | No | 0-0h |

Register 12-20. 4Ch MSI Address (All Ports)

| Bit(s) | Description | Type | Serial EEPROM and I ² C | Default |
|--------|--|-------|------------------------------------|---------|
| 1:0 | <i>Reserved</i> | RsvdP | No | 00b |
| 31:2 | Message Address <i>Note: Refer to register offset 50h for MSI Upper Address, if offset 48h[23] is Set (default).</i> | RW | Yes | 0-0h |

Register 12-21. 50h MSI Upper Address (All Ports)

| Bit(s) | Description | Type | Serial EEPROM and I ² C | Default |
|--------|--|------|------------------------------------|------------|
| 31:0 | Message Upper Address This register is valid/used only when the MSI Control register MSI 64-Bit Address Capable bit (offset 48h[23]) is Set. MSI Write transaction upper address[63:32]. <i>Note: Refer to register offset 4Ch for MSI Address.</i> | RW | Yes | 0000_0000h |

Register 12-22. 54h MSI Data (All Ports)

| Bit(s) | Description | Type | Serial EEPROM and I ² C | Default |
|---|---|-------|------------------------------------|---------|
| <i>Note: The offset for this register changes from 54h, to 50h, when the MSI Control register MSI 64-Bit Address Capable bit (offset 48h[23]) is Cleared.</i> | | | | |
| 15:0 | Message Data MSI Write transaction TLP payload. | RW | Yes | 0000h |
| 31:16 | <i>Reserved</i> | RsvdP | No | 0000h |

Register 12-23. 58h MSI Mask (All Ports)

| Bit(s) | Description | Ports | Type | Serial EEPROM and I ² C | Default | |
|--|--|-------------------------|--|------------------------------------|---------|---|
| <p>The interrupt sources in a PEX 8624 Port are grouped into four main categories – Power Management/Hot Plug or Link State events, Device-Specific errors and events, and GPIO-generated interrupts, and NT-Virtual Doorbell-generated interrupts.</p> <p>The number of allocated MSI Vectors is determined by the MSI Control register <i>Multiple Message Capable</i> and <i>Multiple Message Enable</i> fields (offset 48h[19:17 and 22:20], respectively). When the number of MSI Vectors that can be requested is:</p> <ul style="list-style-type: none"> • Four – Device-Specific errors and events, Power Management/Hot Plug or Link State events, and GPIO events each generate their own MSI Vector. • Two – Device-Specific errors and events generate their own MSI Vector, while all other categories are combined and generate the same Vector. • One – All interrupt categories generate the same MSI Vector. <p>NT-Virtual Doorbell interrupts are generated only on the NT Port. The Type is the same, regardless of whether it is for a Transparent or NT Port.</p> <p><i>Note:</i> The offset for this register changes from 58h, to 54h, when the MSI Control register <i>MSI 64-Bit Address Capable</i> bit (offset 48h[23]) is Cleared.</p> <p>The bits in this register can be used to mask their respective MSI Status register bits (offset 5Ch).</p> | | | | | | |
| 0 | MSI Mask for Hot Plug or Link State Events MSI mask for Power Management event- or Hot Plug or Link State event-generated interrupts. | Offset 48h[22:20] ≥010b | All Ports | RW | Yes | 0 |
| | MSI Mask for Shared Interrupt Sources MSI mask for all interrupt sources when the MSI Control register <i>Multiple Message Enable</i> field indicates that the Host has allocated one or two Vectors. | Offset 48h[22:20] ≤001b | All Ports | RW | Yes | 0 |
| 1 | MSI Mask for Device-Specific Errors and Events MSI mask for Device-Specific error- and event-generated interrupts. <i>Note:</i> For further details, refer to Section 9.1.1, “Interrupt Sources or Events.” | | | | | |
| | Enables MSIs for the RAM ECC errors defined in the Device-Specific Error Status for Egress ECC Error, Device-Specific Error Mask for Egress ECC Error, Error Handler 32-Bit Error Status, and Error Handler 32-Bit Error Mask registers (Port 0, 4, or 8, and also NT Port Virtual Interface if Port 0 is the NT Port, unless noted otherwise, offsets 1C0h, 1C4h, 1CCh, and 1D0h, respectively). | Offset 48h[22:20] ≥001b | Port 0, 4, or 8, and also NT Port Virtual Interface if Port 0 is the NT Port, unless noted otherwise | RW | Yes | 0 |
| | Also enables MSIs for the NT-Link Port events defined in the Link Error Status Virtual and Link Error Mask Virtual registers (NT Port Virtual Interface, offsets FE0h and FE4h, respectively). | Offset 48h[22:20] ≥001b | Port 0, NT Port Virtual Interface | RW | Yes | 0 |
| | Reserved | Offset 48h[22:20] =000b | – | RsvdP | No | 0 |

Register 12-23. 58h MSI Mask (All Ports) (Cont.)

| Bit(s) | Description | | Ports | Type | Serial EEPROM and I ² C | Default |
|--------|--|-------------------------|--|-------|------------------------------------|-----------|
| 2 | MSI Mask for GPIO-Generated Interrupts | Offset 48h[22:20] ≥010b | Port 0 | RW | Yes | 0 |
| | <i>Reserved</i> | Offset 48h[22:20] ≤001b | – | RsvdP | No | 0 |
| 3 | MSI Mask for NT-Virtual Doorbell-Generated Interrupts <i>This bit is valid only in NT mode.</i> Refer to the NT Port registers located at offsets C4Ch through C58h . | Offset 48h[22:20] ≥010b | Port 0, NT Port Virtual Interface | RW | Yes | 0 |
| | <i>Reserved</i> | Offset 48h[22:20] ≤001b | – | RsvdP | No | 0 |
| 31:4 | <i>Reserved</i> | | | RsvdP | No | 0000_000h |

Register 12-24. 5Ch MSI Status (All Ports)

| Bit(s) | Description | Ports | Type | Serial EEPROM and I ² C | Default | |
|--|--|-------------------------|-----------|------------------------------------|---------|---|
| <p>The interrupt sources in a PEX 8624 Port are grouped into four categories – Power Management/Hot Plug or Link State events, Device-Specific errors and events, GPIO-generated interrupts, and NT-Virtual Doorbell-generated interrupts.</p> <p>The number of allocated MSI Vectors is determined by the MSI Control register <i>Multiple Message Capable</i> and <i>Multiple Message Enable</i> fields (offset 48h[19:17 and 22:20], respectively). When the number of MSI Vectors that can be requested is:</p> <ul style="list-style-type: none"> • Four – Device-Specific errors and events, Power Management/Hot Plug or Link State events, and GPIO events each generate their own MSI Vector. • Two – Device-Specific errors and events generate their own MSI Vector, while all other categories are combined and generate the same Vector. • One – All interrupt categories generate the same MSI Vector. <p>NT-Virtual Doorbell interrupts are generated only on the NT Port. The Type is the same, regardless of whether it is for a Transparent or NT Port.</p> <p><i>Note:</i> The offset for this register changes from 5Ch, to 58h, when the MSI Control register <i>MSI 64-Bit Address Capable</i> bit (offset 48h[23]) is Cleared.</p> <p>The bits in this register can be masked by their respective MSI Mask register bits (offset 58h).</p> | | | | | | |
| 0 | MSI Pending Status for Hot Plug or Link State Events MSI pending status for Power Management event- or Hot Plug or Link State event-generated interrupts. | Offset 48h[22:20] ≥010b | All Ports | RO | No | 0 |
| | MSI Pending Status for Shared Interrupt Sources MSI pending status for all interrupt sources when the MSI Control register <i>Multiple Message Enable</i> field indicates that the Host has allocated one or two Vectors. | Offset 48h[22:20] ≤001b | All Ports | RO | No | 0 |

Register 12-24. 5Ch MSI Status (All Ports) (Cont.)

| Bit(s) | Description | Ports | Type | Serial EEPROM and I ² C | Default | |
|--------|--|-------------------------|--|------------------------------------|-----------|---|
| 1 | MSI Pending Status for Device-Specific Errors and Events MSI pending status for Device-Specific error- and event-generated interrupts. <i>Note: For further details, refer to Section 9.1.1, "Interrupt Sources or Events."</i> | | | | | |
| | Reports status of enabled MSIs for the RAM ECC errors defined in the Device-Specific Error Status for Egress ECC Error, Device-Specific Error Mask for Egress ECC Error, Error Handler 32-Bit Error Status, and Error Handler 32-Bit Error Mask registers (Port 0, 4, or 8, and also NT Port Virtual Interface if Port 0 is the NT Port, unless noted otherwise, offsets 1C0h, 1C4h, 1CCh, and 1D0h, respectively). | Offset 48h[22:20] ≥001b | Port 0, 4, or 8, and also NT Port Virtual Interface if Port 0 is the NT Port, unless noted otherwise | RO | No | 0 |
| | Also reports status of enabled MSIs for the NT-Link Port events defined in the Link Error Status Virtual and Link Error Mask Virtual registers (NT Port Virtual Interface, offsets FE0h and FE4h, respectively). | Offset 48h[22:20] ≥001b | Port 0, NT Port Virtual Interface | RO | No | 0 |
| | <i>Reserved</i> | Offset 48h[22:20] =000b | – | RsvdP | No | 0 |
| 2 | MSI Pending Status for GPIO-Generated Interrupts | Offset 48h[22:20] ≥010b | Port 0 | RO | No | 0 |
| | <i>Reserved</i> | Offset 48h[22:20] ≤001b | – | RsvdP | No | 0 |
| 3 | MSI Pending Status for NT-Virtual Doorbell-Generated Interrupts <i>This bit is valid only in NT mode.</i> Refer to the NT Port registers located at offsets C4Ch through C58h. | Offset 48h[22:20] ≥010b | Port 0, NT Port Virtual Interface | RO | No | 0 |
| | <i>Reserved</i> | Offset 48h[22:20] ≤001b | – | RsvdP | No | 0 |
| 31:4 | <i>Reserved</i> | | RsvdP | No | 0000_000h | |

12.9 PCI Express Capability Registers (Offsets 68h – A0h)

This section details the PCI Express Capability registers. Hot Plug Capability, Command, Status, and Events are included in these registers. Table 12-9 defines the register map.

Table 12-9. PCI Express Capability Register Map

| 31 30 29 28 27 26 25 24 23 22 21 20 19 18 17 16 | 15 14 13 12 11 10 9 8 7 6 5 4 3 2 1 0 | |
|--|---------------------------------------|-------------------------|
| PCI Express Capability | Next Capability Pointer (A4h) | Capability ID (10h) 68h |
| Device Capability | | 6Ch |
| Device Status | <i>Not Supported/Reserved</i> | Device Control 70h |
| Link Capability | | 74h |
| Link Status | Link Control 78h | |
| <i>Reserved</i> (Upstream) Slot Capability (Downstream) | | 7Ch |
| <i>Reserved</i> (Upstream) | | 80h |
| Slot Status (Downstream) | Slot Control (Downstream) | |
| <i>Reserved</i> | | 84h – 88h |
| Device Capability 2 | | 8Ch |
| Device Status 2 (<i>Reserved</i>) | Device Control 2 90h | |
| <i>Reserved</i> | | 94h |
| Link Status 2 | Link Control 2 98h | |
| <i>Reserved</i> | | 9Ch – A0h |

Register 12-25. 68h PCI Express Capability List and Capability (All Ports)

| Bit(s) | Description | Ports | Type | Serial EEPROM and I ² C | Default |
|------------------------------------|--|------------|-------|------------------------------------|---------|
| PCI Express Capability List | | | | | |
| 7:0 | Capability ID Programmed to 10h, as required by the <i>PCI Express Base r2.0</i> . | | RO | Yes | 10h |
| 15:8 | Next Capability Pointer Programmed to A4h, to point to the Subsystem Capability structure. | | RO | Yes | A4h |
| PCI Express Capability | | | | | |
| 19:16 | Capability Version The PEX 8624 Ports program this field to 2h, as required by the <i>PCI Express Base r2.0</i> . | | RO | Yes | 2h |
| 23:20 | Device/Port Type Set at reset, as required by the <i>PCI Express Base r2.0</i> . | Upstream | RO | Yes | 5h |
| | | Downstream | RO | Yes | 6h |
| 24 | Slot Implemented 0 = Disables or connects to the upstream Port 0 = Disables or connects to an integrated component 1 = Indicates that the downstream Port connects to a slot, as opposed to being connected to an integrated component or being disabled <i>Note: The PEX 8624 serial EEPROM register Initialization capability and/or I²C can be used to Clear this bit, indicating that the corresponding PEX 8624 downstream Port connects to an integrated component or is disabled.</i> | Upstream | RsvdP | No | 0 |
| | | Downstream | RO | Yes | 1 |
| 29:25 | Interrupt Message Number The serial EEPROM writes 00_000b, because the Base Message and MSI Messages are the same. | | RO | Yes | 00_000b |
| 31:30 | Reserved | | RsvdP | No | 00b |

Register 12-26. 6Ch Device Capability (All Ports)

| Bit(s) | Description | Ports | Type | Serial EEPROM and I ² C | Default |
|--------|---|------------|--------|------------------------------------|---------|
| 2:0 | <p>Maximum Payload Size Supported The Maximum Payload Size for each Port is 2,048 bytes.</p> <p>000b = PEX 8624 Port supports a 128-byte maximum payload 001b = PEX 8624 Port supports a 256-byte maximum payload 010b = PEX 8624 Port supports a 512-byte maximum payload 011b = PEX 8624 Port supports a 1,024-byte maximum payload 100b = PEX 8624 Port supports a 2,048-byte maximum payload No other encodings are supported.</p> | | HwInit | Yes | 100b |
| 4:3 | <p>Phantom Functions Supported <i>Not supported</i></p> | | RO | Yes | 00b |
| 5 | <p>Extended Tag Field Supported 0 = Maximum <i>Tag</i> field is 5 bits 1 = Maximum <i>Tag</i> field is 8 bits</p> | | RO | Yes | 0 |
| 8:6 | <p>Endpoint L0s Acceptable Latency <i>Not supported</i> Because the PEX 8624 is a switch and not an endpoint, the PEX 8624 does <i>not support</i> this feature. 000b = Disables the capability</p> | | RO | Yes | 000b |
| 11:9 | <p>Endpoint L1 Acceptable Latency <i>Not supported</i> Because the PEX 8624 is a switch and not an endpoint, the PEX 8624 does <i>not support</i> this feature. 000b = Disables the capability</p> | | RO | Yes | 000b |
| 14:12 | <i>Reserved</i> , as required by the <i>PCI Express Base r2.0</i> . | | RsvdP | No | 000b |
| 15 | Role-Based Error Reporting | | RO | Yes | 1 |
| 17:16 | <i>Reserved</i> | | RsvdP | No | 00b |
| 25:18 | <p>Captured Slot Power Limit Value For the PEX 8624 upstream Port, the upper limit on power supplied by the slot is determined by multiplying the value in this field by the value in field [27:26] (<i>Captured Slot Power Limit Scale</i>).</p> | Upstream | RO | Yes | 00h |
| | <i>Not valid</i> | Downstream | RsvdP | No | 00h |
| 27:26 | <p>Captured Slot Power Limit Scale For the PEX 8624 upstream Port, the upper limit on power supplied by the slot is determined by multiplying the value in this field by the value in field [25:18] (<i>Captured Slot Power Limit Value</i>).</p> <p>00b = 1.0 01b = 0.1 10b = 0.01 11b = 0.001</p> | Upstream | RO | Yes | 00b |
| | <i>Not valid</i> | Downstream | RsvdP | No | 00b |
| 31:28 | <i>Reserved</i> | | RsvdP | No | 0h |

Register 12-27. 70h Device Status and Control (All Ports)

| Bit(s) | Description | Type | Serial EEPROM and I ² C | Default |
|-----------------------|---|-------|------------------------------------|---------|
| Device Control | | | | |
| 0 | Correctable Error Reporting Enable 0 = Disables 1 = Enables the corresponding PEX 8624 Port to report Correctable errors | RW | Yes | 0 |
| 1 | Non-Fatal Error Reporting Enable 0 = Disables 1 = Enables the corresponding PEX 8624 Port to report Non-Fatal errors | RW | Yes | 0 |
| 2 | Fatal Error Reporting Enable 0 = Disables 1 = Enables the corresponding PEX 8624 Port to report Fatal errors | RW | Yes | 0 |
| 3 | Unsupported Request Reporting Enable 0 = Disables 1 = Enables the corresponding PEX 8624 Port to report UR errors | RW | Yes | 0 |
| 4 | Enable Relaxed Ordering <i>Not supported</i> | RsvdP | No | 0 |
| 7:5 | Maximum Payload Size Software can change this field to configure the PEX 8624 Ports to support other Payload Sizes; however, software cannot change this field to a value larger than that indicated by the Device Capability register <i>Maximum Payload Size Supported</i> field (offset 6Ch[2:0]). 000b = PEX 8624 Port supports a 128-byte maximum payload 001b = PEX 8624 Port supports a 256-byte maximum payload 010b = PEX 8624 Port supports a 512-byte maximum payload 011b = PEX 8624 Port supports a 1,024-byte maximum payload 100b = PEX 8624 Port supports a 2,048-byte maximum payload No other encodings are supported. | RW | Yes | 000b |
| 8 | Extended Tag Field Enable <i>Not supported</i> | RsvdP | No | 0 |
| 9 | Phantom Functions Enable <i>Not supported</i> | RsvdP | No | 0 |
| 10 | AUX Power PM Enable <i>Not supported</i> | RsvdP | No | 0 |
| 11 | Enable No Snoop <i>Not supported</i> | RsvdP | No | 0 |
| 14:12 | Max Read Request Size <i>Not supported</i> | RsvdP | No | 000b |
| 15 | Reserved Hardwired to 0, as required by the <i>PCI Express Base r2.0</i> . | RsvdP | No | 0 |

Register 12-27. 70h Device Status and Control (All Ports) (Cont.)

| Bit(s) | Description | Type | Serial EEPROM and I ² C | Default |
|----------------------|---|-------|------------------------------------|---------|
| Device Status | | | | |
| 16 | <p>Correctable Error Detected Set when the corresponding Port detects a Correctable error, regardless of the bit 0 (<i>Correctable Error Reporting Enable</i>) state.</p> <p>0 = Corresponding PEX 8624 Port did not detect a Correctable error 1 = Corresponding PEX 8624 Port detected a Correctable error</p> | RW1C | Yes | 0 |
| 17 | <p>Non-Fatal Error Detected Set when the corresponding Port detects a Non-Fatal error, regardless of the bit 1 (<i>Non-Fatal Error Reporting Enable</i>) state.</p> <p>0 = Corresponding PEX 8624 Port did not detect a Non-Fatal error 1 = Corresponding PEX 8624 Port detected a Non-Fatal error</p> | RW1C | Yes | 0 |
| 18 | <p>Fatal Error Detected Set when the corresponding Port detects a Fatal error, regardless of the bit 2 (<i>Fatal Error Reporting Enable</i>) state.</p> <p>0 = Corresponding PEX 8624 Port did not detect a Fatal error 1 = Corresponding PEX 8624 Port detected a Fatal error</p> | RW1C | Yes | 0 |
| 19 | <p>Unsupported Request Detected Set when the corresponding Port detects a UR, regardless of the bit 3 (<i>Unsupported Request Reporting Enable</i>) state.</p> <p>0 = Corresponding PEX 8624 Port did not detect a UR 1 = Corresponding PEX 8624 Port detected a UR</p> | RW1C | Yes | 0 |
| 20 | <p>AUX Power Detected <i>Not supported</i></p> | RsvdP | No | 0 |
| 21 | <p>Transactions Pending <i>Not supported</i> Cleared, as required by the <i>PCI Express Base r2.0</i>.</p> | RsvdP | No | 0 |
| 31:22 | Reserved | RsvdP | No | 0-0h |

Register 12-28. 74h Link Capability (All Ports)

| Bit(s) | Description | Ports | Type | Serial EEPROM and I ² C | Default |
|---|---|-------|------|------------------------------------|--|
| <i>Note: The Port configuration (including Link width) for each Station is provided in Table 12-10. Yellow-highlighted table cells indicate the default Hot Plug Port for each configuration.</i> | | | | | |
| 3:0 | Supported Link Speeds Indicates the Port's supported Link speed. 0001b = 2.5 GT/s Link speed is supported 0010b = 5.0 GT/s and 2.5 GT/s Link speeds are supported All other encodings are <i>reserved</i> . | | RO | Yes | 0010b (STRAP_RESERVED17#=H) 0001b (STRAP_RESERVED17#=L) |
| 9:4 | Maximum Link Width The PEX 8624 maximum Link width is x8 = 00_1000b. Actual maximum Link width is Set by the STRAP_STNx_PORTCFGx inputs. 00_0000b = <i>Reserved</i> 00_0001b = x1 00_0010b = x2 00_0100b = x4 00_1000b = x8 All other encodings are <i>not supported</i> . | | ROS | No | Set by STRAP_STNx_PORTCFGx input levels, or by serial EEPROM value for the Port Configuration register <i>Port Configuration for Station x</i> bits (Port 0, and also NT Port Virtual Interface if Port 0 is the NT Port, offset 574h[5:0]) |
| 11:10 | Active State Power Management (ASPM) Support Active State Link PM support. Indicates the level of ASPM supported by the Port. 01b = L0s Link PM state entry is supported 11b = L0s and L1 Link PM states are supported All other encodings are <i>reserved</i> . | | RO | Yes | 11b |

Register 12-28. 74h Link Capability (All Ports) (Cont.)

| Bit(s) | Description | Ports | Type | Serial EEPROM and I ² C | Default |
|--------|---|------------|-------|------------------------------------|--|
| 14:12 | <p>L0s Exit Latency</p> <p>Indicates the L0s Link PM state exit latency for the given PCI Express Link. Value depends upon the Physical Layer Command and Status register <i>N_FTS Value</i> field (Port 0, 4, or 8, and also NT Port Virtual Interface if Port 0 is the NT Port, offset 220h[15:8]) value and Link speed. Exit latency is calculated, as follows:</p> <ul style="list-style-type: none"> • 2.5 GHz – Multiply <i>N_FTS Value</i> x 4 (4 symbol times in 1 N_FTS) x 4 ns (1 symbol time at 2.5 GT/s) • 5.0 GHz – Multiply <i>N_FTS Value</i> x 4 (4 symbol times in 1 N_FTS) x 2 ns (1 symbol time at 5.0 GT/s) <p>100b = Corresponding PEX 8624 Port L0s Link PM state Exit Latency is 512 ns to less than 1 μs at 5.0 GT/s 101b = Corresponding PEX 8624 Port L0s Link PM state Exit Latency is 1 μs to less than 2 μs at 2.5 GT/s</p> <p>All other encodings are <i>reserved</i>.</p> | | RO | No | 100b (5.0 GT/s) 101b (2.5 GT/s) |
| 17:15 | <p>L1 Exit Latency</p> <p>Indicates the L1 Link PM state exit latency for the given PCI Express Link. Value depends upon the Link speed.</p> <p>001b = Corresponding PEX 8624 Port L1 Link PM state Exit Latency is 1 μs to less than 2 μs at 5.0 GT/s 010b = Corresponding PEX 8624 Port L1 Link PM state Exit Latency is 2 μs to less than 4 μs at 2.5 GT/s</p> <p>All other encodings are <i>reserved</i>.</p> | | RO | Yes | 001b (5.0 GT/s) 010b (2.5 GT/s) |
| 18 | Clock Power Management Capable | | RO | Yes | 0 |
| 19 | <p>Reserved</p> <p>Must be hardwired to 0, for the upstream Port and components that do not support this optional capability.</p> | Upstream | RsvdP | No | 0 |
| | <p>Surprise Down Error Reporting Capable</p> <p>Must be Set if the component supports the optional capability of detecting and reporting a Surprise Down error condition.</p> <p>If this bit is Cleared, the Uncorrectable Error Status register <i>Surprise Down Error Status</i> bit (offset FB8h[5]) is disabled.</p> <p>Note: <i>If this bit is Set and later Cleared at runtime (such as by I²C), it must be Cleared while the Link is up; otherwise, if the Link is down when this bit is Cleared, a subsequent Surprise Down error event is not masked.</i></p> | Downstream | RO | Yes | 1 |

Register 12-28. 74h Link Capability (All Ports) (Cont.)

| Bit(s) | Description | Ports | Type | Serial EEPROM and I ² C | Default |
|--------|--|------------|-------|------------------------------------|---|
| 20 | <i>Reserved</i> | Upstream | RsvdP | No | 0 |
| | Data Link Layer Link Active Reporting Capable Valid for downstream Ports only. | Downstream | RO | Yes | 1 |
| 21 | <i>Reserved</i> Hardwired to 0, as required by the <i>PCI Express Base r2.0</i> . | Upstream | RsvdP | No | 0 |
| | Link Bandwidth Notification Capability 1 = Indicates support for the Link Bandwidth Notification status and interrupt mechanisms | Downstream | RO | Yes | 1 |
| 23:22 | <i>Reserved</i> | | RsvdP | No | 00b |
| 31:24 | Port Number The Port Number is defined by input Strapping options. (Refer to Table 12-10 .) Station 0, STRAP_STN0_PORTCFG1 – Ports 0, 1 Station 1, STRAP_STN1_PORTCFG0 – Ports 5, 6 Station 2, STRAP_STN2_PORTCFG1 – Ports 8, 9 | | ROS | No | Set by STRAP_STN _x _PORTCFG _x input levels, or by serial EEPROM value for the Port Configuration register <i>Port Configuration for Station x</i> bits (Port 0, and also NT Port Virtual Interface if Port 0 is the NT Port, offset 574h[5:0]) |

Table 12-10. Port Configurations

| Port Configuration Strapping STRAP_STN0_PORTCFG1 , STRAP_RESERVED4 | Port Configuration Register Value Port 0, Offset 574h[23:20, 1:0] | Station 0 Link Width/Port | | |
|--|--|---------------------------|--------|--------|
| | | Port 0 | Port 1 | – |
| 0, 0 | 0h, 00b | x4 | x4 | |
| 1, 0 | 0h, 10b | x8 | | |
| Port Configuration Strapping STRAP_RESERVED7 , STRAP_STN1_PORTCFG0 | Port Configuration Register Value Port 0, Offset 574h[27:24, 3:2] | Station 1 Link Width/Port | | |
| | | Port 4 | Port 5 | Port 6 |
| 1, 0 | 0h, 10b | <i>Software Only</i> | x8 | |
| 1, 1 | 0h, 11b | <i>Software Only</i> | x4 | x4 |
| Port Configuration Strapping STRAP_STN2_PORTCFG1 , STRAP_RESERVED8 | Port Configuration Register Value Port 0, Offset 574h[31:28, 5:4] | Station 1 Link Width/Port | | |
| | | Port 8 | Port 9 | – |
| 0, 0 | 0h, 00b | x4 | x4 | |
| 1, 0 | 0h, 10b | x8 | | |

Register 12-29. 78h Link Status and Control (All Ports)

| Bit(s) | Description | Ports | Type | Serial EEPROM and I ² C | Default |
|---------------------|---|------------|-------|------------------------------------|---------|
| Link Control | | | | | |
| 1:0 | Active State Power Management (ASPM) 00b = Disable ^a 01b = Enables only L0s Link PM state Entry 10b = Enables only L1 Link PM state Entry 11b = Enables both L0s and L1 Link PM state Entries | | RW | Yes | 00b |
| 2 | Reserved | | RsvdP | No | 0 |
| 3 | Read Request Return Parameter Control Read Request Return Parameter “R” control. Read Completion Boundary (RCB). Cleared, as required by the <i>PCI Express Base r2.0</i> . | | RO | Yes | 0 |
| 4 | Not valid | Upstream | RsvdP | No | 0 |
| | Link Disable 1 = Places the Link on the corresponding PEX 8624 downstream Port to the Disabled Link Training state | Downstream | RW | Yes | 0 |
| 5 | Not valid Always read as 0. | Upstream | RsvdP | No | 0 |
| | Retrain Link For PEX 8624 Ports, always returns 0 when read; however, software is allowed to write this register. Writing 1 to this bit causes the corresponding PEX 8624 downstream Port to initiate retraining of its PCI Express Link. | Downstream | RZ | Yes | 0 |
| 6 | Common Clock Configuration 0 = Port and the device at the other end of the Port’s PCI Express Link use an asynchronous Reference Clock source 1 = Port and the device at the other end of the Port’s PCI Express Link use a common (synchronous) Reference Clock source (constant phase relationship) | | RW | Yes | 0 |
| 7 | Extended Sync 1 = Causes the Port to transmit: <ul style="list-style-type: none"> • 4,096 FTS Ordered-Sets in the L0s Link PM state, • Followed by a single SKIP Ordered-Set prior to entering the L0 Link PM state, • Finally, transmission of 1,024 TS1 Ordered-Sets in the <i>Recovery</i> state. | | RW | Yes | 0 |

Register 12-29. 78h Link Status and Control (All Ports) (Cont.)

| Bit(s) | Description | Ports | Type | Serial EEPROM and I ² C | Default |
|--------------------|---|------------|-------|------------------------------------|----------|
| 8 | Clock Power Management Enable <i>Reserved</i> Read and Writable only when the Link Capability register <i>Clock Power Management Capable</i> bit is Set. The PEX 8624 does <i>not support</i> removal of the Reference Clock in the L1 and L2/L3 Ready Link PM states. | | RsvdP | No | 0 |
| 9 | Hardware-Autonomous Width Disable <i>Reserved</i> | | RsvdP | No | 0 |
| 10 | <i>Reserved</i> | Upstream | RsvdP | No | 0 |
| | Link Bandwidth Management Interrupt Enable 0 = Disables interrupt generation 1 = Enables generation of an interrupt, to indicate that the Link Status register <i>Link Bandwidth Management Status</i> bit (offset 78h[30]) has been Set | Downstream | RW | Yes | 0 |
| 11 | <i>Reserved</i> | Upstream | RsvdP | No | 0 |
| | Link Autonomous Bandwidth Interrupt Enable 0 = Disables interrupt generation 1 = Enables generation of an interrupt, to indicate that the Link Status register <i>Link Autonomous Bandwidth Status</i> bit (offset 78h[31]) has been Set | Downstream | RW | Yes | 0 |
| 15:12 | <i>Reserved</i> | | RsvdP | No | 0h |
| Link Status | | | | | |
| 19:16 | Current Link Speed Indicates the negotiated Link speed of the Port's PCI Express Link. 0001b = 2.5 GT/s Link speed 0010b = 5.0 GT/s Link speed All other encodings are <i>reserved</i> . The value in this field is undefined when the Link is not up. | | RO | No | 0001b |
| 25:20 | Negotiated Link Width Dependent upon the physical Port configuration. Link width is determined by the negotiated value with the attached Lane/Port. 00_0000b = Link is down (default) 00_0001b = x1 or Port is in the <i>DL_Down</i> state 00_0010b = x2 00_0100b = x4 00_1000b = x8 All other encodings are <i>not supported</i> . | | RO | No | 00_0000b |
| 26 | <i>Reserved</i> | | RsvdP | No | 0 |
| 27 | <i>Reserved</i> | Upstream | RsvdP | No | 0 |
| | Link Training 1 = Indicates that the corresponding PEX 8624 downstream Port requested Link training, and the Link training is in-progress or about to start | Downstream | RO | No | 0 |

Register 12-29. 78h Link Status and Control (All Ports) (Cont.)

| Bit(s) | Description | Ports | Type | Serial EEPROM and I ² C | Default |
|--------|--|------------|--------|------------------------------------|---------|
| 28 | Slot Clock Configuration 0 = Indicates that the PEX 8624 uses an independent clock 1 = Indicates that the PEX 8624 uses the same physical Reference Clock that the platform provides on the connector | | HwInit | Yes | 0 |
| 29 | <i>Reserved</i> | Upstream | RsvdP | No | 0 |
| | Data Link Layer Link Active When Set, and the Link Capability register <i>Data Link Layer Link Active Reporting Capable</i> bit (offset 74h[20]) is also Set, indicates the following: <ul style="list-style-type: none"> Data Link Layer (DLL) is in the <i>DL_Active</i> state Link is operational Flow Control (FC) Initialization has successfully completed | Downstream | RO | Yes | 0 |
| 30 | <i>Reserved</i> | Upstream | RsvdP | No | 0 |
| | Link Bandwidth Management Status Set by hardware to indicate that either of the following has occurred, without the Port transitioning through <i>DL_Down</i> status: <ul style="list-style-type: none"> Link retraining has completed following a Write of 1 to the Link Control register <i>Retrain Link</i> bit (offset 78h[5]) Hardware has changed Link speed or width, to attempt to correct unreliable Link operation, either through a Link Training and Status State Machine (LTSSM) timeout or higher-level process | Downstream | RW1C | Yes | 0 |
| 31 | <i>Reserved</i> | Upstream | RsvdP | No | 0 |
| | Link Autonomous Bandwidth Status Set by hardware to indicate that hardware has autonomously changed Link speed or width, without the Port transitioning through <i>DL_Down</i> status, for reasons other than to attempt to correct unreliable Link operation. | Downstream | RW1C | Yes | 0 |

a. The Port Receiver must be capable of entering the L0s Link PM state, regardless of whether the state is disabled.

Register 12-30. 7Ch Slot Capability
(Only Downstream Ports; Upstream Port Always Reads 0)

| Bit(s) | Description | Ports | Type | Serial EEPROM and I ² C | Default |
|--|--|------------|-------|------------------------------------|---------|
| <p>Notes: For bits [6, 4:0], the default values are shown to be 1 for downstream Ports, which is true only if the Port is Parallel or Serial Hot Plug-capable; otherwise, the default value is 0. This also applies to bit 17 for Serial Hot Plug Ports. Serial Hot Plug-capable means that the PEX 8624 has detected that an I/O Expander is present.</p> <p>Stations 0, 1, and 2 each support one Parallel Hot Plug Controller, which uses the set of on-chip Hot Plug I/O signals designated with suffixes A, B, and C, respectively. The Transparent downstream Port to which the Hot Plug signals are assigned is designated in the HP Parallel Port field (Port 0, 4, or 8, offset 1E0h[14:13]). All other Transparent downstream Ports support a Serial Hot Plug Controller, which uses signals on an external I²C I/O Expander, for Hot Plug signaling.</p> | | | | | |
| 0 | Reserved | Upstream | RsvdP | No | 0 |
| | <p>Attention Button Present</p> <p>0 = Attention Button is not implemented.</p> <p>1 = Attention Button is implemented on the slot chassis of the corresponding PEX 8624 Hot Plug-capable Transparent downstream Port. Set if the Port is Parallel or Serial Hot Plug-capable.</p> | Downstream | RO | Yes | 1 |
| 1 | Reserved | Upstream | RsvdP | No | 0 |
| | <p>Power Controller Present</p> <p>Enables or disables the Hot Plug Controller on the PEX 8624 Hot Plug-capable Transparent downstream Ports. Set if the Port is Parallel or Serial Hot Plug-capable.</p> <p>0 = Power Controller is not implemented. The Hot Plug Controller is disabled for that slot and a power-up sequence is not executed. The slot remains in the disabled state.</p> <p>1 = Power Controller is implemented for the slot of the corresponding PEX 8624 Hot Plug-capable Transparent downstream Port. The Hot Plug Controller powers up the slot when the Manually operated Retention Latch (MRL) is closed and the Slot Control register Power Controller Control bit (offset 80h[10]) is Cleared. Otherwise, if bit 2 (MRL Sensor Present) is disabled (Cleared), the MRL's position has no effect on powering up the slot.</p> | Downstream | RO | Yes | 1 |

Register 12-30. 7Ch Slot Capability
(Only Downstream Ports; Upstream Port Always Reads 0) (Cont.)

| Bit(s) | Description | Ports | Type | Serial EEPROM and I ² C | Default |
|--------|---|------------|-------|------------------------------------|---------|
| 2 | <i>Reserved</i> | Upstream | RsvdP | No | 0 |
| | MRL Sensor Present Set if the Port is Parallel or Serial Hot Plug-capable. 0 = MRL Sensor is not implemented. MRL position is “Don’t Care” for that slot. 1 = MRL Sensor is implemented on the slot chassis of the corresponding PEX 8624 Hot Plug-capable Transparent downstream Port. The PEX 8624 senses whether the MRL is open or closed for a slot. MRL should be Low for power-on for that slot. | Downstream | RO | Yes | 1 |
| 3 | <i>Reserved</i> | Upstream | RsvdP | No | 0 |
| | Attention Indicator Present Set if the Port is Parallel or Serial Hot Plug-capable. 0 = Attention Indicator is not implemented. HP_ATNLED_x# output is not functional on the slot. 1 = Attention Indicator is implemented on the slot chassis of the corresponding PEX 8624 Hot Plug-capable Transparent downstream Port. Controls whether the HP_ATNLED_x# output for the slot drives out Active-Low. | Downstream | RO | Yes | 1 |
| 4 | <i>Reserved</i> | Upstream | RsvdP | No | 0 |
| | Power Indicator Present Set if the Port is Parallel or Serial Hot Plug-capable. 0 = Power Indicator is not implemented. HP_PWRLED_x# output is not functional on the slot. 1 = Power Indicator is implemented on the slot chassis of the corresponding PEX 8624 Hot Plug-capable Transparent downstream Port. Controls whether the HP_PWRLED_x# output for the slot drives out Active-Low. | Downstream | RO | Yes | 1 |
| 5 | <i>Reserved</i> | Upstream | RsvdP | No | 0 |
| | Hot Plug Surprise 0 = No device in the corresponding PEX 8624 downstream Port slot is removed from the system without prior notification 1 = Device in the corresponding PEX 8624 downstream Port slot can be removed from the system without prior notification | Downstream | RO | Yes | 0 |

Register 12-30. 7Ch Slot Capability
(Only Downstream Ports; Upstream Port Always Reads 0) (Cont.)

| Bit(s) | Description | Ports | Type | Serial EEPROM and I ² C | Default |
|--------|---|------------|-------|------------------------------------|---------|
| 6 | <i>Reserved</i> | Upstream | RsvdP | No | 0 |
| | Hot Plug Capable 0 = Corresponding PEX 8624 downstream Port slot is not capable of supporting Hot Plug operations. 1 = Corresponding PEX 8624 downstream Port slot is capable of supporting Hot Plug operations. Set if the Port is Parallel or Serial Hot Plug-capable. | Downstream | RO | Yes | 1 |
| 14:7 | <i>Reserved</i> | Upstream | RsvdP | No | 00h |
| | Slot Power Limit Value The maximum power supplied by the corresponding PEX 8624 downstream slot is determined by multiplying the value in this field (expressed in decimal; 25d = 19h) by the <i>Slot Power Limit Scale</i> field value. This field must be implemented if the PCI Express Capability register <i>Slot Implemented</i> bit (offset 68h[24]) is Set (default). Serial EEPROM and/or I ² C Writes to this register or a DLL Up event causes the downstream Port to send the Set_Slot_Power_Limit Message to the device connected to it, so as to convey the Limit value to the downstream device's upstream Port Device Capability register <i>Captured Slot Power Limit Value</i> and <i>Captured Slot Power Limit Scale</i> fields. | Downstream | RO | Yes | 19h |
| 16:15 | <i>Reserved</i> | Upstream | RsvdP | No | 00b |
| | Slot Power Limit Scale The maximum power supplied by the corresponding PEX 8624 downstream slot is determined by multiplying the value in this field by the <i>Slot Power Limit Value</i> field value. This field must be implemented if the PCI Express Capability register <i>Slot Implemented</i> bit (offset 68h[24]) is Set (default). Serial EEPROM and/or I ² C Writes to this register or a DLL Up event causes the downstream Port to send the Set_Slot_Power_Limit Message to the device connected to it, so as to convey the Limit value to the downstream device's upstream Port Device Capability register <i>Captured Slot Power Limit Value</i> and <i>Captured Slot Power Limit Scale</i> fields. 00b = 1.0x 01b = 0.1x 10b = 0.01x 11b = 0.001x | Downstream | RO | Yes | 00b |

Register 12-30. 7Ch Slot Capability
(Only Downstream Ports; Upstream Port Always Reads 0) (Cont.)

| Bit(s) | Description | Ports | Type | Serial EEPROM and I ² C | Default | |
|---------------|---|---|-------|------------------------------------|---------|-----------------------------------|
| 17 | <i>Reserved</i> | Upstream; Downstream non-Serial Hot Plug-enabled | RsvdZ | No | 0 | |
| | Electromechanical Interlock Present This bit is valid for Serial Hot Plug Ports that have an I/O Expander; this bit is <i>not</i> valid for Parallel Hot Plug Ports. 0 = Electromechanical Interlock is not implemented on the chassis for this slot 1 = Electromechanical Interlock is implemented on the chassis for this slot | Downstream Serial Hot Plug-enabled | RO | Yes | 1 | |
| 18 | No Command Completed Support <i>Reserved</i> | | RsvdP | No | 0 | |
| 31:19 | <i>Reserved</i> | Upstream | RsvdP | No | 0-0h | |
| | Physical Slot Number Indicates the physical Slot Number attached to this Port. If the PCI Express Capability register <i>Slot Implemented</i> bit (offset 68h[24]) is Set (default), this field must be hardware-initialized to a value that assigns a Slot Number that is unique within the chassis, regardless of the form factor associated with the slot. Must be initialized to 0h for Ports connected to devices that are integrated on the system board. Bit usage depends upon whether the Port is Serial Hot Plug-capable. | Downstream | RO | Yes | 0-0h | |
| | Serial Hot Plug-Capable Downstream Ports | | | | | |
| | Bit(s) | | | | | Description/Function |
| | 22:19 | | | | | Port Numbers 0, 1, 5, 6, 8, and 9 |
| | 26:23 | | | | | Loaded from I/O Expander |
| | 31:27 | | | | | <i>Reserved</i> |
| | Non-Serial Hot Plug-Capable Downstream Ports | | | | | |
| Bit(s) | Description/Function | | | | | |
| 22:19 | Port Numbers 0, 1, 5, 6, 8, and 9 | | | | | |
| 25:23 | Value of I ² C_ADDR[2:0] (same as the lower three bits of the I²C Configuration register <i>Slave Address</i> field (Port 0, and also NT Port Virtual Interface if Port 0 is the NT Port, offset 294h[2:0])) | | | | | |
| 31:26 | <i>Reserved</i> | | | | | |

Register 12-31. 80h Slot Status and Control
(Only Downstream Ports; Upstream Port Always Reads 0)

| Bit(s) | Description | Ports | Type | Serial EEPROM and I ² C | Default | |
|---|---|-----------------|------------|------------------------------------|---------|---|
| Slot Control | | | | | | |
| <i>Note: To change the values of the MRL Sensor Changed Enable (bit 2), Power Fault Detector Enable (bit 1), and/or Attention Button Pressed Enable (bit 0) bits, the corresponding bit(s) in the Slot Capability register (offset 7Ch[2:0], respectively) must be Set first.</i> | | | | | | |
| 0 | <i>Reserved</i> | Upstream | RsvdP | No | 0 | |
| | Attention Button Pressed Enable 0 = Function is disabled 1 = Enables software notification with an interrupt if the Port is in the D0 Device PM state (PCI Power Management Status and Control register <i>Power State</i> field, offset 44h[1:0], is Cleared), or with a PME Message if the Port is in the D3hot Device PM state (offset 44h[1:0], are both Set), for an Attention Button Pressed event on the corresponding PEX 8624 Hot Plug-capable Transparent downstream Port | Offset 7Ch[0]=0 | Downstream | RO | No | 0 |
| | | Offset 7Ch[0]=1 | Downstream | RW | Yes | 0 |
| 1 | <i>Reserved</i> | Upstream | RsvdP | No | 0 | |
| | Power Fault Detector Enable 0 = Function is disabled 1 = Enables software notification with an interrupt if the Port is in the D0 Device PM state (PCI Power Management Status and Control register <i>Power State</i> field, offset 44h[1:0], is Cleared), or with a PME Message if the Port is in the D3hot Device PM state (offset 44h[1:0], are both Set), for a Power Fault Detected event on the corresponding PEX 8624 Hot Plug-capable Transparent downstream Port | Offset 7Ch[1]=0 | Downstream | RO | No | 0 |
| | | Offset 7Ch[1]=1 | Downstream | RW | Yes | 0 |

Register 12-31. 80h Slot Status and Control
(Only Downstream Ports; Upstream Port Always Reads 0) (Cont.)

| Bit(s) | Description | Ports | Type | Serial EEPROM and I ² C | Default | |
|--------|---|-----------------|------------|------------------------------------|---------|---|
| 2 | <i>Reserved</i> | Upstream | RsvdP | No | 0 | |
| | MRL Sensor Changed Enable 0 = Function is disabled 1 = Enables software notification with an interrupt if the Port is in the D0 Device PM state (PCI Power Management Status and Control register <i>Power State</i> field, offset 44h[1:0], is Cleared), or with a PME Message if the Port is in the D3hot Device PM state (offset 44h[1:0], are both Set), for an MRL Sensor Changed event on the corresponding PEX 8624 Hot Plug-capable Transparent downstream Port | Offset 7Ch[2]=0 | Downstream | RO | No | 0 |
| | | Offset 7Ch[2]=1 | Downstream | RW | Yes | 0 |
| 3 | <i>Not valid</i> | Upstream | RsvdP | No | 0 | |
| | Presence Detect Changed Enable A Presence Detect Changed event is triggered by either the SerDes Receiver Detect (Physical Layer Receiver Detect Status register <i>Receiver Detected on Lane x</i> bits (Port 0, 4, or 8, and also NT Port Virtual Interface if Port 0 is the NT Port, offset 200h[31:16])) on the corresponding PEX 8624 downstream Port, or by HP_PRSN _T _x# input or external I/O Expander PRSN _T # input on the corresponding PEX 8624 Hot Plug-capable Transparent downstream Port. 0 = Function is disabled 1 = Enables software notification with an interrupt if the Port is in the D0 Device PM state (PCI Power Management Status and Control register <i>Power State</i> field, offset 44h[1:0], is Cleared), or with a PME Message if the Port is in the D3hot Device PM state (offset 44h[1:0], are both Set), for a Presence Detect Changed event on the corresponding PEX 8624 downstream Port | Downstream | RW | Yes | 0 | |

Register 12-31. 80h Slot Status and Control
(Only Downstream Ports; Upstream Port Always Reads 0) (Cont.)

| Bit(s) | Description | Ports | Type | Serial EEPROM and I ² C | Default |
|--------|--|------------|-------|------------------------------------|---------|
| 4 | <i>Reserved</i> | Upstream | RsvdP | No | 0 |
| | Command Completed Interrupt Enable 0 = Function is disabled 1 = Enables software notification with an interrupt when a command is completed by the Hot Plug Controller on the corresponding PEX 8624 Hot Plug-capable Transparent downstream Port | Downstream | RW | Yes | 0 |
| 5 | <i>Reserved</i> | Upstream | RsvdP | No | 0 |
| | Hot Plug Interrupt Enable 0 = Function is disabled 1 = Enables an interrupt on enabled Hot Plug/Link State events for the corresponding PEX 8624 downstream Port | Downstream | RW | Yes | 0 |
| 7:6 | <i>Reserved</i> | Upstream | RsvdP | No | 00b |
| | Attention Indicator Control Controls the Attention Indicator on the corresponding PEX 8624 downstream Port slot. Reads return the corresponding PEX 8624 Hot Plug-capable Transparent downstream Port Attention Indicator's current state. Writing a non-zero value triggers a Command Completed event (even if the value written is the same as the existing value). Writing 00b preserves the current value and does not trigger a Command Completed event. 00b = <i>Reserved</i> – Writes are ignored 01b = Turns On indicator to constant On state 10b = Causes indicator to blink 11b = Turns Off indicator | Downstream | RW | Yes | 11b |

Register 12-31. 80h Slot Status and Control
(Only Downstream Ports; Upstream Port Always Reads 0) (Cont.)

| Bit(s) | Description | Ports | Type | Serial EEPROM and I ² C | Default |
|--------|--|---|-------|------------------------------------|------------------------------------|
| 9:8 | <i>Reserved</i> | Upstream | RsvdP | No | 00b |
| | <p>Power Indicator Control</p> <p>Controls the Power Indicator on the corresponding PEX 8624 Hot Plug-capable Transparent downstream Port slot. Reads return the corresponding PEX 8624 Hot Plug-capable Transparent downstream Port Power Indicator's current state.</p> <p>Writing a non-zero value triggers a Command Completed event (even if the value written is the same as the existing value). Writing 00b preserves the current value and does not trigger a Command Completed event.</p> <p>00b = <i>Reserved</i> – Writes are ignored 01b = Turns On indicator to constant On state 10b = Causes indicator to blink 11b = Turns Off indicator</p> | Downstream | RW | Yes | 11b (MRL open) 01b (MRL closed) |
| 10 | <i>Reserved</i> | Upstream | RsvdP | No | 0 |
| | <p>Power Controller Control</p> <p>Controls the Power Controller on the corresponding PEX 8624 Hot Plug-capable Transparent downstream Port slot.</p> <p>0 = Turns On the Power Controller; requires some delay to be effective 1 = Turns Off the Power Controller</p> | Downstream | RW | Yes | 1 (MRL open) 0 (MRL closed) |
| 11 | <i>Reserved</i> | Upstream; Downstream non-Serial Hot Plug-enabled | RsvdP | No | 0 |
| | <p>Electromechanical Interlock Control</p> <p>This bit is valid for Serial Hot Plug Ports that have an I/O Expander; this bit is <i>not</i> valid for Parallel Hot Plug Ports.</p> <p>If an Electromechanical Interlock is implemented, writing 1 to this bit causes the state of the interlock to toggle. A Write of 0 to this bit has no effect. A Read of this bit always returns 0.</p> | Downstream Serial Hot Plug-enabled | RW | Yes | 0 |
| 12 | <i>Not valid</i> | Upstream | RsvdP | No | 0 |
| | <p>Data Link Layer State Changed Enable</p> <p>Enables software notification with an interrupt if the Port is in the D0 Device PM state (PCI Power Management Status and Control register <i>Power State</i> field, offset 44h[1:0], is Cleared), or with a PME Message if the Port is in the D3hot Device PM state (offset 44h[1:0], are both Set), when the Link Status register <i>Data Link Layer Link Active</i> bit (offset 78h[29]) is changed.</p> | Downstream | RW | Yes | 0 |
| 15:13 | <i>Reserved</i> | | RsvdP | No | 000b |

Register 12-31. 80h Slot Status and Control
(Only Downstream Ports; Upstream Port Always Reads 0) (Cont.)

| Bit(s) | Description | Ports | Type | Serial EEPROM and I ² C | Default |
|--------------------|---|------------|-------|------------------------------------|---------|
| Slot Status | | | | | |
| 16 | <i>Reserved</i> | Upstream | RsvdP | No | 0 |
| | Attention Button Pressed 1 = Attention Button of the corresponding PEX 8624 Hot Plug-capable Transparent downstream Port slot was pressed | Downstream | RW1C | Yes | 0 |
| 17 | <i>Reserved</i> | Upstream | RsvdP | No | 0 |
| | Power Fault Detected 1 = Power Controller of the corresponding PEX 8624 Hot Plug-capable Transparent downstream Port slot detected a Power Fault at the slot | Downstream | RW1C | Yes | 0 |
| 18 | <i>Reserved</i> | Upstream | RsvdP | No | 0 |
| | MRL Sensor Changed 1 = MRL Sensor state change was detected on the corresponding PEX 8624 Hot Plug-capable Transparent downstream Port slot | Downstream | RW1C | Yes | 0 |
| 19 | <i>Reserved</i> | Upstream | RsvdP | No | 0 |
| | Presence Detect Changed A Presence Detect Changed event is triggered by either the SerDes Receiver Detect on the corresponding PEX 8624 downstream Port (Physical Layer Receiver Detect Status register <i>Receiver Detected on Lane x</i> bits (Port 0, 4, or 8, and also NT Port Virtual Interface if Port 0 is the NT Port, offset 200h[31:16])), or by HP_PRSN _T _x# or PRSN _T # input (from external I ² C I/O Expander) on the corresponding PEX 8624 Hot Plug-capable Transparent downstream Port. Write 1 to Clear. 1 = Value reported in bit 22 (<i>Presence Detect State</i>) changed | Downstream | RW1C | Yes | 0 |

Register 12-31. 80h Slot Status and Control
(Only Downstream Ports; Upstream Port Always Reads 0) (Cont.)

| Bit(s) | Description | Ports | Type | Serial EEPROM and I ² C | Default |
|--------|---|---|-------|------------------------------------|---------|
| 20 | <i>Reserved</i> | Upstream | RsvdP | No | 0 |
| | Command Completed 1 = Hot Plug Controller on the corresponding PEX 8624 Hot Plug-capable Transparent downstream Port slot completed an issued command to: <ul style="list-style-type: none"> • <i>Attention Indicator Control</i> (field [7:6]) • <i>Power Indicator Control</i> (field [9:8]) • <i>Power Controller Control</i> (bit 10) • <i>Electromechanical Interlock Control</i> (bit 11) (Serial Hot Plug-enabled Ports only) | Downstream | RW1C | Yes | 0 |
| 21 | <i>Reserved</i> | Upstream | RsvdP | No | 0 |
| | MRL Sensor State Reveals the corresponding PEX 8624 Hot Plug-capable Transparent downstream Port MRL Sensor's current state. 0 = MRL Sensor is closed 1 = MRL Sensor is open | Downstream | RO | No | 0 |
| 22 | <i>Not valid</i> | Upstream | RsvdP | No | 0 |
| | Presence Detect State For downstream Ports that implement slots, indicates the presence of an adapter in the slot, reflected by the logical OR of the corresponding downstream Port's SerDes Receiver Detect, and, if present, the Port's HP_PRSENT_x# input (de-bounced) or the PRSENT# input on the external I/O Expander for the Serial Hot Plug-enabled Port. Hardwired to 1 when the PCI Express Capability register <i>Slot Implemented</i> bit (offset 68h[24]) value is 0. 0 = Slot is empty, or device is not present 1 = Slot is occupied, or device is present | Downstream, Offset 68h[24]=1 | RO | No | 0 |
| | | Downstream, Offset 68h[24]=0 | RO | No | 1 |
| 23 | <i>Reserved</i> | Upstream; Downstream non-Serial Hot Plug-enabled | RsvdP | No | 0 |
| | Electromechanical Interlock Status This bit is valid for Serial Hot Plug Ports that have an I/O Expander; this bit is <i>not</i> valid for Parallel Hot Plug Ports. When an Electromechanical Interlock is implemented, indicates the Electromechanical Interlock's current status. 0 = Electromechanical Interlock is disengaged 1 = Electromechanical Interlock is engaged | Downstream Serial Hot Plug-enabled | RW1C | Yes | 0 |

**Register 12-31. 80h Slot Status and Control
(Only Downstream Ports; Upstream Port Always Reads 0) (Cont.)**

| Bit(s) | Description | Ports | Type | Serial EEPROM and I ² C | Default |
|--------|---|------------|-------|------------------------------------|---------|
| 24 | <i>Not valid</i> | Upstream | RsvdP | No | 0 |
| | Data Link Layer State Changed In response to a Data Link Layer State Changed event, software must read the Link Status register <i>Data Link Layer Link Active</i> bit (offset 78h[29]), to determine whether the Link is active before initiating Configuration Requests to the device. 1 = Value reported in the Link Status register <i>Data Link Layer Link Active</i> bit changed | Downstream | RW1C | Yes | 0 |
| 31:25 | <i>Reserved</i> | | RsvdZ | No | 0-0h |

Register 12-32. 8Ch Device Capability 2 (All Ports)

| Bit(s) | Description | Ports | Type | Serial EEPROM and I ² C | Default |
|--------|---|------------|-------|------------------------------------|---------|
| 4:0 | <i>Reserved</i> | | RsvdP | No | 0-0h |
| 5 | <i>Reserved</i> | Upstream | RsvdP | No | 0 |
| | ARI Forwarding Supported 0 = Alternative Routing-ID Interpretation (ARI) forwarding is not supported 1 = ARI forwarding is supported | Downstream | RO | Yes | 1 |
| 31:6 | <i>Reserved</i> | | RsvdP | No | 0-0h |

Register 12-33. 90h Device Status and Control 2 (All Ports)

| Bit(s) | Description | Ports | Type | Serial EEPROM and I ² C | Default |
|-------------------------|---|------------|-------|------------------------------------|---------|
| Device Control 2 | | | | | |
| 4:0 | <i>Reserved</i> | | RsvdP | No | 0-0h |
| 5 | <i>Reserved</i> | Upstream | RsvdP | No | 0 |
| | ARI Forwarding Enable 0 = Disabled 1 = Enabled; Downstream Port disables its traditional Device Number field from being forced to 0 when turning a Type 1 Configuration Request into a Type 0 Configuration Request, permitting access to extended functions in an ARI device immediately below the Port | Downstream | RW | Yes | 0 |
| 15:6 | <i>Reserved</i> | | RsvdP | No | 0-0h |
| Device Status 2 | | | | | |
| 31:16 | <i>Reserved</i> | | RsvdP | No | 0000h |

Register 12-34. 98h Link Status and Control 2 (All Ports)

| Bit(s) | Description | Ports | Type | Serial EEPROM and I ² C | Default |
|-----------------------|--|------------|--------|------------------------------------|------------------------------|
| Link Control 2 | | | | | |
| 3:0 | Target Link Speed 0001b = 2.5 GT/s Link speed supported 0010b = 5.0 GT/s Link speed supported All other encodings are <i>reserved</i> . | | RWS | Yes | 0010b |
| 4 | Enter Compliance | | RWS | Yes | 0 |
| 5 | Hardware Autonomous Speed Disable <i>Reserved</i> Initial transition to the highest supported common Link speed is not blocked by this bit. | | RsvdP | No | 0 |
| 6 | <i>Not valid</i> | Upstream | RsvdP | Yes | 0 |
| | Selectable De-Emphasis Selects the standard de-emphasis level when the Link is operating at 5.0 GT/s. When the Link is operating at 2.5 GT/s, the Setting of this bit has no effect (de-emphasis at 2.5 GT/s is -3.5 dB). 0 = -6 dB 1 = -3.5 dB | Downstream | HwInit | Yes | 0 (5.0 GT/s) 1 (2.5 GT/s) |
| 9:7 | Transmit Margin Intended for debug and compliance testing only. | | RWS | Yes | 000b |
| 10 | Enter Modified Compliance Intended for debug and compliance testing only. | | RWS | Yes | 0 |
| 11 | Compliance SOS 1 = LTSSM must periodically send SKIP Ordered-Sets between sequences when sending the Compliance Pattern or Modified Compliance Pattern | | RWS | Yes | 0 |
| 12 | Compliance De-Emphasis Sets the de-emphasis level in the <i>Polling.Compliance</i> state, if the entry occurred due to bit 4 (<i>Enter Compliance</i>) being Set. | | RWS | Yes | 0 |
| 15:13 | <i>Reserved</i> | | RsvdP | No | 000b |
| Link Status 2 | | | | | |
| 16 | Current De-Emphasis Level Reflects the de-emphasis level. 0 = -6 dB (Link is operating at 5.0 GT/s) 1 = -3.5 dB | | RO | Yes | 0 (5.0 GT/s) 1 (2.5 GT/s) |
| 31:17 | <i>Reserved</i> | | RsvdP | No | 0-0h |

12.10 Subsystem ID and Subsystem Vendor ID Capability Registers (Offsets A4h – FCh)

This section details the Subsystem ID and Subsystem Vendor ID Capability registers. [Table 12-11](#) defines the register map.

Table 12-11. Subsystem ID and Subsystem Vendor ID Capability Register Map (All Ports)

| 31 | 30 | 29 | 28 | 27 | 26 | 25 | 24 | 23 | 22 | 21 | 20 | 19 | 18 | 17 | 16 | 15 | 14 | 13 | 12 | 11 | 10 | 9 | 8 | 7 | 6 | 5 | 4 | 3 | 2 | 1 | 0 |
|-----------------|----|----|----|----|----|----|----|----|----|----|----|----|----|----|----|----------------------------------|----|----|----|----|----|-----------------------------------|---|---|---|---|-----------|---|---|---|---|
| <i>Reserved</i> | | | | | | | | | | | | | | | | Next Capability Pointer (00h) | | | | | | SSID/SSVID Capability ID (0Dh) | | | | | A4h | | | | |
| Subsystem ID | | | | | | | | | | | | | | | | Subsystem Vendor ID | | | | | | | | | | | A8h | | | | |
| <i>Reserved</i> | | | | | | | | | | | | | | | | | | | | | | | | | | | ACh – FCh | | | | |

Register 12-35. A4h Subsystem Capability (All Ports)

| Bit(s) | Description | Type | Serial EEPROM and I ² C | Default |
|--------|--|-------|------------------------------------|---------|
| 7:0 | SSID/SSVID Capability ID SSID/SSVID registers for the PCI-to-PCI bridge. Program to 0Dh, as required by the <i>PCI-to-PCI Bridge r1.2</i> . | RO | Yes | 0Dh |
| 15:8 | Next Capability Pointer 00h = This capability is the last capability in the PEX 8624 Port's Capabilities list The PEX 8624 Port Extended Capabilities list starts at offset 100h. | RO | Yes | 00h |
| 31:16 | <i>Reserved</i> | RsvdP | No | 0000h |

Register 12-36. A8h Subsystem ID and Subsystem Vendor ID (All Ports)

| Bit(s) | Description | Type | Serial EEPROM and I ² C | Default |
|--------|---|------|------------------------------------|---------|
| 15:0 | Subsystem Vendor ID The Vendor ID (offset 00h[15:0]) identifies the manufacturer of the PEX 8624, and the Subsystem Vendor ID optionally identifies the board or system vendor. As with the Vendor ID value, the Subsystem Vendor ID value must be a valid PCI-SIG-assigned Vendor ID. | RO | Yes | 10B5h |
| 31:16 | Subsystem ID The Device ID (offset 00h[31:16]) identifies the PEX 8624, and optionally the Subsystem ID in combination with the Subsystem Vendor ID, uniquely identifies the board or system. The <i>Subsystem ID</i> value is chosen or assigned only by the "owner" of the valid Vendor ID value used for the Subsystem Vendor ID. If the board or system vendor is not a PCI-SIG member, PLX can assign, free of charge, a unique <i>Subsystem ID</i> value, in which case the Subsystem Vendor ID remains the PLX default value, 10B5h. The <i>Subsystem Vendor ID</i> and <i>Subsystem ID</i> values are usually identical for all PEX 8624 Ports. | RO | Yes | 8624h |

12.11 Device Serial Number Extended Capability Registers (Offsets 100h – 134h)

This section details the Device Serial Number Extended Capability registers. [Table 12-12](#) defines the register map.

Table 12-12. Device Serial Number Extended Capability Register Map (All Ports)

| 31 30 29 28 27 26 25 24 23 22 21 20 19 18 17 16 | | | | | | | | | | | | | | | | 15 14 13 12 11 10 9 8 7 6 5 4 3 2 1 0 | | | | | | | | | | | | | | | | | | | | |
|---|--|--|--|--|--|--|--|--|--|--|--|--|--|--|--|---------------------------------------|--|--|--|--|--|--|--|--|--|--|--|--|--|--|--|-------------|--|--|--|------|
| Next Capability Offset (FB4h) | | | | | | | | | | | | | | | | Capability Version (1h) | | | | PCI Express Extended Capability ID (0003h) | | | | | | | | | | | | | | | | 100h |
| Serial Number (Lower DW) | | | | | | | | | | | | | | | | | | | | | | | | | | | | | | | | 104h | | | | |
| Serial Number (Upper DW) | | | | | | | | | | | | | | | | | | | | | | | | | | | | | | | | 108h | | | | |
| <i>Reserved</i> | | | | | | | | | | | | | | | | | | | | | | | | | | | | | | | | 10Ch – 134h | | | | |

Register 12-37. 100h Device Serial Number Extended Capability Header (All Ports)

| Bit(s) | Description | Type | Serial EEPROM and I ² C | Default |
|--------|---|------|------------------------------------|---------|
| 15:0 | PCI Express Extended Capability ID Programmed to 0003h, as required by the <i>PCI Express Base r2.0</i> . | RO | Yes | 0003h |
| 19:16 | Capability Version Programmed to 1h, as required by the <i>PCI Express Base r2.0</i> . | RO | Yes | 1h |
| 31:20 | Next Capability Offset Programmed to FB4h, which addresses the Advanced Error Reporting Extended Capability structure. | RO | Yes | FB4h |

Register 12-38. 104h Serial Number (Lower DW) (All Ports)

| Bit(s) | Description | Type | Serial EEPROM and I ² C | Default |
|--------|--|------|------------------------------------|------------|
| 31:0 | <p>PCI Express Device Serial Number (1st DW) Lower half of a 64-bit register. Value programmed by Serial EEPROM register initialization. Per the <i>PCI Express Base r2.0</i>, all switch Ports must contain the same value; therefore, one physical register is shared by all PEX 8624 Ports. (Refer to Table 12-2.)</p> <p>The Serial Number registers contain the IEEE-defined 64-bit Extended Unique Identifier (EUI-64™). The lower 24 bits are the Company ID value assigned by the IEEE registration authority, and the upper 40 bits are the Extension ID assigned by the identified Company.</p> | RO | Yes | B5DF_0E00h |

Register 12-39. 108h Serial Number (Upper DW) (All Ports)

| Bit(s) | Description | Type | Serial EEPROM and I ² C | Default |
|--------|--|------|------------------------------------|-------------|
| 31:0 | <p>PCI Express Device Serial Number (2nd DW) Upper half of a 64-bit register. Value programmed by Serial EEPROM register initialization. Per the <i>PCI Express Base r2.0</i>, all switch Ports must contain the same value; therefore, one physical register is shared by all PEX 8624 Ports. (Refer to Table 12-2.)</p> <p>The Serial Number registers contain the IEEE-defined 64-bit Extended Unique Identifier (EUI-64™). The lower 24 bits are the Company ID value assigned by the IEEE registration authority, and the upper 40 bits are the Extension ID assigned by the identified Company.</p> | RO | Yes | AA_8600_10h |

12.12 Power Budget Extended Capability Registers (Offsets 138h – 144h)

This section details the Power Budget Extended Capability registers. These registers work differently than the others, especially with respect to serial EEPROM Reads and Writes. *For example*, when writing to Index 5 of the upstream Port/NT Port Link Interface **Power Budget Data** register (offset 140h), write 5 into the upstream Port/NT Port Link Interface **Data Select** register *Data Select* field (offset 13Ch[7:0]), then write the value into the upstream Port/NT Port Link Interface **Power Budget Data** register. Table 12-13 defines the register map.

Table 12-13. Power Budget Extended Capability Register Map (Only Upstream Port, and also NT Port Link Interface; Reserved (RsvdP) for All Other Ports)

| 31 30 29 28 27 26 25 24 23 22 21 20 19 18 17 16 | | | | | | | | | | | | | | | | 15 14 13 12 11 10 9 8 7 6 5 4 3 2 1 0 | | | | | | | | | | | | | | | | | | | | | | | | | | | | | | | | |
|---|--|--|--|--|--|--|--|--|--|--|--|--|--|--|--|---------------------------------------|--|--|--|--|--|--|--|--|--|--|--|--|--|--|--|--|--|--|--|--|--|--|--|--|--|--|--|--|--|--|--|------|
| Next Capability Offset (148h) | | | | | | | | | | | | | | | | Capability Version (1h) | | | | | | | | | | | | | | | | PCI Express Extended Capability ID (0004h) | | | | | | | | | | | | | | | | 138h |
| <i>Reserved</i> | | | | | | | | | | | | | | | | <i>Reserved</i> | | | | | | | | | | | | | | | | Data Select | | | | | | | | | | | | | | | | 13Ch |
| Power Budget Data | | | | | | | | | | | | | | | | | | | | | | | | | | | | | | | | 140h | | | | | | | | | | | | | | | | |
| Power Budget Capability | | | | | | | | | | | | | | | | | | | | | | | | | | | | | | | | 144h | | | | | | | | | | | | | | | | |

Register 12-40. 138h Power Budget Extended Capability Header (Only Upstream Port, and also NT Port Link Interface; Reserved (RsvdP) for All Other Ports)

| Bit(s) | Description | Ports | Type | Serial EEPROM and I ² C | Default |
|--------|--|------------|-------|------------------------------------|---------|
| 15:0 | PCI Express Extended Capability ID Programmed to 0004h, as required by the <i>PCI Express Base r2.0</i> . | Upstream | RO | Yes | 0004h |
| | <i>Reserved</i> | Downstream | RsvdP | No | 0000h |
| 19:16 | Capability Version Programmed to 1h, as required by the <i>PCI Express Base r2.0</i> . | Upstream | RO | Yes | 1h |
| | <i>Reserved</i> | Downstream | RsvdP | No | 0h |
| 31:20 | Next Capability Offset Programmed to 148h, which addresses the Virtual Channel Extended Capability structure. | Upstream | RO | Yes | 148h |
| | <i>Reserved</i> | Downstream | RsvdP | No | 000h |

Register 12-41. 13Ch Data Select (Only Upstream Port, and also NT Port Link Interface; Reserved (RsvdP) for All Other Ports)

| Bit(s) | Description | Ports | Type | Serial EEPROM and I ² C | Default |
|--------|---|------------|-------|------------------------------------|---------|
| 7:0 | Data Select Indexes the Power Budget data reported, by way of eight upstream Port/NT Port Link Interface Power Budget Data registers, per Port, and selects the DWord of Power Budget data that appears in each Power Budget Data register. Index values start at 0, to select the first DWord of Power Budget data; subsequent DWords of Power Budget data are selected by increasing index values 1 to 7. | Upstream | RW | Yes | 00h |
| | Reserved | Downstream | RsvdP | No | 00h |
| 31:8 | Reserved | | RsvdP | No | 0-0h |

Register 12-42. 140h Power Budget Data (Only Upstream Port, and also NT Port Link Interface; Reserved (RsvdP) for All Other Ports)

| Bit(s) | Description | Ports | Type | Serial EEPROM and I ² C | Default |
|--|---|------------|-------|------------------------------------|---------|
| <p><i>Note:</i> Eight registers, per upstream Port/NT Port Link Interface, can be programmed, through the serial EEPROM or I²C. Each non-zero register value describes the power usage for a different operating condition. Each configuration is selected by writing to the Data Select register Data Select field (Upstream Port/NT Port Link Interface, offset 13Ch[7:0]).</p> | | | | | |
| 7:0 | Base Power Eight registers per upstream Port/NT Port Link Interface. Specifies (in Watts) the base power value in the operating condition. This value must be multiplied by the field [9:8] (<i>Data Scale</i>) contents, to produce the actual power consumption value. | Upstream | RO | Yes | 00h |
| | Reserved | Downstream | RsvdP | No | 00h |
| 9:8 | Data Scale Specifies the scale to apply to the Base Power value. The device power consumption is determined by multiplying the field [7:0] (<i>Base Power</i>) contents with the value corresponding to the encoding returned by this field. 00b = 1.0x 01b = 0.1x 10b = 0.01x 11b = 0.001x | Upstream | RO | Yes | 00b |
| | Reserved | Downstream | RsvdP | No | 00b |
| 12:10 | PM Sub-State 000b = Power Management sub-state of the operating condition being described | Upstream | RO | Yes | 000b |
| | Reserved | Downstream | RsvdP | No | 000b |

Register 12-42. 140h Power Budget Data (Only Upstream Port, and also NT Port Link Interface; Reserved (RsvdP) for All Other Ports) (Cont.)

| Bit(s) | Description | Ports | Type | Serial EEPROM and I ² C | Default |
|--------|---|------------|-------|------------------------------------|---------|
| 14:13 | PM State Power Management state of the operating condition being described. 00b = D0 Device PM state 11b = D3 Device PM state All other encodings are <i>reserved</i> . | Upstream | RO | Yes | 00b |
| | <i>Reserved</i> | Downstream | RsvdP | No | 00b |
| 17:15 | Type Type of operating condition being described. 000b = PME Auxiliary 001b = Auxiliary 010b = Idle 011b = Sustained 111b = Maximum All other encodings are <i>reserved</i> . | Upstream | RO | Yes | 000b |
| | <i>Reserved</i> | Downstream | RsvdP | No | 000b |
| 20:18 | Power Rail Power Rail of the operating condition being described. 000b = Power 12V 001b = Power 3.3V 010b = Power 1.8V 111b = Thermal All other encodings are <i>reserved</i> . | Upstream | RO | Yes | 000b |
| | <i>Reserved</i> | Downstream | RsvdP | No | 000b |
| 31:21 | <i>Reserved</i> | | RsvdP | No | 0-0h |

Register 12-43. 144h Power Budget Capability (Only Upstream Port, and also NT Port Link Interface; Reserved (RsvdP) for All Other Ports)

| Bit(s) | Description | Ports | Type | Serial EEPROM and I ² C | Default |
|--------|---|------------|--------|------------------------------------|---------|
| 0 | System Allocated 1 = Power budget for the device is included within the system power budget | Upstream | HwInit | Yes | 1 |
| | <i>Reserved</i> | Downstream | RsvdP | No | 0 |
| 31:1 | <i>Reserved</i> | | RsvdP | No | 0-0h |

12.13 Virtual Channel Extended Capability Registers (Offsets 148h – 1BCh)

This section details the Virtual Channel Extended Capability registers, which are duplicated for each Port. Table 12-14 defines the register map for one Port.

Table 12-14. Virtual Channel Extended Capability Register Map (All Ports)

| 31 30 29 28 27 26 25 24 23 22 21 20 19 18 17 16 | | 15 14 13 12 11 10 9 8 7 6 5 4 3 2 1 0 | | | | |
|--|--|---------------------------------------|-----------------|----------------------------|--|---------------------|
| Next Capability Offset (448h, 950h, or 520h) | | | | Capability Version (1h) | PCI Express Extended Capability ID (0002h) | 148h |
| Port VC Capability 1 | | | | | | 14Ch |
| Port VC Capability 2 | | | | | | 150h |
| Port VC Status (<i>Reserved</i>) | | | Port VC Control | | | 154h |
| VC0 Resource Capability | | | | | | 158h |
| VC0 Resource Control | | | | | | 15Ch |
| VC0 Resource Status | | | <i>Reserved</i> | | | 160h |
| <i>Reserved</i> | | | | | | 164h – |
| Port Arbitration Table Registers (Offsets 1A8h – 1BCh) | | | | | | 1A8h ... 1BCh |

Register 12-44. 148h Virtual Channel Extended Capability Header (All Ports)

| Bit(s) | Description | Ports | Type | Serial EEPROM and I ² C | Default |
|--------|---|---------------------------------|------|--|---------|
| 15:0 | PCI Express Extended Capability ID Programmed to 0002h, as required by the <i>PCI Express Base r2.0</i> . | | RO | No | 0002h |
| 19:16 | Capability Version Programmed to 1h, as required by the <i>PCI Express Base r2.0</i> . | | RO | No | 1h |
| 31:20 | Next Capability Offset Next extended capability is the Vendor-Specific Extended Capability structure, offset 448h. | Port 0 is a Transparent Port | RO | No | 448h |
| | Next extended capability is the Vendor-Specific Extended Capability 2 structure, offset 950h. | Upstream, if not Port 0 | RO | No | 950h |
| | Next extended capability is the ACS Extended Capability structure, offset 520h. | Downstream, except Port 0 | RO | No | 520h |

Register 12-45. 14Ch Port VC Capability 1 (All Ports)

| Bit(s) | Description | Ports | Type | Serial EEPROM and I ² C | Default |
|--------|---|------------------------------------|-------|------------------------------------|---------|
| 0 | Extended VC Counter 0 = PEX 8624 Port supports only one Virtual Channel, VC0 1 = <i>Reserved</i> | | RO | No | 0 |
| 3:1 | <i>Reserved</i> | | RsvdP | No | 000b |
| 4 | Low-Priority Extended VC Counter For Strict Priority arbitration, indicates the number of extended Virtual Channels (VCs) (those in addition to VC0) that belong to the Low-Priority VC group for this PEX 8624 Port. 0 = For this PEX 8624 Port, only VC0 belongs to the Low-Priority VC group 1 = <i>Reserved</i> , because the PEX 8624 supports only one VC | | RO | No | 0 |
| 7:5 | <i>Reserved</i> | | RsvdP | No | 000b |
| 9:8 | Reference Clock Cleared. | | RsvdP | No | 00b |
| 11:10 | Port Arbitration Table Entry Size 00b = Port Arbitration Table entry size is 1 bit 10b = Port Arbitration Table entry size is 4 bits <i>Note: This field is valid only on upstream Port 0, and reserved on all other Ports.</i> | Upstream Port 0 (refer to Note) | RO | Yes | 10b |
| | <i>Reserved</i> | All other Ports | RsvdP | No | 00b |
| 31:12 | <i>Reserved</i> | | RsvdP | No | 0000_0h |

Register 12-46. 150h Port VC Capability 2 (All Ports)

| Bit(s) | Description | Type | Serial EEPROM and I ² C | Default |
|--------|--|-------|------------------------------------|---------|
| 0 | VC Arbitration Capability 0 = Indicates that the Round-Robin (Hardware-Fixed) Arbitration scheme is not supported 1 = <i>Reserved</i> , because the PEX 8624 supports only one VC (Port VC Capability 2 register <i>Low-Priority Extended VC Counter</i> bit, offset 14Ch[4], is Cleared) | RO | No | 0 |
| 31:1 | <i>Reserved</i> | RsvdP | No | 0-0h |

Register 12-47. 154h Port VC Status and Control (All Ports)

| Bit(s) | Description | Type | Serial EEPROM and I ² C | Default |
|------------------------|---|-------|------------------------------------|---------|
| Port VC Control | | | | |
| 0 | Load VC Arbitration Table Writing 1 updates the VC Arbitration Table for the corresponding PEX 8624 Port. Reads always return 0. | RsvdP | No | 0 |
| 3:1 | VC Arbitration Select Selects the VC arbitration type for the corresponding PEX 8624 Port, as per the supported arbitration type indicated by the Port VC Capability 2 register <i>VC Arbitration Capability</i> field (offset 150h[0]) value. 000b = Bit 0; Round-Robin (Hardware-Fixed) arbitration scheme All other encodings are <i>reserved</i> . | RW | Yes | 000b |
| 15:4 | <i>Reserved</i> | RsvdP | No | 000h |
| Port VC Status | | | | |
| 16 | VC Arbitration Table Status <i>Reserved</i> | RsvdP | No | 0 |
| 31:17 | <i>Reserved</i> | RsvdP | No | 0-0h |

Register 12-48. 158h VC0 Resource Capability (All Ports)

| Bit(s) | Description | Ports | Type | Serial EEPROM and I ² C | Default |
|--------|--|---------------------------------|-------|------------------------------------|-----------|
| 1:0 | Port Arbitration Capability Bit 0 = 1 – Non-configurable Round-Robin (Hardware-Fixed) arbitration Bit 1 = 1 – Weighted Round-Robin (WRR) arbitration with 32 Phases <i>Note: This field's value is 10b for upstream Port 0, and 01b for all other Ports.</i> | Upstream Port 0 (refer to Note) | RO | No | 10b |
| | | All other Ports | RO | No | 01b |
| 14:2 | <i>Reserved</i> | | RsvdP | No | 0-0h |
| 15 | Reject Snoop Transactions Not a PCI Express switch feature; therefore, Cleared. | | RsvdP | No | 0 |
| 22:16 | Maximum Time Slots Cleared. | | RsvdP | No | 000_0000b |
| 23 | <i>Reserved</i> | | RsvdP | No | 0 |
| 31:24 | Port Arbitration Table Offset Offset of the Port Arbitration Table, as the number of DQWords from the Base address of the Virtual Channel Extended Capability structure. (Refer to Section 12.13.1 for further details.) 00h = Port Arbitration Table is not present 06h = Port Arbitration Table is located at register offset 1A8h (148h + 6 x 4 DWords) <i>Note: This field is valid only on upstream Port 0, and reserved on all other Ports.</i> | Upstream Port 0 (refer to Note) | RO | No | 06h |
| | | All other Ports | RsvdP | No | 00h |

Register 12-49. 15Ch VC0 Resource Control (All Ports)

| Bit(s) | Description | Ports | Type | Serial EEPROM and I ² C | Default |
|--------|--|---------------------------------|-------|------------------------------------|---------|
| 0 | TC/VC Map Defines Traffic Classes [7:0], respectively, and indicates which TCs are mapped to VC0. Traffic Class 0 (TC0) must be mapped to VC0. By default, Traffic Classes [7:1] are mapped to VC0. | | RO | No | 1 |
| 7:1 | | | RW | Yes | 7Fh |
| 15:8 | <i>Reserved</i> | | RsvdP | No | 00h |
| 16 | Load Port Arbitration Table Software writes this bit, to load the updated WRR Port Arbitration Table value to the internal logic. Software Read always returns 0. | | RW | Yes | 0 |
| 19:17 | Port Arbitration Select Selects the Port Arbitration type for the corresponding PEX 8624 Port. Indicates the bit number in the VC0 Resource Capability register <i>Port Arbitration Capability</i> field (offset 158h[1:0]) that corresponds to the arbitration type. 0 = Round-Robin (Hardware-Fixed) arbitration scheme 1 = Weighted Round-Robin with 32 Phases <i>Note: This field's value is 001b for upstream Port 0, and 000b for all other Ports.</i> | Upstream Port 0 (refer to Note) | RW | Yes | 001b |
| | | All other Ports | RW | Yes | 000b |
| 23:20 | <i>Reserved</i> | | RsvdP | No | 0h |
| 24 | VC ID Defines the corresponding PEX 8624 Port VC0 ID code. Cleared, because VC0 is the only/default VC. | | RO | No | 0 |
| 30:25 | <i>Reserved</i> | | RsvdP | No | 0-0h |
| 31 | VC Enable 0 = Not allowed 1 = Enables the corresponding PEX 8624 Port VC0 | | RO | No | 1 |

Register 12-50. 160h VC0 Resource Status (All Ports)

| Bit(s) | Description | Ports | Type | Serial EEPROM and I ² C | Default |
|--------|--|---------------------------------|-------|------------------------------------|---------|
| 15:0 | <i>Reserved</i> | | RsvdP | No | 0000h |
| 16 | Port Arbitration Table Status 0 = Hardware has finished loading values stored in the Port Arbitration Table, after software Sets the VC0 Resource Control register <i>Load Port Arbitration Table</i> bit (offset 15Ch[16]) 1 = Port Arbitration Table entry was written to by software <i>Note: This bit is valid only on Port 0, and reserved on all other Ports.</i> | Upstream Port 0 (refer to Note) | RO | No | 0 |
| | <i>Reserved</i> | All other Ports | RsvdP | No | 0 |
| 17 | VC0 Negotiation Pending 0 = Port's VC0 negotiation is complete 1 = Port's VC0 initialization is not complete | | RO | Yes | 1 |
| 31:18 | <i>Reserved</i> | | RsvdP | No | 0-0h |

12.13.1 Port Arbitration Table Registers (Offsets 1A8h – 1BCh)

This section details the Port Arbitration Table registers. Port Arbitration Table phases are used to determine Port weighting during “Weighted Round-Robin with 32 Phases” Port arbitration.

These registers are implemented as follows. If Port 0 is the NT Port, the NT Port Virtual Interface implements this register. Otherwise, Port 0 implements this register.

Table 12-15 defines the register map. The numbers along the top of the register map table indicate the 4-bit fields of each 32-bit register. There are 32 phases.

Note: The Port Arbitration Table is used only when Weighted Round-Robin with 32-phase Port Arbitration is selected, by way of the VCO Resource Control register Port Arbitration Select field (offset 15Ch[19:17]=001b).

**Table 12-15. Port Arbitration Table Register Map
(Only Upstream Port 0, or NT Port Virtual Interface (if
Port 0 is the NT Port); Reserved (RsvdP) for All Other Ports)**

| 31 | 30 | 29 | 28 | 27 | 26 | 25 | 24 | 23 | 22 | 21 | 20 | 19 | 18 | 17 | 16 | 15 | 14 | 13 | 12 | 11 | 10 | 9 | 8 | 7 | 6 | 5 | 4 | 3 | 2 | 1 | 0 | | | | | | | | | | | | | | | |
|-----------------|----------|----------|----------|----------|----------|----------|----------|----|----|----|----|----|----|----|----|----|----|----|----|----|----|---|---|---|---|---|---|---|---|---|---|------|--|--|--|--|--|--|--|--|--|--|--|--|--|-------------|
| Phase 7 | Phase 6 | Phase 5 | Phase 4 | Phase 3 | Phase 2 | Phase 1 | Phase 0 | | | | | | | | | | | | | | | | | | | | | | | | | 1A8h | | | | | | | | | | | | | | |
| Phase 15 | Phase 14 | Phase 13 | Phase 12 | Phase 11 | Phase 10 | Phase 9 | Phase 8 | | | | | | | | | | | | | | | | | | | | | | | | | 1ACh | | | | | | | | | | | | | | |
| Phase 23 | Phase 22 | Phase 21 | Phase 20 | Phase 19 | Phase 18 | Phase 17 | Phase 16 | | | | | | | | | | | | | | | | | | | | | | | | | 1B0h | | | | | | | | | | | | | | |
| Phase 31 | Phase 30 | Phase 29 | Phase 28 | Phase 27 | Phase 26 | Phase 25 | Phase 24 | | | | | | | | | | | | | | | | | | | | | | | | | 1B4h | | | | | | | | | | | | | | |
| <i>Reserved</i> | | | | | | | | | | | | | | | | | | | | | | | | | | | | | | | | | | | | | | | | | | | | | | 1B8h – 1BCh |

Register 12-51. 1A8h Port Arbitration Table Phases 0 to 7 (Only Upstream Port 0, or NT Port Virtual Interface (if Port 0 is the NT Port); Reserved (RsvdP) for All Other Ports)

| Bit(s) | Description | Ports | Type | Serial EEPROM and I ² C | Default |
|--|---------------------------------------|---------------------------------|-------|------------------------------------|--|
| <i>Note: If Port 0 is the NT Port, the NT Port Virtual Interface implements this register. Otherwise, Port 0 implements this register.</i> | | | | | |
| 3:0 | Port Arbitration Table Phase 0 | Upstream Port 0 (refer to Note) | RW | Yes | Value is based upon Negotiated Link Width and Current Link Speed (offset 78h[25:20 and 19:16], respectively) |
| | <i>Reserved</i> | All other Ports | RsvdP | No | 0h |
| 7:4 | Port Arbitration Table Phase 1 | Upstream Port 0 (refer to Note) | RW | Yes | Value is based upon Negotiated Link Width and Current Link Speed (offset 78h[25:20 and 19:16], respectively) |
| | <i>Reserved</i> | All other Ports | RsvdP | No | 0h |
| 11:8 | Port Arbitration Table Phase 2 | Upstream Port 0 (refer to Note) | RW | Yes | Value is based upon Negotiated Link Width and Current Link Speed (offset 78h[25:20 and 19:16], respectively) |
| | <i>Reserved</i> | All other Ports | RsvdP | No | 0h |
| 15:12 | Port Arbitration Table Phase 3 | Upstream Port 0 (refer to Note) | RW | Yes | Value is based upon Negotiated Link Width and Current Link Speed (offset 78h[25:20 and 19:16], respectively) |
| | <i>Reserved</i> | All other Ports | RsvdP | No | 0h |
| 19:16 | Port Arbitration Table Phase 4 | Upstream Port 0 (refer to Note) | RW | Yes | Value is based upon Negotiated Link Width and Current Link Speed (offset 78h[25:20 and 19:16], respectively) |
| | <i>Reserved</i> | All other Ports | RsvdP | No | 0h |
| 23:20 | Port Arbitration Table Phase 5 | Upstream Port 0 (refer to Note) | RW | Yes | Value is based upon Negotiated Link Width and Current Link Speed (offset 78h[25:20 and 19:16], respectively) |
| | <i>Reserved</i> | All other Ports | RsvdP | No | 0h |
| 27:24 | Port Arbitration Table Phase 6 | Upstream Port 0 (refer to Note) | RW | Yes | Value is based upon Negotiated Link Width and Current Link Speed (offset 78h[25:20 and 19:16], respectively) |
| | <i>Reserved</i> | All other Ports | RsvdP | No | 0h |
| 31:28 | Port Arbitration Table Phase 7 | Upstream Port 0 (refer to Note) | RW | Yes | Value is based upon Negotiated Link Width and Current Link Speed (offset 78h[25:20 and 19:16], respectively) |
| | <i>Reserved</i> | All other Ports | RsvdP | No | 0h |

Register 12-52. 1ACh Port Arbitration Table Phases 8 to 15 (Only Upstream Port 0, or NT Port Virtual Interface (if Port 0 is the NT Port); Reserved (RsvdP) for All Other Ports)

| Bit(s) | Description | Ports | Type | Serial EEPROM and I ² C | Default |
|--|--|---------------------------------|-------|------------------------------------|--|
| <i>Note: If Port 0 is the NT Port, the NT Port Virtual Interface implements this register. Otherwise, Port 0 implements this register.</i> | | | | | |
| 3:0 | Port Arbitration Table Phase 8 | Upstream Port 0 (refer to Note) | RW | Yes | Value is based upon Negotiated Link Width and Current Link Speed (offset 78h[25:20 and 19:16], respectively) |
| | <i>Reserved</i> | All other Ports | RsvdP | No | 0h |
| 7:4 | Port Arbitration Table Phase 9 | Upstream Port 0 (refer to Note) | RW | Yes | Value is based upon Negotiated Link Width and Current Link Speed (offset 78h[25:20 and 19:16], respectively) |
| | <i>Reserved</i> | All other Ports | RsvdP | No | 0h |
| 11:8 | Port Arbitration Table Phase 10 | Upstream Port 0 (refer to Note) | RW | Yes | Value is based upon Negotiated Link Width and Current Link Speed (offset 78h[25:20 and 19:16], respectively) |
| | <i>Reserved</i> | All other Ports | RsvdP | No | 0h |
| 15:12 | Port Arbitration Table Phase 11 | Upstream Port 0 (refer to Note) | RW | Yes | Value is based upon Negotiated Link Width and Current Link Speed (offset 78h[25:20 and 19:16], respectively) |
| | <i>Reserved</i> | All other Ports | RsvdP | No | 0h |
| 19:16 | Port Arbitration Table Phase 12 | Upstream Port 0 (refer to Note) | RW | Yes | Value is based upon Negotiated Link Width and Current Link Speed (offset 78h[25:20 and 19:16], respectively) |
| | <i>Reserved</i> | All other Ports | RsvdP | No | 0h |
| 23:20 | Port Arbitration Table Phase 13 | Upstream Port 0 (refer to Note) | RW | Yes | Value is based upon Negotiated Link Width and Current Link Speed (offset 78h[25:20 and 19:16], respectively) |
| | <i>Reserved</i> | All other Ports | RsvdP | No | 0h |
| 27:24 | Port Arbitration Table Phase 14 | Upstream Port 0 (refer to Note) | RW | Yes | Value is based upon Negotiated Link Width and Current Link Speed (offset 78h[25:20 and 19:16], respectively) |
| | <i>Reserved</i> | All other Ports | RsvdP | No | 0h |
| 31:28 | Port Arbitration Table Phase 15 | Upstream Port 0 (refer to Note) | RW | Yes | Value is based upon Negotiated Link Width and Current Link Speed (offset 78h[25:20 and 19:16], respectively) |
| | <i>Reserved</i> | All other Ports | RsvdP | No | 0h |

Register 12-53. 1B0h Port Arbitration Table Phases 16 to 23 (Only Upstream Port 0, or NT Port Virtual Interface (if Port 0 is the NT Port); Reserved (RsvdP) for All Other Ports)

| Bit(s) | Description | Ports | Type | Serial EEPROM and I ² C | Default |
|--|--|---------------------------------|-------|------------------------------------|--|
| <i>Note: If Port 0 is the NT Port, the NT Port Virtual Interface implements this register. Otherwise, Port 0 implements this register.</i> | | | | | |
| 3:0 | Port Arbitration Table Phase 16 | Upstream Port 0 (refer to Note) | RW | Yes | Value is based upon Negotiated Link Width and Current Link Speed (offset 78h[25:20 and 19:16], respectively) |
| | <i>Reserved</i> | All other Ports | RsvdP | No | 0h |
| 7:4 | Port Arbitration Table Phase 17 | Upstream Port 0 (refer to Note) | RW | Yes | Value is based upon Negotiated Link Width and Current Link Speed (offset 78h[25:20 and 19:16], respectively) |
| | <i>Reserved</i> | All other Ports | RsvdP | No | 0h |
| 11:8 | Port Arbitration Table Phase 18 | Upstream Port 0 (refer to Note) | RW | Yes | Value is based upon Negotiated Link Width and Current Link Speed (offset 78h[25:20 and 19:16], respectively) |
| | <i>Reserved</i> | All other Ports | RsvdP | No | 0h |
| 15:12 | Port Arbitration Table Phase 19 | Upstream Port 0 (refer to Note) | RW | Yes | Value is based upon Negotiated Link Width and Current Link Speed (offset 78h[25:20 and 19:16], respectively) |
| | <i>Reserved</i> | All other Ports | RsvdP | No | 0h |
| 19:16 | Port Arbitration Table Phase 20 | Upstream Port 0 (refer to Note) | RW | Yes | Value is based upon Negotiated Link Width and Current Link Speed (offset 78h[25:20 and 19:16], respectively) |
| | <i>Reserved</i> | All other Ports | RsvdP | No | 0h |
| 23:20 | Port Arbitration Table Phase 21 | Upstream Port 0 (refer to Note) | RW | Yes | Value is based upon Negotiated Link Width and Current Link Speed (offset 78h[25:20 and 19:16], respectively) |
| | <i>Reserved</i> | All other Ports | RsvdP | No | 0h |
| 27:24 | Port Arbitration Table Phase 22 | Upstream Port 0 (refer to Note) | RW | Yes | Value is based upon Negotiated Link Width and Current Link Speed (offset 78h[25:20 and 19:16], respectively) |
| | <i>Reserved</i> | All other Ports | RsvdP | No | 0h |
| 31:28 | Port Arbitration Table Phase 23 | Upstream Port 0 (refer to Note) | RW | Yes | Value is based upon Negotiated Link Width and Current Link Speed (offset 78h[25:20 and 19:16], respectively) |
| | <i>Reserved</i> | All other Ports | RsvdP | No | 0h |

Register 12-54. 1B4h Port Arbitration Table Phases 24 to 31 (Only Upstream Port 0, or NT Port Virtual Interface (if Port 0 is the NT Port); Reserved (RsvdP) for All Other Ports)

| Bit(s) | Description | Ports | Type | Serial EEPROM and I ² C | Default |
|--|--|---------------------------------|-------|------------------------------------|--|
| <i>Note: If Port 0 is the NT Port, the NT Port Virtual Interface implements this register. Otherwise, Port 0 implements this register.</i> | | | | | |
| 3:0 | Port Arbitration Table Phase 24 | Upstream Port 0 (refer to Note) | RW | Yes | Value is based upon Negotiated Link Width and Current Link Speed (offset 78h[25:20 and 19:16], respectively) |
| | <i>Reserved</i> | All other Ports | RsvdP | No | 0h |
| 7:4 | Port Arbitration Table Phase 25 | Upstream Port 0 (refer to Note) | RW | Yes | Value is based upon Negotiated Link Width and Current Link Speed (offset 78h[25:20 and 19:16], respectively) |
| | <i>Reserved</i> | All other Ports | RsvdP | No | 0h |
| 11:8 | Port Arbitration Table Phase 26 | Upstream Port 0 (refer to Note) | RW | Yes | Value is based upon Negotiated Link Width and Current Link Speed (offset 78h[25:20 and 19:16], respectively) |
| | <i>Reserved</i> | All other Ports | RsvdP | No | 0h |
| 15:12 | Port Arbitration Table Phase 27 | Upstream Port 0 (refer to Note) | RW | Yes | Value is based upon Negotiated Link Width and Current Link Speed (offset 78h[25:20 and 19:16], respectively) |
| | <i>Reserved</i> | All other Ports | RsvdP | No | 0h |
| 19:16 | Port Arbitration Table Phase 28 | Upstream Port 0 (refer to Note) | RW | Yes | Value is based upon Negotiated Link Width and Current Link Speed (offset 78h[25:20 and 19:16], respectively) |
| | <i>Reserved</i> | All other Ports | RsvdP | No | 0h |
| 23:20 | Port Arbitration Table Phase 29 | Upstream Port 0 (refer to Note) | RW | Yes | Value is based upon Negotiated Link Width and Current Link Speed (offset 78h[25:20 and 19:16], respectively) |
| | <i>Reserved</i> | All other Ports | RsvdP | No | 0h |
| 27:24 | Port Arbitration Table Phase 30 | Upstream Port 0 (refer to Note) | RW | Yes | Value is based upon Negotiated Link Width and Current Link Speed (offset 78h[25:20 and 19:16], respectively) |
| | <i>Reserved</i> | All other Ports | RsvdP | No | 0h |
| 31:28 | Port Arbitration Table Phase 31 | Upstream Port 0 (refer to Note) | RW | Yes | Value is based upon Negotiated Link Width and Current Link Speed (offset 78h[25:20 and 19:16], respectively) |
| | <i>Reserved</i> | All other Ports | RsvdP | No | 0h |

12.14 Device-Specific Registers (Offsets 1C0h – 51Ch)

This section details the Device-Specific registers located at offsets 1C0h through 51Ch. Device-Specific registers are unique to the PEX 8624 and not referenced in the *PCI Express Base r2.0*. Table 12-16 defines the register map.

Other Device-Specific registers are detailed in Section 12.16, “Device-Specific Registers (Offsets 54Ch – F8Ch).”

Note: It is recommended that these registers not be changed from their default values.

Table 12-16. Device-Specific Register Map (Offsets 1C0h – 51Ch)

| 31 30 29 28 27 26 25 24 23 22 21 20 19 18 17 16 | | | | | | | | | | | | | | | | 15 14 13 12 11 10 9 8 7 6 5 4 3 2 1 0 | | | | | | | | | | | | | | | | | | | | | | | | | | | | | | | | |
|---|--|--|--|--|--|--|--|--|--|--|--|--|--|--|--|---------------------------------------|--|--|--|--|--|--|--|--|--|--|--|--|--|--|--|--|--|--|--|--|--|--|--|--|--|--|--|--|--|--|--|------|
| Device-Specific Registers – Error Checking and Debug (Offsets 1C0h – 1FCh) | | | | | | | | | | | | | | | | | | | | | | | | | | | | | | | | 1C0h | | | | | | | | | | | | | | | | |
| ... | | | | | | | | | | | | | | | | | | | | | | | | | | | | | | | | ... | | | | | | | | | | | | | | | | |
| ... | | | | | | | | | | | | | | | | | | | | | | | | | | | | | | | | 1FCh | | | | | | | | | | | | | | | | |
| Device-Specific Registers – Physical Layer (Offsets 200h – 25Ch) | | | | | | | | | | | | | | | | | | | | | | | | | | | | | | | | 200h | | | | | | | | | | | | | | | | |
| ... | | | | | | | | | | | | | | | | | | | | | | | | | | | | | | | | ... | | | | | | | | | | | | | | | | |
| ... | | | | | | | | | | | | | | | | | | | | | | | | | | | | | | | | 25Ch | | | | | | | | | | | | | | | | |
| Device-Specific Registers – Serial EEPROM (Offsets 260h – 26Ch) | | | | | | | | | | | | | | | | | | | | | | | | | | | | | | | | 260h | | | | | | | | | | | | | | | | |
| ... | | | | | | | | | | | | | | | | | | | | | | | | | | | | | | | | ... | | | | | | | | | | | | | | | | |
| ... | | | | | | | | | | | | | | | | | | | | | | | | | | | | | | | | 26Ch | | | | | | | | | | | | | | | | |
| Device-Specific Registers – Physical Layer (Offsets 270h – 28Ch) | | | | | | | | | | | | | | | | | | | | | | | | | | | | | | | | 270h | | | | | | | | | | | | | | | | |
| ... | | | | | | | | | | | | | | | | | | | | | | | | | | | | | | | | ... | | | | | | | | | | | | | | | | |
| ... | | | | | | | | | | | | | | | | | | | | | | | | | | | | | | | | 28Ch | | | | | | | | | | | | | | | | |
| Device-Specific Registers – I2C Slave Interface (Offsets 290h – 2C4h) | | | | | | | | | | | | | | | | | | | | | | | | | | | | | | | | 290h | | | | | | | | | | | | | | | | |
| ... | | | | | | | | | | | | | | | | | | | | | | | | | | | | | | | | ... | | | | | | | | | | | | | | | | |
| ... | | | | | | | | | | | | | | | | | | | | | | | | | | | | | | | | 2C4h | | | | | | | | | | | | | | | | |
| Device-Specific Registers – Bus Number CAM (Offsets 2C8h – 304h) | | | | | | | | | | | | | | | | | | | | | | | | | | | | | | | | 2C8h | | | | | | | | | | | | | | | | |
| ... | | | | | | | | | | | | | | | | | | | | | | | | | | | | | | | | ... | | | | | | | | | | | | | | | | |
| ... | | | | | | | | | | | | | | | | | | | | | | | | | | | | | | | | 304h | | | | | | | | | | | | | | | | |
| Device-Specific Registers – I/O CAM (Offsets 308h – 344h) | | | | | | | | | | | | | | | | | | | | | | | | | | | | | | | | 308h | | | | | | | | | | | | | | | | |
| ... | | | | | | | | | | | | | | | | | | | | | | | | | | | | | | | | ... | | | | | | | | | | | | | | | | |
| ... | | | | | | | | | | | | | | | | | | | | | | | | | | | | | | | | 344h | | | | | | | | | | | | | | | | |
| Device-Specific Registers – Address-Mapping CAM (Offsets 348h – 444h) | | | | | | | | | | | | | | | | | | | | | | | | | | | | | | | | 348h | | | | | | | | | | | | | | | | |
| ... | | | | | | | | | | | | | | | | | | | | | | | | | | | | | | | | ... | | | | | | | | | | | | | | | | |
| ... | | | | | | | | | | | | | | | | | | | | | | | | | | | | | | | | 444h | | | | | | | | | | | | | | | | |
| Next Capability Offset (950h or 520h) | | | | | | | | | | | | | | | | 1h | | | | | | | | | | | | | | | | PCI Express Extended Capability ID (000Bh) | | | | | | | | | | | | | | | | 448h |
| Device-Specific Registers – Vendor-Specific Dual Cast Extended Capability (Offsets 448h – 51Ch) | | | | | | | | | | | | | | | | | | | | | | | | | | | | | | | | ... | | | | | | | | | | | | | | | | |
| ... | | | | | | | | | | | | | | | | | | | | | | | | | | | | | | | | 51Ch | | | | | | | | | | | | | | | | |

12.14.1 Device-Specific Registers – Error Checking and Debug (Offsets 1C0h – 1FCh)

This section details the Device-Specific Error Checking and Debug registers. [Table 12-17](#) defines the register map.

Table 12-17. Device-Specific Error Checking and Debug Register Map (Ports^a)

| 31 30 29 28 27 26 25 24 23 22 21 20 19 18 17 16 | 15 14 13 12 11 10 9 8 7 6 5 4 3 2 1 0 | |
|---|---------------------------------------|------|
| Device-Specific Error Status for Egress ECC Error | | 1C0h |
| Device-Specific Error Mask for Egress ECC Error | | 1C4h |
| ECC Error Check Disable | | 1C8h |
| Error Handler 32-Bit Error Status | | 1CCh |
| Error Handler 32-Bit Error Mask | | 1D0h |
| <i>Factory Test Only</i> | | 1D4h |
| Clock Enable | | 1D8h |
| Debug Control | <i>Factory Test Only/Reserved</i> | 1DCh |
| Power Management Hot Plug User Configuration | | 1E0h |
| <i>Factory Test Only</i> | | 1E4h |
| Bad TLP Counter | | 1E8h |
| Bad DLLP Counter | | 1ECh |
| <i>Reserved</i> | | 1F0h |
| Station 0/1 Lane Status | | 1F4h |
| ACK Transmission Latency Limit | | 1F8h |
| <i>Factory Test Only</i> | | 1FCh |

a. Certain registers are Port-specific, others are Station-specific or Chip-specific; all are device-specific.

**Register 12-55. 1C0h Device-Specific Error Status for Egress ECC Error
(Only Ports 0, 4, and 8, and also NT Port Virtual Interface if Port 0 is the NT Port)**

| Bit(s) | Description | Type | Serial EEPROM and I ² C | Default |
|---|--|-------|------------------------------------|---------|
| <p>ECC is checked by the egress Port, and any ECC error is reported by the egress Station (containing the egress Port), when that Port reads the Packet data from the ingress Station RAM. <i>For example</i>, when Port 4 receives a packet, the data is stored in Station 1 RAM; then, if the egress Port is in Station 0 and an ECC error is detected when the Port reads the Station 1 RAM, the error is flagged in the Port 0 register bit that reflects Station 1 error status.</p> <p><i>Note:</i> The bits in this register can be masked by their respective Device-Specific Error Mask for Egress ECC Error register bits (Port 0, 4, or 8, and also NT Port Virtual Interface if Port 0 is the NT Port, offset 1C4h).</p> | | | | |
| 0 | <p>Station 0 Payload Link List RAM Instance 0 1-Bit Soft Error Status</p> <p>0 = No 1-bit Soft error is detected 1 = 1-bit Soft error is detected</p> | RW1CS | Yes | 0 |
| 1 | <p>Station 1 Payload Link List RAM Instance 0 1-Bit Soft Error Status</p> <p>0 = No 1-bit Soft error is detected 1 = 1-bit Soft error is detected</p> | RW1CS | Yes | 0 |
| 2 | <p>Station 2 Payload Link List RAM Instance 0 1-Bit Soft Error Status</p> <p>0 = No 1-bit Soft error is detected 1 = 1-bit Soft error is detected</p> | RW1CS | Yes | 0 |
| 3 | <p>Station 0 Payload Link List RAM Instance 0 Read Detected 2-Bit Soft Error Status</p> <p>0 = No 2-bit Soft error is detected 1 = Read detected a 2-bit Soft error</p> | RW1CS | Yes | 0 |
| 4 | <p>Station 1 Payload Link List RAM Instance 0 Read Detected 2-Bit Soft Error Status</p> <p>0 = No 2-bit Soft error is detected 1 = Read detected a 2-bit Soft error</p> | RW1CS | Yes | 0 |
| 5 | <p>Station 2 Payload Link List RAM Instance 0 Read Detected 2-Bit Soft Error Status</p> <p>0 = No 2-bit Soft error is detected 1 = Read detected a 2-bit Soft error</p> | RW1CS | Yes | 0 |
| 6 | <p>Ingress Link List RAM Read Detected 1-Bit ECC Error Status</p> <p>0 = No 1-bit ECC error is detected 1 = Read detected a 1-Bit ECC error</p> | RW1CS | Yes | 0 |
| 7 | <p>Ingress Link List RAM Read Detected 2-Bit ECC Error Status</p> <p>0 = No 2-bit ECC error is detected 1 = Read detected a 2-Bit ECC error</p> | RW1CS | Yes | 0 |

**Register 12-55. 1C0h Device-Specific Error Status for Egress ECC Error
(Only Ports 0, 4, and 8, and also NT Port Virtual Interface if Port 0 is the NT Port) (Cont.)**

| Bit(s) | Description | Type | Serial EEPROM and I ² C | Default |
|--------|--|-------|------------------------------------|---------|
| 8 | Station 0 Packet RAM 0 Instance 0 1-Bit Soft Error Tracking Counter Overflow Detected Status 0 = No 1-Bit Soft Error Tracking Counter overflow is detected 1 = 1-Bit Soft Error Tracking Counter overflow is detected | RW1CS | Yes | 0 |
| 9 | Station 1 Packet RAM 0 Instance 0 1-Bit Soft Error Tracking Counter Overflow Detected Status 0 = No 1-Bit Soft Error Tracking Counter overflow is detected 1 = 1-Bit Soft Error Tracking Counter overflow is detected | RW1CS | Yes | 0 |
| 10 | Station 2 Packet RAM 0 Instance 0 1-Bit Soft Error Tracking Counter Overflow Detected Status 0 = No 1-Bit Soft Error Tracking Counter overflow is detected 1 = 1-Bit Soft Error Tracking Counter overflow is detected | RW1CS | Yes | 0 |
| 11 | Station 0 Packet RAM 0 Instance 1 1-Bit Soft Error Tracking Counter Overflow Detected Status 0 = No 1-Bit Soft Error Tracking Counter overflow is detected 1 = 1-Bit Soft Error Tracking Counter overflow is detected | RW1CS | Yes | 0 |
| 12 | Station 1 Packet RAM 0 Instance 1 1-Bit Soft Error Tracking Counter Overflow Detected Status 0 = No 1-Bit Soft Error Tracking Counter overflow is detected 1 = 1-Bit Soft Error Tracking Counter overflow is detected | RW1CS | Yes | 0 |
| 13 | Station 2 Packet RAM 0 Instance 1 1-Bit Soft Error Tracking Counter Overflow Detected Status 0 = No 1-Bit Soft Error Tracking Counter overflow is detected 1 = 1-Bit Soft Error Tracking Counter overflow is detected | RW1CS | Yes | 0 |
| 14 | Station 0 Packet RAM 0 Instance 0 Read Detected 2-Bit Soft Error Status 0 = No 2-Bit Soft error is detected 1 = Read detected a 2-Bit Soft error | RW1CS | Yes | 0 |
| 15 | Station 1 Packet RAM 0 Instance 0 Read Detected 2-Bit Soft Error Status 0 = No 2-Bit Soft error is detected 1 = Read detected a 2-Bit Soft error | RW1CS | Yes | 0 |

**Register 12-55. 1C0h Device-Specific Error Status for Egress ECC Error
(Only Ports 0, 4, and 8, and also NT Port Virtual Interface if Port 0 is the NT Port) (Cont.)**

| Bit(s) | Description | Type | Serial EEPROM and I ² C | Default |
|--------|--|-------|------------------------------------|---------|
| 16 | Station 2 Packet RAM 0 Instance 0 Read Detected 2-Bit Soft Error Status 0 = No 2-Bit Soft error is detected 1 = Read detected a 2-Bit Soft error | RW1CS | Yes | 0 |
| 17 | Station 0 Packet RAM 0 Instance 1 Read Detected 2-Bit Soft Error Status 0 = No 2-Bit Soft error is detected 1 = Read detected a 2-Bit Soft error | RW1CS | Yes | 0 |
| 18 | Station 1 Packet RAM 0 Instance 1 Read Detected 2-Bit Soft Error Status 0 = No 2-Bit Soft error is detected 1 = Read detected a 2-Bit Soft error | RW1CS | Yes | 0 |
| 19 | Station 2 Packet RAM 0 Instance 1 Read Detected 2-Bit Soft Error Status 0 = No 2-Bit Soft error is detected 1 = Read detected a 2-Bit Soft error | RW1CS | Yes | 0 |
| 20 | Station 0 Packet RAM 1 Instance 0 1-Bit Soft Error Tracking Counter Overflow Detected Status 0 = No 1-Bit Soft Error Tracking Counter overflow is detected 1 = 1-Bit Soft Error Tracking Counter overflow is detected | RW1CS | Yes | 0 |
| 21 | Station 1 Packet RAM 1 Instance 0 1-Bit Soft Error Tracking Counter Overflow Detected Status 0 = No 1-Bit Soft Error Tracking Counter overflow is detected 1 = 1-Bit Soft Error Tracking Counter overflow is detected | RW1CS | Yes | 0 |
| 22 | Station 2 Packet RAM 1 Instance 0 1-Bit Soft Error Tracking Counter Overflow Detected Status 0 = No 1-Bit Soft Error Tracking Counter overflow is detected 1 = 1-Bit Soft Error Tracking Counter overflow is detected | RW1CS | Yes | 0 |
| 23 | Station 0 Packet RAM 1 Instance 1 1-Bit Soft Error Tracking Counter Overflow Detected Status 0 = No 1-Bit Soft Error Tracking Counter overflow is detected 1 = 1-Bit Soft Error Tracking Counter overflow is detected | RW1CS | Yes | 0 |

**Register 12-55. 1C0h Device-Specific Error Status for Egress ECC Error
(Only Ports 0, 4, and 8, and also NT Port Virtual Interface if Port 0 is the NT Port) (Cont.)**

| Bit(s) | Description | Type | Serial EEPROM and I ² C | Default |
|--------|--|-------|------------------------------------|---------|
| 24 | Station 1 Packet RAM 1 Instance 1 1-Bit Soft Error Tracking Counter Overflow Detected Status 0 = No 1-Bit Soft Error Tracking Counter overflow is detected 1 = 1-Bit Soft Error Tracking Counter overflow is detected | RW1CS | Yes | 0 |
| 25 | Station 2 Packet RAM 1 Instance 1 1-Bit Soft Error Tracking Counter Overflow Detected Status 0 = No 1-Bit Soft Error Tracking Counter overflow is detected 1 = 1-Bit Soft Error Tracking Counter overflow is detected | RW1CS | Yes | 0 |
| 26 | Station 0 Packet RAM 1 Instance 0 Read Detected 2-Bit Soft Error Status 0 = No 2-Bit Soft error is detected 1 = Read detected a 2-Bit Soft error | RW1CS | Yes | 0 |
| 27 | Station 1 Packet RAM 1 Instance 0 Read Detected 2-Bit Soft Error Status 0 = No 2-Bit Soft error is detected 1 = Read detected a 2-Bit Soft error | RW1CS | Yes | 0 |
| 28 | Station 2 Packet RAM 1 Instance 0 Read Detected 2-Bit Soft Error Status 0 = No 2-Bit Soft error is detected 1 = Read detected a 2-Bit Soft error | RW1CS | Yes | 0 |
| 29 | Station 0 Packet RAM 1 Instance 1 Read Detected 2-Bit Soft Error Status 0 = No 2-Bit Soft error is detected 1 = Read detected a 2-Bit Soft error | RW1CS | Yes | 0 |
| 30 | Station 1 Packet RAM 1 Instance 1 Read Detected 2-Bit Soft Error Status 0 = No 2-Bit Soft error is detected 1 = Read detected a 2-Bit Soft error | RW1CS | Yes | 0 |
| 31 | Station 2 Packet RAM 1 Instance 1 Read Detected 2-Bit Soft Error Status 0 = No 2-Bit Soft error is detected 1 = Read detected a 2-Bit Soft error | RW1CS | Yes | 0 |

**Register 12-56. 1C4h Device-Specific Error Mask for Egress ECC Error
(Only Ports 0, 4, and 8, and also NT Port Virtual Interface if Port 0 is the NT Port)**

| Bit(s) | Description | Type | Serial EEPROM and I ² C | Default |
|--|--|------|------------------------------------|---------|
| <p><i>Notes: The bits in this register can be used to mask their respective Device-Specific Error Status for Egress ECC Error register bits (Port 0, 4, or 8, and also NT Port Virtual Interface if Port 0 is the NT Port, offset 1C0h).</i></p> <p><i>Bits for Station 0 are valid only in the Port 0 register; bits for Station 1 are valid only in the Port 4 register, and bits for Station 2 are valid only in the Port 8 register. When Port 0 is the NT Port, only those bits for Station 0 are valid in the NT Port Virtual Interface register.</i></p> | | | | |
| 0 | <p>Station 0 Payload Link List RAM Instance 0 1-Bit Soft Error Mask</p> <p>0 = No effect on reporting activity 1 = <i>Station 0 Payload Link List RAM Instance 0 1-Bit Soft Error Status</i> bit is masked/disabled</p> | RWS | Yes | 1 |
| 1 | <p>Station 1 Payload Link List RAM Instance 0 1-Bit Soft Error Mask</p> <p>0 = No effect on reporting activity 1 = <i>Station 1 Payload Link List RAM Instance 0 1-Bit Soft Error Status</i> bit is masked/disabled</p> | RWS | Yes | 1 |
| 2 | <p>Station 2 Payload Link List RAM Instance 0 1-Bit Soft Error Mask</p> <p>0 = No effect on reporting activity 1 = <i>Station 2 Payload Link List RAM Instance 0 1-Bit Soft Error Status</i> bit is masked/disabled</p> | RWS | Yes | 1 |
| 3 | <p>Station 0 Payload Link List RAM Instance 0 Read Detected 2-Bit Soft Error Mask</p> <p>0 = No effect on reporting activity 1 = <i>Station 0 Payload Link List RAM Instance 0 Read Detected 2-Bit Soft Error Status</i> bit is masked/disabled</p> | RWS | Yes | 1 |
| 4 | <p>Station 1 Payload Link List RAM Instance 0 Read Detected 2-Bit Soft Error Mask</p> <p>0 = No effect on reporting activity 1 = <i>Station 1 Payload Link List RAM Instance 0 Read Detected 2-Bit Soft Error Status</i> bit is masked/disabled</p> | RWS | Yes | 1 |
| 5 | <p>Station 2 Payload Link List RAM Instance 0 Read Detected 2-Bit Soft Error Mask</p> <p>0 = No effect on reporting activity 1 = <i>Station 2 Payload Link List RAM Instance 0 Read Detected 2-Bit Soft Error Status</i> bit is masked/disabled</p> | RWS | Yes | 1 |
| 6 | <p>Ingress Link List RAM Read Detected 1-Bit ECC Error Mask</p> <p>0 = No effect on reporting activity 1 = <i>Ingress Link List RAM Read Detected 1-Bit ECC Error Status</i> bit is masked/disabled</p> | RWS | Yes | 1 |
| 7 | <p>Ingress Link List RAM Read Detected 2-Bit ECC Error Mask</p> <p>0 = No effect on reporting activity 1 = <i>Ingress Link List RAM Read Detected 2-Bit ECC Error Status</i> bit is masked/disabled</p> | RWS | Yes | 1 |

**Register 12-56. 1C4h Device-Specific Error Mask for Egress ECC Error
(Only Ports 0, 4, and 8, and also NT Port Virtual Interface if Port 0 is the NT Port) (Cont.)**

| Bit(s) | Description | Type | Serial EEPROM and I ² C | Default |
|--------|--|------|------------------------------------|---------|
| 8 | Station 0 Packet RAM 0 Instance 0 1-Bit Soft Error Tracking Counter Overflow Detected Mask 0 = No effect on reporting activity 1 = <i>Station 0 Packet RAM 0 Instance 0 1-Bit Soft Error Tracking Counter Overflow Detected Status</i> bit is masked/disabled | RWS | Yes | 1 |
| 9 | Station 1 Packet RAM 0 Instance 0 1-Bit Soft Error Tracking Counter Overflow Detected Mask 0 = No effect on reporting activity 1 = <i>Station 1 Packet RAM 0 Instance 0 1-Bit Soft Error Tracking Counter Overflow Detected Status</i> bit is masked/disabled | RWS | Yes | 1 |
| 10 | Station 2 Packet RAM 0 Instance 0 1-Bit Soft Error Tracking Counter Overflow Detected Mask 0 = No effect on reporting activity 1 = <i>Station 2 Packet RAM 0 Instance 0 1-Bit Soft Error Tracking Counter Overflow Detected Status</i> bit is masked/disabled | RWS | Yes | 1 |
| 11 | Station 0 Packet RAM 0 Instance 1 1-Bit Soft Error Tracking Counter Overflow Detected Mask 0 = No effect on reporting activity 1 = <i>Station 0 Packet RAM 0 Instance 1 1-Bit Soft Error Tracking Counter Overflow Detected Status</i> bit is masked/disabled | RWS | Yes | 1 |
| 12 | Station 1 Packet RAM 0 Instance 1 1-Bit Soft Error Tracking Counter Overflow Detected Mask 0 = No effect on reporting activity 1 = <i>Station 1 Packet RAM 0 Instance 1 1-Bit Soft Error Tracking Counter Overflow Detected Status</i> bit is masked/disabled | RWS | Yes | 1 |
| 13 | Station 2 Packet RAM 0 Instance 1 1-Bit Soft Error Tracking Counter Overflow Detected Mask 0 = No effect on reporting activity 1 = <i>Station 2 Packet RAM 0 Instance 1 1-Bit Soft Error Tracking Counter Overflow Detected Status</i> bit is masked/disabled | RWS | Yes | 1 |
| 14 | Station 0 Packet RAM 0 Instance 0 Read Detected 2-Bit Soft Error Mask 0 = No effect on reporting activity 1 = <i>Station 0 Packet RAM 0 Instance 0 Read Detected 2-Bit Soft Error Status</i> bit is masked/disabled | RWS | Yes | 1 |
| 15 | Station 1 Packet RAM 0 Instance 0 Read Detected 2-Bit Soft Error Mask 0 = No effect on reporting activity 1 = <i>Station 1 Packet RAM 0 Instance 0 Read Detected 2-Bit Soft Error Status</i> bit is masked/disabled | RWS | Yes | 1 |

**Register 12-56. 1C4h Device-Specific Error Mask for Egress ECC Error
(Only Ports 0, 4, and 8, and also NT Port Virtual Interface if Port 0 is the NT Port) (Cont.)**

| Bit(s) | Description | Type | Serial EEPROM and I ² C | Default |
|--------|--|------|------------------------------------|---------|
| 16 | Station 2 Packet RAM 0 Instance 0 Read Detected 2-Bit Soft Error Mask 0 = No effect on reporting activity 1 = <i>Station 2 Packet RAM 0 Instance 0 Read Detected 2-Bit Soft Error Status</i> bit is masked/disabled | RWS | Yes | 1 |
| 17 | Station 0 Packet RAM 0 Instance 1 Read Detected 2-Bit Soft Error Mask 0 = No effect on reporting activity 1 = <i>Station 0 Packet RAM 0 Instance 1 Read Detected 2-Bit Soft Error Status</i> bit is masked/disabled | RWS | Yes | 1 |
| 18 | Station 1 Packet RAM 0 Instance 1 Read Detected 2-Bit Soft Error Mask 0 = No effect on reporting activity 1 = <i>Station 1 Packet RAM 0 Instance 1 Read Detected 2-Bit Soft Error Status</i> bit is masked/disabled | RWS | Yes | 1 |
| 19 | Station 2 Packet RAM 0 Instance 1 Read Detected 2-Bit Soft Error Mask 0 = No effect on reporting activity 1 = <i>Station 2 Packet RAM 0 Instance 1 Read Detected 2-Bit Soft Error Status</i> bit is masked/disabled | RWS | Yes | 1 |
| 20 | Station 0 Packet RAM 1 Instance 0 1-Bit Soft Error Tracking Counter Overflow Detected Mask 0 = No effect on reporting activity 1 = <i>Station 0 Packet RAM 1 Instance 0 1-Bit Soft Error Tracking Counter Overflow Detected Status</i> bit is masked/disabled | RWS | Yes | 1 |
| 21 | Station 1 Packet RAM 1 Instance 0 1-Bit Soft Error Tracking Counter Overflow Detected Mask 0 = No effect on reporting activity 1 = <i>Station 1 Packet RAM 1 Instance 0 1-Bit Soft Error Tracking Counter Overflow Detected Status</i> bit is masked/disabled | RWS | Yes | 1 |
| 22 | Station 2 Packet RAM 1 Instance 0 1-Bit Soft Error Tracking Counter Overflow Detected Mask 0 = No effect on reporting activity 1 = <i>Station 2 Packet RAM 1 Instance 0 1-Bit Soft Error Tracking Counter Overflow Detected Status</i> bit is masked/disabled | RWS | Yes | 1 |
| 23 | Station 0 Packet RAM 1 Instance 1 1-Bit Soft Error Tracking Counter Overflow Detected Mask 0 = No effect on reporting activity 1 = <i>Station 0 Packet RAM 1 Instance 1 1-Bit Soft Error Tracking Counter Overflow Detected Status</i> bit is masked/disabled | RWS | Yes | 1 |

**Register 12-56. 1C4h Device-Specific Error Mask for Egress ECC Error
(Only Ports 0, 4, and 8, and also NT Port Virtual Interface if Port 0 is the NT Port) (Cont.)**

| Bit(s) | Description | Type | Serial EEPROM and I ² C | Default |
|--------|--|------|------------------------------------|---------|
| 24 | Station 1 Packet RAM 1 Instance 1 1-Bit Soft Error Tracking Counter Overflow Detected Mask 0 = No effect on reporting activity 1 = <i>Station 1 Packet RAM 1 Instance 1 1-Bit Soft Error Tracking Counter Overflow Detected Status</i> bit is masked/disabled | RWS | Yes | 1 |
| 25 | Station 2 Packet RAM 1 Instance 1 1-Bit Soft Error Tracking Counter Overflow Detected Mask 0 = No effect on reporting activity 1 = <i>Station 2 Packet RAM 1 Instance 1 1-Bit Soft Error Tracking Counter Overflow Detected Status</i> bit is masked/disabled | RWS | Yes | 1 |
| 26 | Station 0 Packet RAM 1 Instance 0 Read Detected 2-Bit Soft Error Mask 0 = No effect on reporting activity 1 = <i>Station 0 Packet RAM 1 Instance 0 Read Detected 2-Bit Soft Error Status</i> bit is masked/disabled | RWS | Yes | 1 |
| 27 | Station 1 Packet RAM 1 Instance 0 Read Detected 2-Bit Soft Error Mask 0 = No effect on reporting activity 1 = <i>Station 1 Packet RAM 1 Instance 0 Read Detected 2-Bit Soft Error Status</i> bit is masked/disabled | RWS | Yes | 1 |
| 28 | Station 2 Packet RAM 1 Instance 0 Read Detected 2-Bit Soft Error Mask 0 = No effect on reporting activity 1 = <i>Station 2 Packet RAM 1 Instance 0 Read Detected 2-Bit Soft Error Status</i> bit is masked/disabled | RWS | Yes | 1 |
| 29 | Station 0 Packet RAM 1 Instance 1 Read Detected 2-Bit Soft Error Mask 0 = No effect on reporting activity 1 = <i>Station 0 Packet RAM 1 Instance 1 Read Detected 2-Bit Soft Error Status</i> bit is masked/disabled | RWS | Yes | 1 |
| 30 | Station 1 Packet RAM 1 Instance 1 Read Detected 2-Bit Soft Error Mask 0 = No effect on reporting activity 1 = <i>Station 1 Packet RAM 1 Instance 1 Read Detected 2-Bit Soft Error Status</i> bit is masked/disabled | RWS | Yes | 1 |
| 31 | Station 2 Packet RAM 1 Instance 1 Read Detected 2-Bit Soft Error Mask 0 = No effect on reporting activity 1 = <i>Station 2 Packet RAM 1 Instance 1 Read Detected 2-Bit Soft Error Status</i> bit is masked/disabled | RWS | Yes | 1 |

Register 12-57. 1C8h ECC Error Check Disable (All Ports)

| Bit(s) | Description | Ports | Type | Serial EEPROM and I ² C | Default |
|--------|---|---|-------|------------------------------------|---------|
| 0 | ECC 1-Bit Error Check Disable 0 = RAM 1-Bit Soft Error Check enabled 1 = Disables RAM 1-Bit Soft Error Check | 0 | RWS | Yes | 0 |
| 1 | ECC 2-Bit Error Check Disable 0 = RAM 2-Bit Soft Error Check enabled 1 = Disables RAM 2-Bit Soft Error Check | 0 | RWS | Yes | 0 |
| 2 | Software Force Error Enable 1 = Correctable Error Status and Uncorrectable Error Status registers (offsets FC4h and FB8h, respectively) change from RW1CS to RW | | RWS | Yes | 0 |
| 3 | Software Force Non-Posted Request Used to select software-forced errors to be associated with Posted or Non-Posted TLPs, because some errors are handled differently, depending upon the TLP type (Posted or Non-Posted). 0 = Handle software-forced errors as if the errors are associated with Posted TLPs 1 = Enables handling of errors associated with Posted TLPs as if those errors are associated with Non-Posted TLPs | | RWS | Yes | 0 |
| 4 | Enable PEX_INTA# Interrupt Output(s) for Hot Plug or Link State Event-Triggered Interrupts 0 = Hot Plug or Link State Event Interrupt Requests send an INTx Message (and do not assert PEX_INTA#) 1 = Hot Plug or Link State Event Interrupt Requests assert PEX_INTA# (and do not send an INTx Message) | | RWS | Yes | 0 |
| | Enable PEX_INTA# Interrupt Output(s) for Device-Specific Error- and Event-Triggered Interrupts <i>Note: For further details, refer to Section 9.1.1, “Interrupt Sources or Events.”</i> | | | | |
| 5 | Enables PEX_INTA# or INTx interrupt signaling for the RAM ECC errors defined in the Device-Specific Error Status for Egress ECC Error , Device-Specific Error Mask for Egress ECC Error , Error Handler 32-Bit Error Status , and Error Handler 32-Bit Error Mask registers (Port 0, 4, or 8, and also NT Port Virtual Interface if Port 0 is the NT Port, unless noted otherwise, offsets 1C0h, 1C4h, 1CCh, and 1D0h, respectively). 0 = Device-Specific Error and Event Interrupt Requests send an INTx Message (and do not assert PEX_INTA#) 1 = Device-Specific Error and Event Interrupt Requests assert PEX_INTA# (and do not send an INTx Message) | 0 | RWS | Yes | 0 |
| | Also enables PEX_INTA# or INTx interrupt signaling for the errors defined in the Link Error Status Virtual and Link Error Mask Virtual registers (NT Port Virtual Interface, offsets FE0h and FE4h, respectively). 0 = Device-Specific Error and Event Interrupt Requests send an INTx Message (and do not assert PEX_INTA#) 1 = Device-Specific Error and Event Interrupt Requests assert PEX_INTA# (and do not send an INTx Message) | NT Port Virtual Interface, or Port 0 if Port 0 is the NT Port | RWS | Yes | 0 |
| | Reserved | Otherwise | RsvdP | No | 0 |

Register 12-57. 1C8h ECC Error Check Disable (All Ports) (Cont.)

| Bit(s) | Description | Ports | Type | Serial EEPROM and I ² C | Default |
|--------|--|---|-------|------------------------------------|---------|
| 6 | <p>Enable PEX_INTA# Interrupt Output(s) for GPIO-Generated Interrupts</p> <p>0 = General-Purpose Input/Output (GPIO) Interrupt Requests send an INTx Message (and do not assert PEX_INTA#)</p> <p>1 = GPIO Interrupt Requests assert PEX_INTA# (and do not send an INTx Message)</p> | | RWS | Yes | 0 |
| 7 | <p>Enable PEX_INTA# Interrupt Output(s) for NT-Virtual Doorbell-Generated Interrupts</p> <p><i>This bit is valid only in NT mode.</i></p> <p>Enables either PEX_INTA# or INTx Messages for NT-Virtual Doorbell interrupts (NT Port Virtual Interface, offsets C4Ch through C58h).</p> <p>0 = NT-Virtual Doorbell Interrupt Requests send an INTx Message (and do not assert PEX_INTA#)</p> <p>1 = NT-Virtual Doorbell Interrupt Requests assert PEX_INTA# (and do not send an INTx Message)</p> | NT Port Virtual Interface, or Port 0 if Port 0 is the NT Port | RWS | Yes | 0 |
| | <i>Reserved</i> | Otherwise | RsvdP | No | 0 |
| 8 | <p>Disable Sending MSI if MSI Is Enabled after Interrupt Status Set</p> <p>0 = Does not disable sending an MSI, if MSIs are enabled after an <i>Interrupt Status</i> bit is Set</p> <p>1 = Disables sending an MSI, if MSIs are enabled after an <i>Interrupt Status</i> bit is Set</p> <p><i>Note: This bit must remain Cleared, for compliance to specifications governing the MSI Capability.</i></p> | | RWS | Yes | 0 |
| 31:9 | <i>Reserved</i> | | RsvdP | No | 0-0h |

Register 12-58. 1CCh Error Handler 32-Bit Error Status (Only Ports 0, 4, and 8, and also NT Port Virtual Interface if Port 0 is the NT Port)

| Bit(s) | Description | Ports | Type | Serial EEPROM and I ² C | Default |
|---|--|-------|-------|------------------------------------|---------|
| <p><i>Notes: All errors in this register generate MSI/INTx interrupts, if enabled.</i></p> <p><i>The bits in this register can be masked by their respective Error Handler 32-Bit Error Mask register bits (Port 0, 4, or 8, and also NT Port Virtual Interface if Port 0 is the NT Port, offset 1D0h, with the exception of bit 0, which is in all Ports).</i></p> <p><i>Bits for Station 0 are valid only in the Port 0 register; bits for Station 1 are valid only in the Port 4 register; and bits for Station 2 are valid only in the Port 8 register. When Port 0 is the NT Port, only those bits for Station 0 are valid in the NT Port Virtual Interface register.</i></p> | | | | | |
| 0 | Completion FIFO Overflow Status 0 = No overflow is detected 1 = Completion FIFO Overflow is detected when a 4-deep Completion FIFO for ingress, or a 1-deep Completion FIFO for egress, overflows | All | RW1CS | Yes | 0 |
| 1 | Reserved | | RsvdP | No | 0 |
| 2 | Factory Test Only | | RW1CS | No | 0 |
| 3 | Reserved | | RsvdP | No | 0 |
| 4 | Destination Queue Link List RAM 2-Bit Error 0 = No error is detected 1 = Destination Queue Link List RAM 2-bit error is detected | | RW1CS | Yes | 0 |
| 5 | Reserved | | RsvdP | No | 0 |
| 6 | Destination Queue Link List RAM 1-Bit Error Counter Overflow 0 = No error is detected 1 = Destination Queue Link List RAM 1-bit error is detected | | RW1CS | Yes | 0 |
| 7 | Reserved | | RsvdP | No | 0 |
| 8 | Source Queue Link List RAM 1-Bit Error Counter Overflow 0 = No error is detected 1 = Source Queue Link List RAM 1-bit error is detected | | RW1CS | Yes | 0 |
| 9 | Source Queue Link List RAM 2-Bit Error 0 = No error is detected 1 = Source Queue Link List RAM 2-bit error is detected | | RW1CS | Yes | 0 |
| 10 | 32 Entry Retry Buffer 1-Bit Error Counter Overflow 0 = No error is detected 1 = Retry Buffer 1-bit error is detected | | RW1CS | Yes | 0 |
| 11 | 32 Entry Retry Buffer 2-Bit ECC Error 0 = No error is detected 1 = Retry Buffer 2-bit error is detected | | RW1CS | Yes | 0 |

Register 12-58. 1CCh Error Handler 32-Bit Error Status (Only Ports 0, 4, and 8, and also NT Port Virtual Interface if Port 0 is the NT Port) (Cont.)

| Bit(s) | Description | Ports | Type | Serial EEPROM and I ² C | Default |
|--------|---|-------|-------|------------------------------------|---------|
| 19:12 | <i>Reserved</i> | | RsvdP | No | 0-0h |
| 20 | TLP ID RAM 2-Bit ECC Error for Station 0 0 = No error is detected 1 = TLP ID RAM 2-bit ECC error is detected | | RW1CS | Yes | 0 |
| 21 | TLP ID RAM 2-Bit ECC Error for Station 1 0 = No error is detected 1 = TLP ID RAM 2-bit ECC error is detected | | RW1CS | Yes | 0 |
| 22 | TLP ID RAM 2-Bit ECC Error for Station 2 0 = No error is detected 1 = TLP ID RAM 2-bit ECC error is detected | | RW1CS | Yes | 0 |
| 23 | <i>Reserved</i> | | RsvdP | No | 0 |
| 24 | TLP ID RAM 1-Bit ECC Error Counter Overflow for Station 0 0 = No error is detected 1 = TLP ID RAM 1-bit ECC Error Counter overflow is detected | | RW1CS | Yes | 0 |
| 25 | TLP ID RAM 1-Bit ECC Error Counter Overflow for Station 1 0 = No error is detected 1 = TLP ID RAM 1-bit ECC Error Counter overflow is detected | | RW1CS | Yes | 0 |
| 26 | TLP ID RAM 1-Bit ECC Error Counter Overflow for Station 2 0 = No error is detected 1 = TLP ID RAM 1-bit ECC Error Counter overflow is detected | | RW1CS | Yes | 0 |
| 31:27 | <i>Reserved</i> | | RsvdP | No | 0-0h |

Register 12-59. 1D0h Error Handler 32-Bit Error Mask (Only Ports 0, 4, and 8, and also NT Port Virtual Interface if Port 0 is the NT Port)

| Bit(s) | Description | Ports | Type | Serial EEPROM and I ² C | Default |
|---|---|-------|-------|------------------------------------|---------|
| <p><i>Notes: Error logging is enabled in this register, by default.</i></p> <p><i>The bits in this register can be used to mask their respective Error Handler 32-Bit Error Status register bits (Port 0, 4, or 8, and also NT Port Virtual Interface if Port 0 is the NT Port, offset 1CCh, with the exception of bit 0, which is in all Ports).</i></p> <p><i>Bits for Station 0 are valid only in the Port 0 register; bits for Station 1 are valid only in the Port 4 register; and bits for Station 2 are valid only in the Port 8 register. When Port 0 is the NT Port, only those bits for Station 0 are valid in the NT Port Virtual Interface register.</i></p> | | | | | |
| 0 | Completion FIFO Overflow Mask 0 = If enabled, error generates MSI/INTx interrupt 1 = <i>Completion FIFO Overflow Status</i> bit is masked/disabled | All | RWS | Yes | 1 |
| 1 | <i>Reserved</i> | | RsvdP | No | 0 |
| 2 | <i>Factory Test Only</i> | | RWS | Yes | 1 |
| 3 | <i>Reserved</i> | | RsvdP | No | 0 |
| 4 | Destination Queue Link List RAM 2-Bit Error Mask 0 = No effect on reporting activity 1 = <i>Destination Queue Link List RAM 2-Bit Error</i> bit is masked/disabled | | RWS | Yes | 1 |
| 5 | <i>Reserved</i> | | RsvdP | No | 0 |
| 6 | Destination Queue Link List RAM 1-Bit Error Counter Overflow Mask 0 = No effect on reporting activity 1 = <i>Destination Queue Link List RAM 1-Bit Error Counter Overflow</i> bit is masked/disabled | | RWS | Yes | 1 |
| 7 | <i>Reserved</i> | | RsvdP | No | 0 |
| 8 | Source Queue Link List RAM 1-Bit Error Counter Overflow Mask 0 = No effect on reporting activity 1 = <i>Source Queue Link List RAM 1-Bit Error Counter Overflow</i> bit is masked/disabled | | RWS | Yes | 1 |
| 9 | Source Queue Link List RAM 2-Bit Error Mask 0 = No effect on reporting activity 1 = <i>Source Queue Link List RAM 2-Bit Error</i> bit is masked/disabled | | RWS | Yes | 1 |
| 10 | 32 Entry Retry Buffer 1-Bit Error Counter Overflow Mask 0 = No effect on reporting activity 1 = <i>32 Entry Retry Buffer 1-Bit Error Counter Overflow</i> bit is masked/disabled | | RWS | Yes | 1 |
| 11 | 32 Entry Retry Buffer 2-Bit ECC Error Mask 0 = No effect on reporting activity 1 = <i>32 Entry Retry Buffer 2-Bit ECC Error</i> bit is masked/disabled | | RWS | Yes | 1 |

Register 12-59. 1D0h Error Handler 32-Bit Error Mask (Only Ports 0, 4, and 8, and also NT Port Virtual Interface if Port 0 is the NT Port) (Cont.)

| Bit(s) | Description | Ports | Type | Serial EEPROM and I ² C | Default |
|--------|---|-------|-------|------------------------------------|---------|
| 19:12 | <i>Reserved</i> | | RsvdP | No | 0-0h |
| 20 | TLP ID RAM 2-Bit ECC Error Mask for Station 0 0 = No effect on reporting activity 1 = <i>TLP ID RAM 2-Bit ECC Error for Station 0</i> bit is masked/disabled | | RWS | Yes | 1 |
| 21 | TLP ID RAM 2-Bit ECC Error Mask for Station 1 0 = No effect on reporting activity 1 = <i>TLP ID RAM 2-Bit ECC Error for Station 1</i> bit is masked/disabled | | RWS | Yes | 1 |
| 22 | TLP ID RAM 2-Bit ECC Error Mask for Station 2 0 = No effect on reporting activity 1 = <i>TLP ID RAM 2-Bit ECC Error for Station 2</i> bit is masked/disabled | | RWS | Yes | 1 |
| 23 | <i>Reserved</i> | | RsvdP | No | 0 |
| 24 | TLP ID RAM 1-Bit ECC Error Counter Overflow Mask for Station 0 0 = No effect on reporting activity 1 = <i>TLP ID RAM 1-Bit ECC Error Counter Overflow for Station 0</i> bit is masked/disabled | | RWS | Yes | 1 |
| 25 | TLP ID RAM 1-Bit ECC Error Counter Overflow Mask for Station 1 0 = No effect on reporting activity 1 = <i>TLP ID RAM 1-Bit ECC Error Counter Overflow for Station 1</i> bit is masked/disabled | | RWS | Yes | 1 |
| 26 | TLP ID RAM 1-Bit ECC Error Counter Overflow Mask for Station 2 0 = No effect on reporting activity 1 = <i>TLP ID RAM 1-Bit ECC Error Counter Overflow for Station 2</i> bit is masked/disabled | | RWS | Yes | 1 |
| 31:27 | <i>Reserved</i> | | RsvdP | No | 0-0h |

Register 12-60. 1D8h Clock Enable (Only Port 0, and also NT Port Virtual Interface if Port 0 is the NT Port)

| Bit(s) | Description | Type | Serial EEPROM and I ² C | Default |
|--|---|-------|------------------------------------|--|
| <p>Ports and Stations are automatically enabled, according to the Port configuration defined by the STRAP_STNx_PORTCFGx inputs, which can be overridden by programming the Port Configuration register <i>Port Configuration for Station x</i> bits (Port 0, and also NT Port Virtual Interface if Port 0 is the NT Port, offset 574h[5:0]).</p> <p>An enabled Port can be selectively disabled, however, by Clearing the Port's <i>Port x Clock Enable</i> bit in this register. Port 0 must always remain enabled, and Ports 4 and 8 (containing Station registers) must remain enabled, if other Ports in the respective Stations are enabled.</p> | | | | |
| 0 | Port 0 Clock Enable 0 = Disables 1 = Enables | RWS | Yes | 1 |
| 1 | Port 1 Clock Enable 0 = Disables 1 = Enables | RWS | Yes | Set by STRAP_STN0_PORTCFG1 input level, or by serial EEPROM value for the Port Configuration register <i>Port Configuration for Station 0</i> field (Port 0, and also NT Port Virtual Interface if Port 0 is the NT Port, offset 574h[1:0]) |
| 3:2 | Factory Test Only | RsvdP | No | 00b |
| 4 | Port 4 Clock Enable 0 = Disables 1 = Enables | RWS | Yes | 1 |
| 5 | Port 5 Clock Enable 0 = Disables 1 = Enables | RWS | Yes | Set by STRAP_STN1_PORTCFG0 input level, or by serial EEPROM value for the Port Configuration register <i>Port Configuration for Station 1</i> field (Port 0, and also NT Port Virtual Interface if Port 0 is the NT Port, offset 574h[3:2]) |
| 6 | Port 6 Clock Enable 0 = Disables 1 = Enables | RWS | Yes | Set by STRAP_STN1_PORTCFG0 input level, or by serial EEPROM value for the Port Configuration register <i>Port Configuration for Station 1</i> field (Port 0, and also NT Port Virtual Interface if Port 0 is the NT Port, offset 574h[3:2]) |
| 7 | Factory Test Only | RsvdP | No | 0 |
| 8 | Port 8 Clock Enable 0 = Disables 1 = Enables | RWS | Yes | Set by STRAP_STN2_PORTCFG1 input level, or by serial EEPROM value for the Port Configuration register <i>Port Configuration for Station 2</i> field (Port 0, and also NT Port Virtual Interface if Port 0 is the NT Port, offset 574h[5:4]) |
| 9 | Port 9 Clock Enable 0 = Disables 1 = Enables | RWS | Yes | Set by STRAP_STN2_PORTCFG1 input level, or by serial EEPROM value for the Port Configuration register <i>Port Configuration for Station 2</i> field (Port 0, and also NT Port Virtual Interface if Port 0 is the NT Port, offset 574h[5:4]) |
| 11:10 | Factory Test Only | RsvdP | No | 00b |

**Register 12-60. 1D8h Clock Enable (Only Port 0,
and also NT Port Virtual Interface if Port 0 is the NT Port) (Cont.)**

| Bit(s) | Description | Type | Serial EEPROM and I ² C | Default |
|--------|------------------------------------|-------|------------------------------------|--|
| 12 | Station 1 Root Clock Enable | RWS | Yes | 1 |
| 13 | Station 2 Root Clock Enable | RWS | Yes | Set by STRAP_STN2_PORTCFG1 input level, or by serial EEPROM value for the Port Configuration register <i>Port Configuration for Station 2</i> field (Port 0, and also NT Port Virtual Interface if Port 0 is the NT Port, offset 574h[5:4]) |
| 31:14 | Reserved | RsvdP | No | 0-0h |

Register 12-61. 1DCh Debug Control (Only Port 0, and also NT Port Virtual Interface if Port 0 is the NT Port)

| Bit(s) | Description | Type | Serial EEPROM and I ² C | Default | |
|---|--|-----------------|------------------------------------|--|------------------------------|
| | | | | Transparent Mode (STRAP_NT_ENABLE#=H) | NT Mode (STRAP_NT_ENABLE#=L) |
| <p><i>Note:</i> If this register is programmed by the serial EEPROM, it must be programmed twice by the first two serial EEPROM entries, at locations 4h through 9h, and Ah through Fh, as listed in Table 6-1, “Serial EEPROM Data.” The first entry must Set Factory Test Only bit 7, to enable Writes to certain fields within the register, and the second entry must Clear bit 7; all other bit values must be identical in both entries. If Port 0 is the NT Port, this register is loaded from the NT Port Virtual Interface register offset 1DCh location in the serial EEPROM.</p> | | | | | |
| 3:0 | Factory Test Only | RO | No | Fh | |
| 6:4 | Reserved | RsvdP | No | 000b | |
| 7 | Factory Test Only | RWS | Yes | 0 | |
| 11:8 | <p>Upstream Port ID Upstream Port Number – Reads the external Strap value on the STRAP_UPSTRM_PORTSEL[3:0] balls, at Reset de-assertion. When bit 15 (<i>Hardware/Software Configuration Mode Control</i>) is Cleared, software is not allowed to change this value.</p> | RO | Yes | Set by STRAP_UPSTRM_PORTSEL[3:0] input levels or by serial EEPROM, or by I ² C followed by a Soft Reset | |
| | <p>When bit 15 (<i>Hardware/Software Configuration Mode Control</i>) is Set, Upstream Port Number can be Set by software. 0h = Port 0 (recommended) 1h = Port 1 4h = Port 4 5h = Port 5 6h = Port 6 8h = Port 8 9h = Port 9 All other encodings are <i>reserved</i>.</p> | RW ^a | Yes | | |

Register 12-61. 1DCh Debug Control (Only Port 0, and also NT Port Virtual Interface if Port 0 is the NT Port) (Cont.)

| Bit(s) | Description | Type | Serial EEPROM and I ² C | Default | |
|--------|---|------|------------------------------------|---------------------------------------|------------------------------|
| | | | | Transparent Mode (STRAP_NT_ENABLE#=H) | NT Mode (STRAP_NT_ENABLE#=L) |
| 13:12 | <p>Interrupt Fencing Mode Select</p> <p>Mode 1 (Default)</p> <ol style="list-style-type: none"> When the PEX 8624 receives a packet with a Fatal error (Malformed, DLL Protocol error) from an external device, the switch logs the Header on the corresponding Port, sends a Fatal Error Message to the Host, then asserts FATAL_ERR#. When the PEX 8624 detects an internal Fatal error (ECC failure, Credit Overflow, Receiver Overflow, Surprise Link Down), the switch sends a Fatal Interrupt Message to the Host and asserts FATAL_ERR#. In certain situations, delivery of the interrupt is not guaranteed; however, the signal is always asserted upon a Fatal event. <p>Mode 2 (Generate Internal Reset)</p> <p>Upon Fatal error (internal or external) detection, an internal Chip Level reset is asserted (equivalent to an In-Band Reset from the upstream Port). No Error Messages are generated, and no attempt is made to block packets in transit.</p> <p>Mode 3 (Block All Packet Transmission)</p> <p>Upon Fatal error (internal or external) detection, the Port logs the error in the Uncorrectable Error Status register (offset FB8h), then asserts FATAL_ERR#. This Fatal error detection blocks all the Ports from sending out TLPs. No Error Messages are generated. If a packet is already in transmission, an EDB is inserted to cancel the packet.</p> <p>Mode 4 (Block All Packet Transmission and Create Surprise Down)</p> <p>In addition to the Mode 3 actions, the PEX 8624 forces the upstream Link to go down, thus causing a Surprise Down event on the Link, so that the Host is notified.</p> <p>00b = Mode 1 (default) 01b = Mode 2 – Generate Internal Reset 10b = Mode 3 – Block All Packet Transmission 11b = Mode 4 – Block All Packet Transmission and Create Surprise Down</p> | RWS | Yes | 00b | |

Register 12-61. 1DCh Debug Control (Only Port 0, and also NT Port Virtual Interface if Port 0 is the NT Port) (Cont.)

| Bit(s) | Description | Type | Serial EEPROM and I ² C | Default | |
|--------|---|--------|------------------------------------|---|------------------------------|
| | | | | Transparent Mode (STRAP_NT_ENABLE#=H) | NT Mode (STRAP_NT_ENABLE#=L) |
| 14 | Factory Test Only | RWS | Yes | 0 | |
| 15 | <p>Hardware/Software Configuration Mode Control Allows software to configure which Port is the upstream Port, as well as which Port is the NT Port.</p> <p>0 = Upstream Port and NT Port selection by the STRAP_UPSTRM_PORTSEL[3:0] and STRAP_NT_UPSTRM_PORTSEL[1:0] inputs, respectively, which can be overridden by the serial EEPROM and/or I²C configuration mechanism. Cannot be changed by in-band software during runtime.</p> <p>1 = In-band software can change which Port is configured to be the upstream Port and NT Port, by writing new values to fields [11:8 and 25:24] (<i>Upstream Port ID</i> and <i>NT Port Number</i>, respectively), followed by issuance of a Hot Reset to the upstream Port. Bit 20 (<i>Upstream Port and NT-Link DL_Down Reset Propagation Disable</i>) must be Cleared.</p> | RWS | Yes | 0 | |
| 16 | <p>Upstream Hot Reset Control 0 = Reset all logic, except Sticky bits and Device-Specific registers 1 = Reset only the Configuration Space registers of all Ports defined by the <i>PCI Express Base r2.0</i></p> <p><i>Note: Only a Fundamental Reset serial EEPROM load affects this bit.</i></p> | RWS | Yes | 0 | 1 |
| 17 | <p>Disable Serial EEPROM Load on Hot Reset 0 = Enables serial EEPROM load upon upstream Port or NT Port Link Interface Hot Reset or <i>DL_Down</i> state 1 = Disables serial EEPROM load upon upstream Port or NT Port Link Interface Hot Reset or <i>DL_Down</i> state</p> | RWS | Yes | 0 | |
| 18 | <p>NT Mode Enable Used only in NT mode. NT mode (Intelligent Adapter) is enabled by the STRAP_NT_ENABLE# input, which is overridden by the value of this bit if this register is programmed by the serial EEPROM upon Fundamental Reset. Software, serial EEPROM load upon upstream Port or NT Port Link Interface Hot Reset or <i>DL_Down</i> state, and/or I²C are not allowed to change this value.</p> <p>0 = NT mode is disabled (STRAP_NT_ENABLE#=H) 1 = NT mode is enabled (STRAP_NT_ENABLE#=L)</p> | HwInit | Yes (Serial EEPROM only) | Set by STRAP_NT_ENABLE# input level or by serial EEPROM | |
| 19 | Reserved | RsvdP | No | 0 | |

Register 12-61. 1DCh Debug Control (Only Port 0, and also NT Port Virtual Interface if Port 0 is the NT Port) (Cont.)

| Bit(s) | Description | Type | Serial EEPROM and I ² C | Default | |
|--------|--|------------------|------------------------------------|---|------------------------------|
| | | | | Transparent Mode (STRAP_NT_ENABLE#=H) | NT Mode (STRAP_NT_ENABLE#=L) |
| 20 | <p>Upstream Port and NT-Link DL_Down Reset Propagation Disable</p> <p>Setting this bit:</p> <ul style="list-style-type: none"> Enables the upstream Port to ignore a Hot Reset training sequence, Blocks the PEX 8624 from manifesting an internal reset due to a DL_Down event, and Prevents the downstream Ports from issuing a Hot Reset to downstream devices when a Hot Reset or DL_Down event occurs on the upstream Link <p>If NT mode is enabled, Setting this bit additionally:</p> <ul style="list-style-type: none"> Enables the NT-Link Port to ignore a Hot Reset training sequence, and Blocks the PEX 8624 NT Port Link Interface from manifesting an internal reset due to a DL_Down event on the NT Port Link | RWS | Yes | 0 | |
| 21 | <p>Cut-Thru Enable</p> <p>0 = Disables Cut-Thru support 1 = Enables Cut-Thru support</p> | RWS | Yes | 1 | |
| 22 | <i>Reserved</i> | RsvdP | No | 0 | |
| 23 | <i>Factory Test Only</i> | RWS | Yes | 0 | |
| 25:24 | <p>NT Port Number</p> <p>Used only in NT mode.</p> <p>When bit 18 (<i>NT Mode Enable</i>) is Set, and bit 15 (<i>Hardware/Software Configuration Mode Control</i>) is Cleared, the NT Port Number is Set by the STRAP_NT_UPSTRM_PORTSEL[1:0] Strapping inputs.</p> <p>This field is “Don’t Care” for Transparent mode. Software is not allowed to change this value.</p> <p><i>Note: Only Station 0 Ports can be selected as the upstream NT Port.</i></p> | HwInit | Yes | Set by STRAP_NT_UPSTRM_PORTSEL[1:0] input levels or by serial EEPROM, or by I ² C followed by a Soft Reset | |
| | <p>Used only in NT mode.</p> <p>When bits [18 and 15] (<i>NT Mode Enable</i> and <i>Hardware/Software Configuration Mode Control</i>, respectively) are both Set, the NT Port Number selected by this field is Set by software, using the values defined below. All other encodings are <i>reserved</i>.</p> <p>00b = Port 0 01b = Port 1</p> <p><i>Note: Only Station 0 Ports can be selected as the upstream NT Port.</i></p> | R/W ^a | Yes | | |
| 27:26 | <i>Reserved</i> | RsvdP | No | 00b | |

Register 12-61. 1DCh Debug Control (Only Port 0, and also NT Port Virtual Interface if Port 0 is the NT Port) (Cont.)

| Bit(s) | Description | Type | Serial EEPROM and I ² C | Default | |
|--------|---|------|------------------------------------|--|-------------------------------|
| | | | | Transparent Mode (STRAP_NT_ENABL E#=H) | NT Mode (STRAP_NT_ENABL E#=L) |
| 28 | <p>Virtual Interface Access Enable Used only in NT mode. When the serial EEPROM is not present, the default value is 1; otherwise, the default value is 0.</p> <p>0 = Retries Type 0 Configuration TLP received on the NT Port Virtual Interface 1 = Accepts Type 0 Configuration TLP on the NT Port Virtual Interface</p> <p><i>Notes: This bit does not affect the PEX 8624 in Transparent mode, nor does it affect other transaction types.</i></p> <p><i>Set this bit to enable Configuration access to the NT Port Virtual Interface.</i></p> | RW | Yes | 1 | |
| 29 | <p>Link Interface Access Enable Used only in NT mode.</p> <p>0 = Retries Type 0 Configuration Request received on the NT Port Link Interface 1 = Accepts Type 0 Configuration Request on the NT Port Link Interface</p> <p><i>Notes: This bit does not affect the PEX 8624 in Transparent mode.</i></p> <p><i>Set this bit to enable Configuration access to the NT Port Link Interface.</i></p> | RW | Yes | 0 | |

Register 12-61. 1DCh Debug Control (Only Port 0, and also NT Port Virtual Interface if Port 0 is the NT Port) (Cont.)

| Bit(s) | Description | Type | Serial EEPROM and I ² C | Default | |
|--------|---|------|------------------------------------|---------------------------------------|------------------------------|
| | | | | Transparent Mode (STRAP_NT_ENABLE#=H) | NT Mode (STRAP_NT_ENABLE#=L) |
| 30 | <p>Inhibit EEPROM NT-Link Load on Hot Reset Used only in NT mode. Inhibits serial EEPROM load of NT Port Link Interface registers when any one of the following conditions exist:</p> <ul style="list-style-type: none"> • Upstream Port Hot Reset – Bits [17:16] (<i>Disable Serial EEPROM Load on Hot Reset</i> and <i>Upstream Hot Reset Control</i>, respectively) are Cleared • Upstream Port DL_Down state – Bits [20, 17:16] (<i>Upstream Port and NT-Link DL_Down Reset Propagation Disable</i>, <i>Disable Serial EEPROM Load on Hot Reset</i>, and <i>Upstream Hot Reset Control</i>, respectively) are Cleared • NT Port Link Interface Hot Reset or DL_Down state – Bit 17 (<i>Disable Serial EEPROM Load on Hot Reset</i>) is Cleared <p>Refer also to Section 6.9, “Serial EEPROM Loading of NT Port Link Interface Registers,” for further details.</p> | RW | Yes | 0 | 1 |
| 31 | <p>Load Only EEPROM NT-Link on Hot Reset Used only in NT mode. Load only serial EEPROM NT Port Link Interface register entries when any one of the following conditions exist:</p> <ul style="list-style-type: none"> • Upstream Port Hot Reset – Bits [17:16] (<i>Disable Serial EEPROM Load on Hot Reset</i> and <i>Upstream Hot Reset Control</i>, respectively) are Cleared • Upstream Port DL_Down state – Bits [20, 17:16] (<i>Upstream Port and NT-Link DL_Down Reset Propagation Disable</i>, <i>Disable Serial EEPROM Load on Hot Reset</i>, and <i>Upstream Hot Reset Control</i>, respectively) are Cleared • NT Port Link Interface Hot Reset or DL_Down state – Bit 17 (<i>Disable Serial EEPROM Load on Hot Reset</i>) is Cleared <p>Refer also to Section 6.9, “Serial EEPROM Loading of NT Port Link Interface Registers,” for further details.</p> | RW | Yes | 0 | 1 |

a. Although these bits are RW, do not change by software.

Register 12-62. 1E0h Power Management Hot Plug User Configuration (All Ports)

| Bit(s) | Description | Ports | Type | Serial EEPROM and I ² C | Default |
|--------|---|------------|------|------------------------------------|---------|
| 0 | L0s Entry Idle Counter Traffic Idle time to meet, to enter the L0s Link PM state. 0 = Idle condition must last 1 μs 1 = Idle condition must last 4 μs | | RW | Yes | 0 |
| 1 | Factory Test Only | | RW | Yes | 0 |
| 2 | Not enabled Functionality associated with this bit is enabled only on the downstream Ports. | Upstream | RW | Yes | 0 |
| | HPC PME Turn-Off Enable 1 = PME Turn-Off Message is transmitted before the Port is turned Off on a downstream Port | Downstream | RW | Yes | 0 |
| 4:3 | Not enabled Functionality associated with this field is enabled only on the downstream Ports. | Upstream | RW | Yes | 00b |
| | HPC T_{pepv} Hot Plug Port time from Power Enable to Power Valid. Indicates the delay from when an HP_PWREN _x output is asserted High, to when power is valid at a slot. (Refer to Section 10.7.1.2, “Slot Power-Up Sequencing When Power Controller Present Bit Is Set,” for details.) 00b = Feature is disabled, and HP_PWR_GOOD _x inputs are used for Power Valid 01b = 128 ms 10b = 256 ms 11b = 512 ms | Downstream | RW | Yes | 00b |
| 5 | Factory Test Only | | RW | Yes | 0 |
| 6 | Not enabled Functionality associated with this bit is enabled only on the downstream Ports. | Upstream | RW | Yes (Serial EEPROM only) | 0 |
| | HP_PWR_GOOD_x Active-Low Enable Controls the HP_PWR_GOOD _x input polarity. (Refer to Section 10.7.1.2, “Slot Power-Up Sequencing When Power Controller Present Bit Is Set,” for details.) 0 = HP_PWR_GOOD _x inputs are Active-High 1 = HP_PWR_GOOD _x inputs are Active-Low | Downstream | RW | Yes (Serial EEPROM only) | 0 |
| 7 | Factory Test Only | | RW | Yes | 0 |

Register 12-62. 1E0h Power Management Hot Plug User Configuration (All Ports) (Cont.)

| Bit(s) | Description | Ports | Type | Serial EEPROM and I ² C | Default | | | | | | | | | | | | | | | | | | | | |
|--------|--|------------------|------------------|------------------------------------|------------------|-----|--------|-----------------|--------|-----|--------|--------|--------|-----|-----------------|--------|-----------------|-----|-----------------|-----------------|-----------------|---------|----|-----|-----|
| 8 | <p>DLLP Timeout Link Retrain Disable Disable Link retraining when no Data Link Layer Packets (DLLPs) are received for more than 256 μs. 0 = Enables Link retraining when no DLLPs are received for more than 256 μs (default) 1 = DLLP Timeout is disabled</p> | | RW | Yes | 0 | | | | | | | | | | | | | | | | | | | | |
| 9 | Factory Test Only | | RW | Yes | 0 | | | | | | | | | | | | | | | | | | | | |
| 10 | <p>L0s Entry Disable 0 = Enables entry into the L0s Link PM state on a Port when the L0s idle conditions are met 1 = Disables entry into the L0s Link PM state on a Port when the L0s idle conditions are met</p> | | RW | Yes | 0 | | | | | | | | | | | | | | | | | | | | |
| 12:11 | Factory Test Only | | RW | Yes | 00b | | | | | | | | | | | | | | | | | | | | |
| 14:13 | <p>HP Parallel Port Indicates which Port in a Station is a Parallel Hot Plug Port. Defaults to Ports 1, 5, and 9. In x8 mode, the PEX 8624 Stations default to using Ports 0 and 8 as Hot Plug Ports (unless disabled by serial EEPROM). A Station Parallel Hot Plug Port is determined by the Port 0 Setting of that Station register (<i>that is</i>, Port 0, 4, or 8). Other Ports' values are unused.</p> <table border="1"> <thead> <tr> <th>Value</th> <th>Port 0 Station 0</th> <th>Port 4 Station 1</th> <th>Port 8 Station 2</th> </tr> </thead> <tbody> <tr> <td>00b</td> <td>Port 0</td> <td><i>Reserved</i></td> <td>Port 8</td> </tr> <tr> <td>01b</td> <td>Port 1</td> <td>Port 5</td> <td>Port 9</td> </tr> <tr> <td>10b</td> <td><i>Reserved</i></td> <td>Port 6</td> <td><i>Reserved</i></td> </tr> <tr> <td>11b</td> <td><i>Reserved</i></td> <td><i>Reserved</i></td> <td><i>Reserved</i></td> </tr> </tbody> </table> | Value | Port 0 Station 0 | Port 4 Station 1 | Port 8 Station 2 | 00b | Port 0 | <i>Reserved</i> | Port 8 | 01b | Port 1 | Port 5 | Port 9 | 10b | <i>Reserved</i> | Port 6 | <i>Reserved</i> | 11b | <i>Reserved</i> | <i>Reserved</i> | <i>Reserved</i> | 0, 4, 8 | RO | Yes | 01b |
| Value | Port 0 Station 0 | Port 4 Station 1 | Port 8 Station 2 | | | | | | | | | | | | | | | | | | | | | | |
| 00b | Port 0 | <i>Reserved</i> | Port 8 | | | | | | | | | | | | | | | | | | | | | | |
| 01b | Port 1 | Port 5 | Port 9 | | | | | | | | | | | | | | | | | | | | | | |
| 10b | <i>Reserved</i> | Port 6 | <i>Reserved</i> | | | | | | | | | | | | | | | | | | | | | | |
| 11b | <i>Reserved</i> | <i>Reserved</i> | <i>Reserved</i> | | | | | | | | | | | | | | | | | | | | | | |
| 15 | <p>HPC GPIO Write in Progress Indicates that the last Write operation to an I/O Expander GPIO x Output Data register (offsets 644h and 648h) is still in-progress.</p> | | RO | No | 0 | | | | | | | | | | | | | | | | | | | | |

Register 12-62. 1E0h Power Management Hot Plug User Configuration (All Ports) (Cont.)

| Bit(s) | Description | Ports | Type | Serial EEPROM and I ² C | Default |
|--------|---|--|------|------------------------------------|---------|
| 16 | <p>HPC Serial Expansion Controller Disable Valid only for Port 0. All other Ports' values are unused.</p> <p>0 = Enables Serial Hot Plug capability on all Ports 1 = Disables Serial Hot Plug capability on all Ports</p> | 0 | RW | Yes | 0 |
| 17 | <p>40-Pin I/O Expander Enable 0 = Enables 16-pin I/O Expanders for all downstream Ports that implement Serial Hot Plug 1 = Enables 40-pin I/O Expanders for all downstream Ports that implement Serial Hot Plug</p> <p><i>Note: Value of 1 can be enabled only by serial EEPROM (that is, it cannot be enabled by software nor by I²C).</i></p> | 0/ NT Port Virtual Interface if Port 0 is the NT Port | RW | Yes (See Note) | 0 |
| 18 | <p>HPC GPIO Config Programs the GPIO direction for one GPIO.</p> <p>0 = Input 1 = Output; register is RW</p> | | RW | Yes | 0 |
| 19 | <p>HPC GPIO Input/Output Value If the external I²C I/O Expander GPIO pin is programmed as input (<i>HPC GPIO Config</i>, bit 18 = 0), this bit reflects the logic value of the voltage on that Input pin. If the external I²C I/O Expander GPIO pin is programmed as output (<i>HPC GPIO Config</i>, bit 18 = 1), the value written to this bit is written to the external GPIO pin through the I²C Slave interface.</p> | | RW | Yes | 0 |
| 20 | <p>HPC I/O Reload 1 = Parallel Hot Plug Controller/Serial Hot Plug Controller (I²C I/O Expander) Output pin values are re-loaded from field [26:21] (<i>HPC Output Reload Value</i>). After the action is complete, this bit is self-Clearing.</p> | | RW | Yes | 0 |
| 26:21 | <p>HPC Output Reload Value When bit 20 (<i>HPC I/O Reload</i>) is Set, values from this field are re-loaded to the Hot Plug Controller outputs associated with the Port.</p> <p>Bit 21 = HP_PWRLED_x# or I/O Expander PWRLED# Bit 22 = HP_ATNLED_x# or I/O Expander ATNLED# Bit 23 = HP_PWREN_x or I/O Expander PWREN Bit 24 = HP_CLKEN_x# or I/O Expander REFCLKEN# Bit 25 = HP_PERST_x# or I/O Expander PERST# Bit 26 = I/O Expander INTERLOCK</p> | | RW | Yes | 0-0h |
| 31:27 | Factory Test Only | | RW | Yes | 0-0h |

Register 12-63. 1E8h Bad TLP Counter (All Ports)

| Bit(s) | Description | Type | Serial EEPROM and I ² C | Default |
|--------|---|------|------------------------------------|------------|
| 31:0 | Bad TLP Counter Counts the number of TLPs received with bad Link Cyclic Redundancy Check (LCRC), or number of TLPs with a Sequence Number Mismatch error. The Counter saturates at FFFF_FFFFh and does not roll over to 0000_0000h. | RWS | Yes | 0000_0000h |

Register 12-64. 1ECh Bad DLLP Counter (All Ports)

| Bit(s) | Description | Type | Serial EEPROM and I ² C | Default |
|--------|---|------|------------------------------------|------------|
| 31:0 | Bad DLLP Counter Counts the number of DLLPs received with bad LCRC, or number of DLLPs with a Sequence Number Mismatch error. The Counter saturates at FFFF_FFFFh and does not roll over to 0000_0000h. | RWS | Yes | 0000_0000h |

Register 12-65. 1F4h Station 0/1 Lane Status
(Only Port 0, and also NT Port Virtual Interface if Port 0 is the NT Port)

| Bit(s) | Description | Type | Serial EEPROM and I ² C | Default |
|--------|--|-------|------------------------------------|---------|
| 0 | Lane 0 Up Status 0 = Lane is down 1 = Lane is up | RO | No | 1 |
| 1 | Lane 1 Up Status 0 = Lane is down 1 = Lane is up | RO | No | 1 |
| 2 | Lane 2 Up Status 0 = Lane is down 1 = Lane is up | RO | No | 1 |
| 3 | Lane 3 Up Status 0 = Lane is down 1 = Lane is up | RO | No | 1 |
| 4 | Lane 4 Up Status 0 = Lane is down 1 = Lane is up | RO | No | 1 |
| 5 | Lane 5 Up Status 0 = Lane is down 1 = Lane is up | RO | No | 1 |
| 6 | Lane 6 Up Status 0 = Lane is down 1 = Lane is up | RO | No | 1 |
| 7 | Lane 7 Up Status 0 = Lane is down 1 = Lane is up | RO | No | 1 |
| 23:8 | Factory Test Only | RsvdP | No | 0000h |
| 24 | Lane 24 Up Status 0 = Lane is down 1 = Lane is up | RO | No | 1 |
| 25 | Lane 25 Up Status 0 = Lane is down 1 = Lane is up | RO | No | 1 |
| 26 | Lane 26 Up Status 0 = Lane is down 1 = Lane is up | RO | No | 1 |
| 27 | Lane 27 Up Status 0 = Lane is down 1 = Lane is up | RO | No | 1 |

Register 12-65. 1F4h Station 0/1 Lane Status
(Only Port 0, and also NT Port Virtual Interface if Port 0 is the NT Port) (Cont.)

| Bit(s) | Description | Type | Serial EEPROM and I ² C | Default |
|--------|--|------|------------------------------------|---------|
| 28 | Lane 28 Up Status 0 = Lane is down 1 = Lane is up | RO | No | 1 |
| 29 | Lane 29 Up Status 0 = Lane is down 1 = Lane is up | RO | No | 1 |
| 30 | Lane 30 Up Status 0 = Lane is down 1 = Lane is up | RO | No | 1 |
| 31 | Lane 31 Up Status 0 = Lane is down 1 = Lane is up | RO | No | 1 |

Register 12-66. 1F8h ACK Transmission Latency Limit (All Ports)

| Bit(s) | Description | Type | Serial EEPROM and I ² C | Default | | | | | | | | | | | | |
|--|--|-------------------------|------------------------------------|-------------------------|------|-----|-----|------|-----|-----|------|-----|-----|-----|-----|--|
| The value of this register should be valid after Link negotiation. | | | | | | | | | | | | | | | | |
| 11:0 | <p>ACK Transmission Latency Limit Acknowledge Control Packet (ACK) Transmission Latency Limit. The value of this field changes, based upon the Current Link Speed (offset 78h[19:16]), Negotiated Link Width (offset 78h[25:20]), and Maximum Payload Size (offset 70h[7:5]).</p> <table border="1"> <thead> <tr> <th>Maximum Payload Size</th> <th>x4 Gen 2 (Symbol Times)</th> <th>x8 Gen 2 (Symbol Times)</th> </tr> </thead> <tbody> <tr> <td>128B</td> <td>124</td> <td>118</td> </tr> <tr> <td>256B</td> <td>169</td> <td>158</td> </tr> <tr> <td>512B</td> <td>205</td> <td>137</td> </tr> </tbody> </table> | Maximum Payload Size | x4 Gen 2 (Symbol Times) | x8 Gen 2 (Symbol Times) | 128B | 124 | 118 | 256B | 169 | 158 | 512B | 205 | 137 | RWS | Yes | Set by STRAP_STNx_PORT CFGx input levels |
| Maximum Payload Size | x4 Gen 2 (Symbol Times) | x8 Gen 2 (Symbol Times) | | | | | | | | | | | | | | |
| 128B | 124 | 118 | | | | | | | | | | | | | | |
| 256B | 169 | 158 | | | | | | | | | | | | | | |
| 512B | 205 | 137 | | | | | | | | | | | | | | |
| 15:12 | Reserved | RsvdP | No | 0h | | | | | | | | | | | | |
| 23:16 | <p>Upper 8 Bits of the Replay Timer Limit If the serial EEPROM is not present, the value of this register changes based upon the negotiated Link width after the Link is up. The value in this register is a multiplier of the default internal timer values that are compliant to the <i>PCI Express Base r2.0</i>. These bits should normally remain the default value, 00h.</p> | RWS | Yes | 00h | | | | | | | | | | | | |
| 30:24 | Reserved | RsvdP | No | 0-0h | | | | | | | | | | | | |
| 31 | <p>ACK Transmission Latency Timer Status Indicates the written status of field [11:0] (<i>ACK Transmission Latency Limit</i>). After the register is written, either by software and/or serial EEPROM, this bit is Set, and Cleared only by a Fundamental Reset.</p> | RO | No | 0 | | | | | | | | | | | | |

12.14.2 Device-Specific Registers – Physical Layer (Offsets 200h – 25Ch)

This section details the Device-Specific PHY registers located at offsets 200h through 25Ch. Table 12-18 defines the register map.

Table 12-19 defines the relationship between the SerDes Support registers' Port 0, 4, or 8 parameters and SerDes modules and Lanes, when all Ports are enabled. SerDes modules and Lanes marked “*Factory Test Only*” are associated with bits that are RsvdP and not serial EEPROM nor I²C writable.

Other Device-Specific PHY registers are detailed in Section 12.14.4, “Device-Specific Registers – Physical Layer (Offsets 270h – 28Ch).”

Table 12-18. Device-Specific Physical Layer Register Map (Offsets 200h – 25Ch)

| 31 | 30 | 29 | 28 | 27 | 26 | 25 | 24 | 23 | 22 | 21 | 20 | 19 | 18 | 17 | 16 | 15 | 14 | 13 | 12 | 11 | 10 | 9 | 8 | 7 | 6 | 5 | 4 | 3 | 2 | 1 | 0 |
|---|----|----|----|-----------------------------|----|----|----|----|----|----|----|----|----|----|----|--|----|----|----|------|----|---|---|---|---|---|---|-------------|---|---|---|
| Physical Layer Receiver Detect Status | | | | | | | | | | | | | | | | Physical Layer Electrical Idle for Compliance Mask | | | | | | | | | | | | 200h | | | |
| Physical Layer Receiver Not Detected Mask | | | | | | | | | | | | | | | | Physical Layer Electrical Idle Detect Mask | | | | | | | | | | | | 204h | | | |
| <i>Factory Test Only</i> | | | | | | | | | | | | | | | | | | | | | | | | | | | | 208h – 20Ch | | | |
| Physical Layer User Test Pattern, Bytes 0 through 3 | | | | | | | | | | | | | | | | | | | | | | | | | | | | 210h | | | |
| Physical Layer User Test Pattern, Bytes 4 through 7 | | | | | | | | | | | | | | | | | | | | | | | | | | | | 214h | | | |
| Physical Layer User Test Pattern, Bytes 8 through 11 | | | | | | | | | | | | | | | | | | | | | | | | | | | | 218h | | | |
| Physical Layer User Test Pattern, Bytes 12 through 15 | | | | | | | | | | | | | | | | | | | | | | | | | | | | 21Ch | | | |
| Physical Layer Command and Status | | | | | | | | | | | | | | | | | | | | | | | | | | | | 220h | | | |
| <i>Reserved</i> | | | | | | | | | | | | | | | | | | | | | | | | | | | | 224h | | | |
| Physical Layer Test | | | | | | | | | | | | | | | | | | | | | | | | | | | | 228h | | | |
| <i>Factory Test Only</i> | | | | | | | | | | | | | | | | | | | | | | | | | | | | 22Ch | | | |
| <i>Reserved</i> | | | | | | | | | | | | | | | | Physical Layer Port Command | | | | | | | | | | | | 230h | | | |
| Port Control | | | | | | | | | | | | | | | | SKIP Ordered-Set Interval | | | | | | | | | | | | 234h | | | |
| SerDes Quad 0 Diagnostic Data | | | | | | | | | | | | | | | | | | | | | | | | | | | | 238h | | | |
| SerDes Quad 1 Diagnostic Data | | | | | | | | | | | | | | | | | | | | | | | | | | | | 23Ch | | | |
| SerDes Quad 2 Diagnostic Data | | | | | | | | | | | | | | | | | | | | | | | | | | | | 240h | | | |
| SerDes Quad 3 Diagnostic Data | | | | | | | | | | | | | | | | | | | | | | | | | | | | 244h | | | |
| <i>Factory Test Only</i> | | | | Port Receiver Error Counter | | | | | | | | | | | | | | | | 248h | | | | | | | | | | | |
| <i>Factory Test Only</i> | | | | Target Link Width | | | | | | | | | | | | | | | | 24Ch | | | | | | | | | | | |
| <i>Reserved</i> | | | | | | | | | | | | | | | | | | | | | | | | | | | | 250h | | | |
| Physical Layer Additional Status | | | | | | | | | | | | | | | | | | | | | | | | | | | | 254h | | | |
| PRBS Control/Status | | | | | | | | | | | | | | | | | | | | | | | | | | | | 258h | | | |
| <i>Reserved</i> | | | | | | | | | | | | | | | | | | | | | | | | | | | | 25Ch | | | |

Notes: In this section, the term “SerDes quad” or “quad” refers to assembling SerDes modules into groups of four contiguous Lanes for testing purposes.

The six PEX 8624 Ports that connect to PCI Express Transmitters and Receivers are Ports 0, 1, 5, 6, 8, and 9, and each Port has its own set of registers. An additional set of Port 4 registers is visible to software, although the Port is not connected to external signals. The Port 4 registers include:

- Other Device-Specific registers.
- “Station” registers, that control all Ports in Station 1 (Ports 5 and 6), and are identical to the corresponding Port 0 registers that control all Ports in Station 0 (Ports 0 and 1) and Port 8 registers that control all Ports in Station 2 (Ports 8 and 9). The Station registers include Physical Layer registers, Device-Specific Error registers, and internal mapping (CAM) registers.

Table 12-19. Port/Physical Lane/SerDes Module/Station/SerDes Quad Relationship, when All Ports Are Enabled, for Offsets 200h through 25Ch

| Physical Lanes and SerDes Modules, by Port | | | | | | SerDes Quad |
|--|-----------------------------------|-------------------|-----------------------------------|-------------------|-----------------------------------|-------------|
| Station 0, Port 0 | | Station 1, Port 4 | | Station 2, Port 8 | | |
| Port | Physical Lanes and SerDes Modules | Port | Physical Lanes and SerDes Modules | Port | Physical Lanes and SerDes Modules | |
| 0 | 0-3 | – | <i>Factory Test Only</i> | 8 | 32-35 | 0 |
| 1 | 4-7 | – | <i>Factory Test Only</i> | 9 | 36-39 | 1 |
| – | <i>Factory Test Only</i> | 5 | 24-27 | – | <i>Factory Test Only</i> | 2 |
| – | <i>Factory Test Only</i> | 6 | 28-31 | – | <i>Factory Test Only</i> | 3 |

Register 12-67. 200h Physical Layer Receiver Detect Status and Electrical Idle for Compliance Mask (Only Ports 0, 4, and 8, and also NT Port Virtual Interface if Port 0 is the NT Port)

| Bit(s) | Description | Type | Serial EEPROM and I ² C | Default |
|--|---|------|------------------------------------|---------|
| <p>This register is used for specifying the pre-determined number of Lanes that detected a Receiver during an LTSSM <i>Detect</i> state, but never detected an exit from Electrical Idle. Because the PEX 8624 has multiple Port configurations, a Mask register is used, rather than specifying a number. When multiple bits are Set, and they correspond to Lanes that belong to the same Port, any of those specified Lanes can cause entry into the LTSSM <i>Polling.Compliance</i> state.</p> <p><i>Note:</i> Refer to Table 12-20 for the relationship between the Port 0, 4, or 8 parameters and SerDes modules and Lanes.</p> <p>Factory Test Only bits are <i>RsvdP</i> and not serial EEPROM nor I²C writable.</p> | | | | |
| Physical Layer Electrical Idle for Compliance Mask | | | | |
| <p>This register allows masking that specifies which Lanes must never exit Electrical Idle, for entry to the LTSSM <i>Polling.Compliance</i> state to occur.</p> | | | | |
| 0 | <p>Electrical Idle on SerDes 0 or 32 Causes Entry to Compliance State</p> <p>0 = The LTSSM <i>Polling.Compliance</i> state cannot be entered due to the Electrical Idle condition</p> <p>1 = Corresponding Lane must have detected a Receiver during an LTSSM <i>Detect</i> state, and must not see an exit from Electrical Idle during the <i>Polling.Active</i> state, to cause entry to the <i>Polling.Compliance</i> state</p> | RWS | Yes | 1 |
| 1 | <p>Electrical Idle on SerDes 1 or 33 Causes Entry to Compliance State</p> <p>0 = The LTSSM <i>Polling.Compliance</i> state cannot be entered due to the Electrical Idle condition</p> <p>1 = Corresponding Lane must have detected a Receiver during an LTSSM <i>Detect</i> state, and must not see an exit from Electrical Idle during the <i>Polling.Active</i> state, to cause entry to the <i>Polling.Compliance</i> state</p> | RWS | Yes | 1 |
| 2 | <p>Electrical Idle on SerDes 2 or 34 Causes Entry to Compliance State</p> <p>0 = The LTSSM <i>Polling.Compliance</i> state cannot be entered due to the Electrical Idle condition</p> <p>1 = Corresponding Lane must have detected a Receiver during an LTSSM <i>Detect</i> state, and must not see an exit from Electrical Idle during the <i>Polling.Active</i> state, to cause entry to the <i>Polling.Compliance</i> state</p> | RWS | Yes | 1 |
| 3 | <p>Electrical Idle on SerDes 3 or 35 Causes Entry to Compliance State</p> <p>0 = The LTSSM <i>Polling.Compliance</i> state cannot be entered due to the Electrical Idle condition</p> <p>1 = Corresponding Lane must have detected a Receiver during an LTSSM <i>Detect</i> state, and must not see an exit from Electrical Idle during the <i>Polling.Active</i> state, to cause entry to the <i>Polling.Compliance</i> state</p> | RWS | Yes | 1 |

Register 12-67. 200h Physical Layer Receiver Detect Status and Electrical Idle for Compliance Mask (Only Ports 0, 4, and 8, and also NT Port Virtual Interface if Port 0 is the NT Port) (Cont.)

| Bit(s) | Description | Type | Serial EEPROM and I ² C | Default |
|--------|--|------|------------------------------------|---------|
| 4 | Electrical Idle on SerDes 4 or 36 Causes Entry to Compliance State 0 = The LTSSM <i>Polling.Compliance</i> state cannot be entered due to the Electrical Idle condition 1 = Corresponding Lane must have detected a Receiver during an LTSSM <i>Detect</i> state, and must not see an exit from Electrical Idle during the <i>Polling.Active</i> state, to cause entry to the <i>Polling.Compliance</i> state | RWS | Yes | 1 |
| 5 | Electrical Idle on SerDes 5 or 37 Causes Entry to Compliance State 0 = The LTSSM <i>Polling.Compliance</i> state cannot be entered due to the Electrical Idle condition 1 = Corresponding Lane must have detected a Receiver during an LTSSM <i>Detect</i> state, and must not see an exit from Electrical Idle during the <i>Polling.Active</i> state, to cause entry to the <i>Polling.Compliance</i> state | RWS | Yes | 1 |
| 6 | Electrical Idle on SerDes 6 or 38 Causes Entry to Compliance State 0 = The LTSSM <i>Polling.Compliance</i> state cannot be entered due to the Electrical Idle condition 1 = Corresponding Lane must have detected a Receiver during an LTSSM <i>Detect</i> state, and must not see an exit from Electrical Idle during the <i>Polling.Active</i> state, to cause entry to the <i>Polling.Compliance</i> state | RWS | Yes | 1 |
| 7 | Electrical Idle on SerDes 7 or 39 Causes Entry to Compliance State 0 = The LTSSM <i>Polling.Compliance</i> state cannot be entered due to the Electrical Idle condition 1 = Corresponding Lane must have detected a Receiver during an LTSSM <i>Detect</i> state, and must not see an exit from Electrical Idle during the <i>Polling.Active</i> state, to cause entry to the <i>Polling.Compliance</i> state | RWS | Yes | 1 |

Register 12-67. 200h Physical Layer Receiver Detect Status and Electrical Idle for Compliance Mask (Only Ports 0, 4, and 8, and also NT Port Virtual Interface if Port 0 is the NT Port) (Cont.)

| Bit(s) | Description | Type | Serial EEPROM and I ² C | Default |
|--------|---|------|------------------------------------|---------|
| 8 | Electrical Idle on SerDes 24 Causes Entry to Compliance State 0 = The LTSSM <i>Polling.Compliance</i> state cannot be entered due to the Electrical Idle condition 1 = Corresponding Lane must have detected a Receiver during an LTSSM <i>Detect</i> state, and must not see an exit from Electrical Idle during the <i>Polling.Active</i> state, to cause entry to the <i>Polling.Compliance</i> state | RWS | Yes | 1 |
| 9 | Electrical Idle on SerDes 25 Causes Entry to Compliance State 0 = The LTSSM <i>Polling.Compliance</i> state cannot be entered due to the Electrical Idle condition 1 = Corresponding Lane must have detected a Receiver during an LTSSM <i>Detect</i> state, and must not see an exit from Electrical Idle during the <i>Polling.Active</i> state, to cause entry to the <i>Polling.Compliance</i> state | RWS | Yes | 1 |
| 10 | Electrical Idle on SerDes 26 Causes Entry to Compliance State 0 = The LTSSM <i>Polling.Compliance</i> state cannot be entered due to the Electrical Idle condition 1 = Corresponding Lane must have detected a Receiver during an LTSSM <i>Detect</i> state, and must not see an exit from Electrical Idle during the <i>Polling.Active</i> state, to cause entry to the <i>Polling.Compliance</i> state | RWS | Yes | 1 |
| 11 | Electrical Idle on SerDes 27 Causes Entry to Compliance State 0 = The LTSSM <i>Polling.Compliance</i> state cannot be entered due to the Electrical Idle condition 1 = Corresponding Lane must have detected a Receiver during an LTSSM <i>Detect</i> state, and must not see an exit from Electrical Idle during the <i>Polling.Active</i> state, to cause entry to the <i>Polling.Compliance</i> state | RWS | Yes | 1 |

Register 12-67. 200h Physical Layer Receiver Detect Status and Electrical Idle for Compliance Mask (Only Ports 0, 4, and 8, and also NT Port Virtual Interface if Port 0 is the NT Port) (Cont.)

| Bit(s) | Description | Type | Serial EEPROM and I ² C | Default |
|--------|--|------|------------------------------------|---------|
| 12 | <p>Electrical Idle on SerDes 28 Causes Entry to Compliance State</p> <p>0 = The LTSSM <i>Polling.Compliance</i> state cannot be entered due to the Electrical Idle condition</p> <p>1 = Corresponding Lane must have detected a Receiver during an LTSSM <i>Detect</i> state, and must not see an exit from Electrical Idle during the <i>Polling.Active</i> state, to cause entry to the <i>Polling.Compliance</i> state</p> | RWS | Yes | 1 |
| 13 | <p>Electrical Idle on SerDes 29 Causes Entry to Compliance State</p> <p>0 = The LTSSM <i>Polling.Compliance</i> state cannot be entered due to the Electrical Idle condition</p> <p>1 = Corresponding Lane must have detected a Receiver during an LTSSM <i>Detect</i> state, and must not see an exit from Electrical Idle during the <i>Polling.Active</i> state, to cause entry to the <i>Polling.Compliance</i> state</p> | RWS | Yes | 1 |
| 14 | <p>Electrical Idle on SerDes 30 Causes Entry to Compliance State</p> <p>0 = The LTSSM <i>Polling.Compliance</i> state cannot be entered due to the Electrical Idle condition</p> <p>1 = Corresponding Lane must have detected a Receiver during an LTSSM <i>Detect</i> state, and must not see an exit from Electrical Idle during the <i>Polling.Active</i> state, to cause entry to the <i>Polling.Compliance</i> state</p> | RWS | Yes | 1 |
| 15 | <p>Electrical Idle on SerDes 31 Causes Entry to Compliance State</p> <p>0 = The LTSSM <i>Polling.Compliance</i> state cannot be entered due to the Electrical Idle condition</p> <p>1 = Corresponding Lane must have detected a Receiver during an LTSSM <i>Detect</i> state, and must not see an exit from Electrical Idle during the <i>Polling.Active</i> state, to cause entry to the <i>Polling.Compliance</i> state</p> | RWS | Yes | 1 |

Register 12-67. 200h Physical Layer Receiver Detect Status and Electrical Idle for Compliance Mask (Only Ports 0, 4, and 8, and also NT Port Virtual Interface if Port 0 is the NT Port) (Cont.)

| Bit(s) | Description | Type | Serial EEPROM and I ² C | Default |
|---|--|------|------------------------------------|---------------|
| Physical Layer Receiver Detect Status | | | | |
| This register returns the Receiver's LTSSM <i>Detect</i> state status for all Lanes within the Station. | | | | |
| 16 | Receiver Detected on Lane 0 or 32 Reads back as 1 when a Receiver is detected on the Lane. | RO | No | Set by SerDes |
| 17 | Receiver Detected on Lane 1 or 33 Reads back as 1 when a Receiver is detected on the Lane. | RO | No | Set by SerDes |
| 18 | Receiver Detected on Lane 2 or 34 Reads back as 1 when a Receiver is detected on the Lane. | RO | No | Set by SerDes |
| 19 | Receiver Detected on Lane 3 or 35 Reads back as 1 when a Receiver is detected on the Lane. | RO | No | Set by SerDes |
| 20 | Receiver Detected on Lane 4 or 36 Reads back as 1 when a Receiver is detected on the Lane. | RO | No | Set by SerDes |
| 21 | Receiver Detected on Lane 5 or 37 Reads back as 1 when a Receiver is detected on the Lane. | RO | No | Set by SerDes |
| 22 | Receiver Detected on Lane 6 or 38 Reads back as 1 when a Receiver is detected on the Lane. | RO | No | Set by SerDes |
| 23 | Receiver Detected on Lane 7 or 39 Reads back as 1 when a Receiver is detected on the Lane. | RO | No | Set by SerDes |
| 24 | Receiver Detected on Lane 24 Reads back as 1 when a Receiver is detected on the Lane. | RO | No | Set by SerDes |
| 25 | Receiver Detected on Lane 25 Reads back as 1 when a Receiver is detected on the Lane. | RO | No | Set by SerDes |
| 26 | Receiver Detected on Lane 26 Reads back as 1 when a Receiver is detected on the Lane. | RO | No | Set by SerDes |
| 27 | Receiver Detected on Lane 27 Reads back as 1 when a Receiver is detected on the Lane. | RO | No | Set by SerDes |
| 28 | Receiver Detected on Lane 28 Reads back as 1 when a Receiver is detected on the Lane. | RO | No | Set by SerDes |
| 29 | Receiver Detected on Lane 29 Reads back as 1 when a Receiver is detected on the Lane. | RO | No | Set by SerDes |
| 30 | Receiver Detected on Lane 30 Reads back as 1 when a Receiver is detected on the Lane. | RO | No | Set by SerDes |
| 31 | Receiver Detected on Lane 31 Reads back as 1 when a Receiver is detected on the Lane. | RO | No | Set by SerDes |

Table 12-20. SerDes Module and Lane Control Relationship, by Station and Port, for Register Offsets 200h and 204h

| Bit(s) | Station 0, Port 0 SerDes Module and Physical Lane | Station 1, Port 4 SerDes Module and Physical Lane | Station 2, Port 8 SerDes Module and Physical Lane |
|--------|---|---|---|
| 0 | 0 | <i>Factory Test Only</i> | 32 |
| 1 | 1 | <i>Factory Test Only</i> | 33 |
| 2 | 2 | <i>Factory Test Only</i> | 34 |
| 3 | 3 | <i>Factory Test Only</i> | 35 |
| 4 | 4 | <i>Factory Test Only</i> | 36 |
| 5 | 5 | <i>Factory Test Only</i> | 37 |
| 6 | 6 | <i>Factory Test Only</i> | 38 |
| 7 | 7 | <i>Factory Test Only</i> | 39 |
| 8 | <i>Factory Test Only</i> | 24 | <i>Factory Test Only</i> |
| 9 | <i>Factory Test Only</i> | 25 | <i>Factory Test Only</i> |
| 10 | <i>Factory Test Only</i> | 26 | <i>Factory Test Only</i> |
| 11 | <i>Factory Test Only</i> | 27 | <i>Factory Test Only</i> |
| 12 | <i>Factory Test Only</i> | 28 | <i>Factory Test Only</i> |
| 13 | <i>Factory Test Only</i> | 29 | <i>Factory Test Only</i> |
| 14 | <i>Factory Test Only</i> | 30 | <i>Factory Test Only</i> |
| 15 | <i>Factory Test Only</i> | 31 | <i>Factory Test Only</i> |
| 16 | 0 | <i>Factory Test Only</i> | 32 |
| 17 | 1 | <i>Factory Test Only</i> | 33 |
| 18 | 2 | <i>Factory Test Only</i> | 34 |
| 19 | 3 | <i>Factory Test Only</i> | 35 |
| 20 | 4 | <i>Factory Test Only</i> | 36 |
| 21 | 5 | <i>Factory Test Only</i> | 37 |
| 22 | 6 | <i>Factory Test Only</i> | 38 |
| 23 | 7 | <i>Factory Test Only</i> | 39 |
| 24 | <i>Factory Test Only</i> | 24 | <i>Factory Test Only</i> |
| 25 | <i>Factory Test Only</i> | 25 | <i>Factory Test Only</i> |
| 26 | <i>Factory Test Only</i> | 26 | <i>Factory Test Only</i> |
| 27 | <i>Factory Test Only</i> | 27 | <i>Factory Test Only</i> |
| 28 | <i>Factory Test Only</i> | 28 | <i>Factory Test Only</i> |
| 29 | <i>Factory Test Only</i> | 29 | <i>Factory Test Only</i> |
| 30 | <i>Factory Test Only</i> | 30 | <i>Factory Test Only</i> |
| 31 | <i>Factory Test Only</i> | 31 | <i>Factory Test Only</i> |

Register 12-68. 204h Electrical Idle Detect/Receiver Detect Mask (Only Ports 0, 4, and 8, and also NT Port Virtual Interface if Port 0 is the NT Port)

| Bit(s) | Description | Type | Serial EEPROM and I ² C | Default |
|---|--|------|------------------------------------|---------|
| <p>This register is used to mask Electrical Idle Detect and Receiver functions for debug purposes. It can also be used to mask SerDes problems with these circuits. Masking Electrical Idle Detect will not affect the inferred Electrical Idle detection.</p> <p><i>Notes: Use this register with caution.</i></p> <p>Refer to Table 12-20 for the relationship between the Port 0, 4, or 8 parameters and SerDes modules and Lanes.</p> <p>Factory Test Only bits are RsvdP and not serial EEPROM nor I²C writable.</p> | | | | |
| Physical Layer Electrical Idle Detect Mask | | | | |
| 0 | <p>SerDes 0 or 32 Mask Electrical Idle Detect</p> <p>1 = Masks the Electrical Idle Detect for the SerDes, by Station. The Electrical Idle condition flag of the corresponding Lane does not assert, regardless of the actual presence of Electrical Idle.</p> | RWS | Yes | 0 |
| 1 | <p>SerDes 1 or 33 Mask Electrical Idle Detect</p> <p>1 = Masks the Electrical Idle Detect for the SerDes, by Station. The Electrical Idle condition flag of the corresponding Lane does not assert, regardless of the actual presence of Electrical Idle.</p> | RWS | Yes | 0 |
| 2 | <p>SerDes 2 or 34 Mask Electrical Idle Detect</p> <p>1 = Masks the Electrical Idle Detect for the SerDes, by Station. The Electrical Idle condition flag of the corresponding Lane does not assert, regardless of the actual presence of Electrical Idle.</p> | RWS | Yes | 0 |
| 3 | <p>SerDes 3 or 35 Mask Electrical Idle Detect</p> <p>1 = Masks the Electrical Idle Detect for the SerDes, by Station. The Electrical Idle condition flag of the corresponding Lane does not assert, regardless of the actual presence of Electrical Idle.</p> | RWS | Yes | 0 |
| 4 | <p>SerDes 4 or 36 Mask Electrical Idle Detect</p> <p>1 = Masks the Electrical Idle Detect for the SerDes, by Station. The Electrical Idle condition flag of the corresponding Lane does not assert, regardless of the actual presence of Electrical Idle.</p> | RWS | Yes | 0 |
| 5 | <p>SerDes 5 or 37 Mask Electrical Idle Detect</p> <p>1 = Masks the Electrical Idle Detect for the SerDes, by Station. The Electrical Idle condition flag of the corresponding Lane does not assert, regardless of the actual presence of Electrical Idle.</p> | RWS | Yes | 0 |
| 6 | <p>SerDes 6 or 38 Mask Electrical Idle Detect</p> <p>1 = Masks the Electrical Idle Detect for the SerDes, by Station. The Electrical Idle condition flag of the corresponding Lane does not assert, regardless of the actual presence of Electrical Idle.</p> | RWS | Yes | 0 |
| 7 | <p>SerDes 7 or 39 Mask Electrical Idle Detect</p> <p>1 = Masks the Electrical Idle Detect for the SerDes, by Station. The Electrical Idle condition flag of the corresponding Lane does not assert, regardless of the actual presence of Electrical Idle.</p> | RWS | Yes | 0 |

Register 12-68. 204h Electrical Idle Detect/Receiver Detect Mask (Only Ports 0, 4, and 8, and also NT Port Virtual Interface if Port 0 is the NT Port) (Cont.)

| Bit(s) | Description | Type | Serial EEPROM and I ² C | Default |
|--------|--|------|------------------------------------|---------|
| 8 | SerDes 24 Mask Electrical Idle Detect 1 = Masks the Electrical Idle Detect for the SerDes, by Station. The Electrical Idle condition flag of the corresponding Lane does not assert, regardless of the actual presence of Electrical Idle. | RWS | Yes | 0 |
| 9 | SerDes 25 Mask Electrical Idle Detect 1 = Masks the Electrical Idle Detect for the SerDes, by Station. The Electrical Idle condition flag of the corresponding Lane does not assert, regardless of the actual presence of Electrical Idle. | RWS | Yes | 0 |
| 10 | SerDes 26 Mask Electrical Idle Detect 1 = Masks the Electrical Idle Detect for the SerDes, by Station. The Electrical Idle condition flag of the corresponding Lane does not assert, regardless of the actual presence of Electrical Idle. | RWS | Yes | 0 |
| 11 | SerDes 27 Mask Electrical Idle Detect 1 = Masks the Electrical Idle Detect for the SerDes, by Station. The Electrical Idle condition flag of the corresponding Lane does not assert, regardless of the actual presence of Electrical Idle. | RWS | Yes | 0 |
| 12 | SerDes 28 Mask Electrical Idle Detect 1 = Masks the Electrical Idle Detect for the SerDes, by Station. The Electrical Idle condition flag of the corresponding Lane does not assert, regardless of the actual presence of Electrical Idle. | RWS | Yes | 0 |
| 13 | SerDes 29 Mask Electrical Idle Detect 1 = Masks the Electrical Idle Detect for the SerDes, by Station. The Electrical Idle condition flag of the corresponding Lane does not assert, regardless of the actual presence of Electrical Idle. | RWS | Yes | 0 |
| 14 | SerDes 30 Mask Electrical Idle Detect 1 = Masks the Electrical Idle Detect for the SerDes, by Station. The Electrical Idle condition flag of the corresponding Lane does not assert, regardless of the actual presence of Electrical Idle. | RWS | Yes | 0 |
| 15 | SerDes 31 Mask Electrical Idle Detect 1 = Masks the Electrical Idle Detect for the SerDes, by Station. The Electrical Idle condition flag of the corresponding Lane does not assert, regardless of the actual presence of Electrical Idle. | RWS | Yes | 0 |

Register 12-68. 204h Electrical Idle Detect/Receiver Detect Mask (Only Ports 0, 4, and 8, and also NT Port Virtual Interface if Port 0 is the NT Port) (Cont.)

| Bit(s) | Description | Type | Serial EEPROM and I ² C | Default |
|--|---|------|------------------------------------|---------|
| Physical Layer Receiver Not Detected Mask | | | | |
| 16 | SerDes 0 or 32 Mask Receiver Not Detected 1 = Masks the Receiver Not Detected for the SerDes Lanes, by Station. The PHY functions as if a Receiver was detected on the corresponding Lane, regardless of the actual presence of a Receiver. | RWS | Yes | 0 |
| 17 | SerDes 1 or 33 Mask Receiver Not Detected 1 = Masks the Receiver Not Detected for the SerDes Lanes, by Station. The PHY functions as if a Receiver was detected on the corresponding Lane, regardless of the actual presence of a Receiver. | RWS | Yes | 0 |
| 18 | SerDes 2 or 34 Mask Receiver Not Detected 1 = Masks the Receiver Not Detected for the SerDes Lanes, by Station. The PHY functions as if a Receiver was detected on the corresponding Lane, regardless of the actual presence of a Receiver. | RWS | Yes | 0 |
| 19 | SerDes 3 or 35 Mask Receiver Not Detected 1 = Masks the Receiver Not Detected for the SerDes Lanes, by Station. The PHY functions as if a Receiver was detected on the corresponding Lane, regardless of the actual presence of a Receiver. | RWS | Yes | 0 |
| 20 | SerDes 4 or 36 Mask Receiver Not Detected 1 = Masks the Receiver Not Detected for the SerDes Lanes, by Station. The PHY functions as if a Receiver was detected on the corresponding Lane, regardless of the actual presence of a Receiver. | RWS | Yes | 0 |
| 21 | SerDes 5 or 37 Mask Receiver Not Detected 1 = Masks the Receiver Not Detected for the SerDes Lanes, by Station. The PHY functions as if a Receiver was detected on the corresponding Lane, regardless of the actual presence of a Receiver. | RWS | Yes | 0 |
| 22 | SerDes 6 or 38 Mask Receiver Not Detected 1 = Masks the Receiver Not Detected for the SerDes Lanes, by Station. The PHY functions as if a Receiver was detected on the corresponding Lane, regardless of the actual presence of a Receiver. | RWS | Yes | 0 |
| 23 | SerDes 7 or 39 Mask Receiver Not Detected 1 = Masks the Receiver Not Detected for the SerDes Lanes, by Station. The PHY functions as if a Receiver was detected on the corresponding Lane, regardless of the actual presence of a Receiver. | RWS | Yes | 0 |

Register 12-68. 204h Electrical Idle Detect/Receiver Detect Mask (Only Ports 0, 4, and 8, and also NT Port Virtual Interface if Port 0 is the NT Port) (Cont.)

| Bit(s) | Description | Type | Serial EEPROM and I ² C | Default |
|--------|--|------|------------------------------------|---------|
| 24 | SerDes 24 Mask Receiver Not Detected 1 = Masks the Receiver Not Detected for the SerDes Lanes, by Station. The PHY functions as if a Receiver was detected on the corresponding Lane, regardless of the actual presence of a Receiver. | RWS | Yes | 0 |
| 25 | SerDes 25 Mask Receiver Not Detected 1 = Masks the Receiver Not Detected for the SerDes Lanes, by Station. The PHY functions as if a Receiver was detected on the corresponding Lane, regardless of the actual presence of a Receiver. | RWS | Yes | 0 |
| 26 | SerDes 26 Mask Receiver Not Detected 1 = Masks the Receiver Not Detected for the SerDes Lanes, by Station. The PHY functions as if a Receiver was detected on the corresponding Lane, regardless of the actual presence of a Receiver. | RWS | Yes | 0 |
| 27 | SerDes 27 Mask Receiver Not Detected 1 = Masks the Receiver Not Detected for the SerDes Lanes, by Station. The PHY functions as if a Receiver was detected on the corresponding Lane, regardless of the actual presence of a Receiver. | RWS | Yes | 0 |
| 28 | SerDes 28 Mask Receiver Not Detected 1 = Masks the Receiver Not Detected for the SerDes Lanes, by Station. The PHY functions as if a Receiver was detected on the corresponding Lane, regardless of the actual presence of a Receiver. | RWS | Yes | 0 |
| 29 | SerDes 29 Mask Receiver Not Detected 1 = Masks the Receiver Not Detected for the SerDes Lanes, by Station. The PHY functions as if a Receiver was detected on the corresponding Lane, regardless of the actual presence of a Receiver. | RWS | Yes | 0 |
| 30 | SerDes 30 Mask Receiver Not Detected 1 = Masks the Receiver Not Detected for the SerDes Lanes, by Station. The PHY functions as if a Receiver was detected on the corresponding Lane, regardless of the actual presence of a Receiver. | RWS | Yes | 0 |
| 31 | SerDes 31 Mask Receiver Not Detected 1 = Masks the Receiver Not Detected for the SerDes Lanes, by Station. The PHY functions as if a Receiver was detected on the corresponding Lane, regardless of the actual presence of a Receiver. | RWS | Yes | 0 |

Register 12-69. 210h Physical Layer User Test Pattern, Bytes 0 through 3
(Only Ports 0, 4, and 8 (Port 0 is for Station 0 Ports, Port 4 is for Station 1 Ports,
Port 8 is for Station 2 Ports), and also NT Port Virtual Interface if Port 0 is the NT Port)

| Bit(s) | Description | Type | Serial EEPROM and I ² C | Default |
|---|--|------|------------------------------------|---------|
| UTP Bytes 0 through 3. Used for Digital Far-End Loopback testing. | | | | |
| <i>Note:</i> A 16-byte test pattern can be written to register offsets 210h through 21Ch. When User Test Pattern (UTP) transmission is enabled, Byte 0 of register offset 210h is transmitted first and Byte 3 (Byte 15 of the UTP) of register offset 21Ch is transmitted last. (Refer to Section 16.2.3, “Digital Loopback Master Mode,” for further details.) Every byte of the UTP can be a control or data character. Illegal control characters can be specified. | | | | |
| 7:0 | Byte 0 of the UTP. This is the first byte transferred. | RW | Yes | 00h |
| 15:8 | Byte 1 of the UTP. | RW | Yes | 00h |
| 23:16 | Byte 2 of the UTP. | RW | Yes | 00h |
| 31:24 | Byte 3 of the UTP. | RW | Yes | 00h |

Register 12-70. 214h Physical Layer User Test Pattern, Bytes 4 through 7
(Only Ports 0, 4, and 8 (Port 0 is for Station 0 Ports, Port 4 is for Station 1 Ports,
Port 8 is for Station 2 Ports), and also NT Port Virtual Interface if Port 0 is the NT Port)

| Bit(s) | Description | Type | Serial EEPROM and I ² C | Default |
|---|--|------|------------------------------------|---------|
| UTP Bytes 4 through 7. Used for Digital Far-End Loopback testing. | | | | |
| <i>Note:</i> A 16-byte test pattern can be written to register offsets 210h through 21Ch. When User Test Pattern (UTP) transmission is enabled, Byte 0 of register offset 210h is transmitted first and Byte 3 (Byte 15 of the UTP) of register offset 21Ch is transmitted last. (Refer to Section 16.2.3, “Digital Loopback Master Mode,” for further details.) Every byte of the UTP can be a control or data character. Illegal control characters can be specified. | | | | |
| 7:0 | Byte 4 of the UTP. This is the fifth byte transferred. | RW | Yes | 00h |
| 15:8 | Byte 5 of the UTP. | RW | Yes | 00h |
| 23:16 | Byte 6 of the UTP. | RW | Yes | 00h |
| 31:24 | Byte 7 of the UTP. | RW | Yes | 00h |

Register 12-71. 218h Physical Layer User Test Pattern, Bytes 8 through 11
(Only Ports 0, 4, and 8 (Port 0 is for Station 0 Ports, Port 4 is for Station 1 Ports, Port 8 is for Station 2 Ports), and also NT Port Virtual Interface if Port 0 is the NT Port)

| Bit(s) | Description | Type | Serial EEPROM and I ² C | Default |
|---|--|------|------------------------------------|---------|
| UTP Bytes 8 through 11. Used for Digital Far-End Loopback testing. | | | | |
| <i>Note:</i> A 16-byte test pattern can be written to register offsets 210h through 21Ch. When User Test Pattern (UTP) transmission is enabled, Byte 0 of register offset 210h is transmitted first and Byte 3 (Byte 15 of the UTP) of register offset 21Ch is transmitted last. (Refer to Section 16.2.3, "Digital Loopback Master Mode," for further details.) Every byte of the UTP can be a control or data character. Illegal control characters can be specified. | | | | |
| 7:0 | Byte 8 of the UTP. This is the ninth byte transferred. | RW | Yes | 00h |
| 15:8 | Byte 9 of the UTP. | RW | Yes | 00h |
| 23:16 | Byte 10 of the UTP. | RW | Yes | 00h |
| 31:24 | Byte 11 of the UTP. | RW | Yes | 00h |

Register 12-72. 21Ch Physical Layer User Test Pattern, Bytes 12 through 15
(Only Ports 0, 4, and 8 (Port 0 is for Station 0 Ports, Port 4 is for Station 1 Ports, Port 8 is for Station 2 Ports), and also NT Port Virtual Interface if Port 0 is the NT Port)

| Bit(s) | Description | Type | Serial EEPROM and I ² C | Default |
|---|--|------|------------------------------------|---------|
| UTP Bytes 12 through 15. Used for Digital Far-End Loopback testing. | | | | |
| <i>Note:</i> A 16-byte test pattern can be written to register offsets 210h through 21Ch. When User Test Pattern (UTP) transmission is enabled, Byte 0 of register offset 210h is transmitted first and Byte 3 (Byte 15 of the UTP) of register offset 21Ch is transmitted last. (Refer to Section 16.2.3, "Digital Loopback Master Mode," for further details.) Every byte of the UTP can be a control or data character. Illegal control characters can be specified. | | | | |
| 7:0 | Byte 12 of the UTP. This is the thirteenth byte transferred. | RW | Yes | 00h |
| 15:8 | Byte 13 of the UTP. | RW | Yes | 00h |
| 23:16 | Byte 14 of the UTP. | RW | Yes | 00h |
| 31:24 | Byte 15 of the UTP. | RW | Yes | 00h |

Register 12-73. 220h Physical Layer Command and Status (Only Ports 0, 4, and 8 (Port 0 is for Station 0 Ports, Port 4 is for Station 1 Ports, Port 8 is for Station 2 Ports), and also NT Port Virtual Interface if Port 0 is the NT Port)

| Bit(s) | Description | Type | Serial EEPROM and I ² C | Default |
|---|--|-------|------------------------------------|---|
| This register provides various Command and Status bits for PHY operation. | | | | |
| 2:0 | <p>Number of Ports Available in the Station Returns the quantity of enabled Ports that this Station contains, based upon the selected Port configuration.</p> | RO | No | Set by STRAP_STN _x _PORTCFG _x input levels, or by serial EEPROM value for the Port Configuration register <i>Port Configuration for Station x</i> bits (Port 0, and also NT Port Virtual Interface if Port 0 is the NT Port, offset 574h[5:0]) |
| 3 | <p>Upstream Cross-Link Enable 0 = Disables upstream cross-link, upstream Port cannot be connected to another upstream Port 1 = Enables upstream cross-link, upstream Port can be connected to another upstream Port</p> | RWS | Yes | 1 |
| 4 | <p>Downstream Cross-Link Enable 0 = Disables downstream cross-link, downstream Ports cannot be connected to other downstream Ports 1 = Enables downstream cross-link, downstream Ports can be connected to other downstream Ports</p> | RWS | Yes | 1 |
| 5 | <p>Lane Reversal Disable 0 = Enables Lane reversal on all Ports 1 = Disables Lane reversal on all Ports</p> | RWS | Yes | 0 |
| 6 | Reserved | RsvdP | No | 0 |
| 7 | <p>Elastic Buffer Low-Latency Mode Disable 0 = Enables Elastic Buffer Low-Latency mode. 1 = Disables Elastic Buffer Low-Latency mode. Latency through the Elastic buffer is increased from 4 symbol times, to 7 symbol times, on all Lanes.</p> | RWS | Yes | 0 |

Register 12-73. 220h Physical Layer Command and Status (Only Ports 0, 4, and 8 (Port 0 is for Station 0 Ports, Port 4 is for Station 1 Ports, Port 8 is for Station 2 Ports), and also NT Port Virtual Interface if Port 0 is the NT Port) (Cont.)

| Bit(s) | Description | Type | Serial EEPROM and I ² C | Default |
|--------|--|------|------------------------------------|---------|
| 15:8 | <p>N_FTS Value Number of Fast Training Sets (N_FTS) value to transmit (in Training Sets).</p> | RWS | Yes | 64h |
| 31:16 | <p>User Test Pattern Control/Data The UTP generators send out a set of 16 bytes of User Programmable data. A k-code bit can be Set for each byte. Bit 16 corresponds to Byte 0 of the User Test Pattern. ... Bit 31 corresponds to Byte 15 of the User Test Pattern. 0 = Corresponding byte of the User Test Pattern is transmitted as a Data character 1 = Corresponding byte of the User Test Pattern is transmitted as a Control character <i>Note: Use caution when Setting bits in this field, because UTP logic does not check the validity of Control characters.</i></p> | RWS | Yes | 0000h |

Register 12-74. 228h Physical Layer Test (Only Ports 0, 4, and 8 (Port 0 is for Station 0 Ports, Port 4 is for Station 1 Ports, Port 8 is for Station 2 Ports), and also NT Port Virtual Interface if Port 0 is the NT Port)

| Bit(s) | Description | Type | Serial EEPROM and I ² C | Default |
|---|---|-------|------------------------------------|---------|
| This register provides controls to enable the various PHY test modes. | | | | |
| <i>Notes: For bits that reference SerDes modules, refer to Table 12-19 for the relationship between the Port 0, 4, or 8 parameters and SerDes modules. SerDes modules and Lanes marked “Factory Test Only” are associated with bits that are RsvdP and not serial EEPROM nor I²C writable.</i> | | | | |
| 0 | Port 0, 4, or 8 Timer Test Mode Enable 0 = Normal PHY Timer parameters are used 1 = Millisecond scale timers in the Port’s LTSSM are reduced to microsecond scale | RW | Yes | 0 |
| 1 | Port 1, 5, or 9 Timer Test Mode Enable 0 = Normal PHY Timer parameters are used 1 = Millisecond scale timers in the Port’s LTSSM are reduced to microsecond scale | RW | Yes | 0 |
| 2 | Port 6 Timer Test Mode Enable 0 = Normal PHY Timer parameters are used 1 = Millisecond scale timers in the Port’s LTSSM are reduced to microsecond scale | RW | Yes | 0 |
| 3 | Factory Test Only | RsvdP | No | 0 |
| 4 | Skip Timer Test Mode Enable 0 = Disables Skip Timer Test mode. 1 = Enables Skip Timer Test mode. SKIP Ordered-Sets are transmitted every 256 symbol times, on all Ports, regardless of the SKIP Ordered-Set Interval register <i>SKIP Ordered-Set Interval</i> field (offset 234h[11:0]) value. | RW | Yes | 0 |
| 5 | TCB Capture Disable 0 = Training Control Bit (TCB) Capture is enabled 1 = Disables TCB Capture | RWS | Yes | 0 |
| 6 | Analog Loopback Enable 0 = PEX 8624 enters Digital Loopback Slave mode if an external device sends at least two consecutive TS1 Ordered-Sets that have the <i>Loopback</i> bit exclusively Set in the TS1 Training Control symbol. The PEX 8624 then loops back data through the Elastic buffer, 8b/10b decoder, and 8b/10b encoder. 1 = PEX 8624 enters Analog Loopback Slave mode if an external device sends at least two consecutive TS1 Ordered-Sets that have the <i>Loopback</i> bit exclusively Set in the TS1 Training Control symbol. The PEX 8624 then loops back the symbol stream from the 10-bit Receive interface (before the Elastic buffer) to the 10-bit Transmit interface. | RWS | Yes | 0 |
| 7 | Factory Test Only | RsvdP | No | 0 |
| 15:8 | Factory Test Only | RW | Yes | 00h |

Register 12-74. 228h Physical Layer Test (Only Ports 0, 4, and 8 (Port 0 is for Station 0 Ports, Port 4 is for Station 1 Ports, Port 8 is for Station 2 Ports), and also NT Port Virtual Interface if Port 0 is the NT Port) (Cont.)

| Bit(s) | Description | Type | Serial EEPROM and I ² C | Default |
|--------|---|------|------------------------------------|---------|
| 16 | <p>SerDes Quad 0 PRBS Enable</p> <p>0 = Disables PRBS sequence generation/checking on SerDes[0-3]/[32-35], by Station.</p> <p>1 = Enables PRBS sequence generation/checking on SerDes[0-3]/[32-35], by Station. The corresponding SerDes quad will transmit the PRBS 7 data pattern.</p> <p><i>Notes: Bits [19:16 and 31:28] (SerDes Quad x PRBS Enable and User Test Pattern Enable, respectively) are mutually exclusive functions and must not be enabled together for the same SerDes quad. In each Station register (Ports 0, 4, and 8), the logical result of bits [19:16] ANDed with bits [31:28] must be 0000b.</i></p> <p><i>PRBS transmission should be enabled only when operating as a Loopback Master, or when the LTSSM has returned to the Detect.Quiet state and the corresponding Port's Port Control register Port x Quiet bit (Ports 0, 4, and 8, offset 234h[22:20]) is Set.</i></p> | RW | Yes | 0 |
| 17 | <p>SerDes Quad 1 PRBS Enable</p> <p>0 = Disables PRBS sequence generation/checking on SerDes[4-7]/[36-39], by Station.</p> <p>1 = Enables PRBS sequence generation/checking on SerDes[4-7]/[36-39], by Station. The corresponding SerDes quad will transmit the PRBS 7 data pattern.</p> <p><i>Notes: Bits [19:16 and 31:28] (SerDes Quad x PRBS Enable and User Test Pattern Enable, respectively) are mutually exclusive functions and must not be enabled together for the same SerDes quad. In each Station register (Ports 0, 4, and 8), the logical result of bits [19:16] ANDed with bits [31:28] must be 0000b.</i></p> <p><i>PRBS transmission should be enabled only when operating as a Loopback Master, or when the LTSSM has returned to the Detect.Quiet state and the corresponding Port's Port Control register Port x Quiet bit (Ports 0, 4, and 8, offset 234h[22:20]) is Set.</i></p> | RW | Yes | 0 |

Register 12-74. 228h Physical Layer Test (Only Ports 0, 4, and 8 (Port 0 is for Station 0 Ports, Port 4 is for Station 1 Ports, Port 8 is for Station 2 Ports), and also NT Port Virtual Interface if Port 0 is the NT Port) (Cont.)

| Bit(s) | Description | Type | Serial EEPROM and I ² C | Default |
|--------|--|------|------------------------------------|---------|
| 18 | <p>SerDes Quad 2 PRBS Enable The Port 0 bit is <i>Factory Test Only</i>.</p> <p>0 = Disables PRBS sequence generation/checking on SerDes[24-27], by Station. 1 = Enables PRBS sequence generation/checking on SerDes[24-27], by Station. The corresponding SerDes quad will transmit the PRBS 7 data pattern.</p> <p><i>Notes: Bits [19:16 and 31:28] (SerDes Quad x PRBS Enable and User Test Pattern Enable, respectively) are mutually exclusive functions and must not be enabled together for the same SerDes quad. In each Station register (Ports 0, 4, and 8), the logical result of bits [19:16] ANDed with bits [31:28] must be 0000b.</i></p> <p><i>PRBS transmission should be enabled only when operating as a Loopback Master, or when the LTSSM has returned to the Detect.Quiet state and the corresponding Port's Port Control register Port x Quiet bit (Ports 0, 4, and 8, offset 234h[22:20]) is Set.</i></p> | RW | Yes | 0 |
| 19 | <p>SerDes Quad 3 PRBS Enable The Port 0 bit is <i>Factory Test Only</i>.</p> <p>0 = Disables PRBS sequence generation/checking on SerDes[28-31], by Station. 1 = Enables PRBS sequence generation/checking on SerDes[28-31], by Station. The corresponding SerDes quad will transmit the PRBS 7 data pattern.</p> <p><i>Notes: Bits [19:16 and 31:28] (SerDes Quad x PRBS Enable and User Test Pattern Enable, respectively) are mutually exclusive functions and must not be enabled together for the same SerDes quad. In each Station register (Ports 0, 4, and 8), the logical result of bits [19:16] ANDed with bits [31:28] must be 0000b.</i></p> <p><i>PRBS transmission should be enabled only when operating as a Loopback Master, or when the LTSSM has returned to the Detect.Quiet state and the corresponding Port's Port Control register Port x Quiet bit (Ports 0, 4, and 8, offset 234h[22:20]) is Set.</i></p> | RW | Yes | 0 |

Register 12-74. 228h Physical Layer Test (Only Ports 0, 4, and 8 (Port 0 is for Station 0 Ports, Port 4 is for Station 1 Ports, Port 8 is for Station 2 Ports), and also NT Port Virtual Interface if Port 0 is the NT Port) (Cont.)

| Bit(s) | Description | Type | Serial EEPROM and I ² C | Default |
|--------|--|------|------------------------------------|---------|
| 20 | <p>SerDes Quad 0 Serial Loopback Path Enable Serial <i>Loopback</i> Path enable for Lanes[0-3]/[32-35], by Station.</p> <p>1 = Corresponding SerDes quad enables the Serial <i>Loopback</i> (Master) path, regardless of the LTSSM state</p> | RW | Yes | 0 |
| 21 | <p>SerDes Quad 1 Serial Loopback Path Enable Serial <i>Loopback</i> Path enable for SerDes[4-7]/[36-39], by Station.</p> <p>1 = Corresponding SerDes quad enables the Serial <i>Loopback</i> (Master) path, regardless of the LTSSM state</p> | RW | Yes | 0 |
| 22 | <p>SerDes Quad 2 Serial Loopback Path Enable Serial <i>Loopback</i> Path enable for SerDes[24-27], by Station. The Port 0 bit is Factory Test Only.</p> <p>1 = Corresponding SerDes quad enables the Serial <i>Loopback</i> (Master) path, regardless of the LTSSM state</p> | RW | Yes | 0 |
| 23 | <p>SerDes Quad 3 Serial Loopback Path Enable Serial <i>Loopback</i> Path enable for SerDes[28-31], by Station. The Port 0 bit is Factory Test Only.</p> <p>1 = Corresponding SerDes quad enables the Serial <i>Loopback</i> (Master) path, regardless of the LTSSM state</p> | RW | Yes | 0 |
| 24 | <p>SerDes Quad 0 Parallel Loopback Path Enable Parallel <i>Loopback</i> Path enable for SerDes[0-3]/[32-35], by Station.</p> <p>1 = SerDes Quad 0 enables the Parallel <i>Loopback</i> (Slave) path, regardless of the LTSSM state. If bit 4 (<i>Skip Timer Test Mode Enable</i>) is Set, the <i>Loopback</i> path is located before the Elastic buffer. Otherwise, the <i>Loopback</i> path is located after the 8b/10b decoder.</p> | RW | Yes | 0 |
| 25 | <p>SerDes Quad 1 Parallel Loopback Path Enable Parallel <i>Loopback</i> Path enable for SerDes[4-7]/[36-39], by Station.</p> <p>1 = SerDes Quad 1 enables the Parallel <i>Loopback</i> (Slave) path, regardless of the LTSSM state. If bit 4 (<i>Skip Timer Test Mode Enable</i>) is Set, the <i>Loopback</i> path is located before the Elastic buffer. Otherwise, the <i>Loopback</i> path is located after the 8b/10b decoder.</p> | RW | Yes | 0 |
| 26 | <p>SerDes Quad 2 Parallel Loopback Path Enable Parallel <i>Loopback</i> Path enable for SerDes[24-27], by Station. The Port 0 bit is Factory Test Only.</p> <p>1 = SerDes Quad 2 enables the Parallel <i>Loopback</i> (Slave) path, regardless of the LTSSM state. If bit 4 (<i>Skip Timer Test Mode Enable</i>) is Set, the <i>Loopback</i> path is located before the Elastic buffer. Otherwise, the <i>Loopback</i> path is located after the 8b/10b decoder.</p> | RW | Yes | 0 |
| 27 | <p>SerDes Quad 3 Parallel Loopback Path Enable Parallel <i>Loopback</i> Path enable for SerDes[28-31], by Station. The Port 0 bit is Factory Test Only.</p> <p>1 = SerDes Quad 3 enables the Parallel <i>Loopback</i> (Slave) path, regardless of the LTSSM state. If bit 4 (<i>Skip Timer Test Mode Enable</i>) is Set, the <i>Loopback</i> path is located before the Elastic buffer. Otherwise, the <i>Loopback</i> path is located after the 8b/10b decoder.</p> | RW | Yes | 0 |

Register 12-74. 228h Physical Layer Test (Only Ports 0, 4, and 8 (Port 0 is for Station 0 Ports, Port 4 is for Station 1 Ports, Port 8 is for Station 2 Ports), and also NT Port Virtual Interface if Port 0 is the NT Port) (Cont.)

| Bit(s) | Description | Type | Serial EEPROM and I ² C | Default |
|--------|---|------|------------------------------------|---------|
| 28 | <p>SerDes Quad 0 User Test Pattern Enable User Test Pattern enable for SerDes[0-3]/[32-35], by Station.</p> <p>0 = Disables transmission of the 128-bit test pattern 1 = Enables transmission of the 128-bit test pattern (Physical Layer User Test Pattern, Bytes x through y registers (Port 0, 4, or 8, and also NT Port Virtual Interface if Port 0 is the NT Port, offsets 210h through 21Ch)) on SerDes[0-3]/[32-35] in Digital Far-End Loopback Master mode</p> <p><i>Notes: Bits [31:28 and 19:16] (SerDes Quad x User Test Pattern Enable and PRBS Enable, respectively) are mutually exclusive functions and must not be enabled together for the same SerDes quad. In each Station register (Ports 0, 4, and 8), the logical result of bits [31:28] ANDed with bits [19:16] must be 0000b.</i></p> <p><i>UTP transmission should be enabled only when operating as a Loopback Master, or when the LTSSM has returned to the Detect.Quiet state and the corresponding Port's Port Control register Port x Quiet bit (Ports 0, 4, and 8, offset 234h[22:20]) is Set.</i></p> | RW | Yes | 0 |
| 29 | <p>SerDes Quad 1 User Test Pattern Enable User Test Pattern enable for SerDes[4-7]/[36-39], by Station.</p> <p>0 = Disables transmission of the 128-bit test pattern 1 = Enables transmission of the 128-bit test pattern (Physical Layer User Test Pattern, Bytes x through y registers (Port 0, 4, or 8, and also NT Port Virtual Interface if Port 0 is the NT Port, offsets 210h through 21Ch)) on SerDes[4-7]/[36-39] in Digital Far-End Loopback Master mode</p> <p><i>Notes: Bits [31:28 and 19:16] (SerDes Quad x User Test Pattern Enable and PRBS Enable, respectively) are mutually exclusive functions and must not be enabled together for the same SerDes quad. In each Station register (Ports 0, 4, and 8), the logical result of bits [31:28] ANDed with bits [19:16] must be 0000b.</i></p> <p><i>UTP transmission should be enabled only when operating as a Loopback Master, or when the LTSSM has returned to the Detect.Quiet state and the corresponding Port's Port Control register Port x Quiet bit (Ports 0, 4, and 8, offset 234h[22:20]) is Set.</i></p> | RW | Yes | 0 |

Register 12-74. 228h Physical Layer Test (Only Ports 0, 4, and 8 (Port 0 is for Station 0 Ports, Port 4 is for Station 1 Ports, Port 8 is for Station 2 Ports), and also NT Port Virtual Interface if Port 0 is the NT Port) (Cont.)

| Bit(s) | Description | Type | Serial EEPROM and I ² C | Default |
|--------|---|------|------------------------------------|---------|
| 30 | <p>SerDes Quad 2 User Test Pattern Enable User Test Pattern enable for SerDes[24-27], by Station. The Port 0 bit is <i>Factory Test Only</i>.</p> <p>0 = Disables transmission of the 128-bit test pattern 1 = Enables transmission of the 128-bit test pattern (Physical Layer User Test Pattern, Bytes x through y registers (Port 0, 4, or 8, and also NT Port Virtual Interface if Port 0 is the NT Port, offsets 210h through 21Ch)) on SerDes[24-27] in Digital Far-End Loopback Master mode</p> <p><i>Notes: Bits [31:28 and 19:16] (SerDes Quad x User Test Pattern Enable and PRBS Enable, respectively) are mutually exclusive functions and must not be enabled together for the same SerDes quad. In each Station register (Ports 0, 4, and 8), the logical result of bits [31:28] ANDed with bits [19:16] must be 0000b.</i></p> <p><i>UTP transmission should be enabled only when operating as a Loopback Master, or when the LTSSM has returned to the Detect.Quiet state and the corresponding Port's Port Control register Port x Quiet bit (Ports 0, 4, and 8, offset 234h[22:20]) is Set.</i></p> | RW | Yes | 0 |
| 31 | <p>SerDes Quad 3 User Test Pattern Enable User Test Pattern enable for SerDes[28-31], by Station. The Port 0 bit is <i>Factory Test Only</i>.</p> <p>0 = Disables transmission of the 128-bit test pattern 1 = Enables transmission of the 128-bit test pattern (Physical Layer User Test Pattern, Bytes x through y registers (Port 0, 4, or 8, and also NT Port Virtual Interface if Port 0 is the NT Port, offsets 210h through 21Ch)) on SerDes[28-31] in Digital Far-End Loopback Master mode</p> <p><i>Notes: Bits [31:28 and 19:16] (SerDes Quad x User Test Pattern Enable and PRBS Enable, respectively) are mutually exclusive functions and must not be enabled together for the same SerDes quad. In each Station register (Ports 0, 4, and 8), the logical result of bits [31:28] ANDed with bits [19:16] must be 0000b.</i></p> <p><i>UTP transmission should be enabled only when operating as a Loopback Master, or when the LTSSM has returned to the Detect.Quiet state and the corresponding Port's Port Control register Port x Quiet bit (Ports 0, 4, and 8, offset 234h[22:20]) is Set.</i></p> | RW | Yes | 0 |

Register 12-75. 230h Physical Layer Port Command (Only Ports 0, 4, and 8, and also NT Port Virtual Interface if Port 0 is the NT Port)

| Bit(s) | Description | Type | Serial EEPROM and I ² C | Default |
|--|--|------|------------------------------------|---------|
| <p>This register provides the Loopback, Scrambler Disable, and Compliance Receive commands, and Ready as Loopback Master status, for each Port.</p> <p><i>Note: The Port bit controls individual Ports within each Station, as defined in Table 12-21. Factory Test Only bits are RsvdP and not serial EEPROM nor I²C writable.</i></p> | | | | |
| 0 | <p>Port 0, 4, or 8 Loopback Command The Port 4 bit is Factory Test Only. 0 = Port 0 or 8 is not enabled to go to the <i>Loopback</i> Master state. 1 = Port 0 or 8 attempts to enter the <i>Loopback</i> state as a Loopback Master. If this bit is Set before the <i>Configuration</i> state is reached, the <i>Configuration.Linkwidth.Start</i> to <i>Loopback</i> path is used. If this bit is Set later, the <i>Recovery.Idle</i> to <i>Loopback</i> path is used.</p> | RW | Yes | 0 |
| 1 | <p>Port 0, 4, or 8 Scrambler Disable Command The Port 4 bit is Factory Test Only. When Set, unconditionally disables the data scramblers on the corresponding Port's Lanes, and causes the <i>Disable Scrambling Training Control Bit</i> to be Set in the transmitted Training Sets. There is one bit for each Port in the associated Station. If a serial EEPROM load Sets this bit, the scrambler is disabled in a <i>Configuration.Complete</i> state. If software Sets this bit when the Link is in the Up state, hardware immediately disables its scrambler without executing the Link Training protocol. The upstream/downstream device scrambler will not be disabled. 0 = Port 0 or 8 scrambler is enabled 1 = Port 0 or 8 scrambler is disabled</p> | RW | Yes | 0 |
| 2 | <p>Port 0, 4, or 8 Compliance Receive Command The Port 4 bit is Factory Test Only. 0 = When the Port transmits TS1 Ordered-Sets, the <i>Compliance Receive Training Control Bit</i> within these Ordered-Sets is de-asserted 1 = When the Port transmits TS1 Ordered-Sets, the <i>Compliance Receive Training Control Bit</i> within these Ordered Sets is asserted</p> | RW | Yes | 0 |
| 3 | <p>Port 0, 4, or 8 Ready as Loopback Master Link Training and Status State Machine (LTSSM) established Loopback as a Master for the corresponding PEX 8624 Port. The Port 4 bit is Factory Test Only. 0 = Port 0 or 8 is not in Loopback Master mode. 1 = Indicates that Port 0 or 8 has successfully transitioned to the <i>Loopback.Active</i> state as a Loopback Master. The LTSSM remains in this state, until bit 0 (<i>Port 0, 4, or 8 Loopback Command</i>) is Cleared. This bit is Cleared when the PEX 8624 exits the <i>Loopback.Active</i> state.</p> | RO | No | 0 |

Register 12-75. 230h Physical Layer Port Command (Only Ports 0, 4, and 8, and also NT Port Virtual Interface if Port 0 is the NT Port) (Cont.)

| Bit(s) | Description | Type | Serial EEPROM and I ² C | Default |
|--------|---|------|------------------------------------|---------|
| 4 | <p>Port 1, 5, or 9 Loopback Command</p> <p>0 = Port 1, 5, or 9 is not enabled to go to the <i>Loopback</i> Master state. 1 = Port 1, 5, or 9 attempts to enter the <i>Loopback</i> state as a Loopback Master. If this bit is Set before the <i>Configuration</i> state is reached, the <i>Configuration.Linkwidth.Start</i> to <i>Loopback</i> path is used. If this bit is Set later, the <i>Recovery.Idle</i> to <i>Loopback</i> path is used.</p> | RW | Yes | 0 |
| 5 | <p>Port 1, 5, or 9 Scrambler Disable Command</p> <p>When Set, unconditionally disables the data scramblers on the corresponding Port's Lanes, and causes the <i>Disable Scrambling Training Control</i> Bit to be Set in the transmitted Training Sets. There is one bit for each Port in the associated Station.</p> <p>If a serial EEPROM load Sets this bit, the scrambler is disabled in a <i>Configuration.Complete</i> state.</p> <p>If software Sets this bit when the Link is in the Up state, hardware immediately disables its scrambler without executing the Link Training protocol. The upstream/downstream device scrambler will not be disabled.</p> <p>0 = Port 1, 5, or 9 scrambler is enabled 1 = Port 1, 5, or 9 scrambler is disabled</p> | RW | Yes | 0 |
| 6 | <p>Port 1, 5, or 9 Compliance Receive Command</p> <p>0 = When the Port transmits TS1 Ordered-Sets, the <i>Compliance Receive Training Control</i> Bit within these Ordered-Sets is de-asserted 1 = When the Port transmits TS1 Ordered-Sets, the <i>Compliance Receive Training Control</i> Bit within these Ordered Sets is asserted</p> | RW | Yes | 0 |
| 7 | <p>Port 1, 5, or 9 Ready as Loopback Master</p> <p>LTSSM established Loopback as a Master for the corresponding PEX 8624 Port.</p> <p>0 = Port 1, 5, or 9 is not in Loopback Master mode. 1 = Indicates that Port 1, 5, or 9 has successfully transitioned to the <i>Loopback.Active</i> state as a Loopback Master. The LTSSM remains in this state, until bit 4 (<i>Port 1, 5, or 9 Loopback Command</i>) is Cleared. This bit is Cleared when the PEX 8624 exits the <i>Loopback.Active</i> state.</p> | RO | No | 0 |

Register 12-75. 230h Physical Layer Port Command (Only Ports 0, 4, and 8, and also NT Port Virtual Interface if Port 0 is the NT Port) (Cont.)

| Bit(s) | Description | Type | Serial EEPROM and I ² C | Default |
|--------|---|-------|------------------------------------|---------|
| 8 | Port 6 Loopback Command 0 = Port 6 is not enabled to go to the <i>Loopback</i> Master state. 1 = Port 6 attempts to enter the <i>Loopback</i> state as a Loopback Master. If this bit is Set before the <i>Configuration</i> state is reached, the <i>Configuration.Linkwidth.Start</i> to <i>Loopback</i> path is used. If this bit is Set later, the <i>Recovery.Idle</i> to <i>Loopback</i> path is used. | RW | Yes | 0 |
| 9 | Port 6 Scrambler Disable Command When Set, unconditionally disables the data scramblers on the corresponding Port's Lanes, and causes the <i>Disable Scrambling Training Control Bit</i> to be Set in the transmitted Training Sets. There is one bit for each Port in the associated Station. If a serial EEPROM load Sets this bit, the scrambler is disabled in a <i>Configuration.Complete</i> state. If software Sets this bit when the Link is in the Up state, hardware immediately disables its scrambler without executing the Link Training protocol. The upstream/downstream device scrambler will not be disabled. 0 = Port 6 scrambler is enabled 1 = Port 6 scrambler is disabled | RW | Yes | 0 |
| 10 | Port 6 Compliance Receive Command 0 = When the Port transmits TS1 Ordered-Sets, the <i>Compliance Receive Training Control Bit</i> within these Ordered-Sets is de-asserted 1 = When the Port transmits TS1 Ordered-Sets, the <i>Compliance Receive Training Control Bit</i> within these Ordered Sets is asserted | RW | Yes | 0 |
| 11 | Port 6 Ready as Loopback Master LTSSM established Loopback as a Master for the corresponding PEX 8624 Port. 0 = Port 6 is not in Loopback Master mode. 1 = Indicates that Port 6 has successfully transitioned to the <i>Loopback.Active</i> state as a Loopback Master. The LTSSM remains in this state, until bit 8 (<i>Port 6 Loopback Command</i>) is Cleared. This bit is Cleared when the PEX 8624 exits the <i>Loopback.Active</i> state. | RO | No | 0 |
| 15:12 | Factory Test Only | RsvdP | No | 0h |
| 31:16 | Reserved | RsvdP | No | 0000h |

Table 12-21. Port Bit to Port Control Relationship, by Station, for Register Offset 230h

| Bit(s) | Station 0 Port 0 Bit Controls Port | Station 1 Port 4 Bit Controls Port | Station 2 Port 8 Bit Controls Port |
|--------|---------------------------------------|---------------------------------------|---------------------------------------|
| 3:0 | 0 | <i>Factory Test Only</i> | 8 |
| 7:4 | 1 | 5 | 9 |
| 11:8 | <i>Factory Test Only</i> | 6 | <i>Factory Test Only</i> |

Register 12-76. 234h SKIP Ordered-Set Interval and Port Control
(Only Ports 0, 4, and 8, and also NT Port Virtual Interface if Port 0 is the NT Port)

| Bit(s) | Description | Type | Serial EEPROM and I ² C | Default |
|---|---|-------|------------------------------------|---------|
| SKIP Ordered-Set Interval | | | | |
| This register is used to adjust the distance between SKIP Ordered-Sets. | | | | |
| 11:0 | <p>SKIP Ordered-Set Interval Specifies the SKIP Ordered-Set interval (in symbol times). When a value of 000h is written, SKIP Ordered-Set transmission is disabled.</p> <p>000h = SKIP Ordered-Set transmission is disabled 49Ch = Minimum interval (1,180 symbol times) 602h = Maximum interval (1,538 symbol times)</p> <p><i>Note: A high value (such as FFFh) can cause the Link to fail.</i></p> | RWS | Yes | 49Ch |
| 15:12 | Reserved | RsvdP | No | 0h |

Register 12-76. 234h SKIP Ordered-Set Interval and Port Control
(Only Ports 0, 4, and 8, and also NT Port Virtual Interface if Port 0 is the NT Port) (Cont.)

| Bit(s) | Description | Type | Serial EEPROM and I ² C | Default |
|---|--|------|------------------------------------|---------|
| Port Control | | | | |
| <p>This register is used to disable or enable the LTSSM within individual Ports. The Port Control bits are intended to be used in lieu of placing the Port into the <i>Loopback.Active</i> state as a Loopback Master. These bits enable the test patterns to be transmitted, with or without a device attached at the far end. The recommended usage is as follows:</p> <ol style="list-style-type: none"> Set the Port's <i>Disable Port x</i> and <i>Port x Quiet</i> bits (bits [18:16 and 22:20], respectively). <ul style="list-style-type: none"> Setting the Port's <i>Disable Port x</i> bit forces the Port into the <i>Detect.Quiet</i> state. If no device is attached, it is not necessary to Set the Port's <i>Disable Port x</i> bit. If 5.0 GT/s is needed, also Set the Port's <i>Test Pattern x Rate</i> bit (bits [27:24]). If Set, Clear the Port's <i>Disable Port x</i> bit. Load the UTP registers and enable UTP transmission, or just enable PRBS transmission. <p>Note: The Port bit controls individual Ports within each Station, as defined in Table 12-22. Factory Test Only bits are <i>RsvdP</i> and not serial EEPROM nor I²C writable.</p> | | | | |
| 16 | <p>Disable Port 0, 4, or 8</p> <p>When Set, unconditionally disables the corresponding Port. This is different from the Link Training and Status State Machine (LTSSM) <i>Disabled</i> state, in that the Port does not attempt to enter this state. If the Port is idle, it ceases attempting to detect a Receiver. If the Port is up, it immediately returns to the <i>Detect.Quiet</i> state and remains there. No Electrical Idle Ordered-Set (EIOS) is sent, which could force any connected device to the <i>Recovery</i> state, and then to the LTSSM <i>Detect</i> state. The Port remains disabled until its <i>Disable Port x</i> bit is Cleared. While the Port is disabled, the SerDes that belong to the disabled Port are placed into the L1 Link PM state. The Port 4 bit is Factory Test Only.</p> <p>Note: Because Port 4 is configured, but not used, Set Port 4, bit 16.</p> <p>0 = Enables Link Training operation on the corresponding Port 1 = LTSSM remains in the <i>Detect.Quiet</i> state on the corresponding Port if it is currently in, or returns to, that state</p> | RWS | Yes | 0 |
| 17 | <p>Disable Port 1, 5, or 9</p> <p>When Set, unconditionally disables the corresponding Port. This is different from the LTSSM <i>Disabled</i> state, in that the Port does not attempt to enter this state. If the Port is idle, it ceases attempting to detect a Receiver. If the Port is up, it immediately returns to the <i>Detect.Quiet</i> state and remains there. No Electrical Idle Ordered-Set is sent, which could force any connected device to the <i>Recovery</i> state, and then to the LTSSM <i>Detect</i> state. The Port remains disabled until its <i>Disable Port x</i> bit is Cleared. While the Port is disabled, the SerDes that belong to the disabled Port are placed into the L1 Link PM state.</p> <p>0 = Enables Link Training operation on the corresponding Port 1 = LTSSM remains in the <i>Detect.Quiet</i> state on the corresponding Port if it is currently in, or returns to, that state</p> | RWS | Yes | 0 |

**Register 12-76. 234h SKIP Ordered-Set Interval and Port Control
(Only Ports 0, 4, and 8, and also NT Port Virtual Interface if Port 0 is the NT Port) (Cont.)**

| Bit(s) | Description | Type | Serial EEPROM and I ² C | Default |
|--------|---|-------|------------------------------------|---------|
| 18 | <p>Disable Port 6</p> <p>When Set, unconditionally disables the corresponding Port. This is different from the LTSSM <i>Disabled</i> state, in that the Port does not attempt to enter this state. If the Port is idle, it ceases attempting to detect a Receiver. If the Port is up, it immediately returns to the <i>Detect.Quiet</i> state and remains there. No Electrical Idle Ordered-Set is sent, which could force any connected device to the <i>Recovery</i> state, and then to the LTSSM <i>Detect</i> state. The Port remains disabled until its <i>Disable Port x</i> bit is Cleared. While the Port is disabled, the SerDes that belong to the disabled Port are placed into the L1 Link PM state.</p> <p>0 = Enables Link Training operation on the corresponding Port 1 = LTSSM remains in the <i>Detect.Quiet</i> state on the corresponding Port if it is currently in, or returns to, that state</p> | RWS | Yes | 0 |
| 19 | <p>Factory Test Only</p> | RsvdP | No | 0 |
| 20 | <p>Port 0, 4, or 8 Quiet</p> <p>Unlike bit 16 (<i>Disable Port 0, 4, or 8</i>), this bit does not force the LTSSM into the <i>Detect.Quiet</i> state. Once in the <i>Detect.Quiet</i> state, Receiver termination is enabled and the Transmitters are placed in the L0 Link PM state. This Port can now transmit test patterns (PRBS or UTP), with or without an attached device and without being in the <i>Loopback.Active</i> state. The Port 4 bit is Factory Test Only.</p> <p>0 = No effect on the LTSSM. 1 = Port 0, 4, or 8 remains in the <i>Detect.Quiet</i> state once it returns there. This bit does not make the LTSSM exit its current state. Receiver termination remains active, and the Transmitters are placed into the L0 Link PM state (ready to transmit data) when the <i>Detect.Quiet</i> state is reached.</p> <p>Note: Use this bit when it is necessary to transmit some data pattern, without first entering the <i>Loopback.Active</i> state as a <i>Loopback Master</i>.</p> | RWS | Yes | 0 |
| 21 | <p>Port 1, 5, or 9 Quiet</p> <p>Unlike bit 17 (<i>Disable Port 1, 5, or 9</i>), this bit does not force the LTSSM into the <i>Detect.Quiet</i> state. Once in the <i>Detect.Quiet</i> state, Receiver termination is enabled and the Transmitters are placed in the L0 Link PM state. This Port can now transmit test patterns (PRBS or UTP), with or without an attached device and without being in the <i>Loopback.Active</i> state.</p> <p>0 = No effect on the LTSSM. 1 = Port 1, 5, or 9 remains in the <i>Detect.Quiet</i> state once it returns there. This bit does not make the LTSSM exit its current state. Receiver termination remains active, and the Transmitters are placed into the L0 Link PM state (ready to transmit data) when the <i>Detect.Quiet</i> state is reached.</p> <p>Note: Use this bit when it is necessary to transmit some data pattern, without first entering the <i>Loopback.Active</i> state as a <i>Loopback Master</i>.</p> | RWS | Yes | 0 |

Register 12-76. 234h SKIP Ordered-Set Interval and Port Control (Only Ports 0, 4, and 8, and also NT Port Virtual Interface if Port 0 is the NT Port) (Cont.)

| Bit(s) | Description | Type | Serial EEPROM and I ² C | Default |
|--------|--|-------|------------------------------------|---------|
| 22 | <p>Port 6 Quiet</p> <p>Unlike bit 18 (<i>Disable Port 6</i>), this bit does not force the LTSSM into the <i>Detect.Quiet</i> state. Once in the <i>Detect.Quiet</i> state, Receiver termination is enabled and the Transmitters are placed in the L0 Link PM state. This Port can now transmit test patterns (PRBS or UTP), with or without an attached device and without being in the <i>Loopback.Active</i> state.</p> <p>0 = No effect on the LTSSM. 1 = Port 6 remains in the <i>Detect.Quiet</i> state once it returns there. This bit does not make the LTSSM exit its current state. Receiver termination remains active, and the Transmitters are placed into the L0 Link PM state (ready to transmit data) when the <i>Detect.Quiet</i> state is reached.</p> <p><i>Note:</i> Use this bit when it is necessary to transmit some data pattern, without first entering the <i>Loopback.Active</i> state as a <i>Loopback Master</i>.</p> | RWS | Yes | 0 |
| 23 | Factory Test Only | RsvdP | No | 0 |
| 27:24 | <p>Test Pattern x Rate</p> <p>The corresponding Port transmits the selected test pattern (PRBS or UTP), at 5.0 GT/s, if the Port's <i>Port x Quiet</i> bit (bits [22:20]), is also Set.</p> <p>Bit 24 controls Test Pattern 0. Bit 25 controls Test Pattern 4. Bit 26 controls Test Pattern 8. Bit 27 controls Test Pattern 12.</p> | RWS | Yes | 0h |
| 31:28 | Reserved | RsvdP | No | 0h |

Table 12-22. Port Bit to Port Control Relationship, by Station, for Register Offset 234h

| Bit(s) | Station 0 Port 0 Bit Controls Port | Station 1 Port 4 Bit Controls Port | Station 2 Port 8 Bit Controls Port |
|--------|---------------------------------------|---------------------------------------|---------------------------------------|
| 16 | 0 | <i>Factory Test Only</i> | 8 |
| 17 | 1 | 5 | 9 |
| 18 | <i>Factory Test Only</i> | 6 | <i>Factory Test Only</i> |
| 20 | 0 | <i>Factory Test Only</i> | 8 |
| 21 | 1 | 5 | 9 |
| 22 | <i>Factory Test Only</i> | 6 | <i>Factory Test Only</i> |
| 27:24 | 0 | 4 | 8 |

Register 12-77. 238h SerDes Quad 0 Diagnostic Data (Only Ports 0, 4, and 8, and also NT Port Virtual Interface if Port 0 is the NT Port)

| Bit(s) | Description | Type | Serial EEPROM and I ² C | Default |
|---|---|-------|------------------------------------|---------|
| <p>There are four SerDes Quad x Diagnostic Data (Diagnostic Data) registers, one for each SerDes quad, at offsets 238h through 244h, in each Station. The contents of the Diagnostic Data registers reflect the performance of the SerDes that are selected by the registers' <i>SerDes Diagnostic Data Select</i> bits (field [25:24]). For example, if offset 23Ch[25:24] is programmed to 01b, then the information in that Diagnostic Data register is for SerDes 1 of Quad 1 of that Station (SerDes 5 or 37 in Stations 0 and 2, respectively; the Station 1 bits for that particular SerDes quad and SerDes are Factory Test Only).</p> <p>This register is used to retrieve Diagnostic Test results for SerDes[0-3]/[32-35].</p> <p>Note: Refer to Table 12-23 for the relationship between the Port 0, 4, or 8 parameters and SerDes modules and Lanes. SerDes modules and Lanes marked "Factory Test Only" are associated with bits that are RsvdP and not serial EEPROM nor I²C writable.</p> | | | | |
| 7:0 | <p>UTP Expected Data</p> <p>When User Test Pattern (UTP) is enabled, if an error is detected in the received UTP data, this field returns the expected data.</p> | RO | No | 00h |
| 15:8 | <p>UTP Actual Data</p> <p>When UTP is enabled, if an error is detected in the received UTP data, this field returns the actual data that was received.</p> | RO | No | 00h |
| 23:16 | <p>UTP/PRBS Error Counter</p> <p>Receiver Detected flags. Returns the number of errors detected by the UTP (bit 30 is Cleared) or PRBS (bit 30 is Set) Data Checkers. The Error Counter saturates at 255, and is Cleared when UTP/PRBS is disabled.</p> <p>UTP Mode</p> <p>To Clear the Counter, disable UTP mode by Clearing the Physical Layer Test register <i>SerDes Quad 0 User Test Pattern Enable</i> bit (offset 228h[28]).</p> <p>PRBS Mode</p> <p>To Clear the Counter, disable PRBS mode by Clearing the Physical Layer Test register <i>SerDes Quad 0 PRBS Enable</i> bit (offset 228h[16]).</p> | RO | No | 00h |
| 25:24 | <p>SerDes Diagnostic Data Select</p> <p>Used to select the SerDes (SerDes[0-3]/[32-35]) to which the diagnostic data in this SerDes quad pertains.</p> <p>Status selection code for the fields representing RO bits [23:0] of this register. The binary code represents a status selection for one of the SerDes Quad 0 Lanes. The test results for physical device Lanes [0-3]/[32-35] are selected with corresponding binary codes from 0-3.</p> <p>Note: To obtain diagnostic data on all SerDes in the quad, run a test, then cycle these bits.</p> | RW | Yes | 00b |
| 29:26 | Reserved | RO | No | 0h |
| 30 | <p>PRBS Counter/-UTP Counter</p> <p>0 = Indicates that field [23:16] (<i>UTP/PRBS Error Counter</i>) is the UTP Error Counter (diagnostic data is from the UTP Data Checkers)</p> <p>1 = Indicates that field [23:16] (<i>UTP/PRBS Error Counter</i>) is the PRBS Error Counter (diagnostic data is from the PRBS Data Checkers)</p> | RO | No | 0 |
| 31 | Reserved | RsvdP | No | 0 |

Register 12-78. 23Ch SerDes Quad 1 Diagnostic Data (Only Ports 0, 4, and 8, and also NT Port Virtual Interface if Port 0 is the NT Port)

| Bit(s) | Description | Type | Serial EEPROM and I ² C | Default |
|--|---|-------|------------------------------------|---------|
| <p>There are four SerDes Quad x Diagnostic Data (Diagnostic Data) registers, one for each SerDes quad, at offsets 238h through 244h, in each Station. The contents of the Diagnostic Data registers reflect the performance of the SerDes that are selected by the registers' <i>SerDes Diagnostic Data Select</i> bits (field [25:24]). For example, if field [25:24] of this register is programmed to 01b, then the information in that Diagnostic Data register is for SerDes 1 of Quad 1 of that Station (SerDes 5 or 37 in Stations 0 and 2, respectively; the Station 1 bits for that particular SerDes quad and SerDes are Factory Test Only).</p> <p>This register is used to retrieve Diagnostic Test results for SerDes[4-7]/[36-39].</p> <p><i>Note:</i> Refer to Table 12-23 for the relationship between the Port 0, 4, or 8 parameters and SerDes modules and Lanes. SerDes modules and Lanes marked "Factory Test Only" are associated with bits that are RsvdP and not serial EEPROM nor I²C writable.</p> | | | | |
| 7:0 | <p>UTP Expected Data</p> <p>When User Test Pattern (UTP) is enabled, if an error is detected in the Received UTP data, this field returns the expected data.</p> | RO | No | 00h |
| 15:8 | <p>UTP Actual Data</p> <p>When UTP is enabled, if an error is detected in the Received UTP data, this field returns the actual data that was received.</p> | RO | No | 00h |
| 23:16 | <p>UTP/PRBS Error Counter</p> <p>Receiver Detected flags. Returns the number of errors detected by the UTP (bit 30 is Cleared) or PRBS (bit 30 is Set) Data Checkers. The Error Counter saturates at 255, and is Cleared when UTP/PRBS is disabled.</p> <p>UTP Mode</p> <p>To Clear the Counter, disable UTP mode by Clearing the Physical Layer Test register <i>SerDes Quad 1 User Test Pattern Enable</i> bit (offset 228h[29]).</p> <p>PRBS Mode</p> <p>To Clear the Counter, disable PRBS mode by Clearing the Physical Layer Test register <i>SerDes Quad 1 PRBS Enable</i> bit (offset 228h[17]).</p> | RO | No | 00h |
| 25:24 | <p>SerDes Diagnostic Data Select</p> <p>Used to select the SerDes (SerDes[4-7]/[36-39]) to which the diagnostic data in this SerDes quad pertains.</p> <p>Status selection code for the fields representing RO bits [23:0] of this register. The binary code represents a status selection for one of the SerDes Quad 1 Lanes. The test results for physical device Lanes [4-7]/[36-39] are selected with corresponding binary codes from 0-3.</p> <p><i>Note:</i> To obtain diagnostic data on all SerDes in the quad, run a test, then cycle these bits.</p> | RW | Yes | 00b |
| 29:26 | Reserved | RO | No | 0h |
| 30 | <p>PRBS Counter/-UTP Counter</p> <p>0 = Indicates that field [23:16] (<i>UTP/PRBS Error Counter</i>) is the UTP Error Counter (diagnostic data is from the UTP Data Checkers)</p> <p>1 = Indicates that field [23:16] (<i>UTP/PRBS Error Counter</i>) is the PRBS Error Counter (diagnostic data is from the PRBS Data Checkers)</p> | RO | No | 0 |
| 31 | Reserved | RsvdP | No | 0 |

Register 12-79. 240h SerDes Quad 2 Diagnostic Data (Only Ports 0, 4, and 8, and also NT Port Virtual Interface if Port 0 is the NT Port)

| Bit(s) | Description | Type | Serial EEPROM and I ² C | Default |
|---|---|-------|------------------------------------|---------|
| <p>There are four SerDes Quad x Diagnostic Data (Diagnostic Data) registers, one for each SerDes quad, at offsets 238h through 244h, in each Station. The contents of the Diagnostic Data registers reflect the performance of the SerDes that are selected by the registers' <i>SerDes Diagnostic Data Select</i> bits (field [25:24]). For example, if offset 23Ch[25:24] is programmed to 01b, then the information in that Diagnostic Data register is for SerDes 1 of Quad 1 of that Station (SerDes 5 or 37 in Stations 0 and 2, respectively; the Station 1 bits for that particular SerDes quad and SerDes are Factory Test Only).</p> <p>This register is used to retrieve Diagnostic Test results for SerDes[24-27].</p> <p>Note: Refer to Table 12-23 for the relationship between the Port 0, 4, or 8 parameters and SerDes modules and Lanes. SerDes modules and Lanes marked "Factory Test Only" are associated with bits that are RsvdP and not serial EEPROM nor I²C writable.</p> | | | | |
| 7:0 | <p>UTP Expected Data</p> <p>When User Test Pattern (UTP) is enabled, if an error is detected in the Received UTP data, this field returns the expected data.</p> | RO | No | 00h |
| 15:8 | <p>UTP Actual Data</p> <p>When UTP is enabled, if an error is detected in the Received UTP data, this field returns the actual data that was received.</p> | RO | No | 00h |
| 23:16 | <p>UTP/PRBS Error Counter</p> <p>Receiver Detected flags. Returns the number of errors detected by the UTP (bit 30 is Cleared) or PRBS (bit 30 is Set) Data Checkers. The Error Counter saturates at 255, and is Cleared when UTP/PRBS is disabled.</p> <p>UTP Mode</p> <p>To Clear the Counter, disable UTP mode by Clearing the Physical Layer Test register <i>SerDes Quad 2 User Test Pattern Enable</i> bit (offset 228h[30]).</p> <p>PRBS Mode</p> <p>To Clear the Counter, disable PRBS mode by Clearing the Physical Layer Test register <i>SerDes Quad 2 PRBS Enable</i> bit (offset 228h[18]).</p> | RO | No | 00h |
| 25:24 | <p>SerDes Diagnostic Data Select</p> <p>Used to select the SerDes (SerDes[24-27]) to which the diagnostic data in this SerDes quad pertains.</p> <p>Status selection code for the fields representing RO bits [23:0] of this register. The binary code represents a status selection for one of the SerDes Quad 2 Lanes. The test results for physical device Lanes [24-27] are selected with corresponding binary codes from 0-3.</p> <p>Note: To obtain diagnostic data on all SerDes in the quad, run a test, then cycle these bits.</p> | RW | Yes | 00b |
| 29:26 | Reserved | RO | No | 0h |
| 30 | <p>PRBS Counter/-UTP Counter</p> <p>0 = Indicates that field [23:16] (<i>UTP/PRBS Error Counter</i>) is the UTP Error Counter (diagnostic data is from the UTP Data Checkers)</p> <p>1 = Indicates that field [23:16] (<i>UTP/PRBS Error Counter</i>) is the PRBS Error Counter (diagnostic data is from the PRBS Data Checkers)</p> | RO | No | 0 |
| 31 | Reserved | RsvdP | No | 0 |

Register 12-80. 244h SerDes Quad 3 Diagnostic Data (Only Ports 0, 4, and 8, and also NT Port Virtual Interface if Port 0 is the NT Port)

| Bit(s) | Description | Type | Serial EEPROM and I ² C | Default |
|---|---|-------|------------------------------------|---------|
| <p>There are four SerDes Quad x Diagnostic Data (Diagnostic Data) registers, one for each SerDes quad, at offsets 238h through 244h, in each Station. The contents of the Diagnostic Data registers reflect the performance of the SerDes that are selected by the registers' <i>SerDes Diagnostic Data Select</i> bits (field [25:24]). For example, if offset 23Ch[25:24] is programmed to 01b, then the information in that Diagnostic Data register is for SerDes 1 of Quad 1 of that Station (SerDes 5 or 37 in Stations 0 and 2, respectively; the Station 1 bits for that particular SerDes quad and SerDes are Factory Test Only).</p> <p>This register is used to retrieve Diagnostic Test results for SerDes[28-31].</p> <p>Note: Refer to Table 12-23 for the relationship between the Port 0, 4, or 8 parameters and SerDes modules and Lanes. SerDes modules and Lanes marked "Factory Test Only" are associated with bits that are RsvdP and not serial EEPROM nor I²C writable.</p> | | | | |
| 7:0 | <p>UTP Expected Data</p> <p>When User Test Pattern (UTP) is enabled, if an error is detected in the Received UTP data, this field returns the expected data.</p> | RO | No | 00h |
| 15:8 | <p>UTP Actual Data</p> <p>When UTP is enabled, if an error is detected in the Received UTP data, this field returns the actual data that was received.</p> | RO | No | 00h |
| 23:16 | <p>UTP/PRBS Error Counter</p> <p>Receiver Detected flags. Returns the number of errors detected by the UTP (bit 30 is Cleared) or PRBS (bit 30 is Set) Data Checkers. The Error Counter saturates at 255, and is Cleared when UTP/PRBS is disabled.</p> <p>UTP Mode</p> <p>To Clear the Counter, disable UTP mode by Clearing the Physical Layer Test register <i>SerDes Quad 3 User Test Pattern Enable</i> bit (offset 228h[31]).</p> <p>PRBS Mode</p> <p>To Clear the Counter, disable PRBS mode by Clearing the Physical Layer Test register <i>SerDes Quad 3 PRBS Enable</i> bit (offset 228h[19]).</p> | RO | No | 00h |
| 25:24 | <p>SerDes Diagnostic Data Select</p> <p>Used to select the SerDes (SerDes[28-31]) to which the diagnostic data in this SerDes quad pertains.</p> <p>Status selection code for the fields representing RO bits [23:0] of this register. The binary code represents a status selection for one of the SerDes Quad 3 Lanes. The test results for physical device Lanes [28-31] are selected with corresponding binary codes from 0-3.</p> <p>Note: To obtain diagnostic data on all SerDes in the quad, run a test, then cycle these bits.</p> | RW | Yes | 00b |
| 29:26 | Reserved | RO | No | 0h |
| 30 | <p>PRBS Counter/-UTP Counter</p> <p>0 = Indicates that field [23:16] (<i>UTP/PRBS Error Counter</i>) is the UTP Error Counter (diagnostic data is from the UTP Data Checkers)</p> <p>1 = Indicates that field [23:16] (<i>UTP/PRBS Error Counter</i>) is the PRBS Error Counter (diagnostic data is from the PRBS Data Checkers)</p> | RO | No | 0 |
| 31 | Reserved | RsvdP | No | 0 |

Table 12-23. Port/SerDes Module/Station/SerDes Quad Relationship, when All Ports Are Enabled, for Register Offsets 238h through 244h

| Port 0, 4, or 8 Register Offset | SerDes Quad | SerDes Modules and Physical Lanes by Port | | | | | |
|--|----------------|---|--|-------------------|--|-------------------|--|
| | | Station 0, Port 0 | | Station 1, Port 4 | | Station 2, Port 8 | |
| | | Port | SerDes Modules and Physical Lanes | Port | SerDes Modules and Physical Lanes | Port | SerDes Modules and Physical Lanes |
| 238h | 0 | 0 | 0-3 | – | <i>Factory Test Only</i> | 8 | 32-35 |
| 23Ch | 1 | 1 | 4-7 | – | <i>Factory Test Only</i> | 9 | 36-39 |
| 240h | 2 | – | <i>Factory Test Only</i> | 5 | 24-27 | – | <i>Factory Test Only</i> |
| 244h | 3 | – | <i>Factory Test Only</i> | 6 | 28-31 | – | <i>Factory Test Only</i> |

Register 12-81. 248h Port Receiver Error Counter (Only Ports 0, 4, and 8, and also NT Port Virtual Interface if Port 0 is the NT Port)

| Bit(s) | Description | Type | Serial EEPROM and I ² C | Default |
|---|---|-------|------------------------------------|---------|
| <i>Note: The Port bit controls individual Ports within each Station, as defined in Table 12-24. Factory Test Only bits are RsvdP and not serial EEPROM nor I²C writable.</i> | | | | |
| 7:0 | Port 0, 4, or 8 Receiver Error Counter When read, returns the number of Receiver errors detected by the corresponding Port. The Error Counter saturates at 255. The Counter is Cleared with any Write to the corresponding byte in this register; otherwise, this field is RO. The Port 4 bit is Factory Test Only . | RW1C | No | 00h |
| 15:8 | Port 1, 5, or 9 Receiver Error Counter When read, returns the number of Receiver errors detected by the corresponding Port. The Error Counter saturates at 255. The Counter is Cleared with any Write to the corresponding byte in this register; otherwise, this field is RO. | RW1C | No | 00h |
| 23:16 | Port 6 Receiver Error Counter When read, returns the number of Receiver errors detected by the corresponding Port. The Error Counter saturates at 255. The Counter is Cleared with any Write to the corresponding byte in this register; otherwise, this field is RO. | RW1C | No | 00h |
| 31:24 | Factory Test Only | RsvdP | No | 00h |

Table 12-24. Port Bit to Port Control Relationship, by Station, for Register Offset 248h

| Bit(s) | Station 0 Port 0 Bit Controls Port | Station 1 Port 4 Bit Controls Port | Station 2 Port 8 Bit Controls Port |
|--------|---------------------------------------|---------------------------------------|---------------------------------------|
| 7:0 | 0 | <i>Factory Test Only</i> | 8 |
| 15:8 | 1 | 5 | 9 |
| 23:16 | <i>Factory Test Only</i> | 6 | <i>Factory Test Only</i> |

Register 12-82. 24Ch Target Link Width (Only Ports 0, 4, and 8, and also NT Port Virtual Interface if Port 0 is the NT Port)

| Bit(s) | Description | Type | Serial EEPROM and I ² C | Default |
|---|--|-------|------------------------------------|---|
| <p>This register provides the capability to allow software to cause Link retraining to a wider or narrower width than the current width, <i>such as</i> to conserve power when maximum bandwidth is not required. Devices advertise such support, by transmitting the appropriate value for the Data Rate Identifier symbol within TS2 Ordered-Sets.</p> <p>If the <i>Port x Upconfigure Capability Received</i> bit is Set (indicating that during the previous Link training, the Port received Upconfigure Capability notification from the connected device), software can cause the Port to either upconfigure the Link to a previously negotiated Link width, or downconfigure the Link to a narrower width, by writing the needed Target Link Width value to this register, followed by Setting the Port's Link Control register <i>Retrain Link</i> bit (offset 78h[5]).</p> <p>Note: The Port bit controls individual Ports within each Station, as defined in Table 12-25. Factory Test Only bits are RsvdP and not serial EEPROM nor I²C writable.</p> | | | | |
| 4:0 | <p>Port 0, 4, or 8 Target Link Width The Port 4 bit is Factory Test Only. The initial value of this field is the Port's Negotiated Link Width (offset 78h[25:20]).</p> | RW | No | Set by STRAP_STN _x _PORTCFG _x input levels, or by serial EEPROM value for the Port Configuration register <i>Port Configuration for Station x</i> bits (Port 0, and also NT Port Virtual Interface if Port 0 is the NT Port, offset 574h[5:0]) |
| 6:5 | Reserved | RsvdP | No | 00b |
| 7 | <p>Port 0, 4, or 8 Upconfigure Capability Received The Port 4 bit is Factory Test Only. Set during Link training, if the Port received an Upconfigure Capability notification from the connected device.</p> | RO | No | 0 |
| 11:8 | <p>Port 1, 5, or 9 Target Link Width The initial value of this field is the Port's Negotiated Link Width (offset 78h[25:20]).</p> | RW | No | Set by STRAP_STN _x _PORTCFG _x input levels, or by serial EEPROM value for the Port Configuration register <i>Port Configuration for Station x</i> bits (Port 0, and also NT Port Virtual Interface if Port 0 is the NT Port, offset 574h[5:0]) |
| 14:12 | Reserved | RsvdP | No | 000b |
| 15 | <p>Port 1, 5, or 9 Upconfigure Capability Received Set during Link training, if the Port received an Upconfigure Capability notification from the connected device.</p> | RO | No | 0 |

Register 12-82. 24Ch Target Link Width (Only Ports 0, 4, and 8, and also NT Port Virtual Interface if Port 0 is the NT Port) (Cont.)

| Bit(s) | Description | Type | Serial EEPROM and I ² C | Default |
|--------|---|-------|------------------------------------|---|
| 18:16 | Port 6 Target Link Width The initial value of this field is the Port's Negotiated Link Width (offset 78h[25:20]). | RW | No | Set by STRAP_STN1_PORTCFG0 input level, or by serial EEPROM value for the Port Configuration register <i>Port Configuration for Station x</i> bits (Port 0, and also NT Port Virtual Interface if Port 0 is the NT Port, offset 574h[5:0]) |
| 22:19 | <i>Reserved</i> | RsvdP | No | 0h |
| 23 | Port 6 Upconfigure Capability Received Set during Link training, if the Port received an Upconfigure Capability notification from the connected device. | RO | No | 0 |
| 31:24 | <i>Factory Test Only</i> | RsvdP | No | 00h |

Table 12-25. Port Bit to Port Control Relationship, by Station, for Register Offset 24Ch

| Bit(s) | Station 0 Port 0 Bit Controls Port | Station 1 Port 4 Bit Controls Port | Station 2 Port 8 Bit Controls Port |
|--------|---------------------------------------|---------------------------------------|---------------------------------------|
| 7:0 | 0 | <i>Factory Test Only</i> | 8 |
| 15:8 | 1 | 5 | 9 |
| 23:16 | <i>Factory Test Only</i> | 6 | <i>Factory Test Only</i> |

Register 12-83. 254h Physical Layer Additional Status (Only Ports 0, 4, and 8, and also NT Port Virtual Interface if Port 0 is the NT Port)

| Bit(s) | Description | Type | Serial EEPROM and I ² C | Default |
|---|--|-------|------------------------------------|---------|
| <i>Note: The Port bit controls individual Ports within each Station, as defined in Table 12-26. Factory Test Only bits are RsvdP and not serial EEPROM nor I²C writable.</i> | | | | |
| 0 | <p>Port 0, 4, or 8 Loopback Master Entry Failed The Port 4 bit is <i>Factory Test Only</i>.</p> <p>1 = Indicates that the corresponding Port failed to enter the <i>Loopback</i> state as a Loopback Master, and abandoned the attempt by returning the LTSSM to the <i>Detect</i> state</p> <p><i>Note: If this bit and the Port 0, 4, or 8 Ready as Loopback Master (offset 230h[3]) are both Set, the Loopback state was entered after the initial failure from the Configuration state.</i></p> | RW1C | Yes | 0 |
| 1 | <p>Port 1, 5, or 9 Loopback Master Entry Failed 1 = Indicates that the corresponding Port failed to enter the <i>Loopback</i> state as a Loopback Master, and abandoned the attempt by returning the LTSSM to the <i>Detect</i> state</p> <p><i>Note: If this bit and the Port 1, 5, or 9 Ready as Loopback Master (offset 230h[7]) are both Set, the Loopback state was entered after the initial failure from the Configuration state.</i></p> | RW1C | Yes | 0 |
| 2 | <p>Port 6 Loopback Master Entry Failed 1 = Indicates that the corresponding Port failed to enter the <i>Loopback</i> state as a Loopback Master, and abandoned the attempt by returning the LTSSM to the <i>Detect</i> state</p> <p><i>Note: If this bit and the Port 6 Ready as Loopback Master (offset 230h[11]) are both Set, the Loopback state was entered after the initial failure from the Configuration state.</i></p> | RW1C | Yes | 0 |
| 3 | Factory Test Only | RsvdP | No | 0 |
| 15:4 | Reserved | RsvdP | No | 000h |
| 16 | <p>Port 0, 4, or 8 External Loopback Enable The Port 4 bit is <i>Factory Test Only</i>.</p> <p>1 = Allows the corresponding PEX 8624 Port to reach Link Up status, when receiving its own Training Sets during Link training. It is necessary to Set this bit when a Port's Receivers are directly connected, externally, to its Transmitters.</p> | RW | Yes | 0 |
| 17 | <p>Port 1, 5, or 9 External Loopback Enable 1 = Allows the corresponding PEX 8624 Port to reach Link Up status, when receiving its own Training Sets during Link training. It is necessary to Set this bit when a Port's Receivers are directly connected, externally, to its Transmitters.</p> | RW | Yes | 0 |
| 18 | <p>Port 6 External Loopback Enable 1 = Allows the corresponding PEX 8624 Port to reach Link Up status, when receiving its own Training Sets during Link training. It is necessary to Set this bit when a Port's Receivers are directly connected, externally, to its Transmitters.</p> | RW | Yes | 0 |
| 19 | Factory Test Only | RsvdP | No | 0 |
| 31:20 | Reserved | RsvdP | No | 000h |

Table 12-26. Port Bit to Port Control Relationship, by Station, for Register Offset 254h

| Bit(s) | Station 0 Port 0 Bit Controls Port | Station 1 Port 4 Bit Controls Port | Station 2 Port 8 Bit Controls Port |
|---------------|---|---|---|
| 0 | 0 | <i>Factory Test Only</i> | 8 |
| 1 | 1 | 5 | 9 |
| 2 | <i>Factory Test Only</i> | 6 | <i>Factory Test Only</i> |
| 16 | 0 | <i>Factory Test Only</i> | 8 |
| 17 | 1 | 5 | 9 |
| 18 | <i>Factory Test Only</i> | 6 | <i>Factory Test Only</i> |

Register 12-84. 258h PRBS Control/Status (Only Ports 0, 4, and 8, and also NT Port Virtual Interface if Port 0 is the NT Port)

| Bit(s) | Description | Type | Serial EEPROM and I ² C | Default |
|---|--|------|------------------------------------|---------|
| This register provides Control and Status of the PRBS Generator/Checker logic. | | | | |
| <i>Note:</i> Refer to Table 12-27 for the relationship between the Port 0, 4, or 8 parameters and SerDes modules and Lanes. | | | | |
| Factory Test Only bits are RsvdP and not serial EEPROM nor I²C writable. | | | | |
| 0 | <p>PRBS Pattern Sync Status Device Lane 0 or 32</p> <p>0 = Causes the PRBS pattern generator, when enabled, to output the PRBS7 sequence</p> <p>1 = Indicates that the corresponding Lane's PRBS Data Checker has synchronized to the incoming PRBS data pattern – the Receiver has acquired its first match on two sequentially received words</p> | RO | No | 0 |
| 1 | <p>PRBS Pattern Sync Status Device Lane 1 or 33</p> <p>0 = Causes the PRBS pattern generator, when enabled, to output the PRBS7 sequence</p> <p>1 = Indicates that the corresponding Lane's PRBS Data Checker has synchronized to the incoming PRBS data pattern – the Receiver has acquired its first match on two sequentially received words</p> | RO | No | 0 |
| 2 | <p>PRBS Pattern Sync Status Device Lane 2 or 34</p> <p>0 = Causes the PRBS pattern generator, when enabled, to output the PRBS7 sequence</p> <p>1 = Indicates that the corresponding Lane's PRBS Data Checker has synchronized to the incoming PRBS data pattern – the Receiver has acquired its first match on two sequentially received words</p> | RO | No | 0 |
| 3 | <p>PRBS Pattern Sync Status Device Lane 3 or 35</p> <p>0 = Causes the PRBS pattern generator, when enabled, to output the PRBS7 sequence</p> <p>1 = Indicates that the corresponding Lane's PRBS Data Checker has synchronized to the incoming PRBS data pattern – the Receiver has acquired its first match on two sequentially received words</p> | RO | No | 0 |

Register 12-84. 258h PRBS Control/Status (Only Ports 0, 4, and 8, and also NT Port Virtual Interface if Port 0 is the NT Port) (Cont.)

| Bit(s) | Description | Type | Serial EEPROM and I ² C | Default |
|--------|---|------|------------------------------------|---------|
| 4 | PRBS Pattern Sync Status Device Lane 4 or 36 0 = Causes the PRBS pattern generator, when enabled, to output the PRBS7 sequence 1 = Indicates that the corresponding Lane's PRBS Data Checker has synchronized to the incoming PRBS data pattern – the Receiver has acquired its first match on two sequentially received words | RO | No | 0 |
| 5 | PRBS Pattern Sync Status Device Lane 5 or 37 0 = Causes the PRBS pattern generator, when enabled, to output the PRBS7 sequence 1 = Indicates that the corresponding Lane's PRBS Data Checker has synchronized to the incoming PRBS data pattern – the Receiver has acquired its first match on two sequentially received words | RO | No | 0 |
| 6 | PRBS Pattern Sync Status Device Lane 6 or 38 0 = Causes the PRBS pattern generator, when enabled, to output the PRBS7 sequence 1 = Indicates that the corresponding Lane's PRBS Data Checker has synchronized to the incoming PRBS data pattern – the Receiver has acquired its first match on two sequentially received words | RO | No | 0 |
| 7 | PRBS Pattern Sync Status Device Lane 7 or 39 0 = Causes the PRBS pattern generator, when enabled, to output the PRBS7 sequence 1 = Indicates that the corresponding Lane's PRBS Data Checker has synchronized to the incoming PRBS data pattern – the Receiver has acquired its first match on two sequentially received words | RO | No | 0 |
| 8 | PRBS Pattern Sync Status Device Lane 24 0 = Causes the PRBS pattern generator, when enabled, to output the PRBS7 sequence 1 = Indicates that the corresponding Lane's PRBS Data Checker has synchronized to the incoming PRBS data pattern – the Receiver has acquired its first match on two sequentially received words | RO | No | 0 |
| 9 | PRBS Pattern Sync Status Device Lane 25 0 = Causes the PRBS pattern generator, when enabled, to output the PRBS7 sequence 1 = Indicates that the corresponding Lane's PRBS Data Checker has synchronized to the incoming PRBS data pattern – the Receiver has acquired its first match on two sequentially received words | RO | No | 0 |
| 10 | PRBS Pattern Sync Status Device Lane 26 0 = Causes the PRBS pattern generator, when enabled, to output the PRBS7 sequence 1 = Indicates that the corresponding Lane's PRBS Data Checker has synchronized to the incoming PRBS data pattern – the Receiver has acquired its first match on two sequentially received words | RO | No | 0 |
| 11 | PRBS Pattern Sync Status Device Lane 27 0 = Causes the PRBS pattern generator, when enabled, to output the PRBS7 sequence 1 = Indicates that the corresponding Lane's PRBS Data Checker has synchronized to the incoming PRBS data pattern – the Receiver has acquired its first match on two sequentially received words | RO | No | 0 |

Register 12-84. 258h PRBS Control/Status (Only Ports 0, 4, and 8, and also NT Port Virtual Interface if Port 0 is the NT Port) (Cont.)

| Bit(s) | Description | Type | Serial EEPROM and I ² C | Default |
|--------|--|-------|------------------------------------|---------|
| 12 | PRBS Pattern Sync Status Device Lane 28 0 = Causes the PRBS pattern generator, when enabled, to output the PRBS7 sequence 1 = Indicates that the corresponding Lane's PRBS Data Checker has synchronized to the incoming PRBS data pattern – the Receiver has acquired its first match on two sequentially received words | RO | No | 0 |
| 13 | PRBS Pattern Sync Status Device Lane 29 0 = Causes the PRBS pattern generator, when enabled, to output the PRBS7 sequence 1 = Indicates that the corresponding Lane's PRBS Data Checker has synchronized to the incoming PRBS data pattern – the Receiver has acquired its first match on two sequentially received words | RO | No | 0 |
| 14 | PRBS Pattern Sync Status Device Lane 30 0 = Causes the PRBS pattern generator, when enabled, to output the PRBS7 sequence 1 = Indicates that the corresponding Lane's PRBS Data Checker has synchronized to the incoming PRBS data pattern – the Receiver has acquired its first match on two sequentially received words | RO | No | 0 |
| 15 | PRBS Pattern Sync Status Device Lane 31 0 = Causes the PRBS pattern generator, when enabled, to output the PRBS7 sequence 1 = Indicates that the corresponding Lane's PRBS Data Checker has synchronized to the incoming PRBS data pattern – the Receiver has acquired its first match on two sequentially received words | RO | No | 0 |
| 16 | PRBS Pattern Invert Enable 0 = Causes the PRBS pattern generator, when enabled, to output the PRBS7 sequence 1 = Causes the PRBS pattern generator, when enabled, to output the one's complement of the PRBS7 sequence | RW | Yes | 0 |
| 31:17 | <i>Reserved</i> | RsvdP | No | 0-0h |

Table 12-27. SerDes Module and Lane Control Relationship, by Station and Port, for Register Offset 258h

| Bit(s) | Station 0, Port 0 SerDes Module and Physical Lane | Station 1, Port 4 SerDes Module and Physical Lane | Station 2, Port 8 SerDes Module and Physical Lane |
|--------|---|---|---|
| 0 | 0 | <i>Factory Test Only</i> | 32 |
| 1 | 1 | <i>Factory Test Only</i> | 33 |
| 2 | 2 | <i>Factory Test Only</i> | 34 |
| 3 | 3 | <i>Factory Test Only</i> | 35 |
| 4 | 4 | <i>Factory Test Only</i> | 36 |
| 5 | 5 | <i>Factory Test Only</i> | 37 |
| 6 | 6 | <i>Factory Test Only</i> | 38 |
| 7 | 7 | <i>Factory Test Only</i> | 39 |
| 8 | <i>Factory Test Only</i> | 24 | <i>Factory Test Only</i> |
| 9 | <i>Factory Test Only</i> | 25 | <i>Factory Test Only</i> |
| 10 | <i>Factory Test Only</i> | 26 | <i>Factory Test Only</i> |
| 11 | <i>Factory Test Only</i> | 27 | <i>Factory Test Only</i> |
| 12 | <i>Factory Test Only</i> | 28 | <i>Factory Test Only</i> |
| 13 | <i>Factory Test Only</i> | 29 | <i>Factory Test Only</i> |
| 14 | <i>Factory Test Only</i> | 30 | <i>Factory Test Only</i> |
| 15 | <i>Factory Test Only</i> | 31 | <i>Factory Test Only</i> |

12.14.3 Device-Specific Registers – Serial EEPROM (Offsets 260h – 26Ch)

This section details the Device-Specific Serial EEPROM registers. [Table 12-28](#) defines the register map.

**Table 12-28. Device-Specific Serial EEPROM Register Map
(Only Port 0, and also NT Port Virtual Interface if Port 0 is the NT Port)**

| | | | |
|---|---------------------------------------|--------------------------------|------|
| 31 30 29 28 27 26 25 24 23 22 21 20 19 18 17 16 | 15 14 13 12 11 10 9 8 7 6 5 4 3 2 1 0 | | |
| Status Data from Serial EEPROM | Serial EEPROM Status | Serial EEPROM Control | 260h |
| Serial EEPROM Buffer | | | 264h |
| Serial EEPROM Clock Frequency | | | 268h |
| Expansion ROM Base Address | <i>Reserved</i> | Serial EEPROM 3rd Address Byte | 26Ch |

Register 12-85. 260h Serial EEPROM Status and Control
(Only Port 0, and also NT Port Virtual Interface if Port 0 is the NT Port)

| Bit(s) | Description | Type | Serial EEPROM and I ² C | Default |
|------------------------------|---|------|------------------------------------|---------|
| Serial EEPROM Control | | | | |
| 12:0 | EepBlkAddr Serial EEPROM Block Address for 32 KB. | RW | Yes | 000h |
| 15:13 | EepCmd[2:0] Commands to the Serial EEPROM Controller. 000b = <i>Reserved</i> 001b = Data from bits [31:24] (Status Data from Serial EEPROM register) is written to the serial EEPROM's internal Status register 010b = Write four bytes of data from the EepBuf into the memory location pointed to by field [12:0] (<i>EepBlkAddr</i>) 011b = Read four bytes of data from the memory location pointed to by field [12:0] (<i>EepBlkAddr</i>) into the EepBuf 100b = Reset Write Enable latch 101b = Data from the serial EEPROM's internal Status register is written to bits [31:24] (Status Data from Serial EEPROM register) 110b = Set Write Enable latch 111b = <i>Reserved</i> <i>Note: For value of 001b, only bits [31, 27:26] can be written into the serial EEPROM's internal Status register.</i> | RW | Yes | 000b |

Register 12-85. 260h Serial EEPROM Status and Control
(Only Port 0, and also NT Port Virtual Interface if Port 0 is the NT Port) (Cont.)

| Bit(s) | Description | Type | Serial EEPROM and I ² C | Default |
|-----------------------------|--|-------|------------------------------------|---------|
| Serial EEPROM Status | | | | |
| 17:16 | EepPrsnt[1:0] Serial EEPROM Present status. 00b = Not present 01b = Serial EEPROM is present – validation signature verified 10b = <i>Reserved</i> 11b = Serial EEPROM is present – validation signature not verified | RO | No | 00b |
| 18 | EepCmdStatus Serial EEPROM Command status. 0 = Serial EEPROM Command is complete 1 = Serial EEPROM Command is not complete | RO | No | 0 |
| 19 | <i>Reserved</i> | RsvdP | No | 0 |
| 20 | EepBlkAddr Upper Bit Serial EEPROM Block Address upper bit 13. Extends the serial EEPROM to 64 KB. | RW | Yes | 0 |
| 21 | EepAddrWidth Override 0 = Field [23:22] (<i>EepAddrWidth</i>) is RO 1 = Field [23:22] (<i>EepAddrWidth</i>) is software-writable | RW | Yes | 0 |
| 23:22 | EepAddrWidth Serial EEPROM Address width. If the addressing width cannot be determined, 00b is returned. A non-zero value is reported only if the validation signature (5Ah) is successfully read from the first serial EEPROM location. This field is usually RO; however, it is RW if bit 21 (<i>EepAddrWidth Override</i>) is Set. 00b = Undetermined 01b = 1 byte 10b = 2 bytes 11b = 3 bytes | RO/RW | No | 00b |

Register 12-85. 260h Serial EEPROM Status and Control
(Only Port 0, and also NT Port Virtual Interface if Port 0 is the NT Port) (Cont.)

| Bit(s) | Description | Type | Serial EEPROM and I ² C | Default | | | | | | | | | | | | | | | | | | | | | | | | | | | | | | | | | | |
|---|---|---------------|------------------------------------|---------------|-------------|--------------|---------------------------|---------------------------|--------------|--|-------------|--------------|--------------|--------------|-----|---|------|------|------|------|-----|--------------|---------------|---------------|---------------|---|-----|--------------|---------------|---------------|---------------|---|-----|------------|---------------|---------------|---------------|---|
| Status Data from Serial EEPROM^a | | | | | | | | | | | | | | | | | | | | | | | | | | | | | | | | | | | | | | |
| 24 | EepRdy Serial EEPROM RDY#. 0 = Serial EEPROM is ready to transmit data 1 = Write cycle is in-progress | RW | Yes | 0 | | | | | | | | | | | | | | | | | | | | | | | | | | | | | | | | | | |
| 25 | EepWen Serial EEPROM Write enable. 0 = Serial EEPROM Write is disabled 1 = Serial EEPROM Write is enabled | RW | Yes | 0 | | | | | | | | | | | | | | | | | | | | | | | | | | | | | | | | | | |
| 27:26 | EepBp[1:0] Serial EEPROM Block-Write Protect bits. Block Protection options protect the top ¼, top ½, or the entire serial EEPROM. PEX 8624 Configuration data is stored in the lower addresses; therefore, when using Block Protection, the entire serial EEPROM should be protected with BP[1:0] programmed to 11b. | RW | Yes | 00b | | | | | | | | | | | | | | | | | | | | | | | | | | | | | | | | | | |
| | <table border="1" style="width: 100%; border-collapse: collapse;"> <thead> <tr> <th rowspan="2">BP[1:0]</th> <th rowspan="2">Level</th> <th colspan="4">Array Addresses Protected</th> </tr> <tr> <th>8-KB Device</th> <th>16-KB Device</th> <th>32-KB Device</th> <th>64-KB Device</th> </tr> </thead> <tbody> <tr> <td>00b</td> <td>0</td> <td>None</td> <td>None</td> <td>None</td> <td>None</td> </tr> <tr> <td>01b</td> <td>1 (top ¼)</td> <td>1800h – 1FFFh</td> <td>3000h – 3FFFh</td> <td>6000h – 7FFFh</td> <td>–</td> </tr> <tr> <td>10b</td> <td>2 (top ½)</td> <td>1000h – 1FFFh</td> <td>2000h – 3FFFh</td> <td>4000h – 7FFFh</td> <td>–</td> </tr> <tr> <td>11b</td> <td>3 (All)</td> <td>0000h – 1FFFh</td> <td>0000h – 3FFFh</td> <td>0000h – 7FFFh</td> <td>–</td> </tr> </tbody> </table> | | | | BP[1:0] | Level | Array Addresses Protected | | | | 8-KB Device | 16-KB Device | 32-KB Device | 64-KB Device | 00b | 0 | None | None | None | None | 01b | 1 (top ¼) | 1800h – 1FFFh | 3000h – 3FFFh | 6000h – 7FFFh | – | 10b | 2 (top ½) | 1000h – 1FFFh | 2000h – 3FFFh | 4000h – 7FFFh | – | 11b | 3 (All) | 0000h – 1FFFh | 0000h – 3FFFh | 0000h – 7FFFh | – |
| | BP[1:0] | | | | | | Level | Array Addresses Protected | | | | | | | | | | | | | | | | | | | | | | | | | | | | | | |
| | | | | | 8-KB Device | 16-KB Device | | 32-KB Device | 64-KB Device | | | | | | | | | | | | | | | | | | | | | | | | | | | | | |
| | 00b | | | | 0 | None | None | None | None | | | | | | | | | | | | | | | | | | | | | | | | | | | | | |
| 01b | 1 (top ¼) | 1800h – 1FFFh | 3000h – 3FFFh | 6000h – 7FFFh | – | | | | | | | | | | | | | | | | | | | | | | | | | | | | | | | | | |
| 10b | 2 (top ½) | 1000h – 1FFFh | 2000h – 3FFFh | 4000h – 7FFFh | – | | | | | | | | | | | | | | | | | | | | | | | | | | | | | | | | | |
| 11b | 3 (All) | 0000h – 1FFFh | 0000h – 3FFFh | 0000h – 7FFFh | – | | | | | | | | | | | | | | | | | | | | | | | | | | | | | | | | | |
| | | | | | | | | | | | | | | | | | | | | | | | | | | | | | | | | | | | | | | |
| | | | | | | | | | | | | | | | | | | | | | | | | | | | | | | | | | | | | | | |
| | | | | | | | | | | | | | | | | | | | | | | | | | | | | | | | | | | | | | | |

**Register 12-85. 260h Serial EEPROM Status and Control
(Only Port 0, and also NT Port Virtual Interface if Port 0 is the NT Port) (Cont.)**

| Bit(s) | Description | Type | Serial EEPROM and I ² C | Default |
|--------|--|------|------------------------------------|---------|
| 30:28 | <p>EepWrStatus Serial EEPROM Write status. Value is 000b when the serial EEPROM is not in an internal Write cycle.</p> <p><i>Note: The definition of this field varies among serial EEPROM manufacturers. Reads of the serial EEPROM's internal Status register can return 000b or 111b, depending upon the serial EEPROM that is used.</i></p> | RO | No | 000b |
| 31 | <p>EepWpen Serial EEPROM Write Protect enable. Overrides the internal serial EEPROM Write Protect WP# input and enables/disables Writes to the Serial EEPROM Status register (bits [23:16] of this register):</p> <ul style="list-style-type: none"> When WP#=H or this bit is Cleared, and bit 25 (<i>EepWen</i>) is Set, the Serial EEPROM Status register is writable When WP#=L and this bit is Set, or bit 25 (<i>EepWen</i>) is Cleared, the Serial EEPROM Status register is write-protected <p><i>Notes: If the internal serial EEPROM Write Protect WP# input is Low, after software Sets the EepWen bit to write-protect the Serial EEPROM Status register, the EepWen value cannot be Cleared, nor can the EepBp[1:0] field be Cleared to disable Block Protection, until the WP# input is High.</i></p> <p><i>This bit is not implemented in certain serial EEPROMs. Refer to the serial EEPROM manufacturer's data sheet.</i></p> | RW | Yes | 0 |

a. Within the serial EEPROM's internal **Status** register, only bits [31, 27:26] can be written.

**Register 12-86. 264h Serial EEPROM Buffer (Only Port 0,
and also NT Port Virtual Interface if Port 0 is the NT Port)**

| Bit(s) | Description | Type | Serial EEPROM and I ² C | Default |
|--------|---|------|------------------------------------|------------|
| 31:0 | <p>EepBuf Serial EEPROM RW buffer. Read/Write command to the Serial EEPROM Control register (Port 0, and also NT Port Virtual Interface if Port 0 is the NT Port, offset 260h) results in a 4-byte Read/Write from/to the serial EEPROM device.</p> | RW | Yes | 0000_0000h |

Register 12-87. 268h Serial EEPROM Clock Frequency
(Only Port 0, and also NT Port Virtual Interface if Port 0 is the NT Port)

| Bit(s) | Description | Type | Serial EEPROM and I ² C | Default |
|--------|---|-------|------------------------------------|---------|
| 2:0 | <p>EepFreq[2:0] Serial EEPROM clock (EE_SK) frequency control.</p> <p>000b = 1 MHz (default) 001b = 1.98 MHz 010b = 5 MHz 011b = 9.62 MHz 100b = 12.5 MHz 101b = 15.6 MHz 110b = 17.86 MHz 111b = <i>Reserved</i></p> | RW | Yes | 000b |
| 7:3 | <i>Reserved</i> | RsvdP | No | 0-0h |
| 10:8 | <p>EepCsStHld[2:0] CS to SCLK setup and hold timing, provided as a number of ½ EE_SK Clock cycles.</p> <p>000b = Use default timing for EE_CS# setup and EE_CS# hold timing to the serial EEPROM, for EE_CS# active to EE_SK active delay, and EE_SK inactive to EE_CS# inactive delay, respectively 001b = Non-zero value adds that number of ½ EE_SK clocks delay to the default setup and hold timing, between EE_CS# active and EE_SK active, and between EE_SK inactive and EE_CS# inactive</p> | RW | Yes | 000b |
| 15:11 | <i>Reserved</i> | RsvdP | No | 0-0h |
| 16 | <p>Expansion ROM Size</p> <p>0 = 16 KB 1 = 32 KB</p> | RW | Yes | 0 |
| 31:17 | <i>Reserved</i> | RsvdP | No | 0-0h |

Register 12-88. 26Ch Serial EEPROM 3rd Address Byte
(Only Port 0, and also NT Port Virtual Interface if Port 0 is the NT Port)

| Bit(s) | Description | Type | Serial EEPROM and I ² C | Default |
|--------|---|-------|------------------------------------|---------|
| 7:0 | Serial EEPROM 3 rd Address Byte | RW | Yes | 00h |
| 15:8 | <i>Reserved</i> | RsvdP | No | 00h |
| 31:16 | <p>Expansion ROM Base Address</p> <p>Indicates the NT Port Expansion ROM Base address within the serial EEPROM. The value is dependent upon the Serial EEPROM Clock Frequency register <i>Expansion ROM Size</i> bit (Port 0, and also NT Port Virtual Interface if Port 0 is the NT Port, offset 268h[16]) value.</p> <p>The lower six bits, [21:16], map to serial EEPROM byte Address bits [15:10] (aligned to a 256-DWord (1-KB) boundary). The NT Port Expansion ROM must not straddle a 64-KB boundary within the serial EEPROM.</p> <p>0020h = Default Base address in serial EEPROM for a 16-KB NT Port Expansion ROM (<i>Expansion ROM Size</i> bit is Cleared) is 2000h (8 KB). The serial EEPROM size must be at least 32 KB.</p> <p>0040h = Default Base address in serial EEPROM for a 32-KB NT Port Expansion ROM (<i>Expansion ROM Size</i> bit is Set) is 4000h (16 KB). The serial EEPROM size must be at least 64 KB.</p> | RW | Yes | 0020h |

12.14.4 Device-Specific Registers – Physical Layer (Offsets 270h – 28Ch)

This section details the Device-Specific PHY registers located at offsets 270h through 28Ch. [Table 12-29](#) defines the register map.

Other Device-Specific PHY registers are detailed in [Section 12.14.2](#), “Device-Specific Registers – Physical Layer (Offsets 200h – 25Ch).”

Table 12-29. Device-Specific Physical Layer Register Map (Offsets 270h – 28Ch)

| | | | |
|---|---------------------------------------|--------------------------------|-------------|
| 31 30 29 28 27 26 25 24 23 22 21 20 19 18 17 16 | 15 14 13 12 11 10 9 8 7 6 5 4 3 2 1 0 | | |
| <i>Reserved</i> | <i>Factory Test Only</i> | Station 2 Software Lane Status | 270h |
| Station 0/1 Lane Enable | | | 274h |
| <i>Reserved</i> | <i>Factory Test Only</i> | Station 2 Lane Enable | 278h |
| <i>Factory Test Only</i> | | | 27Ch – 28Ch |

Register 12-89. 270h Station 2 Software Lane Status (Only Port 0, and also NT Port Virtual Interface if Port 0 is the NT Port)

| Bit(s) | Description | Type | Serial EEPROM and I ² C | Default |
|--------|--|-------|------------------------------------|---------|
| 0 | Lane 32 Up Status 0 = Lane is down 1 = Lane is up | RO | No | 1 |
| 1 | Lane 33 Up Status 0 = Lane is down 1 = Lane is up | RO | No | 1 |
| 2 | Lane 34 Up Status 0 = Lane is down 1 = Lane is up | RO | No | 1 |
| 3 | Lane 35 Up Status 0 = Lane is down 1 = Lane is up | RO | No | 1 |
| 4 | Lane 36 Up Status 0 = Lane is down 1 = Lane is up | RO | No | 1 |
| 5 | Lane 37 Up Status 0 = Lane is down 1 = Lane is up | RO | No | 1 |
| 6 | Lane 38 Up Status 0 = Lane is down 1 = Lane is up | RO | No | 1 |
| 7 | Lane 39 Up Status 0 = Lane is down 1 = Lane is up | RO | No | 1 |
| 15:8 | Factory Test Only | RsvdP | No | 00h |
| 31:16 | Reserved | RsvdP | No | 0000h |

Register 12-90. 274h Station 0/1 Lane Enable (Only Port 0, and also NT Port Virtual Interface if Port 0 is the NT Port)

| Bit(s) | Description | Type | Serial EEPROM and I ² C | Default |
|--------|--|-------|------------------------------------|---------|
| 0 | Lane 0 Lane Enable 0 = Disables Lane 1 = Enables Lane | RWS | Yes | 1 |
| 1 | Lane 1 Lane Enable 0 = Disables Lane 1 = Enables Lane | RWS | Yes | 1 |
| 2 | Lane 2 Lane Enable 0 = Disables Lane 1 = Enables Lane | RWS | Yes | 1 |
| 3 | Lane 3 Lane Enable 0 = Disables Lane 1 = Enables Lane | RWS | Yes | 1 |
| 4 | Lane 4 Lane Enable 0 = Disables Lane 1 = Enables Lane | RWS | Yes | 1 |
| 5 | Lane 5 Lane Enable 0 = Disables Lane 1 = Enables Lane | RWS | Yes | 1 |
| 6 | Lane 6 Lane Enable 0 = Disables Lane 1 = Enables Lane | RWS | Yes | 1 |
| 7 | Lane 7 Lane Enable 0 = Disables Lane 1 = Enables Lane | RWS | Yes | 1 |
| 23:8 | Factory Test Only | RsvdP | No | 0000h |

Register 12-90. 274h Station 0/1 Lane Enable (Only Port 0, and also NT Port Virtual Interface if Port 0 is the NT Port) (Cont.)

| Bit(s) | Description | Type | Serial EEPROM and I ² C | Default |
|--------|---|------|------------------------------------|---------|
| 24 | Lane 24 Lane Enable 0 = Disables Lane 1 = Enables Lane | RWS | Yes | 1 |
| 25 | Lane 25 Lane Enable 0 = Disables Lane 1 = Enables Lane | RWS | Yes | 1 |
| 26 | Lane 26 Lane Enable 0 = Disables Lane 1 = Enables Lane | RWS | Yes | 1 |
| 27 | Lane 27 Lane Enable 0 = Disables Lane 1 = Enables Lane | RWS | Yes | 1 |
| 28 | Lane 28 Lane Enable 0 = Disables Lane 1 = Enables Lane | RWS | Yes | 1 |
| 29 | Lane 29 Lane Enable 0 = Disables Lane 1 = Enables Lane | RWS | Yes | 1 |
| 30 | Lane 30 Lane Enable 0 = Disables Lane 1 = Enables Lane | RWS | Yes | 1 |
| 31 | Lane 31 Lane Enable 0 = Disables Lane 1 = Enables Lane | RWS | Yes | 1 |

Register 12-91. 278h Station 2 Lane Enable (Only Port 0, and also NT Port Virtual Interface if Port 0 is the NT Port)

| Bit(s) | Description | Type | Serial EEPROM and I ² C | Default |
|--------|---|-------|------------------------------------|---------|
| 0 | Lane 32 Lane Enable 0 = Disables Lane 1 = Enables Lane | RWS | Yes | 1 |
| 1 | Lane 33 Lane Enable 0 = Disables Lane 1 = Enables Lane | RWS | Yes | 1 |
| 2 | Lane 34 Lane Enable 0 = Disables Lane 1 = Enables Lane | RWS | Yes | 1 |
| 3 | Lane 35 Lane Enable 0 = Disables Lane 1 = Enables Lane | RWS | Yes | 1 |
| 4 | Lane 36 Lane Enable 0 = Disables Lane 1 = Enables Lane | RWS | Yes | 1 |
| 5 | Lane 37 Lane Enable 0 = Disables Lane 1 = Enables Lane | RWS | Yes | 1 |
| 6 | Lane 38 Lane Enable 0 = Disables Lane 1 = Enables Lane | RWS | Yes | 1 |
| 7 | Lane 39 Lane Enable 0 = Disables Lane 1 = Enables Lane | RWS | Yes | 1 |
| 15:8 | Factory Test Only | RsvdP | No | 00h |
| 31:16 | Reserved | RsvdP | No | 0000h |

12.14.5 Device-Specific Registers – I²C Slave Interface (Offsets 290h – 2C4h)

This section details the Device-Specific I²C Slave Interface register. Table 12-30 defines the register map.

The I²C Slave Interface is described, in detail, in Section 7, “I²C Slave Interface Operation.”

Table 12-30. Device-Specific I²C Slave Interface Register Map (Only Port 0, and also NT Port Virtual Interface if Port 0 is the NT Port)

| | | | |
|---|---------------------------------------|--------------------------|-------------|
| 31 30 29 28 27 26 25 24 23 22 21 20 19 18 17 16 | 15 14 13 12 11 10 9 8 7 6 5 4 3 2 1 0 | <i>Factory Test Only</i> | 290h |
| <i>I2C Configuration</i> | | | 294h |
| <i>Factory Test Only/Reserved</i> | | | 298h – 2C4h |

Register 12-92. 294h I²C Configuration (Only Port 0, and also NT Port Virtual Interface if Port 0 is the NT Port)

| Bit(s) | Description | Type | Serial EEPROM and I ² C | Default |
|--------|---|--------|------------------------------------|--------------|
| 2:0 | <p>Slave Address Bits [6:0] comprise the I²C Slave address, 6Fh or 68h – value of bits [2:0] defaults to 111b or 000b, depending upon whether I2C_ADDR[2:0] are externally pulled High or Low, respectively.</p> <p><i>Note: The I²C Slave address must not be changed by an I²C Write command.</i></p> | HwInit | Yes | 111b or 000b |
| 6:3 | <p>Slave Address Bits [6:0] comprise the I²C Slave address, 6Fh or 68h – bits [6:3] default to 1101b.</p> <p><i>Note: The I²C Slave address must not be changed by an I²C Write command.</i></p> | RW | Yes | 1101b |
| 9:7 | <i>Reserved</i> | RsvdP | No | 000b |
| 10 | <i>Factory Test Only</i> | RW | Yes | 0 |
| 31:11 | <i>Reserved</i> | RW | Yes | 0000_00h |

12.14.6 Device-Specific Registers – Bus Number CAM (Offsets 2C8h – 304h)

This section details the Device-Specific Bus Number Content-Addressable Memory (BusNoCAM) registers, which are used to determine the Configuration TLP Completion routing. These registers contain mirror copies of the **Primary Bus Number**, **Secondary Bus Number**, and **Subordinate Bus Number** registers (offset 18h[23:16, 15:8, and 7:0], respectively), for each PEX 8624 Port. Table 12-31 defines the register map.

The BusNoCAM registers are automatically updated by hardware. *Modifying these registers by writing to the addresses listed here is not recommended.*

Table 12-31. Device-Specific BusNoCAM Register Map (Only Ports 0, 4, and 8, and also NT Port Virtual Interface if Port 0 is the NT Port)

| 31 30 29 28 27 26 25 24 23 22 21 20 19 18 17 16 | | | | | | | | | | | | | | | | 15 14 13 12 11 10 9 8 7 6 5 4 3 2 1 0 | | | | | | | | | | | | | | | | |
|---|--|--|--|--|--|--|--|--|--|--|--|--|--|--|--|---------------------------------------|--|--|--|--|--|--|--|--|--|--|--|--|--|--|--|-------------|
| <i>Reserved</i> | | | | | | | | | | | | | | | | BusNoCAM0 | | | | | | | | | | | | | | | | 2C8h |
| <i>Reserved</i> | | | | | | | | | | | | | | | | BusNoCAM1 | | | | | | | | | | | | | | | | 2CCh |
| <i>Factory Test Only</i> | | | | | | | | | | | | | | | | | | | | | | | | | | | | | | | | 2D0h – 2D4h |
| <i>Reserved</i> | | | | | | | | | | | | | | | | BusNoCAM4 | | | | | | | | | | | | | | | | 2D8h |
| <i>Reserved</i> | | | | | | | | | | | | | | | | BusNoCAM5 | | | | | | | | | | | | | | | | 2DCh |
| <i>Reserved</i> | | | | | | | | | | | | | | | | BusNoCAM6 | | | | | | | | | | | | | | | | 2E0h |
| <i>Factory Test Only</i> | | | | | | | | | | | | | | | | | | | | | | | | | | | | | | | | 2E4h |
| <i>Reserved</i> | | | | | | | | | | | | | | | | BusNoCAM8 | | | | | | | | | | | | | | | | 2E8h |
| <i>Reserved</i> | | | | | | | | | | | | | | | | BusNoCAM9 | | | | | | | | | | | | | | | | 2ECh |
| <i>Factory Test Only</i> | | | | | | | | | | | | | | | | | | | | | | | | | | | | | | | | 2F0h – 2F4h |
| <i>Reserved</i> | | | | | | | | | | | | | | | | | | | | | | | | | | | | | | | | 2F8h – 304h |

Register 12-93. 2C8h BusNoCAM0 (Only Ports 0, 4, and 8, and also NT Port Virtual Interface if Port 0 is the NT Port)

| Bit(s) | Description | Type | Serial EEPROM and I ² C | Default |
|--------|--|-------|------------------------------------|---------|
| 7:0 | Primary Bus Number Mirror copy of Port 0 Primary Bus Number. | RW | Yes | 00h |
| 15:8 | Secondary Bus Number Mirror copy of Port 0 Secondary Bus Number. | RW | Yes | 00h |
| 23:16 | Subordinate Bus Number Mirror copy of Port 0 Subordinate Bus Number. | RW | Yes | 00h |
| 31:24 | <i>Reserved</i> | RsvdP | No | 00h |

Register 12-94. 2CCh BusNoCAM1 (Only Ports 0, 4, and 8, and also NT Port Virtual Interface if Port 0 is the NT Port)

| Bit(s) | Description | Type | Serial EEPROM and I ² C | Default |
|--------|--|-------|------------------------------------|---------|
| 7:0 | Primary Bus Number Mirror copy of Port 1 Primary Bus Number. | RW | Yes | 00h |
| 15:8 | Secondary Bus Number Mirror copy of Port 1 Secondary Bus Number. | RW | Yes | 00h |
| 23:16 | Subordinate Bus Number Mirror copy of Port 1 Subordinate Bus Number. | RW | Yes | 00h |
| 31:24 | <i>Reserved</i> | RsvdP | No | 00h |

Register 12-95. 2D8h BusNoCAM4 (Only Ports 0, 4, and 8, and also NT Port Virtual Interface if Port 0 is the NT Port)

| Bit(s) | Description | Type | Serial EEPROM and I ² C | Default |
|--------|--|-------|------------------------------------|---------|
| 7:0 | Primary Bus Number Mirror copy of Port 4 Primary Bus Number. | RW | Yes | 00h |
| 15:8 | Secondary Bus Number Mirror copy of Port 4 Secondary Bus Number. | RW | Yes | 00h |
| 23:16 | Subordinate Bus Number Mirror copy of Port 4 Subordinate Bus Number. | RW | Yes | 00h |
| 31:24 | <i>Reserved</i> | RsvdP | No | 00h |

Register 12-96. 2DCh BusNoCAM5 (Only Ports 0, 4, and 8, and also NT Port Virtual Interface if Port 0 is the NT Port)

| Bit(s) | Description | Type | Serial EEPROM and I ² C | Default |
|--------|--|-------|------------------------------------|---------|
| 7:0 | Primary Bus Number Mirror copy of Port 5 Primary Bus Number. | RW | Yes | 00h |
| 15:8 | Secondary Bus Number Mirror copy of Port 5 Secondary Bus Number. | RW | Yes | 00h |
| 23:16 | Subordinate Bus Number Mirror copy of Port 5 Subordinate Bus Number. | RW | Yes | 00h |
| 31:24 | <i>Reserved</i> | RsvdP | No | 00h |

Register 12-97. 2E0h BusNoCAM6 (Only Ports 0, 4, and 8, and also NT Port Virtual Interface if Port 0 is the NT Port)

| Bit(s) | Description | Type | Serial EEPROM and I ² C | Default |
|--------|--|-------|------------------------------------|---------|
| 7:0 | Primary Bus Number Mirror copy of Port 6 Primary Bus Number. | RW | Yes | 00h |
| 15:8 | Secondary Bus Number Mirror copy of Port 6 Secondary Bus Number. | RW | Yes | 00h |
| 23:16 | Subordinate Bus Number Mirror copy of Port 6 Subordinate Bus Number. | RW | Yes | 00h |
| 31:24 | <i>Reserved</i> | RsvdP | No | 00h |

Register 12-98. 2E8h BusNoCAM8 (Only Ports 0, 4, and 8, and also NT Port Virtual Interface if Port 0 is the NT Port)

| Bit(s) | Description | Type | Serial EEPROM and I ² C | Default |
|--------|--|-------|------------------------------------|---------|
| 7:0 | Primary Bus Number Mirror copy of Port 8 Primary Bus Number. | RW | Yes | 00h |
| 15:8 | Secondary Bus Number Mirror copy of Port 8 Secondary Bus Number. | RW | Yes | 00h |
| 23:16 | Subordinate Bus Number Mirror copy of Port 8 Subordinate Bus Number. | RW | Yes | 00h |
| 31:24 | <i>Reserved</i> | RsvdP | No | 00h |

Register 12-99. 2ECh BusNoCAM9 (Only Ports 0, 4, and 8, and also NT Port Virtual Interface if Port 0 is the NT Port)

| Bit(s) | Description | Type | Serial EEPROM and I ² C | Default |
|--------|--|-------|------------------------------------|---------|
| 7:0 | Primary Bus Number Mirror copy of Port 9 Primary Bus Number. | RW | Yes | 00h |
| 15:8 | Secondary Bus Number Mirror copy of Port 9 Secondary Bus Number. | RW | Yes | 00h |
| 23:16 | Subordinate Bus Number Mirror copy of Port 9 Subordinate Bus Number. | RW | Yes | 00h |
| 31:24 | <i>Reserved</i> | RsvdP | No | 00h |

12.14.7 Device-Specific Registers – I/O CAM (Offsets 308h – 344h)

This section details the Device-Specific I/O Content-Addressable Memory (IOCAM) registers, which are used to determine I/O Request routing. These registers contain mirror copies of the **I/O Base** and **I/O Limit** registers (offset 1Ch[7:0 and 15:8], respectively), for each PEX 8624 Port. Table 12-32 defines the register map.

The IOCAM registers are automatically updated by hardware. *Modifying these registers by writing to the addresses listed here is not recommended.*

Table 12-32. Device-Specific IOCAM Register Map (Only Ports 0, 4, and 8, and also NT Port Virtual Interface if Port 0 is the NT Port)

| 31 30 29 28 27 26 25 24 23 22 21 20 19 18 17 16 | 15 14 13 12 11 10 9 8 7 6 5 4 3 2 1 0 | |
|---|---------------------------------------|-------------|
| IOCAM1 | IOCAM0 | 308h |
| <i>Factory Test Only</i> | | 30Ch |
| IOCAM5 | IOCAM4 | 310h |
| <i>Factory Test Only</i> | IOCAM6 | 314h |
| IOCAM9 | IOCAM8 | 318h |
| <i>Factory Test Only</i> | | 31Ch |
| <i>Reserved</i> | | 320h – 344h |

**Register 12-100. 308h IOCAM0 (Only Ports 0, 4, and 8,
and also NT Port Virtual Interface if Port 0 is the NT Port)**

| Bit(s) | Description | Type | Serial EEPROM and I ² C | Default |
|--------|--|------|------------------------------------|---------|
| 3:0 | I/O Addressing Capability 0h = 16-bit I/O addressing 1h = 32-bit I/O addressing | RO | Yes | 1h |
| 7:4 | I/O Base Mirror copy of Port 0 I/O Base value. | RW | Yes | Fh |
| 11:8 | I/O Addressing Capability 0h = 16-bit I/O addressing 1h = 32-bit I/O addressing | RO | Yes | 1h |
| 15:12 | I/O Limit Mirror copy of Port 0 I/O Limit value. | RW | Yes | 0h |

**Register 12-101. 30Ah IOCAM1 (Only Ports 0, 4, and 8,
and also NT Port Virtual Interface if Port 0 is the NT Port)**

| Bit(s) | Description | Type | Serial EEPROM and I ² C | Default |
|--------|--|------|------------------------------------|---------|
| 3:0 | I/O Addressing Capability 0h = 16-bit I/O addressing 1h = 32-bit I/O addressing | RO | Yes | 1h |
| 7:4 | I/O Base Mirror copy of Port 1 I/O Base value. | RW | Yes | Fh |
| 11:8 | I/O Addressing Capability 0h = 16-bit I/O addressing 1h = 32-bit I/O addressing | RO | Yes | 1h |
| 15:12 | I/O Limit Mirror copy of Port 1 I/O Limit value. | RW | Yes | 0h |

Register 12-102. 310h IOCAM4 (Only Ports 0, 4, and 8, and also NT Port Virtual Interface if Port 0 is the NT Port)

| Bit(s) | Description | Type | Serial EEPROM and I ² C | Default |
|--------|--|------|------------------------------------|---------|
| 3:0 | I/O Addressing Capability 0h = 16-bit I/O addressing 1h = 32-bit I/O addressing | RO | Yes | 1h |
| 7:4 | I/O Base Mirror copy of Port 4 I/O Base value. | RW | Yes | Fh |
| 11:8 | I/O Addressing Capability 0h = 16-bit I/O addressing 1h = 32-bit I/O addressing | RO | Yes | 1h |
| 15:12 | I/O Limit Mirror copy of Port 4 I/O Limit value. | RW | Yes | 0h |

Register 12-103. 312h IOCAM5 (Only Ports 0, 4, and 8, and also NT Port Virtual Interface if Port 0 is the NT Port)

| Bit(s) | Description | Type | Serial EEPROM and I ² C | Default |
|--------|--|------|------------------------------------|---------|
| 3:0 | I/O Addressing Capability 0h = 16-bit I/O addressing 1h = 32-bit I/O addressing | RO | Yes | 1h |
| 7:4 | I/O Base Mirror copy of Port 5 I/O Base value. | RW | Yes | Fh |
| 11:8 | I/O Addressing Capability 0h = 16-bit I/O addressing 1h = 32-bit I/O addressing | RO | Yes | 1h |
| 15:12 | I/O Limit Mirror copy of Port 5 I/O Limit value. | RW | Yes | 0h |

Register 12-104. 314h IOCAM6 (Only Ports 0, 4, and 8, and also NT Port Virtual Interface if Port 0 is the NT Port)

| Bit(s) | Description | Type | Serial EEPROM and I ² C | Default |
|--------|--|------|------------------------------------|---------|
| 3:0 | I/O Addressing Capability 0h = 16-bit I/O addressing 1h = 32-bit I/O addressing | RO | Yes | 1h |
| 7:4 | I/O Base Mirror copy of Port 6 I/O Base value. | RW | Yes | Fh |
| 11:8 | I/O Addressing Capability 0h = 16-bit I/O addressing 1h = 32-bit I/O addressing | RO | Yes | 1h |
| 15:12 | I/O Limit Mirror copy of Port 6 I/O Limit value. | RW | Yes | 0h |

Register 12-105. 318h IOCAM8 (Only Ports 0, 4, and 8, and also NT Port Virtual Interface if Port 0 is the NT Port)

| Bit(s) | Description | Type | Serial EEPROM and I ² C | Default |
|--------|--|------|------------------------------------|---------|
| 3:0 | I/O Addressing Capability 0h = 16-bit I/O addressing 1h = 32-bit I/O addressing | RO | Yes | 1h |
| 7:4 | I/O Base Mirror copy of Port 8 I/O Base value. | RW | Yes | Fh |
| 11:8 | I/O Addressing Capability 0h = 16-bit I/O addressing 1h = 32-bit I/O addressing | RO | Yes | 1h |
| 15:12 | I/O Limit Mirror copy of Port 8 I/O Limit value. | RW | Yes | 0h |

Register 12-106. 31Ah IOCAM9 (Only Ports 0, 4, and 8, and also NT Port Virtual Interface if Port 0 is the NT Port)

| Bit(s) | Description | Type | Serial EEPROM and I ² C | Default |
|--------|--|------|------------------------------------|---------|
| 3:0 | I/O Addressing Capability 0h = 16-bit I/O addressing 1h = 32-bit I/O addressing | RO | Yes | 1h |
| 7:4 | I/O Base Mirror copy of Port 9 I/O Base value. | RW | Yes | Fh |
| 11:8 | I/O Addressing Capability 0h = 16-bit I/O addressing 1h = 32-bit I/O addressing | RO | Yes | 1h |
| 15:12 | I/O Limit Mirror copy of Port 9 I/O Limit value. | RW | Yes | 0h |

12.14.8 Device-Specific Registers – Address-Mapping CAM (Offsets 348h – 444h)

This section details the Device-Specific Address-Mapping Content-Addressable Memory (AMCAM) registers, which are used to determine Memory Request routing. These registers contain mirror copies of the **Memory Base and Limit**, **Prefetchable Memory Base and Limit**, **Prefetchable Memory Upper Base Address**, and **Prefetchable Memory Upper Limit Address** registers (offsets 20h, 24h, 28h, and 2Ch, respectively), for each PEX 8624 Port. Table 12-33 defines the register map.

The AMCAM registers are automatically updated by hardware. *Modifying these registers by writing to the addresses listed here is not recommended.*

Table 12-33. Device-Specific AMCAM Register Map (Only Ports 0, 4, and 8, and also NT Port Virtual Interface if Port 0 is the NT Port)

| 31 | 30 | 29 | 28 | 27 | 26 | 25 | 24 | 23 | 22 | 21 | 20 | 19 | 18 | 17 | 16 | 15 | 14 | 13 | 12 | 11 | 10 | 9 | 8 | 7 | 6 | 5 | 4 | 3 | 2 | 1 | 0 | |
|--|----|----|----|----|----|----|----|----|----|----|----|----|----|----|----|---------------------------------|----|----|----|----|----|---|---|---|---|---|---|---|---|---|---|-------------|
| AMCAM0 Memory Limit | | | | | | | | | | | | | | | | AMCAM0 Memory Base | | | | | | | | | | | | | | | | 348h |
| AMCAM0 Prefetchable Memory Limit | | | | | | | | | | | | | | | | AMCAM0 Prefetchable Memory Base | | | | | | | | | | | | | | | | 34Ch |
| AMCAM0 Prefetchable Memory Base Upper 32 Bits | | | | | | | | | | | | | | | | | | | | | | | | | | | | | | | | 350h |
| AMCAM0 Prefetchable Memory Limit Upper 32 Bits | | | | | | | | | | | | | | | | | | | | | | | | | | | | | | | | 354h |
| AMCAM1 Memory Limit | | | | | | | | | | | | | | | | AMCAM1 Memory Base | | | | | | | | | | | | | | | | 358h |
| AMCAM1 Prefetchable Memory Limit | | | | | | | | | | | | | | | | AMCAM1 Prefetchable Memory Base | | | | | | | | | | | | | | | | 35Ch |
| AMCAM1 Prefetchable Memory Base Upper 32 Bits | | | | | | | | | | | | | | | | | | | | | | | | | | | | | | | | 360h |
| AMCAM1 Prefetchable Memory Limit Upper 32 Bits | | | | | | | | | | | | | | | | | | | | | | | | | | | | | | | | 364h |
| <i>Factory Test Only</i> | | | | | | | | | | | | | | | | | | | | | | | | | | | | | | | | 368h – 384h |
| AMCAM4 Memory Limit | | | | | | | | | | | | | | | | AMCAM4 Memory Base | | | | | | | | | | | | | | | | 388h |
| AMCAM4 Prefetchable Memory Limit | | | | | | | | | | | | | | | | AMCAM4 Prefetchable Memory Base | | | | | | | | | | | | | | | | 38Ch |
| AMCAM4 Prefetchable Memory Base Upper 32 Bits | | | | | | | | | | | | | | | | | | | | | | | | | | | | | | | | 390h |
| AMCAM4 Prefetchable Memory Limit Upper 32 Bits | | | | | | | | | | | | | | | | | | | | | | | | | | | | | | | | 394h |
| AMCAM5 Memory Limit | | | | | | | | | | | | | | | | AMCAM5 Memory Base | | | | | | | | | | | | | | | | 398h |
| AMCAM5 Prefetchable Memory Limit | | | | | | | | | | | | | | | | AMCAM5 Prefetchable Memory Base | | | | | | | | | | | | | | | | 39Ch |
| AMCAM5 Prefetchable Memory Base Upper 32 Bits | | | | | | | | | | | | | | | | | | | | | | | | | | | | | | | | 3A0h |
| AMCAM5 Prefetchable Memory Limit Upper 32 Bits | | | | | | | | | | | | | | | | | | | | | | | | | | | | | | | | 3A4h |
| AMCAM6 Memory Limit | | | | | | | | | | | | | | | | AMCAM6 Memory Base | | | | | | | | | | | | | | | | 3A8h |
| AMCAM6 Prefetchable Memory Limit | | | | | | | | | | | | | | | | AMCAM6 Prefetchable Memory Base | | | | | | | | | | | | | | | | 3ACh |
| AMCAM6 Prefetchable Memory Base Upper 32 Bits | | | | | | | | | | | | | | | | | | | | | | | | | | | | | | | | 3B0h |
| AMCAM6 Prefetchable Memory Limit Upper 32 Bits | | | | | | | | | | | | | | | | | | | | | | | | | | | | | | | | 3B4h |
| <i>Factory Test Only</i> | | | | | | | | | | | | | | | | | | | | | | | | | | | | | | | | 3B8h – 3C4h |
| AMCAM8 Memory Limit | | | | | | | | | | | | | | | | AMCAM8 Memory Base | | | | | | | | | | | | | | | | 3C8h |
| AMCAM8 Prefetchable Memory Limit | | | | | | | | | | | | | | | | AMCAM8 Prefetchable Memory Base | | | | | | | | | | | | | | | | 3CCh |

Table 12-33. Device-Specific AMCAM Register Map (Only Ports 0, 4, and 8, and also NT Port Virtual Interface if Port 0 is the NT Port) (Cont.)

| 31 30 29 28 27 26 25 24 23 22 21 20 19 18 17 16 | 15 14 13 12 11 10 9 8 7 6 5 4 3 2 1 0 | |
|---|---------------------------------------|-------------|
| AMCAM8 Prefetchable Memory Base Upper 32 Bits | | 3D0h |
| AMCAM8 Prefetchable Memory Limit Upper 32 Bits | | 3D4h |
| AMCAM9 Memory Limit | AMCAM9 Memory Base | 3D8h |
| AMCAM9 Prefetchable Memory Limit | AMCAM9 Prefetchable Memory Base | 3DCh |
| AMCAM9 Prefetchable Memory Base Upper 32 Bits | | 3E0h |
| AMCAM9 Prefetchable Memory Limit Upper 32 Bits | | 3E4h |
| <i>Factory Test Only</i> | | 3E8h – 404h |
| <i>Reserved</i> | | 408h – 444h |

Register 12-107. 348h AMCAM0 Memory Base and Limit (Only Ports 0, 4, and 8, and also NT Port Virtual Interface if Port 0 is the NT Port)

| Bit(s) | Description | Type | Serial EEPROM and I ² C | Default |
|----------------------------|---|-------|------------------------------------|---------|
| AMCAM0 Memory Base | | | | |
| 3:0 | <i>Reserved</i> | RsvdP | No | 0h |
| 15:4 | AMCAM0 Memory Base Mirror copy of Port 0 Memory Base value. | RW | Yes | FFFh |
| AMCAM0 Memory Limit | | | | |
| 19:16 | <i>Reserved</i> | RsvdP | No | 0h |
| 31:20 | AMCAM0 Memory Limit Mirror copy of Port 0 Memory Limit value. | RW | Yes | 000h |

Register 12-108. 34Ch AMCAM0 Prefetchable Memory Base and Limit (Only Ports 0, 4, and 8, and also NT Port Virtual Interface if Port 0 is the NT Port)

| Bit(s) | Description | Type | Serial EEPROM and I ² C | Default |
|---|--|------|------------------------------------|---------|
| AMCAM0 Prefetchable Memory Base | | | | |
| 3:0 | AMCAM0 Addressing Support 0h = 32-bit addressing is supported 1h = 64-bit addressing is supported | RO | Yes | 1h |
| 15:4 | AMCAM0 Prefetchable Memory Base AMCAM0 Port 0 Prefetchable Memory Base[31:20]. | RW | Yes | FFFh |
| AMCAM0 Prefetchable Memory Limit | | | | |
| 19:16 | AMCAM0 Addressing Support 0h = 32-bit addressing is supported 1h = 64-bit addressing is supported | RO | Yes | 1h |
| 31:20 | AMCAM0 Prefetchable Memory Limit AMCAM0 Port 0 Prefetchable Memory Limit[31:20]. | RW | Yes | 000h |

Register 12-109. 350h AMCAM0 Prefetchable Memory Base Upper 32 Bits (Only Ports 0, 4, and 8, and also NT Port Virtual Interface if Port 0 is the NT Port)

| Bit(s) | Description | Type | Serial EEPROM and I ² C | Default |
|--------|--|------|------------------------------------|------------|
| 31:0 | AMCAM0 Prefetchable Memory Base Upper 32 Bits AMCAM0 Port 0 Prefetchable Memory Base[63:32]. | RW | Yes | 0000_0000h |

Register 12-110. 354h AMCAM0 Prefetchable Memory Limit Upper 32 Bits (Only Ports 0, 4, and 8, and also NT Port Virtual Interface if Port 0 is the NT Port)

| Bit(s) | Description | Type | Serial EEPROM and I ² C | Default |
|--------|--|------|------------------------------------|------------|
| 31:0 | AMCAM0 Prefetchable Memory Limit Upper 32 Bits AMCAM0 Port 0 Prefetchable Memory Limit[63:32]. | RW | Yes | 0000_0000h |

Register 12-111. 358h AMCAM1 Memory Base and Limit (Only Ports 0, 4, and 8, and also NT Port Virtual Interface if Port 0 is the NT Port)

| Bit(s) | Description | Type | Serial EEPROM and I ² C | Default |
|----------------------------|---|-------|------------------------------------|---------|
| AMCAM1 Memory Base | | | | |
| 3:0 | <i>Reserved</i> | RsvdP | No | 0h |
| 15:4 | AMCAM1 Memory Base Mirror copy of Port 1 Memory Base value. | RW | Yes | FFFh |
| AMCAM1 Memory Limit | | | | |
| 19:16 | <i>Reserved</i> | RsvdP | No | 0h |
| 31:20 | AMCAM1 Memory Limit Mirror copy of Port 1 Memory Limit value. | RW | Yes | 000h |

Register 12-112. 35Ch AMCAM1 Prefetchable Memory Base and Limit (Only Ports 0, 4, and 8, and also NT Port Virtual Interface if Port 0 is the NT Port)

| Bit(s) | Description | Type | Serial EEPROM and I ² C | Default |
|---|--|------|------------------------------------|---------|
| AMCAM1 Prefetchable Memory Base | | | | |
| 3:0 | AMCAM1 Addressing Support 0h = 32-bit addressing is supported 1h = 64-bit addressing is supported | RO | Yes | 1h |
| 15:4 | AMCAM1 Prefetchable Memory Base AMCAM1 Port 1 Prefetchable Memory Base[31:20]. | RW | Yes | FFFh |
| AMCAM1 Prefetchable Memory Limit | | | | |
| 19:16 | AMCAM1 Addressing Support 0h = 32-bit addressing is supported 1h = 64-bit addressing is supported | RO | Yes | 1h |
| 31:20 | AMCAM1 Prefetchable Memory Limit AMCAM1 Port 1 Prefetchable Memory Limit[31:20]. | RW | Yes | 000h |

Register 12-113. 360h AMCAM1 Prefetchable Memory Base Upper 32 Bits (Only Ports 0, 4, and 8, and also NT Port Virtual Interface if Port 0 is the NT Port)

| Bit(s) | Description | Type | Serial EEPROM and I ² C | Default |
|--------|--|------|------------------------------------|------------|
| 31:0 | AMCAM1 Prefetchable Memory Base Upper 32 Bits AMCAM1 Port 1 Prefetchable Memory Base[63:32]. | RW | Yes | 0000_0000h |

Register 12-114. 364h AMCAM1 Prefetchable Memory Limit Upper 32 Bits (Only Ports 0, 4, and 8, and also NT Port Virtual Interface if Port 0 is the NT Port)

| Bit(s) | Description | Type | Serial EEPROM and I ² C | Default |
|--------|--|------|------------------------------------|------------|
| 31:0 | AMCAM1 Prefetchable Memory Limit Upper 32 Bits AMCAM1 Port 1 Prefetchable Memory Limit[63:32]. | RW | Yes | 0000_0000h |

Register 12-115. 388h AMCAM4 Memory Base and Limit (Only Ports 0, 4, and 8, and also NT Port Virtual Interface if Port 0 is the NT Port)

| Bit(s) | Description | Type | Serial EEPROM and I ² C | Default |
|----------------------------|---|-------|------------------------------------|---------|
| AMCAM4 Memory Base | | | | |
| 3:0 | <i>Reserved</i> | RsvdP | No | 0h |
| 15:4 | AMCAM4 Memory Base Mirror copy of Port 4 Memory Base value. | RW | Yes | FFFh |
| AMCAM4 Memory Limit | | | | |
| 19:16 | <i>Reserved</i> | RsvdP | No | 0h |
| 31:20 | AMCAM4 Memory Limit Mirror copy of Port 4 Memory Limit value. | RW | Yes | 000h |

Register 12-116. 38Ch AMCAM4 Prefetchable Memory Base and Limit (Only Ports 0, 4, and 8, and also NT Port Virtual Interface if Port 0 is the NT Port)

| Bit(s) | Description | Type | Serial EEPROM and I ² C | Default |
|---|--|------|------------------------------------|---------|
| AMCAM4 Prefetchable Memory Base | | | | |
| 3:0 | AMCAM4 Addressing Support 0h = 32-bit addressing is supported 1h = 64-bit addressing is supported | RO | Yes | 1h |
| 15:4 | AMCAM4 Prefetchable Memory Base AMCAM4 Port 4 Prefetchable Memory Base[31:20]. | RW | Yes | FFFh |
| AMCAM4 Prefetchable Memory Limit | | | | |
| 19:16 | AMCAM4 Addressing Support 0h = 32-bit addressing is supported 1h = 64-bit addressing is supported | RO | Yes | 1h |
| 31:20 | AMCAM4 Prefetchable Memory Limit AMCAM4 Port 4 Prefetchable Memory Limit[31:20]. | RW | Yes | 000h |

Register 12-117. 390h AMCAM4 Prefetchable Memory Base Upper 32 Bits (Only Ports 0, 4, and 8, and also NT Port Virtual Interface if Port 0 is the NT Port)

| Bit(s) | Description | Type | Serial EEPROM and I ² C | Default |
|--------|--|------|------------------------------------|------------|
| 31:0 | AMCAM4 Prefetchable Memory Base Upper 32 Bits AMCAM4 Port 4 Prefetchable Memory Base[63:32]. | RW | Yes | 0000_0000h |

Register 12-118. 394h AMCAM4 Prefetchable Memory Limit Upper 32 Bits (Only Ports 0, 4, and 8, and also NT Port Virtual Interface if Port 0 is the NT Port)

| Bit(s) | Description | Type | Serial EEPROM and I ² C | Default |
|--------|--|------|------------------------------------|------------|
| 31:0 | AMCAM4 Prefetchable Memory Limit Upper 32 Bits AMCAM4 Port 4 Prefetchable Memory Limit[63:32]. | RW | Yes | 0000_0000h |

Register 12-119. 398h AMCAM5 Memory Base and Limit (Only Ports 0, 4, and 8, and also NT Port Virtual Interface if Port 0 is the NT Port)

| Bit(s) | Description | Type | Serial EEPROM and I ² C | Default |
|----------------------------|---|-------|------------------------------------|---------|
| AMCAM5 Memory Base | | | | |
| 3:0 | <i>Reserved</i> | RsvdP | No | 0h |
| 15:4 | AMCAM5 Memory Base Mirror copy of Port 5 Memory Base value. | RW | Yes | FFFh |
| AMCAM5 Memory Limit | | | | |
| 19:16 | <i>Reserved</i> | RsvdP | No | 0h |
| 31:20 | AMCAM5 Memory Limit Mirror copy of Port 5 Memory Limit value. | RW | Yes | 000h |

Register 12-120. 39Ch AMCAM5 Prefetchable Memory Base and Limit (Only Ports 0, 4, and 8, and also NT Port Virtual Interface if Port 0 is the NT Port)

| Bit(s) | Description | Type | Serial EEPROM and I ² C | Default |
|---|--|------|------------------------------------|---------|
| AMCAM5 Prefetchable Memory Base | | | | |
| 3:0 | AMCAM5 Addressing Support 0h = 32-bit addressing is supported 1h = 64-bit addressing is supported | RO | Yes | 1h |
| 15:4 | AMCAM5 Prefetchable Memory Base AMCAM5 Port 5 Prefetchable Memory Base[31:20]. | RW | Yes | FFFh |
| AMCAM5 Prefetchable Memory Limit | | | | |
| 19:16 | AMCAM5 Addressing Support 0h = 32-bit addressing is supported 1h = 64-bit addressing is supported | RO | Yes | 1h |
| 31:20 | AMCAM5 Prefetchable Memory Limit AMCAM5 Port 5 Prefetchable Memory Limit[31:20]. | RW | Yes | 000h |

Register 12-121. 3A0h AMCAM5 Prefetchable Memory Base Upper 32 Bits (Only Ports 0, 4, and 8, and also NT Port Virtual Interface if Port 0 is the NT Port)

| Bit(s) | Description | Type | Serial EEPROM and I ² C | Default |
|--------|--|------|------------------------------------|------------|
| 31:0 | AMCAM5 Prefetchable Memory Base Upper 32 Bits AMCAM5 Port 5 Prefetchable Memory Base[63:32]. | RW | Yes | 0000_0000h |

Register 12-122. 3A4h AMCAM5 Prefetchable Memory Limit Upper 32 Bits (Only Ports 0, 4, and 8, and also NT Port Virtual Interface if Port 0 is the NT Port)

| Bit(s) | Description | Type | Serial EEPROM and I ² C | Default |
|--------|--|------|------------------------------------|------------|
| 31:0 | AMCAM5 Prefetchable Memory Limit Upper 32 Bits AMCAM5 Port 5 Prefetchable Memory Limit[63:32]. | RW | Yes | 0000_0000h |

Register 12-123. 3A8h AMCAM6 Memory Base and Limit (Only Ports 0, 4, and 8, and also NT Port Virtual Interface if Port 0 is the NT Port)

| Bit(s) | Description | Type | Serial EEPROM and I ² C | Default |
|----------------------------|---|-------|------------------------------------|---------|
| AMCAM6 Memory Base | | | | |
| 3:0 | <i>Reserved</i> | RsvdP | No | 0h |
| 15:4 | AMCAM6 Memory Base Mirror copy of Port 6 Memory Base value. | RW | Yes | FFFh |
| AMCAM6 Memory Limit | | | | |
| 19:16 | <i>Reserved</i> | RsvdP | No | 0h |
| 31:20 | AMCAM6 Memory Limit Mirror copy of Port 6 Memory Limit value. | RW | Yes | 000h |

Register 12-124. 3ACh AMCAM6 Prefetchable Memory Base and Limit (Only Ports 0, 4, and 8, and also NT Port Virtual Interface if Port 0 is the NT Port)

| Bit(s) | Description | Type | Serial EEPROM and I ² C | Default |
|---|--|------|------------------------------------|---------|
| AMCAM6 Prefetchable Memory Base | | | | |
| 3:0 | AMCAM6 Addressing Support 0h = 32-bit addressing is supported 1h = 64-bit addressing is supported | RO | Yes | 1h |
| 15:4 | AMCAM6 Prefetchable Memory Base AMCAM6 Port 6 Prefetchable Memory Base[31:20]. | RW | Yes | FFFh |
| AMCAM6 Prefetchable Memory Limit | | | | |
| 19:16 | AMCAM6 Addressing Support 0h = 32-bit addressing is supported 1h = 64-bit addressing is supported | RO | Yes | 1h |
| 31:20 | AMCAM6 Prefetchable Memory Limit AMCAM6 Port 6 Prefetchable Memory Limit[31:20]. | RW | Yes | 000h |

Register 12-125. 3B0h AMCAM6 Prefetchable Memory Base Upper 32 Bits (Only Ports 0, 4, and 8, and also NT Port Virtual Interface if Port 0 is the NT Port)

| Bit(s) | Description | Type | Serial EEPROM and I ² C | Default |
|--------|--|------|------------------------------------|------------|
| 31:0 | AMCAM6 Prefetchable Memory Base Upper 32 Bits AMCAM6 Port 6 Prefetchable Memory Base[63:32]. | RW | Yes | 0000_0000h |

Register 12-126. 3B4h AMCAM6 Prefetchable Memory Limit Upper 32 Bits (Only Ports 0, 4, and 8, and also NT Port Virtual Interface if Port 0 is the NT Port)

| Bit(s) | Description | Type | Serial EEPROM and I ² C | Default |
|--------|--|------|------------------------------------|------------|
| 31:0 | AMCAM6 Prefetchable Memory Limit Upper 32 Bits AMCAM6 Port 6 Prefetchable Memory Limit[63:32]. | RW | Yes | 0000_0000h |

Register 12-127. 3C8h AMCAM8 Memory Base and Limit (Only Ports 0, 4, and 8, and also NT Port Virtual Interface if Port 0 is the NT Port)

| Bit(s) | Description | Type | Serial EEPROM and I ² C | Default |
|----------------------------|---|-------|------------------------------------|---------|
| AMCAM8 Memory Base | | | | |
| 3:0 | <i>Reserved</i> | RsvdP | No | 0h |
| 15:4 | AMCAM8 Memory Base Mirror copy of Port 8 Memory Base value. | RW | Yes | FFFh |
| AMCAM8 Memory Limit | | | | |
| 19:16 | <i>Reserved</i> | RsvdP | No | 0h |
| 31:20 | AMCAM8 Memory Limit Mirror copy of Port 8 Memory Limit value. | RW | Yes | 000h |

Register 12-128. 3CCh AMCAM8 Prefetchable Memory Base and Limit (Only Ports 0, 4, and 8, and also NT Port Virtual Interface if Port 0 is the NT Port)

| Bit(s) | Description | Type | Serial EEPROM and I ² C | Default |
|---|--|------|------------------------------------|---------|
| AMCAM8 Prefetchable Memory Base | | | | |
| 3:0 | AMCAM8 Addressing Support 0h = 32-bit addressing is supported 1h = 64-bit addressing is supported | RO | Yes | 1h |
| 15:4 | AMCAM8 Prefetchable Memory Base AMCAM8 Port 8 Prefetchable Memory Base[31:20]. | RW | Yes | FFFh |
| AMCAM8 Prefetchable Memory Limit | | | | |
| 19:16 | AMCAM8 Addressing Support 0h = 32-bit addressing is supported 1h = 64-bit addressing is supported | RO | Yes | 1h |
| 31:20 | AMCAM8 Prefetchable Memory Limit AMCAM8 Port 8 Prefetchable Memory Limit[31:20]. | RW | Yes | 000h |

Register 12-129. 3D0h AMCAM8 Prefetchable Memory Base Upper 32 Bits (Only Ports 0, 4, and 8, and also NT Port Virtual Interface if Port 0 is the NT Port)

| Bit(s) | Description | Type | Serial EEPROM and I ² C | Default |
|--------|--|------|------------------------------------|------------|
| 31:0 | AMCAM8 Prefetchable Memory Base Upper 32 Bits AMCAM8 Port 8 Prefetchable Memory Base[63:32]. | RW | Yes | 0000_0000h |

Register 12-130. 3D4h AMCAM8 Prefetchable Memory Limit Upper 32 Bits (Only Ports 0, 4, and 8, and also NT Port Virtual Interface if Port 0 is the NT Port)

| Bit(s) | Description | Type | Serial EEPROM and I ² C | Default |
|--------|--|------|------------------------------------|------------|
| 31:0 | AMCAM8 Prefetchable Memory Limit Upper 32 Bits AMCAM8 Port 8 Prefetchable Memory Limit[63:32]. | RW | Yes | 0000_0000h |

Register 12-131. 3D8h AMCAM9 Memory Base and Limit (Only Ports 0, 4, and 8, and also NT Port Virtual Interface if Port 0 is the NT Port)

| Bit(s) | Description | Type | Serial EEPROM and I ² C | Default |
|----------------------------|---|-------|------------------------------------|---------|
| AMCAM9 Memory Base | | | | |
| 3:0 | <i>Reserved</i> | RsvdP | No | 0h |
| 15:4 | AMCAM9 Memory Base Mirror copy of Port 9 Memory Base value. | RW | Yes | FFFh |
| AMCAM9 Memory Limit | | | | |
| 19:16 | <i>Reserved</i> | RsvdP | No | 0h |
| 31:20 | AMCAM9 Memory Limit Mirror copy of Port 9 Memory Limit value. | RW | Yes | 000h |

Register 12-132. 3DCh AMCAM9 Prefetchable Memory Base and Limit (Only Ports 0, 4, and 8, and also NT Port Virtual Interface if Port 0 is the NT Port)

| Bit(s) | Description | Type | Serial EEPROM and I ² C | Default |
|---|--|------|------------------------------------|---------|
| AMCAM9 Prefetchable Memory Base | | | | |
| 3:0 | AMCAM9 Addressing Support 0h = 32-bit addressing is supported 1h = 64-bit addressing is supported | RO | Yes | 1h |
| 15:4 | AMCAM9 Prefetchable Memory Base AMCAM9 Port 9 Prefetchable Memory Base[31:20]. | RW | Yes | FFFh |
| AMCAM9 Prefetchable Memory Limit | | | | |
| 19:16 | AMCAM9 Addressing Support 0h = 32-bit addressing is supported 1h = 64-bit addressing is supported | RO | Yes | 1h |
| 31:20 | AMCAM9 Prefetchable Memory Limit AMCAM9 Port 9 Prefetchable Memory Limit[31:20]. | RW | Yes | 000h |

Register 12-133. 3E0h AMCAM9 Prefetchable Memory Base Upper 32 Bits (Only Ports 0, 4, and 8, and also NT Port Virtual Interface if Port 0 is the NT Port)

| Bit(s) | Description | Type | Serial EEPROM and I ² C | Default |
|--------|--|------|------------------------------------|------------|
| 31:0 | AMCAM9 Prefetchable Memory Base Upper 32 Bits AMCAM9 Port 9 Prefetchable Memory Base[63:32]. | RW | Yes | 0000_0000h |

Register 12-134. 3E4h AMCAM9 Prefetchable Memory Limit Upper 32 Bits (Only Ports 0, 4, and 8, and also NT Port Virtual Interface if Port 0 is the NT Port)

| Bit(s) | Description | Type | Serial EEPROM and I ² C | Default |
|--------|--|------|------------------------------------|------------|
| 31:0 | AMCAM9 Prefetchable Memory Limit Upper 32 Bits AMCAM9 Port 9 Prefetchable Memory Limit[63:32]. | RW | Yes | 0000_0000h |

12.14.9 Device-Specific Registers – Vendor-Specific Dual Cast Extended Capability (Offsets 448h – 51Ch)

This section details the Device-Specific, Vendor-Specific Dual Cast Extended Capability registers. Table 12-34 defines the register map.

The Dual Cast registers exist in Port 0. A copy of these registers (excluding the Header at offsets 448h and 44Ch) also exists in Stations 1 and 2 (*that is*, at the same respective offsets in Ports 4 and 8). When software programs the Port 0 registers, the PEX 8624 automatically copies the values to each Station. However, if the Dual Cast registers are programmed by serial EEPROM or I²C, the values are not copied to the other Stations, and therefore software, serial EEPROM, or I²C must perform the copy operation.

If the Dual Cast registers (in Port 0) are programmed by serial EEPROM or I²C, either:

- Program the serial EEPROM or I²C to additionally program the values into the same respective offsets in Ports 4 and 8, –or–
- Trigger an automatic copy operation, by causing software to read and write back the same values into the Port 0 registers

Table 12-34. Device-Specific, Vendor-Specific Dual Cast Extended Capability Register Map (Only Port 0, and also NT Port Virtual Interface if Port 0 is the NT Port)

| 31 30 29 28 27 26 25 24 23 22 21 20 19 18 17 16 | | | | | | | | | | | | | | | | 15 14 13 12 11 10 9 8 7 6 5 4 3 2 1 0 | | | | | | | | | | | | | | | | | |
|---|-------------------------|--|--|--|--|--|--|--|--|--|--|--|--|--|--|---------------------------------------|--|--|--|--|--|--|--|--|--|--|--|--|--|--|--|------|--|
| Next Capability Offset (950h or 520h) | Capability Version (1h) | | | | | | | | | | | | | | | | PCI Express Extended Capability ID (000Bh) | | | | | | | | | | | | | | | | |
| Vendor-Specific Header 1 | | | | | | | | | | | | | | | | | | | | | | | | | | | | | | | | 448h | |
| Dual Cast Low BAR0 | | | | | | | | | | | | | | | | | | | | | | | | | | | | | | | | 44Ch | |
| Dual Cast High BAR0 | | | | | | | | | | | | | | | | | | | | | | | | | | | | | | | | 450h | |
| Dual Cast Low BAR0 Translation | | | | | | | | | | | | | | | | | | | | | | | | | | | | | | | | 454h | |
| Dual Cast High BAR0 Translation | | | | | | | | | | | | | | | | | | | | | | | | | | | | | | | | 458h | |
| Dual Cast Low BAR0 Setup | | | | | | | | | | | | | | | | | | | | | | | | | | | | | | | | 45Ch | |
| Dual Cast High BAR0 Setup | | | | | | | | | | | | | | | | | | | | | | | | | | | | | | | | 460h | |
| Dual Cast Low BAR1 | | | | | | | | | | | | | | | | | | | | | | | | | | | | | | | | 464h | |
| Dual Cast High BAR1 | | | | | | | | | | | | | | | | | | | | | | | | | | | | | | | | 468h | |
| Dual Cast Low BAR1 Translation | | | | | | | | | | | | | | | | | | | | | | | | | | | | | | | | 46Ch | |
| Dual Cast High BAR1 Translation | | | | | | | | | | | | | | | | | | | | | | | | | | | | | | | | 470h | |
| Dual Cast Low BAR1 Setup | | | | | | | | | | | | | | | | | | | | | | | | | | | | | | | | 474h | |
| Dual Cast High BAR1 Setup | | | | | | | | | | | | | | | | | | | | | | | | | | | | | | | | 478h | |
| Dual Cast Low BAR2 | | | | | | | | | | | | | | | | | | | | | | | | | | | | | | | | 47Ch | |
| Dual Cast High BAR2 | | | | | | | | | | | | | | | | | | | | | | | | | | | | | | | | 480h | |
| Dual Cast Low BAR2 Translation | | | | | | | | | | | | | | | | | | | | | | | | | | | | | | | | 484h | |
| Dual Cast High BAR2 Translation | | | | | | | | | | | | | | | | | | | | | | | | | | | | | | | | 488h | |
| Dual Cast Low BAR2 Setup | | | | | | | | | | | | | | | | | | | | | | | | | | | | | | | | 48Ch | |
| Dual Cast High BAR2 Setup | | | | | | | | | | | | | | | | | | | | | | | | | | | | | | | | 490h | |
| Dual Cast Low BAR3 | | | | | | | | | | | | | | | | | | | | | | | | | | | | | | | | 494h | |
| Dual Cast High BAR3 | | | | | | | | | | | | | | | | | | | | | | | | | | | | | | | | 498h | |
| Dual Cast Low BAR3 | | | | | | | | | | | | | | | | | | | | | | | | | | | | | | | | 49Ch | |
| Dual Cast High BAR3 | | | | | | | | | | | | | | | | | | | | | | | | | | | | | | | | 49Ch | |

**Table 12-34. Device-Specific, Vendor-Specific Dual Cast Extended Capability Register Map
(Only Port 0, and also NT Port Virtual Interface if Port 0 is the NT Port) (Cont.)**

| 31 30 29 28 27 26 25 24 23 22 21 20 19 18 17 16 | 15 14 13 12 11 10 9 8 7 6 5 4 3 2 1 0 | |
|---|---------------------------------------|--|
| | | Dual Cast Low BAR3 Translation 4A0h |
| | | Dual Cast High BAR3 Translation 4A4h |
| | | Dual Cast Low BAR3 Setup 4A8h |
| | | Dual Cast High BAR3 Setup 4ACh |
| | | Dual Cast Low BAR4 4B0h |
| | | Dual Cast High BAR4 4B4h |
| | | Dual Cast Low BAR4 Translation 4B8h |
| | | Dual Cast High BAR4 Translation 4BCh |
| | | Dual Cast Low BAR4 Setup 4C0h |
| | | Dual Cast High BAR4 Setup 4C4h |
| | | Dual Cast Low BAR5 4C8h |
| | | Dual Cast High BAR5 4CCh |
| | | Dual Cast Low BAR5 Translation 4D0h |
| | | Dual Cast High BAR5 Translation 4D4h |
| | | Dual Cast Low BAR5 Setup 4D8h |
| | | Dual Cast High BAR5 Setup 4DCh |
| | | Dual Cast Low BAR6 4E0h |
| | | Dual Cast High BAR6 4E4h |
| | | Dual Cast Low BAR6 Translation 4E8h |
| | | Dual Cast High BAR6 Translation 4ECh |
| | | Dual Cast Low BAR6 Setup 4F0h |
| | | Dual Cast High BAR6 Setup 4F4h |
| | | Dual Cast Low BAR7 4F8h |
| | | Dual Cast High BAR7 4FCh |
| | | Dual Cast Low BAR7 Translation 500h |
| | | Dual Cast High BAR7 Translation 504h |
| | | Dual Cast Low BAR7 Setup 508h |
| | | Dual Cast High BAR7 Setup 50Ch |
| | | Dual Cast Source Destination Port 510h |
| | | <i>Reserved</i> 514h – 51Ch |

**Register 12-135. 448h Vendor-Specific Extended Capability Header
(Only Port 0, and also NT Port Virtual Interface if Port 0 is the NT Port)**

| Bit(s) | Description | Ports | Type | Serial EEPROM and I ² C | Default |
|--------|---|------------|------|------------------------------------|---------|
| 15:0 | PCI Express Extended Capability ID Programmed to 000Bh, indicating that the Capability structure is the Vendor-Specific Extended Capability structure. | | RO | Yes | 000Bh |
| 19:16 | Capability Version | | RO | Yes | 1h |
| 31:20 | Next Capability Offset Next extended capability is the Vendor-Specific Extended Capability 2 structure, offset 950h. | Upstream | RO | Yes | 950h |
| | Next extended capability is the ACS Extended Capability structure, offset 520h. | Downstream | RO | No | 520h |

**Register 12-136. 44Ch Vendor-Specific Header 1
(Only Port 0, and also NT Port Virtual Interface if Port 0 is the NT Port)**

| Bit(s) | Description | Type | Serial EEPROM and I ² C | Default |
|--------|---|------|------------------------------------|---------|
| 15:0 | Vendor-Specific ID ID Number of this Vendor-Specific Extended Capability (VSEC) structure. | RO | Yes | 0000h |
| 19:16 | Vendor-Specific Rev Version Number of this VSEC structure. | RO | Yes | 0h |
| 31:20 | Vendor-Specific Length Number of bytes in the entire VSEC structure. | RO | Yes | 0CCh |

Register 12-137. 450h Dual Cast Low BAR0
(Only Port 0, and also NT Port Virtual Interface if Port 0 is the NT Port)

| Bit(s) | Description | Type | Serial EEPROM and I ² C | Default |
|--------|--|------|------------------------------------|---------|
| 0 | <i>Reserved</i> | RO | No | 0 |
| 2:1 | Memory Map Type 00b = Base Address register is 32 bits wide and can be mapped anywhere in the 32-bit Memory space 10b = Base Address register is 64 bits wide and can be mapped anywhere in the 64-bit Address space All other encodings are <i>reserved</i> . | RO | No | 10b |
| 3 | Prefetchable Not used, but included for software compatibility with respect to Base Address Register (BAR) definition. | RO | Yes | 1 |
| 19:4 | <i>Reserved</i> | RO | No | 0_000h |
| 31:20 | Dual Cast BAR | RW | Yes | 000h |

Register 12-138. 454h Dual Cast High BAR0
(Only Port 0, and also NT Port Virtual Interface if Port 0 is the NT Port)

| Bit(s) | Description | Type | Serial EEPROM and I ² C | Default |
|--------|---|------|------------------------------------|------------|
| 31:0 | Dual Cast Upper Base Address Dual Cast's Upper Base Address (BAR[63:32]). | RW | No | 0000_0000h |

Register 12-139. 458h Dual Cast Low BAR0 Translation
(Only Port 0, and also NT Port Virtual Interface if Port 0 is the NT Port)

| Bit(s) | Description | Type | Serial EEPROM and I ² C | Default |
|--------|---------------------------------|-------|------------------------------------|---------|
| 19:0 | <i>Reserved</i> | RsvdP | No | 0_0000h |
| 31:20 | Base Translation Address | RW | Yes | 000h |

Register 12-140. 45Ch Dual Cast High BAR0 Translation
(Only Port 0, and also NT Port Virtual Interface if Port 0 is the NT Port)

| Bit(s) | Description | Type | Serial EEPROM and I ² C | Default |
|--------|--|-------|------------------------------------|------------|
| 31:0 | Dual Cast Base Translation Upper Address RW when the Dual Cast Low BAR0 register <i>Memory Map Type</i> field (Port 0, and also NT Port Virtual Interface if Port 0 is the NT Port, offset 450h[2:1]) is programmed to 10b. | RW | Yes | 0000_0000h |
| | <i>Reserved</i> when the Dual Cast Low BAR0 register <i>Memory Map Type</i> field (Port 0, and also NT Port Virtual Interface if Port 0 is the NT Port, offset 450h[2:1]) is Cleared. | RsvdP | No | 0000_0000h |

Register 12-141. 460h Dual Cast Low BAR0 Setup
(Only Port 0, and also NT Port Virtual Interface if Port 0 is the NT Port)

| Bit(s) | Description | Type | Serial EEPROM and I ² C | Default |
|--------|-------------------|-------|------------------------------------|---------|
| 19:0 | <i>Reserved</i> | RsvdP | No | 0_0000h |
| 31:20 | Base Setup | RW | Yes | 000h |

Register 12-142. 464h Dual Cast High BAR0 Setup
(Only Port 0, and also NT Port Virtual Interface if Port 0 is the NT Port)

| Bit(s) | Description | Type | Serial EEPROM and I ² C | Default |
|--------|--|-------|------------------------------------|------------|
| 31:0 | Dual Cast Upper BAR Setup RW when the Dual Cast Low BAR0 register <i>Memory Map Type</i> field (Port 0, and also NT Port Virtual Interface if Port 0 is the NT Port, offset 450h[2:1]) is programmed to 10b. Bit 31 values: 0 = BAR is disabled 1 = BAR is enabled | RW | Yes | 0000_0000h |
| | <i>Reserved</i> when the Dual Cast Low BAR0 register <i>Memory Map Type</i> field (Port 0, and also NT Port Virtual Interface if Port 0 is the NT Port, offset 450h[2:1]) is Cleared. | RsvdP | No | 0000_0000h |

Register 12-143. 468h Dual Cast Low BAR1
(Only Port 0, and also NT Port Virtual Interface if Port 0 is the NT Port)

| Bit(s) | Description | Type | Serial EEPROM and I ² C | Default |
|--------|--|------|------------------------------------|---------|
| 0 | <i>Reserved</i> | RO | No | 0 |
| 2:1 | Memory Map Type 00b = Base Address register is 32 bits wide and can be mapped anywhere in the 32-bit Memory space 10b = Base Address register is 64 bits wide and can be mapped anywhere in the 64-bit Address space All other encodings are <i>reserved</i> . | RO | No | 10b |
| 3 | <i>Reserved</i> | RO | Yes | 1 |
| 19:4 | <i>Reserved</i> | RO | No | 0_000h |
| 31:20 | Dual Cast BAR | RW | Yes | 000h |

Register 12-144. 46Ch Dual Cast High BAR1
(Only Port 0, and also NT Port Virtual Interface if Port 0 is the NT Port)

| Bit(s) | Description | Type | Serial EEPROM and I ² C | Default |
|--------|---|------|------------------------------------|------------|
| 31:0 | Dual Cast Upper Base Address Dual Cast's Upper Base Address (BAR[63:32]). | RW | No | 0000_0000h |

Register 12-145. 470h Dual Cast Low BAR1 Translation
(Only Port 0, and also NT Port Virtual Interface if Port 0 is the NT Port)

| Bit(s) | Description | Type | Serial EEPROM and I ² C | Default |
|--------|---------------------------------|-------|------------------------------------|---------|
| 19:0 | <i>Reserved</i> | RsvdP | No | 0_0000h |
| 31:20 | Base Translation Address | RW | Yes | 000h |

Register 12-146. 474h Dual Cast High BAR1 Translation
(Only Port 0, and also NT Port Virtual Interface if Port 0 is the NT Port)

| Bit(s) | Description | Type | Serial EEPROM and I ² C | Default |
|--------|--|-------|------------------------------------|------------|
| 31:0 | Dual Cast Base Translation Upper Address RW when the Dual Cast Low BAR1 register <i>Memory Map Type</i> field (Port 0, and also NT Port Virtual Interface if Port 0 is the NT Port, offset 468h[2:1]) is programmed to 10b. | RW | Yes | 0000_0000h |
| | <i>Reserved</i> when the Dual Cast Low BAR1 register <i>Memory Map Type</i> field (Port 0, and also NT Port Virtual Interface if Port 0 is the NT Port, offset 468h[2:1]) is Cleared. | RsvdP | No | 0000_0000h |

Register 12-147. 478h Dual Cast Low BAR1 Setup
(Only Port 0, and also NT Port Virtual Interface if Port 0 is the NT Port)

| Bit(s) | Description | Type | Serial EEPROM and I ² C | Default |
|--------|-------------------|-------|------------------------------------|---------|
| 19:0 | <i>Reserved</i> | RsvdP | No | 0_0000h |
| 31:20 | Base Setup | RW | Yes | 000h |

Register 12-148. 47Ch Dual Cast High BAR1 Setup
(Only Port 0, and also NT Port Virtual Interface if Port 0 is the NT Port)

| Bit(s) | Description | Type | Serial EEPROM and I ² C | Default |
|--------|--|-------|------------------------------------|------------|
| 31:0 | Dual Cast Upper BAR Setup RW when the Dual Cast Low BAR1 register <i>Memory Map Type</i> field (Port 0, and also NT Port Virtual Interface if Port 0 is the NT Port, offset 468h[2:1]) is programmed to 10b. Bit 31 values: 0 = BAR is disabled 1 = BAR is enabled | RW | Yes | 0000_0000h |
| | Reserved when the Dual Cast Low BAR1 register <i>Memory Map Type</i> field (Port 0, and also NT Port Virtual Interface if Port 0 is the NT Port, offset 468h[2:1]) is Cleared. | RsvdP | No | 0000_0000h |

Register 12-149. 480h Dual Cast Low BAR2
(Only Port 0, and also NT Port Virtual Interface if Port 0 is the NT Port)

| Bit(s) | Description | Type | Serial EEPROM and I ² C | Default |
|--------|--|------|------------------------------------|---------|
| 0 | <i>Reserved</i> | RO | No | 0 |
| 2:1 | Memory Map Type 00b = Base Address register is 32 bits wide and can be mapped anywhere in the 32-bit Memory space 10b = Base Address register is 64 bits wide and can be mapped anywhere in the 64-bit Address space All other encodings are <i>reserved</i> . | RO | No | 10b |
| 3 | <i>Reserved</i> | RO | Yes | 1 |
| 19:4 | <i>Reserved</i> | RO | No | 0_000h |
| 31:20 | Dual Cast BAR | RW | Yes | 000h |

Register 12-150. 484h Dual Cast High BAR2
(Only Port 0, and also NT Port Virtual Interface if Port 0 is the NT Port)

| Bit(s) | Description | Type | Serial EEPROM and I ² C | Default |
|--------|---|------|------------------------------------|------------|
| 31:0 | Dual Cast Upper Base Address Dual Cast's Upper Base Address (BAR[63:32]). | RW | No | 0000_0000h |

Register 12-151. 488h Dual Cast Low BAR2 Translation
(Only Port 0, and also NT Port Virtual Interface if Port 0 is the NT Port)

| Bit(s) | Description | Type | Serial EEPROM and I ² C | Default |
|--------|---------------------------------|-------|------------------------------------|---------|
| 19:0 | <i>Reserved</i> | RsvdP | No | 0_0000h |
| 31:20 | Base Translation Address | RW | Yes | 000h |

Register 12-152. 48Ch Dual Cast High BAR2 Translation
(Only Port 0, and also NT Port Virtual Interface if Port 0 is the NT Port)

| Bit(s) | Description | Type | Serial EEPROM and I ² C | Default |
|--------|--|-------|------------------------------------|------------|
| 31:0 | Dual Cast Base Translation Upper Address RW when the Dual Cast Low BAR2 register <i>Memory Map Type</i> field (Port 0, and also NT Port Virtual Interface if Port 0 is the NT Port, offset 480h[2:1]) is programmed to 10b. | RW | Yes | 0000_0000h |
| | <i>Reserved</i> when the Dual Cast Low BAR2 register <i>Memory Map Type</i> field (Port 0, and also NT Port Virtual Interface if Port 0 is the NT Port, offset 480h[2:1]) is Cleared. | RsvdP | No | 0000_0000h |

Register 12-153. 490h Dual Cast Low BAR2 Setup
(Only Port 0, and also NT Port Virtual Interface if Port 0 is the NT Port)

| Bit(s) | Description | Type | Serial EEPROM and I ² C | Default |
|--------|-------------------|-------|------------------------------------|---------|
| 19:0 | <i>Reserved</i> | RsvdP | No | 0_0000h |
| 31:20 | Base Setup | RW | Yes | 000h |

Register 12-154. 494h Dual Cast High BAR2 Setup
(Only Port 0, and also NT Port Virtual Interface if Port 0 is the NT Port)

| Bit(s) | Description | Type | Serial EEPROM and I ² C | Default |
|--------|--|-------|------------------------------------|------------|
| 31:0 | Dual Cast Upper BAR Setup RW when the Dual Cast Low BAR2 register <i>Memory Map Type</i> field (Port 0, and also NT Port Virtual Interface if Port 0 is the NT Port, offset 480h[2:1]) is programmed to 10b. Bit 31 values: 0 = BAR is disabled 1 = BAR is enabled | RW | Yes | 0000_0000h |
| | <i>Reserved</i> when the Dual Cast Low BAR2 register <i>Memory Map Type</i> field (Port 0, and also NT Port Virtual Interface if Port 0 is the NT Port, offset 480h[2:1]) is Cleared. | RsvdP | No | 0000_0000h |

Register 12-155. 498h Dual Cast Low BAR3
(Only Port 0, and also NT Port Virtual Interface if Port 0 is the NT Port)

| Bit(s) | Description | Type | Serial EEPROM and I ² C | Default |
|--------|--|------|------------------------------------|---------|
| 0 | <i>Reserved</i> | RO | No | 0 |
| 2:1 | Memory Map Type 00b = Base Address register is 32 bits wide and can be mapped anywhere in the 32-bit Memory space 10b = Base Address register is 64 bits wide and can be mapped anywhere in the 64-bit Address space All other encodings are <i>reserved</i> . | RO | No | 10b |
| 3 | <i>Reserved</i> | RO | Yes | 1 |
| 19:4 | <i>Reserved</i> | RO | No | 0_000h |
| 31:20 | Dual Cast BAR | RW | Yes | 000h |

Register 12-156. 49Ch Dual Cast High BAR3
(Only Port 0, and also NT Port Virtual Interface if Port 0 is the NT Port)

| Bit(s) | Description | Type | Serial EEPROM and I ² C | Default |
|--------|---|------|------------------------------------|------------|
| 31:0 | Dual Cast Upper Base Address Dual Cast's Upper Base Address (BAR[63:32]). | RW | No | 0000_0000h |

Register 12-157. 4A0h Dual Cast Low BAR3 Translation
(Only Port 0, and also NT Port Virtual Interface if Port 0 is the NT Port)

| Bit(s) | Description | Type | Serial EEPROM and I ² C | Default |
|--------|---------------------------------|-------|------------------------------------|---------|
| 19:0 | <i>Reserved</i> | RsvdP | No | 0_0000h |
| 31:20 | Base Translation Address | RW | Yes | 000h |

Register 12-158. 4A4h Dual Cast High BAR3 Translation
(Only Port 0, and also NT Port Virtual Interface if Port 0 is the NT Port)

| Bit(s) | Description | Type | Serial EEPROM and I ² C | Default |
|--------|--|-------|------------------------------------|------------|
| 31:0 | Dual Cast Base Translation Upper Address RW when the Dual Cast Low BAR3 register <i>Memory Map Type</i> field (Port 0, and also NT Port Virtual Interface if Port 0 is the NT Port, offset 498h[2:1]) is programmed to 10b. | RW | Yes | 0000_0000h |
| | <i>Reserved</i> when the Dual Cast Low BAR3 register <i>Memory Map Type</i> field (Port 0, and also NT Port Virtual Interface if Port 0 is the NT Port, offset 498h[2:1]) is Cleared. | RsvdP | No | 0000_0000h |

Register 12-159. 4A8h Dual Cast Low BAR3 Setup
(Only Port 0, and also NT Port Virtual Interface if Port 0 is the NT Port)

| Bit(s) | Description | Type | Serial EEPROM and I ² C | Default |
|--------|-------------------|-------|------------------------------------|---------|
| 19:0 | <i>Reserved</i> | RsvdP | No | 0_0000h |
| 31:20 | Base Setup | RW | Yes | 000h |

Register 12-160. 4ACh Dual Cast High BAR3 Setup
(Only Port 0, and also NT Port Virtual Interface if Port 0 is the NT Port)

| Bit(s) | Description | Type | Serial EEPROM and I ² C | Default |
|--------|--|-------|------------------------------------|------------|
| 31:0 | Dual Cast Upper BAR Setup RW when the Dual Cast Low BAR3 register <i>Memory Map Type</i> field (Port 0, and also NT Port Virtual Interface if Port 0 is the NT Port, offset 498h[2:1]) is programmed to 10b. Bit 31 values: 0 = BAR is disabled 1 = BAR is enabled | RW | Yes | 0000_0000h |
| | Reserved when the Dual Cast Low BAR3 register <i>Memory Map Type</i> field (Port 0, and also NT Port Virtual Interface if Port 0 is the NT Port, offset 498h[2:1]) is Cleared. | RsvdP | No | 0000_0000h |

Register 12-161. 4B0h Dual Cast Low BAR4
(Only Port 0, and also NT Port Virtual Interface if Port 0 is the NT Port)

| Bit(s) | Description | Type | Serial EEPROM and I ² C | Default |
|--------|--|------|------------------------------------|---------|
| 0 | <i>Reserved</i> | RO | No | 0 |
| 2:1 | Memory Map Type 00b = Base Address register is 32 bits wide and can be mapped anywhere in the 32-bit Memory space 10b = Base Address register is 64 bits wide and can be mapped anywhere in the 64-bit Address space All other encodings are <i>reserved</i> . | RO | No | 10b |
| 3 | <i>Reserved</i> | RO | Yes | 1 |
| 19:4 | <i>Reserved</i> | RO | No | 0_000h |
| 31:20 | Dual Cast BAR | RW | Yes | 000h |

Register 12-162. 4B4h Dual Cast High BAR4
(Only Port 0, and also NT Port Virtual Interface if Port 0 is the NT Port)

| Bit(s) | Description | Type | Serial EEPROM and I ² C | Default |
|--------|---|------|------------------------------------|------------|
| 31:0 | Dual Cast Upper Base Address Dual Cast's Upper Base Address (BAR[63:32]). | RW | No | 0000_0000h |

Register 12-163. 4B8h Dual Cast Low BAR4 Translation
(Only Port 0, and also NT Port Virtual Interface if Port 0 is the NT Port)

| Bit(s) | Description | Type | Serial EEPROM and I ² C | Default |
|--------|---------------------------------|-------|------------------------------------|---------|
| 19:0 | <i>Reserved</i> | RsvdP | No | 0_0000h |
| 31:20 | Base Translation Address | RW | Yes | 000h |

Register 12-164. 4BCh Dual Cast High BAR4 Translation
(Only Port 0, and also NT Port Virtual Interface if Port 0 is the NT Port)

| Bit(s) | Description | Type | Serial EEPROM and I ² C | Default |
|--------|--|-------|------------------------------------|------------|
| 31:0 | Dual Cast Base Translation Upper Address RW when the Dual Cast Low BAR4 register <i>Memory Map Type</i> field (Port 0, and also NT Port Virtual Interface if Port 0 is the NT Port, offset 4B0h[2:1]) is programmed to 10b. | RW | Yes | 0000_0000h |
| | <i>Reserved</i> when the Dual Cast Low BAR4 register <i>Memory Map Type</i> field (Port 0, and also NT Port Virtual Interface if Port 0 is the NT Port, offset 4B0h[2:1]) is Cleared. | RsvdP | No | 0000_0000h |

Register 12-165. 4C0h Dual Cast Low BAR4 Setup
(Only Port 0, and also NT Port Virtual Interface if Port 0 is the NT Port)

| Bit(s) | Description | Type | Serial EEPROM and I ² C | Default |
|--------|-------------------|-------|------------------------------------|---------|
| 19:0 | <i>Reserved</i> | RsvdP | No | 0_0000h |
| 31:20 | Base Setup | RW | Yes | 000h |

Register 12-166. 4C4h Dual Cast High BAR4 Setup
(Only Port 0, and also NT Port Virtual Interface if Port 0 is the NT Port)

| Bit(s) | Description | Type | Serial EEPROM and I ² C | Default |
|--------|--|-------|------------------------------------|------------|
| 31:0 | Dual Cast Upper BAR Setup RW when the Dual Cast Low BAR4 register <i>Memory Map Type</i> field (Port 0, and also NT Port Virtual Interface if Port 0 is the NT Port, offset 4B0h[2:1]) is programmed to 10b. Bit 31 values: 0 = BAR is disabled 1 = BAR is enabled | RW | Yes | 0000_0000h |
| | Reserved when the Dual Cast Low BAR4 register <i>Memory Map Type</i> field (Port 0, and also NT Port Virtual Interface if Port 0 is the NT Port, offset 4B0h[2:1]) is Cleared. | RsvdP | No | 0000_0000h |

Register 12-167. 4C8h Dual Cast Low BAR5
(Only Port 0, and also NT Port Virtual Interface if Port 0 is the NT Port)

| Bit(s) | Description | Type | Serial EEPROM and I ² C | Default |
|--------|--|------|------------------------------------|---------|
| 0 | <i>Reserved</i> | RO | No | 0 |
| 2:1 | Memory Map Type 00b = Base Address register is 32 bits wide and can be mapped anywhere in the 32-bit Memory space 10b = Base Address register is 64 bits wide and can be mapped anywhere in the 64-bit Address space All other encodings are <i>reserved</i> . | RO | No | 10b |
| 3 | <i>Reserved</i> | RO | Yes | 1 |
| 19:4 | <i>Reserved</i> | RO | No | 0_000h |
| 31:20 | Dual Cast BAR | RW | Yes | 000h |

Register 12-168. 4CCh Dual Cast High BAR5
(Only Port 0, and also NT Port Virtual Interface if Port 0 is the NT Port)

| Bit(s) | Description | Type | Serial EEPROM and I ² C | Default |
|--------|---|------|------------------------------------|------------|
| 31:0 | Dual Cast Upper Base Address Dual Cast's Upper Base Address (BAR[63:32]). | RW | No | 0000_0000h |

Register 12-169. 4D0h Dual Cast Low BAR5 Translation
(Only Port 0, and also NT Port Virtual Interface if Port 0 is the NT Port)

| Bit(s) | Description | Type | Serial EEPROM and I ² C | Default |
|--------|---------------------------------|-------|------------------------------------|---------|
| 19:0 | <i>Reserved</i> | RsvdP | No | 0_0000h |
| 31:20 | Base Translation Address | RW | Yes | 000h |

Register 12-170. 4D4h Dual Cast High BAR5 Translation
(Only Port 0, and also NT Port Virtual Interface if Port 0 is the NT Port)

| Bit(s) | Description | Type | Serial EEPROM and I ² C | Default |
|--------|--|-------|------------------------------------|------------|
| 31:0 | Dual Cast Base Translation Upper Address RW when the Dual Cast Low BAR5 register <i>Memory Map Type</i> field (Port 0, and also NT Port Virtual Interface if Port 0 is the NT Port, offset 4C8h[2:1]) is programmed to 10b. | RW | Yes | 0000_0000h |
| | <i>Reserved</i> when the Dual Cast Low BAR5 register <i>Memory Map Type</i> field (Port 0, and also NT Port Virtual Interface if Port 0 is the NT Port, offset 4C8h[2:1]) is Cleared. | RsvdP | No | 0000_0000h |

Register 12-171. 4D8h Dual Cast Low BAR5 Setup
(Only Port 0, and also NT Port Virtual Interface if Port 0 is the NT Port)

| Bit(s) | Description | Type | Serial EEPROM and I ² C | Default |
|--------|-------------------|-------|------------------------------------|---------|
| 19:0 | <i>Reserved</i> | RsvdP | No | 0_0000h |
| 31:20 | Base Setup | RW | Yes | 000h |

Register 12-172. 4DCh Dual Cast High BAR5 Setup
(Only Port 0, and also NT Port Virtual Interface if Port 0 is the NT Port)

| Bit(s) | Description | Type | Serial EEPROM and I ² C | Default |
|--------|--|-------|------------------------------------|------------|
| 31:0 | Dual Cast Upper BAR Setup RW when the Dual Cast Low BAR5 register <i>Memory Map Type</i> field (Port 0, and also NT Port Virtual Interface if Port 0 is the NT Port, offset 4C8h[2:1]) is programmed to 10b. Bit 31 values: 0 = BAR is disabled 1 = BAR is enabled | RW | Yes | 0000_0000h |
| | <i>Reserved</i> when the Dual Cast Low BAR5 register <i>Memory Map Type</i> field (Port 0, and also NT Port Virtual Interface if Port 0 is the NT Port, offset 4C8h[2:1]) is Cleared. | RsvdP | No | 0000_0000h |

Register 12-173. 4E0h Dual Cast Low BAR6
(Only Port 0, and also NT Port Virtual Interface if Port 0 is the NT Port)

| Bit(s) | Description | Type | Serial EEPROM and I ² C | Default |
|--------|--|------|------------------------------------|---------|
| 0 | <i>Reserved</i> | RO | No | 0 |
| 2:1 | Memory Map Type 00b = Base Address register is 32 bits wide and can be mapped anywhere in the 32-bit Memory space 10b = Base Address register is 64 bits wide and can be mapped anywhere in the 64-bit Address space All other encodings are <i>reserved</i> . | RO | No | 10b |
| 3 | <i>Reserved</i> | RO | Yes | 1 |
| 19:4 | <i>Reserved</i> | RO | No | 0_000h |
| 31:20 | Dual Cast BAR | RW | Yes | 000h |

Register 12-174. 4E4h Dual Cast High BAR6
(Only Port 0, and also NT Port Virtual Interface if Port 0 is the NT Port)

| Bit(s) | Description | Type | Serial EEPROM and I ² C | Default |
|--------|---|------|------------------------------------|------------|
| 31:0 | Dual Cast Upper Base Address Dual Cast's Upper Base Address (BAR[63:32]). | RW | No | 0000_0000h |

Register 12-175. 4E8h Dual Cast Low BAR6 Translation
(Only Port 0, and also NT Port Virtual Interface if Port 0 is the NT Port)

| Bit(s) | Description | Type | Serial EEPROM and I ² C | Default |
|--------|---------------------------------|-------|------------------------------------|---------|
| 19:0 | <i>Reserved</i> | RsvdP | No | 0_0000h |
| 31:20 | Base Translation Address | RW | Yes | 000h |

Register 12-176. 4ECh Dual Cast High BAR6 Translation
(Only Port 0, and also NT Port Virtual Interface if Port 0 is the NT Port)

| Bit(s) | Description | Type | Serial EEPROM and I ² C | Default |
|--------|--|-------|------------------------------------|------------|
| 31:0 | Dual Cast Base Translation Upper Address RW when the Dual Cast Low BAR6 register <i>Memory Map Type</i> field (Port 0, and also NT Port Virtual Interface if Port 0 is the NT Port, offset 4E0h[2:1]) is programmed to 10b. | RW | Yes | 0000_0000h |
| | <i>Reserved</i> when the Dual Cast Low BAR6 register <i>Memory Map Type</i> field (Port 0, and also NT Port Virtual Interface if Port 0 is the NT Port, offset 4E0h[2:1]) is Cleared. | RsvdP | No | 0000_0000h |

Register 12-177. 4F0h Dual Cast Low BAR6 Setup
(Only Port 0, and also NT Port Virtual Interface if Port 0 is the NT Port)

| Bit(s) | Description | Type | Serial EEPROM and I ² C | Default |
|--------|-------------------|-------|------------------------------------|---------|
| 19:0 | <i>Reserved</i> | RsvdP | No | 0_0000h |
| 31:20 | Base Setup | RW | Yes | 000h |

Register 12-178. 4F4h Dual Cast High BAR6 Setup
(Only Port 0, and also NT Port Virtual Interface if Port 0 is the NT Port)

| Bit(s) | Description | Type | Serial EEPROM and I ² C | Default |
|--------|--|-------|------------------------------------|------------|
| 31:0 | Dual Cast Upper BAR Setup RW when the Dual Cast Low BAR6 register <i>Memory Map Type</i> field (Port 0, and also NT Port Virtual Interface if Port 0 is the NT Port, offset 4E0h[2:1]) is programmed to 10b. Bit 31 values: 0 = BAR is disabled 1 = BAR is enabled | RW | Yes | 0000_0000h |
| | Reserved when the Dual Cast Low BAR6 register <i>Memory Map Type</i> field (Port 0, and also NT Port Virtual Interface if Port 0 is the NT Port, offset 4E0h[2:1]) is Cleared. | RsvdP | No | 0000_0000h |

Register 12-179. 4F8h Dual Cast Low BAR7
(Only Port 0, and also NT Port Virtual Interface if Port 0 is the NT Port)

| Bit(s) | Description | Type | Serial EEPROM and I ² C | Default |
|--------|--|------|------------------------------------|---------|
| 0 | <i>Reserved</i> | RO | No | 0 |
| 2:1 | Memory Map Type 00b = Base Address register is 32 bits wide and can be mapped anywhere in the 32-bit Memory space 10b = Base Address register is 64 bits wide and can be mapped anywhere in the 64-bit Address space All other encodings are <i>reserved</i> . | RO | No | 10b |
| 3 | <i>Reserved</i> | RO | Yes | 1 |
| 19:4 | <i>Reserved</i> | RO | No | 0_000h |
| 31:20 | Dual Cast BAR | RW | Yes | 000h |

Register 12-180. 4FCh Dual Cast High BAR7
(Only Port 0, and also NT Port Virtual Interface if Port 0 is the NT Port)

| Bit(s) | Description | Type | Serial EEPROM and I ² C | Default |
|--------|---|------|------------------------------------|------------|
| 31:0 | Dual Cast Upper Base Address Dual Cast's Upper Base Address (BAR[63:32]). | RW | No | 0000_0000h |

Register 12-181. 500h Dual Cast Low BAR7 Translation
(Only Port 0, and also NT Port Virtual Interface if Port 0 is the NT Port)

| Bit(s) | Description | Type | Serial EEPROM and I ² C | Default |
|--------|---------------------------------|-------|------------------------------------|---------|
| 19:0 | <i>Reserved</i> | RsvdP | No | 0_0000h |
| 31:20 | Base Translation Address | RW | Yes | 000h |

Register 12-182. 504h Dual Cast High BAR7 Translation
(Only Port 0, and also NT Port Virtual Interface if Port 0 is the NT Port)

| Bit(s) | Description | Type | Serial EEPROM and I ² C | Default |
|--------|--|-------|------------------------------------|------------|
| 31:0 | Dual Cast Base Translation Upper Address RW when the Dual Cast Low BAR7 register <i>Memory Map Type</i> field (Port 0, and also NT Port Virtual Interface if Port 0 is the NT Port, offset 4F8h[2:1]) is programmed to 10b. | RW | Yes | 0000_0000h |
| | <i>Reserved</i> when the Dual Cast Low BAR7 register <i>Memory Map Type</i> field (Port 0, and also NT Port Virtual Interface if Port 0 is the NT Port, offset 4F8h[2:1]) is Cleared. | RsvdP | No | 0000_0000h |

Register 12-183. 508h Dual Cast Low BAR7 Setup
(Only Port 0, and also NT Port Virtual Interface if Port 0 is the NT Port)

| Bit(s) | Description | Type | Serial EEPROM and I ² C | Default |
|--------|-------------------|-------|------------------------------------|---------|
| 19:0 | <i>Reserved</i> | RsvdP | No | 0_0000h |
| 31:20 | Base Setup | RW | Yes | 000h |

Register 12-184. 50Ch Dual Cast High BAR7 Setup
(Only Port 0, and also NT Port Virtual Interface if Port 0 is the NT Port)

| Bit(s) | Description | Type | Serial EEPROM and I ² C | Default |
|--------|--|-------|------------------------------------|------------|
| 31:0 | Dual Cast Upper BAR Setup RW when the Dual Cast Low BAR7 register <i>Memory Map Type</i> field (Port 0, and also NT Port Virtual Interface if Port 0 is the NT Port, offset 4F8h[2:1]) is programmed to 10b. Bit 31 values: 0 = BAR is disabled 1 = BAR is enabled | RW | Yes | 0000_0000h |
| | <i>Reserved</i> when the Dual Cast Low BAR7 register <i>Memory Map Type</i> field (Port 0, and also NT Port Virtual Interface if Port 0 is the NT Port, offset 4F8h[2:1]) is Cleared. | RsvdP | No | 0000_0000h |

**Register 12-185. 510h Dual Cast Source Destination Port
(Only Port 0, and also NT Port Virtual Interface if Port 0 is the NT Port;
Reserved (RsvdP) for Dual Cast BAR Limit Lower Register)**

| Bit(s) | Description | Type | Serial EEPROM and I ² C | Default |
|--------|---|-------|------------------------------------|---------|
| 1:0 | <p>Dual Cast Source Port # Valid only when bit 8 (<i>Dual Cast Source Port Enable</i>) is Set. Specifies the source (ingress) Port Number upon which Dual Cast BARs are applied. Refer to Table 12-35 for Source Port # to Source Station # mapping.</p> | RW | Yes | 00b |
| 3:2 | <p>Dual Cast Source Station # Specifies the source (ingress) Station Number upon which Dual Cast BARs are applied. Refer to Table 12-35 for Source Port # to Source Station # mapping. 00b = Station 0 01b = Station 1 10b = Station 2 11b = <i>Reserved</i></p> | RW | Yes | 00b |
| 7:4 | <p>Dual Cast Destination Port # Specifies the destination (egress) Port Number to which Dual Cast BAR Translation addresses are mapped, and to which Dual Cast Copy TLPs will be queued. 0h = Port 0 1h = Port 1 5h = Port 5 6h = Port 6 8h = Port 8 9h = Port 9 All other encodings are <i>reserved</i>.</p> | RW | Yes | 0h |
| 8 | <p>Dual Cast Source Port Enable 0 = Dual Cast applies to Write TLPs entering any Port on the Dual Cast Source Station specified in field [3:2] (<i>Dual Cast Source Station #</i>). In that case, the field [1:0] (<i>Dual Cast Source Port #</i>) value is “Don’t Care.” 1 = Dual Cast applies only to Write TLPs entering the PEX 8624, by way of the Dual Cast Source Port Number specified in field [1:0].</p> | RW | Yes | 0 |
| 31:9 | <i>Reserved</i> | RsvdP | No | 0-0h |

Table 12-35. Dual Cast Source Destination Port Register – Source Port # and Source Station Field Values, by Port (Offset 510h)

| Port | Dual Cast Source Port # (Field [1:0] Value) | Dual Cast Source Station # (Field [3:2] Value) |
|------|--|---|
| 0 | 00b | 00b |
| 1 | 01b | 00b |
| 5 | 01b | 01b |
| 6 | 10b | 01b |
| 8 | 00b | 10b |
| 9 | 01b | 10b |

Register 12-187. 524h ACS Control and Capability
(All Downstream Ports; Reserved (RsvdP) for the Upstream Port)

| Bit(s) | Description | Ports | Type | Serial EEPROM and I ² C | Default |
|-----------------------|--|------------|--------|------------------------------------|---------|
| ACS Capability | | | | | |
| 0 | <i>Reserved</i> | Upstream | RsvdP | No | 0 |
| | ACS Source Validation | Downstream | RO | Yes | 1 |
| 1 | <i>Reserved</i> | Upstream | RsvdP | No | 0 |
| | ACS Translation Blocking | Downstream | RO | Yes | 1 |
| 2 | <i>Reserved</i> | Upstream | RsvdP | No | 0 |
| | ACS P2P Request Redirect ACS Peer-to-Peer Request redirect. | Downstream | RO | Yes | 1 |
| 3 | <i>Reserved</i> | Upstream | RsvdP | No | 0 |
| | ACS P2P Completion Redirect ACS Peer-to-Peer Completion redirect. | Downstream | RO | Yes | 1 |
| 4 | <i>Reserved</i> | Upstream | RsvdP | No | 0 |
| | ACS Upstream Forwarding | Downstream | RO | Yes | 1 |
| 5 | <i>Reserved</i> | Upstream | RsvdP | No | 0 |
| | ACS P2P Egress Control ACS Peer-to-Peer Egress control. | Downstream | RO | Yes | 1 |
| 6 | <i>Reserved</i> | Upstream | RsvdP | No | 0 |
| | ACS Direct Translated P2P ACS Direct Translated Peer-to-Peer. | Downstream | RO | Yes | 1 |
| 7 | <i>Reserved</i> | | RsvdP | No | 0 |
| 11:8 | <i>Reserved</i> | Upstream | RsvdP | No | 0 |
| | Egress Control Vector Size Encodings 1h through Fh directly indicate the number of each downstream Port's Egress Control Vector register <i>Peer-to-Peer Port x Control</i> bit (Downstream Ports, offset 528h[9, 8, 6, 5, 1, 0]). <i>Note: The ACS Egress Control Vector Size value must be adjusted for the specific Port configuration.</i> | Downstream | HwInit | Yes | Ch |
| 15:12 | <i>Reserved</i> | | RsvdP | No | 0h |

**Register 12-187. 524h ACS Control and Capability
(All Downstream Ports; Reserved (RsvdP) for the Upstream Port) (Cont.)**

| Bit(s) | Description | Ports | Type | Serial EEPROM and I ² C | Default |
|--------------------|---|------------|-------|------------------------------------|---------|
| ACS Control | | | | | |
| 16 | <i>Reserved</i> | Upstream | RsvdP | No | 0 |
| | ACS Source Validation Enable 0 = Disables 1 = Enables | Downstream | RW | Yes | 0 |
| 17 | <i>Reserved</i> | Upstream | RsvdP | No | 0 |
| | ACS Translation Blocking Enable 0 = Disables 1 = Enables | Downstream | RW | Yes | 0 |
| 18 | <i>Reserved</i> | Upstream | RsvdP | No | 0 |
| | ACS P2P Request Redirect Enable Enables or disables ACS Peer-to-Peer Request redirect. 0 = Disables 1 = Enables | Downstream | RW | Yes | 0 |
| 19 | <i>Reserved</i> | Upstream | RsvdP | No | 0 |
| | ACS P2P Completion Redirect Enable Enables or disables ACS Peer-to-Peer Completion redirect. 0 = Disables 1 = Enables | Downstream | RW | Yes | 0 |
| 20 | <i>Reserved</i> | Upstream | RsvdP | No | 0 |
| | ACS Upstream Forwarding Enable 0 = Disables 1 = Enables | Downstream | RW | Yes | 0 |
| 21 | <i>Reserved</i> | Upstream | RsvdP | No | 0 |
| | ACS P2P Egress Control Enable Enables or disables ACS Peer-to-Peer Egress control. 0 = Disables 1 = Enables | Downstream | RW | Yes | 0 |
| 22 | <i>Reserved</i> | Upstream | RsvdP | No | 0 |
| | ACS Direct Translated P2P Enable Enables or disables ACS Direct Translated Peer-to-Peer. 0 = Disables 1 = Enables | Downstream | RW | Yes | 0 |
| 31:23 | <i>Reserved</i> | | RsvdP | No | 0-0h |

**Register 12-188. 528h Egress Control Vector
(All Downstream Ports; Reserved (RsvdP) for the Upstream Port)**

| Bit(s) | Description | Ports | Type | Serial EEPROM and I ² C | Default |
|--------|--|------------|-------|------------------------------------|---------|
| 0 | <i>Reserved</i> | Upstream | RsvdP | No | 0 |
| | Peer-to-Peer Port 0 Control Valid when the ACS Control register <i>ACS P2P Egress Control Enable</i> bit (Downstream Ports, offset 524h[21]) is Set. 0 = No Peer-to-Peer control 1 = ACS Peer-to-Peer control | Downstream | RW | Yes | 0 |
| 1 | <i>Reserved</i> | Upstream | RsvdP | No | 0 |
| | Peer-to-Peer Port 1 Control Valid when the ACS Control register <i>ACS P2P Egress Control Enable</i> bit (Downstream Ports, offset 524h[21]) is Set. 0 = No Peer-to-Peer control 1 = ACS Peer-to-Peer control | Downstream | RW | Yes | 0 |
| 3:2 | <i>Factory Test Only</i> | | RsvdP | No | 00b |
| 4 | <i>Reserved</i> | Upstream | RsvdP | No | 0 |
| | Peer-to-Peer Port 4 Control Valid when the ACS Control register <i>ACS P2P Egress Control Enable</i> bit (Downstream Ports, offset 524h[21]) is Set. 0 = No Peer-to-Peer control 1 = ACS Peer-to-Peer control | Downstream | RW | Yes | 0 |
| 5 | <i>Reserved</i> | Upstream | RsvdP | No | 0 |
| | Peer-to-Peer Port 5 Control Valid when the ACS Control register <i>ACS P2P Egress Control Enable</i> bit (Downstream Ports, offset 524h[21]) is Set. 0 = No Peer-to-Peer control 1 = ACS Peer-to-Peer control | Downstream | RW | Yes | 0 |
| 6 | <i>Reserved</i> | Upstream | RsvdP | No | 0 |
| | Peer-to-Peer Port 6 Control Valid when the ACS Control register <i>ACS P2P Egress Control Enable</i> bit (Downstream Ports, offset 524h[21]) is Set. 0 = No Peer-to-Peer control 1 = ACS Peer-to-Peer control | Downstream | RW | Yes | 0 |
| 7 | <i>Factory Test Only</i> | | RsvdP | No | 0 |

Register 12-188. 528h Egress Control Vector
(All Downstream Ports; Reserved (RsvdP) for the Upstream Port) (Cont.)

| Bit(s) | Description | Ports | Type | Serial EEPROM and I ² C | Default |
|--------|--|------------|-------|------------------------------------|---------|
| 8 | <i>Reserved</i> | Upstream | RsvdP | No | 0 |
| | Peer-to-Peer Port 8 Control Valid when the ACS Control register <i>ACS P2P Egress Control Enable</i> bit (Downstream Ports, offset 524h[21]) is Set. 0 = No Peer-to-Peer control 1 = ACS Peer-to-Peer control | Downstream | RW | Yes | 0 |
| 9 | <i>Reserved</i> | Upstream | RsvdP | No | 0 |
| | Peer-to-Peer Port 9 Control Valid when the ACS Control register <i>ACS P2P Egress Control Enable</i> bit (Downstream Ports, offset 524h[21]) is Set. 0 = No Peer-to-Peer control 1 = ACS Peer-to-Peer control | Downstream | RW | Yes | 0 |
| 11:10 | Factory Test Only | | RsvdP | No | 00b |
| 31:12 | <i>Reserved</i> | | RsvdP | No | 0000_0h |

12.16 Device-Specific Registers (Offsets 54Ch – F8Ch)

This section details the Device-Specific registers located at offsets 54Ch through F8Ch. Device-Specific registers are unique to the PEX 8624 and not referenced in the *PCI Express Base r2.0*. Table 12-37 defines the register map.

Other Device-Specific registers are detailed in Section 12.14, “Device-Specific Registers (Offsets 1C0h – 51Ch).”

Note: It is recommended that these registers not be changed from their default values.

Table 12-37. Device-Specific Register Map (Offsets 54Ch – F8Ch)

| 31 30 29 28 27 26 25 24 23 22 21 20 19 18 17 16 | 15 14 13 12 11 10 9 8 7 6 5 4 3 2 1 0 | | |
|---|---------------------------------------|--|---------------------|
| <i>Factory Test Only/Reserved</i> | | 54Ch – | 570h |
| Device-Specific Registers – Port Configuration (Offsets 574h – 628h) | | | 574h ... 628h |
| Device-Specific Registers – General-Purpose Input/Output (Offsets 62Ch – 65Ch) | | | 62Ch ... 65Ch |
| Device-Specific Registers – Ingress Control and Port Enable (Offsets 660h – 67Ch) | | | 660h ... 67Ch |
| Device-Specific Registers – IOCAM Base and Limit Upper 16 Bits (Offsets 680h – 6BCh) | | | 680h ... 6BCh |
| Device-Specific Registers – Base Address Shadow (Offsets 6C0h – 73Ch) | | | 6C0h ... 73Ch |
| Device-Specific Registers – Virtual Channel Resource Control Shadow (Offsets 740h – 83Ch) | | | 740h ... 83Ch |
| <i>Reserved</i> | | 840h – | 93Ch |
| Device-Specific Registers – Ingress Credit Handler Port Pool (Offsets 940h – 94Ch) | | | 940h ... 94Ch |
| Next Capability Offset 2 (000h) | 1h | PCI Express Extended Capability ID 2 (000Bh) | 950h |
| Device-Specific Registers – Vendor-Specific Extended Capability 2 (Offsets 950h – 95Ch) | | | ... 95Ch |
| <i>Factory Test Only</i> | | 960h – | 97Ch |
| Device-Specific Registers – ACS Extended Capability (Offsets 980h – 9FCh) | | | 980h ... 9FCh |

Table 12-37. Device-Specific Register Map (Offsets 54Ch – F8Ch) (Cont.)

| 31 30 29 28 27 26 25 24 23 22 21 20 19 18 17 16 | 15 14 13 12 11 10 9 8 7 6 5 4 3 2 1 0 | |
|--|---------------------------------------|---------------------|
| Device-Specific Registers – Ingress Credit Handler Threshold (Offsets A00h – B7Ch) | | A00h ... B7Ch |
| Device-Specific Registers – SerDes Support (Offsets B80h – BFCh) | | B80h ... BFCh |
| <i>Reserved</i> | | C00h – DFCh |
| Device-Specific Registers – Port Configuration Header (Offsets E00h – E3Ch) | | E00h ... E3Ch |
| <i>Reserved</i> | | E40h – EFCh |
| Device-Specific Registers – Source Queue Weight and Soft Error (Offsets F00h – F30h) | | F00h ... F30h |
| Device-Specific Registers – Read Pacing (Offsets F34h – F3Ch) | | F34h ... F3Ch |
| Device-Specific Registers – Error Reporting (Offsets F40h – F4Ch) | | F40h ... F4Ch |
| Device-Specific Registers – ARI Capability (Offsets F50h – F8Ch) | | F50h ... F8Ch |

12.16.1 Device-Specific Registers – Port Configuration (Offsets 574h – 628h)

This section details the Device-Specific Port Configuration register. [Table 12-38](#) defines the register map.

Table 12-38. Device-Specific Port Configuration Register Map (Only Port 0, and also NT Port Virtual Interface if Port 0 is the NT Port)

| | | |
|---|---------------------------------------|-------------|
| 31 30 29 28 27 26 25 24 23 22 21 20 19 18 17 16 | 15 14 13 12 11 10 9 8 7 6 5 4 3 2 1 0 | 574h |
| <i>Port Configuration</i> | | |
| <i>Factory Test Only</i> | | 578h – 628h |

Register 12-189. 574h Port Configuration (Only Port 0, and also NT Port Virtual Interface if Port 0 is the NT Port)

| Bit(s) | Description | Type | Serial EEPROM and I ² C | Default |
|--|--|------|------------------------------------|--|
| <i>Note: The Port configuration for each Station is provided in Table 12-39. Yellow-highlighted table cells indicate the default Hot Plug Port for each configuration.</i> | | | | |
| 1:0 | <p>Port Configuration for Station 0</p> <p>Port Configuration Link width, per Port, for Station 0. The serial EEPROM bit values always override the STRAP_STN0_PORTCFG1 Strapping input (if the serial EEPROM values are loaded; refer to Table 12-39).</p> <p>This register is reset only by a Fundamental Reset (PEX_PERST# assertion).</p> <p>STRAP_STN0_PORTCFG1 controls the Bit 1 value. Bit 0 value must be 0.</p> <p>00b = x4, x4 10b = x8</p> <p>All other encodings are <i>reserved</i>.</p> | RO | Yes | Set by STRAP_STN0_PORTCFG1 input level |
| 3:2 | <p>Port Configuration for Station 1</p> <p>Port Configuration Link width, per Port, for Station 1. The serial EEPROM bit values always override the STRAP_STN1_PORTCFG0 Strapping input (if the serial EEPROM values are loaded; refer to Table 12-39).</p> <p>This register is reset only by a Fundamental Reset (PEX_PERST# assertion).</p> <p>STRAP_STN1_PORTCFG0 controls the Bit 2 value. Bit 3 value must be 1.</p> <p>10b = x8 11b = x4, x4</p> <p>All other encodings are <i>reserved</i>.</p> | RO | Yes | Set by STRAP_STN1_PORTCFG0 input level |

Register 12-189. 574h Port Configuration (Only Port 0, and also NT Port Virtual Interface if Port 0 is the NT Port) (Cont.)

| Bit(s) | Description | Type | Serial EEPROM and I ² C | Default |
|--------|--|-------|------------------------------------|--|
| 5:4 | <p>Port Configuration for Station 2 Port Configuration Link width, per Port, for Station 2. The serial EEPROM bit values always override the STRAP_STN2_PORTCFG1 Strapping input (if the serial EEPROM values are loaded; refer to Table 12-39).</p> <p>This register is reset only by a Fundamental Reset (PEX_PERST# assertion).</p> <p>STRAP_STN2_PORTCFG1 controls the Bit 5 value. Bit 4 value must be 0.</p> <p>00b = x4, x4 10b = x8 All other encodings are <i>reserved</i>.</p> | RO | Yes | Set by STRAP_STN2_PORTCFG1 input level |
| 7:6 | <i>Reserved</i> | RsvdP | No | 00b |
| 19:8 | <i>Factory Test Only</i> | RO | Yes | 0-0h |
| 23:20 | <p>Native x2 for Station 0 Initializes with serial EEPROM (if present).</p> | RO | Yes | 0h |
| 27:24 | <p>Native x2 for Station 1 Initializes with serial EEPROM (if present).</p> | RO | Yes | 0h |
| 31:28 | <p>Native x2 for Station 2 Initializes with serial EEPROM (if present).</p> | RO | Yes | 0h |

Table 12-39. Port Configurations

| Port Configuration Strapping STRAP_STN0_PORTCFG1, STRAP_RESERVED4 | Port Configuration Register Value Port 0, Offset 574h[23:20, 1:0] | Station 0 Link Width/Port | | |
|---|--|---------------------------|--------|--------|
| | | Port 0 | Port 1 | – |
| 0, 0 | 0h, 00b | x4 | x4 | |
| 1, 0 | 0h, 10b | x8 | | |
| Port Configuration Strapping STRAP_RESERVED7, STRAP_STN1_PORTCFG0 | Port Configuration Register Value Port 0, Offset 574h[27:24, 3:2] | Station 1 Link Width/Port | | |
| | | Port 4 | Port 5 | Port 6 |
| 1, 0 | 0h, 10b | <i>Software Only</i> | x8 | |
| 1, 1 | 0h, 11b | <i>Software Only</i> | x4 | x4 |
| Port Configuration Strapping STRAP_STN2_PORTCFG1, STRAP_RESERVED8 | Port Configuration Register Value Port 0, Offset 574h[31:28, 5:4] | Station 1 Link Width/Port | | |
| | | Port 8 | Port 9 | – |
| 0, 0 | 0h, 00b | x4 | x4 | |
| 1, 0 | 0h, 10b | x8 | | |

12.16.2 Device-Specific Registers – General-Purpose Input/Output (Offsets 62Ch – 65Ch)

This section details the Device-Specific General-Purpose Input/Output (GPIO) Configuration, Status, and Control registers. Table 12-40 defines the register map.

Table 12-40. Device-Specific GPIO Register Map (Only Port 0, and also NT Port Virtual Interface if Port 0 is the NT Port)

| 31 30 29 28 27 26 25 24 23 22 21 20 19 18 17 16 | 15 14 13 12 11 10 9 8 7 6 5 4 3 2 1 0 | |
|---|---------------------------------------|-------------|
| GPIO 0_9 Direction Control | | 62Ch |
| GPIO 10_19 Direction Control | | 630h |
| <i>Reserved</i> | | 634h |
| GPIO 0_19 Input De-Bounce | | 638h |
| GPIO 0_11 Input Data | | 63Ch |
| <i>Reserved</i> | | 640h |
| GPIO 0_11 Output Data | | 644h |
| <i>Reserved</i> | | 648h |
| GPIO 0_19 Interrupt Polarity | | 64Ch |
| GPIO 0_19 Interrupt Status | | 650h |
| GPIO 0_19 Interrupt Mask | | 654h |
| <i>Factory Test Only</i> | | 658h – 65Ch |

Register 12-190. 62Ch GPIO 0_9 Direction Control (Only Port 0, and also NT Port Virtual Interface if Port 0 is the NT Port)

| Bit(s) | Description | Type | Serial EEPROM and I ² C | Default |
|--------|--|------|------------------------------------|---|
| 1:0 | <p>PEX_PORT_GOOD0# Source/Destination</p> <p>As Input: 00b = To PEX_PORT_GOOD0# Input Data register (offset 63Ch[0]) 01b = General interrupt (INTx, MSI, or PEX_INTA#) 10b, 11b = <i>Reserved</i></p> <p>As Output: 00b = From PEX_PORT_GOOD0# Output Data register (offset 644h[0]) 01b = PEX_PORT_GOOD0# 10b, 11b = <i>Reserved</i></p> | RWS | Yes | <p>Default is 01b when STRAP_TESTMODE[3:0] = 1011b or 1101b, and the Port is enabled</p> <p>Otherwise, default is 00b</p> |
| 2 | <p>PEX_PORT_GOOD0# Direction Control</p> <p>0 = Input 1 = Output</p> | RWS | Yes | <p>Default is 1 when STRAP_TESTMODE[3:0] = 1011b or 1101b, and the Port is enabled</p> <p>Otherwise, default is 0</p> |
| 4:3 | <p>PEX_PORT_GOOD1# Source/Destination</p> <p>As Input: 00b = To PEX_PORT_GOOD1# Input Data register (offset 63Ch[1]) 01b = General interrupt (INTx, MSI, or PEX_INTA#) 10b, 11b = <i>Reserved</i></p> <p>As Output: 00b = From PEX_PORT_GOOD1# Output Data register (offset 644h[1]) 01b = PEX_PORT_GOOD1# 10b, 11b = <i>Reserved</i></p> | RWS | Yes | <p>Default is 01b when STRAP_TESTMODE[3:0] = 1011b or 1101b, and the Port is enabled</p> <p>Otherwise, default is 00b</p> |
| 5 | <p>PEX_PORT_GOOD1# Direction Control</p> <p>0 = Input 1 = Output</p> | RWS | Yes | <p>Default is 1 when STRAP_TESTMODE[3:0] = 1011b or 1101b, and the Port is enabled</p> <p>Otherwise, default is 0</p> |

Register 12-190. 62Ch GPIO 0_9 Direction Control (Only Port 0, and also NT Port Virtual Interface if Port 0 is the NT Port) (Cont.)

| Bit(s) | Description | Type | Serial EEPROM and I ² C | Default |
|--------|---|------|------------------------------------|---------|
| 7:6 | GPIO2 Source/Destination As Input: 00b = To GPIO2 Input Data register (offset 63Ch[2]) 01b = General interrupt (INTx, MSI, or PEX_INTA#) 10b, 11b = <i>Reserved</i> As Output: 00b = From GPIO2 Output Data register (offset 644h[2]) 01b, 10b, 11b = <i>Reserved</i> | RWS | Yes | 00b |
| 8 | GPIO2 Direction Control 0 = Input 1 = Output | RWS | Yes | 0 |
| 10:9 | GPIO3 Source/Destination As Input: 00b = To GPIO3 Input Data register (offset 63Ch[3]) 01b = General interrupt (INTx, MSI, or PEX_INTA#) 10b, 11b = <i>Reserved</i> As Output: 00b = From GPIO3 Output Data register (offset 644h[3]) 01b, 10b, 11b = <i>Reserved</i> | RWS | Yes | 00b |
| 11 | GPIO3 Direction Control 0 = Input 1 = Output | RWS | Yes | 0 |

Register 12-190. 62Ch GPIO 0_9 Direction Control (Only Port 0, and also NT Port Virtual Interface if Port 0 is the NT Port) (Cont.)

| Bit(s) | Description | Type | Serial EEPROM and I ² C | Default |
|--------|---|------|------------------------------------|--|
| 13:12 | GPIO4 Source/Destination As Input: 00b = To GPIO4 Input Data register (offset 63Ch[4]) 01b = General interrupt (INTx, MSI, or PEX_INTA#) 10b, 11b = <i>Reserved</i> As Output: 00b = From GPIO4 Output Data register (offset 644h[4]) 01b, 10b, 11b = <i>Reserved</i> | RWS | Yes | 00b |
| 14 | GPIO4 Direction Control 0 = Input 1 = Output | RWS | Yes | 0 |
| 16:15 | PEX_PORT_GOOD5# Source/Destination As Input: 00b = To PEX_PORT_GOOD5# Input Data register (offset 63Ch[5]) 01b = General interrupt (INTx, MSI, or PEX_INTA#) 10b, 11b = <i>Reserved</i> As Output: 00b = From PEX_PORT_GOOD5# Output Data register (offset 644h[5]) 01b = PEX_PORT_GOOD5# 10b, 11b = <i>Reserved</i> | RWS | Yes | Default is 01b when STRAP_TESTMODE[3:0] = 1011b or 1101b, and the Port is enabled Otherwise, default is 00b |
| 17 | PEX_PORT_GOOD5# Direction Control 0 = Input 1 = Output | RWS | Yes | Default is 1 when STRAP_TESTMODE[3:0] = 1011b or 1101b, and the Port is enabled Otherwise, default is 0 |

Register 12-190. 62Ch GPIO 0_9 Direction Control (Only Port 0, and also NT Port Virtual Interface if Port 0 is the NT Port) (Cont.)

| Bit(s) | Description | Type | Serial EEPROM and I ² C | Default |
|--------|---|------|------------------------------------|--|
| 19:18 | PEX_PORT_GOOD6# Source/Destination As Input: 00b = To PEX_PORT_GOOD6# Input Data register (offset 63Ch[6]) 01b = General interrupt (INTx, MSI, or PEX_INTA#) 10b, 11b = <i>Reserved</i> As Output: 00b = From PEX_PORT_GOOD6# Output Data register (offset 644h[6]) 01b = PEX_PORT_GOOD6# 10b, 11b = <i>Reserved</i> | RWS | Yes | Default is 01b when STRAP_TESTMODE[3:0] = 1011b or 1101b, and the Port is enabled Otherwise, default is 00b |
| 20 | PEX_PORT_GOOD6# Direction Control 0 = Input 1 = Output | RWS | Yes | Default is 1 when STRAP_TESTMODE[3:0] = 1011b or 1101b, and the Port is enabled Otherwise, default is 0 |
| 22:21 | GPIO7 Source/Destination As Input: 00b = To GPIO7 Input Data register (offset 63Ch[7]) 01b = General interrupt (INTx, MSI, or PEX_INTA#) 10b, 11b = <i>Reserved</i> As Output: 00b = From GPIO7 Output Data register (offset 644h[7]) 01b, 10b, 11b = <i>Reserved</i> | RWS | Yes | 00b |
| 23 | GPIO7 Direction Control 0 = Input 1 = Output | RWS | Yes | 0 |

Register 12-190. 62Ch GPIO 0_9 Direction Control (Only Port 0, and also NT Port Virtual Interface if Port 0 is the NT Port) (Cont.)

| Bit(s) | Description | Type | Serial EEPROM and I ² C | Default |
|--------|--|-------|------------------------------------|---|
| 25:24 | <p>PEX_PORT_GOOD8# Source/Destination</p> <p>As Input: 00b = To PEX_PORT_GOOD8# Input Data register (offset 63Ch[8]) 01b = General interrupt (INTx, MSI, or PEX_INTA#) 10b, 11b = <i>Reserved</i></p> <p>As Output: 00b = From PEX_PORT_GOOD8# Output Data register (offset 644h[8]) 01b = PEX_PORT_GOOD8# 10b, 11b = <i>Reserved</i></p> | RWS | Yes | <p>Default is 01b when STRAP_TESTMODE[3:0] = 1011b or 1101b, and the Port is enabled</p> <p>Otherwise, default is 00b</p> |
| 26 | <p>PEX_PORT_GOOD8# Direction Control</p> <p>0 = Input 1 = Output</p> | RWS | Yes | <p>Default is 1 when STRAP_TESTMODE[3:0] = 1011b or 1101b, and the Port is enabled</p> <p>Otherwise, default is 0</p> |
| 28:27 | <p>PEX_PORT_GOOD9# Source/Destination</p> <p>As Input: 00b = To PEX_PORT_GOOD9# Input Data register (offset 63Ch[9]) 01b = General interrupt (INTx, MSI, or PEX_INTA#) 10b, 11b = <i>Reserved</i></p> <p>As Output: 00b = From PEX_PORT_GOOD9# Output Data register (offset 644h[9]) 01b = PEX_PORT_GOOD9# 10b, 11b = <i>Reserved</i></p> | RWS | Yes | <p>Default is 01b when STRAP_TESTMODE[3:0] = 1011b or 1101b, and the Port is enabled</p> <p>Otherwise, default is 00b</p> |
| 29 | <p>PEX_PORT_GOOD9# Direction Control</p> <p>0 = Input 1 = Output</p> | RWS | Yes | <p>Default is 1 when STRAP_TESTMODE[3:0] = 1011b or 1101b, and the Port is enabled</p> <p>Otherwise, default is 0</p> |
| 31:30 | <i>Reserved</i> | RsvdP | No | 00b |

Register 12-191. 630h GPIO 10_19 Direction Control (Only Port 0, and also NT Port Virtual Interface if Port 0 is the NT Port)

| Bit(s) | Description | Type | Serial EEPROM and I ² C | Default |
|--------|--|------|------------------------------------|---|
| 1:0 | GPIO10 Source/Destination As Input: 00b = To GPIO10 Input Data register (offset 63Ch[10]) 01b = General interrupt (INTx, MSI, or PEX_INTA#) 10b, 11b = <i>Reserved</i> As Output: 00b = From GPIO10 Output Data register (offset 644h[10]) 01b, 10b, 11b = <i>Reserved</i> | RWS | Yes | 00b |
| 2 | GPIO10 Direction Control 0 = Input 1 = Output | RWS | Yes | 0 |
| 4:3 | GPIO11 Source/Destination As Input: 00b = To GPIO11 Input Data register (offset 63Ch[11]) 01b = General interrupt (INTx, MSI, or PEX_INTA#) 10b, 11b = <i>Reserved</i> As Output: 00b = From GPIO11 Output Data register (offset 644h[11]) 01b, 10b, 11b = <i>Reserved</i> | RWS | Yes | 00b |
| 5 | GPIO11 Direction Control 0 = Input 1 = Output | RWS | Yes | 0 |
| 7:6 | GPIO12 Source/Destination As Input: 00b = To GPIO12 Input Data register (offset 640h[0]) 01b = General interrupt (INTx, MSI, or PEX_INTA#) 10b, 11b = <i>Reserved</i> As Output: 00b = From GPIO12 Output Data register (offset 648h[0]) 10b = Serial Hot Plug PERST# output 01b, 11b = <i>Reserved</i> | RWS | Yes | Default is 10b when STRAP_TESTMODE[3:0] = 1100b or 1101b Otherwise, default is 00b |
| 8 | GPIO12 Direction Control 0 = Input 1 = Output | RWS | Yes | Default is 1 when STRAP_TESTMODE[3:0] = 1100b or 1101b Otherwise, default is 0 |

Register 12-191. 630h GPIO 10_19 Direction Control (Only Port 0, and also NT Port Virtual Interface if Port 0 is the NT Port) (Cont.)

| Bit(s) | Description | Type | Serial EEPROM and I ² C | Default |
|--------|---|------|------------------------------------|--|
| 10:9 | <p>GPIO13 Source/Destination</p> <p>As Input: 00b = To GPIO13 Input Data register (offset 640h[1]) 01b = General interrupt (INTx, MSI, or PEX_INTA#) 10b, 11b = <i>Reserved</i></p> <p>As Output: 00b = From GPIO13 Output Data register (offset 648h[1]) 10b = Serial Hot Plug PERST# output 01b, 11b = <i>Reserved</i></p> | RWS | Yes | <p>Default is 10b when STRAP_TESTMODE[3:0] = 1100b or 1101b</p> <p>Otherwise, default is 00b</p> |
| 11 | <p>GPIO13 Direction Control</p> <p>0 = Input 1 = Output</p> | RWS | Yes | <p>Default is 1 when STRAP_TESTMODE[3:0] = 1100b or 1101b</p> <p>Otherwise, default is 0</p> |

Register 12-191. 630h GPIO 10_19 Direction Control (Only Port 0, and also NT Port Virtual Interface if Port 0 is the NT Port) (Cont.)

| Bit(s) | Description | Type | Serial EEPROM and I ² C | Default |
|--------|---|------|------------------------------------|--|
| 13:12 | <p>GPIO14 Source/Destination</p> <p>As Input: 00b = To GPIO14 Input Data register (offset 640h[2]) 01b = General interrupt (INTx, MSI, or PEX_INTA#) 10b, 11b = <i>Reserved</i></p> <p>As Output: 00b = From GPIO14 Output Data register (offset 648h[2]) 10b = Serial Hot Plug PERST# output 01b, 11b = <i>Reserved</i></p> | RWS | Yes | <p>Default is 10b when STRAP_TESTMODE[3:0] = 1100b or 1101b</p> <p>Otherwise, default is 00b</p> |
| 14 | <p>GPIO14 Direction Control</p> <p>0 = Input 1 = Output</p> | RWS | Yes | <p>Default is 1 when STRAP_TESTMODE[3:0] = 1100b or 1101b</p> <p>Otherwise, default is 0</p> |
| 16:15 | <p>GPIO15 Source/Destination</p> <p>As Input: 00b = To GPIO15 Input Data register (offset 640h[3]) 01b = General interrupt (INTx, MSI, or PEX_INTA#) 10b, 11b = <i>Reserved</i></p> <p>As Output: 00b = From GPIO15 Output Data register (offset 648h[3]) 10b = Serial Hot Plug PERST# output 01b, 11b = <i>Reserved</i></p> | RWS | Yes | <p>Default is 10b when STRAP_TESTMODE[3:0] = 1100b or 1101b</p> <p>Otherwise, default is 00b</p> |
| 17 | <p>GPIO15 Direction Control</p> <p>0 = Input 1 = Output</p> | RWS | Yes | <p>Default is 1 when STRAP_TESTMODE[3:0] = 1100b or 1101b</p> <p>Otherwise, default is 0</p> |
| 19:18 | <p>GPIO16 Source/Destination</p> <p>As Input: 00b = To GPIO16 Input Data register (offset 640h[4]) 01b = General interrupt (INTx, MSI, or PEX_INTA#) 10b, 11b = <i>Reserved</i></p> <p>As Output: 00b = From GPIO16 Output Data register (offset 648h[4]) 10b = Serial Hot Plug PERST# output 01b, 11b = <i>Reserved</i></p> | RWS | Yes | <p>Default is 10b when STRAP_TESTMODE[3:0] = 1100b or 1101b</p> <p>Otherwise, default is 00b</p> |

Register 12-191. 630h GPIO 10_19 Direction Control (Only Port 0, and also NT Port Virtual Interface if Port 0 is the NT Port) (Cont.)

| Bit(s) | Description | Type | Serial EEPROM and I ² C | Default |
|--------|--|------|------------------------------------|---|
| 20 | GPIO16 Direction Control 0 = Input 1 = Output | RWS | Yes | Default is 1 when STRAP_TESTMODE[3:0] = 1100b or 1101b Otherwise, default is 0 |
| 22:21 | GPIO17 Source/Destination As Input: 00b = To GPIO17 Input Data register (offset 640h[5]) 01b = General interrupt (INTx, MSI, or PEX_INTA#) 10b, 11b = <i>Reserved</i> As Output: 00b = From GPIO17 Output Data register (offset 648h[5]) 10b = Serial Hot Plug PERST# output 01b, 11b = <i>Reserved</i> | RWS | Yes | Default is 10b when STRAP_TESTMODE[3:0] = 1100b or 1101b Otherwise, default is 00b |
| 23 | GPIO17 Direction Control 0 = Input 1 = Output | RWS | Yes | Default is 1 when STRAP_TESTMODE[3:0] = 1100b or 1101b Otherwise, default is 0 |

Register 12-191. 630h GPIO 10_19 Direction Control (Only Port 0, and also NT Port Virtual Interface if Port 0 is the NT Port) (Cont.)

| Bit(s) | Description | Type | Serial EEPROM and I ² C | Default |
|--------|--|-------|------------------------------------|---|
| 25:24 | GPIO18 Source/Destination As Input: 00b = To GPIO18 Input Data register (offset 640h[6]) 01b = General interrupt (INTx, MSI, or PEX_INTA#) 10b, 11b = <i>Reserved</i> As Output: 00b = From GPIO18 Output Data register (offset 648h[6]) 10b = Serial Hot Plug PERST# output 01b, 11b = <i>Reserved</i> | RWS | Yes | Default is 10b when STRAP_TESTMODE[3:0] = 1100b or 1101b Otherwise, default is 00b |
| 26 | GPIO18 Direction Control 0 = Input 1 = Output | RWS | Yes | Default is 1 when STRAP_TESTMODE[3:0] = 1100b or 1101b Otherwise, default is 0 |
| 28:27 | GPIO19 Source/Destination As Input: 00b = To GPIO19 Input Data register (offset 640h[7]) 01b = General interrupt (INTx, MSI, or PEX_INTA#) 10b, 11b = <i>Reserved</i> As Output: 00b = From GPIO19 Output Data register (offset 648h[7]) 10b = Serial Hot Plug PERST# output 01b, 11b = <i>Reserved</i> | RWS | Yes | Default is 10b when STRAP_TESTMODE[3:0] = 1100b or 1101b Otherwise, default is 00b |
| 29 | GPIO19 Direction Control 0 = Input 1 = Output | RWS | Yes | Default is 1 when STRAP_TESTMODE[3:0] = 1100b or 1101b Otherwise, default is 0 |
| 31:30 | <i>Reserved</i> | RsvdP | No | 00b |

Register 12-192. 638h GPIO 0_19 Input De-Bounce (Only Port 0, and also NT Port Virtual Interface if Port 0 is the NT Port)

| Bit(s) | Description | Type | Serial EEPROM and I ² C | Default |
|--------|---|------|------------------------------------|---------|
| 0 | <p>PEX_PORT_GOOD0# Input De-Bounce Control Controls de-bounce when PEX_PORT_GOOD0# is configured as an input (offset 62Ch[2], is Cleared).</p> <p>0 = PEX_PORT_GOOD0# input is not de-bounced 1 = PEX_PORT_GOOD0# input is de-bounced; de-bounce time is approximately 1.3 ms</p> | RWS | Yes | 0 |
| 1 | <p>PEX_PORT_GOOD1# Input De-Bounce Control Controls de-bounce when PEX_PORT_GOOD1# is configured as an input (offset 62Ch[5], is Cleared).</p> <p>0 = PEX_PORT_GOOD1# input is not de-bounced 1 = PEX_PORT_GOOD1# input is de-bounced; de-bounce time is approximately 1.3 ms</p> | RWS | Yes | 0 |
| 2 | <p>GPIO2 Input De-Bounce Control Controls de-bounce when GPIO2 is configured as an input (offset 62Ch[8], is Cleared).</p> <p>0 = GPIO2 input is not de-bounced 1 = GPIO2 input is de-bounced; de-bounce time is approximately 1.3 ms</p> | RWS | Yes | 0 |
| 3 | <p>GPIO3 Input De-Bounce Control Controls de-bounce when GPIO3 is configured as an input (offset 62Ch[11], is Cleared).</p> <p>0 = GPIO3 input is not de-bounced 1 = GPIO3 input is de-bounced; de-bounce time is approximately 1.3 ms</p> | RWS | Yes | 0 |
| 4 | <p>GPIO4 Input De-Bounce Control Controls de-bounce when GPIO4 is configured as an input (offset 62Ch[14], is Cleared).</p> <p>0 = GPIO4 input is not de-bounced 1 = GPIO4 input is de-bounced; de-bounce time is approximately 1.3 ms</p> | RWS | Yes | 0 |
| 5 | <p>PEX_PORT_GOOD5# Input De-Bounce Control Controls de-bounce when PEX_PORT_GOOD5# is configured as an input (offset 62Ch[17], is Cleared).</p> <p>0 = PEX_PORT_GOOD5# input is not de-bounced 1 = PEX_PORT_GOOD5# input is de-bounced; de-bounce time is approximately 1.3 ms</p> | RWS | Yes | 0 |
| 6 | <p>PEX_PORT_GOOD6# Input De-Bounce Control Controls de-bounce when PEX_PORT_GOOD6# is configured as an input (offset 62Ch[20], is Cleared).</p> <p>0 = PEX_PORT_GOOD6# input is not de-bounced 1 = PEX_PORT_GOOD6# input is de-bounced; de-bounce time is approximately 1.3 ms</p> | RWS | Yes | 0 |
| 7 | <p>GPIO7 Input De-Bounce Control Controls de-bounce when GPIO7 is configured as an input (offset 62Ch[23], is Cleared).</p> <p>0 = GPIO7 input is not de-bounced 1 = GPIO7 input is de-bounced; de-bounce time is approximately 1.3 ms</p> | RWS | Yes | 0 |

Register 12-192. 638h GPIO 0_19 Input De-Bounce (Only Port 0, and also NT Port Virtual Interface if Port 0 is the NT Port) (Cont.)

| Bit(s) | Description | Type | Serial EEPROM and I ² C | Default |
|--------|---|------|------------------------------------|---------|
| 8 | <p>PEX_PORT_GOOD8# Input De-Bounce Control Controls de-bounce when PEX_PORT_GOOD8# is configured as an input (offset 62Ch[26], is Cleared).</p> <p>0 = PEX_PORT_GOOD8# input is not de-bounced 1 = PEX_PORT_GOOD8# input is de-bounced; de-bounce time is approximately 1.3 ms</p> | RWS | Yes | 0 |
| 9 | <p>PEX_PORT_GOOD9# Input De-Bounce Control Controls de-bounce when PEX_PORT_GOOD9# is configured as an input (offset 62Ch[29], is Cleared).</p> <p>0 = PEX_PORT_GOOD9# input is not de-bounced 1 = PEX_PORT_GOOD9# input is de-bounced; de-bounce time is approximately 1.3 ms</p> | RWS | Yes | 0 |
| 10 | <p>GPIO10 Input De-Bounce Control Controls de-bounce when GPIO10 is configured as an input (offset 630h[2], is Cleared).</p> <p>0 = GPIO10 input is not de-bounced 1 = GPIO10 input is de-bounced; de-bounce time is approximately 1.3 ms</p> | RWS | Yes | 0 |
| 11 | <p>GPIO11 Input De-Bounce Control Controls de-bounce when GPIO11 is configured as an input (offset 630h[5], is Cleared).</p> <p>0 = GPIO11 input is not de-bounced 1 = GPIO11 input is de-bounced; de-bounce time is approximately 1.3 ms</p> | RWS | Yes | 0 |
| 12 | <p>GPIO12 Input De-Bounce Control Controls de-bounce when GPIO12 is configured as an input (offset 630h[8], is Cleared).</p> <p>0 = GPIO12 input is not de-bounced 1 = GPIO12 input is de-bounced; de-bounce time is approximately 1.3 ms</p> | RWS | Yes | 0 |
| 13 | <p>GPIO13 Input De-Bounce Control Controls de-bounce when GPIO13 is configured as an input (offset 630h[11], is Cleared).</p> <p>0 = GPIO13 input is not de-bounced 1 = GPIO13 input is de-bounced; de-bounce time is approximately 1.3 ms</p> | RWS | Yes | 0 |
| 14 | <p>GPIO14 Input De-Bounce Control Controls de-bounce when GPIO14 is configured as an input (offset 630h[14], is Cleared).</p> <p>0 = GPIO14 input is not de-bounced 1 = GPIO14 input is de-bounced; de-bounce time is approximately 1.3 ms</p> | RWS | Yes | 0 |
| 15 | <p>GPIO15 Input De-Bounce Control Controls de-bounce when GPIO15 is configured as an input (offset 630h[17], is Cleared).</p> <p>0 = GPIO15 input is not de-bounced 1 = GPIO15 input is de-bounced; de-bounce time is approximately 1.3 ms</p> | RWS | Yes | 0 |

Register 12-192. 638h GPIO 0_19 Input De-Bounce (Only Port 0, and also NT Port Virtual Interface if Port 0 is the NT Port) (Cont.)

| Bit(s) | Description | Type | Serial EEPROM and I ² C | Default |
|--------|--|-------|------------------------------------|---------|
| 16 | GPIO16 Input De-Bounce Control Controls de-bounce when GPIO16 is configured as an input (offset 630h[20], is Cleared). 0 = GPIO16 input is not de-bounced 1 = GPIO16 input is de-bounced; de-bounce time is approximately 1.3 ms | RWS | Yes | 0 |
| 17 | GPIO17 Input De-Bounce Control Controls de-bounce when GPIO17 is configured as an input (offset 630h[23], is Cleared). 0 = GPIO17 input is not de-bounced 1 = GPIO17 input is de-bounced; de-bounce time is approximately 1.3 ms | RWS | Yes | 0 |
| 18 | GPIO18 Input De-Bounce Control Controls de-bounce when GPIO18 is configured as an input (offset 630h[26], is Cleared). 0 = GPIO18 input is not de-bounced 1 = GPIO18 input is de-bounced; de-bounce time is approximately 1.3 ms | RWS | Yes | 0 |
| 19 | GPIO19 Input De-Bounce Control Controls de-bounce when GPIO19 is configured as an input (offset 630h[29], is Cleared). 0 = GPIO19 input is not de-bounced 1 = GPIO19 input is de-bounced; de-bounce time is approximately 1.3 ms | RWS | Yes | 0 |
| 31:20 | <i>Reserved</i> | RsvdP | No | 000h |

Register 12-193. 63Ch GPIO 0_11 Input Data (Only Port 0, and also NT Port Virtual Interface if Port 0 is the NT Port)

| Bit(s) | Description | Type | Serial EEPROM and I ² C | Default |
|--------|--|------|------------------------------------|---------|
| 0 | PEX_PORT_GOOD0# Input Data If PEX_PORT_GOOD0# is configured as an output (offset 62Ch[2], is Set), Reads return 0. If PEX_PORT_GOOD0# is configured as an input (offset 62Ch[2], is Cleared), Reads return the logic value of the voltage on PEX_PORT_GOOD0#. | RO | No | 0 |
| 1 | PEX_PORT_GOOD1# Input Data If PEX_PORT_GOOD1# is configured as an output (offset 62Ch[5], is Set), Reads return 0. If PEX_PORT_GOOD1# is configured as an input (offset 62Ch[5], is Cleared), Reads return the logic value of the voltage on PEX_PORT_GOOD1#. | RO | No | 0 |
| 2 | GPIO2 Input Data If GPIO2 is configured as an output (offset 62Ch[8], is Set), Reads return 0. If GPIO2 is configured as an input (offset 62Ch[8], is Cleared), Reads return the logic value of the voltage on GPIO2. | RO | No | 0 |
| 3 | GPIO3 Input Data If GPIO3 is configured as an output (offset 62Ch[11], is Set), Reads return 0. If GPIO3 is configured as an input (offset 62Ch[11], is Cleared), Reads return the logic value of the voltage on GPIO3. | RO | No | 0 |
| 4 | GPIO4 Input Data If GPIO4 is configured as an output (offset 62Ch[14], is Set), Reads return 0. If GPIO is configured as an input (offset 62Ch[14], is Cleared), Reads return the logic value of the voltage on GPIO. | RO | No | 0 |
| 5 | PEX_PORT_GOOD5# Input Data If PEX_PORT_GOOD5# is configured as an output (offset 62Ch[17], is Set), Reads return 0. If PEX_PORT_GOOD5# is configured as an input (offset 62Ch[17], is Cleared), Reads return the logic value of the voltage on PEX_PORT_GOOD5#. | RO | No | 0 |
| 6 | PEX_PORT_GOOD6# Input Data If PEX_PORT_GOOD6# is configured as an output (offset 62Ch[20], is Set), Reads return 0. If PEX_PORT_GOOD6# is configured as an input (offset 62Ch[20], is Cleared), Reads return the logic value of the voltage on PEX_PORT_GOOD6#. | RO | No | 0 |
| 7 | GPIO7 Input Data If GPIO7 is configured as an output (offset 62Ch[23], is Set), Reads return 0. If GPIO7 is configured as an input (offset 62Ch[23], is Cleared), Reads return the logic value of the voltage on GPIO7. | RO | No | 0 |

Register 12-193. 63Ch GPIO 0_11 Input Data (Only Port 0, and also NT Port Virtual Interface if Port 0 is the NT Port) (Cont.)

| Bit(s) | Description | Type | Serial EEPROM and I ² C | Default |
|--------|--|-------|------------------------------------|---------|
| 8 | PEX_PORT_GOOD8# Input Data If PEX_PORT_GOOD8# is configured as an output (offset 62Ch[26], is Set), Reads return 0. If PEX_PORT_GOOD8# is configured as an input (offset 62Ch[26], is Cleared), Reads return the logic value of the voltage on PEX_PORT_GOOD8#. | RO | No | 0 |
| 9 | PEX_PORT_GOOD9# Input Data If PEX_PORT_GOOD9# is configured as an output (offset 62Ch[29], is Set), Reads return 0. If PEX_PORT_GOOD9# is configured as an input (offset 62Ch[29], is Cleared), Reads return the logic value of the voltage on PEX_PORT_GOOD9#. | RO | No | 0 |
| 10 | GPIO10 Input Data If GPIO10 is configured as an output (offset 630h[2], is Set), Reads return 0. If GPIO10 is configured as an input (offset 630h[2], is Cleared), Reads return the logic value of the voltage on GPIO10. | RO | No | 0 |
| 11 | GPIO11 Input Data If GPIO11 is configured as an output (offset 630h[5], is Set), Reads return 0. If GPIO11 is configured as an input (offset 630h[5], is Cleared), Reads return the logic value of the voltage on GPIO11. | RO | No | 0 |
| 31:12 | <i>Reserved</i> | RsvdP | No | 0000_0h |

Register 12-194. 640h GPIO 12_19 Input Data (Only Port 0, and also NT Port Virtual Interface if Port 0 is the NT Port)

| Bit(s) | Description | Type | Serial EEPROM and I ² C | Default |
|--------|--|-------|------------------------------------|---------|
| 0 | GPIO12 Input Data If GPIO12 is configured as an output (offset 630h[8], is Set), Reads return 0. If GPIO12 is configured as an input (offset 630h[8], is Cleared), Reads return the logic value of the voltage on GPIO12. | RO | No | 0 |
| 1 | GPIO13 Input Data If GPIO13 is configured as an output (offset 630h[11], is Set), Reads return 0. If GPIO13 is configured as an input (offset 630h[11], is Cleared), Reads return the logic value of the voltage on GPIO13. | RO | No | 0 |
| 2 | GPIO14 Input Data If GPIO14 is configured as an output (offset 630h[14], is Set), Reads return 0. If GPIO14 is configured as an input (offset 630h[14], is Cleared), Reads return the logic value of the voltage on GPIO14. | RO | No | 0 |
| 3 | GPIO15 Input Data If GPIO15 is configured as an output (offset 630h[17], is Set), Reads return 0. If GPIO15 is configured as an input (offset 630h[17], is Cleared), Reads return the logic value of the voltage on GPIO15. | RO | No | 0 |
| 4 | GPIO16 Input Data If GPIO16 is configured as an output (offset 630h[20], is Set), Reads return 0. If GPIO16 is configured as an input (offset 630h[20], is Cleared), Reads return the logic value of the voltage on GPIO16. | RO | No | 0 |
| 5 | GPIO17 Input Data If GPIO17 is configured as an output (offset 630h[23], is Set), Reads return 0. If GPIO17 is configured as an input (offset 630h[23], is Cleared), Reads return the logic value of the voltage on GPIO17. | RO | No | 0 |
| 6 | GPIO18 Input Data If GPIO18 is configured as an output (offset 630h[26], is Set), Reads return 0. If GPIO18 is configured as an input (offset 630h[26], is Cleared), Reads return the logic value of the voltage on GPIO18. | RO | No | 0 |
| 7 | GPIO19 Input Data If GPIO19 is configured as an output (offset 630h[29], is Set), Reads return 0. If GPIO19 is configured as an input (offset 630h[29], is Cleared), Reads return the logic value of the voltage on GPIO19. | RO | No | 0 |
| 31:8 | <i>Reserved</i> | RsvdP | No | 0-0h |

Register 12-195. 644h GPIO 0_11 Output Data (Only Port 0, and also NT Port Virtual Interface if Port 0 is the NT Port)

| Bit(s) | Description | Type | Serial EEPROM and I ² C | Default |
|--------|---|-------|------------------------------------|---------|
| 0 | PEX_PORT_GOOD0# Output Data If PEX_PORT_GOOD0# is configured as an output (offset 62Ch[2], is Set), the value written to this bit is immediately driven to the PEX_PORT_GOOD0# output. | RWS | Yes | 0 |
| 1 | PEX_PORT_GOOD1# Output Data If PEX_PORT_GOOD1# is configured as an output (offset 62Ch[5], is Set), the value written to this bit is immediately driven to the PEX_PORT_GOOD1# output. | RWS | Yes | 0 |
| 2 | GPIO2 Output Data If GPIO2 is configured as an output (offset 62Ch[8], is Set), the value written to this bit is immediately driven to the GPIO2 output. | RWS | Yes | 0 |
| 3 | GPIO3 Output Data If GPIO3 is configured as an output (offset 62Ch[11], is Set), the value written to this bit is immediately driven to the GPIO3 output. | RWS | Yes | 0 |
| 4 | GPIO4 Output Data If GPIO4 is configured as an output (offset 62Ch[14], is Set), the value written to this bit is immediately driven to the GPIO4 output. | RWS | Yes | 0 |
| 5 | PEX_PORT_GOOD5# Output Data If PEX_PORT_GOOD5# is configured as an output (offset 62Ch[17], is Set), the value written to this bit is immediately driven to the PEX_PORT_GOOD5# output. | RWS | Yes | 0 |
| 6 | PEX_PORT_GOOD6# Output Data If PEX_PORT_GOOD6# is configured as an output (offset 62Ch[20], is Set), the value written to this bit is immediately driven to the PEX_PORT_GOOD6# output. | RWS | Yes | 0 |
| 7 | GPIO7 Output Data If GPIO7 is configured as an output (offset 62Ch[23], is Set), the value written to this bit is immediately driven to the GPIO7 output. | RWS | Yes | 0 |
| 8 | PEX_PORT_GOOD8# Output Data If PEX_PORT_GOOD8# is configured as an output (offset 62Ch[26], is Set), the value written to this bit is immediately driven to the PEX_PORT_GOOD8# output. | RWS | Yes | 0 |
| 9 | PEX_PORT_GOOD9# Output Data If PEX_PORT_GOOD9# is configured as an output (offset 62Ch[29], is Set), the value written to this bit is immediately driven to the PEX_PORT_GOOD9# output. | RWS | Yes | 0 |
| 10 | GPIO10 Output Data If GPIO10 is configured as an output (offset 630h[2], is Set), the value written to this bit is immediately driven to the GPIO10 output. | RWS | Yes | 0 |
| 11 | GPIO11 Output Data If GPIO11 is configured as an output (offset 630h[5], is Set), the value written to this bit is immediately driven to the GPIO11 output. | RWS | Yes | 0 |
| 31:12 | <i>Reserved</i> | RsvdP | No | 0000_0h |

Register 12-196. 648h GPIO 12_19 Output Data (Only Port 0, and also NT Port Virtual Interface if Port 0 is the NT Port)

| Bit(s) | Description | Type | Serial EEPROM and I ² C | Default |
|--------|--|-------|------------------------------------|---------|
| 0 | GPIO12 Output Data If GPIO12 is configured as an output (offset 630h[8], is Set), the value written to this bit is immediately driven to the GPIO12 output. | RWS | Yes | 0 |
| 1 | GPIO13 Output Data If GPIO13 is configured as an output (offset 630h[11], is Set), the value written to this bit is immediately driven to the GPIO13 output. | RWS | Yes | 0 |
| 2 | GPIO14 Output Data If GPIO14 is configured as an output (offset 630h[14], is Set), the value written to this bit is immediately driven to the GPIO14 output. | RWS | Yes | 0 |
| 3 | GPIO15 Output Data If GPIO15 is configured as an output (offset 630h[17], is Set), the value written to this bit is immediately driven to the GPIO15 output. | RWS | Yes | 0 |
| 4 | GPIO16 Output Data If GPIO16 is configured as an output (offset 630h[20], is Set), the value written to this bit is immediately driven to the GPIO16 output. | RWS | Yes | 0 |
| 5 | GPIO17 Output Data If GPIO17 is configured as an output (offset 630h[23], is Set), the value written to this bit is immediately driven to the GPIO17 output. | RWS | Yes | 0 |
| 6 | GPIO18 Output Data If GPIO18 is configured as an output (offset 630h[26], is Set), the value written to this bit is immediately driven to the GPIO18 output. | RWS | Yes | 0 |
| 7 | GPIO19 Output Data If GPIO19 is configured as an output (offset 630h[29], is Set), the value written to this bit is immediately driven to the GPIO19 output. | RWS | Yes | 0 |
| 31:8 | <i>Reserved</i> | RsvdP | No | 0-0h |

Register 12-197. 64Ch GPIO 0_19 Interrupt Polarity (Only Port 0, and also NT Port Virtual Interface if Port 0 is the NT Port)

| Bit(s) | Description | Type | Serial EEPROM and I ² C | Default |
|--------|---|-------|------------------------------------|---------|
| 19:0 | GPIO Interrupt Polarity Controls whether GPIO Interrupt input is Active-Low or Active-High for the corresponding PEX_PORT_GOODx# or GPIOx signal. Refer to Table 12-41 for the PEX_PORT_GOODx# and GPIOx signal relationship. 0 = GPIO Interrupt input is Active-Low 1 = GPIO Interrupt input is Active-High | RWS | Yes | 0_0000h |
| 31:20 | <i>Reserved</i> | RsvdP | No | 000h |

Register 12-198. 650h GPIO 0_19 Interrupt Status (Only Port 0, and also NT Port Virtual Interface if Port 0 is the NT Port)

| Bit(s) | Description | Type | Serial EEPROM and I ² C | Default |
|--------|--|-------|------------------------------------|---------|
| 19:0 | GPIO Interrupt Status Indicates whether GPIO interrupts are inactive or active for the corresponding PEX_PORT_GOODx# or GPIOx signal. Refer to Table 12-41 for the PEX_PORT_GOODx# and GPIOx signal relationship. 0 = GPIO interrupt is inactive 1 = GPIO interrupt is active | RO | No | 0_0000h |
| 31:20 | <i>Reserved</i> | RsvdP | No | 000h |

Register 12-199. 654h GPIO 0_19 Interrupt Mask (Only Port 0, and also NT Port Virtual Interface if Port 0 is the NT Port)

| Bit(s) | Description | Type | Serial EEPROM and I ² C | Default |
|--------|--|-------|------------------------------------|---------|
| 19:0 | GPIO Interrupt Mask Indicates whether GPIO interrupts are masked or not masked for the corresponding PEX_PORT_GOODx# or GPIOx signal. Refer to Table 12-41 for the PEX_PORT_GOODx# and GPIOx signal relationship. 0 = GPIO interrupt is not masked 1 = GPIO interrupt is masked | RWS | Yes | 0_0000h |
| 31:20 | <i>Reserved</i> | RsvdP | No | 000h |

Table 12-41. Bit to PEX_PORT_GOODx# and GPIOx Signal Relationship, for Register Offsets 64Ch, 650h, and 654h

| Bit | Controls Signal |
|-----|-----------------|
| 0 | PEX_PORT_GOOD0# |
| 1 | PEX_PORT_GOOD1# |
| 2 | GPIO2 |
| 3 | GPIO3 |
| 4 | GPIO4 |
| 5 | PEX_PORT_GOOD5# |
| 6 | PEX_PORT_GOOD6# |
| 7 | GPIO7 |
| 8 | PEX_PORT_GOOD8# |
| 9 | PEX_PORT_GOOD9# |
| 10 | GPIO10 |
| 11 | GPIO11 |
| 12 | GPIO12 |
| 13 | GPIO13 |
| 14 | GPIO14 |
| 15 | GPIO15 |
| 16 | GPIO16 |
| 17 | GPIO17 |
| 18 | GPIO18 |
| 19 | GPIO19 |

12.16.3 Device-Specific Registers – Ingress Control and Port Enable (Offsets 660h – 67Ch)

This section details the Device-Specific Ingress Control and Port Enable registers, which also include the **Negotiated Link Width**, and **Port Cut-Thru Enable Status** registers. [Table 12-42](#) defines the register map.

Table 12-42. Device-Specific Ingress Control and Port Enable Register Map^{a b}

| 31 30 29 28 27 26 25 24 23 22 21 20 19 18 17 16 | 15 14 13 12 11 10 9 8 7 6 5 4 3 2 1 0 | |
|---|---------------------------------------|------|
| Ingress Control | | 660h |
| Ingress Control Shadow | | 664h |
| Port Enable Status | | 668h |
| Negotiated Link Width for Ports 0, 1, 5, 6 | | 66Ch |
| <i>Reserved</i> | <i>Factory Test Only</i> | 670h |
| Port Cut-Thru Enable Status | | 674h |
| <i>Factory Test Only</i> | | 678h |
| <i>Reserved</i> | | 67Ch |

- a. Some registers in this structure are available in both the NT Port Virtual and Link Interfaces; others are available only in the NT Port Virtual Interface. Refer to the individual registers for details.
- b. Register offset 674h is available in all Ports.

Register 12-200. 660h Ingress Control (Only Ports 0, 4, and 8, and also NT Port Virtual Interface if Port 0 is the NT Port)

| Bit(s) | Description | Type | Serial EEPROM and I ² C | Default |
|--------|--|------|------------------------------------|---------|
| 22:0 | <i>Factory Test Only</i> | RWS | Yes | 0-0h |
| 23 | Expansion ROM Virtual Side 0 = Expansion ROM is located on the NT Port Link Interface 1 = Expansion ROM is located on the NT Port Virtual Interface | RWS | Yes | 0 |
| 25:24 | <i>Factory Test Only</i> | RWS | Yes | 00b |
| 26 | Disable Upstream Port BAR0 and BAR1 Valid for the NT Port if the upstream Port is in Station 0. 0 = Enables the upstream Port Base Address 0 and Base Address 1 registers (BAR0 and BAR1 , Upstream Port, offsets 10h and 14h, respectively) 1 = Disables the upstream Port BAR0 and BAR1 | RWS | Yes | 0 |
| 27 | <i>Not used</i> | RWS | Yes | 0 |
| 28 | Disable VGA BIOS Memory Access Decoding Valid for the NT Port if the upstream Port is in Station 0. 0 = Enables the Bridge Control register <i>VGA 16-Bit Decode Enable</i> , <i>VGA Enable</i> , and <i>ISA Enable</i> bits (offset 3Ch[20:18], respectively), and enables decoding of the PC ROM shadow addresses C_0000h to C_FFFFh (packets destined to these addresses are blocked) 1 = Disables the Bridge Control register <i>VGA 16-Bit Decode Enable</i> , <i>VGA Enable</i> , and <i>ISA Enable</i> bits (offset 3Ch[20:18], respectively), and disables decoding of the PC ROM shadow addresses C_0000h to C_FFFFh (packets destined to these addresses are <i>not</i> blocked) | RWS | Yes | 1 |
| 30:29 | <i>Factory Test Only</i> | RWS | Yes | 00b |
| 31 | <i>Not used</i> | RWS | Yes | 0 |

Register 12-201. 664h Ingress Control Shadow (Only Ports 0, 4, and 8, and also NT Port Virtual Interface if Port 0 is the NT Port)

| Bit(s) | Description | Type | Serial EEPROM and I ² C | Default |
|--------|---|-------|------------------------------------|---------|
| 0 | <i>Reserved</i> | RsvdP | No | 0 |
| 1 | Use Serial EEPROM Values for Ingress Credit Initialization Allow Configuration with a Device Number that is not 0, that is accessing downstream devices, to be forwarded. When the Device Number is 0, the Configuration terminates in a UR. 0 = Use default values for ingress credit initialization 1 = Use serial EEPROM values for ingress credit initialization | RWS | Yes | 0 |
| 3:2 | Factory Test Only | RWS | Yes | 00b |
| 4 | Drop EP TLPs Drop Endpoint TLPs. 1 = Endpoint TLP was dropped | RWS | Yes | 0 |
| 5 | No Special Treatment for Relaxed Ordering Traffic The PEX 8624 supports Relaxed Ordering for Completions. By default, if the RO attribute is Set within a Completion, then that Completion can bypass Posted transactions, if Posted TLPs are blocked at the egress Port (due to insufficient Posted credits from the connected device). This behavior can be disabled by Setting this bit, in each Station. 1 = Device-Specific Relaxed Ordering Completion will not be flagged to the egress block | RWS | Yes | 0 |
| 7:6 | Factory Test Only | RWS | Yes | 00b |
| 8 | Drop ECRC TLPs Drop End-to-end Cyclic Redundancy Check (ECRC) TLPs. 1 = ECRC TLP was dropped | RWS | Yes | 0 |
| 10:9 | ACK TLP Counter Timeout Sets the number of ingress TLP Acknowledges (ACKs) pending, which causes a high-priority ACK to be sent. 00b = 16 TLPs 01b = 8 TLPs 10b = 4 TLPs 11b = Feature is disabled | RWS | Yes | 00b |
| 14:11 | Factory Test Only | RWS | Yes | 0-0h |
| 15 | INCH Credit Reserve Flag A transition from 0 to 1 indicates that I ² C has finished with all CSR to INCH Initialization registers, and credit reservation can proceed. | RWS | Yes | 0 |

Register 12-201. 664h Ingress Control Shadow (Only Ports 0, 4, and 8, and also NT Port Virtual Interface if Port 0 is the NT Port) (Cont.)

| Bit(s) | Description | Type | Serial EEPROM and I ² C | Default |
|--------|--|------|------------------------------------|---------|
| 19:16 | <i>Factory Test Only</i> | RWS | Yes | 0h |
| 20 | Ingress MWr32 Counter Disable 0 = Enables Ingress Memory Write 32-Bit Counter 1 = Disables Ingress Memory Write 32-Bit Counter | RWS | Yes | 0 |
| 21 | Ingress MWr64 Counter Disable 0 = Enables Ingress Memory Write 64-Bit Counter 1 = Disables Ingress Memory Write 64-Bit Counter | RWS | Yes | 0 |
| 22 | Ingress MSG Counter Disable 0 = Enables Ingress Message Counter 1 = Disables Ingress Message Counter | RWS | Yes | 0 |
| 23 | Ingress MRd32 Counter Disable 0 = Enables Ingress Memory Read 32-Bit Counter 1 = Disables Ingress Memory Read 32-Bit Counter | RWS | Yes | 0 |
| 24 | Ingress MRd64 Counter Disable 0 = Enables Ingress Memory Read 64-Bit Counter 1 = Disables Ingress Memory Read 64-Bit Counter | RWS | Yes | 0 |
| 25 | Ingress Other Non-Posted Counter Disable 0 = Enables Ingress Other Non-Posted Counter 1 = Disables Ingress Other Non-Posted Counter | RWS | Yes | 0 |
| 26 | Ingress and Egress DLLP ACK Counter Disable 0 = Enables Ingress and Egress DLLP ACK Counter 1 = Disables Ingress and Egress DLLP ACK Counter | RWS | Yes | 0 |
| 27 | Ingress and Egress DLLP UpdateFC-P Counter Disable 0 = Enables Ingress and Egress DLLP UpdateFC-Posted Counter 1 = Disables Ingress and Egress DLLP UpdateFC-Posted Counter | RWS | Yes | 0 |
| 28 | Ingress and Egress DLLP UpdateFC-NP Counter Disable 0 = Enables Ingress and Egress DLLP UpdateFC-Non-Posted Counter 1 = Disables Ingress and Egress DLLP UpdateFC-Non-Posted Counter | RWS | Yes | 0 |
| 29 | Ingress and Egress DLLP UpdateFC-CPL Counter Disable 0 = Enables Ingress and Egress DLLP UpdateFC-Completion Counter 1 = Disables Ingress and Egress DLLP UpdateFC-Completion Counter | RWS | Yes | 0 |
| 31:30 | <i>Not used</i> | RWS | Yes | 00b |

Register 12-202. 668h Port Enable Status
(Only Ports 0, 4, and 8, and also NT Port if Port 0 is the NT Port)

| Bit(s) | Description | Type | Serial EEPROM and I ² C | Default |
|---|--|-------|------------------------------------|--|
| <p><i>Notes: The value of this register depends upon the Port configuration (refer to Table 12-43 for a sample mapping). Yellow-highlighted table cells indicate the default Hot Plug Port for each configuration.</i></p> <p><i>This register, in all Stations (Ports 0, 4, and 8), must be programmed to the same value, to reflect the configuration of all Ports.</i></p> | | | | |
| 0 | Port 0 Enable Status 0 = Port is disabled 1 = Port is enabled | RO | No | Set by STRAP_STN0_PORTCFG1 input level, or by serial EEPROM value for the Port Configuration register <i>Port Configuration for Station 0</i> field (Port 0, and also NT Port Virtual Interface if Port 0 is the NT Port, offset 574h[1:0]) |
| 1 | Port 1 Enable Status 0 = Port is disabled 1 = Port is enabled | RO | No | Set by STRAP_STN0_PORTCFG1 input level, or by serial EEPROM value for the Port Configuration register <i>Port Configuration for Station 0</i> field (Port 0, and also NT Port Virtual Interface if Port 0 is the NT Port, offset 574h[1:0]) |
| 4:2 | Factory Test Only | RsvdP | No | 000b |
| 5 | Port 5 Enable Status 0 = Port is disabled 1 = Port is enabled | RO | No | Set by STRAP_STN1_PORTCFG0 input level, or by serial EEPROM value for the Port Configuration register <i>Port Configuration for Station 1</i> field (Port 0, and also NT Port Virtual Interface if Port 0 is the NT Port, offset 574h[3:2]) |
| 6 | Port 6 Enable Status 0 = Port is disabled 1 = Port is enabled | RO | No | Set by STRAP_STN1_PORTCFG0 input level, or by serial EEPROM value for the Port Configuration register <i>Port Configuration for Station 1</i> field (Port 0, and also NT Port Virtual Interface if Port 0 is the NT Port, offset 574h[3:2]) |
| 7 | Factory Test Only | RsvdP | No | 0 |
| 8 | Port 8 Enable Status 0 = Port is disabled 1 = Port is enabled | RO | No | Set by STRAP_STN2_PORTCFG1 input level, or by serial EEPROM value for the Port Configuration register <i>Port Configuration for Station 2</i> field (Port 0, and also NT Port Virtual Interface if Port 0 is the NT Port, offset 574h[5:4]) |
| 9 | Port 9 Enable Status 0 = Port is disabled 1 = Port is enabled | RO | No | Set by STRAP_STN2_PORTCFG1 input level, or by serial EEPROM value for the Port Configuration register <i>Port Configuration for Station 2</i> field (Port 0, and also NT Port Virtual Interface if Port 0 is the NT Port, offset 574h[5:4]) |
| 11:10 | Factory Test Only | RsvdP | No | 00b |
| 31:12 | Reserved | RsvdP | No | 0000_0h |

Table 12-43. Port Configurations

| Port Configuration Strapping STRAP_STN0_PORTCFG1, STRAP_RESERVED4 | Port Configuration Register Value Port 0, Offset 574h[23:20, 1:0] | Station 0 Link Width/Port | | | Port Enable Status Register Value (Port 0, 4, or 8, and also NT Port if Port 0 is the NT Port, Offset 668h) |
|---|--|---------------------------|--------|----|--|
| | | Port 0 | Port 1 | – | |
| 0, 0 | 0h, 00b | x4 | x4 | | Program the upper 16 bits to FFFFh. To determine the value for the lower 16 bits, start with 0h and Set only those bit positions that correspond to the enabled Ports. Bits [15:10, 7, 4:2] must be Cleared. Program the same values into each Station Port – Ports 0, 4, and 8. |
| 1, 0 | 0h, 10b | x8 | | | |
| Port Configuration Strapping STRAP_RESERVED7, STRAP_STN1_PORTCFG0 | Port Configuration Register Value Port 0, Offset 574h[27:24, 3:2] | Station 1 Link Width/Port | | | |
| Port 4 | Port 5 | Port 6 | | | |
| 1, 0 | 0h, 10b | <i>Software Only</i> | x8 | | |
| 1, 1 | 0h, 11b | <i>Software Only</i> | x4 | x4 | |
| Port Configuration Strapping STRAP_STN2_PORTCFG1, STRAP_RESERVED8 | Port Configuration Register Value Port 0, Offset 574h[31:28, 5:4] | Station 1 Link Width/Port | | | |
| Port 8 | Port 9 | – | | | |
| 0, 0 | 0h, 00b | x4 | x4 | | |
| 1, 0 | 0h, 10b | x8 | | | |

Register 12-203. 66Ch Negotiated Link Width for Ports 0, 1, 5, 6 (Only Ports 0, 4, and 8, and also NT Port if Port 0 is the NT Port)

| Bit(s) | Description | Type | Serial EEPROM and I ² C | Default |
|--------|---|-------|------------------------------------|---------|
| 2:0 | Negotiated Link Width for Port 0 000b = x1 001b = x2 010b = x4 011b = x8 All other encodings are <i>reserved</i> . | RO | No | 000b |
| 3 | Link Speed for Port 0 0 = Negotiated Link SerDes speed is 2.5 GT/s 1 = Negotiated Link SerDes speed is 5.0 GT/s | RO | No | 0 |
| 6:4 | Negotiated Link Width for Port 1 000b = x1 001b = x2 010b = x4 All other encodings are <i>reserved</i> . | RO | No | 000b |
| 7 | Valid Negotiated Link Width for Port 1 0 = Negotiated Link SerDes speed is 2.5 GT/s 1 = Negotiated Link SerDes speed is 5.0 GT/s | RO | No | 0 |
| 15:8 | <i>Factory Test Only</i> | RsvdP | No | 00h |
| 19:16 | <i>Factory Test Only</i> | RO | No | 0h |
| 22:20 | Negotiated Link Width for Port 5 000b = x1 001b = x2 010b = x4 011b = x8 All other encodings are <i>reserved</i> . | RO | No | 000b |
| 23 | Valid Negotiated Link Width for Port 5 0 = Negotiated Link SerDes speed is 2.5 GT/s 1 = Negotiated Link SerDes speed is 5.0 GT/s | RO | No | 0 |
| 26:24 | Negotiated Link Width for Port 6 000b = x1 001b = x2 010b = x4 All other encodings are <i>reserved</i> . | RO | No | 000b |
| 27 | Valid Negotiated Link Width for Port 6 0 = Negotiated Link SerDes speed is 2.5 GT/s 1 = Negotiated Link SerDes speed is 5.0 GT/s | RO | No | 0 |
| 31:28 | <i>Factory Test Only</i> | RsvdP | No | 0h |

Register 12-204. 670h Negotiated Link Width for Ports 8, 9 (Only Ports 0, 4, and 8, and also NT Port if Port 0 is the NT Port)

| Bit(s) | Description | Type | Serial EEPROM and I ² C | Default |
|--------|---|-------|------------------------------------|---------|
| 2:0 | Negotiated Link Width for Port 8 000b = x1 001b = x2 010b = x4 011b = x8 All other encodings are <i>reserved</i> . | RO | No | 000b |
| 3 | Valid Negotiated Link Width for Port 8 0 = Negotiated Link SerDes speed is 2.5 GT/s 1 = Negotiated Link SerDes speed is 5.0 GT/s | RO | No | 0 |
| 6:4 | Negotiated Link Width for Port 9 000b = x1 001b = x2 010b = x4 All other encodings are <i>reserved</i> . | RO | No | 000b |
| 7 | Valid Negotiated Link Width for Port 9 0 = Negotiated Link SerDes speed is 2.5 GT/s 1 = Negotiated Link SerDes speed is 5.0 GT/s | RO | No | 0 |
| 15:8 | Factory Test Only | RsvdP | No | 00h |
| 31:16 | Reserved | RsvdP | No | 0000h |

Register 12-205. 674h Port Cut-Thru Enable Status (All Ports)

| Bit(s) | Description | Type | Serial EEPROM and I ² C | Default |
|--------|--|-------|------------------------------------|--|
| 0 | Port 0 Cut-Thru Enable Status Link Up status. 0 = Cut-Thru is disabled for this Port (Link is down) 1 = Cut-Thru is enabled for this Port (Link is up) | RO | No | Set by STRAP_STN0_PORTCFG1 input level, or by serial EEPROM value for the Port Configuration register <i>Port Configuration for Station 0</i> field (Port 0, and also NT Port Virtual Interface if Port 0 is the NT Port, offset 574h[1:0]) |
| 1 | Port 1 Cut-Thru Enable Status Link Up status. 0 = Cut-Thru is disabled for this Port (Link is down) 1 = Cut-Thru is enabled for this Port (Link is up) | RO | No | Set by STRAP_STN0_PORTCFG1 input level, or by serial EEPROM value for the Port Configuration register <i>Port Configuration for Station 0</i> field (Port 0, and also NT Port Virtual Interface if Port 0 is the NT Port, offset 574h[1:0]) |
| 4:2 | Factory Test Only | RsvdP | No | 000b |
| 5 | Port 5 Cut-Thru Enable Status Link Up status. 0 = Cut-Thru is disabled for this Port (Link is down) 1 = Cut-Thru is enabled for this Port (Link is up) | RO | No | Set by STRAP_STN1_PORTCFG0 input level, or by serial EEPROM value for the Port Configuration register <i>Port Configuration for Station 1</i> field (Port 0, and also NT Port Virtual Interface if Port 0 is the NT Port, offset 574h[3:2]) |
| 6 | Port 6 Cut-Thru Enable Status Link Up status. 0 = Cut-Thru is disabled for this Port (Link is down) 1 = Cut-Thru is enabled for this Port (Link is up) | RO | No | Set by STRAP_STN1_PORTCFG0 input level, or by serial EEPROM value for the Port Configuration register <i>Port Configuration for Station 1</i> field (Port 0, and also NT Port Virtual Interface if Port 0 is the NT Port, offset 574h[3:2]) |
| 7 | Factory Test Only | RsvdP | No | 0 |
| 8 | Port 8 Cut-Thru Enable Status Link Up status. 0 = Cut-Thru is disabled for this Port (Link is down) 1 = Cut-Thru is enabled for this Port (Link is up) | RO | No | Set by STRAP_STN2_PORTCFG1 input level, or by serial EEPROM value for the Port Configuration register <i>Port Configuration for Station 2</i> field (Port 0, and also NT Port Virtual Interface if Port 0 is the NT Port, offset 574h[5:4]) |
| 9 | Port 9 Cut-Thru Enable Status Link Up status. 0 = Cut-Thru is disabled for this Port (Link is down) 1 = Cut-Thru is enabled for this Port (Link is up) | RO | No | Set by STRAP_STN2_PORTCFG1 input level, or by serial EEPROM value for the Port Configuration register <i>Port Configuration for Station 2</i> field (Port 0, and also NT Port Virtual Interface if Port 0 is the NT Port, offset 574h[5:4]) |
| 11:10 | Factory Test Only | RsvdP | No | 00b |
| 31:12 | Reserved | RsvdP | No | 0000_0h |

12.16.4 Device-Specific Registers – IOCAM Base and Limit Upper 16 Bits (Offsets 680h – 6BCh)

This section details the Device-Specific IOCAM Base and Limit Upper 16-Bit registers. [Table 12-44](#) defines the register map.

Table 12-44. Device-Specific IOCAM Base and Limit Upper 16 Bits Register Map (Only Ports 0, 4, and 8, and also NT Port Virtual Interface if Port 0 is the NT Port)

| 31 30 29 28 27 26 25 24 23 22 21 20 19 18 17 16 | 15 14 13 12 11 10 9 8 7 6 5 4 3 2 1 0 | |
|---|---------------------------------------|-------------|
| IOCAM UP 0 | | 680h |
| IOCAM UP 1 | | 684h |
| <i>Factory Test Only</i> | | 688h – 68Ch |
| IOCAM UP 4 | | 690h |
| IOCAM UP 5 | | 694h |
| IOCAM UP 6 | | 698h |
| <i>Factory Test Only</i> | | 69Ch |
| IOCAM UP 8 | | 6A0h |
| IOCAM UP 9 | | 6A4h |
| <i>Factory Test Only</i> | | 6A8h – 6ACh |
| <i>Reserved</i> | | 6B0h – 6BCh |

Register 12-206. 680h IOCAM UP 0 (Only Ports 0, 4, and 8, and also NT Port Virtual Interface if Port 0 is the NT Port)

| Bit(s) | Description | Type | Serial EEPROM and I ² C | Default |
|--------|--|------|------------------------------------|---------|
| 15:0 | I/O Base Upper 16 Bits I/O Base Upper 16 bits, IOCAM Base[31:16]. | RW | Yes | 0000h |
| 31:16 | I/O Limit Upper 16 Bits I/O Limit Upper 16 bits, IOCAM Limit[31:16]. | RW | Yes | 0000h |

Register 12-207. 684h IOCAM UP 1 (Only Ports 0, 4, and 8, and also NT Port Virtual Interface if Port 0 is the NT Port)

| Bit(s) | Description | Type | Serial EEPROM and I ² C | Default |
|--------|--|------|------------------------------------|---------|
| 15:0 | I/O Base Upper 16 Bits I/O Base Upper 16 bits, IOCAM Base[31:16]. | RW | Yes | 0000h |
| 31:16 | I/O Limit Upper 16 Bits I/O Limit Upper 16 bits, IOCAM Limit[31:16]. | RW | Yes | 0000h |

**Register 12-208. 690h IOCAM UP 4 (Only Ports 0, 4, and 8,
and also NT Port Virtual Interface if Port 0 is the NT Port)**

| Bit(s) | Description | Type | Serial EEPROM and I ² C | Default |
|--------|--|------|------------------------------------|---------|
| 15:0 | I/O Base Upper 16 Bits I/O Base Upper 16 bits, IOCAM Base[31:16]. | RW | Yes | 0000h |
| 31:16 | I/O Limit Upper 16 Bits I/O Limit Upper 16 bits, IOCAM Limit[31:16]. | RW | Yes | 0000h |

**Register 12-209. 694h IOCAM UP 5 (Only Ports 0, 4, and 8,
and also NT Port Virtual Interface if Port 0 is the NT Port)**

| Bit(s) | Description | Type | Serial EEPROM and I ² C | Default |
|--------|--|------|------------------------------------|---------|
| 15:0 | I/O Base Upper 16 Bits I/O Base Upper 16 bits, IOCAM Base[31:16]. | RW | Yes | 0000h |
| 31:16 | I/O Limit Upper 16 Bits I/O Limit Upper 16 bits, IOCAM Limit[31:16]. | RW | Yes | 0000h |

**Register 12-210. 698h IOCAM UP 6 (Only Ports 0, 4, and 8,
and also NT Port Virtual Interface if Port 0 is the NT Port)**

| Bit(s) | Description | Type | Serial EEPROM and I ² C | Default |
|--------|--|------|------------------------------------|---------|
| 15:0 | I/O Base Upper 16 Bits I/O Base Upper 16 bits, IOCAM Base[31:16]. | RW | Yes | 0000h |
| 31:16 | I/O Limit Upper 16 Bits I/O Limit Upper 16 bits, IOCAM Limit[31:16]. | RW | Yes | 0000h |

Register 12-211. 6A0h IOCAM UP 8 (Only Ports 0, 4, and 8, and also NT Port Virtual Interface if Port 0 is the NT Port)

| Bit(s) | Description | Type | Serial EEPROM and I ² C | Default |
|--------|--|------|------------------------------------|---------|
| 15:0 | I/O Base Upper 16 Bits I/O Base Upper 16 bits, IOCAM Base[31:16]. | RW | Yes | 0000h |
| 31:16 | I/O Limit Upper 16 Bits I/O Limit Upper 16 bits, IOCAM Limit[31:16]. | RW | Yes | 0000h |

Register 12-212. 6A4h IOCAM UP 9 (Only Ports 0, 4, and 8, and also NT Port Virtual Interface if Port 0 is the NT Port)

| Bit(s) | Description | Type | Serial EEPROM and I ² C | Default |
|--------|--|------|------------------------------------|---------|
| 15:0 | I/O Base Upper 16 Bits I/O Base Upper 16 bits, IOCAM Base[31:16]. | RW | Yes | 0000h |
| 31:16 | I/O Limit Upper 16 Bits I/O Limit Upper 16 bits, IOCAM Limit[31:16]. | RW | Yes | 0000h |

12.16.5 Device-Specific Registers – Base Address Shadow (Offsets 6C0h – 73Ch)

This section details the Device-Specific Base Address Shadow registers, which are a shadow copy of the two Type 1 Configuration Base Address registers (**BAR0** and **BAR1**) for each Port. [Table 12-45](#) defines the register map.

Table 12-45. Device-Specific BAR Shadow Register Map (Only Ports 0, 4, and 8, and also NT Port Virtual Interface if Port 0 is the NT Port)

| 31 | 30 | 29 | 28 | 27 | 26 | 25 | 24 | 23 | 22 | 21 | 20 | 19 | 18 | 17 | 16 | 15 | 14 | 13 | 12 | 11 | 10 | 9 | 8 | 7 | 6 | 5 | 4 | 3 | 2 | 1 | 0 | |
|--------------------------|----|----|----|----|----|----|----|----|----|----|----|----|----|----|----|--------|----|----|----|----|----|---|---|---|---|---|---|------|---|---|---|--|
| BAR0 Shadow for Port 0 | | | | | | | | | | | | | | | | | | | | | | | | | | | | 6C0h | | | | |
| BAR1 Shadow for Port 0 | | | | | | | | | | | | | | | | | | | | | | | | | | | | 6C4h | | | | |
| BAR0 Shadow for Port 1 | | | | | | | | | | | | | | | | | | | | | | | | | | | | 6C8h | | | | |
| BAR1 Shadow for Port 1 | | | | | | | | | | | | | | | | | | | | | | | | | | | | 6CCh | | | | |
| <i>Factory Test Only</i> | | | | | | | | | | | | | | | | 6D0h – | | | | | | | | | | | | 6DCh | | | | |
| BAR0 Shadow for Port 4 | | | | | | | | | | | | | | | | | | | | | | | | | | | | 6E0h | | | | |
| BAR1 Shadow for Port 4 | | | | | | | | | | | | | | | | | | | | | | | | | | | | 6E4h | | | | |
| BAR0 Shadow for Port 5 | | | | | | | | | | | | | | | | | | | | | | | | | | | | 6E8h | | | | |
| BAR1 Shadow for Port 5 | | | | | | | | | | | | | | | | | | | | | | | | | | | | 6ECh | | | | |
| BAR0 Shadow for Port 6 | | | | | | | | | | | | | | | | | | | | | | | | | | | | 6F0h | | | | |
| BAR1 Shadow for Port 6 | | | | | | | | | | | | | | | | | | | | | | | | | | | | 6F4h | | | | |
| <i>Factory Test Only</i> | | | | | | | | | | | | | | | | 6F8h – | | | | | | | | | | | | 6FCh | | | | |
| BAR0 Shadow for Port 8 | | | | | | | | | | | | | | | | | | | | | | | | | | | | 700h | | | | |
| BAR1 Shadow for Port 8 | | | | | | | | | | | | | | | | | | | | | | | | | | | | 704h | | | | |
| BAR0 Shadow for Port 9 | | | | | | | | | | | | | | | | | | | | | | | | | | | | 708h | | | | |
| BAR1 Shadow for Port 9 | | | | | | | | | | | | | | | | | | | | | | | | | | | | 70Ch | | | | |
| <i>Factory Test Only</i> | | | | | | | | | | | | | | | | 710h – | | | | | | | | | | | | 71Ch | | | | |
| <i>Reserved</i> | | | | | | | | | | | | | | | | 720h – | | | | | | | | | | | | 73Ch | | | | |

Register 12-213. 6C0h BAR0 Shadow for Port 0 (Only Ports 0, 4, and 8, and also NT Port Virtual Interface if Port 0 is the NT Port)

| Bit(s) | Description | Type | Serial EEPROM and I ² C | Default |
|--------|--|-------|------------------------------------|---------|
| 0 | Memory Space Indicator 0 = Memory BAR <i>Note: Hardwired to 0.</i> | RO | No | 0 |
| 2:1 | Memory Map Type Memory Mapping for Port 0. 00b = Base Address register is 32 bits wide and can be mapped anywhere in the 32-bit Memory space 10b = Base Address register is 64 bits wide and can be mapped anywhere in the 64-bit Address space All other encodings are <i>reserved</i> . | RO | Yes | 00b |
| 3 | Prefetchable 0 = Not Prefetchable 1 = Prefetchable <i>Note: Hardwired to 0.</i> | RO | Yes | 0 |
| 16:4 | <i>Reserved</i> | RsvdP | No | 000h |
| 31:17 | Base Address 0 Shadow copy of Port 0 Base Address 0. | RW | Yes | 0000h |

Register 12-214. 6C4h BAR1 Shadow for Port 0 (Only Ports 0, 4, and 8, and also NT Port Virtual Interface if Port 0 is the NT Port)

| Bit(s) | Description | Type | Serial EEPROM and I ² C | Default |
|--------|---|-------|------------------------------------|------------|
| 31:0 | Base Address 1[63:32] When the BAR0 Shadow for Port 0 register <i>Memory Map Type</i> field (offset 6C0h[2:1]) is programmed to 10b, 64-bit mode is enabled and this register becomes a Shadow copy of Port 0 Base Address 1[63:32]. | RW | Yes | 0000_0000h |
| | <i>Reserved</i> when the BAR0 Shadow for Port 0 register <i>Memory Map Type</i> field (offset 6C0h[2:1]) is not programmed to 10b. | RsvdP | Yes | 0000_0000h |

Register 12-215. 6C8h BAR0 Shadow for Port 1 (Only Ports 0, 4, and 8, and also NT Port Virtual Interface if Port 0 is the NT Port)

| Bit(s) | Description | Type | Serial EEPROM and I ² C | Default |
|--------|--|-------|------------------------------------|---------|
| 0 | Memory Space Indicator 0 = Memory BAR <i>Note: Hardwired to 0.</i> | RO | No | 0 |
| 2:1 | Memory Map Type Memory Mapping for Port 1. 00b = Base Address register is 32 bits wide and can be mapped anywhere in the 32-bit Memory space 10b = Base Address register is 64 bits wide and can be mapped anywhere in the 64-bit Address space All other encodings are <i>reserved</i> . | RO | Yes | 00b |
| 3 | Prefetchable 0 = Not Prefetchable 1 = Prefetchable <i>Note: Hardwired to 0.</i> | RO | Yes | 0 |
| 16:4 | <i>Reserved</i> | RsvdP | No | 000h |
| 31:17 | Base Address 0 Shadow copy of Port 1 Base Address 0. | RW | Yes | 0000h |

Register 12-216. 6CCh BAR1 Shadow for Port 1 (Only Ports 0, 4, and 8, and also NT Port Virtual Interface if Port 0 is the NT Port)

| Bit(s) | Description | Type | Serial EEPROM and I ² C | Default |
|--------|---|-------|------------------------------------|------------|
| 31:0 | Base Address 1[63:32] When the BAR0 Shadow for Port 1 register <i>Memory Map Type</i> field (offset 6C8h[2:1]) is programmed to 10b, 64-bit mode is enabled and this register becomes a Shadow copy of Port 1 Base Address 1[63:32]. | RW | Yes | 0000_0000h |
| | <i>Reserved</i> when the BAR0 Shadow for Port 1 register <i>Memory Map Type</i> field (offset 6C8h[2:1]) is not programmed to 10b. | RsvdP | Yes | 0000_0000h |

Register 12-217. 6E0h BAR0 Shadow for Port 4 (Only Ports 0, 4, and 8, and also NT Port Virtual Interface if Port 0 is the NT Port)

| Bit(s) | Description | Type | Serial EEPROM and I ² C | Default |
|--------|--|-------|------------------------------------|---------|
| 0 | Memory Space Indicator 0 = Memory BAR <i>Note: Hardwired to 0.</i> | RO | No | 0 |
| 2:1 | Memory Map Type Memory Mapping for Port 4. 00b = Base Address register is 32 bits wide and can be mapped anywhere in the 32-bit Memory space 10b = Base Address register is 64 bits wide and can be mapped anywhere in the 64-bit Address space All other encodings are <i>reserved</i> . | RO | Yes | 00b |
| 3 | Prefetchable 0 = Not Prefetchable 1 = Prefetchable <i>Note: Hardwired to 0.</i> | RO | Yes | 0 |
| 16:4 | <i>Reserved</i> | RsvdP | No | 000h |
| 31:17 | Base Address 0 Shadow copy of Port 4 Base Address 0. | RW | Yes | 0000h |

Register 12-218. 6E4h BAR1 Shadow for Port 4 (Only Ports 0, 4, and 8, and also NT Port Virtual Interface if Port 0 is the NT Port)

| Bit(s) | Description | Type | Serial EEPROM and I ² C | Default |
|--------|---|-------|------------------------------------|------------|
| 31:0 | Base Address 1[63:32] When the BAR0 Shadow for Port 4 register <i>Memory Map Type</i> field (offset 6E0h[2:1]) is programmed to 10b, 64-bit mode is enabled and this register becomes a Shadow copy of Port 4 Base Address 1[63:32]. | RW | Yes | 0000_0000h |
| | <i>Reserved</i> when the BAR0 Shadow for Port 4 register <i>Memory Map Type</i> field (offset 6E0h[2:1]) is not programmed to 10b. | RsvdP | Yes | 0000_0000h |

Register 12-219. 6E8h BAR0 Shadow for Port 5 (Only Ports 0, 4, and 8, and also NT Port Virtual Interface if Port 0 is the NT Port)

| Bit(s) | Description | Type | Serial EEPROM and I ² C | Default |
|--------|--|-------|------------------------------------|---------|
| 0 | Memory Space Indicator 0 = Memory BAR <i>Note: Hardwired to 0.</i> | RO | No | 0 |
| 2:1 | Memory Map Type Memory Mapping for Port 5. 00b = Base Address register is 32 bits wide and can be mapped anywhere in the 32-bit Memory space 10b = Base Address register is 64 bits wide and can be mapped anywhere in the 64-bit Address space All other encodings are <i>reserved</i> . | RO | Yes | 00b |
| 3 | Prefetchable 0 = Not Prefetchable 1 = Prefetchable <i>Note: Hardwired to 0.</i> | RO | Yes | 0 |
| 16:4 | Reserved | RsvdP | No | 000h |
| 31:17 | Base Address 0 Shadow copy of Port 5 Base Address 0. | RW | Yes | 0000h |

Register 12-220. 6ECh BAR1 Shadow for Port 5 (Only Ports 0, 4, and 8, and also NT Port Virtual Interface if Port 0 is the NT Port)

| Bit(s) | Description | Type | Serial EEPROM and I ² C | Default |
|--------|---|-------|------------------------------------|------------|
| 31:0 | Base Address 1[63:32] When the BAR0 Shadow for Port 5 register <i>Memory Map Type</i> field (offset 6E8h[2:1]) is programmed to 10b, 64-bit mode is enabled and this register becomes a Shadow copy of Port 5 Base Address 1[63:32]. | RW | Yes | 0000_0000h |
| | Reserved when the BAR0 Shadow for Port 5 register <i>Memory Map Type</i> field (offset 6E8h[2:1]) is not programmed to 10b. | RsvdP | Yes | 0000_0000h |

Register 12-221. 6F0h BAR0 Shadow for Port 6 (Only Ports 0, 4, and 8, and also NT Port Virtual Interface if Port 0 is the NT Port)

| Bit(s) | Description | Type | Serial EEPROM and I ² C | Default |
|--------|--|-------|------------------------------------|---------|
| 0 | Memory Space Indicator 0 = Memory BAR <i>Note: Hardwired to 0.</i> | RO | No | 0 |
| 2:1 | Memory Map Type Memory Mapping for Port 6. 00b = Base Address register is 32 bits wide and can be mapped anywhere in the 32-bit Memory space 10b = Base Address register is 64 bits wide and can be mapped anywhere in the 64-bit Address space All other encodings are <i>reserved</i> . | RO | Yes | 00b |
| 3 | Prefetchable 0 = Not Prefetchable 1 = Prefetchable <i>Note: Hardwired to 0.</i> | RO | Yes | 0 |
| 16:4 | <i>Reserved</i> | RsvdP | No | 000h |
| 31:17 | Base Address 0 Shadow copy of Port 6 Base Address 0. | RW | Yes | 0000h |

Register 12-222. 6F4h BAR1 Shadow for Port 6 (Only Ports 0, 4, and 8, and also NT Port Virtual Interface if Port 0 is the NT Port)

| Bit(s) | Description | Type | Serial EEPROM and I ² C | Default |
|--------|---|-------|------------------------------------|------------|
| 31:0 | Base Address 1[63:32] When the BAR0 Shadow for Port 6 register <i>Memory Map Type</i> field (offset 6F0h[2:1]) is programmed to 10b, 64-bit mode is enabled and this register becomes a Shadow copy of Port 6 Base Address 1[63:32]. | RW | Yes | 0000_0000h |
| | <i>Reserved</i> when the BAR0 Shadow for Port 6 register <i>Memory Map Type</i> field (offset 6F0h[2:1]) is not programmed to 10b. | RsvdP | Yes | 0000_0000h |

Register 12-223. 700h BAR0 Shadow for Port 8 (Only Ports 0, 4, and 8, and also NT Port Virtual Interface if Port 0 is the NT Port)

| Bit(s) | Description | Type | Serial EEPROM and I ² C | Default |
|--------|--|-------|------------------------------------|---------|
| 0 | Memory Space Indicator 0 = Memory BAR <i>Note: Hardwired to 0.</i> | RO | No | 0 |
| 2:1 | Memory Map Type Memory Mapping for Port 8. 00b = Base Address register is 32 bits wide and can be mapped anywhere in the 32-bit Memory space 10b = Base Address register is 64 bits wide and can be mapped anywhere in the 64-bit Address space All other encodings are <i>reserved</i> . | RO | Yes | 00b |
| 3 | Prefetchable 0 = Not Prefetchable 1 = Prefetchable <i>Note: Hardwired to 0.</i> | RO | Yes | 0 |
| 16:4 | Reserved | RsvdP | No | 000h |
| 31:17 | Base Address 0 Shadow copy of Port 8 Base Address 0. | RW | Yes | 0000h |

Register 12-224. 704h BAR1 Shadow for Port 8 (Only Ports 0, 4, and 8, and also NT Port Virtual Interface if Port 0 is the NT Port)

| Bit(s) | Description | Type | Serial EEPROM and I ² C | Default |
|--------|---|-------|------------------------------------|------------|
| 31:0 | Base Address 1[63:32] When the BAR0 Shadow for Port 8 register <i>Memory Map Type</i> field (offset 700h[2:1]) is programmed to 10b, 64-bit mode is enabled and this register becomes a Shadow copy of Port 8 Base Address 1[63:32]. | RW | Yes | 0000_0000h |
| | Reserved when the BAR0 Shadow for Port 8 register <i>Memory Map Type</i> field (offset 700h[2:1]) is not programmed to 10b. | RsvdP | Yes | 0000_0000h |

Register 12-225. 708h BAR0 Shadow for Port 9 (Only Ports 0, 4, and 8, and also NT Port Virtual Interface if Port 0 is the NT Port)

| Bit(s) | Description | Type | Serial EEPROM and I ² C | Default |
|--------|--|-------|------------------------------------|---------|
| 0 | Memory Space Indicator 0 = Memory BAR <i>Note: Hardwired to 0.</i> | RO | No | 0 |
| 2:1 | Memory Map Type Memory Mapping for Port 9. 00b = Base Address register is 32 bits wide and can be mapped anywhere in the 32-bit Memory space 10b = Base Address register is 64 bits wide and can be mapped anywhere in the 64-bit Address space All other encodings are <i>reserved</i> . | RO | Yes | 00b |
| 3 | Prefetchable 0 = Not Prefetchable 1 = Prefetchable <i>Note: Hardwired to 0.</i> | RO | Yes | 0 |
| 16:4 | <i>Reserved</i> | RsvdP | No | 000h |
| 31:17 | Base Address 0 Shadow copy of Port 9 Base Address 0. | RW | Yes | 0000h |

Register 12-226. 70Ch BAR1 Shadow for Port 9 (Only Ports 0, 4, and 8, and also NT Port Virtual Interface if Port 0 is the NT Port)

| Bit(s) | Description | Type | Serial EEPROM and I ² C | Default |
|--------|---|-------|------------------------------------|------------|
| 31:0 | Base Address 1[63:32] When the BAR0 Shadow for Port 9 register <i>Memory Map Type</i> field (offset 708h[2:1]) is programmed to 10b, 64-bit mode is enabled and this register becomes a Shadow copy of Port 9 Base Address 1[63:32]. | RW | Yes | 0000_0000h |
| | <i>Reserved</i> when the BAR0 Shadow for Port 9 register <i>Memory Map Type</i> field (offset 708h[2:1]) is not programmed to 10b. | RsvdP | Yes | 0000_0000h |

12.16.6 Device-Specific Registers – Virtual Channel Resource Control Shadow (Offsets 740h – 83Ch)

This section details the Device-Specific Virtual Channel (VC) Resource Control Shadow registers, for each Port, which shadow register offset 15Ch. Table 12-46 defines the register map.

Table 12-46. Device-Specific VC Resource Control Shadow Register Map (Only Ports 0, 4, and 8, and also NT Port Virtual Interface if Port 0 is the NT Port)

| 31 | 30 | 29 | 28 | 27 | 26 | 25 | 24 | 23 | 22 | 21 | 20 | 19 | 18 | 17 | 16 | 15 | 14 | 13 | 12 | 11 | 10 | 9 | 8 | 7 | 6 | 5 | 4 | 3 | 2 | 1 | 0 | |
|-----------------------------------|----|----|----|----|----|----|----|----|----|----|----|----|----|----|----|----|----|----|----|----|----|---|---|---|---|---|---|---|---|---|---|--------|
| Port 0 VC0 Resource Control | | | | | | | | | | | | | | | | | | | | | | | | | | | | | | | | 740h |
| <i>Reserved</i> | | | | | | | | | | | | | | | | | | | | | | | | | | | | | | | | 744h |
| Port 1 VC0 Resource Control | | | | | | | | | | | | | | | | | | | | | | | | | | | | | | | | 748h |
| <i>Reserved</i> | | | | | | | | | | | | | | | | | | | | | | | | | | | | | | | | 74Ch |
| <i>Factory Test Only/Reserved</i> | | | | | | | | | | | | | | | | | | | | | | | | | | | | | | | | 750h – |
| Port 4 VC0 Resource Control | | | | | | | | | | | | | | | | | | | | | | | | | | | | | | | | 760h |
| <i>Reserved</i> | | | | | | | | | | | | | | | | | | | | | | | | | | | | | | | | 764h |
| Port 5 VC0 Resource Control | | | | | | | | | | | | | | | | | | | | | | | | | | | | | | | | 768h |
| <i>Reserved</i> | | | | | | | | | | | | | | | | | | | | | | | | | | | | | | | | 76Ch |
| Port 6 VC0 Resource Control | | | | | | | | | | | | | | | | | | | | | | | | | | | | | | | | 770h |
| <i>Reserved</i> | | | | | | | | | | | | | | | | | | | | | | | | | | | | | | | | 774h |
| <i>Factory Test Only/Reserved</i> | | | | | | | | | | | | | | | | | | | | | | | | | | | | | | | | 778h – |
| Port 8 VC0 Resource Control | | | | | | | | | | | | | | | | | | | | | | | | | | | | | | | | 780h |
| <i>Reserved</i> | | | | | | | | | | | | | | | | | | | | | | | | | | | | | | | | 784h |
| Port 9 VC0 Resource Control | | | | | | | | | | | | | | | | | | | | | | | | | | | | | | | | 788h |
| <i>Reserved</i> | | | | | | | | | | | | | | | | | | | | | | | | | | | | | | | | 78Ch |
| <i>Factory Test Only/Reserved</i> | | | | | | | | | | | | | | | | | | | | | | | | | | | | | | | | 790h – |
| <i>Reserved</i> | | | | | | | | | | | | | | | | | | | | | | | | | | | | | | | | 79Ch – |
| | | | | | | | | | | | | | | | | | | | | | | | | | | | | | | | | 83Ch |

Register 12-227. 740h Port 0 VC0 Resource Control (Only Ports 0, 4, and 8, and also NT Port Virtual Interface if Port 0 is the NT Port)

| Bit(s) | Description | Ports | Type | Serial EEPROM and I ² C | Default |
|--------|---|---------------------------------|-------|------------------------------------|---------|
| 0 | TC/VC Map Defines Traffic Classes [7:0], respectively, and indicates which TCs are mapped to VC0. Traffic Class 0 (TC0) must be mapped to VC0. By default, Traffic Classes [7:1] are mapped to VC0. | | RO | No | 1 |
| 7:1 | | | RW | Yes | 7Fh |
| 15:8 | <i>Reserved</i> | | RsvdP | No | 00h |
| 16 | Load Port Arbitration Table Software writes this bit, to load the updated WRR Port Arbitration Table value to the internal logic. Software Read always returns 0. | | RW | Yes | 0 |
| 19:17 | Port Arbitration Select Selects the Port Arbitration type for Port 0. Indicates the bit number in the VC0 Resource Capability register <i>Port Arbitration Capability</i> field (offset 158h[1:0]) that corresponds to the arbitration type. 0 = Round-Robin (Hardware-Fixed) arbitration scheme 1 = Weighted Round-Robin with 32 Phases <i>Note: This field's value is 001b for upstream Port 0, and 000b for all other Ports.</i> | Upstream Port 0 (refer to Note) | RW | Yes | 001b |
| | | All other Ports | RW | Yes | 000b |
| 23:20 | <i>Reserved</i> | | RsvdP | No | 0h |
| 24 | VC ID Defines the Port 0 VC0 ID code. Cleared, because VC0 is the only/default VC. | | RO | No | 0 |
| 30:25 | <i>Reserved</i> | | RsvdP | No | 0-0h |
| 31 | VC Enable 0 = Not allowed 1 = Enables Port 0 VC0 | | RO | No | 1 |

Register 12-228. 748h Port 1 VC0 Resource Control (Only Ports 0, 4, and 8, and also NT Port Virtual Interface if Port 0 is the NT Port)

| Bit(s) | Description | Ports | Type | Serial EEPROM and I ² C | Default |
|--------|---|---------------------------------|-------|------------------------------------|---------|
| 0 | TC/VC Map Defines Traffic Classes [7:0], respectively, and indicates which TCs are mapped to VC0. Traffic Class 0 (TC0) must be mapped to VC0. By default, Traffic Classes [7:1] are mapped to VC0. | | RO | No | 1 |
| 7:1 | | | RW | Yes | 7Fh |
| 15:8 | <i>Reserved</i> | | RsvdP | No | 00h |
| 16 | Load Port Arbitration Table Software writes this bit, to load the updated WRR Port Arbitration Table value to the internal logic. Software Read always returns 0. | | RW | Yes | 0 |
| 19:17 | Port Arbitration Select Selects the Port Arbitration type for Port 1. Indicates the bit number in the VC0 Resource Capability register <i>Port Arbitration Capability</i> field (offset 158h[1:0]) that corresponds to the arbitration type. 0 = Round-Robin (Hardware-Fixed) arbitration scheme 1 = Weighted Round-Robin with 32 Phases <i>Note: This field's value is 001b for upstream Port 0, and 000b for all other Ports.</i> | Upstream Port 0 (refer to Note) | RW | Yes | 001b |
| | | All other Ports | RW | Yes | 000b |
| 23:20 | <i>Reserved</i> | | RsvdP | No | 0h |
| 24 | VC ID Defines the Port 1 VC0 ID code. Cleared, because VC0 is the only/default VC. | | RO | No | 0 |
| 30:25 | <i>Reserved</i> | | RsvdP | No | 0-0h |
| 31 | VC Enable 0 = Not allowed 1 = Enables Port 1 VC0 | | RO | No | 1 |

Register 12-229. 760h Port 4 VC0 Resource Control (Only Ports 0, 4, and 8, and also NT Port Virtual Interface if Port 0 is the NT Port)

| Bit(s) | Description | Ports | Type | Serial EEPROM and I ² C | Default |
|--------|---|---------------------------------|-------|------------------------------------|---------|
| 0 | TC/VC Map Defines Traffic Classes [7:0], respectively, and indicates which TCs are mapped to VC0. Traffic Class 0 (TC0) must be mapped to VC0. By default, Traffic Classes [7:1] are mapped to VC0. | | RO | No | 1 |
| 7:1 | | | RW | Yes | 7Fh |
| 15:8 | <i>Reserved</i> | | RsvdP | No | 00h |
| 16 | Load Port Arbitration Table Software writes this bit, to load the updated WRR Port Arbitration Table value to the internal logic. Software Read always returns 0. | | RW | Yes | 0 |
| 19:17 | Port Arbitration Select Selects the Port Arbitration type for Port 4. Indicates the bit number in the VC0 Resource Capability register <i>Port Arbitration Capability</i> field (offset 158h[1:0]) that corresponds to the arbitration type. 0 = Round-Robin (Hardware-Fixed) arbitration scheme 1 = Weighted Round-Robin with 32 Phases <i>Note: This field's value is 001b for upstream Port 0, and 000b for all other Ports.</i> | Upstream Port 0 (refer to Note) | RW | Yes | 001b |
| | | All other Ports | RW | Yes | 000b |
| 23:20 | <i>Reserved</i> | | RsvdP | No | 0h |
| 24 | VC ID Defines the Port 4 VC0 ID code. Cleared, because VC0 is the only/default VC. | | RO | No | 0 |
| 30:25 | <i>Reserved</i> | | RsvdP | No | 0-0h |
| 31 | VC Enable 0 = Not allowed 1 = Enables Port 4 VC0 | | RO | No | 1 |

Register 12-230. 768h Port 5 VC0 Resource Control (Only Ports 0, 4, and 8, and also NT Port Virtual Interface if Port 0 is the NT Port)

| Bit(s) | Description | Ports | Type | Serial EEPROM and I ² C | Default |
|--------|---|---------------------------------|-------|------------------------------------|---------|
| 0 | TC/VC Map Defines Traffic Classes [7:0], respectively, and indicates which TCs are mapped to VC0. Traffic Class 0 (TC0) must be mapped to VC0. By default, Traffic Classes [7:1] are mapped to VC0. | | RO | No | 1 |
| 7:1 | | | RW | Yes | 7Fh |
| 15:8 | Reserved | | RsvdP | No | 00h |
| 16 | Load Port Arbitration Table Software writes this bit, to load the updated WRR Port Arbitration Table value to the internal logic. Software Read always returns 0. | | RW | Yes | 0 |
| 19:17 | Port Arbitration Select Selects the Port Arbitration type for Port 5. Indicates the bit number in the VC0 Resource Capability register <i>Port Arbitration Capability</i> field (offset 158h[1:0]) that corresponds to the arbitration type. 0 = Round-Robin (Hardware-Fixed) arbitration scheme 1 = Weighted Round-Robin with 32 Phases <i>Note: This field's value is 001b for upstream Port 0, and 000b for all other Ports.</i> | Upstream Port 0 (refer to Note) | RW | Yes | 001b |
| | | All other Ports | RW | Yes | 000b |
| 23:20 | Reserved | | RsvdP | No | 0h |
| 24 | VC ID Defines the Port 5 VC0 ID code. Cleared, because VC0 is the only/default VC. | | RO | No | 0 |
| 30:25 | Reserved | | RsvdP | No | 0-0h |
| 31 | VC Enable 0 = Not allowed 1 = Enables Port 5 VC0 | | RO | No | 1 |

Register 12-231. 770h Port 6 VC0 Resource Control (Only Ports 0, 4, and 8, and also NT Port Virtual Interface if Port 0 is the NT Port)

| Bit(s) | Description | Ports | Type | Serial EEPROM and I ² C | Default |
|--------|---|---------------------------------|-------|------------------------------------|---------|
| 0 | TC/VC Map Defines Traffic Classes [7:0], respectively, and indicates which TCs are mapped to VC0. Traffic Class 0 (TC0) must be mapped to VC0. By default, Traffic Classes [7:1] are mapped to VC0. | | RO | No | 1 |
| 7:1 | | | RW | Yes | 7Fh |
| 15:8 | <i>Reserved</i> | | RsvdP | No | 00h |
| 16 | Load Port Arbitration Table Software writes this bit, to load the updated WRR Port Arbitration Table value to the internal logic. Software Read always returns 0. | | RW | Yes | 0 |
| 19:17 | Port Arbitration Select Selects the Port Arbitration type for Port 6. Indicates the bit number in the VC0 Resource Capability register <i>Port Arbitration Capability</i> field (offset 158h[1:0]) that corresponds to the arbitration type. 0 = Round-Robin (Hardware-Fixed) arbitration scheme 1 = Weighted Round-Robin with 32 Phases <i>Note: This field's value is 001b for upstream Port 0, and 000b for all other Ports.</i> | Upstream Port 0 (refer to Note) | RW | Yes | 001b |
| | | All other Ports | RW | Yes | 000b |
| 23:20 | <i>Reserved</i> | | RsvdP | No | 0h |
| 24 | VC ID Defines the Port 6 VC0 ID code. Cleared, because VC0 is the only/default VC. | | RO | No | 0 |
| 30:25 | <i>Reserved</i> | | RsvdP | No | 0-0h |
| 31 | VC Enable 0 = Not allowed 1 = Enables Port 6 VC0 | | RO | No | 1 |

Register 12-232. 780h Port 8 VC0 Resource Control (Only Ports 0, 4, and 8, and also NT Port Virtual Interface if Port 0 is the NT Port)

| Bit(s) | Description | Ports | Type | Serial EEPROM and I ² C | Default |
|--------|---|---------------------------------|-------|------------------------------------|---------|
| 0 | TC/VC Map Defines Traffic Classes [7:0], respectively, and indicates which TCs are mapped to VC0. Traffic Class 0 (TC0) must be mapped to VC0. By default, Traffic Classes [7:1] are mapped to VC0. | | RO | No | 1 |
| 7:1 | | | RW | Yes | 7Fh |
| 15:8 | <i>Reserved</i> | | RsvdP | No | 00h |
| 16 | Load Port Arbitration Table Software writes this bit, to load the updated WRR Port Arbitration Table value to the internal logic. Software Read always returns 0. | | RW | Yes | 0 |
| 19:17 | Port Arbitration Select Selects the Port Arbitration type for Port 8. Indicates the bit number in the VC0 Resource Capability register <i>Port Arbitration Capability</i> field (offset 158h[1:0]) that corresponds to the arbitration type. 0 = Round-Robin (Hardware-Fixed) arbitration scheme 1 = Weighted Round-Robin with 32 Phases <i>Note: This field's value is 001b for upstream Port 0, and 000b for all other Ports.</i> | Upstream Port 0 (refer to Note) | RW | Yes | 001b |
| | | All other Ports | RW | Yes | 000b |
| 23:20 | <i>Reserved</i> | | RsvdP | No | 0h |
| 24 | VC ID Defines the Port 8 VC0 ID code. Cleared, because VC0 is the only/default VC. | | RO | No | 0 |
| 30:25 | <i>Reserved</i> | | RsvdP | No | 0-0h |
| 31 | VC Enable 0 = Not allowed 1 = Enables Port 8 VC0 | | RO | No | 1 |

Register 12-233. 788h Port 9 VC0 Resource Control (Only Ports 0, 4, and 8, and also NT Port Virtual Interface if Port 0 is the NT Port)

| Bit(s) | Description | Ports | Type | Serial EEPROM and I ² C | Default |
|--------|---|---------------------------------|-------|------------------------------------|---------|
| 0 | TC/VC Map Defines Traffic Classes [7:0], respectively, and indicates which TCs are mapped to VC0. Traffic Class 0 (TC0) must be mapped to VC0. By default, Traffic Classes [7:1] are mapped to VC0. | | RO | No | 1 |
| 7:1 | | | RW | Yes | 7Fh |
| 15:8 | <i>Reserved</i> | | RsvdP | No | 00h |
| 16 | Load Port Arbitration Table Software writes this bit, to load the updated WRR Port Arbitration Table value to the internal logic. Software Read always returns 0. | | RW | Yes | 0 |
| 19:17 | Port Arbitration Select Selects the Port Arbitration type for Port 9. Indicates the bit number in the VC0 Resource Capability register <i>Port Arbitration Capability</i> field (offset 158h[1:0]) that corresponds to the arbitration type. 0 = Round-Robin (Hardware-Fixed) arbitration scheme 1 = Weighted Round-Robin with 32 Phases <i>Note: This field's value is 001b for upstream Port 0, and 000b for all other Ports.</i> | Upstream Port 0 (refer to Note) | RW | Yes | 001b |
| | | All other Ports | RW | Yes | 000b |
| 23:20 | <i>Reserved</i> | | RsvdP | No | 0h |
| 24 | VC ID Defines the Port 9 VC0 ID code. Cleared, because VC0 is the only/default VC. | | RO | No | 0 |
| 30:25 | <i>Reserved</i> | | RsvdP | No | 0-0h |
| 31 | VC Enable 0 = Not allowed 1 = Enables Port 9 VC0 | | RO | No | 1 |

12.16.7 Device-Specific Registers – Ingress Credit Handler Port Pool (Offsets 940h – 94Ch)

This section details the Device-Specific Ingress Credit Handler (INCH) Port Pool registers. [Table 12-47](#) defines the register map.

The original intent for the INCH Port Pool registers was to provide another level of reservation of the Common Pool credits. These registers are essentially redundant to what is accomplished by changing the values of the **INCH Threshold** registers. (Refer to [Section 12.16.10](#).)

Consider the INCH Port Pool registers to be *reserved* and only change the credit Settings, using the INCH Threshold registers. Do not change the INCH Port Pool registers from their default values, unless directed otherwise by PLX Technical Support.

Refer to [Section 8.4, “Ingress Resources,”](#) and its sub-sections, for further details regarding credits and credit allocation.

Table 12-47. Device-Specific INCH Port Pool Register Map (Only Ports 0, 4, and 8, and also NT Port Virtual Interface if Port 0 is the NT Port)

| | | | |
|--------------------------|-------------------------|---------------------------------------|---|
| 31 30 29 28 27 26 25 24 | 23 22 21 20 19 18 17 16 | 15 14 13 12 11 10 9 8 7 6 5 4 3 2 1 0 | 940h |
| <i>Factory Test Only</i> | | | INCH Port Pool Setting for Stations 0, 1, and 2 |
| <i>Reserved</i> | | | 944h – 94Ch |

Register 12-234. 940h INCH Port Pool Setting for Stations 0, 1, and 2 (Only Ports 0, 4, and 8, and also NT Port Virtual Interface if Port 0 is the NT Port)

| Bit(s) | Description | Type | Serial EEPROM and I ² C | Default |
|---|--|------|------------------------------------|---------|
| <p><i>Notes: The Port bit controls individual Ports within each Station, as defined in Table 12-48. Factory Test Only bits are RsvdP and not serial EEPROM nor I²C writable.</i></p> <p><i>Consider the INCH Port Pool registers to be reserved and only change the credit Settings, using the INCH Threshold registers (Port 0, 4, or 8, and also NT Port Virtual Interface if Port 0 is the NT Port, offsets A00h through A38h). Do not change the INCH Port Pool registers from their default values, unless directed otherwise by PLX Technical Support.</i></p> | | | | |
| 2:0 | <p>Port 0 or 8 Payload Pool Payload credits (other than the initial credits) for Posted/Completion TLPs dedicated to Port 0 or 8. The Port 4 bit is Factory Test Only (RsvdP and not serial EEPROM nor I²C writable).</p> <p>000b = 0 001b = 32 010b = 64 011b = 96 100b = 128 101b = 192 110b, 111b = 256</p> | RWS | Yes | 000b |
| 3 | <p>Unused 0 Keep value at 0. Additional bit for Port 0 or 8 Payload Pool. The Port 4 bit is Factory Test Only (RsvdP and not serial EEPROM nor I²C writable).</p> | RWS | Yes | 0 |
| 6:4 | <p>Port 0 or 8 Header Pool Combined Header credits (other than the initial credits) dedicated to Port 0 or 8. The Port 4 bit is Factory Test Only (RsvdP and not serial EEPROM nor I²C writable).</p> <p>000b = 0 TLP 001b = 4 TLPs 010b = 8 TLPs 011b = 16 TLPs 100b = 32 TLPs 101b = 48 TLPs 110b, 111b = 64 TLPs</p> | RWS | Yes | 000b |
| 7 | <p>Unused 1 Keep value at 0. Additional bit for Port 0 or 8 Header Pool. The Port 4 bit is Factory Test Only (RsvdP and not serial EEPROM nor I²C writable).</p> | RWS | Yes | 0 |

Register 12-234. 940h INCH Port Pool Setting for Stations 0, 1, and 2 (Only Ports 0, 4, and 8, and also NT Port Virtual Interface if Port 0 is the NT Port) (Cont.)

| Bit(s) | Description | Type | Serial EEPROM and I ² C | Default |
|--------|--|------|------------------------------------|---------|
| 10:8 | Port 1, 5, or 9 Payload Pool Payload credits (other than the initial credits) for Posted/Completion TLPs dedicated to Port 1, 5, or 9. 000b = 0 001b = 32 010b = 64 011b = 96 100b = 128 101b = 192 110b, 111b = 256 | RWS | Yes | 000b |
| 11 | Unused 2 Keep value at 0. Additional bit for Port 1, 5, or 9 Payload Pool. | RWS | Yes | 0 |
| 14:12 | Port 1, 5, or 9 Header Pool Combined Header credits (other than the initial credits) dedicated to Port 1, 5, or 9. 000b = 0 TLP 001b = 4 TLPs 010b = 8 TLPs 011b = 16 TLPs 100b = 32 TLPs 101b = 48 TLPs 110b, 111b = 64 TLPs | RWS | Yes | 000b |
| 15 | Unused 3 Keep value at 0. Additional bit for Port 1, 5, or 9 Header Pool. | RWS | Yes | 0 |

Register 12-234. 940h INCH Port Pool Setting for Stations 0, 1, and 2 (Only Ports 0, 4, and 8, and also NT Port Virtual Interface if Port 0 is the NT Port) (Cont.)

| Bit(s) | Description | Type | Serial EEPROM and I ² C | Default |
|--------|--|-------|------------------------------------|---------|
| 18:16 | Port 6 Payload Pool Payload credits (other than the initial credits) for Posted/Completion TLPs dedicated to Port 6. 000b = 0 001b = 32 010b = 64 011b = 96 100b = 128 101b = 192 110b, 111b = 256 | RWS | Yes | 000b |
| 19 | Unused 4 Keep value at 0. Additional bit for Port 6 Payload Pool. | RWS | Yes | 0 |
| 22:20 | Port 6 Header Pool Combined Header credits (other than the initial credits) dedicated to Port 6. 000b = 0 TLP 001b = 4 TLPs 010b = 8 TLPs 011b = 16 TLPs 100b = 32 TLPs 101b = 48 TLPs 110b, 111b = 64 TLPs | RWS | Yes | 000b |
| 23 | Unused 5 Keep value at 0. Additional bit for Port 6 Header Pool. | RWS | Yes | 0 |
| 31:24 | Factory Test Only | RsvdP | No | 00h |

Table 12-48. Port Bit to Port Control Relationship, by Station, for Register Offset 940h

| Bit(s) | Station 0 Port 0 Bit Controls Port | Station 1 Port 4 Bit Controls Port | Station 2 Port 8 Bit Controls Port |
|--------|---------------------------------------|---------------------------------------|---------------------------------------|
| 7:0 | 0 | <i>Factory Test Only</i> | 8 |
| 15:8 | 1 | 5 | 9 |
| 23:16 | <i>Factory Test Only</i> | 6 | <i>Factory Test Only</i> |

12.16.8 Device-Specific Registers – Vendor-Specific Extended Capability 2 (Offsets 950h – 95Ch)

This section details the Device-Specific Vendor-Specific Extended Capability 2 registers. [Table 12-49](#) defines the register map.

Table 12-49. Device-Specific, Vendor-Specific Extended Capability 2 Register Map (All Ports)

| | | | |
|---|---------------------------------------|--|------|
| 31 30 29 28 27 26 25 24 23 22 21 20 19 18 17 16 | 15 14 13 12 11 10 9 8 7 6 5 4 3 2 1 0 | | |
| Next Capability Offset 2 (000h) | Capability Version 2 (1h) | PCI Express Extended Capability ID 2 (000Bh) | 950h |
| Vendor-Specific Header 2 | | | 954h |
| Hardwired Device ID | | Hardwired Vendor ID | 958h |
| <i>Reserved</i> | | Hardwired Revision ID | 95Ch |

Register 12-235. 950h Vendor-Specific Extended Capability 2 (All Ports)

| Bit(s) | Description | Type | Serial EEPROM and I ² C | Default |
|--------|---|------|------------------------------------|---------|
| 15:0 | PCI Express Extended Capability ID 2 Programmed to 000Bh, indicating that the Capability structure is the Vendor-Specific Extended Capability structure. | RO | Yes | 000Bh |
| 19:16 | Capability Version 2 | RO | Yes | 1h |
| 31:20 | Next Capability Offset 2 000h = This extended capability is the last capability in the PEX 8624 Extended Capabilities list | RO | Yes | 000h |

Register 12-236. 954h Vendor-Specific Header 2 (All Ports)

| Bit(s) | Description | Type | Serial EEPROM and I ² C | Default |
|--------|---|------|------------------------------------|---------|
| 15:0 | Vendor-Specific ID 2 ID Number of this Vendor-Specific Extended Capability (VSEC) structure. | RO | Yes | 0001h |
| 19:16 | Vendor-Specific Rev 2 Version Number of this VSEC structure. | RO | Yes | 0h |
| 31:20 | Vendor-Specific Rev 2 Number of bytes in the entire VSEC structure. | RO | Yes | 010h |

Register 12-237. 958h PLX Hardwired Configuration ID (All Ports)

| Bit(s) | Description | Type | Serial EEPROM and I ² C | Default |
|--------|--|------|------------------------------------|---------|
| 15:0 | Hardwired Vendor ID Always returns the PLX PCI-SIG-assigned Vendor ID value, 10B5h. | RO | No | 10B5h |
| 31:16 | Hardwired Device ID Always returns the PEX 8624 default Device ID value, 8624h. | RO | No | 8624h |

Register 12-238. 95Ch PLX Hardwired Revision ID (All Ports)

| Bit(s) | Description | Type | Serial EEPROM and I ² C | Default |
|--------|--|-------|------------------------------------|----------|
| 7:0 | Hardwired Revision ID Returns AAh for all Silicon Revisions. | RO | No | AAh |
| 31:8 | <i>Reserved</i> | RsvdP | No | 0000_00h |

12.16.9 Device-Specific Registers – ACS Extended Capability (Offsets 980h – 9FCh)

This section details the Device-Specific ACS Extended Capability registers. The registers in this structure are shadow copies of the Port 0 registers located at offsets 524h and 528h, for each Port. Table 12-50 defines the register map.

Table 12-50. Device-Specific ACS Extended Capability Register Map (Only Ports 0, 4, and 8)

| 31 30 29 28 27 26 25 24 23 22 21 20 19 18 17 16 | 15 14 13 12 11 10 9 8 7 6 5 4 3 2 1 0 | |
|---|---------------------------------------|-------------|
| ACS Port 0 Control | ACS Port 0 Capability | 980h |
| ACS Port 0 Egress Control Vector | | 984h |
| ACS Port 1 Control | ACS Port 1 Capability | 988h |
| ACS Port 1 Egress Control Vector | | 98Ch |
| <i>Factory Test Only</i> | | 990h – 99Ch |
| ACS Port 4 Control | ACS Port 4 Capability | 9A0h |
| ACS Port 4 Egress Control Vector | | 9A4h |
| ACS Port 5 Control | ACS Port 5 Capability | 9A8h |
| ACS Port 5 Egress Control Vector | | 9ACh |
| ACS Port 6 Control | ACS Port 6 Capability | 9B0h |
| ACS Port 6 Egress Control Vector | | 9B4h |
| <i>Factory Test Only</i> | | 9B8h – 9BCh |
| ACS Port 8 Control | ACS Port 8 Capability | 9C0h |
| ACS Port 8 Egress Control Vector | | 9C4h |
| ACS Port 9 Control | ACS Port 9 Capability | 9C8h |
| ACS Port 9 Egress Control Vector | | 9CCh |
| <i>Factory Test Only</i> | | 9D0h – 9DCh |
| <i>Reserved</i> | | 9E0h – 9FCh |

Register 12-239. 980h ACS Port 0 Control and Capability (Only Ports 0, 4, and 8)

| Bit(s) | Description | Ports | Type | Serial EEPROM and I ² C | Default |
|------------------------------|---|------------|-------|------------------------------------|---------|
| ACS Port 0 Capability | | | | | |
| 0 | <i>Reserved</i> | Upstream | RsvdP | No | 0 |
| | ACS Source Validation | Downstream | RO | Yes | 1 |
| 1 | <i>Reserved</i> | Upstream | RsvdP | No | 0 |
| | ACS Translation Blocking | Downstream | RO | Yes | 1 |
| 2 | <i>Reserved</i> | Upstream | RsvdP | No | 0 |
| | ACS P2P Request Redirect ACS Peer-to-Peer Request redirect. | Downstream | RO | Yes | 1 |
| 3 | <i>Reserved</i> | Upstream | RsvdP | No | 0 |
| | ACS P2P Completion Redirect ACS Peer-to-Peer Completion redirect. | Downstream | RO | Yes | 1 |
| 4 | <i>Reserved</i> | Upstream | RsvdP | No | 0 |
| | ACS Upstream Forwarding | Downstream | RO | Yes | 1 |
| 5 | <i>Reserved</i> | Upstream | RsvdP | No | 0 |
| | ACS P2P Egress Control ACS Peer-to-Peer Egress Control. | Downstream | RO | Yes | 1 |
| 6 | <i>Reserved</i> | Upstream | RsvdP | No | 0 |
| | ACS Direct Translated P2P ACS Direct Translated Peer-to-Peer. | Downstream | RO | Yes | 1 |
| 7 | <i>Reserved</i> | | RsvdP | No | 0 |
| 11:8 | <i>Reserved</i> | Upstream | RsvdP | No | 0 |
| | Egress Control Vector Size Port configuration-dependent. Sum of all Ports. Maximum value is Ch. <i>Note: The ACS Egress Control Vector Size value must be adjusted for the specific Port configuration.</i> | Downstream | RO | Yes | Ch |
| 15:12 | <i>Reserved</i> | | RsvdP | No | 0h |

Register 12-239. 980h ACS Port 0 Control and Capability (Only Ports 0, 4, and 8) (Cont.)

| Bit(s) | Description | Ports | Type | Serial EEPROM and I ² C | Default |
|---------------------------|--|------------|-------|------------------------------------|---------|
| ACS Port 0 Control | | | | | |
| 16 | <i>Reserved</i> | Upstream | RsvdP | No | 0 |
| | ACS Source Validation Enable RW operation is masked by bit 0 (<i>ACS Source Validation</i>). 0 = Disables 1 = Enables | Downstream | RW | Yes | 0 |
| 17 | <i>Reserved</i> | Upstream | RsvdP | No | 0 |
| | ACS Translation Blocking Enable RW operation is masked by bit 1 (<i>ACS Translation Blocking</i>). 0 = Disables 1 = Enables | Downstream | RW | Yes | 0 |
| 18 | <i>Reserved</i> | Upstream | RsvdP | No | 0 |
| | ACS P2P Request Redirect Enable RW operation is masked by bit 2 (<i>ACS P2P Request Redirect</i>). 0 = Disables 1 = Enables | Downstream | RW | Yes | 0 |
| 19 | <i>Reserved</i> | Upstream | RsvdP | No | 0 |
| | ACS P2P Completion Redirect Enable RW operation is masked by bit 3 (<i>ACS P2P Completion Redirect</i>). 0 = Disables 1 = Enables | Downstream | RW | Yes | 0 |

Register 12-239. 980h ACS Port 0 Control and Capability (Only Ports 0, 4, and 8) (Cont.)

| Bit(s) | Description | Ports | Type | Serial EEPROM and I ² C | Default |
|--------|--|------------|-------|------------------------------------|---------|
| 20 | <i>Reserved</i> | Upstream | RsvdP | No | 0 |
| | ACS Upstream Forwarding Enable RW operation is masked by bit 4 (<i>ACS Upstream Forwarding</i>). 0 = Disables 1 = Enables | Downstream | RW | Yes | 0 |
| 21 | <i>Reserved</i> | Upstream | RsvdP | No | 0 |
| | ACS Egress Control Enable RW operation is masked by bit 5 (<i>ACS P2P Egress Control</i>). 0 = Disables 1 = Enables | Downstream | RW | Yes | 0 |
| 22 | <i>Reserved</i> | Upstream | RsvdP | No | 0 |
| | ACS Direct Translated P2P Enable RW operation is masked by bit 6 (<i>ACS Direct Translated P2P</i>). 0 = Disables 1 = Enables | Downstream | RW | Yes | 0 |
| 31:23 | <i>Reserved</i> | | RsvdP | No | 0-0h |

Register 12-240. 984h ACS Port 0 Egress Control Vector (Only Ports 0, 4, and 8)

| Bit(s) | Description | Type | Serial EEPROM and I ² C | Default |
|--|--|-------|------------------------------------|---------|
| This register's RW bits are valid when the ACS Port 0 Control register <i>ACS Egress Control Enable</i> bit (offset 980h[21]) is Set. | | | | |
| 0 | Port 0 ACS Egress Control Vector 0 = No Peer-to-Peer control 1 = ACS Peer-to-Peer control | RW | Yes | 0 |
| 1 | Port 1 ACS Egress Control Vector 0 = No Peer-to-Peer control 1 = ACS Peer-to-Peer control | RW | Yes | 0 |
| 3:2 | Factory Test Only | RsvdP | No | 00b |
| 4 | Port 4 ACS Egress Control Vector 0 = No Peer-to-Peer control 1 = ACS Peer-to-Peer control | RW | Yes | 0 |
| 5 | Port 5 ACS Egress Control Vector 0 = No Peer-to-Peer control 1 = ACS Peer-to-Peer control | RW | Yes | 0 |
| 6 | Port 6 ACS Egress Control Vector 0 = No Peer-to-Peer control 1 = ACS Peer-to-Peer control | RW | Yes | 0 |
| 7 | Factory Test Only | RsvdP | No | 0 |
| 8 | Port 8 ACS Egress Control Vector 0 = No Peer-to-Peer control 1 = ACS Peer-to-Peer control | RW | Yes | 0 |
| 9 | Port 9 ACS Egress Control Vector 0 = No Peer-to-Peer control 1 = ACS Peer-to-Peer control | RW | Yes | 0 |
| 11:10 | Factory Test Only | RsvdP | No | 00b |
| 31:12 | Reserved | RsvdP | No | 0000_0h |

Register 12-241. 988h ACS Port 1 Control and Capability (Only Ports 0, 4, and 8)

| Bit(s) | Description | Ports | Type | Serial EEPROM and I ² C | Default |
|------------------------------|---|------------|-------|------------------------------------|---------|
| ACS Port 1 Capability | | | | | |
| 0 | <i>Reserved</i> | Upstream | RsvdP | No | 0 |
| | ACS Source Validation | Downstream | RO | Yes | 1 |
| 1 | <i>Reserved</i> | Upstream | RsvdP | No | 0 |
| | ACS Translation Blocking | Downstream | RO | Yes | 1 |
| 2 | <i>Reserved</i> | Upstream | RsvdP | No | 0 |
| | ACS P2P Request Redirect ACS Peer-to-Peer Request redirect. | Downstream | RO | Yes | 1 |
| 3 | <i>Reserved</i> | Upstream | RsvdP | No | 0 |
| | ACS P2P Completion Redirect ACS Peer-to-Peer Completion redirect. | Downstream | RO | Yes | 1 |
| 4 | <i>Reserved</i> | Upstream | RsvdP | No | 0 |
| | ACS Upstream Forwarding | Downstream | RO | Yes | 1 |
| 5 | <i>Reserved</i> | Upstream | RsvdP | No | 0 |
| | ACS P2P Egress Control ACS Peer-to-Peer Egress Control. | Downstream | RO | Yes | 1 |
| 6 | <i>Reserved</i> | Upstream | RsvdP | No | 0 |
| | ACS Direct Translated P2P ACS Direct Translated Peer-to-Peer. | Downstream | RO | Yes | 1 |
| 7 | <i>Reserved</i> | | RsvdP | No | 0 |
| 11:8 | <i>Reserved</i> | Upstream | RsvdP | No | 0 |
| | Egress Control Vector Size Port configuration-dependent. Sum of all Ports. Maximum value is Ch. <i>Note: The ACS Egress Control Vector Size value must be adjusted for the specific Port configuration.</i> | Downstream | RO | Yes | 10h |
| 15:12 | <i>Reserved</i> | | RsvdP | No | 0h |

Register 12-241. 988h ACS Port 1 Control and Capability (Only Ports 0, 4, and 8) (Cont.)

| Bit(s) | Description | Ports | Type | Serial EEPROM and I ² C | Default |
|---------------------------|--|------------|-------|------------------------------------|---------|
| ACS Port 1 Control | | | | | |
| 16 | <i>Reserved</i> | Upstream | RsvdP | No | 0 |
| | ACS Source Validation Enable RW operation is masked by bit 0 (<i>ACS Source Validation</i>). 0 = Disables 1 = Enables | Downstream | RW | Yes | 0 |
| 17 | <i>Reserved</i> | Upstream | RsvdP | No | 0 |
| | ACS Translation Blocking Enable RW operation is masked by bit 1 (<i>ACS Translation Blocking</i>). 0 = Disables 1 = Enables | Downstream | RW | Yes | 0 |
| 18 | <i>Reserved</i> | Upstream | RsvdP | No | 0 |
| | ACS P2P Request Redirect Enable RW operation is masked by bit 2 (<i>ACS P2P Request Redirect</i>). 0 = Disables 1 = Enables | Downstream | RW | Yes | 0 |
| 19 | <i>Reserved</i> | Upstream | RsvdP | No | 0 |
| | ACS P2P Completion Redirect Enable RW operation is masked by bit 3 (<i>ACS P2P Completion Redirect</i>). 0 = Disables 1 = Enables | Downstream | RW | Yes | 0 |

Register 12-241. 988h ACS Port 1 Control and Capability (Only Ports 0, 4, and 8) (Cont.)

| Bit(s) | Description | Ports | Type | Serial EEPROM and I ² C | Default |
|--------|--|------------|-------|------------------------------------|---------|
| 20 | <i>Reserved</i> | Upstream | RsvdP | No | 0 |
| | ACS Upstream Forwarding Enable RW operation is masked by bit 4 (<i>ACS Upstream Forwarding</i>). 0 = Disables 1 = Enables | Downstream | RW | Yes | 0 |
| 21 | <i>Reserved</i> | Upstream | RsvdP | No | 0 |
| | ACS Egress Control Enable RW operation is masked by bit 5 (<i>ACS P2P Egress Control</i>). 0 = Disables 1 = Enables | Downstream | RW | Yes | 0 |
| 22 | <i>Reserved</i> | Upstream | RsvdP | No | 0 |
| | ACS Direct Translated P2P Enable RW operation is masked by bit 6 (<i>ACS Direct Translated P2P</i>). 0 = Disables 1 = Enables | Downstream | RW | Yes | 0 |
| 31:23 | <i>Reserved</i> | | RsvdP | No | 0-0h |

Register 12-242. 98Ch ACS Port 1 Egress Control Vector (Only Ports 0, 4, and 8)

| Bit(s) | Description | Type | Serial EEPROM and I ² C | Default |
|--|--|-------|------------------------------------|---------|
| This register's RW bits are valid when the ACS Port 1 Control register <i>ACS Egress Control Enable</i> bit (offset 988h[21]) is Set. | | | | |
| 0 | Port 0 ACS Egress Control Vector 0 = No Peer-to-Peer control 1 = ACS Peer-to-Peer control | RW | Yes | 0 |
| 1 | Port 1 ACS Egress Control Vector 0 = No Peer-to-Peer control 1 = ACS Peer-to-Peer control | RW | Yes | 0 |
| 3:2 | Factory Test Only | RsvdP | No | 00b |
| 4 | Port 4 ACS Egress Control Vector 0 = No Peer-to-Peer control 1 = ACS Peer-to-Peer control | RW | Yes | 0 |
| 5 | Port 5 ACS Egress Control Vector 0 = No Peer-to-Peer control 1 = ACS Peer-to-Peer control | RW | Yes | 0 |
| 6 | Port 6 ACS Egress Control Vector 0 = No Peer-to-Peer control 1 = ACS Peer-to-Peer control | RW | Yes | 0 |
| 7 | Factory Test Only | RsvdP | No | 0 |
| 8 | Port 8 ACS Egress Control Vector 0 = No Peer-to-Peer control 1 = ACS Peer-to-Peer control | RW | Yes | 0 |
| 9 | Port 9 ACS Egress Control Vector 0 = No Peer-to-Peer control 1 = ACS Peer-to-Peer control | RW | Yes | 0 |
| 11:10 | Factory Test Only | RsvdP | No | 00b |
| 31:12 | Reserved | RsvdP | No | 0000_0h |

Register 12-243. 9A0h ACS Port 4 Control and Capability (Only Ports 0, 4, and 8)

| Bit(s) | Description | Ports | Type | Serial EEPROM and I ² C | Default |
|------------------------------|---|------------|-------|------------------------------------|---------|
| ACS Port 4 Capability | | | | | |
| 0 | <i>Reserved</i> | Upstream | RsvdP | No | 0 |
| | ACS Source Validation | Downstream | RO | Yes | 1 |
| 1 | <i>Reserved</i> | Upstream | RsvdP | No | 0 |
| | ACS Translation Blocking | Downstream | RO | Yes | 1 |
| 2 | <i>Reserved</i> | Upstream | RsvdP | No | 0 |
| | ACS P2P Request Redirect ACS Peer-to-Peer Request redirect. | Downstream | RO | Yes | 1 |
| 3 | <i>Reserved</i> | Upstream | RsvdP | No | 0 |
| | ACS P2P Completion Redirect ACS Peer-to-Peer Completion redirect. | Downstream | RO | Yes | 1 |
| 4 | <i>Reserved</i> | Upstream | RsvdP | No | 0 |
| | ACS Upstream Forwarding | Downstream | RO | Yes | 1 |
| 5 | <i>Reserved</i> | Upstream | RsvdP | No | 0 |
| | ACS P2P Egress Control ACS Peer-to-Peer Egress Control. | Downstream | RO | Yes | 1 |
| 6 | <i>Reserved</i> | Upstream | RsvdP | No | 0 |
| | ACS Direct Translated P2P ACS Direct Translated Peer-to-Peer. | Downstream | RO | Yes | 1 |
| 7 | <i>Reserved</i> | | RsvdP | No | 0 |
| 11:8 | <i>Reserved</i> | Upstream | RsvdP | No | 0 |
| | Egress Control Vector Size Port configuration-dependent. Sum of all Ports. Maximum value is Ch. <i>Note: The ACS Egress Control Vector Size value must be adjusted for the specific Port configuration.</i> | Downstream | RO | Yes | 10h |
| 15:12 | <i>Reserved</i> | | RsvdP | No | 0h |

Register 12-243. 9A0h ACS Port 4 Control and Capability (Only Ports 0, 4, and 8) (Cont.)

| Bit(s) | Description | Ports | Type | Serial EEPROM and I ² C | Default |
|---------------------------|--|------------|-------|------------------------------------|---------|
| ACS Port 4 Control | | | | | |
| 16 | <i>Reserved</i> | Upstream | RsvdP | No | 0 |
| | ACS Source Validation Enable RW operation is masked by bit 0 (<i>ACS Source Validation</i>). 0 = Disables 1 = Enables | Downstream | RW | Yes | 0 |
| 17 | <i>Reserved</i> | Upstream | RsvdP | No | 0 |
| | ACS Translation Blocking Enable RW operation is masked by bit 1 (<i>ACS Translation Blocking</i>). 0 = Disables 1 = Enables | Downstream | RW | Yes | 0 |
| 18 | <i>Reserved</i> | Upstream | RsvdP | No | 0 |
| | ACS P2P Request Redirect Enable RW operation is masked by bit 2 (<i>ACS P2P Request Redirect</i>). 0 = Disables 1 = Enables | Downstream | RW | Yes | 0 |
| 19 | <i>Reserved</i> | Upstream | RsvdP | No | 0 |
| | ACS P2P Completion Redirect Enable RW operation is masked by bit 3 (<i>ACS P2P Completion Redirect</i>). 0 = Disables 1 = Enables | Downstream | RW | Yes | 0 |

Register 12-243. 9A0h ACS Port 4 Control and Capability (Only Ports 0, 4, and 8) (Cont.)

| Bit(s) | Description | Ports | Type | Serial EEPROM and I ² C | Default |
|--------|--|------------|-------|------------------------------------|---------|
| 20 | <i>Reserved</i> | Upstream | RsvdP | No | 0 |
| | ACS Upstream Forwarding Enable RW operation is masked by bit 4 (<i>ACS Upstream Forwarding</i>). 0 = Disables 1 = Enables | Downstream | RW | Yes | 0 |
| 21 | <i>Reserved</i> | Upstream | RsvdP | No | 0 |
| | ACS Egress Control Enable RW operation is masked by bit 5 (<i>ACS P2P Egress Control</i>). 0 = Disables 1 = Enables | Downstream | RW | Yes | 0 |
| 22 | <i>Reserved</i> | Upstream | RsvdP | No | 0 |
| | ACS Direct Translated P2P Enable RW operation is masked by bit 6 (<i>ACS Direct Translated P2P</i>). 0 = Disables 1 = Enables | Downstream | RW | Yes | 0 |
| 31:23 | <i>Reserved</i> | | RsvdP | No | 0-0h |

Register 12-244. 9A4h ACS Port 4 Egress Control Vector (Only Ports 0, 4, and 8)

| Bit(s) | Description | Type | Serial EEPROM and I ² C | Default |
|--|--|-------|------------------------------------|---------|
| This register's RW bits are valid when the ACS Port 4 Control register <i>ACS Egress Control Enable</i> bit (offset 9A0h[21]) is Set. | | | | |
| 0 | Port 0 ACS Egress Control Vector 0 = No Peer-to-Peer control 1 = ACS Peer-to-Peer control | RW | Yes | 0 |
| 1 | Port 1 ACS Egress Control Vector 0 = No Peer-to-Peer control 1 = ACS Peer-to-Peer control | RW | Yes | 0 |
| 3:2 | Factory Test Only | RsvdP | No | 00b |
| 4 | Port 4 ACS Egress Control Vector 0 = No Peer-to-Peer control 1 = ACS Peer-to-Peer control | RW | Yes | 0 |
| 5 | Port 5 ACS Egress Control Vector 0 = No Peer-to-Peer control 1 = ACS Peer-to-Peer control | RW | Yes | 0 |
| 6 | Port 6 ACS Egress Control Vector 0 = No Peer-to-Peer control 1 = ACS Peer-to-Peer control | RW | Yes | 0 |
| 7 | Factory Test Only | RsvdP | No | 0 |
| 8 | Port 8 ACS Egress Control Vector 0 = No Peer-to-Peer control 1 = ACS Peer-to-Peer control | RW | Yes | 0 |
| 9 | Port 9 ACS Egress Control Vector 0 = No Peer-to-Peer control 1 = ACS Peer-to-Peer control | RW | Yes | 0 |
| 11:10 | Factory Test Only | RsvdP | No | 00b |
| 31:12 | Reserved | RsvdP | No | 0000_0h |

Register 12-245. 9A8h ACS Port 5 Control and Capability (Only Ports 0, 4, and 8)

| Bit(s) | Description | Ports | Type | Serial EEPROM and I ² C | Default |
|------------------------------|---|------------|-------|------------------------------------|---------|
| ACS Port 5 Capability | | | | | |
| 0 | <i>Reserved</i> | Upstream | RsvdP | No | 0 |
| | ACS Source Validation | Downstream | RO | Yes | 1 |
| 1 | <i>Reserved</i> | Upstream | RsvdP | No | 0 |
| | ACS Translation Blocking | Downstream | RO | Yes | 1 |
| 2 | <i>Reserved</i> | Upstream | RsvdP | No | 0 |
| | ACS P2P Request Redirect ACS Peer-to-Peer Request redirect. | Downstream | RO | Yes | 1 |
| 3 | <i>Reserved</i> | Upstream | RsvdP | No | 0 |
| | ACS P2P Completion Redirect ACS Peer-to-Peer Completion redirect. | Downstream | RO | Yes | 1 |
| 4 | <i>Reserved</i> | Upstream | RsvdP | No | 0 |
| | ACS Upstream Forwarding | Downstream | RO | Yes | 1 |
| 5 | <i>Reserved</i> | Upstream | RsvdP | No | 0 |
| | ACS P2P Egress Control ACS Peer-to-Peer Egress Control. | Downstream | RO | Yes | 1 |
| 6 | <i>Reserved</i> | Upstream | RsvdP | No | 0 |
| | ACS Direct Translated P2P ACS Direct Translated Peer-to-Peer. | Downstream | RO | Yes | 1 |
| 7 | <i>Reserved</i> | | RsvdP | No | 0 |
| 11:8 | <i>Reserved</i> | Upstream | RsvdP | No | 0 |
| | Egress Control Vector Size Port configuration-dependent. Sum of all Ports. Maximum value is Ch. <i>Note: The ACS Egress Control Vector Size value must be adjusted for the specific Port configuration.</i> | Downstream | RO | Yes | 10h |
| 15:12 | <i>Reserved</i> | | RsvdP | No | 0h |

Register 12-245. 9A8h ACS Port 5 Control and Capability (Only Ports 0, 4, and 8) (Cont.)

| Bit(s) | Description | Ports | Type | Serial EEPROM and I ² C | Default |
|---------------------------|--|------------|-------|------------------------------------|---------|
| ACS Port 5 Control | | | | | |
| 16 | <i>Reserved</i> | Upstream | RsvdP | No | 0 |
| | ACS Source Validation Enable RW operation is masked by bit 0 (<i>ACS Source Validation</i>). 0 = Disables 1 = Enables | Downstream | RW | Yes | 0 |
| 17 | <i>Reserved</i> | Upstream | RsvdP | No | 0 |
| | ACS Translation Blocking Enable RW operation is masked by bit 1 (<i>ACS Translation Blocking</i>). 0 = Disables 1 = Enables | Downstream | RW | Yes | 0 |
| 18 | <i>Reserved</i> | Upstream | RsvdP | No | 0 |
| | ACS P2P Request Redirect Enable RW operation is masked by bit 2 (<i>ACS P2P Request Redirect</i>). 0 = Disables 1 = Enables | Downstream | RW | Yes | 0 |
| 19 | <i>Reserved</i> | Upstream | RsvdP | No | 0 |
| | ACS P2P Completion Redirect Enable RW operation is masked by bit 3 (<i>ACS P2P Completion Redirect</i>). 0 = Disables 1 = Enables | Downstream | RW | Yes | 0 |

Register 12-245. 9A8h ACS Port 5 Control and Capability (Only Ports 0, 4, and 8) (Cont.)

| Bit(s) | Description | Ports | Type | Serial EEPROM and I ² C | Default |
|--------|--|------------|-------|------------------------------------|---------|
| 20 | <i>Reserved</i> | Upstream | RsvdP | No | 0 |
| | ACS Upstream Forwarding Enable RW operation is masked by bit 4 (<i>ACS Upstream Forwarding</i>). 0 = Disables 1 = Enables | Downstream | RW | Yes | 0 |
| 21 | <i>Reserved</i> | Upstream | RsvdP | No | 0 |
| | ACS Egress Control Enable RW operation is masked by bit 5 (<i>ACS P2P Egress Control</i>). 0 = Disables 1 = Enables | Downstream | RW | Yes | 0 |
| 22 | <i>Reserved</i> | Upstream | RsvdP | No | 0 |
| | ACS Direct Translated P2P Enable RW operation is masked by bit 6 (<i>ACS Direct Translated P2P</i>). 0 = Disables 1 = Enables | Downstream | RW | Yes | 0 |
| 31:23 | <i>Reserved</i> | | RsvdP | No | 0-0h |

Register 12-246. 9ACh ACS Port 5 Egress Control Vector (Only Ports 0, 4, and 8)

| Bit(s) | Description | Type | Serial EEPROM and I ² C | Default |
|--|--|-------|------------------------------------|---------|
| This register's RW bits are valid when the ACS Port 5 Control register <i>ACS Egress Control Enable</i> bit (offset 9A8h[21]) is Set. | | | | |
| 0 | Port 0 ACS Egress Control Vector 0 = No Peer-to-Peer control 1 = ACS Peer-to-Peer control | RW | Yes | 0 |
| 1 | Port 1 ACS Egress Control Vector 0 = No Peer-to-Peer control 1 = ACS Peer-to-Peer control | RW | Yes | 0 |
| 3:2 | Factory Test Only | RsvdP | No | 00b |
| 4 | Port 4 ACS Egress Control Vector 0 = No Peer-to-Peer control 1 = ACS Peer-to-Peer control | RW | Yes | 0 |
| 5 | Port 5 ACS Egress Control Vector 0 = No Peer-to-Peer control 1 = ACS Peer-to-Peer control | RW | Yes | 0 |
| 6 | Port 6 ACS Egress Control Vector 0 = No Peer-to-Peer control 1 = ACS Peer-to-Peer control | RW | Yes | 0 |
| 7 | Factory Test Only | RsvdP | No | 0 |
| 8 | Port 8 ACS Egress Control Vector 0 = No Peer-to-Peer control 1 = ACS Peer-to-Peer control | RW | Yes | 0 |
| 9 | Port 9 ACS Egress Control Vector 0 = No Peer-to-Peer control 1 = ACS Peer-to-Peer control | RW | Yes | 0 |
| 11:10 | Factory Test Only | RsvdP | No | 00b |
| 31:12 | Reserved | RsvdP | No | 0000_0h |

Register 12-247. 9B0h ACS Port 6 Control and Capability (Only Ports 0, 4, and 8)

| Bit(s) | Description | Ports | Type | Serial EEPROM and I ² C | Default |
|------------------------------|---|------------|-------|------------------------------------|---------|
| ACS Port 6 Capability | | | | | |
| 0 | <i>Reserved</i> | Upstream | RsvdP | No | 0 |
| | ACS Source Validation | Downstream | RO | Yes | 1 |
| 1 | <i>Reserved</i> | Upstream | RsvdP | No | 0 |
| | ACS Translation Blocking | Downstream | RO | Yes | 1 |
| 2 | <i>Reserved</i> | Upstream | RsvdP | No | 0 |
| | ACS P2P Request Redirect ACS Peer-to-Peer Request redirect. | Downstream | RO | Yes | 1 |
| 3 | <i>Reserved</i> | Upstream | RsvdP | No | 0 |
| | ACS P2P Completion Redirect ACS Peer-to-Peer Completion redirect. | Downstream | RO | Yes | 1 |
| 4 | <i>Reserved</i> | Upstream | RsvdP | No | 0 |
| | ACS Upstream Forwarding | Downstream | RO | Yes | 1 |
| 5 | <i>Reserved</i> | Upstream | RsvdP | No | 0 |
| | ACS P2P Egress Control ACS Peer-to-Peer Egress Control. | Downstream | RO | Yes | 1 |
| 6 | <i>Reserved</i> | Upstream | RsvdP | No | 0 |
| | ACS Direct Translated P2P ACS Direct Translated Peer-to-Peer. | Downstream | RO | Yes | 1 |
| 7 | <i>Reserved</i> | | RsvdP | No | 0 |
| 11:8 | <i>Reserved</i> | Upstream | RsvdP | No | 0 |
| | Egress Control Vector Size Port configuration-dependent. Sum of all Ports. Maximum value is Ch. <i>Note: The ACS Egress Control Vector Size value must be adjusted for the specific Port configuration.</i> | Downstream | RO | Yes | 10h |
| 15:12 | <i>Reserved</i> | | RsvdP | No | 0h |

Register 12-247. 9B0h ACS Port 6 Control and Capability (Only Ports 0, 4, and 8) (Cont.)

| Bit(s) | Description | Ports | Type | Serial EEPROM and I ² C | Default |
|---------------------------|--|------------|-------|------------------------------------|---------|
| ACS Port 6 Control | | | | | |
| 16 | <i>Reserved</i> | Upstream | RsvdP | No | 0 |
| | ACS Source Validation Enable RW operation is masked by bit 0 (<i>ACS Source Validation</i>). 0 = Disables 1 = Enables | Downstream | RW | Yes | 0 |
| 17 | <i>Reserved</i> | Upstream | RsvdP | No | 0 |
| | ACS Translation Blocking Enable RW operation is masked by bit 1 (<i>ACS Translation Blocking</i>). 0 = Disables 1 = Enables | Downstream | RW | Yes | 0 |
| 18 | <i>Reserved</i> | Upstream | RsvdP | No | 0 |
| | ACS P2P Request Redirect Enable RW operation is masked by bit 2 (<i>ACS P2P Request Redirect</i>). 0 = Disables 1 = Enables | Downstream | RW | Yes | 0 |
| 19 | <i>Reserved</i> | Upstream | RsvdP | No | 0 |
| | ACS P2P Completion Redirect Enable RW operation is masked by bit 3 (<i>ACS P2P Completion Redirect</i>). 0 = Disables 1 = Enables | Downstream | RW | Yes | 0 |

Register 12-247. 9B0h ACS Port 6 Control and Capability (Only Ports 0, 4, and 8) (Cont.)

| Bit(s) | Description | Ports | Type | Serial EEPROM and I ² C | Default |
|--------|--|------------|-------|------------------------------------|---------|
| 20 | <i>Reserved</i> | Upstream | RsvdP | No | 0 |
| | ACS Upstream Forwarding Enable RW operation is masked by bit 4 (<i>ACS Upstream Forwarding</i>). 0 = Disables 1 = Enables | Downstream | RW | Yes | 0 |
| 21 | <i>Reserved</i> | Upstream | RsvdP | No | 0 |
| | ACS Egress Control Enable RW operation is masked by bit 5 (<i>ACS P2P Egress Control</i>). 0 = Disables 1 = Enables | Downstream | RW | Yes | 0 |
| 22 | <i>Reserved</i> | Upstream | RsvdP | No | 0 |
| | ACS Direct Translated P2P Enable RW operation is masked by bit 6 (<i>ACS Direct Translated P2P</i>). 0 = Disables 1 = Enables | Downstream | RW | Yes | 0 |
| 31:23 | <i>Reserved</i> | | RsvdP | No | 0-0h |

Register 12-248. 9B4h ACS Port 6 Egress Control Vector (Only Ports 0, 4, and 8)

| Bit(s) | Description | Type | Serial EEPROM and I ² C | Default |
|--|--|-------|------------------------------------|---------|
| This register's RW bits are valid when the ACS Port 6 Control register <i>ACS Egress Control Enable</i> bit (offset 9B0h[21]) is Set. | | | | |
| 0 | Port 0 ACS Egress Control Vector 0 = No Peer-to-Peer control 1 = ACS Peer-to-Peer control | RW | Yes | 0 |
| 1 | Port 1 ACS Egress Control Vector 0 = No Peer-to-Peer control 1 = ACS Peer-to-Peer control | RW | Yes | 0 |
| 3:2 | Factory Test Only | RsvdP | No | 00b |
| 4 | Port 4 ACS Egress Control Vector 0 = No Peer-to-Peer control 1 = ACS Peer-to-Peer control | RW | Yes | 0 |
| 5 | Port 5 ACS Egress Control Vector 0 = No Peer-to-Peer control 1 = ACS Peer-to-Peer control | RW | Yes | 0 |
| 6 | Port 6 ACS Egress Control Vector 0 = No Peer-to-Peer control 1 = ACS Peer-to-Peer control | RW | Yes | 0 |
| 7 | Factory Test Only | RsvdP | No | 0 |
| 8 | Port 8 ACS Egress Control Vector 0 = No Peer-to-Peer control 1 = ACS Peer-to-Peer control | RW | Yes | 0 |
| 9 | Port 9 ACS Egress Control Vector 0 = No Peer-to-Peer control 1 = ACS Peer-to-Peer control | RW | Yes | 0 |
| 11:10 | Factory Test Only | RsvdP | No | 00b |
| 31:12 | Reserved | RsvdP | No | 0000_0h |

Register 12-249. 9C0h ACS Port 8 Control and Capability (Only Ports 0, 4, and 8)

| Bit(s) | Description | Ports | Type | Serial EEPROM and I ² C | Default |
|------------------------------|---|------------|-------|------------------------------------|---------|
| ACS Port 8 Capability | | | | | |
| 0 | <i>Reserved</i> | Upstream | RsvdP | No | 0 |
| | ACS Source Validation | Downstream | RO | Yes | 1 |
| 1 | <i>Reserved</i> | Upstream | RsvdP | No | 0 |
| | ACS Translation Blocking | Downstream | RO | Yes | 1 |
| 2 | <i>Reserved</i> | Upstream | RsvdP | No | 0 |
| | ACS P2P Request Redirect ACS Peer-to-Peer Request redirect. | Downstream | RO | Yes | 1 |
| 3 | <i>Reserved</i> | Upstream | RsvdP | No | 0 |
| | ACS P2P Completion Redirect ACS Peer-to-Peer Completion redirect. | Downstream | RO | Yes | 1 |
| 4 | <i>Reserved</i> | Upstream | RsvdP | No | 0 |
| | ACS Upstream Forwarding | Downstream | RO | Yes | 1 |
| 5 | <i>Reserved</i> | Upstream | RsvdP | No | 0 |
| | ACS P2P Egress Control ACS Peer-to-Peer Egress Control. | Downstream | RO | Yes | 1 |
| 6 | <i>Reserved</i> | Upstream | RsvdP | No | 0 |
| | ACS Direct Translated P2P ACS Direct Translated Peer-to-Peer. | Downstream | RO | Yes | 1 |
| 7 | <i>Reserved</i> | | RsvdP | No | 0 |
| 11:8 | <i>Reserved</i> | Upstream | RsvdP | No | 0 |
| | Egress Control Vector Size Port configuration-dependent. Sum of all Ports. Maximum value is Ch. <i>Note: The ACS Egress Control Vector Size value must be adjusted for the specific Port configuration.</i> | Downstream | RO | Yes | 10h |
| 15:12 | <i>Reserved</i> | | RsvdP | No | 0h |

Register 12-249. 9C0h ACS Port 8 Control and Capability (Only Ports 0, 4, and 8) (Cont.)

| Bit(s) | Description | Ports | Type | Serial EEPROM and I ² C | Default |
|---------------------------|--|------------|-------|------------------------------------|---------|
| ACS Port 8 Control | | | | | |
| 16 | <i>Reserved</i> | Upstream | RsvdP | No | 0 |
| | ACS Source Validation Enable RW operation is masked by bit 0 (<i>ACS Source Validation</i>). 0 = Disables 1 = Enables | Downstream | RW | Yes | 0 |
| 17 | <i>Reserved</i> | Upstream | RsvdP | No | 0 |
| | ACS Translation Blocking Enable RW operation is masked by bit 1 (<i>ACS Translation Blocking</i>). 0 = Disables 1 = Enables | Downstream | RW | Yes | 0 |
| 18 | <i>Reserved</i> | Upstream | RsvdP | No | 0 |
| | ACS P2P Request Redirect Enable RW operation is masked by bit 2 (<i>ACS P2P Request Redirect</i>). 0 = Disables 1 = Enables | Downstream | RW | Yes | 0 |
| 19 | <i>Reserved</i> | Upstream | RsvdP | No | 0 |
| | ACS P2P Completion Redirect Enable RW operation is masked by bit 3 (<i>ACS P2P Completion Redirect</i>). 0 = Disables 1 = Enables | Downstream | RW | Yes | 0 |

Register 12-249. 9C0h ACS Port 8 Control and Capability (Only Ports 0, 4, and 8) (Cont.)

| Bit(s) | Description | Ports | Type | Serial EEPROM and I ² C | Default |
|--------|--|------------|-------|------------------------------------|---------|
| 20 | <i>Reserved</i> | Upstream | RsvdP | No | 0 |
| | ACS Upstream Forwarding Enable RW operation is masked by bit 4 (<i>ACS Upstream Forwarding</i>). 0 = Disables 1 = Enables | Downstream | RW | Yes | 0 |
| 21 | <i>Reserved</i> | Upstream | RsvdP | No | 0 |
| | ACS Egress Control Enable RW operation is masked by bit 5 (<i>ACS P2P Egress Control</i>). 0 = Disables 1 = Enables | Downstream | RW | Yes | 0 |
| 22 | <i>Reserved</i> | Upstream | RsvdP | No | 0 |
| | ACS Direct Translated P2P Enable RW operation is masked by bit 6 (<i>ACS Direct Translated P2P</i>). 0 = Disables 1 = Enables | Downstream | RW | Yes | 0 |
| 31:23 | <i>Reserved</i> | | RsvdP | No | 0-0h |

Register 12-250. 9C4h ACS Port 8 Egress Control Vector (Only Ports 0, 4, and 8)

| Bit(s) | Description | Type | Serial EEPROM and I ² C | Default |
|--|--|-------|------------------------------------|---------|
| This register's RW bits are valid when the ACS Port 8 Control register <i>ACS Egress Control Enable</i> bit (offset 9C0h[21]) is Set. | | | | |
| 0 | Port 0 ACS Egress Control Vector 0 = No Peer-to-Peer control 1 = ACS Peer-to-Peer control | RW | Yes | 0 |
| 1 | Port 1 ACS Egress Control Vector 0 = No Peer-to-Peer control 1 = ACS Peer-to-Peer control | RW | Yes | 0 |
| 3:2 | Factory Test Only | RsvdP | No | 00b |
| 4 | Port 4 ACS Egress Control Vector 0 = No Peer-to-Peer control 1 = ACS Peer-to-Peer control | RW | Yes | 0 |
| 5 | Port 5 ACS Egress Control Vector 0 = No Peer-to-Peer control 1 = ACS Peer-to-Peer control | RW | Yes | 0 |
| 6 | Port 6 ACS Egress Control Vector 0 = No Peer-to-Peer control 1 = ACS Peer-to-Peer control | RW | Yes | 0 |
| 7 | Factory Test Only | RsvdP | No | 0 |
| 8 | Port 8 ACS Egress Control Vector 0 = No Peer-to-Peer control 1 = ACS Peer-to-Peer control | RW | Yes | 0 |
| 9 | Port 9 ACS Egress Control Vector 0 = No Peer-to-Peer control 1 = ACS Peer-to-Peer control | RW | Yes | 0 |
| 11:10 | Factory Test Only | RsvdP | No | 00b |
| 31:12 | Reserved | RsvdP | No | 0000_0h |

Register 12-251. 9C8h ACS Port 9 Control and Capability (Only Ports 0, 4, and 8)

| Bit(s) | Description | Ports | Type | Serial EEPROM and I ² C | Default |
|------------------------------|---|------------|-------|------------------------------------|---------|
| ACS Port 9 Capability | | | | | |
| 0 | <i>Reserved</i> | Upstream | RsvdP | No | 0 |
| | ACS Source Validation | Downstream | RO | Yes | 1 |
| 1 | <i>Reserved</i> | Upstream | RsvdP | No | 0 |
| | ACS Translation Blocking | Downstream | RO | Yes | 1 |
| 2 | <i>Reserved</i> | Upstream | RsvdP | No | 0 |
| | ACS P2P Request Redirect ACS Peer-to-Peer Request redirect. | Downstream | RO | Yes | 1 |
| 3 | <i>Reserved</i> | Upstream | RsvdP | No | 0 |
| | ACS P2P Completion Redirect ACS Peer-to-Peer Completion redirect. | Downstream | RO | Yes | 1 |
| 4 | <i>Reserved</i> | Upstream | RsvdP | No | 0 |
| | ACS Upstream Forwarding | Downstream | RO | Yes | 1 |
| 5 | <i>Reserved</i> | Upstream | RsvdP | No | 0 |
| | ACS P2P Egress Control ACS Peer-to-Peer Egress Control. | Downstream | RO | Yes | 1 |
| 6 | <i>Reserved</i> | Upstream | RsvdP | No | 0 |
| | ACS Direct Translated P2P ACS Direct Translated Peer-to-Peer. | Downstream | RO | Yes | 1 |
| 7 | <i>Reserved</i> | | RsvdP | No | 0 |
| 11:8 | <i>Reserved</i> | Upstream | RsvdP | No | 0 |
| | Egress Control Vector Size Port configuration-dependent. Sum of all Ports. Maximum value is Ch. <i>Note: The ACS Egress Control Vector Size value must be adjusted for the specific Port configuration.</i> | Downstream | RO | Yes | 10h |
| 15:12 | <i>Reserved</i> | | RsvdP | No | 0h |

Register 12-251. 9C8h ACS Port 9 Control and Capability (Only Ports 0, 4, and 8) (Cont.)

| Bit(s) | Description | Ports | Type | Serial EEPROM and I ² C | Default |
|---------------------------|--|------------|-------|------------------------------------|---------|
| ACS Port 9 Control | | | | | |
| 16 | <i>Reserved</i> | Upstream | RsvdP | No | 0 |
| | ACS Source Validation Enable RW operation is masked by bit 0 (<i>ACS Source Validation</i>). 0 = Disables 1 = Enables | Downstream | RW | Yes | 0 |
| 17 | <i>Reserved</i> | Upstream | RsvdP | No | 0 |
| | ACS Translation Blocking Enable RW operation is masked by bit 1 (<i>ACS Translation Blocking</i>). 0 = Disables 1 = Enables | Downstream | RW | Yes | 0 |
| 18 | <i>Reserved</i> | Upstream | RsvdP | No | 0 |
| | ACS P2P Request Redirect Enable RW operation is masked by bit 2 (<i>ACS P2P Request Redirect</i>). 0 = Disables 1 = Enables | Downstream | RW | Yes | 0 |
| 19 | <i>Reserved</i> | Upstream | RsvdP | No | 0 |
| | ACS P2P Completion Redirect Enable RW operation is masked by bit 3 (<i>ACS P2P Completion Redirect</i>). 0 = Disables 1 = Enables | Downstream | RW | Yes | 0 |

Register 12-251. 9C8h ACS Port 9 Control and Capability (Only Ports 0, 4, and 8) (Cont.)

| Bit(s) | Description | Ports | Type | Serial EEPROM and I ² C | Default |
|--------|---|------------|-------|------------------------------------|---------|
| 20 | <i>Reserved</i> | Upstream | RsvdP | No | 0 |
| | ACS Upstream Forwarding Enable RW operation is masked by bit 4 <i>(ACS Upstream Forwarding)</i> . 0 = Disables 1 = Enables | Downstream | RW | Yes | 0 |
| 21 | <i>Reserved</i> | Upstream | RsvdP | No | 0 |
| | ACS Egress Control Enable RW operation is masked by bit 5 <i>(ACS P2P Egress Control)</i> . 0 = Disables 1 = Enables | Downstream | RW | Yes | 0 |
| 22 | <i>Reserved</i> | Upstream | RsvdP | No | 0 |
| | ACS Direct Translated P2P Enable RW operation is masked by bit 6 <i>(ACS Direct Translated P2P)</i> . 0 = Disables 1 = Enables | Downstream | RW | Yes | 0 |
| 31:23 | <i>Reserved</i> | | RsvdP | No | 0-0h |

Register 12-252. 9CCh ACS Port 9 Egress Control Vector (Only Ports 0, 4, and 8)

| Bit(s) | Description | Type | Serial EEPROM and I ² C | Default |
|--|--|-------|------------------------------------|---------|
| This register's RW bits are valid when the ACS Port 9 Control register <i>ACS Egress Control Enable</i> bit (offset 9C8h[21]) is Set. | | | | |
| 0 | Port 0 ACS Egress Control Vector 0 = No Peer-to-Peer control 1 = ACS Peer-to-Peer control | RW | Yes | 0 |
| 1 | Port 1 ACS Egress Control Vector 0 = No Peer-to-Peer control 1 = ACS Peer-to-Peer control | RW | Yes | 0 |
| 3:2 | Factory Test Only | RsvdP | No | 00b |
| 4 | Port 4 ACS Egress Control Vector 0 = No Peer-to-Peer control 1 = ACS Peer-to-Peer control | RW | Yes | 0 |
| 5 | Port 5 ACS Egress Control Vector 0 = No Peer-to-Peer control 1 = ACS Peer-to-Peer control | RW | Yes | 0 |
| 6 | Port 6 ACS Egress Control Vector 0 = No Peer-to-Peer control 1 = ACS Peer-to-Peer control | RW | Yes | 0 |
| 7 | Factory Test Only | RsvdP | No | 0 |
| 8 | Port 8 ACS Egress Control Vector 0 = No Peer-to-Peer control 1 = ACS Peer-to-Peer control | RW | Yes | 0 |
| 9 | Port 9 ACS Egress Control Vector 0 = No Peer-to-Peer control 1 = ACS Peer-to-Peer control | RW | Yes | 0 |
| 11:10 | Factory Test Only | RsvdP | No | 00b |
| 31:12 | Reserved | RsvdP | No | 0000_0h |

12.16.10 Device-Specific Registers – Ingress Credit Handler Threshold (Offsets A00h – B7Ch)

This section details the Device-Specific Ingress Credit Handler (INCH) Threshold registers. **Changing credit values from default register values must be done carefully; otherwise the PEX 8624 will not properly function.** Refer to [Section 8.4, “Ingress Resources,”](#) and its sub-sections, for detailed information regarding rules associated with changing the **INCH Threshold** registers. [Table 12-51](#) defines the register map.

Table 12-51. Device-Specific INCH Threshold Register Map (Only Ports 0, 4, and 8, and also NT Port Virtual Interface if Port 0 is the NT Port)

| 31 30 29 28 27 26 25 24 23 22 21 20 19 18 17 16 | 15 14 13 12 11 10 9 8 7 6 5 4 3 2 1 0 | |
|---|---------------------------------------|-------------|
| INCH Threshold Station 0, Port 0 / Station 2, Port 8 VC0 Posted | | A00h |
| INCH Threshold Station 0, Port 0 / Station 2, Port 8 VC0 Non-Posted | | A04h |
| INCH Threshold Station 0, Port 0 / Station 2, Port 8 VC0 Completion | | A08h |
| <i>Reserved</i> | | A0Ch – A14h |
| INCH Threshold Station 0, Port 1 / Station 1, Port 5 / Station 2, Port 9 VC0 Posted | | A18h |
| INCH Threshold Station 0, Port 1 / Station 1, Port 5 / Station 2, Port 9 VC0 Non-Posted | | A1Ch |
| INCH Threshold Station 0, Port 1 / Station 1, Port 5 / Station 2, Port 9 VC0 Completion | | A20h |
| <i>Reserved</i> | | A24h – A2Ch |
| INCH Threshold Station 1, Port 6 VC0 Posted | | A30h |
| INCH Threshold Station 1, Port 6 VC0 Non-Posted | | A34h |
| INCH Threshold Station 1, Port 6 VC0 Completion | | A38h |
| <i>Factory Test Only</i> | | A3Ch – A50h |
| <i>Reserved</i> | | A54h – B7Ch |

Register 12-253. A00h, A18h, and A30h INCH Threshold Station x Port x VC0 Posted (Only Ports 0, 4, and 8, and also NT Port Virtual Interface if Port 0 is the NT Port)

| Bit(s) | Description | Type | Serial EEPROM and I ² C | Default | | | | | | | | | | | |
|--|---|-----------|--|---------|----|----|----------|-----------|-----------|------------|-----------|-----------|-----|-----|----------------|
| <p><i>Notes: Port 5 and Port 6 registers are accessed through software-only Port 4.</i></p> <p><i>Leave Port 4 register offset A00h at its default value (0h); otherwise, RAM will be allocated to unused Port 4.</i></p> <p>Posted credits are used for VC0 Memory Write and Message transactions.</p> <p>Station x Port x are Ports 0 and 1 for Station 0, Ports 5 and 6 for Station 1, and Ports 8 and 9 for Station 2. (Refer to Table 12-51.)</p> | | | | | | | | | | | | | | | |
| 2:0 | Reserved | RsvdP | No | 000b | | | | | | | | | | | |
| 8:3 | <p>Posted Payload Credit</p> <p>Default advertised Posted Payload credit. Actual value is dependent upon Link width and Port configuration. Bit resolution is in units of 8. Each increment provides 8 Posted Payload credits (<i>for example</i>, Ah = 80 Posted Payload credits). Each credit means that 16 bytes of storage are reserved for Posted TLP Payload data. The default value is based upon strapped/programmed Link width/configuration.</p> <table border="1"> <thead> <tr> <th rowspan="2">Port</th> <th colspan="2">Default Value (in Credits), by Strapped or Programmed Link Width</th> </tr> <tr> <th>x4</th> <th>x8</th> </tr> </thead> <tbody> <tr> <td>Upstream</td> <td>10h = 128</td> <td>10h = 128</td> </tr> <tr> <td>Downstream</td> <td>10h = 128</td> <td>12h = 144</td> </tr> </tbody> </table> | Port | Default Value (in Credits), by Strapped or Programmed Link Width | | x4 | x8 | Upstream | 10h = 128 | 10h = 128 | Downstream | 10h = 128 | 12h = 144 | RWS | Yes | Refer to Table |
| Port | Default Value (in Credits), by Strapped or Programmed Link Width | | | | | | | | | | | | | | |
| | x4 | x8 | | | | | | | | | | | | | |
| Upstream | 10h = 128 | 10h = 128 | | | | | | | | | | | | | |
| Downstream | 10h = 128 | 12h = 144 | | | | | | | | | | | | | |
| 15:9 | <p>Posted Header Credit</p> <p>Default advertised Posted Header credit. Actual value is dependent upon Link width and Port configuration. Bit resolution is 1 for 1. Each increment provides 1 Posted Header credit (<i>for example</i>, Ah = 10 Posted Header credits). Each credit means that storage is reserved for the entire Header of a Posted TLP. The default value is based upon strapped/programmed Link width/configuration.</p> <table border="1"> <thead> <tr> <th rowspan="2">Port</th> <th colspan="2">Default Value (in Credits), by Strapped or Programmed Link Width</th> </tr> <tr> <th>x4</th> <th>x8</th> </tr> </thead> <tbody> <tr> <td>Upstream</td> <td>10h = 16</td> <td>20h = 32</td> </tr> <tr> <td>Downstream</td> <td>19h = 25</td> <td>2Eh = 46</td> </tr> </tbody> </table> | Port | Default Value (in Credits), by Strapped or Programmed Link Width | | x4 | x8 | Upstream | 10h = 16 | 20h = 32 | Downstream | 19h = 25 | 2Eh = 46 | RWS | Yes | Refer to Table |
| Port | Default Value (in Credits), by Strapped or Programmed Link Width | | | | | | | | | | | | | | |
| | x4 | x8 | | | | | | | | | | | | | |
| Upstream | 10h = 16 | 20h = 32 | | | | | | | | | | | | | |
| Downstream | 19h = 25 | 2Eh = 46 | | | | | | | | | | | | | |
| <p>Upstream: x4 = 2080h x8 = 4080h</p> <p>Downstream: x4 = 3280h x8 = 5C90h</p> | | | | | | | | | | | | | | | |

**Register 12-253. A00h, A18h, and A30h INCH Threshold Station x Port x VC0 Posted
(Only Ports 0, 4, and 8, and also NT Port Virtual Interface if Port 0 is the NT Port) (Cont.)**

| Bit(s) | Description | Type | Serial EEPROM and I ² C | Default |
|--------|---|-------|------------------------------------|---------|
| 17:16 | <p>UpdateFC High-Priority Threshold for Posted Payload Credit Refer to Section 8.3.2, “UpdateFC DLLP Policy,” for details.</p> <p>00b = 75% (default) 01b = 50% 10b = 25% 11b = 100%</p> | RWS | Yes | 00b |
| 19:18 | <p>UpdateFC High-Priority Threshold for Posted Header Credit Refer to Section 8.3.2, “UpdateFC DLLP Policy,” for details.</p> <p>00b = 75% (default) 01b = 50% 10b = 25% 11b = 100%</p> | RWS | Yes | 00b |
| 22:20 | <p>Congested Port Weight If the effective rate setting times the negotiated Link width equates to less than x1 or greater than x8, the internal Credit Allocation logic rounds to x1 or x8, respectively. Refer to Section 8.4.5, “Credit Allocation When Common Pool Is Consumed,” for further details.</p> <p>000b = Request is weighted, based upon the Port’s Link width relative to the effective Link widths of the other Stations’ Ports</p> <p>001b = Increases the weight of a Request by 2x 010b = Increases the weight of a Request by 4x 011b = Increases the weight of a Request by 8x</p> <p>100b = Port receives no credit out of the common pool, until a decongested state is reached</p> <p>101b = Decreases the weight of a Request by 2x 110b = Decreases the weight of a Request by 4x 111b = Decreases the weight of a Request by 8x</p> | RWS | Yes | 000b |
| 31:23 | <i>Reserved</i> | RsvdP | No | 0-0h |

Register 12-254. A04h, A1Ch, and A34h INCH Threshold Station x Port x VC0 Non-Posted (Only Ports 0, 4, and 8, and also NT Port Virtual Interface if Port 0 is the NT Port)

| Bit(s) | Description | Type | Serial EEPROM and I ² C | Default | | | | | | | | | | | |
|--|---|----------|--|---------|----|----|----------|----------|----------|------------|----------|----------|-----|-----|----------------|
| <p><i>Notes: Port 5 and Port 6 registers are accessed through software-only Port 4.</i></p> <p><i>Leave Port 4 register offset A04h at its default value (0h); otherwise, RAM will be allocated to unused Port 4.</i></p> <p>Non-Posted credits are used for VC0 Memory Read, I/O Read, I/O Write, Configuration Read, and Configuration Write transactions. Station x Port x are Ports 0 and 1 for Station 0, Ports 5 and 6 for Station 1, and Ports 8 and 9 for Station 2. (Refer to Table 12-51.)</p> | | | | | | | | | | | | | | | |
| 8:0 | <p>Non-Posted Payload Credit</p> <p>The Non-Posted Payload is stored with the Non-Posted Header; therefore Non-Posted Payload credit is always available. Because of this, the PEX 8624 hardwires this field to 000h (infinite credits).</p> | RsvdP | No | 000h | | | | | | | | | | | |
| 15:9 | <p>Non-Posted Header Credit</p> <p>Default advertised Non-Posted Header credit. Actual value is dependent upon Link width and Port configuration. Bit resolution is 1 for 1. Each increment provides 1 Non-Posted Header credit (<i>for example</i>, Ah = 10 Non-Posted Header credits). Each credit means that storage is reserved for the entire Header of a Non-Posted TLP. The default value is based upon strapped/programmed Link width/configuration.</p> <table border="1"> <thead> <tr> <th rowspan="2">Port</th> <th colspan="2">Default Value (in Credits), by Strapped or Programmed Link Width</th> </tr> <tr> <th>x4</th> <th>x8</th> </tr> </thead> <tbody> <tr> <td>Upstream</td> <td>0Ch = 12</td> <td>16h = 22</td> </tr> <tr> <td>Downstream</td> <td>10h = 16</td> <td>1Dh = 29</td> </tr> </tbody> </table> | Port | Default Value (in Credits), by Strapped or Programmed Link Width | | x4 | x8 | Upstream | 0Ch = 12 | 16h = 22 | Downstream | 10h = 16 | 1Dh = 29 | RWS | Yes | Refer to Table |
| Port | Default Value (in Credits), by Strapped or Programmed Link Width | | | | | | | | | | | | | | |
| | x4 | x8 | | | | | | | | | | | | | |
| Upstream | 0Ch = 12 | 16h = 22 | | | | | | | | | | | | | |
| Downstream | 10h = 16 | 1Dh = 29 | | | | | | | | | | | | | |
| 17:16 | <i>Reserved</i> | RWS | Yes | 00b | | | | | | | | | | | |
| 19:18 | <p>UpdateFC High-Priority Threshold for Non-Posted Header Credit</p> <p>Refer to Section 8.3.2, “UpdateFC DLLP Policy,” for details.</p> <p>00b = 75% (default) 01b = 50% 10b = 25% 11b = 100%</p> | RWS | Yes | 00b | | | | | | | | | | | |
| 22:20 | <i>Not used</i> | RWS | Yes | 000b | | | | | | | | | | | |
| 23 | <i>Reserved</i> | RsvdP | No | 0 | | | | | | | | | | | |
| 29:24 | <i>Factory Test Only</i> | RWS | Yes | 0-0h | | | | | | | | | | | |
| 31:30 | <i>Factory Test Only</i> | RW1C | No | 00b | | | | | | | | | | | |

Register 12-255. A08h, A20h, and A38h INCH Threshold Station x Port x VC0 Completion (Only Ports 0, 4, and 8, and also NT Port Virtual Interface if Port 0 is the NT Port)

| Bit(s) | Description | Type | Serial EEPROM and I ² C | Default | | | | | | | | | | | |
|--|--|-----------|--|---------|----|----|----------|-----------|-----------|------------|-----------|-----------|-----|-----|----------------|
| <p><i>Notes: Port 5 and Port 6 registers are accessed through software-only Port 4.</i></p> <p><i>Leave Port 4 register offset A08h at its default value (0h); otherwise, RAM will be allocated to unused Port 4.</i></p> <p>Completion credits are used for VC0 Memory Read, I/O Read, I/O Write, Configuration Read, and Configuration Write transaction Completions.</p> <p>Station x Port x are Ports 0 and 1 for Station 0, Ports 5 and 6 for Station 1, and Ports 8 and 9 for Station 2. (Refer to Table 12-51.)</p> | | | | | | | | | | | | | | | |
| 2:0 | <i>Reserved</i> | RsvdP | No | 000b | | | | | | | | | | | |
| 8:3 | <p>Completion Payload Credit</p> <p>Default advertised Completion Payload credit. Actual value is dependent upon Link width and Port configuration.</p> <p>Bit resolution is in units of 8. Each increment provides 8 Completion Payload credits (<i>for example, Ah = 80 Completion Payload credits</i>). Each credit means that 16 bytes of storage are reserved for Completion TLP Payload data. The default value is based upon strapped/programmed Link width/configuration.</p> <table border="1"> <thead> <tr> <th rowspan="2">Port</th> <th colspan="2">Default Value (in Credits), by Strapped or Programmed Link Width</th> </tr> <tr> <th>x4</th> <th>x8</th> </tr> </thead> <tbody> <tr> <td>Upstream</td> <td>10h = 128</td> <td>10h = 128</td> </tr> <tr> <td>Downstream</td> <td>10h = 128</td> <td>12h = 144</td> </tr> </tbody> </table> | Port | Default Value (in Credits), by Strapped or Programmed Link Width | | x4 | x8 | Upstream | 10h = 128 | 10h = 128 | Downstream | 10h = 128 | 12h = 144 | RWS | Yes | Refer to Table |
| Port | Default Value (in Credits), by Strapped or Programmed Link Width | | | | | | | | | | | | | | |
| | x4 | x8 | | | | | | | | | | | | | |
| Upstream | 10h = 128 | 10h = 128 | | | | | | | | | | | | | |
| Downstream | 10h = 128 | 12h = 144 | | | | | | | | | | | | | |
| 15:9 | <p>Completion Header Credit</p> <p>Default advertised Completion Header credit. Actual value is dependent upon Link width and Port configuration.</p> <p>Bit resolution is 1 for 1. Each increment provides 1 Completion Header credit (<i>for example, Ah = 10 Completion Header credits</i>). Each credit means that storage is reserved for the entire Header of a Completion TLP. The default value is based upon strapped/programmed Link width/configuration.</p> <table border="1"> <thead> <tr> <th rowspan="2">Port</th> <th colspan="2">Default Value (in Credits), by Strapped or Programmed Link Width</th> </tr> <tr> <th>x4</th> <th>x8</th> </tr> </thead> <tbody> <tr> <td>Upstream</td> <td>12h = 18</td> <td>20h = 32</td> </tr> <tr> <td>Downstream</td> <td>0Ch = 12</td> <td>16h = 22</td> </tr> </tbody> </table> | Port | Default Value (in Credits), by Strapped or Programmed Link Width | | x4 | x8 | Upstream | 12h = 18 | 20h = 32 | Downstream | 0Ch = 12 | 16h = 22 | RWS | Yes | Refer to Table |
| Port | Default Value (in Credits), by Strapped or Programmed Link Width | | | | | | | | | | | | | | |
| | x4 | x8 | | | | | | | | | | | | | |
| Upstream | 12h = 18 | 20h = 32 | | | | | | | | | | | | | |
| Downstream | 0Ch = 12 | 16h = 22 | | | | | | | | | | | | | |

Upstream:
x4 = 2480h
x8 = 4090h

Downstream:
x4 = 1880h
x8 = 2C80h

Register 12-255. A08h, A20h, and A38h INCH Threshold Station x Port x VC0 Completion (Only Ports 0, 4, and 8, and also NT Port Virtual Interface if Port 0 is the NT Port) (Cont.)

| Bit(s) | Description | Type | Serial EEPROM and I ² C | Default |
|--------|--|-------|------------------------------------|---------|
| 17:16 | UpdateFC High-Priority Threshold for Completion Payload Credit 00b = 75% (default) 01b = 50% 10b = 25% 11b = 100% | RWS | Yes | 00b |
| 19:18 | UpdateFC High-Priority Threshold for Completion Header Credit 00b = 75% (default) 01b = 50% 10b = 25% 11b = 100% | RWS | Yes | 00b |
| 22:20 | <i>Not used</i> | RWS | Yes | 000b |
| 31:23 | <i>Reserved</i> | RsvdP | No | 0-0h |

12.16.11 Device-Specific Registers – SerDes Support (Offsets B80h – BFCh)

This section details the Device-Specific SerDes Support registers. [Table 12-52](#) defines the register map. [Table 12-53](#) defines the relationship between the SerDes Support registers' Port 0, 4, or 8 parameters and SerDes modules and Lanes, when all Ports are enabled. SerDes modules and Lanes marked “*Factory Test Only*” are associated with bits that are RsvdP and not serial EEPROM nor I²C writable.

Table 12-52. Device-Specific SerDes Support Register Map (Only Ports 0, 4, and 8, and also NT Port Virtual Interface if Port 0 is the NT Port)

| 31 30 29 28 27 26 25 24 23 22 21 20 19 18 17 16 | 15 14 13 12 11 10 9 8 7 6 5 4 3 2 1 0 | |
|---|---------------------------------------|----------------|
| <i>Reserved</i> | | SerDes Control |
| | | B80h |
| SerDes Drive Level 0 | | B84h |
| SerDes Drive Level 1 | | B88h |
| SerDes Drive Level 2 | | B8Ch |
| SerDes Drive Level 3 | | B90h |
| Post-Cursor Emphasis Level 0 | | B94h |
| Post-Cursor Emphasis Level 1 | | B98h |
| Post-Cursor Emphasis Level 2 | | B9Ch |
| Post-Cursor Emphasis Level 3 | | BA0h |
| Receiver Equalization Level 0 | | BA4h |
| Receiver Equalization Level 1 | | BA8h |
| Signal Detect Level | | BACH |
| <i>Factory Test Only</i> | | BB0h – BF4h |
| <i>Reserved</i> | | BF8h – BFCh |

Note: The six PEX 8624 Ports that connect to PCI Express Transmitters and Receivers are Ports 0, 1, 5, 6, 8, and 9, and each Port has its own set of registers. An additional set of Port 4 registers is visible to software, although the Port is not connected to external signals. The Port 4 registers include:

- Other Device-Specific registers.
- “Station” registers, that control all Ports in Station 1 (Ports 5 and 6), and are identical to the corresponding Port 0 registers that control all Ports in Station 0 (Ports 0 and 1) and Port 8 registers that control all Ports in Station 2 (Ports 8 and 9). The Station registers include Physical Layer registers, Device-Specific Error registers, and internal mapping (CAM) registers.

Table 12-53. Port/Physical Lane/SerDes Module/Station/SerDes Quad Relationship, when All Ports Are Enabled, for Offsets B84h through BACH

| Physical Lanes and SerDes Modules, by Port | | | | | | SerDes Quad |
|--|-----------------------------------|-------------------|-----------------------------------|-------------------|-----------------------------------|-------------|
| Station 0, Port 0 | | Station 1, Port 4 | | Station 2, Port 8 | | |
| Port | Physical Lanes and SerDes Modules | Port | Physical Lanes and SerDes Modules | Port | Physical Lanes and SerDes Modules | |
| 0 | 0-3 | – | <i>Factory Test Only</i> | 8 | 32-35 | 0 |
| 1 | 4-7 | – | <i>Factory Test Only</i> | 9 | 36-39 | 1 |
| – | <i>Factory Test Only</i> | 5 | 24-27 | – | <i>Factory Test Only</i> | 2 |
| – | <i>Factory Test Only</i> | 6 | 28-31 | – | <i>Factory Test Only</i> | 3 |

Register 12-256. B80h SerDes Control (Only Ports 0, 4, and 8, and also NT Port Virtual Interface if Port 0 is the NT Port)

| Bit(s) | Description | Type | Serial EEPROM and I ² C | Default |
|---|---|-------|------------------------------------|----------|
| This register controls SerDes logic parameters. | | | | |
| 2:0 | Receiver Detect Time Select Selects the Receiver Detect timing. 000b = 1.0 μ s 001b = 2.0 μ s 010b = 4.0 μ s (default) 011b = 5.0 μ s 100b = 10.0 μ s 101b = 20.0 μ s 110b = 40.0 μ s 111b = 50.0 μ s | RWS | Yes | 010b |
| 3 | Reserved | RsvdP | No | 0 |
| 6:4 | Factory Test Only | RWS | Yes | 111b |
| 7 | Electrical Idle Detect Disable 1 = Electrical Idle Detect circuit is disabled on all SerDes | RWS | Yes | 0 |
| 31:8 | Reserved | RsvdP | No | 0000_00h |

Register 12-257. B84h SerDes Drive Level 0 (Only Ports 0, 4, and 8 (Port 4 is *Factory Test Only*), and also NT Port Virtual Interface if Port 0 is the NT Port)

| Bit(s) | Description | Type | Serial EEPROM and I ² C | Default |
|---|---|-------|------------------------------------|---|
| <p>The default value of this register, when combined with the Post-Cursor Emphasis Level 0 register (Ports 0, 4, and 8, and also NT Port Virtual Interface if Port 0 is the NT Port, offset B94h) default value, provides -3.5 dB of de-emphasis. However, it is also a Status register with provisional read-back data.</p> <p>The power-up reset default values of this register correspond to -3.5 dB drive levels, and can be overwritten by serial EEPROM or Configuration Space register transactions. However, when read back, the returned data always represents the current value being applied to the Lane. That is because the Write Data value is written into a holding register for the -3.5 dB value, but cannot be directly read from the register. The Read Data value is always sourced from an active Drive register that is loaded dynamically upon de-emphasis changes.</p> <p>Notes: Refer to Table 12-53 for the relationship between the Port 0, 4, or 8 parameters and SerDes modules and Lanes. SerDes modules and Lanes marked “Factory Test Only” are associated with bits that are RsvdP and not serial EEPROM nor I²C writable.</p> <p>Refer to Section 17.7, “Transmit Drive Characteristics,” for a complete breakout of the default values, and their relationship with the Post-Cursor Emphasis Level 0.</p> | | | | |
| 4:0 | <p>SerDes 0 or 32 Drive Level</p> <p>If 5.0 GT/s -6 dB is selected (Port’s Link Control 2 register <i>Selectable De-Emphasis</i> bit, offset 98h[6], is Cleared, provided that the Current Link Speed is 5.0 GT/s (Port’s Link Status register <i>Current Link Speed</i> field, offset 78h[19:16], is programmed to 0010b), this register is automatically loaded with default value 0Dh (Silicon Revision AA) or 0Eh (Silicon Revisions AB and BB).</p> <p>Note: <i>Silicon Revisions AB and BB only – Bits 0 and 1 of this register are swapped when written. Therefore, bits 0 and 1 of the intended value must be swapped prior to writing to this register. The value read from this register reflects the actual value that is used.</i></p> | RWS | Yes | <p>Silicon Revision AA: 0Fh (2.5 GT/s, -3.5 dB)</p> <p>0Dh (5.0 GT/s, -6 dB)</p> <p>Silicon Revisions AB and BB: 0Fh (2.5 GT/s, -3.5 dB)</p> <p>0Eh (5.0 GT/s, -6 dB)</p> |
| 6:5 | Reserved | RsvdP | No | 00b |
| 7 | SerDes 0 or 32 Auto Load Disable | RWS | Yes | 0 |
| 12:8 | <p>SerDes 1 or 33 Drive Level</p> <p>If 5.0 GT/s -6 dB is selected (Port’s Link Control 2 register <i>Selectable De-Emphasis</i> bit, offset 98h[6], is Cleared, provided that the Current Link Speed is 5.0 GT/s (Port’s Link Status register <i>Current Link Speed</i> field, offset 78h[19:16], is programmed to 0010b), this register is automatically loaded with default value 0Dh (Silicon Revision AA) or 0Eh (Silicon Revisions AB and BB).</p> <p>Note: <i>Silicon Revisions AB and BB only – Bits 8 and 9 of this register are swapped when written. Therefore, bits 8 and 9 of the intended value must be swapped prior to writing to this register. The value read from this register reflects the actual value that is used.</i></p> | RWS | Yes | <p>Silicon Revision AA: 0Fh (2.5 GT/s, -3.5 dB)</p> <p>0Dh (5.0 GT/s, -6 dB)</p> <p>Silicon Revisions AB and BB: 0Fh (2.5 GT/s, -3.5 dB)</p> <p>0Eh (5.0 GT/s, -6 dB)</p> |
| 14:13 | Reserved | RsvdP | No | 00b |
| 15 | SerDes 1 or 33 Auto Load Disable | RWS | Yes | 0 |

Register 12-257. B84h SerDes Drive Level 0 (Only Ports 0, 4, and 8 (Port 4 is *Factory Test Only*), and also NT Port Virtual Interface if Port 0 is the NT Port) (Cont.)

| Bit(s) | Description | Type | Serial EEPROM and I ² C | Default |
|--------|--|-------|------------------------------------|---|
| 20:16 | <p>SerDes 2 or 34 Drive Level</p> <p>If 5.0 GT/s -6 dB is selected (Port's Link Control 2 register <i>Selectable De-Emphasis</i> bit, offset 98h[6], is Cleared, provided that the Current Link Speed is 5.0 GT/s (Port's Link Status register <i>Current Link Speed</i> field, offset 78h[19:16], is programmed to 0010b)), this register is automatically loaded with default value 0Dh (Silicon Revision AA) or 0Eh (Silicon Revisions AB and BB).</p> <p><i>Note: Silicon Revisions AB and BB only – Bits 16 and 17 of this register are swapped when written. Therefore, bits 16 and 17 of the intended value must be swapped prior to writing to this register. The value read from this register reflects the actual value that is used.</i></p> | RWS | Yes | <p>Silicon Revision AA: 0Fh (2.5 GT/s, -3.5 dB)</p> <p>0Dh (5.0 GT/s, -6 dB)</p> <p>Silicon Revisions AB and BB: 0Fh (2.5 GT/s, -3.5 dB)</p> <p>0Eh (5.0 GT/s, -6 dB)</p> |
| 22:21 | Reserved | RsvdP | No | 00b |
| 23 | SerDes 2 or 34 Auto Load Disable | RWS | Yes | 0 |
| 28:24 | <p>SerDes 3 or 35 Drive Level</p> <p>If 5.0 GT/s -6 dB is selected (Port's Link Control 2 register <i>Selectable De-Emphasis</i> bit, offset 98h[6], is Cleared, provided that the Current Link Speed is 5.0 GT/s (Port's Link Status register <i>Current Link Speed</i> field, offset 78h[19:16], is programmed to 0010b)), this register is automatically loaded with default value 0Dh (Silicon Revision AA) or 0Eh (Silicon Revisions AB and BB).</p> <p><i>Note: Silicon Revisions AB and BB only – Bits 24 and 25 of this register are swapped when written. Therefore, bits 24 and 25 of the intended value must be swapped prior to writing to this register. The value read from this register reflects the actual value that is used.</i></p> | RWS | Yes | <p>Silicon Revision AA: 0Fh (2.5 GT/s, -3.5 dB)</p> <p>0Dh (5.0 GT/s, -6 dB)</p> <p>Silicon Revisions AB and BB: 0Fh (2.5 GT/s, -3.5 dB)</p> <p>0Eh (5.0 GT/s, -6 dB)</p> |
| 30:29 | Reserved | RsvdP | No | 00b |
| 31 | SerDes 3 or 35 Auto Load Disable | RWS | Yes | 0 |

Register 12-258. B88h SerDes Drive Level 1 (Only Ports 0, 4, and 8 (Port 4 is *Factory Test Only*), and also NT Port Virtual Interface if Port 0 is the NT Port)

| Bit(s) | Description | Type | Serial EEPROM and I ² C | Default |
|--|--|-------|------------------------------------|---|
| <p>The default value of this register, when combined with the Post-Cursor Emphasis Level 1 register (Ports 0, 4, and 8, and also NT Port Virtual Interface if Port 0 is the NT Port, offset B98h) default value, provides -3.5 dB of de-emphasis. However, it is also a Status register with provisional read-back data.</p> <p>The power-up reset default values of this register correspond to -3.5 dB drive levels, and can be overwritten by serial EEPROM or Configuration Space register transactions. However, when read back, the returned data always represents the current value being applied to the Lane. That is because the Write Data value is written into a holding register for the -3.5 dB value, but cannot be directly read from the register. The Read Data value is always sourced from an active Drive register that is loaded dynamically upon de-emphasis changes.</p> <p><i>Notes: Refer to Table 12-53 for the relationship between the Port 0, 4, or 8 parameters and SerDes modules and Lanes. SerDes modules and Lanes marked “Factory Test Only” are associated with bits that are RsvdP and not serial EEPROM nor I²C writable.</i></p> <p><i>Refer to Section 17.7, “Transmit Drive Characteristics,” for a complete breakout of the default values, and their relationship with the Post-Cursor Emphasis Level 1 register.</i></p> | | | | |
| 4:0 | <p>SerDes 4 or 36 Drive Level</p> <p>If 5.0 GT/s -6 dB is selected (Port’s Link Control 2 register Selectable De-Emphasis bit, offset 98h[6], is Cleared, provided that the Current Link Speed is 5.0 GT/s (Port’s Link Status register Current Link Speed field, offset 78h[19:16], is programmed to 0010b), this register is automatically loaded with default value 0Dh (Silicon Revision AA) or 0Eh (Silicon Revisions AB and BB).</p> <p><i>Note: Silicon Revisions AB and BB only – Bits 0 and 1 of this register are swapped when written. Therefore, bits 0 and 1 of the intended value must be swapped prior to writing to this register. The value read from this register reflects the actual value that is used.</i></p> | RWS | Yes | <p>Silicon Revision AA: 0Fh (2.5 GT/s, -3.5 dB)</p> <p>0Dh (5.0 GT/s, -6 dB)</p> <p>Silicon Revisions AB and BB: 0Fh (2.5 GT/s, -3.5 dB)</p> <p>0Eh (5.0 GT/s, -6 dB)</p> |
| 6:5 | Reserved | RsvdP | No | 00b |
| 7 | SerDes 4 or 36 Auto Load Disable | RWS | Yes | 0 |
| 12:8 | <p>SerDes 5 or 37 Drive Level</p> <p>If 5.0 GT/s -6 dB is selected (Port’s Link Control 2 register Selectable De-Emphasis bit, offset 98h[6], is Cleared, provided that the Current Link Speed is 5.0 GT/s (Port’s Link Status register Current Link Speed field, offset 78h[19:16], is programmed to 0010b), this register is automatically loaded with default value 0Dh (Silicon Revision AA) or 0Eh (Silicon Revisions AB and BB).</p> <p><i>Note: Silicon Revisions AB and BB only – Bits 8 and 9 of this register are swapped when written. Therefore, bits 8 and 9 of the intended value must be swapped prior to writing to this register. The value read from this register reflects the actual value that is used.</i></p> | RWS | Yes | <p>Silicon Revision AA: 0Fh (2.5 GT/s, -3.5 dB)</p> <p>0Dh (5.0 GT/s, -6 dB)</p> <p>Silicon Revisions AB and BB: 0Fh (2.5 GT/s, -3.5 dB)</p> <p>0Eh (5.0 GT/s, -6 dB)</p> |
| 14:13 | Reserved | RsvdP | No | 00b |
| 15 | SerDes 5 or 37 Auto Load Disable | RWS | Yes | 0 |

Register 12-258. B88h SerDes Drive Level 1 (Only Ports 0, 4, and 8 (Port 4 is *Factory Test Only*), and also NT Port Virtual Interface if Port 0 is the NT Port) (Cont.)

| Bit(s) | Description | Type | Serial EEPROM and I ² C | Default |
|--------|--|-------|------------------------------------|---|
| 20:16 | <p>SerDes 6 or 38 Drive Level</p> <p>If 5.0 GT/s -6 dB is selected (Port's Link Control 2 register <i>Selectable De-Emphasis</i> bit, offset 98h[6], is Cleared, provided that the Current Link Speed is 5.0 GT/s (Port's Link Status register <i>Current Link Speed</i> field, offset 78h[19:16], is programmed to 0010b)), this register is automatically loaded with default value 0Dh (Silicon Revision AA) or 0Eh (Silicon Revisions AB and BB).</p> <p><i>Note: Silicon Revisions AB and BB only – Bits 16 and 17 of this register are swapped when written. Therefore, bits 16 and 17 of the intended value must be swapped prior to writing to this register. The value read from this register reflects the actual value that is used.</i></p> | RWS | Yes | <p>Silicon Revision AA: 0Fh (2.5 GT/s, -3.5 dB)</p> <p>0Dh (5.0 GT/s, -6 dB)</p> <p>Silicon Revisions AB and BB: 0Fh (2.5 GT/s, -3.5 dB)</p> <p>0Eh (5.0 GT/s, -6 dB)</p> |
| 22:21 | Reserved | RsvdP | No | 00b |
| 23 | SerDes 6 or 38 Auto Load Disable | RWS | Yes | 0 |
| 28:24 | <p>SerDes 7 or 39 Drive Level</p> <p>If 5.0 GT/s -6 dB is selected (Port's Link Control 2 register <i>Selectable De-Emphasis</i> bit, offset 98h[6], is Cleared, provided that the Current Link Speed is 5.0 GT/s (Port's Link Status register <i>Current Link Speed</i> field, offset 78h[19:16], is programmed to 0010b)), this register is automatically loaded with default value 0Dh (Silicon Revision AA) or 0Eh (Silicon Revisions AB and BB).</p> <p><i>Note: Silicon Revisions AB and BB only – Bits 24 and 25 of this register are swapped when written. Therefore, bits 24 and 25 of the intended value must be swapped prior to writing to this register. The value read from this register reflects the actual value that is used.</i></p> | RWS | Yes | <p>Silicon Revision AA: 0Fh (2.5 GT/s, -3.5 dB)</p> <p>0Dh (5.0 GT/s, -6 dB)</p> <p>Silicon Revisions AB and BB: 0Fh (2.5 GT/s, -3.5 dB)</p> <p>0Eh (5.0 GT/s, -6 dB)</p> |
| 30:29 | Reserved | RsvdP | No | 00b |
| 31 | SerDes 7 or 39 Auto Load Disable | RWS | Yes | 0 |

Register 12-259. B8Ch SerDes Drive Level 2 (Only Ports 0, 4, and 8 (Ports 0 and 8 are *Factory Test Only*), and also NT Port Virtual Interface if Port 0 is the NT Port)

| Bit(s) | Description | Type | Serial EEPROM and I ² C | Default |
|--|---|-------|------------------------------------|---|
| <p>The default value of this register, when combined with the Post-Cursor Emphasis Level 2 register (Ports 0, 4, and 8, and also NT Port Virtual Interface if Port 0 is the NT Port, offset B9Ch) default value, provides -3.5 dB of de-emphasis. However, it is also a Status register with provisional read-back data.</p> <p>The power-up reset default values of this register correspond to -3.5 dB drive levels, and can be overwritten by serial EEPROM or Configuration Space register transactions. However, when read back, the returned data always represents the current value being applied to the Lane. That is because the Write Data value is written into a holding register for the -3.5 dB value, but cannot be directly read from the register. The Read Data value is always sourced from an active Drive register that is loaded dynamically upon de-emphasis changes.</p> <p>Notes: Refer to Table 12-53 for the relationship between the Port 0, 4, or 8 parameters and SerDes modules and Lanes. SerDes modules and Lanes marked “Factory Test Only” are associated with bits that are RsvdP and not serial EEPROM nor I²C writable.</p> <p>Refer to Section 17.7, “Transmit Drive Characteristics,” for a complete breakout of the default values, and their relationship with the Post-Cursor Emphasis Level 2 register.</p> | | | | |
| 4:0 | <p>SerDes 24 Drive Level</p> <p>If 5.0 GT/s -6 dB is selected (Port’s Link Control 2 register Selectable De-Emphasis bit, offset 98h[6], is Cleared, provided that the Current Link Speed is 5.0 GT/s (Port’s Link Status register Current Link Speed field, offset 78h[19:16], is programmed to 0010b), this register is automatically loaded with default value 0Dh (Silicon Revision AA) or 0Eh (Silicon Revisions AB and BB).</p> <p>Note: <i>Silicon Revisions AB and BB only – Bits 0 and 1 of this register are swapped when written. Therefore, bits 0 and 1 of the intended value must be swapped prior to writing to this register. The value read from this register reflects the actual value that is used.</i></p> | RWS | Yes | <p>Silicon Revision AA: 0Fh (2.5 GT/s, -3.5 dB)</p> <p>0Dh (5.0 GT/s, -6 dB)</p> <p>Silicon Revisions AB and BB: 0Fh (2.5 GT/s, -3.5 dB)</p> <p>0Eh (5.0 GT/s, -6 dB)</p> |
| 6:5 | Reserved | RsvdP | No | 00b |
| 7 | SerDes 24 Auto Load Disable | RWS | Yes | 0 |
| 12:8 | <p>SerDes 25 Drive Level</p> <p>If 5.0 GT/s -6 dB is selected (Port’s Link Control 2 register Selectable De-Emphasis bit, offset 98h[6], is Cleared, provided that the Current Link Speed is 5.0 GT/s (Port’s Link Status register Current Link Speed field, offset 78h[19:16], is programmed to 0010b), this register is automatically loaded with default value 0Dh (Silicon Revision AA) or 0Eh (Silicon Revisions AB and BB).</p> <p>Note: <i>Silicon Revisions AB and BB only – Bits 8 and 9 of this register are swapped when written. Therefore, bits 8 and 9 of the intended value must be swapped prior to writing to this register. The value read from this register reflects the actual value that is used.</i></p> | RWS | Yes | <p>Silicon Revision AA: 0Fh (2.5 GT/s, -3.5 dB)</p> <p>0Dh (5.0 GT/s, -6 dB)</p> <p>Silicon Revisions AB and BB: 0Fh (2.5 GT/s, -3.5 dB)</p> <p>0Eh (5.0 GT/s, -6 dB)</p> |
| 14:13 | Reserved | RsvdP | No | 00b |
| 15 | SerDes 25 Auto Load Disable | RWS | Yes | 0 |

Register 12-259. B8Ch SerDes Drive Level 2 (Only Ports 0, 4, and 8 (Ports 0 and 8 are *Factory Test Only*), and also NT Port Virtual Interface if Port 0 is the NT Port) (Cont.)

| Bit(s) | Description | Type | Serial EEPROM and I ² C | Default |
|--------|---|-------|------------------------------------|---|
| 20:16 | <p>SerDes 26 Drive Level</p> <p>If 5.0 GT/s -6 dB is selected (Port's Link Control 2 register <i>Selectable De-Emphasis</i> bit, offset 98h[6], is Cleared, provided that the Current Link Speed is 5.0 GT/s (Port's Link Status register <i>Current Link Speed</i> field, offset 78h[19:16], is programmed to 0010b)), this register is automatically loaded with default value 0Dh (Silicon Revision AA) or 0Eh (Silicon Revisions AB and BB).</p> <p><i>Note: Silicon Revisions AB and BB only – Bits 16 and 17 of this register are swapped when written. Therefore, bits 16 and 17 of the intended value must be swapped prior to writing to this register. The value read from this register reflects the actual value that is used.</i></p> | RWS | Yes | <p>Silicon Revision AA: 0Fh (2.5 GT/s, -3.5 dB)</p> <p>0Dh (5.0 GT/s, -6 dB)</p> <p>Silicon Revisions AB and BB: 0Fh (2.5 GT/s, -3.5 dB)</p> <p>0Eh (5.0 GT/s, -6 dB)</p> |
| 22:21 | Reserved | RsvdP | No | 00b |
| 23 | SerDes 26 Auto Load Disable | RWS | Yes | 0 |
| 28:24 | <p>SerDes 27 Drive Level</p> <p>If 5.0 GT/s -6 dB is selected (Port's Link Control 2 register <i>Selectable De-Emphasis</i> bit, offset 98h[6], is Cleared, provided that the Current Link Speed is 5.0 GT/s (Port's Link Status register <i>Current Link Speed</i> field, offset 78h[19:16], is programmed to 0010b)), this register is automatically loaded with default value 0Dh (Silicon Revision AA) or 0Eh (Silicon Revisions AB and BB).</p> <p><i>Note: Silicon Revisions AB and BB only – Bits 24 and 25 of this register are swapped when written. Therefore, bits 24 and 25 of the intended value must be swapped prior to writing to this register. The value read from this register reflects the actual value that is used.</i></p> | RWS | Yes | <p>Silicon Revision AA: 0Fh (2.5 GT/s, -3.5 dB)</p> <p>0Dh (5.0 GT/s, -6 dB)</p> <p>Silicon Revisions AB and BB: 0Fh (2.5 GT/s, -3.5 dB)</p> <p>0Eh (5.0 GT/s, -6 dB)</p> |
| 30:29 | Reserved | RsvdP | No | 00b |
| 31 | SerDes 27 Auto Load Disable | RWS | Yes | 0 |

Register 12-260. B90h SerDes Drive Level 3 (Only Ports 0, 4, and 8 (Ports 0 and 8 are *Factory Test Only*), and also NT Port Virtual Interface if Port 0 is the NT Port)

| Bit(s) | Description | Type | Serial EEPROM and I ² C | Default |
|--|--|-------|------------------------------------|---|
| <p>The default value of this register, when combined with the Post-Cursor Emphasis Level 3 register (Ports 0, 4, and 8, and also NT Port Virtual Interface if Port 0 is the NT Port, offset BA0h) default value, provides -3.5 dB of de-emphasis. However, it is also a Status register with provisional read-back data.</p> <p>The power-up reset default values of this register correspond to -3.5 dB drive levels, and can be overwritten by serial EEPROM or Configuration Space register transactions. However, when read back, the returned data always represents the current value being applied to the Lane. That is because the Write Data value is written into a holding register for the -3.5 dB value, but cannot be directly read from the register. The Read Data value is always sourced from an active Drive register that is loaded dynamically upon de-emphasis changes.</p> <p>Notes: Refer to Table 12-53 for the relationship between the Port 0, 4, or 8 parameters and SerDes modules and Lanes. SerDes modules and Lanes marked “Factory Test Only” are associated with bits that are RsvdP and not serial EEPROM nor I²C writable.</p> <p>Refer to Section 17.7, “Transmit Drive Characteristics,” for a complete breakout of the default values, and their relationship with the Post-Cursor Emphasis Level 3 register.</p> | | | | |
| 4:0 | <p>SerDes 28 Drive Level</p> <p>If 5.0 GT/s -6 dB is selected (Port’s Link Control 2 register Selectable De-Emphasis bit, offset 98h[6], is Cleared, provided that the Current Link Speed is 5.0 GT/s (Port’s Link Status register Current Link Speed field, offset 78h[19:16], is programmed to 0010b)), this register is automatically loaded with default value 0Dh (Silicon Revision AA) or 0Eh (Silicon Revisions AB and BB).</p> <p>Note: <i>Silicon Revisions AB and BB only – Bits 0 and 1 of this register are swapped when written. Therefore, bits 0 and 1 of the intended value must be swapped prior to writing to this register. The value read from this register reflects the actual value that is used.</i></p> | RWS | Yes | <p>Silicon Revision AA: 0Fh (2.5 GT/s, -3.5 dB)</p> <p>0Dh (5.0 GT/s, -6 dB)</p> <p>Silicon Revisions AB and BB: 0Fh (2.5 GT/s, -3.5 dB)</p> <p>0Eh (5.0 GT/s, -6 dB)</p> |
| 6:5 | Reserved | RsvdP | No | 00b |
| 7 | SerDes 28 Auto Load Disable | RWS | Yes | 0 |
| 12:8 | <p>SerDes 29 Drive Level</p> <p>If 5.0 GT/s -6 dB is selected (Port’s Link Control 2 register Selectable De-Emphasis bit, offset 98h[6], is Cleared, provided that the Current Link Speed is 5.0 GT/s (Port’s Link Status register Current Link Speed field, offset 78h[19:16], is programmed to 0010b)), this register is automatically loaded with default value 0Dh (Silicon Revision AA) or 0Eh (Silicon Revisions AB and BB).</p> <p>Note: <i>Silicon Revisions AB and BB only – Bits 8 and 9 of this register are swapped when written. Therefore, bits 8 and 9 of the intended value must be swapped prior to writing to this register. The value read from this register reflects the actual value that is used.</i></p> | RWS | Yes | <p>Silicon Revision AA: 0Fh (2.5 GT/s, -3.5 dB)</p> <p>0Dh (5.0 GT/s, -6 dB)</p> <p>Silicon Revisions AB and BB: 0Fh (2.5 GT/s, -3.5 dB)</p> <p>0Eh (5.0 GT/s, -6 dB)</p> |
| 14:13 | Reserved | RsvdP | No | 00b |
| 15 | SerDes 29 Auto Load Disable | RWS | Yes | 0 |

Register 12-260. B90h SerDes Drive Level 3 (Only Ports 0, 4, and 8 (Ports 0 and 8 are *Factory Test Only*), and also NT Port Virtual Interface if Port 0 is the NT Port) (Cont.)

| Bit(s) | Description | Type | Serial EEPROM and I ² C | Default |
|--------|---|-------|------------------------------------|---|
| 20:16 | <p>SerDes 30 Drive Level</p> <p>If 5.0 GT/s -6 dB is selected (Port's Link Control 2 register <i>Selectable De-Emphasis</i> bit, offset 98h[6], is Cleared, provided that the Current Link Speed is 5.0 GT/s (Port's Link Status register <i>Current Link Speed</i> field, offset 78h[19:16], is programmed to 0010b)), this register is automatically loaded with default value 0Dh (Silicon Revision AA) or 0Eh (Silicon Revisions AB and BB).</p> <p><i>Note: Silicon Revisions AB and BB only – Bits 16 and 17 of this register are swapped when written. Therefore, bits 16 and 17 of the intended value must be swapped prior to writing to this register. The value read from this register reflects the actual value that is used.</i></p> | RWS | Yes | <p>Silicon Revision AA: 0Fh (2.5 GT/s, -3.5 dB)</p> <p>0Dh (5.0 GT/s, -6 dB)</p> <p>Silicon Revisions AB and BB: 0Fh (2.5 GT/s, -3.5 dB)</p> <p>0Eh (5.0 GT/s, -6 dB)</p> |
| 22:21 | Reserved | RsvdP | No | 00b |
| 23 | SerDes 30 Auto Load Disable | RWS | Yes | 0 |
| 28:24 | <p>SerDes 31 Drive Level</p> <p>If 5.0 GT/s -6 dB is selected (Port's Link Control 2 register <i>Selectable De-Emphasis</i> bit, offset 98h[6], is Cleared, provided that the Current Link Speed is 5.0 GT/s (Port's Link Status register <i>Current Link Speed</i> field, offset 78h[19:16], is programmed to 0010b)), this register is automatically loaded with default value 0Dh (Silicon Revision AA) or 0Eh (Silicon Revisions AB and BB).</p> <p><i>Note: Silicon Revisions AB and BB only – Bits 24 and 25 of this register are swapped when written. Therefore, bits 24 and 25 of the intended value must be swapped prior to writing to this register. The value read from this register reflects the actual value that is used.</i></p> | RWS | Yes | <p>Silicon Revision AA: 0Fh (2.5 GT/s, -3.5 dB)</p> <p>0Dh (5.0 GT/s, -6 dB)</p> <p>Silicon Revisions AB and BB: 0Fh (2.5 GT/s, -3.5 dB)</p> <p>0Eh (5.0 GT/s, -6 dB)</p> |
| 30:29 | Reserved | RsvdP | No | 00b |
| 31 | SerDes 31 Auto Load Disable | RWS | Yes | 0 |

**Register 12-261. B94h Post-Cursor Emphasis Level 0
(Only Ports 0, 4, and 8 (Port 4 is *Factory Test Only*),
and also NT Port Virtual Interface if Port 0 is the NT Port)**

| Bit(s) | Description | Type | Serial EEPROM and I ² C | Default |
|---|---|-------|------------------------------------|--|
| <p>The default value of this register, when combined with the SerDes Drive Level 0 register (Ports 0, 4, and 8, and also NT Port Virtual Interface if Port 0 is the NT Port, offset B84h) default value, provides -3.5 dB of de-emphasis.</p> <p>The power-up value can be overwritten by serial EEPROM or Configuration Space register transactions. However, when read back, the returned data always represents the <i>current value being applied to the Lane</i>. That is because the Write Data value is written into a holding register for the -3.5 dB value, but cannot be directly read from the register. The Read Data value is always sourced from an active Drive register that is loaded dynamically upon de-emphasis changes.</p> <p><i>Notes: Refer to Table 12-53 for the relationship between the Port 0, 4, or 8 parameters and SerDes modules and Lanes. SerDes modules and Lanes marked “Factory Test Only” are associated with bits that are RsvdP and not serial EEPROM nor I²C writable.</i></p> <p><i>Refer to Section 17.7, “Transmit Drive Characteristics,” for a complete breakout of the default values, and their relationship with the SerDes Drive Level 0 register.</i></p> | | | | |
| 4:0 | <p>SerDes 0 or 32 Post-Cursor Emphasis Level</p> <p>If 5.0 GT/s -6 dB is selected (Port’s Link Control 2 register <i>Selectable De-Emphasis</i> bit, offset 98h[6], is Cleared, provided that the Current Link Speed is 5.0 GT/s (Port’s Link Status register <i>Current Link Speed</i> field, offset 78h[19:16], is programmed to 0010b)), this register is automatically loaded with default value 15h.</p> | RWS | Yes | 0Dh (2.5 GT/s, -3.5 dB) 15h (5.0 GT/s, -6 dB) |
| 6:5 | <i>Reserved</i> | RsvdP | No | 00b |
| 7 | SerDes 0 or 32 Auto Load Disable | RWS | Yes | 0 |
| 12:8 | <p>SerDes 1 or 33 Post-Cursor Emphasis Level</p> <p>If 5.0 GT/s -6 dB is selected (Port’s Link Control 2 register <i>Selectable De-Emphasis</i> bit, offset 98h[6], is Cleared, provided that the Current Link Speed is 5.0 GT/s (Port’s Link Status register <i>Current Link Speed</i> field, offset 78h[19:16], is programmed to 0010b)), this register is automatically loaded with default value 15h.</p> | RWS | Yes | 0Dh (2.5 GT/s, -3.5 dB) 15h (5.0 GT/s, -6 dB) |
| 14:13 | <i>Reserved</i> | RsvdP | No | 00b |
| 15 | SerDes 1 or 33 Auto Load Disable | RWS | Yes | 0 |

Register 12-261. B94h Post-Cursor Emphasis Level 0
(Only Ports 0, 4, and 8 (Port 4 is *Factory Test Only*),
and also NT Port Virtual Interface if Port 0 is the NT Port) (Cont.)

| Bit(s) | Description | Type | Serial EEPROM and I ² C | Default |
|--------|---|-------|------------------------------------|--|
| 20:16 | SerDes 2 or 34 Post-Cursor Emphasis Level If 5.0 GT/s -6 dB is selected (Port's Link Control 2 register <i>Selectable De-Emphasis</i> bit, offset 98h[6], is Cleared, provided that the Current Link Speed is 5.0 GT/s (Port's Link Status register <i>Current Link Speed</i> field, offset 78h[19:16], is programmed to 0010b)), this register is automatically loaded with default value 15h. | RWS | Yes | 0Dh (2.5 GT/s, -3.5 dB) 15h (5.0 GT/s, -6 dB) |
| 22:21 | Reserved | RsvdP | No | 00b |
| 23 | SerDes 2 or 34 Auto Load Disable | RWS | Yes | 0 |
| 28:24 | SerDes 3 or 35 Post-Cursor Emphasis Level If 5.0 GT/s -6 dB is selected (Port's Link Control 2 register <i>Selectable De-Emphasis</i> bit, offset 98h[6], is Cleared, provided that the Current Link Speed is 5.0 GT/s (Port's Link Status register <i>Current Link Speed</i> field, offset 78h[19:16], is programmed to 0010b)), this register is automatically loaded with default value 15h. | RWS | Yes | 0Dh (2.5 GT/s, -3.5 dB) 15h (5.0 GT/s, -6 dB) |
| 30:29 | Reserved | RsvdP | No | 00b |
| 31 | SerDes 3 or 35 Auto Load Disable | RWS | Yes | 0 |

**Register 12-262. B98h Post-Cursor Emphasis Level 1
(Only Ports 0, 4, and 8 (Port 4 is *Factory Test Only*),
and also NT Port Virtual Interface if Port 0 is the NT Port)**

| Bit(s) | Description | Type | Serial EEPROM and I ² C | Default |
|---|---|-------|------------------------------------|--|
| <p>The default value of this register, when combined with the SerDes Drive Level 1 register (Ports 0, 4, and 8, and also NT Port Virtual Interface if Port 0 is the NT Port, offset B88h) default value, provides -3.5 dB of de-emphasis.</p> <p>The power-up value can be overwritten by serial EEPROM or Configuration Space register transactions. However, when read back, the returned data always represents the <i>current value being applied to the Lane</i>. That is because the Write Data value is written into a holding register for the -3.5 dB value, but cannot be directly read from the register. The Read Data value is always sourced from an active Drive register that is loaded dynamically upon de-emphasis changes.</p> <p><i>Notes: Refer to Table 12-53 for the relationship between the Port 0, 4, or 8 parameters and SerDes modules and Lanes. SerDes modules and Lanes marked “Factory Test Only” are associated with bits that are RsvdP and not serial EEPROM nor I²C writable.</i></p> <p><i>Refer to Section 17.7, “Transmit Drive Characteristics,” for a complete breakout of the default values, and their relationship with the SerDes Drive Level 1 register.</i></p> | | | | |
| 4:0 | <p>SerDes 4 or 36 Post-Cursor Emphasis Level</p> <p>If 5.0 GT/s -6 dB is selected (Port’s Link Control 2 register <i>Selectable De-Emphasis</i> bit, offset 98h[6], is Cleared, provided that the Current Link Speed is 5.0 GT/s (Port’s Link Status register <i>Current Link Speed</i> field, offset 78h[19:16], is programmed to 0010b)), this register is automatically loaded with default value 15h.</p> | RWS | Yes | 0Dh (2.5 GT/s, -3.5 dB) 15h (5.0 GT/s, -6 dB) |
| 6:5 | <i>Reserved</i> | RsvdP | No | 00b |
| 7 | SerDes 4 or 36 Auto Load Disable | RWS | Yes | 0 |
| 12:8 | <p>SerDes 5 or 37 Post-Cursor Emphasis Level</p> <p>If 5.0 GT/s -6 dB is selected (Port’s Link Control 2 register <i>Selectable De-Emphasis</i> bit, offset 98h[6], is Cleared, provided that the Current Link Speed is 5.0 GT/s (Port’s Link Status register <i>Current Link Speed</i> field, offset 78h[19:16], is programmed to 0010b)), this register is automatically loaded with default value 15h.</p> | RWS | Yes | 0Dh (2.5 GT/s, -3.5 dB) 15h (5.0 GT/s, -6 dB) |
| 14:13 | <i>Reserved</i> | RsvdP | No | 00b |
| 15 | SerDes 5 or 37 Auto Load Disable | RWS | Yes | 0 |

Register 12-262. B98h Post-Cursor Emphasis Level 1
(Only Ports 0, 4, and 8 (Port 4 is *Factory Test Only*),
and also NT Port Virtual Interface if Port 0 is the NT Port) (Cont.)

| Bit(s) | Description | Type | Serial EEPROM and I ² C | Default |
|--------|---|-------|------------------------------------|--|
| 20:16 | SerDes 6 or 38 Post-Cursor Emphasis Level If 5.0 GT/s -6 dB is selected (Port's Link Control 2 register <i>Selectable De-Emphasis</i> bit, offset 98h[6], is Cleared, provided that the Current Link Speed is 5.0 GT/s (Port's Link Status register <i>Current Link Speed</i> field, offset 78h[19:16], is programmed to 0010b)), this register is automatically loaded with default value 15h. | RWS | Yes | 0Dh (2.5 GT/s, -3.5 dB) 15h (5.0 GT/s, -6 dB) |
| 22:21 | Reserved | RsvdP | No | 00b |
| 23 | SerDes 6 or 38 Auto Load Disable | RWS | Yes | 0 |
| 28:24 | SerDes 7 or 39 Post-Cursor Emphasis Level If 5.0 GT/s -6 dB is selected (Port's Link Control 2 register <i>Selectable De-Emphasis</i> bit, offset 98h[6], is Cleared, provided that the Current Link Speed is 5.0 GT/s (Port's Link Status register <i>Current Link Speed</i> field, offset 78h[19:16], is programmed to 0010b)), this register is automatically loaded with default value 15h. | RWS | Yes | 0Dh (2.5 GT/s, -3.5 dB) 15h (5.0 GT/s, -6 dB) |
| 30:29 | Reserved | RsvdP | No | 00b |
| 31 | SerDes 7 or 39 Auto Load Disable | RWS | Yes | 0 |

Register 12-263. B9Ch Post-Cursor Emphasis Level 2
(Only Ports 0, 4, and 8 (Ports 0 and 8 are *Factory Test Only*),
and also NT Port Virtual Interface if Port 0 is the NT Port)

| Bit(s) | Description | Type | Serial EEPROM and I ² C | Default |
|---|---|-------|------------------------------------|---|
| <p>The default value of this register, when combined with the SerDes Drive Level 2 register (Ports 0, 4, and 8, and also NT Port Virtual Interface if Port 0 is the NT Port, offset B8Ch) default value, provides -3.5 dB of de-emphasis.</p> <p>The power-up value can be overwritten by serial EEPROM or Configuration Space register transactions. However, when read back, the returned data always represents the <i>current value being applied to the Lane</i>. That is because the Write Data value is written into a holding register for the -3.5 dB value, but cannot be directly read from the register. The Read Data value is always sourced from an active Drive register that is loaded dynamically upon de-emphasis changes.</p> <p><i>Notes:</i> Refer to Table 12-53 for the relationship between the Port 0, 4, or 8 parameters and SerDes modules and Lanes. SerDes modules and Lanes marked “<i>Factory Test Only</i>” are associated with bits that are RsvdP and not serial EEPROM nor I²C writable.</p> <p>Refer to Section 17.7, “Transmit Drive Characteristics,” for a complete breakout of the default values, and their relationship with the SerDes Drive Level 2 register.</p> | | | | |
| 4:0 | <p>SerDes 24 Post-Cursor Emphasis Level</p> <p>If 5.0 GT/s -6 dB is selected (Port’s Link Control 2 register <i>Selectable De-Emphasis</i> bit, offset 98h[6], is Cleared, provided that the Current Link Speed is 5.0 GT/s (Port’s Link Status register <i>Current Link Speed</i> field, offset 78h[19:16], is programmed to 0010b)), this register is automatically loaded with default value 15h.</p> | RWS | Yes | <p>0Dh (2.5 GT/s, -3.5 dB)</p> <p>15h (5.0 GT/s, -6 dB)</p> |
| 6:5 | <i>Reserved</i> | RsvdP | No | 00b |
| 7 | SerDes 24 Auto Load Disable | RWS | Yes | 0 |
| 12:8 | <p>SerDes 25 Post-Cursor Emphasis Level</p> <p>If 5.0 GT/s -6 dB is selected (Port’s Link Control 2 register <i>Selectable De-Emphasis</i> bit, offset 98h[6], is Cleared, provided that the Current Link Speed is 5.0 GT/s (Port’s Link Status register <i>Current Link Speed</i> field, offset 78h[19:16], is programmed to 0010b)), this register is automatically loaded with default value 15h.</p> | RWS | Yes | <p>0Dh (2.5 GT/s, -3.5 dB)</p> <p>15h (5.0 GT/s, -6 dB)</p> |
| 14:13 | <i>Reserved</i> | RsvdP | No | 00b |
| 15 | SerDes 25 Auto Load Disable | RWS | Yes | 0 |

Register 12-263. B9Ch Post-Cursor Emphasis Level 2
(Only Ports 0, 4, and 8 (Ports 0 and 8 are *Factory Test Only*),
and also NT Port Virtual Interface if Port 0 is the NT Port) (*Cont.*)

| Bit(s) | Description | Type | Serial EEPROM and I ² C | Default |
|--------|--|-------|------------------------------------|--|
| 20:16 | SerDes 26 Post-Cursor Emphasis Level If 5.0 GT/s -6 dB is selected (Port's Link Control 2 register <i>Selectable De-Emphasis</i> bit, offset 98h[6], is Cleared, provided that the Current Link Speed is 5.0 GT/s (Port's Link Status register <i>Current Link Speed</i> field, offset 78h[19:16], is programmed to 0010b)), this register is automatically loaded with default value 15h. | RWS | Yes | 0Dh (2.5 GT/s, -3.5 dB) 15h (5.0 GT/s, -6 dB) |
| 22:21 | Reserved | RsvdP | No | 00b |
| 23 | SerDes 26 Auto Load Disable | RWS | Yes | 0 |
| 28:24 | SerDes 27 Post-Cursor Emphasis Level If 5.0 GT/s -6 dB is selected (Port's Link Control 2 register <i>Selectable De-Emphasis</i> bit, offset 98h[6], is Cleared, provided that the Current Link Speed is 5.0 GT/s (Port's Link Status register <i>Current Link Speed</i> field, offset 78h[19:16], is programmed to 0010b)), this register is automatically loaded with default value 15h. | RWS | Yes | 0Dh (2.5 GT/s, -3.5 dB) 15h (5.0 GT/s, -6 dB) |
| 30:29 | Reserved | RsvdP | No | 00b |
| 31 | SerDes 27 Auto Load Disable | RWS | Yes | 0 |

**Register 12-264. BA0h Post-Cursor Emphasis Level 3
(Only Ports 0, 4, and 8 (Ports 0 and 8 are *Factory Test Only*),
and also NT Port Virtual Interface if Port 0 is the NT Port)**

| Bit(s) | Description | Type | Serial EEPROM and I ² C | Default |
|---|---|-------|------------------------------------|--|
| <p>The default value of this register, when combined with the SerDes Drive Level 3 register (Ports 0, 4, and 8, and also NT Port Virtual Interface if Port 0 is the NT Port, offset B90h) default value, provides -3.5 dB of de-emphasis.</p> <p>The power-up value can be overwritten by serial EEPROM or Configuration Space register transactions. However, when read back, the returned data always represents the <i>current value being applied to the Lane</i>. That is because the Write Data value is written into a holding register for the -3.5 dB value, but cannot be directly read from the register. The Read Data value is always sourced from an active Drive register that is loaded dynamically upon de-emphasis changes.</p> <p><i>Notes:</i> Refer to Table 12-53 for the relationship between the Port 0, 4, or 8 parameters and SerDes modules and Lanes. SerDes modules and Lanes marked “<i>Factory Test Only</i>” are associated with bits that are RsvdP and not serial EEPROM nor I²C writable.</p> <p>Refer to Section 17.7, “Transmit Drive Characteristics,” for a complete breakout of the default values, and their relationship with the SerDes Drive Level 3 register.</p> | | | | |
| 4:0 | <p>SerDes 28 Post-Cursor Emphasis Level</p> <p>If 5.0 GT/s -6 dB is selected (Port’s Link Control 2 register <i>Selectable De-Emphasis</i> bit, offset 98h[6], is Cleared, provided that the Current Link Speed is 5.0 GT/s (Port’s Link Status register <i>Current Link Speed</i> field, offset 78h[19:16], is programmed to 0010b)), this register is automatically loaded with default value 15h.</p> | RWS | Yes | 0Dh (2.5 GT/s, -3.5 dB) 15h (5.0 GT/s, -6 dB) |
| 6:5 | <i>Reserved</i> | RsvdP | No | 00b |
| 7 | SerDes 28 Auto Load Disable | RWS | Yes | 0 |
| 12:8 | <p>SerDes 29 Post-Cursor Emphasis Level</p> <p>If 5.0 GT/s -6 dB is selected (Port’s Link Control 2 register <i>Selectable De-Emphasis</i> bit, offset 98h[6], is Cleared, provided that the Current Link Speed is 5.0 GT/s (Port’s Link Status register <i>Current Link Speed</i> field, offset 78h[19:16], is programmed to 0010b)), this register is automatically loaded with default value 15h.</p> | RWS | Yes | 0Dh (2.5 GT/s, -3.5 dB) 15h (5.0 GT/s, -6 dB) |
| 14:13 | <i>Reserved</i> | RsvdP | No | 00b |
| 15 | SerDes 29 Auto Load Disable | RWS | Yes | 0 |

**Register 12-264. BA0h Post-Cursor Emphasis Level 3
(Only Ports 0, 4, and 8 (Ports 0 and 8 are *Factory Test Only*),
and also NT Port Virtual Interface if Port 0 is the NT Port) (Cont.)**

| Bit(s) | Description | Type | Serial EEPROM and I ² C | Default |
|--------|--|-------|------------------------------------|--|
| 20:16 | SerDes 30 Post-Cursor Emphasis Level If 5.0 GT/s -6 dB is selected (Port's Link Control 2 register <i>Selectable De-Emphasis</i> bit, offset 98h[6], is Cleared, provided that the Current Link Speed is 5.0 GT/s (Port's Link Status register <i>Current Link Speed</i> field, offset 78h[19:16], is programmed to 0010b)), this register is automatically loaded with default value 15h. | RWS | Yes | 0Dh (2.5 GT/s, -3.5 dB) 15h (5.0 GT/s, -6 dB) |
| 22:21 | <i>Reserved</i> | RsvdP | No | 00b |
| 23 | SerDes 30 Auto Load Disable | RWS | Yes | 0 |
| 28:24 | SerDes 31 Post-Cursor Emphasis Level If 5.0 GT/s -6 dB is selected (Port's Link Control 2 register <i>Selectable De-Emphasis</i> bit, offset 98h[6], is Cleared, provided that the Current Link Speed is 5.0 GT/s (Port's Link Status register <i>Current Link Speed</i> field, offset 78h[19:16], is programmed to 0010b)), this register is automatically loaded with default value 15h. | RWS | Yes | 0Dh (2.5 GT/s, -3.5 dB) 15h (5.0 GT/s, -6 dB) |
| 30:29 | <i>Reserved</i> | RsvdP | No | 00b |
| 31 | SerDes 31 Auto Load Disable | RWS | Yes | 0 |

Register 12-265. BA4h Receiver Equalization Level 0
(Only Ports 0, 4, and 8 (Port 4 is *Factory Test Only*),
and also NT Port Virtual Interface if Port 0 is the NT Port)

| Bit(s) | Description | Type | Serial EEPROM and I ² C | Default | | | | | | | | | | | | | | | | | | | | |
|---|---|----------------------|------------------------------------|---------|----------------------|--------------|----------------------|--------------|--------------|-----|----------|--------|----|---------|----------|----------------|----------|-----|----------|---------|----------|---------------|--|--|
| This register provides the Receiver Equalization Level control for the lower SerDes within each Station. | | | | | | | | | | | | | | | | | | | | | | | | |
| <table border="1"> <thead> <tr> <th>Rx Equalization[3:0]</th> <th>Equalization</th> <th>Rx Equalization[3:0]</th> <th>Equalization</th> </tr> </thead> <tbody> <tr> <td>0h (default)</td> <td>Off</td> <td>7h to 9h</td> <td>Medium</td> </tr> <tr> <td>1h</td> <td>Minimum</td> <td>Ah to Dh</td> <td>High to Medium</td> </tr> <tr> <td>2h to 3h</td> <td>Low</td> <td>Eh to Fh</td> <td>Maximum</td> </tr> <tr> <td>4h to 6h</td> <td>Low to Medium</td> <td></td> <td></td> </tr> </tbody> </table> | | | | | Rx Equalization[3:0] | Equalization | Rx Equalization[3:0] | Equalization | 0h (default) | Off | 7h to 9h | Medium | 1h | Minimum | Ah to Dh | High to Medium | 2h to 3h | Low | Eh to Fh | Maximum | 4h to 6h | Low to Medium | | |
| Rx Equalization[3:0] | Equalization | Rx Equalization[3:0] | Equalization | | | | | | | | | | | | | | | | | | | | | |
| 0h (default) | Off | 7h to 9h | Medium | | | | | | | | | | | | | | | | | | | | | |
| 1h | Minimum | Ah to Dh | High to Medium | | | | | | | | | | | | | | | | | | | | | |
| 2h to 3h | Low | Eh to Fh | Maximum | | | | | | | | | | | | | | | | | | | | | |
| 4h to 6h | Low to Medium | | | | | | | | | | | | | | | | | | | | | | | |
| <i>Note: Refer to Table 12-53 for the relationship between the Port 0, 4, or 8 parameters and SerDes modules and Lanes. SerDes modules and Lanes marked “Factory Test Only” are associated with bits that are RsvdP and not serial EEPROM nor I²C writable.</i> | | | | | | | | | | | | | | | | | | | | | | | | |
| 3:0 | SerDes 0 or 32 Receiver Equalization Level | RWS | Yes | 0h | | | | | | | | | | | | | | | | | | | | |
| 7:4 | SerDes 1 or 33 Receiver Equalization Level | RWS | Yes | 0h | | | | | | | | | | | | | | | | | | | | |
| 11:8 | SerDes 2 or 34 Receiver Equalization Level | RWS | Yes | 0h | | | | | | | | | | | | | | | | | | | | |
| 15:12 | SerDes 3 or 35 Receiver Equalization Level | RWS | Yes | 0h | | | | | | | | | | | | | | | | | | | | |
| 19:16 | SerDes 4 or 36 Receiver Equalization Level | RWS | Yes | 0h | | | | | | | | | | | | | | | | | | | | |
| 23:20 | SerDes 5 or 37 Receiver Equalization Level | RWS | Yes | 0h | | | | | | | | | | | | | | | | | | | | |
| 27:24 | SerDes 6 or 38 Receiver Equalization Level | RWS | Yes | 0h | | | | | | | | | | | | | | | | | | | | |
| 31:28 | SerDes 7 or 39 Receiver Equalization Level | RWS | Yes | 0h | | | | | | | | | | | | | | | | | | | | |

Register 12-266. BA8h Receiver Equalization Level 1
(Only Ports 0, 4, and 8 (Ports 0 and 8 are *Factory Test Only*),
and also NT Port Virtual Interface if Port 0 is the NT Port)

| Bit(s) | Description | Type | Serial EEPROM and I ² C | Default | | | | | | | | | | | | | | | | | | | | |
|---|--|----------------------|------------------------------------|---------|----------------------|--------------|----------------------|--------------|--------------|-----|----------|--------|----|---------|----------|----------------|----------|-----|----------|---------|----------|---------------|--|--|
| This register provides the Receiver Equalization Level control for the upper SerDes within each Station. | | | | | | | | | | | | | | | | | | | | | | | | |
| <table border="1"> <thead> <tr> <th>Rx Equalization[3:0]</th> <th>Equalization</th> <th>Rx Equalization[3:0]</th> <th>Equalization</th> </tr> </thead> <tbody> <tr> <td>0h (default)</td> <td>Off</td> <td>7h to 9h</td> <td>Medium</td> </tr> <tr> <td>1h</td> <td>Minimum</td> <td>Ah to Dh</td> <td>High to Medium</td> </tr> <tr> <td>2h to 3h</td> <td>Low</td> <td>Eh to Fh</td> <td>Maximum</td> </tr> <tr> <td>4h to 6h</td> <td>Low to Medium</td> <td></td> <td></td> </tr> </tbody> </table> | | | | | Rx Equalization[3:0] | Equalization | Rx Equalization[3:0] | Equalization | 0h (default) | Off | 7h to 9h | Medium | 1h | Minimum | Ah to Dh | High to Medium | 2h to 3h | Low | Eh to Fh | Maximum | 4h to 6h | Low to Medium | | |
| Rx Equalization[3:0] | Equalization | Rx Equalization[3:0] | Equalization | | | | | | | | | | | | | | | | | | | | | |
| 0h (default) | Off | 7h to 9h | Medium | | | | | | | | | | | | | | | | | | | | | |
| 1h | Minimum | Ah to Dh | High to Medium | | | | | | | | | | | | | | | | | | | | | |
| 2h to 3h | Low | Eh to Fh | Maximum | | | | | | | | | | | | | | | | | | | | | |
| 4h to 6h | Low to Medium | | | | | | | | | | | | | | | | | | | | | | | |
| <p><i>Note:</i> Refer to Table 12-53 for the relationship between the Port 0, 4, or 8 parameters and SerDes modules and Lanes. SerDes modules and Lanes marked “<i>Factory Test Only</i>” are associated with bits that are RsvdP and not serial EEPROM nor I²C writable.</p> | | | | | | | | | | | | | | | | | | | | | | | | |
| 3:0 | SerDes 24 Receiver Equalization Level | RWS | Yes | 0h | | | | | | | | | | | | | | | | | | | | |
| 7:4 | SerDes 25 Receiver Equalization Level | RWS | Yes | 0h | | | | | | | | | | | | | | | | | | | | |
| 11:8 | SerDes 26 Receiver Equalization Level | RWS | Yes | 0h | | | | | | | | | | | | | | | | | | | | |
| 15:12 | SerDes 27 Receiver Equalization Level | RWS | Yes | 0h | | | | | | | | | | | | | | | | | | | | |
| 19:16 | SerDes 28 Receiver Equalization Level | RWS | Yes | 0h | | | | | | | | | | | | | | | | | | | | |
| 23:20 | SerDes 29 Receiver Equalization Level | RWS | Yes | 0h | | | | | | | | | | | | | | | | | | | | |
| 27:24 | SerDes 30 Receiver Equalization Level | RWS | Yes | 0h | | | | | | | | | | | | | | | | | | | | |
| 31:28 | SerDes 31 Receiver Equalization Level | RWS | Yes | 0h | | | | | | | | | | | | | | | | | | | | |

Register 12-267. BACH Signal Detect Level (Only Ports 0, 4, and 8, and also NT Port Virtual Interface if Port 0 is the NT Port)

| Bit(s) | Description | Type | Serial EEPROM and I ² C | Default |
|--|------------------------------------|------|------------------------------------|---------|
| <p>This register provides the Receiver Signal Detect Level select. Each two-bit field in this register provides four Settings for detecting Electrical Idle Analog, for the corresponding SerDes.</p> <p>00b = Approximately 50 to 80 mV 01b = Approximately 65 to 175 mV (default) 10b = Approximately 75 to 200 mV 11b = Approximately 120 to 240 mV</p> <p><i>Note:</i> Refer to Table 12-53 for the relationship between the Port 0, 4, or 8 parameters and SerDes modules and Lanes. SerDes modules and Lanes marked “Factory Test Only” are associated with bits that are RsvdP and not serial EEPROM nor I²C writable.</p> | | | | |
| 1:0 | SerDes 0 or 32 Signal Detect Level | RWS | Yes | 01b |
| 3:2 | SerDes 1 or 33 Signal Detect Level | RWS | Yes | 01b |
| 5:4 | SerDes 2 or 34 Signal Detect Level | RWS | Yes | 01b |
| 7:6 | SerDes 3 or 35 Signal Detect Level | RWS | Yes | 01b |
| 9:8 | SerDes 4 or 36 Signal Detect Level | RWS | Yes | 01b |
| 11:10 | SerDes 5 or 37 Signal Detect Level | RWS | Yes | 01b |
| 13:12 | SerDes 6 or 38 Signal Detect Level | RWS | Yes | 01b |
| 15:14 | SerDes 7 or 39 Signal Detect Level | RWS | Yes | 01b |
| 17:16 | SerDes 24 Signal Detect Level | RWS | Yes | 01b |
| 19:18 | SerDes 25 Signal Detect Level | RWS | Yes | 01b |
| 21:20 | SerDes 26 Signal Detect Level | RWS | Yes | 01b |
| 23:22 | SerDes 27 Signal Detect Level | RWS | Yes | 01b |
| 25:24 | SerDes 28 Signal Detect Level | RWS | Yes | 01b |
| 27:26 | SerDes 29 Signal Detect Level | RWS | Yes | 01b |
| 29:28 | SerDes 30 Signal Detect Level | RWS | Yes | 01b |
| 31:30 | SerDes 31 Signal Detect Level | RWS | Yes | 01b |

12.16.12 Device-Specific Registers – Port Configuration Header (Offsets E00h – E3Ch)

This section details the Device-Specific Port Configuration Header registers, for each Port. [Table 12-54](#) defines the register map.

Table 12-54. Device-Specific Port Configuration Header Register Map (Only Ports 0, 4, and 8)

| 31 30 29 28 27 26 25 24 | 23 22 21 20 19 18 17 16 | 15 14 13 12 11 10 9 8 7 6 5 4 3 2 1 0 | | |
|--------------------------|-------------------------|---------------------------------------|--|-------------|
| PCI Command Port 1 | | PCI Command Port 0 | | E00h |
| <i>Factory Test Only</i> | | | | E04h |
| PCI Command Port 5 | | PCI Command Port 4 | | E08h |
| <i>Factory Test Only</i> | | PCI Command Port 6 | | E0Ch |
| PCI Command Port 9 | | PCI Command Port 8 | | E10h |
| <i>Factory Test Only</i> | | | | E14h |
| <i>Reserved</i> | | | | E18h – |
| Bridge Control Port 1 | | Bridge Control Port 0 | | E20h |
| <i>Factory Test Only</i> | | | | E24h |
| Bridge Control Port 5 | | Bridge Control Port 4 | | E28h |
| <i>Factory Test Only</i> | | Bridge Control Port 6 | | E2Ch |
| Bridge Control Port 9 | | Bridge Control Port 8 | | E30h |
| <i>Factory Test Only</i> | | | | E34h |
| <i>Reserved</i> | | | | E38h – E3Ch |

Register 12-268. E00h PCI Command Port 0 (Only Ports 0, 4, and 8)

| Bit(s) | Description | Type | Serial EEPROM and I ² C | Default |
|--------|--|-------|------------------------------------|---------|
| 0 | I/O Access Enable 0 = PEX 8624 ignores I/O Space accesses on Port 0's primary interface 1 = PEX 8624 responds to I/O Space accesses on Port 0's primary interface | RW | Yes | 0 |
| 1 | Memory Access Enable 0 = PEX 8624 ignores Memory Space accesses on Port 0's primary interface 1 = PEX 8624 responds to Memory Space accesses on Port 0's primary interface | RW | Yes | 0 |
| 2 | Bus Master Enable Controls PEX 8624 Memory and I/O Request forwarding upstream. Neither affect Message forwarding nor Completions traveling upstream or downstream. 0 = PEX 8624 handles Memory and I/O Requests received on Port 0's downstream/secondary interface as URs; for Non-Posted Requests, the PEX 8624 returns a Completion with UR Completion status 1 = PEX 8624 forwards Memory and I/O Requests upstream | RW | Yes | 0 |
| 7:3 | Reserved | RsvdP | No | 0-0h |
| 8 | SERR# Enable Controls the PCI Status register <i>Signaled System Error</i> bit (offset 04h[30]). 0 = No error is detected 1 = Enables reporting of Fatal and Non-Fatal errors detected by the device to the Root Complex | RW | Yes | 0 |
| 15:9 | Reserved | RsvdP | No | 0-0h |

Register 12-269. E02h PCI Command Port 1 (Only Ports 0, 4, and 8)

| Bit(s) | Description | Type | Serial EEPROM and I ² C | Default |
|--------|--|-------|------------------------------------|---------|
| 0 | I/O Access Enable 0 = PEX 8624 ignores I/O Space accesses on Port 1's primary interface 1 = PEX 8624 responds to I/O Space accesses on Port 1's primary interface | RW | Yes | 0 |
| 1 | Memory Access Enable 0 = PEX 8624 ignores Memory Space accesses on Port 1's primary interface 1 = PEX 8624 responds to Memory Space accesses on Port 1's primary interface | RW | Yes | 0 |
| 2 | Bus Master Enable Controls PEX 8624 Memory and I/O Request forwarding upstream. Neither affect Message forwarding nor Completions traveling upstream or downstream. 0 = PEX 8624 handles Memory and I/O Requests received on Port 1's downstream/secondary interface as URs; for Non-Posted Requests, the PEX 8624 returns a Completion with UR Completion status 1 = PEX 8624 forwards Memory and I/O Requests upstream | RW | Yes | 0 |
| 7:3 | Reserved | RsvdP | No | 0-0h |
| 8 | SERR# Enable Controls the PCI Status register <i>Signaled System Error</i> bit (offset 04h[30]). 0 = No error is detected 1 = Enables reporting of Fatal and Non-Fatal errors detected by the device to the Root Complex | RW | Yes | 0 |
| 15:9 | Reserved | RsvdP | No | 0-0h |

Register 12-270. E08h PCI Command Port 4 (Only Ports 0, 4, and 8)

| Bit(s) | Description | Type | Serial EEPROM and I ² C | Default |
|--------|--|-------|------------------------------------|---------|
| 0 | I/O Access Enable 0 = PEX 8624 ignores I/O Space accesses on Port 4's primary interface 1 = PEX 8624 responds to I/O Space accesses on Port 4's primary interface | RW | Yes | 0 |
| 1 | Memory Access Enable 0 = PEX 8624 ignores Memory Space accesses on Port 4's primary interface 1 = PEX 8624 responds to Memory Space accesses on Port 4's primary interface | RW | Yes | 0 |
| 2 | Bus Master Enable Controls PEX 8624 Memory and I/O Request forwarding upstream. Neither affect Message forwarding nor Completions traveling upstream or downstream. 0 = PEX 8624 handles Memory and I/O Requests received on Port 4's downstream/secondary interface as URs; for Non-Posted Requests, the PEX 8624 returns a Completion with UR Completion status 1 = PEX 8624 forwards Memory and I/O Requests upstream | RW | Yes | 0 |
| 7:3 | Reserved | RsvdP | No | 0-0h |
| 8 | SERR# Enable Controls the PCI Status register <i>Signaled System Error</i> bit (offset 04h[30]). 0 = No error is detected 1 = Enables reporting of Fatal and Non-Fatal errors detected by the device to the Root Complex | RW | Yes | 0 |
| 15:9 | Reserved | RsvdP | No | 0-0h |

Register 12-271. E0Ah PCI Command Port 5 (Only Ports 0, 4, and 8)

| Bit(s) | Description | Type | Serial EEPROM and I ² C | Default |
|--------|--|-------|------------------------------------|---------|
| 0 | I/O Access Enable 0 = PEX 8624 ignores I/O Space accesses on Port 5's primary interface 1 = PEX 8624 responds to I/O Space accesses on Port 5's primary interface | RW | Yes | 0 |
| 1 | Memory Access Enable 0 = PEX 8624 ignores Memory Space accesses on Port 5's primary interface 1 = PEX 8624 responds to Memory Space accesses on Port 5's primary interface | RW | Yes | 0 |
| 2 | Bus Master Enable Controls PEX 8624 Memory and I/O Request forwarding upstream. Neither affect Message forwarding nor Completions traveling upstream or downstream. 0 = PEX 8624 handles Memory and I/O Requests received on Port 5's downstream/secondary interface as URs; for Non-Posted Requests, the PEX 8624 returns a Completion with UR Completion status 1 = PEX 8624 forwards Memory and I/O Requests upstream | RW | Yes | 0 |
| 7:3 | Reserved | RsvdP | No | 0-0h |
| 8 | SERR# Enable Controls the PCI Status register <i>Signaled System Error</i> bit (offset 04h[30]). 0 = No error is detected 1 = Enables reporting of Fatal and Non-Fatal errors detected by the device to the Root Complex | RW | Yes | 0 |
| 15:9 | Reserved | RsvdP | No | 0-0h |

Register 12-272. E0Ch PCI Command Port 6 (Only Ports 0, 4, and 8)

| Bit(s) | Description | Type | Serial EEPROM and I ² C | Default |
|--------|--|-------|------------------------------------|---------|
| 0 | I/O Access Enable 0 = PEX 8624 ignores I/O Space accesses on Port 6's primary interface 1 = PEX 8624 responds to I/O Space accesses on Port 6's primary interface | RW | Yes | 0 |
| 1 | Memory Access Enable 0 = PEX 8624 ignores Memory Space accesses on Port 6's primary interface 1 = PEX 8624 responds to Memory Space accesses on Port 6's primary interface | RW | Yes | 0 |
| 2 | Bus Master Enable Controls PEX 8624 Memory and I/O Request forwarding upstream. Neither affect Message forwarding nor Completions traveling upstream or downstream. 0 = PEX 8624 handles Memory and I/O Requests received on Port 6's downstream/secondary interface as URs; for Non-Posted Requests, the PEX 8624 returns a Completion with UR Completion status 1 = PEX 8624 forwards Memory and I/O Requests upstream | RW | Yes | 0 |
| 7:3 | Reserved | RsvdP | No | 0-0h |
| 8 | SERR# Enable Controls the PCI Status register <i>Signaled System Error</i> bit (offset 04h[30]). 0 = No error is detected 1 = Enables reporting of Fatal and Non-Fatal errors detected by the device to the Root Complex | RW | Yes | 0 |
| 15:9 | Reserved | RsvdP | No | 0-0h |

Register 12-273. E10h PCI Command Port 8 (Only Ports 0, 4, and 8)

| Bit(s) | Description | Type | Serial EEPROM and I ² C | Default |
|--------|--|-------|------------------------------------|---------|
| 0 | I/O Access Enable 0 = PEX 8624 ignores I/O Space accesses on Port 8's primary interface 1 = PEX 8624 responds to I/O Space accesses on Port 8's primary interface | RW | Yes | 0 |
| 1 | Memory Access Enable 0 = PEX 8624 ignores Memory Space accesses on Port 8's primary interface 1 = PEX 8624 responds to Memory Space accesses on Port 8's primary interface | RW | Yes | 0 |
| 2 | Bus Master Enable Controls PEX 8624 Memory and I/O Request forwarding upstream. Neither affect Message forwarding nor Completions traveling upstream or downstream. 0 = PEX 8624 handles Memory and I/O Requests received on Port 8's downstream/secondary interface as URs; for Non-Posted Requests, the PEX 8624 returns a Completion with UR Completion status 1 = PEX 8624 forwards Memory and I/O Requests upstream | RW | Yes | 0 |
| 7:3 | Reserved | RsvdP | No | 0-0h |
| 8 | SERR# Enable Controls the PCI Status register <i>Signaled System Error</i> bit (offset 04h[30]). 0 = No error is detected 1 = Enables reporting of Fatal and Non-Fatal errors detected by the device to the Root Complex | RW | Yes | 0 |
| 15:9 | Reserved | RsvdP | No | 0-0h |

Register 12-274. E12h PCI Command Port 9 (Only Ports 0, 4, and 8)

| Bit(s) | Description | Type | Serial EEPROM and I ² C | Default |
|--------|--|-------|------------------------------------|---------|
| 0 | I/O Access Enable 0 = PEX 8624 ignores I/O Space accesses on Port 9's primary interface 1 = PEX 8624 responds to I/O Space accesses on Port 9's primary interface | RW | Yes | 0 |
| 1 | Memory Access Enable 0 = PEX 8624 ignores Memory Space accesses on Port 9's primary interface 1 = PEX 8624 responds to Memory Space accesses on Port 9's primary interface | RW | Yes | 0 |
| 2 | Bus Master Enable Controls PEX 8624 Memory and I/O Request forwarding upstream. Neither affect Message forwarding nor Completions traveling upstream or downstream. 0 = PEX 8624 handles Memory and I/O Requests received on Port 9's downstream/secondary interface as URs; for Non-Posted Requests, the PEX 8624 returns a Completion with UR Completion status 1 = PEX 8624 forwards Memory and I/O Requests upstream | RW | Yes | 0 |
| 7:3 | Reserved | RsvdP | No | 0-0h |
| 8 | SERR# Enable Controls the PCI Status register <i>Signaled System Error</i> bit (offset 04h[30]). 0 = No error is detected 1 = Enables reporting of Fatal and Non-Fatal errors detected by the device to the Root Complex | RW | Yes | 0 |
| 15:9 | Reserved | RsvdP | No | 0-0h |

Register 12-275. E20h Bridge Control Port 0 (Only Ports 0, 4, and 8)

| Bit(s) | Description | Type | Serial EEPROM and I ² C | Default |
|--------|--|-------|------------------------------------|---------|
| 0 | <i>Reserved</i> | RsvdP | No | 0 |
| 1 | <p>SERR# Enable Controls forwarding of ERR_COR, ERR_FATAL, and ERR_NONFATAL from the secondary interface to the primary interface. When Set, and the PCI Command Port 0 register <i>SERR# Enable</i> bit is also Set, enables the PCI Status register <i>Signaled System Error</i> bit.</p> | RW | Yes | 0 |
| 2 | <p>ISA Enable Modifies the bridge response to ISA I/O addresses. Applies only to I/O addresses, enabled by the I/O Base and I/O Limit registers, that are within the first 64 KB of PCI I/O Address space (0000_0000h to 0000_FFFFh). When Set, the bridge blocks forwarding of I/O transactions from the primary to secondary interface that address the last 768 bytes in each 1-KB block. In the opposite direction (secondary to primary interface), I/O transactions are forwarded if they address the last 768 bytes in each 1-KB block. The default state of this bit after reset must be 0. 0 = Forward downstream all I/O addresses in the Address range defined by the I/O Base and I/O Limit registers 1 = Forward upstream ISA I/O addresses in the Address range defined by the I/O Base and I/O Limit registers that are within the first 64 KB of PCI I/O Address space (top 768 bytes of each 1-KB block)</p> | RW | Yes | 0 |
| 3 | <p>VGA Enable Modifies the bridge response to VGA-compatible addresses. When Set, the bridge positively decodes and forwards the following addresses on the primary interface to the secondary interface (and, conversely, blocks forwarding of these addresses from the secondary interface to the primary interface):</p> <ul style="list-style-type: none"> Memory addresses within the range 000A_0000h to 000B_FFFFh I/O addresses in the first 64 KB of the I/O Address space (AD[31:16] is 0000h), where AD[9:0] is within the ranges 3B0h to 3BBh and 3C0h to 3DFh (inclusive of ISA address aliases – AD[15:10] is not decoded) <p>Additionally, when Set, forwarding of these addresses is independent of the:</p> <ul style="list-style-type: none"> Memory and I/O Address ranges defined by the bridge I/O Base, I/O Limit, Memory Base, Memory Limit, Prefetchable Memory Base, and Prefetchable Memory Limit registers Bit 2 (<i>ISA Enable</i>) Setting <p>Forwarding of these addresses is qualified by the PCI Command Port 0 register <i>I/O Access Enable</i> and <i>Memory Access Enable</i> bits. The default state of this bit after reset must be 0. 0 = Do not forward VGA-compatible Memory and I/O addresses from the primary to the secondary interface (addresses defined above) unless they are enabled for forwarding by the defined Memory and I/O Address ranges 1 = Forward VGA-compatible Memory and I/O addresses (addresses defined above) from the primary interface to the secondary interface (when the <i>I/O Access Enable</i> and <i>Memory Access Enable</i> bits are Set), independent of the Memory and I/O Address ranges and independent of the <i>ISA Enable</i> bit</p> | RW | Yes | 0 |

Register 12-275. E20h Bridge Control Port 0 (Only Ports 0, 4, and 8) (Cont.)

| Bit(s) | Description | Type | Serial EEPROM and I ² C | Default |
|--------|---|-------|------------------------------------|---------|
| 4 | <p>VGA 16-Bit Enable</p> <p>Used only when bit 3 (<i>VGA Enable</i>) is also Set, enabling VGA I/O decoding and forwarding by the bridge. Status after reset is 0.</p> <p>Enables system configuration software to select between 10- and 16-bit I/O address decoding, for VGA I/O register accesses forwarded from the primary interface to the secondary interface.</p> <p>0 = Execute 10-bit address decodes on VGA I/O accesses 1 = Execute 16-bit address decodes on VGA I/O accesses</p> | RW | Yes | 0 |
| 15:5 | <i>Reserved</i> | RsvdP | No | 0-0h |

Register 12-276. E22h Bridge Control Port 1 (Only Ports 0, 4, and 8)

| Bit(s) | Description | Type | Serial EEPROM and I ² C | Default |
|--------|--|-------|------------------------------------|---------|
| 0 | <i>Reserved</i> | RsvdP | No | 0 |
| 1 | <p>SERR# Enable Controls forwarding of ERR_COR, ERR_FATAL, and ERR_NONFATAL from the secondary interface to the primary interface. When Set, and the PCI Command Port 1 register <i>SERR# Enable</i> bit is also Set, enables the PCI Status register <i>Signaled System Error</i> bit.</p> | RW | Yes | 0 |
| 2 | <p>ISA Enable Modifies the bridge response to ISA I/O addresses. Applies only to I/O addresses, enabled by the I/O Base and I/O Limit registers, that are within the first 64 KB of PCI I/O Address space (0000_0000h to 0000_FFFFh). When Set, the bridge blocks forwarding of I/O transactions from the primary to secondary interface that address the last 768 bytes in each 1-KB block. In the opposite direction (secondary to primary interface), I/O transactions are forwarded if they address the last 768 bytes in each 1-KB block. The default state of this bit after reset must be 0. 0 = Forward downstream all I/O addresses in the Address range defined by the I/O Base and I/O Limit registers 1 = Forward upstream ISA I/O addresses in the Address range defined by the I/O Base and I/O Limit registers that are within the first 64 KB of PCI I/O Address space (top 768 bytes of each 1-KB block)</p> | RW | Yes | 0 |
| 3 | <p>VGA Enable Modifies the bridge response to VGA-compatible addresses. When Set, the bridge positively decodes and forwards the following addresses on the primary interface to the secondary interface (and, conversely, blocks forwarding of these addresses from the secondary interface to the primary interface):</p> <ul style="list-style-type: none"> Memory addresses within the range 000A_0000h to 000B_FFFFh I/O addresses in the first 64 KB of the I/O Address space (AD[31:16] is 0000h), where AD[9:0] is within the ranges 3B0h to 3BBh and 3C0h to 3DFh (inclusive of ISA address aliases – AD[15:10] is not decoded) <p>Additionally, when Set, forwarding of these addresses is independent of the:</p> <ul style="list-style-type: none"> Memory and I/O Address ranges defined by the bridge I/O Base, I/O Limit, Memory Base, Memory Limit, Prefetchable Memory Base, and Prefetchable Memory Limit registers Bit 2 (<i>ISA Enable</i>) Setting <p>Forwarding of these addresses is qualified by the PCI Command Port 1 register <i>I/O Access Enable</i> and <i>Memory Access Enable</i> bits. The default state of this bit after reset must be 0. 0 = Do not forward VGA-compatible Memory and I/O addresses from the primary to the secondary interface (addresses defined above) unless they are enabled for forwarding by the defined Memory and I/O Address ranges 1 = Forward VGA-compatible Memory and I/O addresses (addresses defined above) from the primary interface to the secondary interface (when the <i>I/O Access Enable</i> and <i>Memory Access Enable</i> bits are Set), independent of the Memory and I/O Address ranges and independent of the <i>ISA Enable</i> bit</p> | RW | Yes | 0 |

Register 12-276. E22h Bridge Control Port 1 (Only Ports 0, 4, and 8) (Cont.)

| Bit(s) | Description | Type | Serial EEPROM and I ² C | Default |
|--------|---|-------|------------------------------------|---------|
| 4 | <p>VGA 16-Bit Enable</p> <p>Used only when bit 3 (<i>VGA Enable</i>) is also Set, enabling VGA I/O decoding and forwarding by the bridge. Status after reset is 0.</p> <p>Enables system configuration software to select between 10- and 16-bit I/O address decoding, for VGA I/O register accesses forwarded from the primary interface to the secondary interface.</p> <p>0 = Execute 10-bit address decodes on VGA I/O accesses 1 = Execute 16-bit address decodes on VGA I/O accesses</p> | RW | Yes | 0 |
| 15:5 | <i>Reserved</i> | RsvdP | No | 0-0h |

Register 12-277. E28h Bridge Control Port 4 (Only Ports 0, 4, and 8)

| Bit(s) | Description | Type | Serial EEPROM and I ² C | Default |
|--------|--|-------|------------------------------------|---------|
| 0 | <i>Reserved</i> | RsvdP | No | 0 |
| 1 | <p>SERR# Enable Controls forwarding of ERR_COR, ERR_FATAL, and ERR_NONFATAL from the secondary interface to the primary interface. When Set, and the PCI Command Port 4 register <i>SERR# Enable</i> bit is also Set, enables the PCI Status register <i>Signaled System Error</i> bit.</p> | RW | Yes | 0 |
| 2 | <p>ISA Enable Modifies the bridge response to ISA I/O addresses. Applies only to I/O addresses, enabled by the I/O Base and I/O Limit registers, that are within the first 64 KB of PCI I/O Address space (0000_0000h to 0000_FFFFh). When Set, the bridge blocks forwarding of I/O transactions from the primary to secondary interface that address the last 768 bytes in each 1-KB block. In the opposite direction (secondary to primary interface), I/O transactions are forwarded if they address the last 768 bytes in each 1-KB block. The default state of this bit after reset must be 0. 0 = Forward downstream all I/O addresses in the Address range defined by the I/O Base and I/O Limit registers 1 = Forward upstream ISA I/O addresses in the Address range defined by the I/O Base and I/O Limit registers that are within the first 64 KB of PCI I/O Address space (top 768 bytes of each 1-KB block)</p> | RW | Yes | 0 |
| 3 | <p>VGA Enable Modifies the bridge response to VGA-compatible addresses. When Set, the bridge positively decodes and forwards the following addresses on the primary interface to the secondary interface (and, conversely, blocks forwarding of these addresses from the secondary interface to the primary interface):</p> <ul style="list-style-type: none"> Memory addresses within the range 000A_0000h to 000B_FFFFh I/O addresses in the first 64 KB of the I/O Address space (AD[31:16] is 0000h), where AD[9:0] is within the ranges 3B0h to 3BBh and 3C0h to 3DFh (inclusive of ISA address aliases – AD[15:10] is not decoded) <p>Additionally, when Set, forwarding of these addresses is independent of the:</p> <ul style="list-style-type: none"> Memory and I/O Address ranges defined by the bridge I/O Base, I/O Limit, Memory Base, Memory Limit, Prefetchable Memory Base, and Prefetchable Memory Limit registers Bit 2 (<i>ISA Enable</i>) Setting <p>Forwarding of these addresses is qualified by the PCI Command Port 4 register <i>I/O Access Enable</i> and <i>Memory Access Enable</i> bits. The default state of this bit after reset must be 0. 0 = Do not forward VGA-compatible Memory and I/O addresses from the primary to the secondary interface (addresses defined above) unless they are enabled for forwarding by the defined Memory and I/O Address ranges 1 = Forward VGA-compatible Memory and I/O addresses (addresses defined above) from the primary interface to the secondary interface (when the <i>I/O Access Enable</i> and <i>Memory Access Enable</i> bits are Set), independent of the Memory and I/O Address ranges and independent of the <i>ISA Enable</i> bit</p> | RW | Yes | 0 |

Register 12-277. E28h Bridge Control Port 4 (Only Ports 0, 4, and 8) (Cont.)

| Bit(s) | Description | Type | Serial EEPROM and I ² C | Default |
|--------|---|-------|------------------------------------|---------|
| 4 | <p>VGA 16-Bit Enable</p> <p>Used only when bit 3 (<i>VGA Enable</i>) is also Set, enabling VGA I/O decoding and forwarding by the bridge. Status after reset is 0.</p> <p>Enables system configuration software to select between 10- and 16-bit I/O address decoding, for VGA I/O register accesses forwarded from the primary interface to the secondary interface.</p> <p>0 = Execute 10-bit address decodes on VGA I/O accesses 1 = Execute 16-bit address decodes on VGA I/O accesses</p> | RW | Yes | 0 |
| 15:5 | <i>Reserved</i> | RsvdP | No | 0-0h |

Register 12-278. E2Ah Bridge Control Port 5 (Only Ports 0, 4, and 8)

| Bit(s) | Description | Type | Serial EEPROM and I ² C | Default |
|--------|--|-------|------------------------------------|---------|
| 0 | <i>Reserved</i> | RsvdP | No | 0 |
| 1 | <p>SERR# Enable Controls forwarding of ERR_COR, ERR_FATAL, and ERR_NONFATAL from the secondary interface to the primary interface. When Set, and the PCI Command Port 5 register <i>SERR# Enable</i> bit is also Set, enables the PCI Status register <i>Signaled System Error</i> bit.</p> | RW | Yes | 0 |
| 2 | <p>ISA Enable Modifies the bridge response to ISA I/O addresses. Applies only to I/O addresses, enabled by the I/O Base and I/O Limit registers, that are within the first 64 KB of PCI I/O Address space (0000_0000h to 0000_FFFFh). When Set, the bridge blocks forwarding of I/O transactions from the primary to secondary interface that address the last 768 bytes in each 1-KB block. In the opposite direction (secondary to primary interface), I/O transactions are forwarded if they address the last 768 bytes in each 1-KB block. The default state of this bit after reset must be 0. 0 = Forward downstream all I/O addresses in the Address range defined by the I/O Base and I/O Limit registers 1 = Forward upstream ISA I/O addresses in the Address range defined by the I/O Base and I/O Limit registers that are within the first 64 KB of PCI I/O Address space (top 768 bytes of each 1-KB block)</p> | RW | Yes | 0 |
| 3 | <p>VGA Enable Modifies the bridge response to VGA-compatible addresses. When Set, the bridge positively decodes and forwards the following addresses on the primary interface to the secondary interface (and, conversely, blocks forwarding of these addresses from the secondary interface to the primary interface):</p> <ul style="list-style-type: none"> Memory addresses within the range 000A_0000h to 000B_FFFFh I/O addresses in the first 64 KB of the I/O Address space (AD[31:16] is 0000h), where AD[9:0] is within the ranges 3B0h to 3BBh and 3C0h to 3DFh (inclusive of ISA address aliases – AD[15:10] is not decoded) <p>Additionally, when Set, forwarding of these addresses is independent of the:</p> <ul style="list-style-type: none"> Memory and I/O Address ranges defined by the bridge I/O Base, I/O Limit, Memory Base, Memory Limit, Prefetchable Memory Base, and Prefetchable Memory Limit registers Bit 2 (<i>ISA Enable</i>) Setting <p>Forwarding of these addresses is qualified by the PCI Command Port 5 register <i>I/O Access Enable</i> and <i>Memory Access Enable</i> bits. The default state of this bit after reset must be 0. 0 = Do not forward VGA-compatible Memory and I/O addresses from the primary to the secondary interface (addresses defined above) unless they are enabled for forwarding by the defined Memory and I/O Address ranges 1 = Forward VGA-compatible Memory and I/O addresses (addresses defined above) from the primary interface to the secondary interface (when the <i>I/O Access Enable</i> and <i>Memory Access Enable</i> bits are Set), independent of the Memory and I/O Address ranges and independent of the <i>ISA Enable</i> bit</p> | RW | Yes | 0 |

Register 12-278. E2Ah Bridge Control Port 5 (Only Ports 0, 4, and 8) (Cont.)

| Bit(s) | Description | Type | Serial EEPROM and I ² C | Default |
|--------|---|-------|------------------------------------|---------|
| 4 | <p>VGA 16-Bit Enable</p> <p>Used only when bit 3 (<i>VGA Enable</i>) is also Set, enabling VGA I/O decoding and forwarding by the bridge. Status after reset is 0.</p> <p>Enables system configuration software to select between 10- and 16-bit I/O address decoding, for VGA I/O register accesses forwarded from the primary interface to the secondary interface.</p> <p>0 = Execute 10-bit address decodes on VGA I/O accesses 1 = Execute 16-bit address decodes on VGA I/O accesses</p> | RW | Yes | 0 |
| 15:5 | <i>Reserved</i> | RsvdP | No | 0-0h |

Register 12-279. E2Ch Bridge Control Port 6 (Only Ports 0, 4, and 8)

| Bit(s) | Description | Type | Serial EEPROM and I ² C | Default |
|--------|--|-------|------------------------------------|---------|
| 0 | <i>Reserved</i> | RsvdP | No | 0 |
| 1 | <p>SERR# Enable Controls forwarding of ERR_COR, ERR_FATAL, and ERR_NONFATAL from the secondary interface to the primary interface. When Set, and the PCI Command Port 6 register <i>SERR# Enable</i> bit is also Set, enables the PCI Status register <i>Signaled System Error</i> bit.</p> | RW | Yes | 0 |
| 2 | <p>ISA Enable Modifies the bridge response to ISA I/O addresses. Applies only to I/O addresses, enabled by the I/O Base and I/O Limit registers, that are within the first 64 KB of PCI I/O Address space (0000_0000h to 0000_FFFFh). When Set, the bridge blocks forwarding of I/O transactions from the primary to secondary interface that address the last 768 bytes in each 1-KB block. In the opposite direction (secondary to primary interface), I/O transactions are forwarded if they address the last 768 bytes in each 1-KB block. The default state of this bit after reset must be 0. 0 = Forward downstream all I/O addresses in the Address range defined by the I/O Base and I/O Limit registers 1 = Forward upstream ISA I/O addresses in the Address range defined by the I/O Base and I/O Limit registers that are within the first 64 KB of PCI I/O Address space (top 768 bytes of each 1-KB block)</p> | RW | Yes | 0 |
| 3 | <p>VGA Enable Modifies the bridge response to VGA-compatible addresses. When Set, the bridge positively decodes and forwards the following addresses on the primary interface to the secondary interface (and, conversely, blocks forwarding of these addresses from the secondary interface to the primary interface):</p> <ul style="list-style-type: none"> Memory addresses within the range 000A_0000h to 000B_FFFFh I/O addresses in the first 64 KB of the I/O Address space (AD[31:16] is 0000h), where AD[9:0] is within the ranges 3B0h to 3BBh and 3C0h to 3DFh (inclusive of ISA address aliases – AD[15:10] is not decoded) <p>Additionally, when Set, forwarding of these addresses is independent of the:</p> <ul style="list-style-type: none"> Memory and I/O Address ranges defined by the bridge I/O Base, I/O Limit, Memory Base, Memory Limit, Prefetchable Memory Base, and Prefetchable Memory Limit registers Bit 2 (<i>ISA Enable</i>) Setting <p>Forwarding of these addresses is qualified by the PCI Command Port 6 register <i>I/O Access Enable</i> and <i>Memory Access Enable</i> bits. The default state of this bit after reset must be 0. 0 = Do not forward VGA-compatible Memory and I/O addresses from the primary to the secondary interface (addresses defined above) unless they are enabled for forwarding by the defined Memory and I/O Address ranges 1 = Forward VGA-compatible Memory and I/O addresses (addresses defined above) from the primary interface to the secondary interface (when the <i>I/O Access Enable</i> and <i>Memory Access Enable</i> bits are Set), independent of the Memory and I/O Address ranges and independent of the <i>ISA Enable</i> bit</p> | RW | Yes | 0 |

Register 12-279. E2Ch Bridge Control Port 6 (Only Ports 0, 4, and 8) (Cont.)

| Bit(s) | Description | Type | Serial EEPROM and I ² C | Default |
|--------|---|-------|------------------------------------|---------|
| 4 | <p>VGA 16-Bit Enable</p> <p>Used only when bit 3 (<i>VGA Enable</i>) is also Set, enabling VGA I/O decoding and forwarding by the bridge. Status after reset is 0.</p> <p>Enables system configuration software to select between 10- and 16-bit I/O address decoding, for VGA I/O register accesses forwarded from the primary interface to the secondary interface.</p> <p>0 = Execute 10-bit address decodes on VGA I/O accesses 1 = Execute 16-bit address decodes on VGA I/O accesses</p> | RW | Yes | 0 |
| 15:5 | <i>Reserved</i> | RsvdP | No | 0-0h |

Register 12-280. E30h Bridge Control Port 8 (Only Ports 0, 4, and 8)

| Bit(s) | Description | Type | Serial EEPROM and I ² C | Default |
|--------|--|-------|------------------------------------|---------|
| 0 | <i>Reserved</i> | RsvdP | No | 0 |
| 1 | <p>SERR# Enable Controls forwarding of ERR_COR, ERR_FATAL, and ERR_NONFATAL from the secondary interface to the primary interface. When Set, and the PCI Command Port 8 register <i>SERR# Enable</i> bit is also Set, enables the PCI Status register <i>Signaled System Error</i> bit.</p> | RW | Yes | 0 |
| 2 | <p>ISA Enable Modifies the bridge response to ISA I/O addresses. Applies only to I/O addresses, enabled by the I/O Base and I/O Limit registers, that are within the first 64 KB of PCI I/O Address space (0000_0000h to 0000_FFFFh). When Set, the bridge blocks forwarding of I/O transactions from the primary to secondary interface that address the last 768 bytes in each 1-KB block. In the opposite direction (secondary to primary interface), I/O transactions are forwarded if they address the last 768 bytes in each 1-KB block. The default state of this bit after reset must be 0. 0 = Forward downstream all I/O addresses in the Address range defined by the I/O Base and I/O Limit registers 1 = Forward upstream ISA I/O addresses in the Address range defined by the I/O Base and I/O Limit registers that are within the first 64 KB of PCI I/O Address space (top 768 bytes of each 1-KB block)</p> | RW | Yes | 0 |
| 3 | <p>VGA Enable Modifies the bridge response to VGA-compatible addresses. When Set, the bridge positively decodes and forwards the following addresses on the primary interface to the secondary interface (and, conversely, blocks forwarding of these addresses from the secondary interface to the primary interface):</p> <ul style="list-style-type: none"> Memory addresses within the range 000A_0000h to 000B_FFFFh I/O addresses in the first 64 KB of the I/O Address space (AD[31:16] is 0000h), where AD[9:0] is within the ranges 3B0h to 3BBh and 3C0h to 3DFh (inclusive of ISA address aliases – AD[15:10] is not decoded) <p>Additionally, when Set, forwarding of these addresses is independent of the:</p> <ul style="list-style-type: none"> Memory and I/O Address ranges defined by the bridge I/O Base, I/O Limit, Memory Base, Memory Limit, Prefetchable Memory Base, and Prefetchable Memory Limit registers Bit 2 (<i>ISA Enable</i>) Setting <p>Forwarding of these addresses is qualified by the PCI Command Port 8 register <i>I/O Access Enable</i> and <i>Memory Access Enable</i> bits. The default state of this bit after reset must be 0. 0 = Do not forward VGA-compatible Memory and I/O addresses from the primary to the secondary interface (addresses defined above) unless they are enabled for forwarding by the defined Memory and I/O Address ranges 1 = Forward VGA-compatible Memory and I/O addresses (addresses defined above) from the primary interface to the secondary interface (when the <i>I/O Access Enable</i> and <i>Memory Access Enable</i> bits are Set), independent of the Memory and I/O Address ranges and independent of the <i>ISA Enable</i> bit</p> | RW | Yes | 0 |

Register 12-280. E30h Bridge Control Port 8 (Only Ports 0, 4, and 8) (Cont.)

| Bit(s) | Description | Type | Serial EEPROM and I ² C | Default |
|--------|---|-------|------------------------------------|---------|
| 4 | <p>VGA 16-Bit Enable</p> <p>Used only when bit 3 (<i>VGA Enable</i>) is also Set, enabling VGA I/O decoding and forwarding by the bridge. Status after reset is 0.</p> <p>Enables system configuration software to select between 10- and 16-bit I/O address decoding, for VGA I/O register accesses forwarded from the primary interface to the secondary interface.</p> <p>0 = Execute 10-bit address decodes on VGA I/O accesses 1 = Execute 16-bit address decodes on VGA I/O accesses</p> | RW | Yes | 0 |
| 15:5 | <i>Reserved</i> | RsvdP | No | 0-0h |

Register 12-281. E32h Bridge Control Port 9 (Only Ports 0, 4, and 8)

| Bit(s) | Description | Type | Serial EEPROM and I ² C | Default |
|--------|--|-------|------------------------------------|---------|
| 0 | <i>Reserved</i> | RsvdP | No | 0 |
| 1 | <p>SERR# Enable Controls forwarding of ERR_COR, ERR_FATAL, and ERR_NONFATAL from the secondary interface to the primary interface. When Set, and the PCI Command Port 9 register <i>SERR# Enable</i> bit is also Set, enables the PCI Status register <i>Signaled System Error</i> bit.</p> | RW | Yes | 0 |
| 2 | <p>ISA Enable Modifies the bridge response to ISA I/O addresses. Applies only to I/O addresses, enabled by the I/O Base and I/O Limit registers, that are within the first 64 KB of PCI I/O Address space (0000_0000h to 0000_FFFFh). When Set, the bridge blocks forwarding of I/O transactions from the primary to secondary interface that address the last 768 bytes in each 1-KB block. In the opposite direction (secondary to primary interface), I/O transactions are forwarded if they address the last 768 bytes in each 1-KB block. The default state of this bit after reset must be 0. 0 = Forward downstream all I/O addresses in the Address range defined by the I/O Base and I/O Limit registers 1 = Forward upstream ISA I/O addresses in the Address range defined by the I/O Base and I/O Limit registers that are within the first 64 KB of PCI I/O Address space (top 768 bytes of each 1-KB block)</p> | RW | Yes | 0 |
| 3 | <p>VGA Enable Modifies the bridge response to VGA-compatible addresses. When Set, the bridge positively decodes and forwards the following addresses on the primary interface to the secondary interface (and, conversely, blocks forwarding of these addresses from the secondary interface to the primary interface):</p> <ul style="list-style-type: none"> Memory addresses within the range 000A_0000h to 000B_FFFFh I/O addresses in the first 64 KB of the I/O Address space (AD[31:16] is 0000h), where AD[9:0] is within the ranges 3B0h to 3BBh and 3C0h to 3DFh (inclusive of ISA address aliases – AD[15:10] is not decoded) <p>Additionally, when Set, forwarding of these addresses is independent of the:</p> <ul style="list-style-type: none"> Memory and I/O Address ranges defined by the bridge I/O Base, I/O Limit, Memory Base, Memory Limit, Prefetchable Memory Base, and Prefetchable Memory Limit registers Bit 2 (<i>ISA Enable</i>) Setting <p>Forwarding of these addresses is qualified by the PCI Command Port 9 register <i>I/O Access Enable</i> and <i>Memory Access Enable</i> bits. The default state of this bit after reset must be 0. 0 = Do not forward VGA-compatible Memory and I/O addresses from the primary to the secondary interface (addresses defined above) unless they are enabled for forwarding by the defined Memory and I/O Address ranges 1 = Forward VGA-compatible Memory and I/O addresses (addresses defined above) from the primary interface to the secondary interface (when the <i>I/O Access Enable</i> and <i>Memory Access Enable</i> bits are Set), independent of the Memory and I/O Address ranges and independent of the <i>ISA Enable</i> bit</p> | RW | Yes | 0 |

Register 12-281. E32h Bridge Control Port 9 (Only Ports 0, 4, and 8) (Cont.)

| Bit(s) | Description | Type | Serial EEPROM and I ² C | Default |
|--------|---|-------|------------------------------------|---------|
| 4 | <p>VGA 16-Bit Enable</p> <p>Used only when bit 3 (<i>VGA Enable</i>) is also Set, enabling VGA I/O decoding and forwarding by the bridge. Status after reset is 0.</p> <p>Enables system configuration software to select between 10- and 16-bit I/O address decoding, for VGA I/O register accesses forwarded from the primary interface to the secondary interface.</p> <p>0 = Execute 10-bit address decodes on VGA I/O accesses 1 = Execute 16-bit address decodes on VGA I/O accesses</p> | RW | Yes | 0 |
| 15:5 | <i>Reserved</i> | RsvdP | No | 0-0h |

12.16.13 Device-Specific Registers – Source Queue Weight and Soft Error (Offsets F00h – F30h)

This section details the Device-Specific Source Queue Weight and Soft Error registers. [Table 12-55](#) defines the register map.

Table 12-55. Device-Specific Source Queue Weight and Soft Error Register Map^a

| 31 | 30 | 29 | 28 | 27 | 26 | 25 | 24 | 23 | 22 | 21 | 20 | 19 | 18 | 17 | 16 | 15 | 14 | 13 | 12 | 11 | 10 | 9 | 8 | 7 | 6 | 5 | 4 | 3 | 2 | 1 | 0 | |
|---------------------------|----|----|----|----|----|----|----|----|----|--------------------------|----|----|----|----|----|----|----|----|----|----|------|---|---|---|---|---|---|--------|------|---|---|--|
| <i>Reserved</i> | | | | | | | | | | | | | | | | | | | | | | | | | | | | F00h – | F0Ch | | | |
| Port Egress TLP Threshold | | | | | | | | | | | | | | | | | | | | | | | | | | | | | F10h | | | |
| <i>Reserved</i> | | | | | | | | | | | | | | | | | | | | | | | | | | | | | F14h | | | |
| Soft Error Counters 1 | | | | | | | | | | | | | | | | | | | | | | | | | | | | | F18h | | | |
| <i>Factory Test Only</i> | | | | | | | | | | Soft Error Counters 2 | | | | | | | | | | | F1Ch | | | | | | | | | | | |
| Soft Error Counters 3 | | | | | | | | | | <i>Factory Test Only</i> | | | | | | | | | | | F20h | | | | | | | | | | | |
| Soft Error Counters 4 | | | | | | | | | | | | | | | | | | | | | | | | | | | | | F24h | | | |
| <i>Reserved</i> | | | | | | | | | | Soft Error Counters 5 | | | | | | | | | | | F28h | | | | | | | | | | | |
| Soft Error Counters 6 | | | | | | | | | | <i>Reserved</i> | | | | | | | | | | | F2Ch | | | | | | | | | | | |
| Soft Error Injection | | | | | | | | | | | | | | | | | | | | | | | | | | | | | F30h | | | |

- a. Register offset F10h is Port-specific, the remaining registers in this structure are Station-specific; all are device-specific.

Register 12-282. F10h Port Egress TLP Threshold (All Ports)

| Bit(s) | Description | Type | Serial EEPROM and I ² C | Default |
|---|--|-------|------------------------------------|---------|
| <i>Caution: Read Pacing and Source Queuing should not be concurrently enabled. The two features are incompatible and doing so can result in Fatal errors.</i> | | | | |
| 10:0 | <p>Port Lower TLP Counter</p> <p>When Source Scheduling is disabled due to the Port Upper TLP Counter (threshold) being exceeded, Source Scheduling is re-enabled when the Port TLP Counter goes below the Port Lower TLP Counter (this threshold). Because the default Setting of this field is 7FFh (2,047), which is greater than the maximum amount of TLPs that can be queued in the PEX 8624, the Source Scheduler is disabled, by default.</p> | RWS | Yes | 7FFh |
| 15:11 | <i>Reserved</i> | RsvdP | No | 00h |
| 26:16 | <p>Port Upper TLP Counter</p> <p>When the Port TLP Counter is greater than or equal to this value, the Source Scheduler disables TLP Scheduling to this egress Port. Because the default Setting of this field is 7FFh (2,047), which is greater than the maximum amount of TLPs that can be queued in the PEX 8624, the Source Scheduler is disabled, by default.</p> | RWS | Yes | 7FFh |
| 31:27 | <i>Reserved</i> | RsvdP | No | 00h |

Register 12-283. F18h Soft Error Counters 1 (Only Ports 0, 4, and 8)

| Bit(s) | Description | Type | Serial EEPROM and I ² C | Default |
|--------|---|------|------------------------------------|---------|
| 7:0 | Station 0 Packet RAM0 Instance 0 1-Bit Soft Error Counter Value | RO | No | 00h |
| 15:8 | Station 0 Packet RAM0 Instance 1 1-Bit Soft Error Counter Value | RO | No | 00h |
| 23:16 | Station 1 Packet RAM0 Instance 0 1-Bit Soft Error Counter Value | RO | No | 00h |
| 31:24 | Station 1 Packet RAM0 Instance 1 1-Bit Soft Error Counter Value | RO | No | 00h |

Register 12-284. F1Ch Soft Error Counters 2 (Only Ports 0, 4, and 8)

| Bit(s) | Description | Type | Serial EEPROM and I ² C | Default |
|--------|---|------|------------------------------------|---------|
| 7:0 | Station 2 Packet RAM0 Instance 0 1-Bit Soft Error Counter Value | RO | No | 00h |
| 15:8 | Station 2 Packet RAM0 Instance 1 1-Bit Soft Error Counter Value | RO | No | 00h |
| 31:16 | <i>Factory Test Only</i> | RO | No | 0000h |

Register 12-285. F20h Soft Error Counters 3 (Only Ports 0, 4, and 8)

| Bit(s) | Description | Type | Serial EEPROM and I ² C | Default |
|--------|---|------|------------------------------------|---------|
| 7:0 | <i>Factory Test Only</i> | RO | No | 00h |
| 15:8 | Station 0 Header RAM 1-Bit Soft Error Counter Value | RO | No | 00h |
| 23:16 | Station 1 Header RAM 1-Bit Soft Error Counter Value | RO | No | 00h |
| 31:24 | Station 2 Header RAM 1-Bit Soft Error Counter Value | RO | No | 00h |

Register 12-286. F24h Soft Error Counters 4 (Only Ports 0, 4, and 8)

| Bit(s) | Description | Type | Serial EEPROM and I ² C | Default |
|--------|---|------|------------------------------------|---------|
| 7:0 | Station 0 Packet RAM1 Instance 0 1-Bit Soft Error Counter Value | RO | No | 00h |
| 15:8 | Station 0 Packet RAM1 Instance 1 1-Bit Soft Error Counter Value | RO | No | 00h |
| 23:16 | Station 1 Packet RAM1 Instance 0 1-Bit Soft Error Counter Value | RO | No | 00h |
| 31:24 | Station 1 Packet RAM1 Instance 1 1-Bit Soft Error Counter Value | RO | No | 00h |

Register 12-287. F28h Soft Error Counters 5 (Only Ports 0, 4, and 8)

| Bit(s) | Description | Type | Serial EEPROM and I ² C | Default |
|--------|---|-------|------------------------------------|---------|
| 7:0 | Station 2 Packet RAM1 Instance 0 1-Bit Soft Error Counter Value | RO | No | 00h |
| 15:8 | Station 2 Packet RAM1 Instance 1 1-Bit Soft Error Counter Value | RO | No | 00h |
| 31:16 | <i>Reserved</i> | RsvdP | No | 0000h |

Register 12-288. F2Ch Soft Error Counters 6 (Only Ports 0, 4, and 8)

| Bit(s) | Description | Type | Serial EEPROM and I ² C | Default |
|--------|---|-------|------------------------------------|---------|
| 7:0 | <i>Reserved</i> | RsvdP | No | 00h |
| 15:8 | Destination Queue Link List RAM 1-Bit Soft Error Counter Value | RO | No | 00h |
| 23:16 | Source Queue Link List RAM 1-Bit Soft Error Counter Value | RO | No | 00h |
| 31:24 | 32 Entry Retry Buffer 1-Bit Soft Error Counter Value | RO | No | 00h |

Register 12-289. F30h Soft Error Injection (Only Ports 0, 4, and 8, and also NT Port Virtual Interface if Port 0 is the NT Port)

| Bit(s) | Description | Ports | Type | Serial EEPROM and I ² C | Default |
|--------|---|------------------------------------|-------|------------------------------------|---------|
| 0 | Destination Queue Link List RAM Instance 0 1-Bit Soft Error Injection Toggle Every toggle injects an error. | | RWS | Yes | 0 |
| 1 | Destination Queue Link List RAM Instance 0 2-Bit Soft Error Injection Toggle Every toggle injects an error. | | RWS | Yes | 0 |
| 2 | Destination Queue Link List RAM Instance 0 Error Injection Field Select 0 = Inject Soft error in the <i>ECC Code</i> field 1 = Inject Soft error in the <i>Data</i> field | | RWS | Yes | 0 |
| 3 | Destination Queue Link List RAM Instance 1 1-Bit Soft Error Injection Toggle Every toggle injects an error. <i>Note: This bit is valid only on upstream Port 0, and reserved on all other Ports.</i> | Upstream Port 0 (refer to Note) | RWS | Yes | 0 |
| | <i>Reserved</i> | All other Ports | RsvdP | No | 0 |
| 4 | Destination Queue Link List RAM Instance 1 2-Bit Soft Error Injection Toggle Every toggle injects an error. | | RWS | Yes | 0 |
| 5 | Destination Queue Link List RAM Instance 1 Error Injection Field Select 0 = Inject Soft error in the <i>ECC Code</i> field 1 = Inject Soft error in the <i>Data</i> field | | RWS | Yes | 0 |
| 8:6 | <i>Reserved</i> | | RsvdP | No | 000b |
| 9 | 32 Entry Retry Buffer 1-Bit Soft Error Injection Toggle Every toggle injects an error. | | RWS | Yes | 0 |
| 10 | 32 Entry Retry Buffer 2-Bit Soft Error Injection Toggle Every toggle injects an error. | | RWS | Yes | 0 |
| 11 | 32 Entry Retry Buffer Soft Error Injection Field Select 0 = Inject Soft error in the <i>ECC Code</i> field 1 = Inject Soft error in the <i>Data</i> field | | RWS | Yes | 0 |
| 31:12 | <i>Reserved</i> | | RsvdP | No | 0000_0h |

12.16.14 Device-Specific Registers – Read Pacing (Offsets F34h – F3Ch)

Caution: *Source Queuing and Read Pacing should not be concurrently enabled. The two features are incompatible and doing so can result in Fatal errors.*

This section details the Device-Specific Read Pacing registers. Although the Read Pacing feature is supported on all Ports, its registers are implemented as follows. If Port 0 is the NT Port, the NT Port Virtual Interface implements this register. Otherwise, Port 0 implements this register.

Read Pacing is described, in detail, in [Section 8.7, “Read Pacing.”](#) [Table 12-56](#) defines the register map.

Table 12-56. Device-Specific Read Pacing Register Map (Only Upstream Port 0, or NT Port Virtual Interface (if Port 0 is the NT Port); Reserved (RsvdP) for All Other Ports)

| | | |
|---|---------------------------------------|------|
| 31 30 29 28 27 26 25 24 23 22 21 20 19 18 17 16 | 15 14 13 12 11 10 9 8 7 6 5 4 3 2 1 0 | |
| Read Pacing Control | | F34h |
| Read Pacing Threshold 1 | <i>Reserved</i> | F38h |
| Read Pacing Threshold 2 | | F3Ch |

Register 12-290. F34h Read Pacing Control (Only Upstream Port 0, or NT Port Virtual Interface (if Port 0 is the NT Port); Reserved (RsvdP) for All Other Ports)

| Bit(s) | Description | Type | Serial EEPROM and I ² C | Default |
|--|--|-------|------------------------------------|---------|
| <p>Caution: <i>Read Pacing and Source Queuing should not be concurrently enabled. The two features are incompatible and doing so can result in Fatal errors.</i></p> <p>Notes: <i>Read Pacing must be enabled for Read Spreading to be enabled. (That is, for a Port to have Read Spreading enabled, the corresponding Port bits within this register, for both Read Pacing and Read Spreading, must both be Cleared.)</i></p> <p><i>If Port 0 is the NT Port, the NT Port Virtual Interface implements this register. Otherwise, Port 0 implements this register.</i></p> | | | | |
| 0 | Port 0 Read Pacing Disable 0 = Read Pacing is enabled for this Port 1 = Read Pacing is disabled for this Port | RWS | Yes | 1 |
| 1 | Port 1 Read Pacing Disable 0 = Read Pacing is enabled for this Port 1 = Read Pacing is disabled for this Port | RWS | Yes | 1 |
| 4:2 | Factory Test Only | RsvdP | No | 000b |
| 5 | Port 5 Read Pacing Disable 0 = Read Pacing is enabled for this Port 1 = Read Pacing is disabled for this Port | RWS | Yes | 1 |
| 6 | Port 6 Read Pacing Disable 0 = Read Pacing is enabled for this Port 1 = Read Pacing is disabled for this Port | RWS | Yes | 1 |
| 7 | Factory Test Only | RsvdP | No | 0 |
| 8 | Port 8 Read Pacing Disable 0 = Read Pacing is enabled for this Port 1 = Read Pacing is disabled for this Port | RWS | Yes | 1 |
| 9 | Port 9 Read Pacing Disable 0 = Read Pacing is enabled for this Port 1 = Read Pacing is disabled for this Port | RWS | Yes | 1 |
| 11:10 | Factory Test Only | RsvdP | No | 00b |
| 15:12 | Reserved | RsvdP | No | 0h |

Register 12-290. F34h Read Pacing Control (Only Upstream Port 0, or NT Port Virtual Interface (if Port 0 is the NT Port); Reserved (RsvdP) for All Other Ports)

| Bit(s) | Description | Type | Serial EEPROM and I ² C | Default |
|--------|--|-------|------------------------------------|---------|
| 16 | Port 0 Memory Read Spreading Disable 0 = Memory Read Spreading is enabled for this Port 1 = Memory Read Spreading is disabled for this Port | RWS | Yes | 0 |
| 17 | Port 1 Memory Read Spreading Disable 0 = Memory Read Spreading is enabled for this Port 1 = Memory Read Spreading is disabled for this Port | RWS | Yes | 0 |
| 20:18 | <i>Factory Test Only</i> | RsvdP | No | 000b |
| 21 | Port 5 Memory Read Spreading Disable 0 = Memory Read Spreading is enabled for this Port 1 = Memory Read Spreading is disabled for this Port | RWS | Yes | 0 |
| 22 | Port 6 Memory Read Spreading Disable 0 = Memory Read Spreading is enabled for this Port 1 = Memory Read Spreading is disabled for this Port | RWS | Yes | 0 |
| 23 | <i>Factory Test Only</i> | RsvdP | No | 0 |
| 24 | Port 8 Memory Read Spreading Disable 0 = Memory Read Spreading is enabled for this Port 1 = Memory Read Spreading is disabled for this Port | RWS | Yes | 0 |
| 25 | Port 9 Memory Read Spreading Disable 0 = Memory Read Spreading is enabled for this Port 1 = Memory Read Spreading is disabled for this Port | RWS | Yes | 0 |
| 27:26 | <i>Factory Test Only</i> | RsvdP | No | 00b |
| 31:28 | <i>Reserved</i> | RsvdP | No | 0h |

Register 12-291. F38h Read Pacing Threshold 1 (Only Upstream Port 0, or NT Port Virtual Interface (if Port 0 is the NT Port); Reserved (RsvdP) for All Other Ports)

| Bit(s) | Description | Type | Serial EEPROM and I ² C | Default |
|--|--|-------|------------------------------------|---------|
| <i>Note: If Port 0 is the NT Port, the NT Port Virtual Interface implements this register. Otherwise, Port 0 implements this register.</i> | | | | |
| 15:0 | <i>Reserved</i> | RsvdP | No | 0000h |
| 28:16 | x8 Port Memory Read Outstanding Threshold Specified in DWords. Default value of 600h programs the threshold to 6 KB. | RWS | Yes | 600h |
| 31:29 | <i>Reserved</i> | RsvdP | No | 000b |

Register 12-292. F3Ch Read Pacing Threshold 2 (Only Upstream Port 0, or NT Port Virtual Interface (if Port 0 is the NT Port); Reserved (RsvdP) for All Other Ports)

| Bit(s) | Description | Type | Serial EEPROM and I ² C | Default |
|--|---|-------|------------------------------------|---------|
| <i>Note: If Port 0 is the NT Port, the NT Port Virtual Interface implements this register. Otherwise, Port 0 implements this register.</i> | | | | |
| 12:0 | x4 Port Memory Read Outstanding Threshold Specified in DWords. Default value of 400h programs the threshold to 4 KB, for x4, as well as x2, Ports. | RWS | Yes | 400h |
| 15:13 | Reserved | RsvdP | No | 000b |
| 16 | Port 0 Memory Read Outstanding Counter Reset Provides a mechanism for Clearing the Counter when an error condition occurs, with either the device that issued the Read Request, or the device that was to provide the Read Completions, where a System Level Reset will not be issued. If the Counter is not Cleared after an error condition such as this, the threshold will not be accurate. 0 = Read Outstanding Counter value increments, with each outstanding Read 1 = Resets Read Outstanding Counter | RWS | Yes | 0 |
| 17 | Port 1 Memory Read Outstanding Counter Reset Provides a mechanism for Clearing the Counter when an error condition occurs, with either the device that issued the Read Request, or the device that was to provide the Read Completions, where a System Level Reset will not be issued. If the Counter is not Cleared after an error condition such as this, the threshold will not be accurate. 0 = Read Outstanding Counter value increments, with each outstanding Read 1 = Resets Read Outstanding Counter | RWS | Yes | 0 |
| 20:18 | Factory Test Only | RsvdP | No | 000b |
| 21 | Port 5 Memory Read Outstanding Counter Reset Provides a mechanism for Clearing the Counter when an error condition occurs, with either the device that issued the Read Request, or the device that was to provide the Read Completions, where a System Level Reset will not be issued. If the Counter is not Cleared after an error condition such as this, the threshold will not be accurate. 0 = Read Outstanding Counter value increments, with each outstanding Read 1 = Resets Read Outstanding Counter | RWS | Yes | 0 |
| 22 | Port 6 Memory Read Outstanding Counter Reset Provides a mechanism for Clearing the Counter when an error condition occurs, with either the device that issued the Read Request, or the device that was to provide the Read Completions, where a System Level Reset will not be issued. If the Counter is not Cleared after an error condition such as this, the threshold will not be accurate. 0 = Read Outstanding Counter value increments, with each outstanding Read 1 = Resets Read Outstanding Counter | RWS | Yes | 0 |
| 23 | Factory Test Only | RsvdP | No | 0 |

Register 12-292. F3Ch Read Pacing Threshold 2 (Only Upstream Port 0, or NT Port Virtual Interface (if Port 0 is the NT Port); Reserved (RsvdP) for All Other Ports) (Cont.)

| Bit(s) | Description | Type | Serial EEPROM and I ² C | Default |
|--------|---|-------|------------------------------------|---------|
| 24 | <p>Port 8 Memory Read Outstanding Counter Reset</p> <p>Provides a mechanism for Clearing the Counter when an error condition occurs, with either the device that issued the Read Request, or the device that was to provide the Read Completions, where a System Level Reset will not be issued. If the Counter is not Cleared after an error condition such as this, the threshold will not be accurate.</p> <p>0 = Read Outstanding Counter value increments, with each outstanding Read 1 = Resets Read Outstanding Counter</p> | RWS | Yes | 0 |
| 25 | <p>Port 9 Memory Read Outstanding Counter Reset</p> <p>Provides a mechanism for Clearing the Counter when an error condition occurs, with either the device that issued the Read Request, or the device that was to provide the Read Completions, where a System Level Reset will not be issued. If the Counter is not Cleared after an error condition such as this, the threshold will not be accurate.</p> <p>0 = Read Outstanding Counter value increments, with each outstanding Read 1 = Resets Read Outstanding Counter</p> | RWS | Yes | 0 |
| 27:26 | Factory Test Only | RsvdP | No | 00b |
| 31:28 | Reserved | RsvdP | No | 0h |

12.16.15 Device-Specific Registers – Error Reporting (Offsets F40h – F4Ch)

This section details the Device-Specific Error Reporting registers. [Table 12-57](#) defines the register map.

Table 12-57. Device-Specific Error Reporting Register Map (Only Ports 0, 4, and 8, and also NT Port Virtual Interface if Port 0 is the NT Port)

| 31 30 29 28 27 26 25 24 23 22 21 20 19 18 17 16 | 15 14 13 12 11 10 9 8 7 6 5 4 3 2 1 0 | |
|---|---------------------------------------|------|
| Error Reporting Enable for Ports 0, 1 | | F40h |
| Error Reporting Enable for Ports 5, 6 | | F44h |
| Error Reporting Enable for Ports 8, 9 | | F48h |
| <i>Reserved</i> | | F4Ch |

Register 12-293. F40h Error Reporting Enable for Ports 0, 1
(Only Ports 0, 4, and 8, and also NT Port Virtual Interface if Port 0 is the NT Port)

| Bit(s) | Description | Type | Serial EEPROM and I ² C | Default |
|--------|--|-------|------------------------------------|---------|
| 0 | Port 0 Correctable Error Reporting Enable Shadow copy of Device Control register <i>Correctable Error Reporting Enable</i> bit (offset 70h[0]), for Port 0. | RW | Yes | 0 |
| 1 | Port 0 Non-Fatal Error Reporting Enable Shadow copy of Device Control register <i>Non-Fatal Error Reporting Enable</i> bit (offset 70h[1]), for Port 0. | RW | Yes | 0 |
| 2 | Port 0 Fatal Error Reporting Enable Shadow copy of Device Control register <i>Fatal Error Reporting Enable</i> bit (offset 70h[2]), for Port 0. | RW | Yes | 0 |
| 7:3 | <i>Reserved</i> | RsvdP | No | 0-0h |
| 8 | Port 1 Correctable Error Reporting Enable Shadow copy of Device Control register <i>Correctable Error Reporting Enable</i> bit (offset 70h[0]), for Port 1. | RW | Yes | 0 |
| 9 | Port 1 Non-Fatal Error Reporting Enable Shadow copy of Device Control register <i>Non-Fatal Error Reporting Enable</i> bit (offset 70h[1]), for Port 1. | RW | Yes | 0 |
| 10 | Port 1 Fatal Error Reporting Enable Shadow copy of Device Control register <i>Fatal Error Reporting Enable</i> bit (offset 70h[2]), for Port 1. | RW | Yes | 0 |
| 31:11 | <i>Reserved</i> | RsvdP | No | 0-0h |

Register 12-294. F44h Error Reporting Enable for Ports 5, 6
(Only Ports 0, 4, and 8, and also NT Port Virtual Interface if Port 0 is the NT Port)

| Bit(s) | Description | Type | Serial EEPROM and I ² C | Default |
|--------|--|-------|------------------------------------|---------|
| 0 | Port 4 Correctable Error Reporting Enable <i>Factory Test Only</i> | RW | Yes | 0 |
| 1 | Port 4 Non-Fatal Error Reporting Enable <i>Factory Test Only</i> | RW | Yes | 0 |
| 2 | Port 4 Fatal Error Reporting Enable <i>Factory Test Only</i> | RW | Yes | 0 |
| 7:3 | <i>Reserved</i> | RsvdP | No | 0-0h |
| 8 | Port 5 Correctable Error Reporting Enable Shadow copy of Device Control register <i>Correctable Error Reporting Enable</i> bit (offset 70h[0]), for Port 5. | RW | Yes | 0 |
| 9 | Port 5 Non-Fatal Error Reporting Enable Shadow copy of Device Control register <i>Non-Fatal Error Reporting Enable</i> bit (offset 70h[1]), for Port 5. | RW | Yes | 0 |
| 10 | Port 5 Fatal Error Reporting Enable Shadow copy of Device Control register <i>Fatal Error Reporting Enable</i> bit (offset 70h[2]), for Port 5. | RW | Yes | 0 |
| 15:11 | <i>Reserved</i> | RsvdP | No | 0-0h |
| 16 | Port 6 Correctable Error Reporting Enable Shadow copy of Device Control register <i>Correctable Error Reporting Enable</i> bit (offset 70h[0]), for Port 6. | RW | Yes | 0 |
| 17 | Port 6 Non-Fatal Error Reporting Enable Shadow copy of Device Control register <i>Non-Fatal Error Reporting Enable</i> bit (offset 70h[1]), for Port 6. | RW | Yes | 0 |
| 18 | Port 6 Fatal Error Reporting Enable Shadow copy of Device Control register <i>Fatal Error Reporting Enable</i> bit (offset 70h[2]), for Port 6. | RW | Yes | 0 |
| 31:19 | <i>Reserved</i> | RsvdP | No | 0-0h |

Register 12-295. F48h Error Reporting Enable for Ports 8, 9 (Only Ports 0, 4, and 8, and also NT Port Virtual Interface if Port 0 is the NT Port)

| Bit(s) | Description | Type | Serial EEPROM and I ² C | Default |
|--------|--|-------|------------------------------------|---------|
| 0 | Port 8 Correctable Error Reporting Enable Shadow copy of Device Control register <i>Correctable Error Reporting Enable</i> bit (offset 70h[0]), for Port 8. | RW | Yes | 0 |
| 1 | Port 8 Non-Fatal Error Reporting Enable Shadow copy of Device Control register <i>Non-Fatal Error Reporting Enable</i> bit (offset 70h[1]), for Port 8. | RW | Yes | 0 |
| 2 | Port 8 Fatal Error Reporting Enable Shadow copy of Device Control register <i>Fatal Error Reporting Enable</i> bit (offset 70h[2]), for Port 8. | RW | Yes | 0 |
| 7:3 | <i>Reserved</i> | RsvdP | No | 0-0h |
| 8 | Port 9 Correctable Error Reporting Enable Shadow copy of Device Control register <i>Correctable Error Reporting Enable</i> bit (offset 70h[0]), for Port 9. | RW | Yes | 0 |
| 9 | Port 9 Non-Fatal Error Reporting Enable Shadow copy of Device Control register <i>Non-Fatal Error Reporting Enable</i> bit (offset 70h[1]), for Port 9. | RW | Yes | 0 |
| 10 | Port 9 Fatal Error Reporting Enable Shadow copy of Device Control register <i>Fatal Error Reporting Enable</i> bit (offset 70h[2]), for Port 9. | RW | Yes | 0 |
| 31:11 | <i>Reserved</i> | RsvdP | No | 0-0h |

12.16.16 Device-Specific Registers – ARI Capability (Offsets F50h – F8Ch)

This section details the Device-Specific ARI Capability registers, which shadow ARI-related bits at offsets 8Ch[5] and 90h[5], for each Port. Table 12-58 defines the register map.

Table 12-58. Device-Specific ARI Capability Register Map (Only Ports 0, 4, and 8, and also NT Port Virtual Interface if Port 0 is the NT Port)

| 31 | 30 | 29 | 28 | 27 | 26 | 25 | 24 | 23 | 22 | 21 | 20 | 19 | 18 | 17 | 16 | 15 | 14 | 13 | 12 | 11 | 10 | 9 | 8 | 7 | 6 | 5 | 4 | 3 | 2 | 1 | 0 | |
|-----------------------------|----|----|----|----|----|----|----|----|----|----|----|----|----|----|----|--------------------------------|----|----|----|----|----|---|---|---|---|---|---|---|---|---|---|-------------|
| Device Control 2 for Port 0 | | | | | | | | | | | | | | | | Device Capability 2 for Port 0 | | | | | | | | | | | | | | | | F50h |
| Device Control 2 for Port 1 | | | | | | | | | | | | | | | | Device Capability 2 for Port 1 | | | | | | | | | | | | | | | | F54h |
| <i>Factory Test Only</i> | | | | | | | | | | | | | | | | | | | | | | | | | | | | | | | | F58h – F5Ch |
| Device Control 2 for Port 4 | | | | | | | | | | | | | | | | Device Capability 2 for Port 4 | | | | | | | | | | | | | | | | F60h |
| Device Control 2 for Port 5 | | | | | | | | | | | | | | | | Device Capability 2 for Port 5 | | | | | | | | | | | | | | | | F64h |
| Device Control 2 for Port 6 | | | | | | | | | | | | | | | | Device Capability 2 for Port 6 | | | | | | | | | | | | | | | | F68h |
| <i>Factory Test Only</i> | | | | | | | | | | | | | | | | | | | | | | | | | | | | | | | | F6Ch |
| Device Control 2 for Port 8 | | | | | | | | | | | | | | | | Device Capability 2 for Port 8 | | | | | | | | | | | | | | | | F70h |
| Device Control 2 for Port 9 | | | | | | | | | | | | | | | | Device Capability 2 for Port 9 | | | | | | | | | | | | | | | | F74h |
| <i>Factory Test Only</i> | | | | | | | | | | | | | | | | | | | | | | | | | | | | | | | | F78h – F7Ch |
| <i>Reserved</i> | | | | | | | | | | | | | | | | | | | | | | | | | | | | | | | | F80h – F8Ch |

Register 12-296. F50h Device Capability and Control 2 for Port 0
(Only Ports 0, 4, and 8, and also NT Port Virtual Interface if Port 0 is the NT Port)

| Bit(s) | Description | Type | Serial EEPROM and I ² C | Default |
|---------------------------------------|---|-------|------------------------------------|---------|
| Device Capability 2 for Port 0 | | | | |
| 4:0 | <i>Reserved</i> | RsvdP | No | 0-0h |
| 5 | ARI Forwarding Supported 0 = ARI forwarding is not supported 1 = ARI forwarding is supported when the Device Capability 2 register <i>ARI Forwarding Supported</i> bit (offset 8Ch[5]) is Set for this Port | RO | Yes | 1 |
| 15:6 | <i>Reserved</i> | RsvdP | No | 0-0h |
| Device Control 2 for Port 0 | | | | |
| 20:16 | <i>Reserved</i> | RsvdP | No | 0-0h |
| 21 | ARI Forwarding Enable 0 = Disables 1 = Configuration Type 1-to-Type 0 occurs, even if the Device Number is not 0 | RW | Yes | 0 |
| 31:22 | <i>Reserved</i> | RsvdP | No | 0-0h |

Register 12-297. F54h Device Capability and Control 2 for Port 1
(Only Ports 0, 4, and 8, and also NT Port Virtual Interface if Port 0 is the NT Port)

| Bit(s) | Description | Type | Serial EEPROM and I ² C | Default |
|---------------------------------------|---|-------|------------------------------------|---------|
| Device Capability 2 for Port 1 | | | | |
| 4:0 | <i>Reserved</i> | RsvdP | No | 0-0h |
| 5 | ARI Forwarding Supported 0 = ARI forwarding is not supported 1 = ARI forwarding is supported when the Device Capability 2 register <i>ARI Forwarding Supported</i> bit (offset 8Ch[5]) is Set for this Port | RO | Yes | 1 |
| 15:6 | <i>Reserved</i> | RsvdP | No | 0-0h |
| Device Control 2 for Port 1 | | | | |
| 20:16 | <i>Reserved</i> | RsvdP | No | 0-0h |
| 21 | ARI Forwarding Enable 0 = Disables 1 = Configuration Type 1-to-Type 0 occurs, even if the Device Number is not 0 | RW | Yes | 0 |
| 31:22 | <i>Reserved</i> | RsvdP | No | 0-0h |

Register 12-298. F60h Device Capability and Control 2 for Port 4
(Only Ports 0, 4, and 8, and also NT Port Virtual Interface if Port 0 is the NT Port)

| Bit(s) | Description | Type | Serial EEPROM and I ² C | Default |
|---------------------------------------|---|-------|------------------------------------|---------|
| Device Capability 2 for Port 4 | | | | |
| 4:0 | <i>Reserved</i> | RsvdP | No | 0-0h |
| 5 | ARI Forwarding Supported 0 = ARI forwarding is not supported 1 = ARI forwarding is supported when the Device Capability 2 register <i>ARI Forwarding Supported</i> bit (offset 8Ch[5]) is Set for this Port | RO | Yes | 1 |
| 15:6 | <i>Reserved</i> | RsvdP | No | 0-0h |
| Device Control 2 for Port 4 | | | | |
| 20:16 | <i>Reserved</i> | RsvdP | No | 0-0h |
| 21 | ARI Forwarding Enable 0 = Disables 1 = Configuration Type 1-to-Type 0 occurs, even if the Device Number is not 0 | RW | Yes | 0 |
| 31:22 | <i>Reserved</i> | RsvdP | No | 0-0h |

Register 12-299. F64h Device Capability and Control 2 for Port 5
(Only Ports 0, 4, and 8, and also NT Port Virtual Interface if Port 0 is the NT Port)

| Bit(s) | Description | Type | Serial EEPROM and I ² C | Default |
|---------------------------------------|---|-------|------------------------------------|---------|
| Device Capability 2 for Port 5 | | | | |
| 4:0 | <i>Reserved</i> | RsvdP | No | 0-0h |
| 5 | ARI Forwarding Supported 0 = ARI forwarding is not supported 1 = ARI forwarding is supported when the Device Capability 2 register <i>ARI Forwarding Supported</i> bit (offset 8Ch[5]) is Set for this Port | RO | Yes | 1 |
| 15:6 | <i>Reserved</i> | RsvdP | No | 0-0h |
| Device Control 2 for Port 5 | | | | |
| 20:16 | <i>Reserved</i> | RsvdP | No | 0-0h |
| 21 | ARI Forwarding Enable 0 = Disables 1 = Configuration Type 1-to-Type 0 occurs, even if the Device Number is not 0 | RW | Yes | 0 |
| 31:22 | <i>Reserved</i> | RsvdP | No | 0-0h |

Register 12-300. F68h Device Capability and Control 2 for Port 6
(Only Ports 0, 4, and 8, and also NT Port Virtual Interface if Port 0 is the NT Port)

| Bit(s) | Description | Type | Serial EEPROM and I ² C | Default |
|---------------------------------------|---|-------|------------------------------------|---------|
| Device Capability 2 for Port 6 | | | | |
| 4:0 | <i>Reserved</i> | RsvdP | No | 0-0h |
| 5 | ARI Forwarding Supported 0 = ARI forwarding is not supported 1 = ARI forwarding is supported when the Device Capability 2 register <i>ARI Forwarding Supported</i> bit (offset 8Ch[5]) is Set for this Port | RO | Yes | 1 |
| 15:6 | <i>Reserved</i> | RsvdP | No | 0-0h |
| Device Control 2 for Port 6 | | | | |
| 20:16 | <i>Reserved</i> | RsvdP | No | 0-0h |
| 21 | ARI Forwarding Enable 0 = Disables 1 = Configuration Type 1-to-Type 0 occurs, even if the Device Number is not 0 | RW | Yes | 0 |
| 31:22 | <i>Reserved</i> | RsvdP | No | 0-0h |

Register 12-301. F70h Device Capability and Control 2 for Port 8
(Only Ports 0, 4, and 8, and also NT Port Virtual Interface if Port 0 is the NT Port)

| Bit(s) | Description | Type | Serial EEPROM and I ² C | Default |
|---------------------------------------|---|-------|------------------------------------|---------|
| Device Capability 2 for Port 8 | | | | |
| 4:0 | <i>Reserved</i> | RsvdP | No | 0-0h |
| 5 | ARI Forwarding Supported 0 = ARI forwarding is not supported 1 = ARI forwarding is supported when the Device Capability 2 register <i>ARI Forwarding Supported</i> bit (offset 8Ch[5]) is Set for this Port | RO | Yes | 1 |
| 15:6 | <i>Reserved</i> | RsvdP | No | 0-0h |
| Device Control 2 for Port 8 | | | | |
| 20:16 | <i>Reserved</i> | RsvdP | No | 0-0h |
| 21 | ARI Forwarding Enable 0 = Disables 1 = Configuration Type 1-to-Type 0 occurs, even if the Device Number is not 0 | RW | Yes | 0 |
| 31:22 | <i>Reserved</i> | RsvdP | No | 0-0h |

Register 12-302. F74h Device Capability and Control 2 for Port 9
(Only Ports 0, 4, and 8, and also NT Port Virtual Interface if Port 0 is the NT Port)

| Bit(s) | Description | Type | Serial EEPROM and I ² C | Default |
|---------------------------------------|---|-------|------------------------------------|---------|
| Device Capability 2 for Port 9 | | | | |
| 4:0 | <i>Reserved</i> | RsvdP | No | 0-0h |
| 5 | ARI Forwarding Supported 0 = ARI forwarding is not supported 1 = ARI forwarding is supported when the Device Capability 2 register <i>ARI Forwarding Supported</i> bit (offset 8Ch[5]) is Set for this Port | RO | Yes | 1 |
| 15:6 | <i>Reserved</i> | RsvdP | No | 0-0h |
| Device Control 2 for Port 9 | | | | |
| 20:16 | <i>Reserved</i> | RsvdP | No | 0-0h |
| 21 | ARI Forwarding Enable 0 = Disables 1 = Configuration Type 1-to-Type 0 occurs, even if the Device Number is not 0 | RW | Yes | 0 |
| 31:22 | <i>Reserved</i> | RsvdP | No | 0-0h |

12.17 Advanced Error Reporting Extended Capability Registers (Offsets FB4h – FDCh)

This section details the Advanced Error Reporting Extended Capability registers. Table 12-59 defines the register map.

Table 12-59. Advanced Error Reporting Extended Capability Register Map (All Ports)

| 31 30 29 28 27 26 25 24 23 22 21 20 19 18 17 16 | | | | | | | | | | | | | | | | 15 14 13 12 11 10 9 8 7 6 5 4 3 2 1 0 | | | | | | | | | | | | | | | | | | | | | | | | | | | | | | | | |
|---|--|--|--|--|--|--|--|--|--|--|--|--|--|--|--|---------------------------------------|--|--|--|--|--|--|--|--|--|--|--|--|--|--|--|--|--|--|--|--|--|--|--|--|--|--|--|--|--|--|--|--|
| Next Capability Offset (138h or 148h) | | | | | | | | | | | | | | | | Capability Version (1h) | | | | | | | | | | | | | | | | PCI Express Extended Capability ID (0001h) | | | | | | | | | | | | | | | | |
| Uncorrectable Error Status | | | | | | | | | | | | | | | | | | | | | | | | | | | | | | | | FB4h | | | | | | | | | | | | | | | | |
| Uncorrectable Error Mask | | | | | | | | | | | | | | | | | | | | | | | | | | | | | | | | FB8h | | | | | | | | | | | | | | | | |
| Uncorrectable Error Severity | | | | | | | | | | | | | | | | | | | | | | | | | | | | | | | | FBCh | | | | | | | | | | | | | | | | |
| Correctable Error Status | | | | | | | | | | | | | | | | | | | | | | | | | | | | | | | | FC0h | | | | | | | | | | | | | | | | |
| Correctable Error Mask | | | | | | | | | | | | | | | | | | | | | | | | | | | | | | | | FC4h | | | | | | | | | | | | | | | | |
| Advanced Error Capabilities and Control | | | | | | | | | | | | | | | | | | | | | | | | | | | | | | | | FC8h | | | | | | | | | | | | | | | | |
| Header Log 0 | | | | | | | | | | | | | | | | | | | | | | | | | | | | | | | | FCCCh | | | | | | | | | | | | | | | | |
| Header Log 1 | | | | | | | | | | | | | | | | | | | | | | | | | | | | | | | | FD0h | | | | | | | | | | | | | | | | |
| Header Log 2 | | | | | | | | | | | | | | | | | | | | | | | | | | | | | | | | FD4h | | | | | | | | | | | | | | | | |
| Header Log 3 | | | | | | | | | | | | | | | | | | | | | | | | | | | | | | | | FD8h | | | | | | | | | | | | | | | | |
| Header Log 3 | | | | | | | | | | | | | | | | | | | | | | | | | | | | | | | | FDCh | | | | | | | | | | | | | | | | |

Register 12-303. FB4h Advanced Error Reporting Extended Capability Header (All Ports)

| Bit(s) | Description | Ports | Type | Serial EEPROM and I ² C | Default |
|--------|--|--|------|------------------------------------|---------|
| 15:0 | PCI Express Extended Capability ID | | RO | Yes | 0001h |
| 19:16 | Capability Version | | RO | Yes | 1h |
| 31:20 | Next Capability Offset Programmed to 138h, which addresses the upstream Port/NT Port Link Interface Power Budget Extended Capability structure. | Upstream and NT Port Link Interface | RO | Yes | 138h |
| | Programmed to 148h, which addresses the Virtual Channel Extended Capability structure. | Downstream and NT Port Virtual Interface | RO | Yes | 148h |

Register 12-304. FB8h Uncorrectable Error Status (All Ports)

| Bit(s) | Description | Ports | Type | Serial EEPROM and I ² C | Default |
|--------|--|------------|--------------------|------------------------------------|---------|
| 3:0 | <i>Reserved</i> | | RsvdP | No | 0h |
| 4 | Data Link Protocol Error Status 0 = No error is detected 1 = Error is detected | | RWICS ^a | Yes | 0 |
| 5 | <i>Reserved</i> | Upstream | RsvdP | No | 0 |
| | Surprise Down Error Status 0 = No error is detected 1 = Error is detected | Downstream | RWICS ^a | Yes | 0 |
| 11:6 | <i>Reserved</i> | | RsvdP | No | 0-0h |
| 12 | Poisoned TLP Status 0 = No error is detected 1 = Error is detected | | RWICS ^a | Yes | 0 |
| 13 | Flow Control Protocol Error Status <i>Reserved/Not supported</i> | | RsvdP | No | 0 |
| 14 | Completion Timeout Status <i>Not applicable to switches.</i> | | RsvdP | No | 0 |
| 15 | Completer Abort Status | | RWICS ^a | Yes | 0 |
| 16 | Unexpected Completion Status 0 = No error is detected 1 = Error is detected | | RWICS ^a | Yes | 0 |
| 17 | Receiver Overflow Status 0 = No error is detected 1 = Error is detected | | RWICS ^a | Yes | 0 |
| 18 | Malformed TLP Status 0 = No error is detected 1 = Error is detected | | RWICS ^a | Yes | 0 |
| 19 | ECRC Error Status 0 = No error is detected 1 = Error is detected | | RWICS ^a | Yes | 0 |
| 20 | Unsupported Request Error Status 0 = No error is detected 1 = Error is detected | | RWICS ^a | Yes | 0 |
| 21 | <i>Reserved</i> | Upstream | RsvdP | No | 0 |
| | ACS Violation Error Status 0 = No violation is detected 1 = Violation is detected | Downstream | RWICS ^a | Yes | 0 |
| 31:22 | <i>Reserved</i> | | RsvdP | No | 0-0h |

a. When the **ECC Error Check Disable** register *Software Force Error Enable* bit (offset 1C8h[2]) is Set, Type changes from RWICS to RW.

Register 12-305. FBCh Uncorrectable Error Mask (All Ports)

| Bit(s) | Description | Ports | Type | Serial EEPROM and I ² C | Default |
|--------|---|------------|-------|------------------------------------|---------|
| 3:0 | <i>Reserved</i> | | RsvdP | No | 0h |
| 4 | Data Link Protocol Error Mask 0 = No mask is Set 1 = Masks error reporting, first error update, and Header logging for this error | | RWS | Yes | 0 |
| 5 | <i>Reserved</i> | Upstream | RsvdP | No | 0 |
| | Surprise Down Error Mask 0 = No mask is Set 1 = Masks error reporting, first error update, and Header logging for this error | Downstream | RWS | Yes | 0 |
| 11:6 | <i>Reserved</i> | | RsvdP | No | 0-0h |
| 12 | Poisoned TLP Mask 0 = No mask is Set 1 = Masks error reporting, first error update, and Header logging for this error | | RWS | Yes | 0 |
| 13 | Flow Control Protocol Error Mask <i>Reserved/Not supported</i> | | RsvdP | No | 0 |
| 14 | Completion Timeout Mask <i>Not applicable to switches.</i> | | RsvdP | No | 0 |
| 15 | Completer Abort Mask | | RWS | Yes | 0 |
| 16 | Unexpected Completion Mask 0 = No mask is Set 1 = Masks error reporting, first error update, and Header logging for this error | | RWS | Yes | 0 |
| 17 | Receiver Overflow Mask 0 = No mask is Set 1 = Masks error reporting, first error update, and Header logging for this error | | RWS | Yes | 0 |
| 18 | Malformed TLP Mask 0 = No mask is Set 1 = Masks error reporting, first error update, and Header logging for this error | | RWS | Yes | 0 |
| 19 | ECRC Error Mask 0 = No mask is Set 1 = Masks error reporting, first error update, and Header logging for this error | | RWS | Yes | 0 |
| 20 | Unsupported Request Error Mask 0 = No mask is Set 1 = Masks error reporting, first error update, and Header logging for this error | | RWS | Yes | 0 |
| 21 | <i>Reserved</i> | Upstream | RsvdP | No | 0 |
| | ACS Violation Error Mask 0 = No mask is Set 1 = Masks error reporting, first error update, and Header logging for this error | Downstream | RWS | Yes | 0 |
| 31:22 | <i>Reserved</i> | | RsvdP | No | 0-0h |

Register 12-306. FC0h Uncorrectable Error Severity (All Ports)

| Bit(s) | Description | Ports | Type | Serial EEPROM and I ² C | Default |
|--------|---|------------|-------|------------------------------------|---------|
| 3:0 | <i>Reserved</i> | | RsvdP | No | 0h |
| 4 | Data Link Protocol Error Severity 0 = Error is reported as non-fatal 1 = Error is reported as fatal | | RWS | Yes | 1 |
| 5 | Surprise Down Error Severity 0 = Error is reported as non-fatal 1 = Error is reported as fatal | Upstream | RsvdP | No | 1 |
| | | Downstream | RWS | Yes | 1 |
| 11:6 | <i>Reserved</i> | | RsvdP | No | 0-0h |
| 12 | Poisoned TLP Severity 0 = Error is handled as an Advisory Non-Fatal error, and reported as a Correctable error 1 = Error is reported as fatal | | RWS | Yes | 0 |
| 13 | Flow Control Protocol Error Severity <i>Reserved/Not supported</i> | | RsvdP | No | 1 |
| 14 | Completion Timeout Severity <i>Not applicable to switches.</i> Because the Status and Mask are both <i>reserved</i> for this bit, Severity can be ignored. | | RsvdP | No | 0 |
| 15 | Completer Abort Severity 0 = Error is handled as an Advisory Non-Fatal error, and reported as a Correctable error 1 = Error is reported as fatal | | RWS | Yes | 0 |
| 16 | Unexpected Completion Severity 0 = Error is handled as an Advisory Non-Fatal error, and reported as a Correctable error 1 = Error is reported as fatal | | RWS | Yes | 0 |
| 17 | Receiver Overflow Severity 0 = Error is reported as non-fatal 1 = Error is reported as fatal | | RWS | Yes | 1 |
| 18 | Malformed TLP Severity 0 = Error is reported as non-fatal 1 = Error is reported as fatal | | RWS | Yes | 1 |
| 19 | ECRC Error Severity 0 = Error is handled as an Advisory Non-Fatal error, and reported as a Correctable error 1 = Error is reported as fatal | | RWS | Yes | 0 |

Register 12-306. FC0h Uncorrectable Error Severity (All Ports) (Cont.)

| Bit(s) | Description | Ports | Type | Serial EEPROM and I ² C | Default |
|--------|---|------------|-------|------------------------------------|---------|
| 20 | Unsupported Request Error Severity 0 = Error is handled as an Advisory Non-Fatal error, and reported as a Correctable error 1 = Error is reported as fatal | | RWS | Yes | 0 |
| 21 | <i>Reserved</i> | Upstream | RsvdP | No | 0 |
| | ACS Violation Error Severity 0 = Error is handled as an Advisory Non-Fatal error, and reported as a Correctable error 1 = Error is reported as fatal | Downstream | RWS | Yes | 0 |
| 31:22 | <i>Reserved</i> | | RsvdP | No | 0-0h |

Register 12-307. FC4h Correctable Error Status (All Ports)

| Bit(s) | Description | Type | Serial EEPROM and I ² C | Default |
|--------|--|--------------------|------------------------------------|---------|
| 0 | Receiver Error Status 0 = No error is detected 1 = Error is detected | RWICS ^a | Yes | 0 |
| 5:1 | <i>Reserved</i> | RsvdP | No | 0-0h |
| 6 | Bad TLP Status 0 = No error is detected 1 = Error is detected | RWICS ^a | Yes | 0 |
| 7 | Bad DLLP Status 0 = No error is detected 1 = Error is detected | RWICS ^a | Yes | 0 |
| 8 | REPLAY NUM Rollover Status Replay Number Rollover status. 0 = No error is detected 1 = Error is detected | RWICS ^a | Yes | 0 |
| 11:9 | <i>Reserved</i> | RsvdP | No | 000b |
| 12 | Replay Timer Timeout Status 0 = No error is detected 1 = Error is detected | RWICS ^a | Yes | 0 |
| 13 | Advisory Non-Fatal Error Status 0 = No error is detected 1 = Error is detected | RWICS ^a | Yes | 0 |
| 31:14 | <i>Reserved</i> | RsvdP | No | 0-0h |

- a. When the **ECC Error Check Disable** register **Software Force Error Enable** bit (offset 1C8h[2]) is Set, Type changes from RWICS to RW.

Register 12-308. FC8h Correctable Error Mask (All Ports)

| Bit(s) | Description | Type | Serial EEPROM and I ² C | Default |
|--------|---|-------|------------------------------------|---------|
| 0 | Receiver Error Mask 0 = Error reporting is not masked 1 = Error reporting is masked | RWS | Yes | 0 |
| 5:1 | <i>Reserved</i> | RsvdP | No | 0-0h |
| 6 | Bad TLP Mask 0 = Error reporting is not masked 1 = Error reporting is masked | RWS | Yes | 0 |
| 7 | Bad DLLP Mask 0 = Error reporting is not masked 1 = Error reporting is masked | RWS | Yes | 0 |
| 8 | REPLAY NUM Rollover Mask Replay Number Rollover mask. 0 = Error reporting is not masked 1 = Error reporting is masked | RWS | Yes | 0 |
| 11:9 | <i>Reserved</i> | RsvdP | No | 000b |
| 12 | Replay Timer Timeout Mask 0 = Error reporting is not masked 1 = Error reporting is masked | RWS | Yes | 0 |
| 13 | Advisory Non-Fatal Error Mask 0 = Error reporting is not masked 1 = Error reporting is masked | RWS | Yes | 1 |
| 31:14 | <i>Reserved</i> | RsvdP | No | 0-0h |

Register 12-309. FCCh Advanced Error Capabilities and Control (All Ports)

| Bit(s) | Description | Type | Serial EEPROM and I ² C | Default |
|--------|--|-------|------------------------------------|---------|
| 4:0 | First Error Pointer Identifies the bit position of the first error reported in the Uncorrectable Error Status register (offset FB8h). | ROS | No | 1Fh |
| 5 | ECRC Generation Capable 0 = ECRC generation is not supported 1 = ECRC generation is supported, but must be enabled | RO | Yes | 1 |
| 6 | ECRC Generation Enable 0 = ECRC generation is disabled 1 = ECRC generation is enabled | RWS | Yes | 0 |
| 7 | ECRC Check Capable 0 = ECRC checking is not supported 1 = ECRC checking is supported, but must be enabled | RO | Yes | 1 |
| 8 | ECRC Check Enable 0 = ECRC checking is disabled 1 = ECRC checking is enabled | RWS | Yes | 0 |
| 31:9 | <i>Reserved</i> | RsvdP | No | 0-0h |

Register 12-310. FD0h Header Log 0 (All Ports)

| Bit(s) | Description | Type | Serial EEPROM and I ² C | Default |
|--------|--|------|------------------------------------|------------|
| 31:0 | TLP Header 0 First DWord Header. TLP Header associated with error. | ROS | Yes | 0000_0000h |

Register 12-311. FD4h Header Log 1 (All Ports)

| Bit(s) | Description | Type | Serial EEPROM and I ² C | Default |
|--------|---|------|------------------------------------|------------|
| 31:0 | TLP Header 1 Second DWord Header. TLP Header associated with error. | ROS | Yes | 0000_0000h |

Register 12-312. FD8h Header Log 2 (All Ports)

| Bit(s) | Description | Type | Serial EEPROM and I ² C | Default |
|--------|--|------|------------------------------------|------------|
| 31:0 | TLP Header 2 Third DWord Header. TLP Header associated with error. | ROS | Yes | 0000_0000h |

Register 12-313. FDCh Header Log 3 (All Ports)

| Bit(s) | Description | Type | Serial EEPROM and I ² C | Default |
|--------|---|------|------------------------------------|------------|
| 31:0 | TLP Header 3 Fourth DWord Header. TLP Header associated with error. | ROS | Yes | 0000_0000h |



Chapter 13 Non-Transparent Bridging – NT Mode Only

13.1 Introduction

Note: Check the latest design guides, application notes and errata list for Non-Transparent (NT) usage.

The PEX 8624 supports NT bridge functionality (NT mode), which is used to implement High-Availability systems or Intelligent I/O modules using PCI Express technology. The following discusses the basic NT bridging concept, as it applies to a PCI Express system.

NT bridges allow systems to isolate Address spaces, by appearing as an endpoint to the Host. The NT bridge exposes a Type 0 Configuration Space register (CSR) Header and forwards transactions from one domain to the other, using address translation. The NT bridge is used to connect two independent address/Host domains. The NT bridge includes **Doorbell** registers, for transmitting interrupts from one side of the bridge to the other. The bridge also includes **Scratchpad** registers, accessible from both domains for inter-Host communication. The PEX 8624, with a single Port configured to operate in NT mode, supports the **Intelligent Adapter Mode** system model. NT mode is enabled/disabled by the **STRAP_NT_ENABLE#** input.

The following are PEX 8624 Non-Transparent Bridging (NTB) key elements:

- [Device Type Identification](#)
- [NT Port Features](#)
- [Intelligent Adapter Mode](#)
- [NT Port Reset](#)
- [NT Port Memory-Mapped Base Address Registers](#)
- [Doorbell Registers](#)
- [Scratchpad Registers](#)
- [NT Base Address Registers](#)
- [Address Translation](#)

13.1.1 Device Type Identification

Devices identify themselves by way of the Conventional PCI CSR Header **PCI Class Code** register. A Transparent PCI-to-PCI bridge identifies itself as a **PCI Class Code 060400h**. An NT bridge identifies itself as “Other Bridge,” **068000h**, with a Type 0 Header, which is consistent with the use of other NT bridges available in the industry.

The **PCI Express Capability** register includes a *Device/Port Type* field (offset 68h[23:20]). In this register, a Transparent bridge/switch Port identifies itself as an *upstream* or *downstream Port*, while an NT bridge/switch NT Port identifies itself as a *PCI Express endpoint*.

13.1.2 NT Port Features

- Maps PEX 8624 Configuration registers into either 32- or 64-bit Memory space
- Base Address registers (BARs)
 - Implements four 32-bit, two 32-bit and one 64-bit, or two 64-bit BARs
 - Supports BAR Size programming, through the **BARx Setup** register(s)
 - Allows BARs to be individually disabled, including Memory-Mapped BARs
- Supports **Direct Address Translation**
 - 32-to-32-bit address conversion
 - 32-to-64-bit address conversion
 - 64-to-32-bit address conversion
 - 64-to-64-bit address conversion
 - Requester ID (Bus Number, Device Number, and Function Number) conversion across the NT bridge
- **Doorbell** registers
- **Scratchpad** registers
- Supports Requester ID and Completion ID translation
- NT Port Link Interface *DL_Active* state change generates interrupt to Local Host
- Supports Cursor mechanism
- Supports Expansion ROM on either NT Port interface
- Supports End-to-end Cyclic Redundancy Check (ECRC)
- Provides ability to Clear *No Snoop* Transaction Layer Packet (TLP) attribute (if enabled)
- Programmable upstream Port and NT Port for the enabling of High Availability systems (Failover and Redundant systems)
- Brings down the NT Port Link when the Local Host domain is down (if enabled)
- Supports the Fencing mechanism
- Signals Device-Specific interrupt to the Local Host when the NT Port Link Interface detects TLP errors
- Signals Device-Specific interrupt to the Local Host when the NT Port Link Interface receives Error Messages (Safety bit-controllable)
- Disables NT Port Link Interface Hot Reset effect (enabled, by default)
- Supports Configuration Space access control

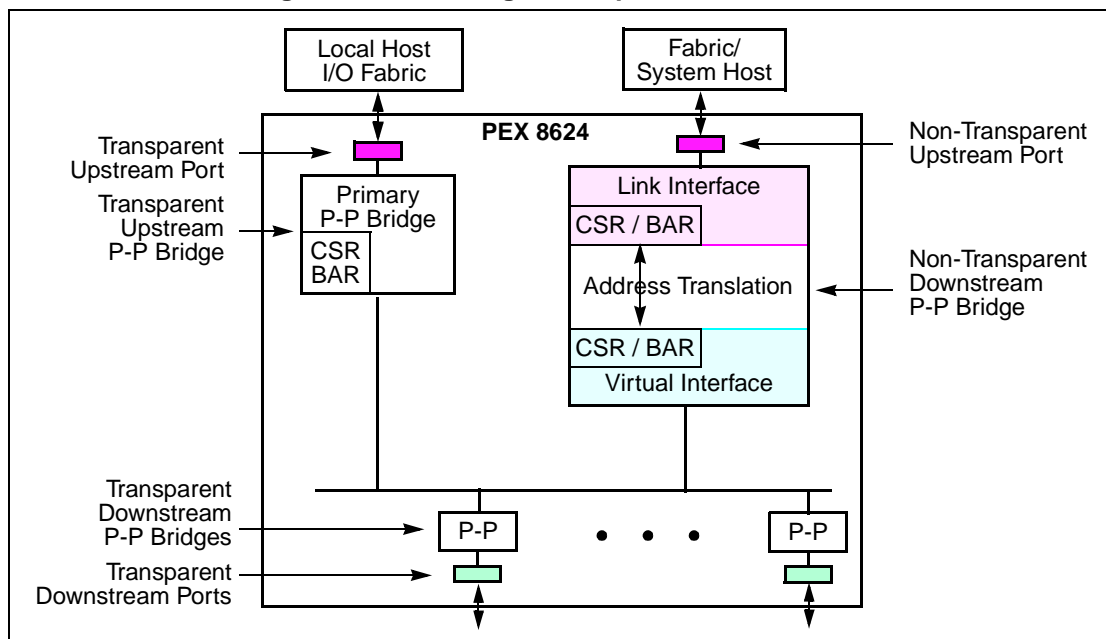
13.1.3 Intelligent Adapter Mode

The use of NT bridges in PCI systems is well-established for supporting intelligent adapters in enterprise and multi-Host systems. The same concept is used in PCI Express bridges and switches.

In [Figure 13-1](#), there are two Type 0 CSR Headers in the NT bridge. The one nearer the internal virtual PCI Bus is referred to as the *Virtual Interface*. The one nearer the PCI Express Link is referred to as the *Link Interface*.

In Intelligent Adapter mode, the NT Port Link Interface is connected to the System Host domain. The System Host manages only the NT Port Link Interface Type 0 function. The Local Host manages all PEX 8624 Transparent Port Type 1 and NT Port Virtual Interface Type 0 functions. Cross-domain traffic is routed through an Address Translation mechanism. (Refer to [Section 13.1.9](#).)

Figure 13-1. Intelligent Adapter Software Model



13.1.4 NT Port Reset

The section discusses NT mode exceptions and enhancements to Transparent mode PCI Express (standard) reset behavior.

13.1.4.1 Fundamental Reset (PEX_PERST#)

PEX_PERST# resets all PEX 8624 states, including NT Port states. This reset initializes all Sticky bits and Configuration registers in Virtual and Link spaces to default values.

13.1.4.2 Intelligent Adapter Mode NT Port Reset

When the Transparent upstream Port receives a Hot Reset or enters the *DL_Down* state, the PEX 8624, by default, propagates the in-band reset to all Transparent downstream Ports and connected downstream devices (to reset the downstream hierarchy), then resets the internal switch fabric and the NT Port Virtual Interface. There is no reset propagation to the NT Port Link Interface, and the Link-side remains intact.

When the NT Port Link Interface receives a Hot Reset or enters the *DL_Down* state, the NT Port Link Interface registers are reset, by default. This Soft Reset does not reset the Transparent Ports nor the NT Port Virtual Interface. Instead, when the NT Port Link Interface receives a Hot Reset (or enters the *DL_Down* state), the **PEX_NT_RESET#** output is asserted Low for 1 μ s. The system can use this signal to trigger a reset of the entire Local subsystem.

The PEX 8624 supports an option that allows these Hot Reset conditions at its Transparent upstream Port and NT Port Link Interface to be masked (disabled) for all Ports, including the NT Port, by Setting the **Debug Control** register *Upstream Port and NT-Link DL_Down Reset Propagation Disable* bit (Port 0, and also NT Port Virtual Interface if Port 0 is the NT Port, offset 1DCh[20]).

When software writes to the PEX 8624 Transparent upstream Port's **Bridge Control** register *Secondary Bus Reset* bit (offset 3Ch[22]), the resulting *Secondary Bus Reset* is (as above) propagated to all PEX 8624 Transparent downstream Ports, and the Port states and NT Port Virtual Interface states are reset.

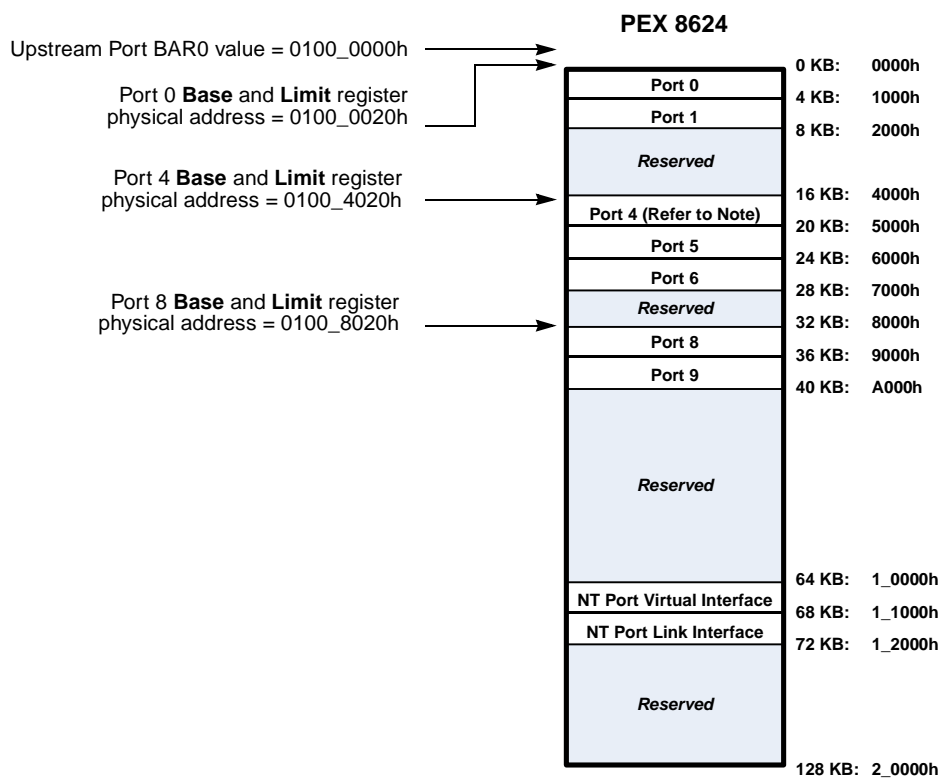
13.1.5 NT Port Memory-Mapped Base Address Registers

The NT Port Virtual and Link Interfaces individually claim 128 KB of memory, using **BAR0** and **BAR1**. The 128-KB space contains the CSRs for all PEX 8624 Ports. **BAR0** and **BAR1** can be programmed as one of the following:

- 32-bit BAR (**BAR1** is *reserved*; default mode)
- 64-bit BAR, by programming the Configuration **BAR0/1 Setup** register (the NT Port Virtual Interface offset is D0h; the NT Port Link Interface offset is E4h)
- **BAR0** and **BAR1** can be completely disabled

Figure 13-2 provides a memory-mapped view of the PEX 8624 CSRs. This view is the same from the upstream Port, NT Port Virtual Interface, or NT Port Link Interface.

Figure 13-2. NT Mode Configuration Register Mapping to Memory-Mapped BAR



Note: Port 4 does not connect to a downstream device; therefore, no Memory nor I/O resources should be defined in Port 4 registers.

13.1.6 Doorbell Registers

Doorbell registers are used to signal interrupts from one side of the NT bridge to the other. This section describes a typical set of Doorbell Control registers.

A 16-bit software-controlled Interrupt Request register and associated 16-bit Mask register are implemented for the NT Port Virtual and Link Interfaces. The Doorbell mechanisms consist of the following registers:

- **Virtual Interface IRQ Set**
- **Virtual Interface IRQ Clear**
- **Virtual Interface IRQ Mask Set**
- **Virtual Interface IRQ Mask Clear**
- **Link Interface IRQ Set**
- **Link Interface IRQ Clear**
- **Link Interface IRQ Mask Set**
- **Link Interface IRQ Mask Clear**

The Virtual Interface IRQ is for interrupts that exit the NT Port Virtual Interface. An interrupt is asserted on the NT Port Virtual Interface when one or more of the **Virtual Interface IRQ Set** register bits are Set by the NT Port Link Interface and their corresponding **Virtual Interface IRQ Mask Set** register bits are Cleared. An interrupt is de-asserted on the NT Port Virtual Interface when one or more of the **Virtual Interface IRQ Clear** register bits are Set from the NT Port Virtual Interface and their corresponding **Virtual Interface IRQ Mask Clear** register bits are Cleared. The interrupt is de-asserted when all Set bits are masked or Cleared.

The Link Interface IRQ is for interrupts that exit the NT Port Link Interface. An interrupt is asserted on the NT Port Link Interface when one or more of the **Link Interface IRQ Set** register bits are Set by the NT Port Virtual Interface and their corresponding **Link Interface IRQ Mask Set** register bits are Cleared. An interrupt is de-asserted on the NT Port Link Interface when one or more of the **Link Interface IRQ Clear** register bits are Set from the NT Port Link Interface and their corresponding **Link Interface IRQ Mask Clear** register bits are Cleared. The interrupt is de-asserted when all Set bits are masked or Cleared.

Because Memory Requests can access both sets of NT-Virtual and NT-Link Doorbell registers, software in either domain can generate Doorbell interrupts to both domains.

Internally, the **Set IRQ** and **Clear IRQ** registers are the same register. One location is used to Set bits and the other is used to Clear bits. The status can be read from either register.

In a PCI Express switch, interrupt state transitions (from Setting to Clearing, or vice versa) result in packets being transmitted upstream on the appropriate side of the bridge, when INT_x are enabled (**PCI Command** register *Interrupt Disable* bit, offset 04h[10], is Cleared). Standard PCI Express Capability structures allow these interrupts to be configured as MSIs or INT_x. When MSIs are enabled (**MSI Control** register *MSI Enable* bit, offset 48h[16], is Set), packets are transmitted only when interrupts transition from Clear IRQ to Set IRQ.

NT Port Doorbell interrupts can optionally use the PEX_INTA# output for interrupt signaling, instead of the INT_x or MSI signaling mechanisms. PEX_INTA# output can be enabled for NT Port Doorbell interrupts, by Setting the **ECC Error Check Disable** register *Enable PEX_INTA# Interrupt Output(s) for NT-Virtual Doorbell-Generated Interrupts* bit (NT Port Virtual Interface, or Port 0 if Port 0 is the NT Port, offset 1C8h[7]).

The PEX 8624 Virtual interrupts are de-asserted when the NT Port goes to the *DL_Down* state.

13.1.7 Scratchpad Registers

Scratchpad registers are readable and writable from both sides of the NT bridge, providing a generic means for inter-Host communication. A block of eight registers are provided, accessible in Memory space from the NT Port Virtual and Link Interfaces. These registers pass Control and Status information between Virtual and Link Interface devices or they can be generic RW registers. Reading from or writing to **Scratchpad** registers does not cause interrupts to assert – **Doorbell** registers are used for that purpose. **Scratchpad** registers are reset only by a Fundamental Reset ([PEX_PERST#](#)).

13.1.8 NT Base Address Registers

There are two sets of NT Base Address registers (BARs) – one each for the NT Port Virtual and Link Interfaces. Each BAR has its own **Setup** and **Address Translation** register:

- **BARx Setup** registers enable/disable the BAR and define the window size and type. Program the **BARx Setup** registers prior to allowing configuration software to assign a resource for these BARs. (Discussed further in [Section 13.1.8.1](#).)
- **Memory BARx Address Translation** registers allow for an address change on the upper bits (up to the size of the space). Program the **Memory BARx Address Translation** registers, before generating traffic across the NT Port. This programming is typically performed by information downloaded from I²C, software, or an optional serial EEPROM (if present) on the destination side. The source side does not need to know what the Address Translation is.
- The address could change size. *For example*, the PEX 8624 NT Port allows a 32-bit device to communicate to a 64-bit device, and vice versa. (The same is true when the addresses are the same size, as well – a 32-bit device can communicate with a 32-bit device, and a 64-bit can communicate with a 64-bit device.)

13.1.8.1 NT BARx Setup Registers

PCI defines Base Address Registers (BARs) for a PCI device to claim Address space. For the PEX 8624, **BAR0** and **BAR1** provide Memory-Mapped access to the CSRs, while **BAR2**, **BAR3**, **BAR4**, and **BAR5** provide programmable window sizes to the other side of the NTB.

The **BARx Setup** registers are used to program the window size of each BAR. [Table 13-1](#) briefly describes each NT Port BAR. **BAR2**, **BAR3**, **BAR4**, and **BAR5** can be configured for accessing the Address space across the NT Port Virtual and Link Interfaces.

Each **BARx Setup** register defines the memory window size that is to be assigned by a system enumerator (*that is*, BIOS or firmware). *For example*, if the window size must be 1 MB, Memory space, and cacheable region, the **BARx Setup** register in 32-bit space will be FFF0_0008h (FFF0_0000h indicates the 1-MB space Request, bit 3 is the cacheable region, and bit 0 must be Memory space).

In most cases, the **BARx Setup** registers are programmed using an optional serial EEPROM (if present), before the BIOS or firmware allocates the resources (because resource enumeration is done before the system software can access these devices).

Table 13-1. NT Port Virtual and Link Interface BARs

| BAR | NT Port Virtual Interface Description | NT Port Link Interface Description |
|-------------|---|--|
| BAR0 | <p>All PEX 8624 Port Configuration registers are mapped into Memory space, using BAR0 and BAR1. The Local Host, connected to the Transparent upstream Port, can use the Transparent upstream Port BAR0/1 or NT Port Virtual Interface BAR0/1 to access the PEX 8624 Port Configuration registers. The NT Port Virtual Interface BAR0/1 Setup register controls the BAR0 and BAR1 implementation, as follows:</p> <ul style="list-style-type: none"> Disables BAR0 and BAR1 Enables BAR0 and disables BAR1 (BAR0 is a 32-bit BAR) Enables BAR0 and BAR1 (BAR0/1 is a 64-bit BAR) <p>BAR0 and BAR1 claim 128-KB Memory space to the system.</p> | <p>All PEX 8624 Port Configuration registers are mapped into Memory space, using BAR0 and BAR1. The System Host, connected to the NT Port, can use BAR0/1 to access the PEX 8624 Port Configuration registers. The NT Port Link Interface BAR0/1 Setup register controls the BAR0 and BAR1 implementation, as follows:</p> <ul style="list-style-type: none"> Disables BAR0 and BAR1 Enables BAR0 and disables BAR1 (BAR0 is a 32-bit BAR) Enables BAR0 and BAR1 (BAR0/1 is a 64-bit BAR) <p>BAR0 and BAR1 claim 128-KB Memory space to the system.</p> |
| BAR1 | <p>Configured by the NT Port Virtual Interface BAR0/1 Setup register. BAR1 is implemented as an upper 32-bit address of the NT Port Virtual Interface memory-mapped 64-bit BAR; otherwise, it is <i>reserved</i>.</p> | <p>Configured by the NT Port Link Interface BAR0/1 Setup register. BAR1 is implemented as an upper 32-bit address of the NT Port Link Interface memory-mapped 64-bit BAR; otherwise, it is <i>reserved</i>.</p> |
| BAR2 | <p>Configured by the NT Port Virtual Interface Memory BAR2 Setup register. BAR2 can be implemented as a 32-bit BAR or lower half of a 64-bit BAR, by combining it with BAR3 (BAR2/3). BAR2 uses <i>Direct Address Translation</i>.</p> | <p>Configured by the NT Port Link Interface Memory BAR2 Setup register. BAR2 can be implemented as a 32-bit BAR or lower half of a 64-bit BAR, by combining it with BAR3 (BAR2/3). BAR2 uses <i>Direct Address Translation</i>.</p> |
| BAR3 | <p>Configured by the NT Port Virtual Interface Memory BAR2/3 Setup register. BAR3 can be implemented as a 32-bit BAR or upper half of a 64-bit BAR, by combining it with BAR2 (BAR2/3). BAR3 uses <i>Direct Address Translation</i>.</p> | <p>Configured by the NT Port Link Interface Memory BAR2/3 Setup register. BAR3 can be implemented as a 32-bit BAR or upper half of a 64-bit BAR, by combining it with BAR2 (BAR2/3). BAR3 uses <i>Direct Address Translation</i>.</p> |
| BAR4 | <p>Configured by the NT Port Virtual Interface Memory BAR4 Setup register. BAR4 can be implemented as a 32-bit BAR or lower half of a 64-bit BAR, by combining it with BAR5 (BAR4/5). BAR4 uses <i>Direct Address Translation</i>.</p> | <p>Configured by the NT Port Link Interface Memory BAR4 Setup register. BAR4 can be implemented as a 32-bit BAR or lower half of a 64-bit BAR, by combining it with BAR5 (BAR4/5). BAR4 uses <i>Direct Address Translation</i>.</p> |
| BAR5 | <p>Configured by the NT Port Virtual Interface Memory BAR4/5 Setup register. BAR5 can be implemented as a 32-bit BAR or upper half of a 64-bit BAR, by combining it with BAR4 (BAR4/5). BAR5 uses <i>Direct Address Translation</i>.</p> | <p>Configured by the NT Port Link Interface Memory BAR4/5 Setup register. BAR5 can be implemented as a 32-bit BAR or upper half of a 64-bit BAR, by combining it with BAR4 (BAR4/5). BAR5 uses <i>Direct Address Translation</i>.</p> |

13.1.9 Address Translation

The Transparent bridge uses **Base** and **Limit** registers in I/O space, Non-Prefetchable Memory space, and Prefetchable Memory space to map transactions downstream, across the bridge. All downstream devices must be mapped in contiguous address regions, such that a single Address range in each space is sufficient. Upstream mapping is done by way of inverse decode, relative to the same registers. A Transparent bridge does not translate the addresses of forwarded transactions/packets.

In multi-domain systems, each Host domain has its own Address space, that is different from that of other Host domain(s). Hence, any transaction crossing the inter-domain boundary, by way of an NTB or other means, must support address, as well as Requester ID, translations.

Before a transaction (PCI Express packet) can go through the NT bridge (either from the Virtual-side to Link-side, or from Link-side to Virtual-side) in an inter-domain system, one or more sets of Memory resources must be assigned to the NT bridge. To request this resource from the system enumerator (BIOS or firmware), the NT bridge must be programmed with the **BAR_x Setup** register(s). (Refer to [Section 13.1.8.1.](#)) The **BAR_x Setup** register(s) requests the window space size, memory type, 32- or 64-bit space, prefetchable or non-prefetchable area, using one 32-bit register for 32-bit Address space or the two 32-bit registers (**BAR_{2/3}** or **BAR_{4/5}**) for 64-bit Address space. In return, the system enumerator assigns resources to the NT bridge in **BAR₀** through **BAR₅**. Any transactions that target **BAR₂** through **BAR₅** on the NT Port Link Interface result in a transaction across the NT bridge, to the secondary address domain.

Similarly, in NT PCI-to-PCI Bridge mode, the NT PCI-to-PCI bridge must be enumerated to accommodate the resources assigned to the NT endpoint, to allow packets to logically traverse the bridge. Its Device Number (on the Internal Virtual PCI Bus) value is the Port Number of the NT Port. Device enumeration minimally includes the **PCI Command**, **Bus Number**, and **Memory Base and Limit** and/or **Prefetchable Memory Base and Limit** registers (offsets 04h, 18h, and 20h, and/or 24h). The Internal NT Virtual Bus (connecting the NT PCI-to-PCI secondary interface and NT endpoint) can be assigned any available Bus Number within the upstream Port's range of Subordinate Bus Numbers.

In addition, the Lookup Table (LUT) register(s) and **Memory BAR_x Address Translation** register(s) must be programmed. The LUTs are the Requester ID (Bus Number, Device Number, and Function Number) with the ability to disable features that allow Requester's transaction go through the NT bridge (if enabled). This adds security to the NT bridge, limiting the devices that can generate transactions across the NT bridge. LUTs also play a crucial role, because the Requester ID is also used to complete PCI Express Read Requests – during the PCI Express Read Request to the other domain side, the NT bridge uses its own Requester ID to translate the original PCI Read Request, and when the Completion returns, the NT bridge uses the original Requester ID to complete the transaction.

The Address Translation is used to re-direct the address of the PCI Express packet to a programmer-reserved area (instead of using the same address for both Host domains). Hence, any transaction targeting **BAR₂** through **BAR₅** can be translated (re-mapped) on the other side of the NT bridge while maintaining the offsets. These Translation registers can be changed during runtime, as long as there are no pending transactions.

The PEX 8624 NT Port Virtual and Link Interfaces support [Direct Address Translation](#), described in the following section.

13.1.9.1 Direct Address Translation

The **BAR_x Setup** registers define a mask that splits the address into an upper *Base* field and a lower *Offset* field. Translation then consists of replacing, under the maskable portion of the **BAR_x Setup** register, the Address Base register bits with the corresponding Address Translation register bits. Accordingly, the Address Translation register value must be a multiple of the corresponding BAR size. [Figure 13-3](#) illustrates Direct Address Translation.

The device(s) on the originating Host domain can communicate to a single device or multiple devices mapped to consecutive Memory Address space on the target Host domain, by using the Direct Address Translation mechanism. [Figure 13-4](#) illustrates the entire Address map, claimed by the NT Port, mapped into the single target device. [Figure 13-5](#) illustrates the entire Address map claimed by the NT Port, mapped into multiple target devices. Multiple devices must be in contiguous Memory ranges.

Figure 13-3. Direct Address Translation

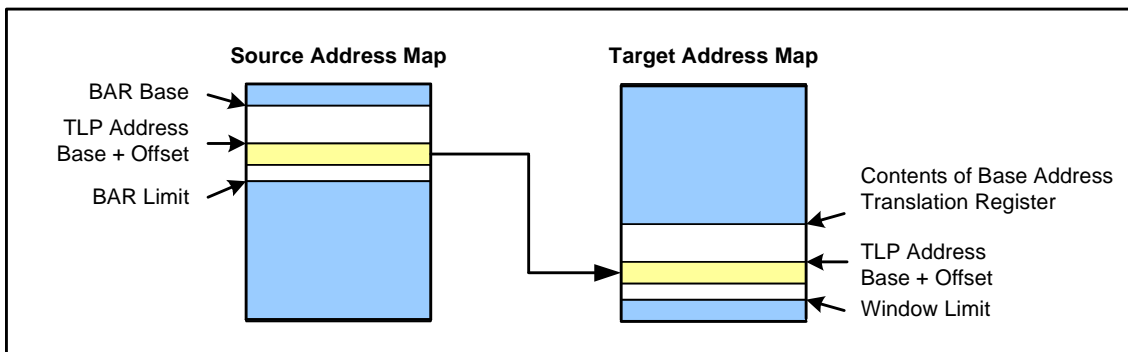


Figure 13-4. NT Port Mapped into Single Target Device

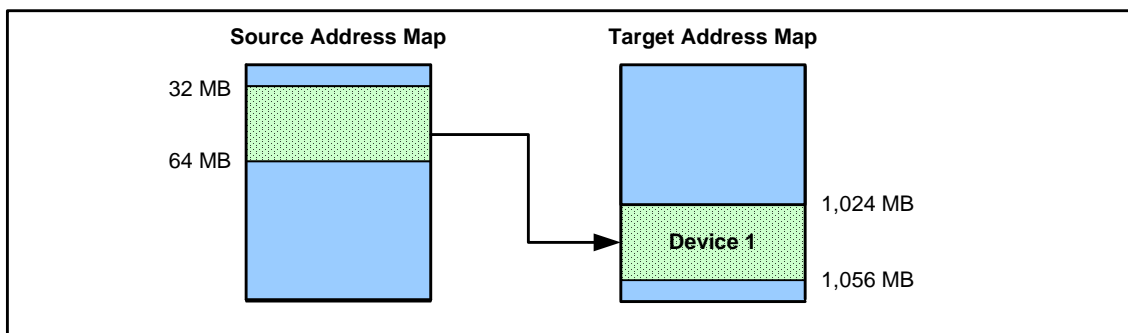
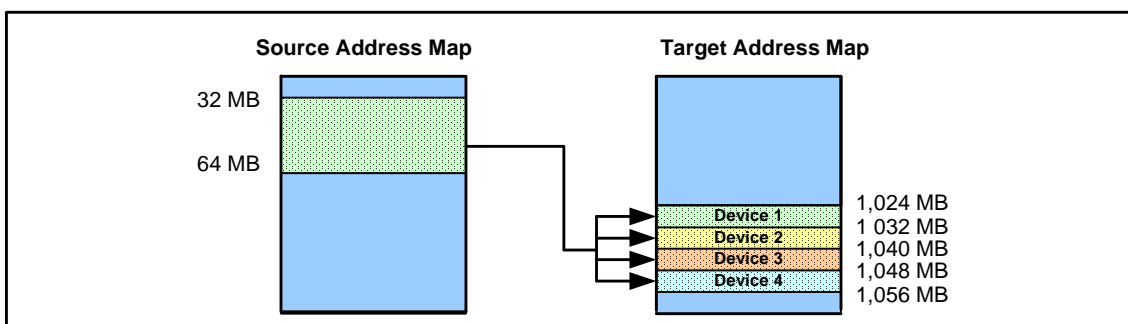


Figure 13-5. NT Port Mapped into Multiple Target Devices



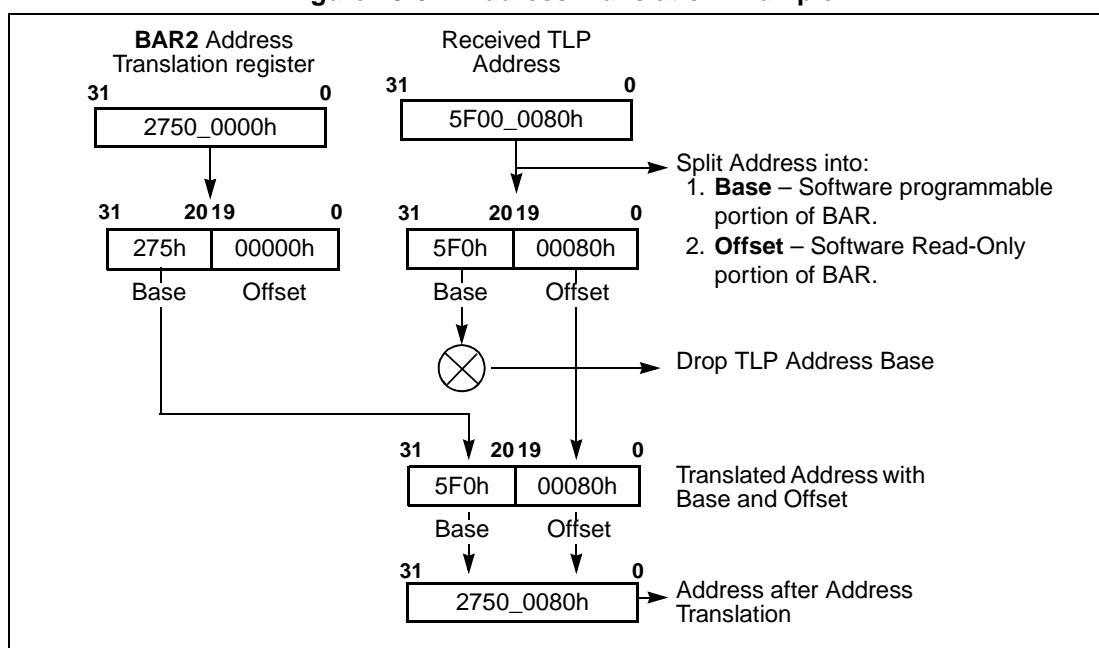
Address Translation Example

Assume the following:

1. NT Port Virtual Interface **BAR2** claims 128-KB Memory space (**BAR2 Setup** register = FFFE_0000h).
2. Configuration software assigns the 5F00_0000h address value to NT Port Virtual Interface **BAR2** and it is within the Transparent upstream Port Memory window.
3. Device driver software programs the **BAR2** Address Translation register to 2750_0000h.

The PEX 8624 receives a transaction to the NT Port Virtual Interface, with address 5F00_0080h. The received transaction address is hitting the NT Port Virtual Interface **BAR2**. The PEX 8624 claims the transaction and executes the address translation described in Figure 13-6.

Figure 13-6. Address Translation Example



13.2 Requester ID Translation

Configuration, Message, and Completion transactions are ID-routed instead of address-routed. Of these, the NT Port forwards only the Completion transaction between the two Host domains. PCI Express switches and bridges use the Requester ID (defined in the Completion TLP Header) to route these packets.

The Requester ID consists of the following:

- Requester’s PCI Bus Number
- Device Number
- Function Number

The Completer ID consists of the following:

- Completer’s PCI Bus Number
- Device Number
- Function Number

Note: The PCI Bus Number is unique for each Host domain.

Figure 13-7 illustrates the Memory Request TLP Header format. Figure 13-8 illustrates the Completion TLP Header format.

Figure 13-7. Memory Request TLP Header Format

| | Byte 0 | | | | | | | | Byte 1 | | | | | | | | Byte 2 | | | | | | | | Byte 3 | | | | | | | |
|-------------|----------------|-------|---|---|------|---|---|---|--------|----|---|---|---|---|---|---|--------|----|------|---|------------|--------|---|---|-----------|---|---|---|---|---|---|---|
| | 7 | 6 | 5 | 4 | 3 | 2 | 1 | 0 | 7 | 6 | 5 | 4 | 3 | 2 | 1 | 0 | 7 | 6 | 5 | 4 | 3 | 2 | 1 | 0 | 7 | 6 | 5 | 4 | 3 | 2 | 1 | 0 |
| Bytes 0-3 | R | Fmtx1 | | | Type | | | | R | TC | | | R | | | | TD | EP | Attr | | R | Length | | | | | | | | | | |
| Bytes 4-7 | Requester ID | | | | | | | | | | | | | | | | Tag | | | | Last DW BE | | | | 1st DW BE | | | | | | | |
| Bytes 8-11 | Address[63:32] | | | | | | | | | | | | | | | | | | | | | | | | | | | | | | | |
| Bytes 12-15 | Address[31:0] | | | | | | | | | | | | | | | | | | | | | | | | | | | | | | | R |

Figure 13-8. Completion TLP Header Format

| | Byte 0 | | | | | | | | Byte 1 | | | | | | | | Byte 2 | | | | | | | | Byte 3 | | | | | | | |
|------------|--------------|-----|---|---|------|---|---|---|--------|----|---|---|---|---|---|---|------------------|----|------|------------|---|---------------|---|---|--------|---|---|---|---|---|---|---|
| | 7 | 6 | 5 | 4 | 3 | 2 | 1 | 0 | 7 | 6 | 5 | 4 | 3 | 2 | 1 | 0 | 7 | 6 | 5 | 4 | 3 | 2 | 1 | 0 | 7 | 6 | 5 | 4 | 3 | 2 | 1 | 0 |
| Bytes 0-3 | R | Fmt | | | Type | | | | R | TC | | | R | | | | TD | EP | Attr | | R | Length | | | | | | | | | | |
| Bytes 4-7 | Completer ID | | | | | | | | | | | | | | | | Completer Status | | BCM | Byte Count | | | | | | | | | | | | |
| Bytes 8-11 | Requester ID | | | | | | | | | | | | | | | | Tag | | | | R | Lower Address | | | | | | | | | | |

13.2.1 Transaction Sequence

To implement a transaction sequence:

1. Requester inserts ID information into the Memory Read TLP that it generates on the initiating Host domain.
2. Switches and bridges between the transaction initiator and PEX 8624 NT Port route this Memory Read TLP, based upon the address.
3. NT Port replaces the Memory Read TLP Requester ID with its ID, and conducts the address translation before it forwards this Requester ID-translated TLP to the target Host domain, because the NT Port is the transaction initiator in the target Host domain.
4. Switches and bridges between the PEX 8624 NT Port and target device route this Memory Read TLP, based upon the address.
5. When the target device generates the Completion TLP, it copies the Memory Read TLP Requester ID into the corresponding Completion TLP *Requester ID* field and inserts its ID into the TLP *Completer ID* field.
6. Switches and bridges between the target device and PEX 8624 NT Port route the Completion TLP, based upon Requester ID (in this case, NT Bridge ID) information.
7. NT Port restores the original Requester ID value from the Configuration register and implements another Requester ID and Completer ID translation for the Completion TLP, before it forwards the Completion TLP to the Requester Host domain.
8. Switches and bridges between the PEX 8624 NT Port and Requester route the Completion TLP, based upon the Requester ID.
9. Requester accepts and processes the Completion TLP.

13.2.2 Transaction Originating in Local Host Domain

The translation of outgoing requests from the NT Port Virtual Interface to the NT Port Link Interface uses an 8-entry Lookup Table (LUT), as discussed in [Section 14.15.2, “NT Port Virtual Interface NT Bridging-Specific Registers – Requester ID Translation Lookup Table Entry \(Addresses D94h – DB0h\).”](#) Each LUT entry supports all outgoing requests and any number of outstanding requests made by a single device or function. If a device uses Phantom Function Numbers to increase the maximum number of outstanding transactions, each phantom function consumes an LUT entry. Configure the LUT by a serial EEPROM, I²C, or local firmware, so it is possible to transmit requests to the System Host domain, which provides a measure of security and protection.

When a Memory Request arrives at the NT Port Virtual Interface, the packet Requester ID is associated with this LUT. If it attains one of the enabled LUT entries, the corresponding entry address (TxIndex) is inserted into the *Function Number* field of the packet's Requester ID. Conversely, if it does not match one of the enabled LUT entries, an Unsupported Request (UR) Completion is returned.

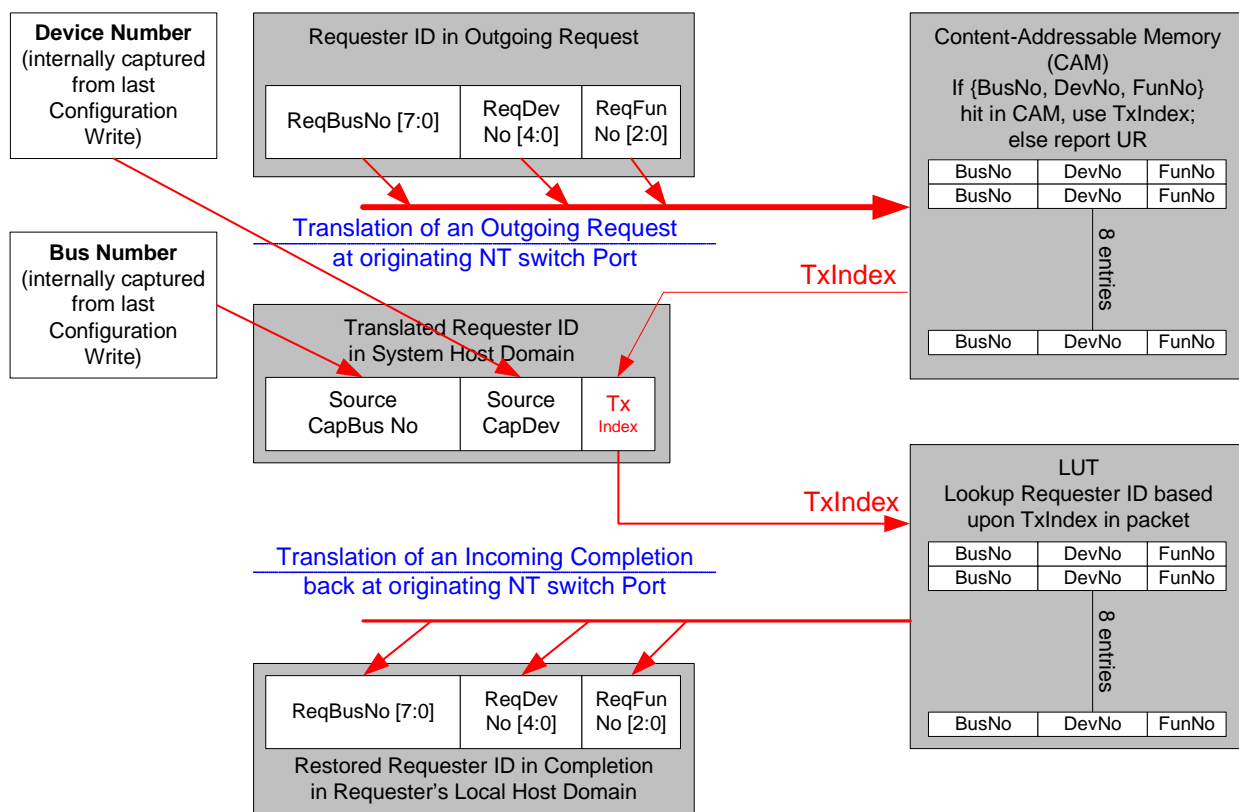
At the same time, the contents of the NT Port Link Interface **Bus Number** and **Device Number Capture** registers (the values used during the last CSR Write to the Port) are copied into the packet Requester ID's *Bus Number* and *Device Number* fields.

A Completion, with translated Requester ID, returned from the System Host domain to the PEX 8624, is recognized when its Requester ID Bus Number and Device Number match the NT Port Link Interface captured Bus Number and Device Number. (Refer to [Figure 13-9.](#))

When the original Requester ID is restored, the following occurs:

1. TxIndex is retrieved from the *Function Number* field of the Completion TLP Requester ID.
2. TxIndex is used to look up the same 8-entry LUT, to restore the original Requester ID.
3. If the selected entry is valid, the restored Requester ID is placed into the Completion *TLP Requester* field; otherwise, an Unexpected Completion is reported.
4. Completion TLP *Completer ID* field is replaced by the NT Port Virtual Interface captured Bus Number, Device Number, and Function Number.
5. Translated Completion TLP is forwarded to the original Requester, in the Local Host domain.

Figure 13-9. Requester ID Translation for Request Originating in Local Host Domain



13.2.3 Transaction Originating in System Host Domain

Transactions originating in the System Host domain use a Receive LUT, with 32 entries, as discussed in Section 15.15.1, “NT Port Link Interface NT Bridging-Specific Registers – Requester ID Translation Lookup Table Entry (Addresses DB4h – DF0h).” This data structure supports up to 32 devices (elsewhere in the System Host domain) that are transmitting requests through the associated NT Port. Because the Function Number is not used in the LUT association, a separate LUT entry is not required for each requesting or phantom function device. Configure the LUT before transmitting requests through the NT Port. This Requester registration process, which cannot be accomplished by a peer, is an effective security and protection mechanism.

When a Request is received from the System Host domain and routed to the NT Port, its Requester ID is translated again – Bus Number and Device Number, but not Function Number. The received Memory Request TLP Requester ID is associated with this LUT, and the address (RxIndex) of the corresponding matching entry is substituted into the *Device Number* field of the Memory Request’s TLP *Requester ID* field. (Refer to Figure 13-10.)

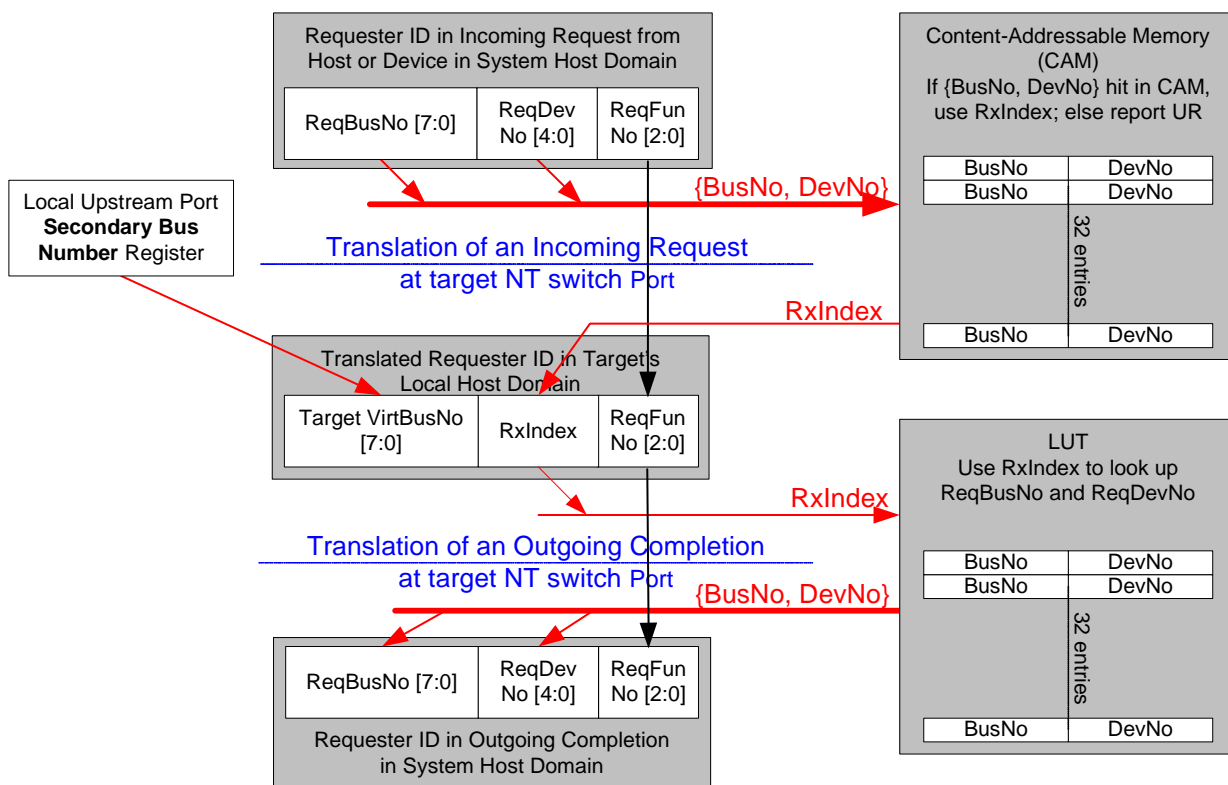
If no match is found, or the matched entry is not enabled, the Request receives a UR response. If a match is found, and matched entry is enabled, the PEX 8624 internal virtual PCI Bus Number is copied into the packet Requester ID’s *Bus Number* field. The translated Memory Request TLP is address-translated and forwarded into the Local Host domain.

The PEX 8624 internal virtual PCI Bus Number is sufficient to route the Completion from the Completer back to the NT Port in the Completer’s domain, because the NT Port is the only possible Requester on the switch internal virtual PCI Bus. Elsewhere in the PCI Express hierarchy, the Bus Number is sufficient to route the Completion back into the switch containing the NT Port.

The inverse translation occurs when a Completion passes through the NT bridge from the Local Host domain to the System Host domain. The RxIndex is retrieved from the *Device Number* field of the received Completion TLP *Requester ID* Header field, and used to look up the 32-entry LUT. The Completion TLP *Requester ID*, *Bus Number*, and *Device Number* fields are replaced by the decoded LUT-entry Bus Number and Device Number values, if the entry is valid; otherwise, an Unexpected Completion is reported.

The Completion TLP Completer ID is replaced by the NT Port Link Interface captured Bus Number, Device Number, and Function Number values before forwarding the Completion TLP to the System Host domain.

Figure 13-10. Requester ID Translation for Request Originating in System Host Domain



13.3 NT Port Power Management Handling

13.3.1 Active State Power Management

The NT Port Link Interface endpoint supports the Active State Power Management (ASPM) L0s and L1 Link PM states. The NT Port Virtual Interface endpoint implements the CSRs for ASPM support. However, it does not enter into the low-power states, because there is no physical Link associated with it.

13.3.2 PCI-PM and PME Turn Off Support

When NT mode is enabled, the NT Port Link Interface Type 0 endpoint behaves as any other endpoints in the PCI Express PCI-PM D3hot Device PM state. Once in the D3hot Device PM state, the NT Port Link Interface Type 0 endpoint requests PCI-PM L1 Link PM state entry, and finally settles in the L1 Link PM state. Only Configuration accesses and Messages to the NT Port Link Interface Type 0 endpoint are supported in the D3hot Device PM state. The Root Complex transmits PME_Turn_Off Messages when the NT Host decides to turn Off the main power and Reference Clock. The PEX 8624 NT Port Link Interface Type 0 endpoint indicates its readiness to lose power, by transmitting a PME_TO_Ack Message toward the upstream device. The PME_TO_Ack Message is transmitted when there are no pending TLPs to transmit upstream, toward the NT Port Link Interface. The Port requests the L2/L3 Ready Link PM state, by transmitting PM_Enter_L23 Data Link Layer Packets (DLLPs) to the upstream device after transmitting a PME_TO_Ack TLP. The Port settles into the L3 Link PM state when the Power Controller removes the main power and Reference Clock.

When the PME_Turn_Off Message is received on the PEX 8624 Transparent upstream Port, the Port broadcasts this Message to all PEX 8624 downstream devices, including the NT Port Virtual Interface Type 0 endpoint. After the PME_TO_Ack Message is received from all downstream devices and the PEX 8624 NT Port Virtual Interface Type 0 endpoint, the PEX 8624 Transparent upstream Port transmits an aggregated PME_TO_Ack Message to the upstream component after it finishes transmitting all pending TLPs to the upstream component. When NT mode is enabled, the PEX 8624 Transparent downstream Ports allow the attached devices to enter the PCI-PM-compatible L1 Link PM state. The PEX 8624 NT Port Virtual Interface Type 0 endpoint never enters the PCI-PM L1 Link PM state.

13.3.3 Message Generation

The PEX 8624 NT Port Link Interface Type 0 endpoint never generates PM_PME Messages. The PEX 8624 NT Port Virtual Interface Type 0 endpoint never receives Set_Slot_Power_Limit Messages nor generates PM_PME Messages.

13.4 Expansion ROM

The NT Port Link Interface supports Expansion ROM, by default. Expansion ROM support can be moved from the NT Port Link Interface to the NT Port Virtual Interface, by Setting the **Ingress Control** register *Expansion ROM Virtual Side* bit (Port 0, and also NT Port Virtual Interface if Port 0 is the NT Port, offset 660h[23]).

The NT Port supports 16- or 32-KB-sized Expansion ROM, based upon the **Serial EEPROM Clock Frequency** register *Expansion ROM Size* bit (Port 0, and also NT Port Virtual Interface if Port 0 is the NT Port, offset 268h[16]) value.

Note: *Expansion ROM can be enabled in either the NT Port Virtual Interface or NT Port Link Interface, but not both simultaneously. Expansion ROM is enabled, by default, in the NT Port Link Interface (**Ingress Control** register *Expansion ROM Virtual Side* bit is Cleared).*

13.5 NT Port Interrupts

The NT Port Virtual and Link Interfaces can both generate interrupts in response to specific events. The NT Port must not receive any INT_x Message Requests. If the NT Port receives an INT_x Message Request, the Request is handled as a Malformed TLP error.

13.5.1 NT Port Virtual Interface Interrupts

The NT Port Virtual Interface generates interrupts to the Local Host for the following reasons (all are masked, by default, and must not be masked, to be enabled):

- Doorbell interrupts
- NT Port Link Interface detected an Correctable TLP error
- NT Port Link Interface detected an Uncorrectable TLP error (option to signal Fatal and/or Non-Fatal)
- NT Port Link Interface *DL_Active* state change
- NT Port Link Interface received an Uncorrectable Error Message

NT-Virtual Doorbell interrupts and NT-Link errors and events can use the INT_x, MSI, or **PEX_INTA#** signaling mechanisms (all mutually exclusive), as follows:

- PEX_INTA# output can be enabled for NT Port Virtual Interface Doorbell interrupts, by Setting the **ECC Error Check Disable** register *Enable PEX_INTA# Interrupt Output(s) for NT-Virtual Doorbell-Generated Interrupts* bit (NT Port Virtual Interface, or Port 0 if Port 0 is the NT Port, offset 1C8h[7])
- PEX_INTA# output can be enabled for NT-Link Error and Event interrupts, by Setting the register's *Enable PEX_INTA# Interrupt Output(s) for Device-Specific Error- and Event-Triggered Interrupts* bit (All Ports, offset 1C8h[5])

Refer to [Section 13.1.6](#) for Doorbell interrupt details.

The NT Port Virtual Interface de-asserts INT_x or PEX_INTA# interrupts in response to one or more of the following conditions:

- NT Port Virtual Interface **PCI Command** register *Interrupt Disable* bit (offset 04h[10]) is Set
- Corresponding *Interrupt Mask* bit is Set
- NT Port Link goes down (DL_Down condition) or the NT Port Link Interface receives a Hot Reset
- Software Clears the *Interrupt Status* bit, or Sets the *Doorbell Interrupt Request Clear* bit

When the NT Port Link Interface detects Correctable TLP errors, the NT Port Virtual Interface signals the interrupt to the Local Host, if the interrupt signaling is enabled and not masked (**Link Error Status Virtual** register *Link Side Correctable Error Status* bit is Set, and **Link Error Mask Virtual** register *Link Side Correctable Error Mask* bit is Cleared (NT Port Virtual Interface as Port 0, offsets FE0h[0] and FE4h[0]), respectively).

When the NT Port Link Interface detects Uncorrectable TLP errors, the NT Port Virtual Interface signals the interrupt to the Local Host, if the interrupt signaling is enabled and not masked (**Link Error Status Virtual** register *Link Side Uncorrectable Error Status* bit is Set, and **Link Error Mask Virtual** register *Link Side Uncorrectable Error Mask* bit is Cleared (NT Port Virtual Interface as Port 0, offsets FE0h[1] and FE4h[1]), respectively).

An NT Port Link Interface *DL_Active* state change occurs upon detection of an NT Port Link Interface *DL_Down* state rise edge and fall edge. This signals the interrupt to the Local Host, if the interrupt signaling enabled and not masked (**Link Error Status Virtual** register *Link Side DL Active Change Status* bit is Set, and **Link Error Mask Virtual** register *Link Side DL Active Change Mask* bit is Cleared (NT Port Virtual Interface as Port 0, offsets FE0h[2] and FE4h[2]), respectively).

When the NT Port Link Interface receives an Uncorrectable Error Message, the NT Port Virtual Interface signals the interrupt to the Local Host, if the interrupt signaling is enabled and not masked (**Link Error Status Virtual** register *Link Side Uncorrectable Error Message Drop Status* bit is Set, and **Link Error Mask Virtual** register *Link Side Uncorrectable Error Message Drop Mask* bit is Cleared (NT Port Virtual Interface as Port 0, offsets FE0h[3] and FE4h[3]), respectively).

13.5.2 NT Port Link Interface Interrupts

The NT Port Link Interface generates interrupts to the System Host for NT-Link Doorbell interrupts detected at the NT Port Link Interface ingress Port (interrupts are masked, by default). The NT Port Link Interface should not detect any Device-Specific errors.

NT-Link Doorbell interrupts can use the INTx, MSI, or PEX_INTA# signaling mechanisms (all mutually exclusive). PEX_INTA# output can be enabled for NT Port Link Interface Doorbell interrupts, by Setting the **ECC Error Check Disable** register *Enable PEX_INTA# Interrupt Output(s) for NT-Link Doorbell-Generated Interrupts* bit (NT Port Link Interface, offset 1C8h[7]). Refer to Section 13.1.6 for Doorbell interrupt details.

The NT Port Link Interface de-asserts INTx or PEX_INTA# interrupts in response to one or more of the following conditions:

- NT Port Link Interface **PCI Command** register *Interrupt Disable* bit (offset 04h[10]) is Set
- Corresponding *Interrupt Mask* bit is Set
- NT Port Link goes down (DL_Down condition) or the NT Port Link Interface receives a Hot Reset
- Software Clears the *Interrupt Status* bit, or Sets the *Doorbell Interrupt Request Clear* bit

13.6 NT Port Error Handling

The PEX 8624 NT Port Virtual Interface endpoint logs TLP errors, for TLPs that travel from the NT Port Virtual Interface to the NT Port Link Interface. The PEX 8624 signals Error Messages to the Local Host (Host closest to the upstream Port). The PEX 8624 provides an option to communicate this error condition to the System Host (Host closest to the NT Port), by signaling an interrupt.

The PEX 8624 NT Port Link Interface endpoint logs TLP errors, for TLPs that travel from the NT Port Link Interface to the NT Port Virtual Interface. The PEX 8624 signals Error Messages to the System Host (Host closest to the NT Port).

When the PEX 8624 receives a TLP, it performs the following:

1. TLP integrity check,
2. Address decode,
3. Address translation,
4. Requester ID translation, and
5. ECRC re-generation,

before transmitting the TLP through the NT Port. If the PEX 8624 detects an ECRC error, it corrupts the re-generated ECRC before transmitting the TLP through the NT Port. The PEX 8624 also provides options for dropping error-detected ECRC or endpoint (EP) TLPs (**Ingress Control Shadow** register *Drop ECRC TLPs* and *Drop EP TLPs* bits (Port 0, 4, or 8, and also NT Port Virtual Interface if Port 0 is the NT Port, offset 664h[8 and 4], respectively)).

The PEX 8624 does not generate the ECRC for a TLP that passes through the NT Port, if the received TLP does not have its *TD* bit Set.

The PEX 8624 drops all TLPs traveling from the NT Port Virtual Interface to the NT Port Link Interface, if the internal RAM Fatal ECC error is detected, until the PEX 8624 receives a Hot Reset from a Local Host.

13.7 Cursor Mechanism

A software application can use the [Device-Specific Cursor Mechanism](#) to access the PEX 8624 NT Port Configuration Space registers. The registers that support the Device-Specific Cursor Mechanism are the [Configuration Address Window](#) and [Configuration Data Window](#) registers (offsets F8h and FCh, respectively). A software application can also:

- Select the Configuration Register offset, by using the **Configuration Address Window** register
- Perform Read accesses to the **Configuration Data Window** register, to read to the selected Configuration register
- Perform Write accesses to the **Configuration Data Window** register, to write to the selected Configuration register

Configuration transactions have access to this Device-Specific Cursor Mechanism, if NT mode is enabled.

For details regarding the **Configuration Address Window** and **Configuration Data Window** registers, refer to:

- [Section 14.10, “NT Port Virtual Interface Vendor-Specific Capability 3 Registers \(Offsets C8h – FCh\)”](#)
- [Section 15.10, “NT Port Link Interface Vendor-Specific Capability 3 Registers \(Offsets C8h – FCh\)”](#)

13.8 Port Programmability

The PEX 8624 supports the capability of programming the upstream Port and NT Port Number. The Configuration register for the upstream Port and NT Port is in the **Debug Control** register *Upstream Port ID* and *NT Port Number* fields (NT Port Virtual Interface as Port 0, offset 1DCh[11:8 and 25:24], respectively). This register is updated, based upon the external **STRAP_NT_ENABLE#** and **STRAP_NT_UPSTRM_PORTSEL[1:0]** Strapping inputs, by default. A serial EEPROM, I²C, and/or software can be used to override the external strap values.

A software application can change the upstream Port and NT Port location to another Port Number during runtime, or as part of a failover sequence. It is recommended that the PEX 8624 be in an Idle state (no traffic) when changing the upstream Port and NT Port Numbers during runtime. During a failover sequence, application software must be able to handle all spurious TLPs that it receives as a result of the failover process.



Chapter 14 NT Port Virtual Interface Registers – NT Mode Only

14.1 Introduction

Note: Check the latest design guides, application notes and errata list for Non-Transparent (NT) usage.

The NT Port includes two sets of Configuration, Capability, Control, and Status registers, to support the Virtual and Link Interfaces. This chapter defines the PEX 8624 NT Port Virtual Interface registers. Other registers are defined in:

- [Chapter 12, “Transparent Port Registers”](#)
- [Chapter 15, “NT Port Link Interface Registers – NT Mode Only”](#)

Note: For Chip- and Station-specific registers (those that exist only in Port 0), if Port 0 is the NT Port, then those registers exist only in the NT Port Virtual Interface.

All PEX 8624 registers can be accessed by Configuration or Memory Requests.

For further details regarding register names and descriptions, refer to the following specifications:

- *PCI r3.0*
- *PCI Power Mgmt. r1.2*
- *PCI Express Base r2.0*

14.2 NT Port Virtual Interface Type 0 Register Map

Table 14-1 defines the NT Port Virtual Interface Type 0 register mapping.

Table 14-1. NT Port Virtual Interface Type 0 Register Map

| | | | |
|---|---------------------------------------|--|--------|
| 31 30 29 28 27 26 25 24 23 22 21 20 19 18 17 16 | 15 14 13 12 11 10 9 8 7 6 5 4 3 2 1 0 | | 00h |
| NT Port Virtual Interface PCI-Compatible Type 0 Configuration Header Registers (Offsets 00h – 3Ch) | | | ... |
| | | Capability Pointer (40h) | 34h |
| | | | ... |
| | | | 3Ch |
| | | Next Capability Pointer (48h) | 40h |
| NT Port Virtual Interface PCI Power Management Capability Registers (Offsets 40h – 44h) | | | 44h |
| | | Next Capability Pointer (68h) | 48h |
| NT Port Virtual Interface MSI Capability Registers (Offsets 48h – 64h) | | | ... |
| | | | 64h |
| | | Next Capability Pointer (A4h) | 68h |
| NT Port Virtual Interface PCI Express Capability Registers (Offsets 68h – A0h) | | | ... |
| | | | A0h |
| | | Next Capability Pointer (C8h) | A4h |
| NT Port Virtual Interface Subsystem ID and Subsystem Vendor ID Capability Registers (Offsets A4h – C4h) | | | ... |
| | | | C4h |
| | | Next Capability Pointer 3 (00h) | C8h |
| NT Port Virtual Interface Vendor-Specific Capability 3 Registers (Offsets C8h – FCh) | | | ... |
| | | | FCh |
| Next Capability Offset (FB4h) | 1h | PCI Express Extended Capability ID (0003h) | 100h |
| NT Port Virtual Interface Device Serial Number Extended Capability Registers (Offsets 100h – 134h) | | | ... |
| | | | 134h |
| <i>Reserved</i> | | | 138h – |
| Next Capability Offset (448h or 950h) | 1h | PCI Express Extended Capability ID (0002h) | 148h |
| NT Port Virtual Interface Virtual Channel Extended Capability Registers (Offsets 148h – 1A4h) | | | ... |
| | | | 1A4h |
| NT Port Virtual Interface Port Arbitration Table Registers (Offsets 1A8h – 1BCh) | | | 1A8h |
| | | | ... |
| | | | 1BCh |

Table 14-1. NT Port Virtual Interface Type 0 Register Map (Cont.)

| | | | | | | |
|--|----|--|---------------------------------------|--|--------|------|
| 31 30 29 28 27 26 25 24 23 22 21 20 19 18 17 16 | | | 15 14 13 12 11 10 9 8 7 6 5 4 3 2 1 0 | | | |
| NT Port Virtual Interface Device-Specific Registers (Offsets 1C0h – C88h) | | | | | | 1C0h |
| ... | | | | | | ... |
| Next Capability Offset (950h) | 1h | PCI Express Extended Capability ID (000Bh) | | | | 448h |
| NT Port Virtual Interface Device-Specific Registers (Offsets 1C0h – C88h) | | | | | | ... |
| Next Capability Offset 2 (C34h) | 1h | PCI Express Extended Capability ID 2 (000Bh) | | | | 950h |
| NT Port Virtual Interface Device-Specific Registers (Offsets 1C0h – C88h) | | | | | | ... |
| Next Capability Offset 4 (000h) | 1h | PCI Express Extended Capability ID 4 (000Bh) | | | | C34h |
| NT Port Virtual Interface Device-Specific Registers (Offsets 1C0h – C88h) | | | | | | ... |
| NT Port Virtual Interface NT Bridging-Specific Registers (Offsets C8Ch – F30h) | | | | | | C8Ch |
| ... | | | | | | ... |
| <i>Reserved</i> | | | | | F00h – | F30h |
| NT Port Virtual Interface Device-Specific Registers (Offsets F34h – F8Ch) | | | | | | F34h |
| ... | | | | | | ... |
| <i>Reserved</i> | | | | | F90h – | FB0h |
| Next Capability Offset (148h) | 1h | PCI Express Extended Capability ID (0001h) | | | | FB4h |
| NT Port Virtual Interface Advanced Error Reporting Extended Capability Registers (Offsets FB4h – FDCh) | | | | | | ... |
| NT Port Virtual Interface Device-Specific Registers – Link Error (Offsets FE0h – FFCh) | | | | | | FE0h |
| ... | | | | | | ... |
| NT Port Virtual Interface Device-Specific Registers – Link Error (Offsets FE0h – FFCh) | | | | | | FFCh |

14.3 Register Access

The PEX 8624 NT Port Virtual Interface implements a 4-KB Configuration Space. The lower 256 bytes (offsets 00h through FFh) comprise the PCI-compatible Configuration Space, and the upper 960 Dwords (offsets 100h through FFFh) comprise the PCI Express Extended Configuration Space. The PEX 8624 supports three mechanisms for accessing the NT Port Virtual Interface registers:

- [PCI Express Base r2.0 Configuration Mechanism](#)
- [Device-Specific Memory-Mapped Configuration Mechanism](#)
- [Device-Specific Cursor Mechanism](#)

14.3.1 PCI Express Base r2.0 Configuration Mechanism

The *PCI Express Base r2.0* Configuration mechanism is divided into two mechanisms:

- [PCI r3.0-Compatible Configuration Mechanism](#) – Provides Conventional PCI access to the first 256 bytes (the bytes at offsets 00h through FFh) of the NT Port Virtual Interface Configuration Register space
- [PCI Express Enhanced Configuration Access Mechanism](#) – Provides access to the entire 4-KB Configuration Space

Both are described in the sections that follow.

14.3.1.1 PCI r3.0-Compatible Configuration Mechanism

The *PCI r3.0-Compatible* Configuration mechanism provides standard access to the PEX 8624 NT Port Virtual Interface's first 256 bytes (the bytes at offsets 00h through FFh) of the PCI Express Configuration Space. (Refer to [Figure 14-1](#).)

The mechanism uses PCI Type 0 and Type 1 Configuration transactions to access the PEX 8624 Configuration registers. All Ports capture the Bus Number and Device Number assigned by the upstream device on the PCI Express Link attached to the PEX 8624 upstream Port, as required by the *PCI Express Base r2.0*.

The PEX 8624 decodes all Type 1 Configuration accesses received on its upstream Port, when any of the following conditions exist:

- If the Bus Number specified in the Configuration access is the number of the PEX 8624 internal virtual PCI Bus, the PEX 8624 automatically converts the Type 1 Configuration access into the appropriate Type 0 Configuration access for the specified device.
 - If the specified device corresponds to the NT Port Virtual Interface (or to the PCI-to-PCI bridge in one of the PEX 8624 Transparent downstream Ports), the PEX 8624 processes the Read or Write Request
 - If the specified Device Number does not correspond to any of the PEX 8624 downstream Port Device Numbers nor NT Port Number, the PEX 8624 responds with an Unsupported Request (UR)

This mechanism uses the same Request format as the [PCI Express Enhanced Configuration Access Mechanism](#). For PCI-compatible Configuration Requests, the *Extended Register Address* field must be all zeros (0).

Because the mechanism is limited to the first 256 bytes of the NT Port Virtual Interface Configuration register space, one of the following must be used to access beyond Byte FFh:

- [PCI Express Enhanced Configuration Access Mechanism](#)
- [Device-Specific Memory-Mapped Configuration Mechanism](#)
- [Device-Specific Cursor Mechanism](#)

14.3.1.2 PCI Express Enhanced Configuration Access Mechanism

The PCI Express Enhanced Configuration Access mechanism uses a flat, Root Complex Memory-Mapped Address space to access the device Configuration registers. In this case, the Memory address determines the Configuration register accessed, and the Memory data returns the addressed register's contents. The Root Complex converts the Memory transaction into a Configuration transaction.

This mechanism is used to access all PEX 8624 Configuration registers.

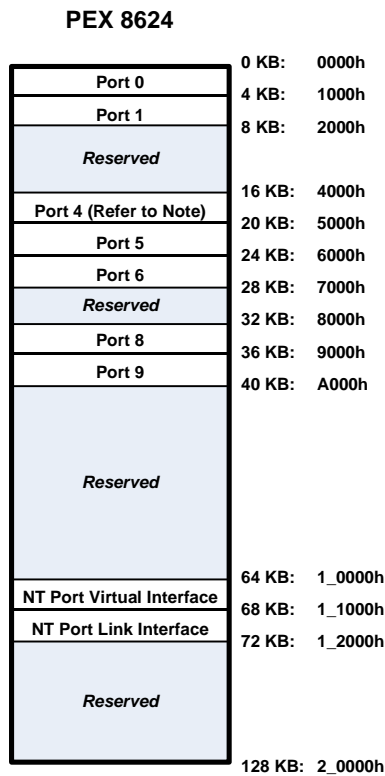
14.3.2 Device-Specific Memory-Mapped Configuration Mechanism

The Device-Specific Memory-Mapped Configuration mechanism provides a method to access the registers for all Ports within a single 128-KB Memory map, as illustrated in Figure 14-1. This Memory map is identical for Upstream Port BAR0/1, NT Port Virtual Interface BAR0/1, and NT Port Link Interface BAR0/1. The registers of each Port are located within a 4-KB range.

When the NT Port is enabled at Fundamental Reset, the NT Port Virtual and Link Interface registers use the PCI r3.0 Type 0 Configuration Space Header.

To use this mechanism, use the PCI r3.0-Compatible Configuration Mechanism to program the PEX 8624 NT Port Virtual Interface Base Address 0 and Base Address 1 registers (BAR0 and BAR1, offsets 10h and 14h, respectively). After the PEX 8624 NT Port Virtual Interface Memory-Mapped register Base address is Set, the PEX 8624 Configuration Space registers are accessed, using Memory Reads and Writes to the 4-KB range, starting at offset 64 KB (1_0000h, Virtual Interface) and offset 68 KB (1_1000h, Link Interface).

Figure 14-1. NT Mode Configuration Register Mapping to Memory-Mapped BAR



Note: Port 4 does not connect to a downstream device; therefore, no Memory nor I/O resources should be defined in Port 4 registers.

14.3.3 Device-Specific Cursor Mechanism

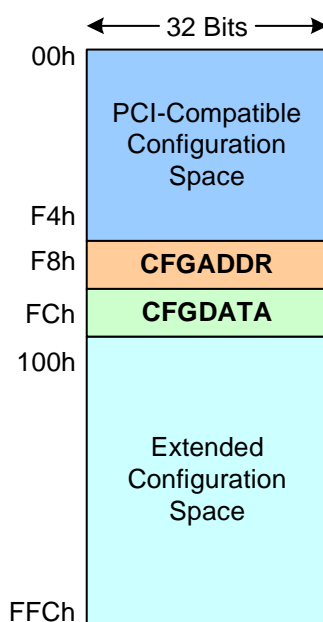
The Device-Specific Cursor mechanism is provided for use in development systems that can only generate *PCI r3.0* Configuration cycles (*that is*, the system cannot use either the [Device-Specific Memory-Mapped Configuration Mechanism](#), nor generate Extended Configuration Requests to access the Extended Configuration Space).

In [Figure 14-2](#), the software uses the **Configuration Address Window** (CFGADDR) register (offset F8h) to point to the NT Port Virtual or Link Interface Configuration Space registers, including the PCI Express Extended Configuration Space registers (offsets 100h through FFFh).

Software uses the **Configuration Data Window** (CFGDATA) register (offset FCh) to write to or read from the selected Configuration Space registers.

Refer to [Section 14.10](#), “NT Port Virtual Interface Vendor-Specific Capability 3 Registers (Offsets C8h – FCh),” for the register descriptions.

Figure 14-2. Configuration Space View



14.4 Register Descriptions

The remainder of this chapter details the PEX 8624 NT Port Virtual Interface registers, including:

- Bit/field names
- Description of register functions in the PEX 8624 NT Port Virtual and Link Interfaces
- Type (*such as* RW or HwInit; refer to [Table 12-5](#), “[Register Types, Grouped by User Accessibility](#),” for Type descriptions)
- Whether the power-on/reset value can be modified, by way of the PEX 8624 serial EEPROM and/or I²C Initialization feature
- Default power-on/reset value

14.5 NT Port Virtual Interface PCI-Compatible Type 0 Configuration Header Registers (Offsets 00h – 3Ch)

This section details the NT Port Virtual Interface PCI-Compatible Type 0 Configuration Header registers. Table 14-2 defines the register map.

Table 14-2. NT Port Virtual Interface PCI-Compatible Type 0 Configuration Header Register Map

| | | | |
|------------------------------------|---------------------------|--|--------------------|
| 31 30 29 28 27 26 25 24 | 23 22 21 20 19 18 17 16 | 15 14 13 12 11 10 9 8 7 6 5 4 3 2 1 0 | 00h |
| Device ID | | Vendor ID | |
| PCI Status | | PCI Command | |
| PCI Class Code | | PCI Revision ID | |
| PCI BIST <i>(Not Supported)</i> | PCI Header Type | Master Latency Timer <i>(Not Supported)</i> | Cache Line Size |
| Base Address 0 | | | 10h |
| Base Address 1 | | | 14h |
| Base Address 2 | | | 18h |
| Base Address 3 | | | 1Ch |
| Base Address 4 | | | 20h |
| Base Address 5 | | | 24h |
| <i>Reserved</i> | | | 28h |
| Subsystem ID | | Subsystem Vendor ID | |
| Expansion ROM Base Address | | | 30h |
| <i>Reserved</i> | | Capability Pointer (40h) | |
| <i>Reserved</i> | | | 38h |
| Max_Lat <i>(Reserved)</i> | Min_Gnt <i>(Reserved)</i> | PCI Interrupt Pin | PCI Interrupt Line |
| | | | 3Ch |

Register 14-1. 00h PCI Configuration ID

| Bit(s) | Description | Type | Serial EEPROM and I ² C | Default |
|--------|---|------|------------------------------------|---------|
| 15:0 | Vendor ID Identifies the device manufacturer. Defaults to the PCI-SIG-issued Vendor ID of PLX (10B5h), if not overwritten by serial EEPROM and/or I ² C. | RO | Yes | 10B5h |
| 31:16 | Device ID Identifies the particular device. Defaults to the PLX part number for the PEX 8624, if not overwritten by serial EEPROM and/or I ² C. | RO | Yes | 8624h |

Register 14-2. 04h PCI Command/Status

| Bit(s) | Description | Type | Serial EEPROM and I ² C | Default |
|--------------------|--|-------|------------------------------------|---------|
| PCI Command | | | | |
| 0 | I/O Access Enable The PEX 8624 does not claim I/O resources, nor does it forward I/O transactions through the NT Port. The value of this register is “Don’t Care.” | RW | Yes | 0 |
| 1 | Memory Access Enable 0 = PEX 8624 ignores Memory Space Requests on the NT Port Virtual Interface 1 = PEX 8624 accepts Memory Space Requests received on the NT Port Virtual Interface | RW | Yes | 0 |
| 2 | Bus Master Enable Controls PEX 8624 forwarding of Memory Requests upstream. Does not affect Message forwarding nor Completions. 0 = PEX 8624 handles Memory Requests received on the NT Port Link Interface as Unsupported Requests (URs); for Non-Posted Requests, the PEX 8624 returns a Completion with UR Completion status 1 = PEX 8624 forwards Memory Requests upstream | RW | Yes | 0 |
| 3 | Special Cycle Enable <i>Not supported</i> Cleared, as required by the <i>PCI Express Base r2.0</i> . | RsvdP | No | 0 |
| 4 | Memory Write and Invalidate Enable <i>Not supported</i> Cleared, as required by the <i>PCI Express Base r2.0</i> . | RsvdP | No | 0 |
| 5 | VGA Palette Snoop <i>Not supported</i> Cleared, as required by the <i>PCI Express Base r2.0</i> . | RsvdP | No | 0 |
| 6 | Parity Error Response Enable Controls bit 24 (<i>Master Data Parity Error Detected</i>). | RW | Yes | 0 |
| 7 | IDSEL Stepping/Wait Cycle Control <i>Not supported</i> Cleared, as required by the <i>PCI Express Base r2.0</i> . | RsvdP | No | 0 |
| 8 | SERR# Enable Controls bit 30 (<i>Signaled System Error</i>). 1 = Enables reporting of Fatal and Non-Fatal errors detected by the NT Port Virtual Interface to the Root Complex | RW | Yes | 0 |
| 9 | Fast Back-to-Back Transactions Enable <i>Not supported</i> Cleared, as required by the <i>PCI Express Base r2.0</i> . | RsvdP | No | 0 |
| 10 | Interrupt Disable 0 = NT Port Virtual Interface is enabled to generate INT _x Interrupt Messages 1 = NT Port Virtual Interface is prevented from generating INT _x Interrupt Messages | RW | Yes | 0 |
| 15:11 | Reserved | RsvdP | No | 00h |

Register 14-2. 04h PCI Command/Status (Cont.)

| Bit(s) | Description | Type | Serial EEPROM and I ² C | Default |
|-------------------|---|-------|------------------------------------|---------|
| PCI Status | | | | |
| 18:16 | <i>Reserved</i> | RsvdP | No | 000b |
| 19 | Interrupt Status 0 = No INT _x interrupt is pending 1 = INT _x interrupt is pending internally to the NT Port Virtual Interface –or– PEX_INTA# (if enabled) is asserted | RO | No | 0 |
| 20 | Capability List Capability function is supported. Set as required by the <i>PCI Express Base r2.0</i> . | RO | Yes | 1 |
| 21 | 66 MHz Capable Cleared, as required by the <i>PCI Express Base r2.0</i> . | RsvdP | No | 0 |
| 22 | <i>Reserved</i> | RsvdP | No | 0 |
| 23 | Fast Back-to-Back Transactions Capable <i>Not supported</i> Cleared, as required by the <i>PCI Express Base r2.0</i> . | RsvdP | No | 0 |

Register 14-2. 04h PCI Command/Status (Cont.)

| Bit(s) | Description | Type | Serial EEPROM and I ² C | Default |
|--------|---|-------|------------------------------------|---------|
| 24 | <p>Master Data Parity Error Detected</p> <p>If bit 6 (<i>Parity Error Response Enable</i>) is Set, the NT Port Virtual Interface Sets this bit when the NT Port:</p> <ul style="list-style-type: none"> Forwards the poisoned Transaction Layer Packet (TLP) Write Request from the NT Port Link Interface to the NT Port Virtual Interface, –or– Receives a Completion marked as poisoned on the NT Port Virtual Interface <p>If the <i>Parity Error Response Enable</i> bit is Cleared, the PEX 8624 never Sets this bit.</p> <p>This error is natively reported by the Uncorrectable Error Status register <i>Poisoned TLP Status</i> bit (offset FB8h[12]), which is mapped to this bit for Conventional PCI backward compatibility.</p> | RW1C | Yes | 0 |
| 26:25 | <p>DEVSEL# Timing</p> <p><i>Not supported</i></p> <p>Always Cleared.</p> | RsvdP | No | 00b |
| 27 | <p>Signaled Target Abort</p> <p>The NT Port Virtual Interface Sets this bit if any of the following conditions exist:</p> <ul style="list-style-type: none"> NT Port Virtual Interface receives a Completion (from a Transparent Port) that has a Completion status of Completer Abort (CA), –or– NT Port Virtual Interface receives a Memory Request targeting a PEX 8624 register, and the Payload Length (indicated within the Memory Request Header) is greater than 1 DWord NT Port Virtual Interface receives a Memory Request targeting a PEX 8624 register address within a non-existent Port NT Port Virtual Interface receives a Memory Write Request targeting enabled Expansion ROM Address space (Expansion ROM Base Address Register (BAR), offset 30h) <p><i>Note: When Set during a forwarded Completion, the Uncorrectable Error Status register <i>Completer Abort Status</i> bit (offset FB8h[15]) is not Set.</i></p> | RW1C | Yes | 0 |
| 28 | <p>Received Target Abort</p> <p>Defaults to 0, as required by the <i>PCI Express Base r2.0</i>.</p> | RsvdP | No | 0 |
| 29 | <p>Received Master Abort</p> <p>Defaults to 0, as required by the <i>PCI Express Base r2.0</i>.</p> | RsvdP | No | 0 |
| 30 | <p>Signaled System Error</p> <p>If bit 8 (<i>SERR# Enable</i>) is Set, the NT Port Virtual Interface Sets this bit when transmitting an ERR_FATAL or ERR_NONFATAL Message to the upstream Port.</p> | RW1C | Yes | 0 |
| 31 | <p>Detected Parity Error</p> <p>The NT Port Virtual Interface Sets this bit when receiving a Poisoned TLP, regardless of the bit 6 (<i>Parity Error Response Enable</i>) state.</p> <p>This error is natively reported by the Uncorrectable Error Status register <i>Poisoned TLP Status</i> bit (offset FB8h[12]), which is mapped to this bit for Conventional PCI backward compatibility.</p> | RW1C | Yes | 0 |

Register 14-3. 08h PCI Class Code and Revision ID

| Bit(s) | Description | Type | Serial EEPROM and I ² C | Default |
|------------------------|---|------|------------------------------------|------------------|
| PCI Revision ID | | | | |
| 7:0 | Revision ID Unless overwritten by the serial EEPROM, returns the Silicon Revision (AAh, ABh, or BBh), the PLX-assigned Revision ID for this version of the PEX 8624. The PEX 8624 Serial EEPROM register Initialization capability is used to replace the PLX Revision ID with another Revision ID. | RO | Yes | AAh, ABh, or BBh |
| PCI Class Code | | | | 068000h |
| 15:8 | Register-Level Programming Interface | RO | Yes | 00h |
| 23:16 | Sub-Class Code Other bridge devices. | RO | Yes | 80h |
| 31:24 | Base Class Code Bridge devices. | RO | Yes | 06h |

Register 14-4. 0Ch Miscellaneous Control

| Bit(s) | Description | Type | Serial EEPROM and I ² C | Default |
|-----------------------------|---|-------|------------------------------------|---------|
| Cache Line Size | | | | |
| 7:0 | Cache Line Size System Cache Line Size. Implemented as a RW field for Conventional PCI compatibility purposes and does not impact PEX 8624 functionality. | RW | Yes | 00h |
| Master Latency Timer | | | | |
| 15:8 | Master Latency Timer <i>Not supported</i> Cleared, as required by the <i>PCI Express Base r2.0</i> . | RsvdP | No | 00h |
| PCI Header Type | | | | |
| 22:16 | Configuration Layout Type Type 0 Configuration Header for the NT Port. | RO | No | 00h |
| 23 | Multi-Function Device 0 = Single-function device 1 = Indicates multiple (up to eight) functions (logical devices), each containing its own, individually addressable Configuration Space, 256 DWords in size | RO | No | 0 |
| PCI BIST | | | | |
| 31:24 | PCI BIST <i>Not supported</i> Built-In Self-Test (BIST) Pass or Fail. | RsvdP | No | 00h |

Register 14-5. 10h Base Address 0 (NT Port Virtual Interface Memory Space)

| Bit(s) | Description | Type | Serial EEPROM and I ² C | Default |
|--|--|-------|------------------------------------|---------|
| <p>Notes: By default, NT Port Virtual Interface BAR0 is enabled and BARI is disabled, to provide a 32-bit BAR0 for register access. BARI can be enabled (by serial EEPROM or I²C), to provide a 64-bit BAR0/I, by programming the NT Port Virtual Interface BAR0/I Setup register BAR0/I Enable field (NT Port Virtual Interface, offset D0h[1:0]) to 11b (which enables both BAR0 and BARI).</p> <p>When software writes to the NT Port Virtual Interface BAR0, the value is automatically copied to the NT Port Virtual Interface BAR0 (Shadow Copy) register (NT Port Virtual Interface, offset D68h).</p> | | | | |
| 0 | <p>Memory Space Indicator</p> <p>When enabled, the Base Address register maps PEX 8624 Port Configuration registers into Memory space.</p> <p><i>Note:</i> Hardwired to 0.</p> | RO | No | 0 |
| 2:1 | <p>Memory Map Type</p> <p>00b = Base Address register is 32 bits wide and can be mapped anywhere in the 32-bit Memory space</p> <p>10b = Base Address register is 64 bits wide and can be mapped anywhere in the 64-bit Address space</p> <p>All other encodings are <i>reserved</i>.</p> | RO | Yes | 00b |
| 3 | <p>Prefetchable</p> <p>0 = Base Address register maps the PEX 8624 Port Configuration registers into Non-Prefetchable Memory space</p> | RO | Yes | 0 |
| 16:4 | Reserved | RsvdP | No | 0-0h |
| 31:17 | <p>Base Address 0</p> <p>128-KB-aligned Base address used for Memory-Mapped access to the 128-KB block of all PEX 8624 registers (4 KB, per Port).</p> | RW | Yes | 0-0h |

Register 14-6. 14h Base Address 1 (NT Port Virtual Interface Memory Space)

| Bit(s) | Description | Type | Serial EEPROM and I ² C | Default |
|---|---|------|------------------------------------|------------|
| <p>Note: When software writes to the NT Port Virtual Interface BARI, the value is automatically copied to the NT Port Virtual Interface BARI (Shadow Copy) register (NT Port Virtual Interface, offset D6Ch).</p> | | | | |
| 31:0 | <p>Upper 32-Bit Address for Memory-Mapped BAR</p> <p>For 64-bit addressing (BAR0/I), Base Address 1 (BARI) extends Base Address 0 (BAR0) to provide the upper 32 Address bits when the Base Address 0 register Memory Map Type field (offset 10h[2:1]) is programmed to 10b.</p> | RW | Yes | 0000_0000h |
| | <p>RO when the Base Address 0 (BAR0) register is not enabled as a 64-bit BAR (Memory Map Type field (offset 10h[2:1]) is not programmed to 10b).</p> | RO | Yes | 0000_0000h |

Register 14-7. 18h Base Address 2 (NT Port Virtual Interface Memory Space)

| Bit(s) | Description | Type | Serial EEPROM and I ² C | Default |
|--|---|-------|------------------------------------|---------|
| <p><i>Note:</i> When software writes to the NT Port Virtual Interface Base Address 2 register (BAR2), the value is automatically copied to the NT Port Virtual Interface BAR2 (Shadow Copy) register (NT Port Virtual Interface, offset D70h).</p> | | | | |
| 0 | <p>Memory Space Indicator 0 = Implemented as a Memory BAR</p> | RO | No | 0 |
| 2:1 | <p>Memory Map Type 00b = Base Address register is 32 bits wide and can be mapped anywhere in the 32-bit Memory space 10b = Base Address register is 64 bits wide and can be mapped anywhere in the 64-bit Address space All other encodings are <i>reserved</i>.</p> | RO | Yes | 00b |
| 3 | <p>Prefetchable 0 = Non-Prefetchable 1 = Prefetchable</p> | RO | Yes | 0 |
| 19:4 | <i>Reserved</i> | RsvdP | No | 0_000h |
| 31:20 | <p>Base Address 2 Resolution is 1 MB.</p> | RW | Yes | 000h |

Register 14-8. 1Ch Base Address 3 (NT Port Virtual Interface Memory Space)

| Bit(s) | Description | Type | Serial EEPROM and I ² C | Default | |
|--|--|---------------------|------------------------------------|---------|--------|
| <p><i>Notes:</i> When software writes to the NT Port Virtual Interface Base Address 3 register (BAR3), the value is automatically copied to the NT Port Virtual Interface BAR3 (Shadow Copy) register (NT Port Virtual Interface, offset D74h). This register has RW privilege if BAR2/3 is configured as a 64-bit BAR (Base Address 2 register Memory Map Type field (NT Port Virtual Interface, offset 18h[2:1]), is programmed to 10b).</p> | | | | | |
| 0 | <p>Memory Space Indicator BAR3 can be used as an independent 32-bit only BAR, or as the upper 32 bits of 64-bit BAR2/3. 0 = Memory BAR – only value supported</p> | Offset 18h[2:1]=00b | RsvdP | No | 0 |
| | | Offset 18h[2:1]=10b | RW | Yes | 0 |
| 2:1 | <p>Memory Map Type 00b = Base Address register is 32 bits wide and can be mapped anywhere in the 32-bit Memory space All other encodings are <i>reserved</i>.</p> | Offset 18h[2:1]=00b | RsvdP | No | 00b |
| | | Offset 18h[2:1]=10b | RW | Yes | 00b |
| 3 | <p>Prefetchable 0 = Non-Prefetchable 1 = Prefetchable</p> | Offset 18h[2:1]=00b | RsvdP | No | 0 |
| | | Offset 18h[2:1]=10b | RW | Yes | 0 |
| 19:4 | <p><i>Reserved</i> When BAR2/3 are used as a 64-bit BAR, bits [31:0] (including bits [19:4]) are used as the upper 32 bits.</p> | Offset 18h[2:1]=00b | RsvdP | No | 0_000h |
| | | Offset 18h[2:1]=10b | RW | Yes | 0_000h |
| 31:20 | Base Address 3 | RW | Yes | 000h | |

Register 14-9. 20h Base Address 4 (NT Port Virtual Interface Memory Space)

| Bit(s) | Description | Type | Serial EEPROM and I ² C | Default |
|--|--|-------|------------------------------------|---------|
| <i>Note:</i> When software writes to the NT Port Virtual Interface Base Address 4 register (BAR4), the value is automatically copied to the NT Port Virtual Interface BAR4 (Shadow Copy) register (NT Port Virtual Interface, offset D78h). | | | | |
| 0 | Memory Space Indicator 0 = Memory BAR – only value supported | RO | No | 0 |
| 2:1 | Memory Map Type 00b = Base Address register is 32 bits wide and can be mapped anywhere in the 32-bit Memory space 10b = Base Address register is 64 bits wide and can be mapped anywhere in the 64-bit Address space All other encodings are <i>reserved</i> . | RO | Yes | 00b |
| 3 | Prefetchable 0 = Non-Prefetchable 1 = Prefetchable | RO | Yes | 0 |
| 19:4 | <i>Reserved</i> | RsvdP | No | 0_000h |
| 31:20 | Base Address 4 | RW | Yes | 000h |

Register 14-10. 24h Base Address 5 (NT Port Virtual Interface Memory Space)

| Bit(s) | Description | Type | Serial EEPROM and I ² C | Default | |
|---|--|---------------------|------------------------------------|---------|--------|
| <i>Notes:</i> When software writes to the NT Port Virtual Interface Base Address 5 register (BAR5), the value is automatically copied to the NT Port Virtual Interface BAR5 (Shadow Copy) register (NT Port Virtual Interface, offset D7Ch). This register has RW privilege if BAR4/5 is configured as a 64-bit BAR (Base Address 4 register Memory Map Type field (NT Port Virtual Interface, offset 20h[2:1]), is programmed to 10b). | | | | | |
| 0 | Memory Space Indicator BAR5 can be used as an independent 32-bit only BAR, or as the upper 32 bits of 64-bit BAR4/5 . 0 = Memory BAR – only value supported | Offset 20h[2:1]=00b | RsvdP | No | 0 |
| | | Offset 20h[2:1]=10b | RW | Yes | 0 |
| 2:1 | Memory Map Type 00b = Base Address register is 32 bits wide and can be mapped anywhere in the 32-bit Memory space All other encodings are <i>reserved</i> . | Offset 20h[2:1]=00b | RsvdP | No | 00b |
| | | Offset 20h[2:1]=10b | RW | Yes | 00b |
| 3 | Prefetchable 0 = Non-Prefetchable 1 = Prefetchable | Offset 20h[2:1]=00b | RsvdP | Yes | 0 |
| | | Offset 20h[2:1]=10b | RW | Yes | 0 |
| 19:4 | <i>Reserved</i> When BAR4/5 are used as a 64-bit BAR, bits [31:0] (including bits [19:4]) are used as the upper 32 bits. | Offset 20h[2:1]=00b | RsvdP | No | 0_000h |
| | | Offset 20h[2:1]=10b | RW | Yes | 0_000h |
| 31:20 | Base Address 5 | RW | Yes | 000h | |

Register 14-11. 2Ch Subsystem ID and Subsystem Vendor ID

| Bit(s) | Description | Type | Serial EEPROM and I ² C | Default |
|----------------------------|---|------|------------------------------------|---------|
| Subsystem Vendor ID | | | | |
| 15:0 | Subsystem Vendor ID Identifies the device manufacturer. Defaults to the PCI-SIG-issued Vendor ID of PLX (10B5h), if not overwritten by serial EEPROM and/or I ² C. | RO | Yes | 10B5h |
| Subsystem ID | | | | |
| 31:16 | Subsystem ID Identifies the particular device. Defaults to the PLX part number for the PEX 8624, if not overwritten by serial EEPROM and/or I ² C. | RO | Yes | 8624h |

Register 14-12. 30h Expansion ROM Base Address

| Bit(s) | Description | Type | Serial EEPROM and I ² C | Default | |
|--|--|---|------------------------------------|---------|------|
| <i>Note: Expansion ROM can be enabled in either the NT Port Virtual or Link Interface, but not both simultaneously. Expansion ROM is enabled, by default, in the NT Port Link Interface (Ingress Control register Expansion ROM Virtual Side bit (Port 0, and also NT Port Virtual Interface if Port 0 is the NT Port, offset 660h[23]) is Cleared).</i> | | | | | |
| 0 | Expansion ROM Enable 0 = NT Port Virtual Interface Expansion ROM is disabled | NT Port Link Interface, offset 30h[0]=1 | RsvdP | No | 0 |
| | 1 = NT Port Virtual Interface Expansion ROM is enabled, and NT Port Link Interface Expansion ROM is disabled | NT Port Link Interface, offset 30h[0]=0 | RW | Yes | 0 |
| | | NT Port Link Interface, offset 30h[0]=1 | RsvdP | No | 0 |
| 13:1 | Reserved | | RsvdP | No | 0-0h |
| 31:14 | Expansion ROM Base Address If the Serial EEPROM Clock Frequency register Expansion ROM Size bit (Port 0, and also NT Port Virtual Interface if Port 0 is the NT Port, offset 268h[16]) value is 0, the Expansion ROM size is 16 KB (default value is FFFF_C001h). Bit 14 is RW. If the Expansion ROM Size bit value is 1, the Expansion ROM size is 32 KB (default value is FFFF_8001h). Bit 14 is RO. | When Bit 0 = 0 | RsvdP | No | 0-0h |
| | | When Bit 0 = 1 | RW | Yes | 0-0h |

Register 14-13. 34h Capability Pointer

| Bit(s) | Description | Type | Serial EEPROM and I ² C | Default |
|--------|--|-------|------------------------------------|----------|
| 7:0 | Capability Pointer Default 40h points to the PCI Power Management Capability structure. | RO | Yes | 40h |
| 31:8 | <i>Reserved</i> | RsvdP | No | 0000_00h |

Register 14-14. 3Ch PCI Interrupt

| Bit(s) | Description | Type | Serial EEPROM and I ² C | Default |
|--------|---|-------|------------------------------------|---------|
| 7:0 | PCI Interrupt Line The Interrupt Line Routing value communicates interrupt line routing information. Values in this register are programmed by system software and are system architecture-specific. The value is used by device drivers and operating systems. | RW | Yes | 00h |
| 15:8 | PCI Interrupt Pin Identifies the Conventional PCI Interrupt Message(s) the device (or device function) uses. Only value 00h or 01h is allowed in the PEX 8624. 00h = Indicates that the device does not use Conventional PCI Interrupt Message(s) 01h, 02h, 03h, and 04h = Maps to Conventional PCI Interrupt Messages for INTA#, INTB#, INTC#, and INTD#, respectively | RO | Yes | 01h |
| 23:16 | Min_Gnt <i>Reserved</i> Minimum Grant. Does not apply to PCI Express. | RsvdP | No | 00h |
| 31:24 | Max_Lat <i>Reserved</i> Maximum Latency. Does not apply to PCI Express. | RsvdP | No | 00h |

14.6 NT Port Virtual Interface PCI Power Management Capability Registers (Offsets 40h – 44h)

This section details the NT Port Virtual Interface PCI Power Management Capability registers. Table 14-3 defines the register map.

Table 14-3. NT Port Virtual Interface PCI Power Management Capability Register Map

| | | | |
|---------------------------------|---|---|---------------------|
| 31 30 29 28 27 26 25 24 | 23 22 21 20 19 18 17 16 | 15 14 13 12 11 10 9 8 7 6 5 4 3 2 1 0 | 40h |
| PCI Power Management Capability | | Next Capability Pointer (48h) | Capability ID (01h) |
| PCI Power Management Data | PCI Power Management Control/Status Bridge Extensions (<i>Reserved</i>) | PCI Power Management Status and Control | |
| | | | 44h |

Register 14-15. 40h PCI Power Management Capability

| Bit(s) | Description | Type | Serial EEPROM and I ² C | Default |
|--------|---|-------|------------------------------------|---------|
| 7:0 | Capability ID Default = 01h – only value allowed. | RO | Yes | 01h |
| 15:8 | Next Capability Pointer Default 48h points to the MSI Capability structure. | RO | Yes | 48h |
| 18:16 | Version Default = 011b – only value allowed. | RO | Yes | 011b |
| 19 | PME Clock Power Management Event (PME) clock. Does not apply to PCI Express. Returns 0. | RsvdP | No | 0 |
| 20 | <i>Reserved</i> | RsvdP | No | 0 |
| 21 | Device-Specific Initialization Default 0 indicates that Device-Specific Initialization is <i>not</i> required. | RO | Yes | 0 |
| 24:22 | AUX Current The PEX 8624 does <i>not support</i> PME generation from the D3cold Device Power Management (PM) state; therefore, the serial EEPROM value for this field should be 000b. | RO | Yes | 000b |
| 25 | D1 Support <i>Not supported</i> Default value of 0 indicates that the PEX 8624 does <i>not support</i> the D1 Device PM state. | RsvdP | No | 0 |
| 26 | D2 Support <i>Not supported</i> Default value of 0 indicates that the PEX 8624 does <i>not support</i> the D2 Device PM state. | RsvdP | No | 0 |
| 31:27 | PME Support The default value is applied to bits [31, 30, and 27] only. PME Messages are disabled, by default. | RO | Yes | 0000_0b |

Register 14-16. 44h PCI Power Management Status and Control

| Bit(s) | Description | Type | Serial EEPROM and I ² C | Default |
|--|--|-------|------------------------------------|---------|
| PCI Power Management Status and Control | | | | |
| 1:0 | <p>Power State Used to determine the Port's current Device PM state, and to Set the Port into a new Device PM state.</p> <p>00b = D0 01b = D1 – <i>Not supported</i> 10b = D2 – <i>Not supported</i> 11b = D3hot</p> <p>If software attempts to write an unsupported state to this field, the Write operation completes normally; however, the data is discarded and no state change occurs.</p> | RW | Yes | 00b |
| 2 | Reserved | RsvdP | No | 0 |
| 3 | <p>No Soft Reset 1 = Devices transitioning from the D3hot to D0 Device PM state, because of Power State commands, do not perform an internal reset</p> | RO | Yes | 1 |
| 7:4 | Reserved | RsvdP | No | 0h |
| 8 | <p>PME Enable Tied to 0, because the PEX 8624 does <i>not</i> generate PME in PCI Express mode.</p> | RsvdP | No | 0 |
| 12:9 | <p>Data Select Initially writable by serial EEPROM and/or I²C only^a. This Configuration Space register (CSR) access privilege changes to RW after a Serial EEPROM or I²C Write occurs to this register. Selects the Data and Data Scale registers (fields [31:24 and 14:13], respectively).</p> <p>0h = D0 power consumed 3h = D3hot power consumed 4h = D0 power dissipated 7h = D3hot power dissipated</p> <p>All other encodings are <i>reserved</i>.</p> | RO | Yes | 0h |
| 14:13 | <p>Data Scale Writable by serial EEPROM and/or I²C only^a. Indicates the scaling factor to be used when interpreting the Data register value. The value and meaning of this field varies, depending upon which data value is selected by field [12:9] (<i>Data Select</i>). There are four internal Data Scale registers (one each, per <i>Data Select</i> values 0h, 3h, 4h, and 7h). For other <i>Data Select</i> values, the Data Scale value returned is 0h.</p> | RO | Yes | 00b |
| 15 | <p>PME Status 0 = PME is not being generated by the NT Port</p> | RsvdP | No | 0 |

Register 14-16. 44h PCI Power Management Status and Control (Cont.)

| Bit(s) | Description | Type | Serial EEPROM and I ² C | Default |
|--|--|-------|------------------------------------|---------|
| PCI Power Management Control/Status Bridge Extensions | | | | |
| 21:16 | <i>Reserved</i> | RsvdP | No | 0-0h |
| 22 | B2/B3 Support <i>Reserved</i> Cleared, as required by the <i>PCI Power Mgmt. r1.2</i> . | RsvdP | No | 0 |
| 23 | Bus Power/Clock Control Enable <i>Reserved</i> Cleared, as required by the <i>PCI Power Mgmt. r1.2</i> . | RsvdP | No | 0 |
| PCI Power Management Data | | | | |
| 31:24 | Data Writable by serial EEPROM and/or I ² C only ^a . There are four supported <i>Data Select</i> values (0h, 3h, 4h, and 7h). For other <i>Data Select</i> values, the Data Scale value returned is 0h. Selected by field [12:9] (<i>Data Select</i>). | RO | Yes | 00h |

a. *With no serial EEPROM nor previous I²C programming, Reads return 00h for the **Data** and **Data Scale** registers (for all Data Selects).*

14.7 NT Port Virtual Interface MSI Capability Registers (Offsets 48h – 64h)

The registers detailed in Section 12.8, “MSI Capability Registers (Offsets 48h – 64h),” are also applicable to the NT Port Virtual Interface, except as defined in Table 14-4 (register map), and Register 14-17 and Register 14-18.

Table 14-4. NT Port Virtual Interface MSI Capability Register Map^a

| 31 30 29 28 27 26 25 24 23 22 21 20 19 18 17 16 | | | | | | | | | | | | | | | | 15 14 13 12 11 10 9 8 7 6 5 4 3 2 1 0 | | | | | | | | | | | | | | | | | | | | | | | | | | | | | | | | |
|---|--|--|--|--|--|--|--|--|--|--|--|--|--|--|--|---------------------------------------|--|--|--|--|--|--|--|--|--|--|--|--|--|--|--|---------------------|--|--|--|--|--|--|--|--|--|--|--|--|--|--|--|-----|
| MSI Control | | | | | | | | | | | | | | | | Next Capability Pointer (68h) | | | | | | | | | | | | | | | | Capability ID (05h) | | | | | | | | | | | | | | | | 48h |
| MSI Address | | | | | | | | | | | | | | | | | | | | | | | | | | | | | | | | 4Ch | | | | | | | | | | | | | | | | |
| MSI Upper Address | | | | | | | | | | | | | | | | | | | | | | | | | | | | | | | | 50h | | | | | | | | | | | | | | | | |
| <i>Reserved</i> | | | | | | | | | | | | | | | | MSI Data | | | | | | | | | | | | | | | | 54h | | | | | | | | | | | | | | | | |
| MSI Mask | | | | | | | | | | | | | | | | | | | | | | | | | | | | | | | | 58h | | | | | | | | | | | | | | | | |
| MSI Status | | | | | | | | | | | | | | | | | | | | | | | | | | | | | | | | 5Ch | | | | | | | | | | | | | | | | |
| <i>Reserved</i> | | | | | | | | | | | | | | | | | | | | | | | | | | | | | | | | 60h – 64h | | | | | | | | | | | | | | | | |

- a. Offsets 54h, 58h, and 5Ch change to 50h, 54h, and 58h, respectively, when the **MSI Control** register **MSI 64-Bit Address Capable** bit (offset 48h[23]) is Cleared.

Register 14-17. 58h MSI Mask

| Bit(s) | Description | Type | Serial EEPROM and I ² C | Default | |
|--|--|------------------------|------------------------------------|---------|-----------|
| <p>The interrupt sources in the NT Port Virtual Interface are grouped into four categories – Power Management/Link State events, Device-Specific errors and events, GPIO-generated interrupts, and NT-Virtual Doorbell-generated interrupts.</p> <p>The number of allocated MSI Vectors is determined by the MSI Control register <i>Multiple Message Capable</i> and <i>Multiple Message Enable</i> fields (offset 48h[19:17 and 22:20], respectively). When the number of MSI Vectors that can be requested is:</p> <ul style="list-style-type: none"> • Four – Device-Specific errors and events, Power Management/Link State events, and GPIO events each generate their own MSI Vector. • Two – Device-Specific errors and events generate their own MSI Vector, while all other categories are combined and generate the same Vector. • One – All interrupt categories generate the same MSI Vector. <p><i>Note:</i> The offset for this register changes from 58h, to 54h, when the MSI Control register <i>MSI 64-Bit Address Capable bit</i> (offset 48h[23]) is Cleared.</p> <p>The bits in this register can be used to mask their respective MSI Status register bits (offset 5Ch).</p> | | | | | |
| 0 | <p>MSI Mask for Link State Events MSI mask for Power Management event- or Link State event-generated interrupts.</p> | Offset 48h[22:20]≥010b | RW | Yes | 0 |
| | <p>MSI Mask for Shared Interrupt Sources MSI mask for all interrupt sources when the MSI Control register <i>Multiple Message Enable</i> field indicates that the Host has allocated one or two Vectors.</p> | Offset 48h[22:20]≤001b | RW | Yes | 0 |
| 1 | <p>MSI Mask for Device-Specific Errors and Events MSI mask for Device-Specific error- and event-generated interrupts. Enables MSIs for the RAM ECC errors defined in the Device-Specific Error Status for Egress ECC Error, Device-Specific Error Mask for Egress ECC Error, Error Handler 32-Bit Error Status, and Error Handler 32-Bit Error Mask registers (Port 0, 4, or 8, and also NT Port Virtual Interface if Port 0 is the NT Port, unless noted otherwise, offsets 1C0h, 1C4h, 1CCh, and 1D0h, respectively). Also enables MSIs for the NT-Link Port events defined in the Link Error Status Virtual and Link Error Mask Virtual registers (NT Port Virtual Interface, offsets FE0h and FE4h, respectively). <i>Note:</i> For further details, refer to <i>Section 9.1.1, “Interrupt Sources or Events.”</i></p> | Offset 48h[22:20]≥001b | RW | Yes | 0 |
| | <i>Reserved</i> | Offset 48h[22:20]=000b | RsvdP | No | 0 |
| 2 | <p>MSI Mask for GPIO-Generated Interrupts</p> | Offset 48h[22:20]≥010b | RW | Yes | 0 |
| | <i>Reserved</i> | Offset 48h[22:20]≤001b | RsvdP | No | 0 |
| 3 | <p>MSI Mask for NT-Virtual Doorbell-Generated Interrupts Refer to the NT Port registers located at offsets C4Ch through C58h.</p> | Offset 48h[22:20]≥010b | RW | Yes | 0 |
| | <i>Reserved</i> | Offset 48h[22:20]≤001b | RsvdP | No | 0 |
| 31:4 | <i>Reserved</i> | | RsvdP | No | 0000_000h |

Register 14-18. 5Ch MSI Status

| Bit(s) | Description | Type | Serial EEPROM and I ² C | Default | |
|---|---|------------------------|------------------------------------|---------|---|
| <p>The interrupt sources in the NT Port Virtual Interface are grouped into four categories – Power Management/Link State events, Device-Specific errors and events, GPIO-generated interrupts, and NT-Virtual Doorbell-generated interrupts.</p> <p>The number of allocated MSI Vectors is determined by the MSI Control register <i>Multiple Message Capable</i> and <i>Multiple Message Enable</i> fields (offset 48h[19:17 and 22:20], respectively). When the number of MSI Vectors that can be requested is:</p> <ul style="list-style-type: none"> • Four – Device-Specific errors and events, Power Management/Link State events, and GPIO events each generate their own MSI Vector. • Two – Device-Specific errors and events generate their own MSI Vector, while all other categories are combined and generate the same Vector. • One – All interrupt categories generate the same MSI Vector. <p><i>Note:</i> The offset for this register changes from 5Ch, to 58h, when the MSI Control register <i>MSI 64-Bit Address Capable</i> bit (offset 48h[23]) is Cleared.</p> <p>The bits in this register can be masked by their respective MSI Mask register bits (offset 58h).</p> | | | | | |
| 0 | MSI Pending Status for Link State Events MSI pending status for Power Management event- or Link State event-generated interrupts. | Offset 48h[22:20]≥010b | RO | No | 0 |
| | MSI Pending Status for Shared Interrupt Sources MSI pending status for all interrupt sources when the MSI Control register <i>Multiple Message Enable</i> field indicates that the Host has allocated one or two Vectors. | Offset 48h[22:20]≤001b | RO | No | 0 |
| 1 | MSI Pending Status for Device-Specific Errors and Events MSI pending status for Device-Specific error- and event-generated interrupts. Reports status of enabled MSIs for the RAM ECC errors defined in the Device-Specific Error Status for Egress ECC Error, Device-Specific Error Mask for Egress ECC Error, Error Handler 32-Bit Error Status, and Error Handler 32-Bit Error Mask registers (Port 0, 4, or 8, and also NT Port Virtual Interface if Port 0 is the NT Port, unless noted otherwise, offsets 1C0h, 1C4h, 1CCh, and 1D0h, respectively). Also reports status of enabled MSIs for the NT-Link Port events defined in the Link Error Status Virtual and Link Error Mask Virtual registers (NT Port Virtual Interface, offsets FE0h and FE4h, respectively). <i>Note:</i> For further details, refer to <i>Section 9.1.1, “Interrupt Sources or Events.”</i> | Offset 48h[22:20]≥001b | RO | No | 0 |
| | Reserved | Offset 48h[22:20]=000b | RsvdP | No | 0 |

Register 14-18. 5Ch MSI Status (Cont.)

| Bit(s) | Description | | Type | Serial EEPROM and I ² C | Default |
|--------|--|------------------------|-------|------------------------------------|-----------|
| 2 | MSI Pending Status for GPIO-Generated Interrupts | Offset 48h[22:20]≥010b | RO | No | 0 |
| | <i>Reserved</i> | Offset 48h[22:20]≤001b | RsvdP | No | 0 |
| 3 | MSI Pending Status for NT-Virtual Doorbell-Generated Interrupts Refer to the NT Port registers located at offsets C4Ch through C58h. | Offset 48h[22:20]≥010b | RO | No | 0 |
| | <i>Reserved</i> | Offset 48h[22:20]≤001b | RsvdP | No | 0 |
| 31:4 | <i>Reserved</i> | | RsvdP | No | 0000_000h |

14.8 NT Port Virtual Interface PCI Express Capability Registers (Offsets 68h – A0h)

The registers detailed in [Section 12.9, “PCI Express Capability Registers \(Offsets 68h – A0h\),”](#) are also applicable to the NT Port Virtual Interface, except as defined in [Table 14-5](#) (register map; offsets 7Ch and 80h are *reserved*), and [Register 14-19](#) through [Register 14-24](#).

Table 14-5. NT Port Virtual Interface PCI Express Capability Register Map

| 31 | 30 | 29 | 28 | 27 | 26 | 25 | 24 | 23 | 22 | 21 | 20 | 19 | 18 | 17 | 16 | 15 | 14 | 13 | 12 | 11 | 10 | 9 | 8 | 7 | 6 | 5 | 4 | 3 | 2 | 1 | 0 | | | |
|-------------------------------------|----|----|----|----|----|----|----|----|----|----|----|----|----|----|----|-------------------------------|----|----|----|----|----|---------------------|---|---|---|---|---|-----|---|---|---|-------|--|-----|
| PCI Express Capability | | | | | | | | | | | | | | | | Next Capability Pointer (A4h) | | | | | | Capability ID (10h) | | | | | | 68h | | | | | | |
| Device Capability | | | | | | | | | | | | | | | | | | | | | | | | | | | | | | | | 6Ch | | |
| Device Status | | | | | | | | | | | | | | | | <i>Not Supported/Reserved</i> | | | | | | Device Control | | | | | | 70h | | | | | | |
| Link Capability | | | | | | | | | | | | | | | | | | | | | | | | | | | | | | | | 74h | | |
| Link Status | | | | | | | | | | | | | | | | <i>Reserved</i> | | | | | | Link Control | | | | | | 78h | | | | | | |
| <i>Reserved</i> | | | | | | | | | | | | | | | | | | | | | | | | | | | | | | | | 7Ch – | | 88h |
| Device Capability 2 | | | | | | | | | | | | | | | | | | | | | | | | | | | | | | | | 8Ch | | |
| Device Status 2 (<i>Reserved</i>) | | | | | | | | | | | | | | | | | | | | | | Device Control 2 | | | | | | 90h | | | | | | |
| <i>Reserved</i> | | | | | | | | | | | | | | | | | | | | | | | | | | | | | | | | 94h | | |
| Link Status 2 | | | | | | | | | | | | | | | | | | | | | | Link Control 2 | | | | | | 98h | | | | | | |
| <i>Reserved</i> | | | | | | | | | | | | | | | | | | | | | | | | | | | | | | | | 9Ch – | | A0h |

Register 14-19. 68h PCI Express Capability List and Capability

| Bit(s) | Description | Type | Serial EEPROM and I ² C | Default |
|------------------------------------|--|-------|------------------------------------|---------|
| PCI Express Capability List | | | | |
| 7:0 | Capability ID Program to 10h, by default, as required by the <i>PCI Express Base r2.0</i> . | RO | Yes | 10h |
| 15:8 | Next Capability Pointer Program to A4h, to point to the Subsystem Capability structure. | RO | Yes | A4h |
| PCI Express Capability | | | | |
| 19:16 | Capability Version The PEX 8624 NT Port Virtual Interface programs this field to 2h, as required by the <i>PCI Express Base r2.0</i> . | RO | Yes | 2h |
| 23:20 | Device/Port Type Default = PCI Express endpoint device. | RO | Yes | 0h |
| 24 | Slot Implemented <i>Not valid for PCI Express endpoint devices</i> | RsvdP | No | 0 |
| 29:25 | Interrupt Message Number The serial EEPROM writes 00_000b, because the Base Message and MSI Messages are the same. | RO | Yes | 00_000b |
| 31:30 | Reserved | RsvdP | No | 00b |

Register 14-20. 6Ch Device Capability

| Bit(s) | Description | Type | Serial EEPROM and I ² C | Default |
|--------|---|--------|------------------------------------|---------|
| 2:0 | <p>Maximum Payload Size Supported The Maximum Payload Size for the NT Port Virtual Interface is 2,048 bytes.</p> <p>000b = NT Port Virtual Interface supports a 128-byte maximum payload 001b = NT Port Virtual Interface supports a 256-byte maximum payload 010b = NT Port Virtual Interface supports a 512-byte maximum payload 011b = NT Port Virtual Interface supports a 1,024-byte maximum payload 100b = NT Port Virtual Interface supports a 2,048-byte maximum payload No other encodings are supported.</p> | HwInit | Yes | 100b |
| 4:3 | <p>Phantom Functions Supported <i>Not supported</i></p> | RO | Yes | 00b |
| 5 | <p>Extended Tag Field Supported 0 = Maximum <i>Tag</i> field is 5 bits 1 = Maximum <i>Tag</i> field is 8 bits</p> | RO | Yes | 0 |
| 8:6 | <p>Endpoint L0s Acceptable Latency 111b = No Limit</p> | RO | Yes | 111b |
| 11:9 | <p>Endpoint L1 Acceptable Latency 111b = No Limit</p> | RO | Yes | 111b |
| 14:12 | <i>Reserved</i> | RsvdP | No | 000b |
| 15 | Role-Based Error Reporting | RO | Yes | 1 |
| 17:16 | <i>Reserved</i> | RsvdP | No | 00b |
| 25:18 | <p>Captured Slot Power Limit Value For the NT Port Virtual Interface, the upper limit on power supplied by the slot is determined by multiplying the value in this field by the value in field [27:26] (<i>Captured Slot Power Limit Scale</i>).</p> | RO | Yes | 00h |
| 27:26 | <p>Captured Slot Power Limit Scale For the NT Port Virtual Interface, the upper limit on power supplied by the slot is determined by multiplying the value in this field by the value in field [25:18] (<i>Captured Slot Power Limit Value</i>).</p> <p>00b = 1.0 01b = 0.1 10b = 0.01 11b = 0.001</p> | RO | Yes | 00b |
| 31:28 | <i>Reserved</i> | RsvdP | No | 0h |

Register 14-21. 70h Device Status and Control

| Bit(s) | Description | Type | Serial EEPROM and I ² C | Default |
|-----------------------|---|-------|------------------------------------|---------|
| Device Control | | | | |
| 0 | Correctable Error Reporting Enable 0 = Disables 1 = Enables the NT Port Virtual Interface to report Correctable errors to the Local Host | RW | Yes | 0 |
| 1 | Non-Fatal Error Reporting Enable 0 = Disables 1 = Enables the NT Port Virtual Interface to report Non-Fatal errors to the Local Host | RW | Yes | 0 |
| 2 | Fatal Error Reporting Enable 0 = Disables 1 = Enables the NT Port Virtual Interface to report Fatal errors to the Local Host | RW | Yes | 0 |
| 3 | Unsupported Request Reporting Enable 0 = Disables 1 = Enables the NT Port Virtual Interface to report UR errors to the Local Host | RW | Yes | 0 |
| 4 | Enable Relaxed Ordering <i>Not supported</i> | RsvdP | No | 0 |
| 7:5 | Maximum Payload Size The NT Port Virtual Interface power-on/reset value is 000b, to support a Maximum Payload Size of 128 bytes. Software can change this field to configure the NT Port Virtual Interface to support other Payload sizes; however, software cannot change this field to a value larger than that indicated by the Device Capability register <i>Maximum Payload Size Supported</i> field (offset 6Ch[2:0]), for the NT Port Virtual and Link Interfaces. (Requester and Completer domains must possess the same Maximum Payload Size.) 000b = NT Port Virtual Interface supports a 128-byte maximum payload 001b = NT Port Virtual Interface supports a 256-byte maximum payload 010b = NT Port Virtual Interface supports a 512-byte maximum payload 011b = NT Port Virtual Interface supports a 1,024-byte maximum payload 100b = NT Port Virtual Interface supports a 2,048-byte maximum payload No other encodings are supported. <i>Note: Software must halt all transactions through the NT Port before changing this field.</i> | RW | Yes | 000b |
| 8 | Extended Tag Field Enable <i>Not supported</i> | RsvdP | No | 0 |
| 9 | Phantom Functions Enable <i>Not supported</i> | RsvdP | No | 0 |
| 10 | AUX Power PM Enable <i>Not supported</i> | RsvdP | No | 0 |
| 11 | Enable No Snoop <i>Not supported</i> | RsvdP | No | 0 |
| 14:12 | Maximum Read Request Size <i>Not supported</i> | RsvdP | No | 000b |
| 15 | Reserved | RsvdP | No | 0 |

Register 14-21. 70h Device Status and Control (Cont.)

| Bit(s) | Description | Type | Serial EEPROM and I ² C | Default |
|----------------------|---|-------|------------------------------------|---------|
| Device Status | | | | |
| 16 | <p>Correctable Error Detected</p> <p>Set when the NT Port Virtual Interface detects a Correctable error, regardless of the bit 0 (<i>Correctable Error Reporting Enable</i>) state.</p> <p>0 = NT Port Virtual Interface did not detect a Correctable error 1 = NT Port Virtual Interface detected a Correctable error</p> | RW1C | Yes | 0 |
| 17 | <p>Non-Fatal Error Detected</p> <p>Set when the NT Port Virtual Interface detects a Non-Fatal error, regardless of the bit 1 (<i>Non-Fatal Error Reporting Enable</i>) state.</p> <p>0 = NT Port Virtual Interface did not detect a Non-Fatal error 1 = NT Port Virtual Interface detected a Non-Fatal error</p> | RW1C | Yes | 0 |
| 18 | <p>Fatal Error Detected</p> <p>Set when the NT Port Virtual Interface detects a Fatal error, regardless of the bit 2 (<i>Fatal Error Reporting Enable</i>) state.</p> <p>0 = NT Port Virtual Interface did not detect a Fatal error 1 = NT Port Virtual Interface detected a Fatal error</p> | RW1C | Yes | 0 |
| 19 | <p>Unsupported Request Detected</p> <p>Set when the NT Port Virtual Interface detects a UR, regardless of the bit 3 (<i>Unsupported Request Reporting Enable</i>) state.</p> <p>0 = NT Port Virtual Interface did not detect a UR 1 = NT Port Virtual Interface detected a UR</p> | RW1C | Yes | 0 |
| 20 | <p>AUX Power Detected</p> <p><i>Not supported</i></p> <p>Initially Cleared.</p> | RsvdP | No | 0 |
| 21 | <p>Transactions Pending</p> <p><i>Not supported</i></p> <p>Because the PEX 8624 NT Port is a bridging device, it does not track Completion for the corresponding Non-Posted transactions. Therefore, the NT Port Virtual Interface does not implement Transactions Pending.</p> | RsvdP | No | 0 |
| 31:22 | Reserved | RsvdP | No | 0-0h |

Register 14-22. 74h Link Capability

| Bit(s) | Description | Type | Serial EEPROM and I ² C | Default |
|--------|--|------------------------|------------------------------------|--|
| 3:0 | <p>Supported Link Speeds Indicates the NT Port Virtual Interface’s supported Link speed.</p> <p>0001b = 2.5 GT/s Link speed is supported 0010b = 5.0 GT/s and 2.5 GT/s Link speeds are supported</p> <p>All other encodings are <i>reserved</i>.</p> | RO | Yes | <p>0010b (STRAP_RESERVED17#=H)</p> <p>0001b (STRAP_RESERVED17#=L)</p> |
| 9:4 | <p>Maximum Link Width The PEX 8624 maximum Link width is x8 = 00_1000b. Actual maximum Link width is Set by the STRAP_STNx_PORTCFGx inputs.</p> <p>00_0000b = <i>Reserved</i> 00_0001b = x1 00_0010b = x2 00_0100b = x4 00_1000b = x8</p> <p>All other encodings are <i>not supported</i>.</p> | Refer to Default value | No | Set by STRAP_STNx_PORTCFGx input levels, or by serial EEPROM value for the Port Configuration register <i>Port Configuration for Station x</i> bits (Port 0, and also NT Port Virtual Interface if Port 0 is the NT Port, offset 574h[5:0]) |
| 11:10 | <p>Active State Power Management (ASPM) Support Active State Link PM support. Indicates the level of ASPM supported by the Port.</p> <p>01b = L0s Link PM state entry is supported</p> <p>All other encodings are <i>reserved</i>.</p> | RO | Yes | 01b |
| 14:12 | <p>L0s Exit Latency Indicates the L0s Link PM state exit latency for the given PCI Express Link. Value depends upon the Physical Layer Command and Status register <i>N_FTS Value</i> field (NT Port Virtual Interface, offset 220h[15:8]) value and Link speed. Exit latency is calculated, as follows:</p> <ul style="list-style-type: none"> • 2.5 GHz – Multiply <i>N_FTS Value</i> x 4 (4 symbol times in 1 N_FTS) x 4 ns (1 symbol time at 2.5 GT/s) • 5.0 GHz – Multiply <i>N_FTS Value</i> x 4 (4 symbol times in 1 N_FTS) x 2 ns (1 symbol time at 5.0 GT/s) <p>100b = NT Port Virtual Interface L0s Link PM state Exit Latency is 512 ns to less than 1 μs at 5.0 GT/s 101b = NT Port Virtual Interface L0s Link PM state Exit Latency is 1 μs to less than 2 μs at 2.5 GT/s</p> <p>All other encodings are <i>reserved</i>.</p> <p><i>Note:</i> The NT Port Virtual Interface never enters the L0s Link PM state, because there is no physical Link attached to it.</p> | RO | No | <p>100b (5.0 GT/s)</p> <p>101b (2.5 GT/s)</p> |

Register 14-22. 74h Link Capability (Cont.)

| Bit(s) | Description | Type | Serial EEPROM and I ² C | Default | | | | | | | | | |
|----------------|--|----------------|------------------------------------|---|-----|----------|---|-----|----------|---|------------------------|----|--|
| 17:15 | <p>L1 Exit Latency Indicates the L1 Link PM state exit latency for the given PCI Express Link. Value depends upon the Link speed.</p> <p>001b = NT Port Virtual Interface L1 Link PM state Exit Latency is 1 μs to less than 2 μs at 5.0 GT/s 010b = NT Port Virtual Interface L1 Link PM state Exit Latency is 2 μs to less than 4 μs at 2.5 GT/s</p> <p>All other encodings are <i>reserved</i>.</p> <p><i>Note:</i> The NT Port Virtual Interface never enters the L1 Link PM state, because there is no physical Link attached to it.</p> | RO | Yes | <p>001b (5.0 GT/s)</p> <p>010b (2.5 GT/s)</p> | | | | | | | | | |
| 18 | Clock Power Management | RO | Yes | 0 | | | | | | | | | |
| 23:19 | <i>Reserved</i> | RsvdP | No | 0-0h | | | | | | | | | |
| 31:24 | <p>Port Number The NT Port Number value is limited to the Station 0 Ports, and is selected by the STRAP_NT_UPSTRM_PORTSEL[1:0] Strapping inputs. All other encodings are <i>reserved</i>.</p> <table border="1"> <thead> <tr> <th>Register Value</th> <th>Strapping Input Value</th> <th>Port Number</th> </tr> </thead> <tbody> <tr> <td>00h</td> <td>00b (LL)</td> <td>0</td> </tr> <tr> <td>01h</td> <td>01b (LH)</td> <td>1</td> </tr> </tbody> </table> | Register Value | Strapping Input Value | Port Number | 00h | 00b (LL) | 0 | 01h | 01b (LH) | 1 | Refer to Default value | No | Set by STRAP_NT_UPSTRM_PORTSEL[1:0] input levels |
| Register Value | Strapping Input Value | Port Number | | | | | | | | | | | |
| 00h | 00b (LL) | 0 | | | | | | | | | | | |
| 01h | 01b (LH) | 1 | | | | | | | | | | | |

Register 14-23. 78h Link Status and Control

| Bit(s) | Description | Type | Serial EEPROM and I ² C | Default |
|---------------------|---|-------|------------------------------------|---------|
| Link Control | | | | |
| 1:0 | Active State Power Management (ASPM) Control The NT Port Virtual Interface ignores this register value, because no external Port connection exists. | RW | Yes | 00b |
| 2 | <i>Reserved</i> | RsvdP | No | 0 |
| 3 | Read Request Return Parameter Control Read Request Return Parameter “R” control. Read Completion Boundary (RCB). Cleared. | RO | Yes | 0 |
| 4 | Link Disable <i>Reserved</i> for the NT Port Virtual Interface. | RsvdP | No | 0 |
| 5 | Retrain Link <i>Reserved</i> for the NT Port Virtual Interface. | RsvdP | No | 0 |
| 6 | Common Clock Configuration The NT Port Virtual Interface ignores this register value, because no external Port connection exists. | RW | Yes | 0 |
| 7 | Extended Sync The NT Port Virtual Interface ignores this register value, because no external Port connection exists. | RW | Yes | 0 |
| 15:8 | <i>Reserved</i> | RsvdP | No | 00h |

Register 14-23. 78h Link Status and Control (Cont.)

| Bit(s) | Description | Type | Serial EEPROM and I ² C | Default |
|--------------------|---|--------|------------------------------------|----------|
| Link Status | | | | |
| 19:16 | <p>Current Link Speed Indicates the negotiated Link speed of the Port's PCI Express Link.</p> <p>0001b = 2.5 GT/s Link speed 0010b = 5.0 GT/s Link speed</p> <p>All other encodings are <i>reserved</i>. The value in this field is undefined when the Link is not up.</p> | RO | No | 0001b |
| 25:20 | <p>Negotiated Link Width Reports the Link status of the NT Port Link Interface. Dependent upon the configuration of the physical Ports. Link width is determined by the negotiated value with the attached Lane/Port.</p> <p>00_0000b = Link is down (default) 00_0001b = x1 or Port is in the <i>DL_Down</i> state 00_0010b = x2 00_0100b = x4 00_1000b = x8</p> <p>All other encodings are <i>not supported</i>.</p> | RO | No | 00_0000b |
| 26 | <p>Training Error <i>Reserved</i> for the NT Port Virtual Interface.</p> | RsvdP | No | 0 |
| 27 | <p>Link Training <i>Reserved</i> for the NT Port Virtual Interface. Always read as 0.</p> | RsvdP | No | 0 |
| 28 | <p>Slot Clock Configuration Because there is no external connection to the NT Port Virtual Interface, this bit is always Cleared, which indicates that the PEX 8624 uses an independent clock.</p> | HwInit | Yes | 0 |
| 31:29 | <i>Reserved</i> | RsvdP | No | 000b |

Register 14-24. 98h Link Status and Control 2

| Bit(s) | Description | Type | Serial EEPROM and I ² C | Default |
|-----------------------|---|-------|------------------------------------|------------------------------|
| Link Control 2 | | | | |
| 3:0 | Target Link Speed 0001b = 2.5 GT/s Link speed supported 0010b = 5.0 GT/s Link speed supported All other encodings are <i>reserved</i> . | RWS | Yes | 0010b |
| 4 | Enter Compliance | RWS | Yes | 0 |
| 5 | Hardware Autonomous Speed Disable <i>Reserved</i> Initial transition to the highest supported common Link speed is not blocked by this bit. | RsvdP | No | 0 |
| 6 | Selectable De-Emphasis <i>Reserved</i> | RsvdP | Yes | 0 |
| 9:7 | Transmit Margin Intended for debug and compliance testing only. | RWS | Yes | 000b |
| 10 | Enter Modified Compliance Intended for debug and compliance testing only. | RWS | Yes | 0 |
| 11 | Compliance SOS 1 = Link Training and Status State Machine (LTSSM) must periodically send SKIP Ordered-Sets between sequences when sending the Compliance Pattern or Modified Compliance Pattern | RWS | Yes | 0 |
| 12 | Compliance De-Emphasis Sets the de-emphasis level in the <i>Polling.Compliance</i> state, if the entry occurred due to bit 4 (<i>Enter Compliance</i>) being Set. | RWS | Yes | 0 |
| 15:13 | <i>Reserved</i> | RsvdP | No | 000b |
| Link Status 2 | | | | |
| 16 | Current De-Emphasis Level Reflects the de-emphasis level. 0 = -6 dB (Link is operating at 5.0 GT/s) 1 = -3.5 dB | RO | Yes | 0 (5.0 GT/s) 1 (2.5 GT/s) |
| 31:17 | <i>Reserved</i> | RsvdP | No | 0-0h |

14.9 NT Port Virtual Interface Subsystem ID and Subsystem Vendor ID Capability Registers (Offsets A4h – C4h)

The registers detailed in [Section 12.10, “Subsystem ID and Subsystem Vendor ID Capability Registers \(Offsets A4h – FCh\),”](#) are also applicable to the NT Port, except as defined in [Table 14-6](#) (register map) and [Register 14-25](#).

Table 14-6. NT Port Virtual Interface Subsystem ID and Subsystem Vendor ID Capability Register Map

| | | | |
|---|---------------------------------------|-----------------------------------|-----------|
| 31 30 29 28 27 26 25 24 23 22 21 20 19 18 17 16 | 15 14 13 12 11 10 9 8 7 6 5 4 3 2 1 0 | | |
| <i>Reserved</i> | Next Capability Pointer (C8h) | SSID/SSVID Capability ID (0Dh) | A4h |
| Subsystem ID | Subsystem Vendor ID | | A8h |
| <i>Reserved</i> | | | ACh – C4h |

Register 14-25. A4h Subsystem Capability

| Bit(s) | Description | Type | Serial EEPROM and I ² C | Default |
|--------|---|-------|------------------------------------|---------|
| 7:0 | SSID/SSVID Capability ID SSID/SSVID registers for the PCI-to-PCI bridge. Program to 0Dh, as required by the <i>PCI-to-PCI Bridge r1.2</i> . | RO | Yes | 0Dh |
| 15:8 | Next Capability Pointer Program to C8h, to point to the Vendor-Specific Capability 3 structure. | RO | Yes | C8h |
| 31:16 | <i>Reserved</i> | RsvdP | No | 0000h |

14.10 NT Port Virtual Interface Vendor-Specific Capability 3 Registers (Offsets C8h – FCh)

This section details the NT Port Virtual Interface Vendor-Specific Capability 3 registers, which include the **Memory BARx Setup** registers and **Configuration Address** and **Data Window** registers. [Table 14-7](#) defines the register map used by the NT Port Virtual Interface.

The **NT Port Virtual Interface BARx Setup** (offsets D0h through E0h) register values are shadowed in the corresponding **NT Port Virtual Interface BARx Setup Shadow** registers (offsets D80h through D90h, respectively). When software writes to an **NT Port Virtual Interface BARx Setup** register, the value is automatically copied to the corresponding **NT Port Virtual Interface BARx Setup (Shadow Copy)** register. If the **NT Port Virtual Interface BARx Setup** registers are programmed by serial EEPROM, the **NT Port Virtual Interface BARx Setup (Shadow Copy)** registers must also be programmed by serial EEPROM, to the same respective register values.

The Cursor Mechanism registers at offsets F8h and FCh provide a means for accessing PCI Express Extended Configuration Space registers (offsets 100h through FFFh) within the NT Port Virtual and Link Interfaces, when only standard PCI Configuration transactions (that do not support the *Extended Register Number* field within the Completion Request Header) are available. The Cursor Mechanism can generally access only those registers that are defined by the *PCI Express Base r2.0*, and not the Device-Specific registers. However, if Port 0 is the NT Port, the Cursor Mechanism in the NT Port Virtual Interface registers can also access the Device-Specific registers.

Table 14-7. NT Port Virtual Interface Vendor-Specific Capability 3 Register Map

| 31 30 29 28 27 26 25 24 23 22 21 20 19 18 17 16 | | | | | | | | | | | | | | | | 15 14 13 12 11 10 9 8 7 6 5 4 3 2 1 0 | | | | | | | | | | | | | | | | | | | | | | | | | | | | | | | | | | | | | | | | | | | | | | | | |
|---|--|--|--|--|--|--|--|--|--|--|--|--|--|--|--|---------------------------------------|--|--|--|--|--|--|--|--|--|--|--|--|--|--|--|---------------------------------|--|--|--|--|--|--|--|--|--|--|--|--|--|--|--|-----------------------|--|--|--|--|--|--|--|--|--|--|--|--|--|--|--|-----|
| <i>Reserved</i> | | | | | | | | | | | | | | | | Vendor-Specific Capability 3 | | | | | | | | | | | | | | | | Next Capability Pointer 3 (00h) | | | | | | | | | | | | | | | | Capability ID 3 (09h) | | | | | | | | | | | | | | | | C8h |
| <i>Vendor-Specific Header 3 (Reserved)</i> | | | | | | | | | | | | | | | | | | | | | | | | | | | | | | | | CCh | | | | | | | | | | | | | | | | | | | | | | | | | | | | | | | | |
| NT Port Virtual Interface BAR0/1 Setup | | | | | | | | | | | | | | | | | | | | | | | | | | | | | | | | D0h | | | | | | | | | | | | | | | | | | | | | | | | | | | | | | | | |
| NT Port Virtual Interface Memory BAR2 Setup | | | | | | | | | | | | | | | | | | | | | | | | | | | | | | | | D4h | | | | | | | | | | | | | | | | | | | | | | | | | | | | | | | | |
| NT Port Virtual Interface Memory BAR2/3 Setup | | | | | | | | | | | | | | | | | | | | | | | | | | | | | | | | D8h | | | | | | | | | | | | | | | | | | | | | | | | | | | | | | | | |
| NT Port Virtual Interface Memory BAR4 Setup | | | | | | | | | | | | | | | | | | | | | | | | | | | | | | | | DCh | | | | | | | | | | | | | | | | | | | | | | | | | | | | | | | | |
| NT Port Virtual Interface Memory BAR4/5 Setup | | | | | | | | | | | | | | | | | | | | | | | | | | | | | | | | E0h | | | | | | | | | | | | | | | | | | | | | | | | | | | | | | | | |
| <i>Reserved</i> | | | | | | | | | | | | | | | | | | | | | | | | | | | | | | | | E4h – | | | | | | | | | | | | | | | | | | | | | | | | | | | | | | | | |
| Configuration Address Window | | | | | | | | | | | | | | | | <i>Reserved</i> | | | | | | | | | | | | | | | | F8h | | | | | | | | | | | | | | | | | | | | | | | | | | | | | | | | |
| Configuration Data Window | | | | | | | | | | | | | | | | | | | | | | | | | | | | | | | | FCh | | | | | | | | | | | | | | | | | | | | | | | | | | | | | | | | |

Register 14-26. C8h Vendor-Specific Capability 3

| Bit(s) | Description | Type | Serial EEPROM and I ² C | Default |
|--------|---|-------|------------------------------------|---------|
| 7:0 | Capability ID 3 | RO | Yes | 09h |
| 15:8 | Next Capability Pointer 3 00h = This capability is the last capability in the Linked List | RO | Yes | 00h |
| 23:16 | Length Number of bytes in this Capability structure. | RO | Yes | 38h |
| 31:24 | <i>Reserved</i> | RsvdP | Yes | 00h |

Register 14-27. CCh Vendor-Specific Header 3

| Bit(s) | Description | Type | Serial EEPROM and I ² C | Default |
|--------|-----------------|------|------------------------------------|------------|
| 31:0 | <i>Reserved</i> | RO | Yes | 0380_0002h |

Register 14-28. D0h NT Port Virtual Interface BAR0/1 Setup

| Bit(s) | Description | Type | Serial EEPROM and I ² C | Default |
|---|--|-------|------------------------------------|---------|
| <i>Note: The NT Port Virtual Interface BAR0/1 Setup (Shadow Copy) register (NT Port Virtual Interface, offset D80h) must be programmed with the same value as this register.</i> | | | | |
| 1:0 | BAR0/1 Enable 00b = Disables Virtual Interface BAR0 and BAR1 01b = <i>Reserved</i> 10b = Enables Virtual Interface BAR0 and disables BAR1 (BAR0 is a 32-bit BAR) 11b = Enables Virtual Interface BAR0 and BAR1 (BAR0/1 is a 64-bit BAR) | RW | Yes | 10b |
| 2 | BAR0 Prefetchable 0 = Non-Prefetchable 1 = Prefetchable | RW | Yes | 0 |
| 31:3 | <i>Reserved</i> | RsvdP | No | 0-0h |

Register 14-29. D4h NT Port Virtual Interface Memory BAR2 Setup

| Bit(s) | Description | Type | Serial EEPROM and I ² C | Default | |
|--|--|---|------------------------------------|---------|---|
| <i>Note: The NT Port Virtual Interface Memory BAR2 Setup (Shadow Copy) register (NT Port Virtual Interface, offset D84h) must be programmed with the same value as this register. This requirement applies only to the NT Port Virtual Interface.</i> | | | | | |
| 0 | Type Selector | RsvdP | No | 0 | |
| 2:1 | BAR2 Type 00b = BAR2 is implemented as a 32-bit Memory BAR 10b = BAR2/3 is implemented as a 64-bit Memory BAR No other encodings are allowed. | RW | Yes | 00b | |
| 3 | Prefetchable 0 = Non-Prefetchable 1 = Prefetchable | RW | Yes | 0 | |
| 19:4 | <i>Reserved</i> | RsvdP | No | 0_000h | |
| 30:20 | BAR2 Size Specifies the Address Range size requested by BAR2 . 0 = Corresponding BAR2 bits are RO bits that always return 0, and Writes are ignored 1 = Corresponding BAR2 bits are RW bits <i>Note: If BAR[30:n] is the Base field (BAR size is 2ⁿ), BAR[30:n] should have all ones (1).</i> | RW | Yes | 0-0h | |
| 31 | BAR2 Enable 0 = BAR2 is disabled, all BAR2 bits read 0 1 = BAR2 is enabled | Field [2:1] (BAR2 Type) = 00b | RW | Yes | 0 |
| | BAR2 Size Included with field [30:20] when this BAR is used as a 64-bit BAR, BAR2/3 . | Field [2:1] (BAR2 Type) = 10b | RW | Yes | 0 |

Register 14-30. D8h NT Port Virtual Interface Memory BAR2/3 Setup

| Bit(s) | Description | Type | Serial EEPROM and I ² C | Default | |
|--|--|---|------------------------------------|---------|--------|
| <i>Note:</i> The NT Port Virtual Interface Memory BAR2/3 Setup (Shadow Copy) register (NT Port Virtual Interface, offset D88h) must be programmed with the same value as this register. This requirement applies only to the NT Port Virtual Interface. | | | | | |
| 0 | Type Selector | RsvdP | No | 0 | |
| 2:1 | BAR3 Type 00b = Selects 32-bit Memory BAR (BAR3) No other encodings are allowed. | RO | No | 00b | |
| 3 | Prefetchable 0 = Non-Prefetchable 1 = Prefetchable | RW | Yes | 0 | |
| 19:4 | Reserved | Offset D4h[2:1] (<i>BAR2 Type</i>) = 00b | RsvdP | No | 0_000h |
| | When BAR2/3 are used as a 64-bit BAR, bits [31:0] (including bits [19:4]) are used as the upper 32 bits. | Offset D4h[2:1] (<i>BAR2 Type</i>) = 10b | RW | Yes | 0_000h |
| 30:20 | BAR3 Size Specifies the Address Range size requested by BAR3 . 0 = Corresponding BAR3 bits are RO bits that always return 0, and Writes are ignored 1 = Corresponding BAR3 bits are RW bits <i>Note:</i> If <i>BAR[30:n]</i> is the Base field (<i>BAR</i> size is 2 ⁿ), <i>BAR[30:n]</i> should have all ones (1). | RW | Yes | 0-0h | |
| 31 | BAR3 Enable 32-Bit BAR: 0 = BAR3 is disabled 1 = BAR3 is enabled as a 32-bit BAR | Offset D4h[2:1] (<i>BAR2 Type</i>) = 00b | RW | Yes | 0 |
| | 64-Bit BAR: 0 = BAR2/3 is disabled, all BAR2/3 bits read 0 1 = BAR2/3 is enabled as a 64-bit BAR | Offset D4h[2:1] (<i>BAR2 Type</i>) = 10b | RW | Yes | 0 |

Register 14-31. DCh NT Port Virtual Interface Memory BAR4 Setup

| Bit(s) | Description | Type | Serial EEPROM and I ² C | Default | |
|--|--|---|------------------------------------|---------|---|
| <p><i>Note:</i> The NT Port Virtual Interface Memory BAR4 Setup (Shadow Copy) register (NT Port Virtual Interface, offset D8Ch) must be programmed with the same value as this register. This requirement applies only to the NT Port Virtual Interface.</p> | | | | | |
| 0 | Type Selector | RsvdP | No | 0 | |
| 2:1 | <p>BAR4 Type 00b = BAR4 is implemented as a 32-bit Memory BAR (BAR4) 10b = BAR4/5 is implemented as a 64-bit Memory BAR (BAR4/5) No other encodings are allowed.</p> | RW | Yes | 00b | |
| 3 | <p>Prefetchable 0 = Non-Prefetchable 1 = Prefetchable</p> | RW | Yes | 0 | |
| 19:4 | <i>Reserved</i> | RsvdP | No | 0_000h | |
| 30:20 | <p>BAR4 Size Specifies the Address Range size requested by BAR4. 0 = Corresponding BAR4 bits are RO bits that always return 0, and Writes are ignored 1 = Corresponding BAR4 bits are RW bits <i>Note:</i> If BAR[30:n] is the Base field (BAR size is 2ⁿ), BAR[30:n] should have all ones (1).</p> | RW | Yes | 0-0h | |
| 31 | <p>BAR4 Enable 0 = BAR4 is disabled, all BAR4 bits read 0 1 = BAR4 is enabled</p> | Field [2:1] (<i>BAR4 Type</i>) = 00b | RW | Yes | 0 |
| | <p>BAR4 Size Included with field [30:20] when this BAR is used as a 64-bit BAR, BAR4/5.</p> | Field [2:1] (<i>BAR4 Type</i>) = 10b | RW | Yes | 0 |

Register 14-32. E0h NT Port Virtual Interface Memory BAR4/5 Setup

| Bit(s) | Description | Type | Serial EEPROM and I ² C | Default | |
|--|--|---|------------------------------------|---------|--------|
| <i>Note: The NT Port Virtual Interface Memory BAR4/5 Setup (Shadow Copy) register (NT Port Virtual Interface, offset D90h) must be programmed with the same value as this register. This requirement applies only to the NT Port Virtual Interface.</i> | | | | | |
| 0 | Type Selector | RsvdP | No | 0 | |
| 2:1 | BAR5 Type 00b = Selects 32-bit Memory BAR (BAR5) No other encodings are allowed. | RO | No | 00b | |
| 3 | Prefetchable 0 = Non-Prefetchable 1 = Prefetchable | RW | Yes | 0 | |
| 19:4 | Reserved | Offset DCh[2:1] (<i>BAR4 Type</i>) = 00b | RsvdP | No | 0_000h |
| | When BAR4/5 are used as a 64-bit BAR, bits [31:0] (including bits [19:4]) are used as the upper 32 bits. | Offset DCh[2:1] (<i>BAR4 Type</i>) = 10b | RW | Yes | 0_000h |
| 30:20 | BAR5 Size Specifies the Address Range size requested by BAR5 . 0 = Corresponding BAR5 bits are RO bits that always return 0, and Writes are ignored 1 = Corresponding BAR5 bits are RW bits <i>Note: If BAR[30:n] is the Base field (BAR size is 2ⁿ), BAR[30:n] should have all ones (1).</i> | RW | Yes | 0-0h | |
| 31 | BAR5 Enable 32-Bit BAR: 0 = BAR5 is disabled 1 = BAR5 is enabled as a 32-bit BAR | Offset DCh[2:1] (<i>BAR4 Type</i>) = 00b | RW | Yes | 0 |
| | 64-Bit BAR: 0 = BAR4/5 is disabled, all BAR4/5 bits read 0 1 = BAR4/5 is enabled as a 64-bit BAR | Offset DCh[2:1] (<i>BAR4 Type</i>) = 10b | RW | Yes | 0 |

Register 14-33. F8h Configuration Address Window (Device-Specific Cursor Mechanism)

| Bit(s) | Description | Type | Serial EEPROM and I ² C | Default |
|--------|--|-------|------------------------------------|---------|
| 15:0 | <i>Reserved</i> | RsvdP | No | 0000h |
| 25:16 | Register Offset | RW | Yes | 0-0h |
| 30:26 | <i>Reserved</i> | RsvdP | No | 0-0h |
| 31 | Interface Select 0 = Access is to the NT Port Link Interface Type 0 Configuration Space register 1 = Access is to the NT Port Virtual Interface Type 0 Configuration Space register | RW | Yes | 0 |

Register 14-34. FCh Configuration Data Window (Device-Specific Cursor Mechanism)

| Bit(s) | Description | Type | Serial EEPROM and I ² C | Default |
|--------|---|------|------------------------------------|------------|
| 31:0 | Register Data Software selects a register by writing into the NT Port Virtual Interface Configuration Address window, then reads from or writes to that register using this register. | RW | Yes | 0000_0000h |

14.11 NT Port Virtual Interface Device Serial Number Extended Capability Registers (Offsets 100h – 134h)

The registers detailed in Section 12.11, “Device Serial Number Extended Capability Registers (Offsets 100h – 134h),” are also applicable to the NT Port. Table 14-8 defines the register map used by all Ports.

Table 14-8. NT Port Virtual Interface Device Serial Number Extended Capability Register Map

| 31 30 29 28 27 26 25 24 23 22 21 20 19 18 17 16 | | | | | | | | | | | | | | | | 15 14 13 12 11 10 9 8 7 6 5 4 3 2 1 0 | | | | | | | | | | | | | | | | | | | | | | | | | | | | | | | | |
|---|--|--|--|--|--|--|--|--|--|--|--|--|--|--|--|---------------------------------------|--|--|--|--|--|--|--|--|--|--|--|--|--|--|--|--|--|--|--|--|--|--|--|--|--|--|--|--|--|--|--|------|
| Next Capability Offset (FB4h) | | | | | | | | | | | | | | | | Capability Version (1h) | | | | | | | | | | | | | | | | PCI Express Extended Capability ID (0003h) | | | | | | | | | | | | | | | | 100h |
| Serial Number (Lower DW) | | | | | | | | | | | | | | | | | | | | | | | | | | | | | | | | 104h | | | | | | | | | | | | | | | | |
| Serial Number (Upper DW) | | | | | | | | | | | | | | | | | | | | | | | | | | | | | | | | 108h | | | | | | | | | | | | | | | | |
| <i>Reserved</i> | | | | | | | | | | | | | | | | | | | | | | | | | | | | | | | | 10Ch – 134h | | | | | | | | | | | | | | | | |

14.12 NT Port Virtual Interface Virtual Channel Extended Capability Registers (Offsets 148h – 1A4h)

The registers detailed in Section 12.13, “Virtual Channel Extended Capability Registers (Offsets 148h – 1BCh),” are also applicable to the NT Port Virtual Interface, except as defined in Table 14-9 (register map), and Register 14-35 through Register 14-39.

Table 14-9. NT Port Virtual Interface Virtual Channel Extended Capability Register Map

| | | | |
|---|---------------------------------------|--|-------------|
| 31 30 29 28 27 26 25 24 23 22 21 20 19 18 17 16 | 15 14 13 12 11 10 9 8 7 6 5 4 3 2 1 0 | | |
| Next Capability Offset (448h or 950h) | Capability Version (1h) | PCI Express Extended Capability ID (0002h) | 148h |
| Port VC Capability 1 | | | 14Ch |
| Port VC Capability 2 | | | 150h |
| Port VC Status (<i>Reserved</i>) | | Port VC Control | 154h |
| VC0 Resource Capability | | | 158h |
| VC0 Resource Control | | | 15Ch |
| VC0 Resource Status | | <i>Reserved</i> | 160h |
| <i>Reserved</i> | | | 164h – 1A4h |

Register 14-35. 148h Virtual Channel Extended Capability Header

| Bit(s) | Description | Type | Serial EEPROM and I ² C | Default |
|--------|---|------|------------------------------------|---------|
| 15:0 | PCI Express Extended Capability ID Program to 0002h, as required by the <i>PCI Express Base r2.0</i> . | RO | No | 0002h |
| 19:16 | Capability Version Program to 1h, as required by the <i>PCI Express Base r2.0</i> . | RO | No | 1h |
| 31:20 | Next Capability Offset Next extended capability is the Vendor-Specific Extended Capability structure, offset 448h. | RO | No | 448h |
| | Next extended capability is the Vendor-Specific Extended Capability 2 structure, offset 950h. | RO | No | 950h |

Register 14-36. 14Ch Port VC Capability 1

| Bit(s) | Description | Type | Serial EEPROM and I ² C | Default | |
|--------|--|-------------------|------------------------------------|---------|-----|
| 0 | Extended VC Counter 0 = PEX 8624 Port supports only one Virtual Channel, VC0 1 = <i>Reserved</i> | RO | No | 0 | |
| 3:1 | <i>Reserved</i> | RsvdP | No | 000b | |
| 4 | Low-Priority Extended VC Counter For Strict Priority arbitration, indicates the number of extended VCs (those in addition to VC0) that belong to the Low-Priority Virtual Channel group for this PEX 8624 Port. 0 = For this PEX 8624 Port, only VC0 belongs to the Low-Priority Virtual Channel group 1 = <i>Reserved</i> , because the PEX 8624 supports only one VC | RO | No | 0 | |
| 7:5 | <i>Reserved</i> | RsvdP | No | 000b | |
| 9:8 | Reference Clock Cleared. | RsvdP | No | 00b | |
| 11:10 | Port Arbitration Table Entry Size 10b = Port Arbitration Table entry size is 4 bits | NT Port is Port 0 | RW | Yes | 10b |
| | 00b = Port Arbitration Table entry size is 1 bit | Otherwise | RO | Yes | 00b |
| 31:12 | <i>Reserved</i> | RsvdP | No | 0000_0h | |

Register 14-37. 158h VC0 Resource Capability

| Bit(s) | Description | Type | Serial EEPROM and I ² C | Default | |
|--------|---|-------------------|------------------------------------|-----------|-----|
| 1:0 | Port Arbitration Capability Bit 0 = 1 – Non-configurable Round-Robin (Hardware-Fixed) arbitration Bit 1 = 1 – Weighted Round-Robin (WRR) arbitration with 32 Phases | NT Port is Port 0 | RO | No | 10b |
| | | Otherwise | RO | No | 01b |
| 14:2 | <i>Reserved</i> | RsvdP | No | 0-0h | |
| 15 | Reject Snoop Transactions Not a PCI Express switch feature; therefore, Cleared. | RsvdP | No | 0 | |
| 22:16 | Maximum Time Slots <i>Not supported</i> | RsvdP | No | 000_0000b | |
| 23 | <i>Reserved</i> | RsvdP | No | 0 | |
| 31:24 | Port Arbitration Table Offset Offset of the Port Arbitration Table, as the number of DQWords from the Base address of the Virtual Channel Extended Capability structure. (Refer to Section 12.13.1, “Port Arbitration Table Registers (Offsets 1A8h – 1BCh),” for further details.) 00h = Port Arbitration Table is not present 06h = Port Arbitration Table is located at register offset 1A8h (148h + 6 x 4 DWords) | NT Port is Port 0 | RO | No | 06h |
| | | Otherwise | RO | No | 00h |

Register 14-38. 15Ch VC0 Resource Control

| Bit(s) | Description | Type | Serial EEPROM and I ² C | Default | |
|--------|---|-------------------|------------------------------------|---------|------|
| 0 | TC/VC Map Defines Traffic Classes [7:0], respectively, and indicates which TCs are mapped into VC0. Traffic Class 0 (TC0) must be mapped to VC0. By default, Traffic Classes [7:1] are mapped to VC0. | RO | No | 1 | |
| 7:1 | | RW | Yes | 7Fh | |
| 15:8 | <i>Reserved</i> | RsvdP | No | 00h | |
| 16 | Load Port Arbitration Table Software writes this bit, to load the updated WRR Port Arbitration Table value to the internal logic. If the Port does not support the WRR Port Arbitration value, hardware ignores the Write to this register. Software Read always returns 0. | RW | Yes | 0 | |
| 19:17 | Port Arbitration Select Selects the Port Arbitration type for the NT Port Virtual Interface. Indicates the bit number in the VC0 Resource Capability register <i>Port Arbitration Capability</i> field (offset 158h[1:0]) that corresponds to the arbitration type. 0 = Round-Robin (Hardware-Fixed) arbitration scheme 1 = Weighted Round-Robin with 32 Phases <i>Note: If software programs other values, hardware ignores the value.</i> | NT Port is Port 0 | RW | Yes | 001b |
| | | Otherwise | RW | Yes | 000b |
| 23:20 | <i>Reserved</i> | RsvdP | No | 0h | |
| 24 | VC ID Defines the NT Port Virtual Interface VC0 ID code. Cleared, because there is only one VC. | RO | No | 0 | |
| 30:25 | <i>Reserved</i> | RsvdP | No | 0-0h | |
| 31 | VC Enable 0 = Not allowed 1 = Enables the NT Port Virtual Interface VC0 | RO | No | 1 | |

Register 14-39. 160h VC0 Resource Status

| Bit(s) | Description | Type | Serial EEPROM and I ² C | Default |
|--------|--|-------|------------------------------------|---------|
| 15:0 | <i>Reserved</i> | RsvdP | No | 0000h |
| 16 | <p>Port Arbitration Table Status</p> <p>0 = Hardware has finished loading values stored in the Port Arbitration Table, after software Sets the VC0 Resource Control register <i>Load Port Arbitration Table</i> bit (offset 15Ch[16])</p> <p>1 = Software updates to WRR Port Arbitration Table are pending update to the functional logic</p> | RO | No | 0 |
| 17 | <p>VC0 Negotiation Pending</p> <p>0 = VC0 negotiation completed (NT Port Virtual Interface Link to the internal virtual PCI Bus is up)</p> <p>1 = VC0 initialization is not complete for the NT Port Virtual Interface</p> | RO | Yes | 0 |
| 31:18 | <i>Reserved</i> | RsvdP | No | 0-0h |

14.13 NT Port Virtual Interface Port Arbitration Table Registers (Offsets 1A8h – 1BCh)

The registers detailed in Section 12.13.1, “Port Arbitration Table Registers (Offsets 1A8h – 1BCh),” are also applicable to the NT Port Virtual Interface if the NT Port is Port 0. Port Arbitration Table phases are used to determine Port weighting during “Weighted Round-Robin with 32 Phases” Port arbitration. Table 14-10 defines the register map used by the NT Port Virtual Interface.

Note: The Port Arbitration Table is used only when Weighted Round-Robin with 32-phase Port Arbitration is selected, by way of the VC0 Resource Control register Port Arbitration Select field (offset 15Ch[19:17]=001b).

Table 14-10. NT Port Virtual Interface Port Arbitration Table Register Map (Only Upstream Port 0, and also NT Port Virtual Interface if Port 0 is the NT Port; Reserved (RsvdP) for All Other Ports)

| | | | | | | | | | | | | | | | | | | | | | | | | | | | | | | | | | | | | | | | | | | | | | | | | | | | | | | | | | | | | | | | | |
|-----------------|----|----|----|----|----|----|----|----------|----|----|----|----|----|----|----|----------|----|----|----|----|----|---|---|----------|---|---|---|---|---|---|---|----------|------|--|--|--|--|--|--|----------|--|--|--|--|--|--|--|----------|--|--|--|--|--|--|--|----------|--|--|--|--|--|--|--|------|
| 31 | 30 | 29 | 28 | 27 | 26 | 25 | 24 | 23 | 22 | 21 | 20 | 19 | 18 | 17 | 16 | 15 | 14 | 13 | 12 | 11 | 10 | 9 | 8 | 7 | 6 | 5 | 4 | 3 | 2 | 1 | 0 | | | | | | | | | | | | | | | | | | | | | | | | | | | | | | | | | |
| Phase 7 | | | | | | | | Phase 6 | | | | | | | | Phase 5 | | | | | | | | Phase 4 | | | | | | | | Phase 3 | | | | | | | | Phase 2 | | | | | | | | Phase 1 | | | | | | | | Phase 0 | | | | | | | | 1A8h |
| Phase 15 | | | | | | | | Phase 14 | | | | | | | | Phase 13 | | | | | | | | Phase 12 | | | | | | | | Phase 11 | | | | | | | | Phase 10 | | | | | | | | Phase 9 | | | | | | | | Phase 8 | | | | | | | | 1ACh |
| Phase 23 | | | | | | | | Phase 22 | | | | | | | | Phase 21 | | | | | | | | Phase 20 | | | | | | | | Phase 19 | | | | | | | | Phase 18 | | | | | | | | Phase 17 | | | | | | | | Phase 16 | | | | | | | | 1B0h |
| Phase 31 | | | | | | | | Phase 30 | | | | | | | | Phase 29 | | | | | | | | Phase 28 | | | | | | | | Phase 27 | | | | | | | | Phase 26 | | | | | | | | Phase 25 | | | | | | | | Phase 24 | | | | | | | | 1B4h |
| <i>Reserved</i> | | | | | | | | | | | | | | | | | | | | | | | | | | | | | | | | 1B8h – | 1BCh | | | | | | | | | | | | | | | | | | | | | | | | | | | | | | | |

**Register 14-40. 1A8h Port Arbitration Table Phases 0 to 7
(Only Upstream Port 0, and also NT Port Virtual Interface
if Port 0 is the NT Port; Reserved (RsvdP) for All Other Ports)**

| Bit(s) | Description | Ports | Type | Serial EEPROM and I ² C | Default |
|--|---------------------------------------|-----------------------------------|-------|------------------------------------|--|
| <i>Note:</i> The fields within this register are valid only on upstream Port 0, when the NT Port is Port 0, and reserved on all other Ports. | | | | | |
| 3:0 | Port Arbitration Table Phase 0 | NT Port is Port 0 (refer to Note) | RW | Yes | Value is based upon Negotiated Link Width and Current Link Speed (offset 78h[25:20 and 19:16], respectively) |
| | <i>Reserved</i> | All other Ports | RsvdP | No | 0h |
| 7:4 | Port Arbitration Table Phase 1 | NT Port is Port 0 (refer to Note) | RW | Yes | Value is based upon Negotiated Link Width and Current Link Speed (offset 78h[25:20 and 19:16], respectively) |
| | <i>Reserved</i> | All other Ports | RsvdP | No | 0h |
| 11:8 | Port Arbitration Table Phase 2 | NT Port is Port 0 (refer to Note) | RW | Yes | Value is based upon Negotiated Link Width and Current Link Speed (offset 78h[25:20 and 19:16], respectively) |
| | <i>Reserved</i> | All other Ports | RsvdP | No | 0h |
| 15:12 | Port Arbitration Table Phase 3 | NT Port is Port 0 (refer to Note) | RW | Yes | Value is based upon Negotiated Link Width and Current Link Speed (offset 78h[25:20 and 19:16], respectively) |
| | <i>Reserved</i> | All other Ports | RsvdP | No | 0h |
| 19:16 | Port Arbitration Table Phase 4 | NT Port is Port 0 (refer to Note) | RW | Yes | Value is based upon Negotiated Link Width and Current Link Speed (offset 78h[25:20 and 19:16], respectively) |
| | <i>Reserved</i> | All other Ports | RsvdP | No | 0h |
| 23:20 | Port Arbitration Table Phase 5 | NT Port is Port 0 (refer to Note) | RW | Yes | Value is based upon Negotiated Link Width and Current Link Speed (offset 78h[25:20 and 19:16], respectively) |
| | <i>Reserved</i> | All other Ports | RsvdP | No | 0h |
| 27:24 | Port Arbitration Table Phase 6 | NT Port is Port 0 (refer to Note) | RW | Yes | Value is based upon Negotiated Link Width and Current Link Speed (offset 78h[25:20 and 19:16], respectively) |
| | <i>Reserved</i> | All other Ports | RsvdP | No | 0h |
| 31:28 | Port Arbitration Table Phase 7 | NT Port is Port 0 (refer to Note) | RW | Yes | Value is based upon Negotiated Link Width and Current Link Speed (offset 78h[25:20 and 19:16], respectively) |
| | <i>Reserved</i> | All other Ports | RsvdP | No | 0h |

**Register 14-41. 1ACh Port Arbitration Table Phases 8 to 15
(Only Upstream Port 0, and also NT Port Virtual Interface
if Port 0 is the NT Port; Reserved (RsvdP) for All Other Ports)**

| Bit(s) | Description | Ports | Type | Serial EEPROM and I ² C | Default |
|--|--|-----------------------------------|-------|------------------------------------|--|
| <i>Note: The fields within this register are valid only on upstream Port 0, when the NT Port is Port 0, and reserved on all other Ports.</i> | | | | | |
| 3:0 | Port Arbitration Table Phase 8 | NT Port is Port 0 (refer to Note) | RW | Yes | Value is based upon Negotiated Link Width and Current Link Speed (offset 78h[25:20 and 19:16], respectively) |
| | <i>Reserved</i> | All other Ports | RsvdP | No | 0h |
| 7:4 | Port Arbitration Table Phase 9 | NT Port is Port 0 (refer to Note) | RW | Yes | Value is based upon Negotiated Link Width and Current Link Speed (offset 78h[25:20 and 19:16], respectively) |
| | <i>Reserved</i> | All other Ports | RsvdP | No | 0h |
| 11:8 | Port Arbitration Table Phase 10 | NT Port is Port 0 (refer to Note) | RW | Yes | Value is based upon Negotiated Link Width and Current Link Speed (offset 78h[25:20 and 19:16], respectively) |
| | <i>Reserved</i> | All other Ports | RsvdP | No | 0h |
| 15:12 | Port Arbitration Table Phase 11 | NT Port is Port 0 (refer to Note) | RW | Yes | Value is based upon Negotiated Link Width and Current Link Speed (offset 78h[25:20 and 19:16], respectively) |
| | <i>Reserved</i> | All other Ports | RsvdP | No | 0h |
| 19:16 | Port Arbitration Table Phase 12 | NT Port is Port 0 (refer to Note) | RW | Yes | Value is based upon Negotiated Link Width and Current Link Speed (offset 78h[25:20 and 19:16], respectively) |
| | <i>Reserved</i> | All other Ports | RsvdP | No | 0h |
| 23:20 | Port Arbitration Table Phase 13 | NT Port is Port 0 (refer to Note) | RW | Yes | Value is based upon Negotiated Link Width and Current Link Speed (offset 78h[25:20 and 19:16], respectively) |
| | <i>Reserved</i> | All other Ports | RsvdP | No | 0h |
| 27:24 | Port Arbitration Table Phase 14 | NT Port is Port 0 (refer to Note) | RW | Yes | Value is based upon Negotiated Link Width and Current Link Speed (offset 78h[25:20 and 19:16], respectively) |
| | <i>Reserved</i> | All other Ports | RsvdP | No | 0h |
| 31:28 | Port Arbitration Table Phase 15 | NT Port is Port 0 (refer to Note) | RW | Yes | Value is based upon Negotiated Link Width and Current Link Speed (offset 78h[25:20 and 19:16], respectively) |
| | <i>Reserved</i> | All other Ports | RsvdP | No | 0h |

**Register 14-42. 1B0h Port Arbitration Table Phases 16 to 23
(Only Upstream Port 0, and also NT Port Virtual Interface
if Port 0 is the NT Port; Reserved (RsvdP) for All Other Ports)**

| Bit(s) | Description | Ports | Type | Serial EEPROM and I ² C | Default |
|--|--|-----------------------------------|-------|------------------------------------|--|
| <i>Note: The fields within this register are valid only on upstream Port 0, when the NT Port is Port 0, and reserved on all other Ports.</i> | | | | | |
| 3:0 | Port Arbitration Table Phase 16 | NT Port is Port 0 (refer to Note) | RW | Yes | Value is based upon Negotiated Link Width and Current Link Speed (offset 78h[25:20 and 19:16], respectively) |
| | <i>Reserved</i> | All other Ports | RsvdP | No | 0h |
| 7:4 | Port Arbitration Table Phase 17 | NT Port is Port 0 (refer to Note) | RW | Yes | Value is based upon Negotiated Link Width and Current Link Speed (offset 78h[25:20 and 19:16], respectively) |
| | <i>Reserved</i> | All other Ports | RsvdP | No | 0h |
| 11:8 | Port Arbitration Table Phase 18 | NT Port is Port 0 (refer to Note) | RW | Yes | Value is based upon Negotiated Link Width and Current Link Speed (offset 78h[25:20 and 19:16], respectively) |
| | <i>Reserved</i> | All other Ports | RsvdP | No | 0h |
| 15:12 | Port Arbitration Table Phase 19 | NT Port is Port 0 (refer to Note) | RW | Yes | Value is based upon Negotiated Link Width and Current Link Speed (offset 78h[25:20 and 19:16], respectively) |
| | <i>Reserved</i> | All other Ports | RsvdP | No | 0h |
| 19:16 | Port Arbitration Table Phase 20 | NT Port is Port 0 (refer to Note) | RW | Yes | Value is based upon Negotiated Link Width and Current Link Speed (offset 78h[25:20 and 19:16], respectively) |
| | <i>Reserved</i> | All other Ports | RsvdP | No | 0h |
| 23:20 | Port Arbitration Table Phase 21 | NT Port is Port 0 (refer to Note) | RW | Yes | Value is based upon Negotiated Link Width and Current Link Speed (offset 78h[25:20 and 19:16], respectively) |
| | <i>Reserved</i> | All other Ports | RsvdP | No | 0h |
| 27:24 | Port Arbitration Table Phase 22 | NT Port is Port 0 (refer to Note) | RW | Yes | Value is based upon Negotiated Link Width and Current Link Speed (offset 78h[25:20 and 19:16], respectively) |
| | <i>Reserved</i> | All other Ports | RsvdP | No | 0h |
| 31:28 | Port Arbitration Table Phase 23 | NT Port is Port 0 (refer to Note) | RW | Yes | Value is based upon Negotiated Link Width and Current Link Speed (offset 78h[25:20 and 19:16], respectively) |
| | <i>Reserved</i> | All other Ports | RsvdP | No | 0h |

**Register 14-43. 1B4h Port Arbitration Table Phases 24 to 31
(Only Upstream Port 0, and also NT Port Virtual Interface
if Port 0 is the NT Port; Reserved (RsvdP) for All Other Ports)**

| Bit(s) | Description | Ports | Type | Serial EEPROM and I ² C | Default |
|--|--|-----------------------------------|-------|------------------------------------|--|
| <i>Note: The fields within this register are valid only on upstream Port 0, when the NT Port is Port 0, and reserved on all other Ports.</i> | | | | | |
| 3:0 | Port Arbitration Table Phase 24 | NT Port is Port 0 (refer to Note) | RW | Yes | Value is based upon Negotiated Link Width and Current Link Speed (offset 78h[25:20 and 19:16], respectively) |
| | <i>Reserved</i> | All other Ports | RsvdP | No | 0h |
| 7:4 | Port Arbitration Table Phase 25 | NT Port is Port 0 (refer to Note) | RW | Yes | Value is based upon Negotiated Link Width and Current Link Speed (offset 78h[25:20 and 19:16], respectively) |
| | <i>Reserved</i> | All other Ports | RsvdP | No | 0h |
| 11:8 | Port Arbitration Table Phase 26 | NT Port is Port 0 (refer to Note) | RW | Yes | Value is based upon Negotiated Link Width and Current Link Speed (offset 78h[25:20 and 19:16], respectively) |
| | <i>Reserved</i> | All other Ports | RsvdP | No | 0h |
| 15:12 | Port Arbitration Table Phase 27 | NT Port is Port 0 (refer to Note) | RW | Yes | Value is based upon Negotiated Link Width and Current Link Speed (offset 78h[25:20 and 19:16], respectively) |
| | <i>Reserved</i> | All other Ports | RsvdP | No | 0h |
| 19:16 | Port Arbitration Table Phase 28 | NT Port is Port 0 (refer to Note) | RW | Yes | Value is based upon Negotiated Link Width and Current Link Speed (offset 78h[25:20 and 19:16], respectively) |
| | <i>Reserved</i> | All other Ports | RsvdP | No | 0h |
| 23:20 | Port Arbitration Table Phase 29 | NT Port is Port 0 (refer to Note) | RW | Yes | Value is based upon Negotiated Link Width and Current Link Speed (offset 78h[25:20 and 19:16], respectively) |
| | <i>Reserved</i> | All other Ports | RsvdP | No | 0h |
| 27:24 | Port Arbitration Table Phase 30 | NT Port is Port 0 (refer to Note) | RW | Yes | Value is based upon Negotiated Link Width and Current Link Speed (offset 78h[25:20 and 19:16], respectively) |
| | <i>Reserved</i> | All other Ports | RsvdP | No | 0h |
| 31:28 | Port Arbitration Table Phase 31 | NT Port is Port 0 (refer to Note) | RW | Yes | Value is based upon Negotiated Link Width and Current Link Speed (offset 78h[25:20 and 19:16], respectively) |
| | <i>Reserved</i> | All other Ports | RsvdP | No | 0h |

14.14 NT Port Virtual Interface Device-Specific Registers (Offsets 1C0h – C88h)

The registers detailed in Section 12.14, “Device-Specific Registers (Offsets 1C0h – 51Ch),” and Section 12.16, “Device-Specific Registers (Offsets 54Ch – F8Ch)” (for offsets A00h through C88h), are unique to the PEX 8624 and not referenced in the *PCI Express Base r2.0*. These registers are also applicable to the NT Port Virtual Interface, except as defined in Table 14-11 (register map) through Table 14-15, and Register 14-45 through Register 14-72.

Other NT Port Virtual Interface Device-Specific registers are detailed in:

- Section 14.16, “NT Port Virtual Interface Device-Specific Registers (Offsets F34h – F8Ch)”
- Section 14.18, “NT Port Virtual Interface Device-Specific Registers – Link Error (Offsets FE0h – FFCh)”

Note: It is recommended that these registers not be changed from their default values.

Table 14-11. NT Port Virtual Interface Device-Specific Register Map (Offsets 1C0h – C88h)

| 31 30 29 28 27 26 25 24 23 22 21 20 19 18 17 16 | 15 14 13 12 11 10 9 8 7 6 5 4 3 2 1 0 | |
|--|---------------------------------------|---------------------|
| NT Port Virtual Interface Device-Specific Registers – Error Checking and Debug (Offsets 1C0h – 1FCh) | | 1C0h ... 1FCh |
| Device-Specific Registers – Physical Layer (Offsets 200h – 25Ch) | | 200h ... 25Ch |
| Device-Specific Registers – Serial EEPROM (Offsets 260h – 26Ch) | | 260h ... 26Ch |
| Device-Specific Registers – Physical Layer (Offsets 270h – 28Ch) | | 270h ... 28Ch |
| Device-Specific Registers – I2C Slave Interface (Offsets 290h – 2C4h) | | 290h ... 2C4h |
| Device-Specific Registers – Bus Number CAM (Offsets 2C8h – 304h) | | 2C8h ... 304h |
| Device-Specific Registers – I/O CAM (Offsets 308h – 344h) | | 308h ... 344h |
| Device-Specific Registers – Address-Mapping CAM (Offsets 348h – 444h) | | 348h ... 444h |

Table 14-11. NT Port Virtual Interface Device-Specific Register Map (Offsets 1C0h – C88h) (Cont.)

| 31 30 29 28 27 26 25 24 23 22 21 20 19 18 17 16 | 15 14 13 12 11 10 9 8 7 6 5 4 3 2 1 0 | | |
|---|---------------------------------------|----|--|
| Next Capability Offset (950h) | | 1h | PCI Express Extended Capability ID (000Bh) |
| Device-Specific Registers – Vendor-Specific Dual Cast Extended Capability (Offsets 448h – 51Ch) | | | 448h ... 51Ch |
| <i>Reserved</i> | | | 520h – 570h |
| Device-Specific Registers – Port Configuration (Offsets 574h – 628h) | | | 574h ... 628h |
| Device-Specific Registers – General-Purpose Input/Output (Offsets 62Ch – 65Ch) | | | 62Ch ... 65Ch |
| NT Port Virtual Interface Device-Specific Registers – Ingress Control and Port Enable (Offsets 660h – 67Ch) | | | 660h ... 67Ch |
| Device-Specific Registers – IOCAM Base and Limit Upper 16 Bits (Offsets 680h – 6BCh) | | | 680h ... 6BCh |
| Device-Specific Registers – Base Address Shadow (Offsets 6C0h – 73Ch) | | | 6C0h ... 73Ch |
| Device-Specific Registers – Virtual Channel Resource Control Shadow (Offsets 740h – 83Ch) | | | 740h ... 83Ch |
| <i>Reserved</i> | | | 840h – 93Ch |
| Device-Specific Registers – Ingress Credit Handler Port Pool (Offsets 940h – 94Ch) | | | 940h ... 94Ch |
| Next Capability Offset 2 (C34h) | | 1h | PCI Express Extended Capability ID 2 (000Bh) |
| NT Port Virtual Interface Device-Specific Registers – Vendor-Specific Extended Capability 2 (Offsets 950h – 95Ch) | | | 950h ... 95Ch |
| <i>Factory Test Only</i> | | | 960h – 97Ch |
| <i>Reserved</i> | | | 980h – 9FCh |

Table 14-11. NT Port Virtual Interface Device-Specific Register Map (Offsets 1C0h – C88h) (Cont.)

| | | | | | | | | | | | | | | | | | | | | | | | | | | | | | | | | |
|---|--|--|--|--|--|--|--|--|--|--|--|--|--|--|--|---------------------------------------|--|--|--|--|--|--|--|--|--|--|--|--|--|--------|--|------|
| 31 30 29 28 27 26 25 24 23 22 21 20 19 18 17 16 | | | | | | | | | | | | | | | | 15 14 13 12 11 10 9 8 7 6 5 4 3 2 1 0 | | | | | | | | | | | | | | | | |
| Device-Specific Registers – Ingress Credit Handler Threshold (Offsets A00h – B7Ch) | | | | | | | | | | | | | | | | | | | | | | | | | | | | | | | | A00h |
| | | | | | | | | | | | | | | | | | | | | | | | | | | | | | | | | ... |
| | | | | | | | | | | | | | | | | | | | | | | | | | | | | | | | | B7Ch |
| Device-Specific Registers – SerDes Support (Offsets B80h – BFCh) | | | | | | | | | | | | | | | | | | | | | | | | | | | | | | | | B80h |
| | | | | | | | | | | | | | | | | | | | | | | | | | | | | | | | | ... |
| | | | | | | | | | | | | | | | | | | | | | | | | | | | | | | | | BFCh |
| <i>Reserved</i> | | | | | | | | | | | | | | | | | | | | | | | | | | | | | | C00h – | | C30h |
| Next Capability Offset 4 (000h) | | | | | | | | | | | | | | | | 1h | | | | | | | | PCI Express Extended Capability ID 4 (000Bh) | | | | | | | | C34h |
| NT Port Virtual Interface Device-Specific Registers – Vendor-Specific Extended Capability 4 (Offsets C34h – C88h) | | | | | | | | | | | | | | | | | | | | | | | | | | | | | | | | ... |
| | | | | | | | | | | | | | | | | | | | | | | | | | | | | | | | | C88h |

14.14.1 NT Port Virtual Interface Device-Specific Registers – Error Checking and Debug (Offsets 1C0h – 1FCh)

The registers detailed in Section 12.14.1, “Device-Specific Registers – Error Checking and Debug (Offsets 1C0h – 1FCh),” are also applicable to the NT Port Virtual Interface, except as defined in Table 14-12 (register map), and Register 14-44 through Register 14-47.

Table 14-12. NT Port Virtual Interface Device-Specific Error Checking and Debug Register Map (Ports^a)

| 31 30 29 28 27 26 25 24 23 22 21 20 19 18 17 16 | 15 14 13 12 11 10 9 8 7 6 5 4 3 2 1 0 | |
|--|---------------------------------------|------|
| Device-Specific Error Status for Egress ECC Error | | 1C0h |
| Device-Specific Error Mask for Egress ECC Error | | 1C4h |
| ECC Error Check Disable | | 1C8h |
| Error Handler 32-Bit Error Status (<i>Factory Test Only</i>) | | 1CCh |
| Error Handler 32-Bit Error Mask (<i>Factory Test Only</i>) | | 1D0h |
| <i>Factory Test Only</i> | | 1D4h |
| Clock Enable | | 1D8h |
| Debug Control | <i>Factory Test Only/Reserved</i> | 1DCh |
| Power Management Hot Plug User Configuration | | 1E0h |
| <i>Factory Test Only</i> | | 1E4h |
| Bad TLP Counter | | 1E8h |
| Bad DLLP Counter | | 1ECh |
| <i>Reserved</i> | | 1F0h |
| Station 0/1 Lane Status | | 1F4h |
| ACK Transmission Latency Limit | | 1F8h |
| <i>Factory Test Only</i> | | 1FCh |

a. Certain registers are Port-specific, others are Station-specific or Chip-specific; all are device-specific.

Register 14-44. 1E0h Power Management Hot Plug User Configuration

| Bit(s) | Description | Type | Serial EEPROM and I ² C | Default |
|--------|--|-------|------------------------------------|---------|
| 0 | L0s Entry Idle Counter Traffic Idle time to meet, to enter the L0s Link PM state. 0 = Idle condition must last 1 μ s 1 = Idle condition must last 4 μ s | RW | Yes | 0 |
| 1 | Factory Test Only | RW | Yes | 0 |
| 2 | NT Virtual MPS CSR Select NT Port Virtual Interface Maximum Payload Size register select. 0 = NT Port Virtual Interface uses the NT Port Link Interface's Maximum Payload Size (offset 70h[7:5]) 1 = NT Port Virtual Interface uses its own Maximum Payload Size (offset 70h[7:5]) | RW | Yes | 0 |
| 7:3 | Factory Test Only | RW | Yes | 0-0h |
| 8 | DLLP Timeout Link Retrain Disable Disable Link retraining when no Data Link Layer Packets (DLLPs) are received for more than 256 μ s. 0 = Enables Link retraining when no DLLPs are received for more than 256 μ s (default) 1 = DLLP Timeout is disabled | RW | Yes | 0 |
| 9 | Factory Test Only | RW | Yes | 0 |
| 10 | L0s Entry Disable 0 = Enables entry into the L0s Link PM state on a Port when the L0s idle conditions are met 1 = Disables entry into the L0s Link PM state on a Port when the L0s idle conditions are met | RW | Yes | 0 |
| 16:11 | Reserved | RsvdP | No | 0-0h |
| 17 | 40-Pin I/O Expander Enable 0 = Enables 16-pin I/O Expanders for all downstream Ports that implement Serial Hot Plug 1 = Enables 40-pin I/O Expanders for all downstream Ports that implement Serial Hot Plug Note: Value of 1 can be enabled only by serial EEPROM (that is, it cannot be enabled by software nor by I ² C). | RW | Yes (See Note) | 0 |
| 31:18 | Reserved | RsvdP | No | 0-0h |

Register 14-45. 1E8h Bad TLP Counter

| Bit(s) | Description | Type | Serial EEPROM and I ² C | Default |
|--------|---|------|------------------------------------|------------|
| 31:0 | <p>Bad TLP Counter</p> <p>Value reflects errors detected on the NT Port Link Interface.</p> <p>Counts the number of TLPs received with bad Link Cyclic Redundancy Check (LCRC), or number of TLPs with a Sequence Number Mismatch error. The Counter saturates at FFFF_FFFFh and does not roll over to 0000_0000h.</p> | RWS | Yes | 0000_0000h |

Register 14-46. 1ECh Bad DLLP Counter

| Bit(s) | Description | Type | Serial EEPROM and I ² C | Default |
|--------|---|------|------------------------------------|------------|
| 31:0 | <p>Bad DLLP Counter</p> <p>Value reflects errors detected on the NT Port Link Interface.</p> <p>Counts the number of DLLPs received with bad LCRC, or number of Data Link Layer Packets (DLLPs) with a Sequence Number Mismatch error. The Counter saturates at FFFF_FFFFh and does not roll over to 0000_0000h.</p> | RWS | Yes | 0000_0000h |

Register 14-47. 1F8h ACK Transmission Latency Limit

| Bit(s) | Description | Type | Serial EEPROM and I ² C | Default |
|--|--|-------|------------------------------------|---------|
| The value of this register should be valid after Link negotiation. | | | | |
| 11:0 | <p>ACK Transmission Latency Limit</p> <p>Acknowledge Control Packet (ACK) Transmission Latency Limit.</p> <p>The value of this field changes, based upon the NT Port's Link width and Device Control register <i>Maximum Payload Size</i> field (offset 70h[7:5]) value.</p> | RWS | Yes | 0EDh |
| 15:12 | <i>Reserved</i> | RsvdP | No | 0h |
| 23:16 | <p>Upper 8 Bits of the Replay Timer Limit</p> <p>The value in this register is a multiplier of the default internal timer values that are compliant to the <i>PCI Express Base r2.0</i>. These bits should normally remain the default value, 00h.</p> | RWS | Yes | 00h |
| 30:24 | <i>Reserved</i> | RsvdP | No | 0-0h |
| 31 | <p>ACK Transmission Latency Timer Status</p> <p>Indicates the written status of field [11:0] (<i>ACK Transmission Latency Limit</i>).</p> <p>After the register is written, either by software and/or serial EEPROM, this bit is Set, and Cleared only by a Fundamental Reset.</p> | RO | No | 0 |

14.14.2 NT Port Virtual Interface Device-Specific Registers – Ingress Control and Port Enable (Offsets 660h – 67Ch)

The registers detailed in Section 12.16.3, “Device-Specific Registers – Ingress Control and Port Enable (Offsets 660h – 67Ch),” are also applicable to the NT Port Virtual Interface, except as defined in Table 14-13 (register map; offset 678h is *reserved*), and Register 14-48 and Register 14-49.

Table 14-13. NT Port Virtual Interface Device-Specific Ingress Control and Port Enable Register Map

| 31 | 30 | 29 | 28 | 27 | 26 | 25 | 24 | 23 | 22 | 21 | 20 | 19 | 18 | 17 | 16 | 15 | 14 | 13 | 12 | 11 | 10 | 9 | 8 | 7 | 6 | 5 | 4 | 3 | 2 | 1 | 0 |
|--|----|----|----|----|----|----|----|----|----|--------------------------|----|----|----|----|----|--------------------------------------|----|----|----|----|----|------|---|---|---|---|---|-------------|---|---|---|
| Ingress Control | | | | | | | | | | | | | | | | | | | | | | | | | | | | 660h | | | |
| Ingress Control Shadow | | | | | | | | | | | | | | | | | | | | | | | | | | | | 664h | | | |
| Port Enable Status | | | | | | | | | | | | | | | | | | | | | | | | | | | | 668h | | | |
| Negotiated Link Width for Ports 0, 1, 5, 6 | | | | | | | | | | | | | | | | | | | | | | | | | | | | 66Ch | | | |
| <i>Reserved</i> | | | | | | | | | | <i>Factory Test Only</i> | | | | | | Negotiated Link Width for Ports 8, 9 | | | | | | 670h | | | | | | | | | |
| Port Cut-Thru Enable Status | | | | | | | | | | | | | | | | | | | | | | | | | | | | 674h | | | |
| <i>Reserved</i> | | | | | | | | | | | | | | | | | | | | | | | | | | | | 678h – 67Ch | | | |

Register 14-48. 660h Ingress Control (Only Ports 0, 4, and 8, except if Port 0 is the NT Port, then NT Port Virtual Interface (containing the Station 0 value), and Ports 4 and 8)

| Bit(s) | Description | Type | Serial EEPROM and I ² C | Default |
|--------|---|------|------------------------------------|---------|
| 25:0 | <i>Factory Test Only</i> | RWS | Yes | 0-0h |
| 26 | Disable Upstream Port BAR0 and BAR1 0 = Enables the upstream Port Base Address 0 and Base Address 1 registers (BAR0 and BAR1 , offsets 10h and 14h, respectively) 1 = Disables the upstream Port Base Address 0 and Base Address 1 registers (BAR0 and BAR1 , offsets 10h and 14h, respectively) | RWS | Yes | 0 |
| 27 | <i>Not used</i> | RWS | Yes | 0 |
| 28 | Disable VGA BIOS Memory Access Decoding 0 = Enables the Bridge Control register <i>VGA 16-Bit Decode Enable</i> , <i>VGA Enable</i> , and <i>ISA Enable</i> bits (offset 3Ch[20:18], respectively), and enables decoding of the PC ROM shadow addresses C_0000h to C_FFFFh (packets destined to these addresses are blocked) 1 = Disables the Bridge Control register <i>VGA 16-Bit Decode Enable</i> , <i>VGA Enable</i> , and <i>ISA Enable</i> bits (offset 3Ch[20:18], respectively), and disables decoding of the PC ROM shadow addresses C_0000h to C_FFFFh (packets destined to these addresses are <i>not</i> blocked) | RWS | Yes | 0 |
| 30:29 | <i>Factory Test Only</i> | RWS | Yes | 00b |
| 31 | <i>Not used</i> | RWS | Yes | 0 |

Register 14-49. 664h Ingress Control Shadow
(Only Ports 0, 4, and 8, except if Port 0 is the NT Port, then NT Port Virtual Interface
(containing the Station 0 value), and Ports 4 and 8)

| Bit(s) | Description | Type | Serial EEPROM and I ² C | Default |
|--------|--|------|------------------------------------|---------|
| 0 | <i>Factory Test Only</i> | RWS | Yes | 0 |
| 1 | <p>Use Serial EEPROM Values for Ingress Credit Initialization Allow Configuration with a Device Number that is not 0, that is accessing downstream devices, to be forwarded. When the Device Number is 0, the Configuration terminates in a UR.</p> <p>0 = Use default values for ingress credit initialization 1 = Use serial EEPROM values for ingress credit initialization</p> | RWS | Yes | 0 |
| 3:2 | <i>Factory Test Only</i> | RWS | Yes | 00b |
| 4 | <p>Drop EP TLPs Drop Endpoint TLPs.</p> <p>1 = Endpoint TLP was dropped</p> | RWS | Yes | 0 |
| 5 | <p>No Special Treatment for Relaxed Ordering Traffic The PEX 8624 supports Relaxed Ordering for Completions. By default, if the RO attribute is Set within a Completion, then that Completion can bypass Posted transactions, if Posted TLPs are blocked at the egress Port (due to insufficient Posted credits from the connected device). This behavior can be disabled by Setting this bit, in each Station.</p> <p>1 = Device-Specific Relaxed Ordering Completion will not be flagged to the Egress block</p> | RWS | Yes | 0 |
| 7:6 | <i>Factory Test Only</i> | RWS | Yes | 00b |
| 8 | <p>Drop ECRC TLPs Drop End-to-end Cyclic Redundancy Check (ECRC) TLPs.</p> <p>1 = ECRC TLP was dropped</p> | RWS | Yes | 0 |
| 10:9 | <p>ACK TLP Counter Timeout Sets the number of ingress TLP Acknowledgements (ACKs) pending, which causes a high-priority ACK to be sent.</p> <p>00b = 16 TLPs 01b = 8 TLPs 10b = 4 TLPs 11b = Feature is disabled</p> | RWS | Yes | 00b |
| 31:11 | <i>Factory Test Only</i> | RWS | Yes | 0-0h |

14.14.3 NT Port Virtual Interface Device-Specific Registers – Vendor-Specific Extended Capability 2 (Offsets 950h – 95Ch)

The registers detailed in Section 12.16.8, “Device-Specific Registers – Vendor-Specific Extended Capability 2 (Offsets 950h – 95Ch),” are also applicable to the NT Port, except for the Next Capability Offset value, as defined in Table 14-14 (register map) and Register 14-50.

Table 14-14. NT Port Virtual Interface Device-Specific, Vendor-Specific Extended Capability 2 Register Map

| 31 30 29 28 27 26 25 24 23 22 21 20 19 18 17 16 | | | | | | | | | | | | | | | | 15 14 13 12 11 10 9 8 7 6 5 4 3 2 1 0 | | | | | | | | | | | | | | | | | | | | |
|---|--|--|--|--|--|--|--|--|--|--|--|--|--|--|--|---------------------------------------|--|--|--|--|--|--|--|---------------------------|--|--|--|--|--|--|--|------|--|--|--|------|
| Next Capability Offset 2 (C34h) | | | | | | | | | | | | | | | | Capability Version 2 (1h) | | | | PCI Express Extended Capability ID 2 (000Bh) | | | | | | | | | | | | | | | | 950h |
| Vendor-Specific Header 2 | | | | | | | | | | | | | | | | | | | | | | | | | | | | | | | | 954h | | | | |
| Hardwired Device ID | | | | | | | | | | | | | | | | Hardwired Vendor ID | | | | | | | | | | | | | | | | 958h | | | | |
| Reserved | | | | | | | | | | | | | | | | | | | | | | | | PLX Hardwired Revision ID | | | | | | | | 95Ch | | | | |

Register 14-50. 950h Vendor-Specific Extended Capability 2

| Bit(s) | Description | Type | Serial EEPROM and I ² C | Default |
|--------|--|------|------------------------------------|---------|
| 15:0 | PCI Express Extended Capability ID 2 Program to 000Bh, indicating that the Capability structure is the Vendor-Specific Extended Capability structure. | RO | Yes | 000Bh |
| 19:16 | Capability Version 2 | RO | Yes | 1h |
| 31:20 | Next Capability Offset 2 Program to C34h, which addresses the Vendor-Specific Extended Capability 4 structure. | RO | Yes | C34h |

14.14.4 NT Port Virtual Interface Device-Specific Registers – Vendor-Specific Extended Capability 4 (Offsets C34h – C88h)

This section details the NT Port Virtual Interface Device-Specific, Vendor-Specific Extended Capability 4 registers, which include the **Memory BARx Address Translation**, **Doorbell**, and **Scratchpad** registers. Table 14-15 defines the register map used by the NT Port Virtual Interface.

Table 14-15. NT Port Virtual Interface Device-Specific, Vendor-Specific Extended Capability 4 Register Map

| 31 30 29 28 27 26 25 24 23 22 21 20 19 18 17 16 | | | | | | | | | | | | | | | | 15 14 13 12 11 10 9 8 7 6 5 4 3 2 1 0 | | | | | | | | | | | | | | | | | | |
|---|--|--|--|--|--|--|--|--|--|--|--|--|--|--|--|---------------------------------------|--|--|--|--|--|--|--|--|--|--|--|--|--|--|--|------|--|--|
| Next Capability Offset 4 (000h) | | | | | | | | | | | | | | | | Capability Version 4 (1h) | | PCI Express Extended Capability ID 4 (000Bh) | | | | | | | | | | | | | | | | |
| Vendor-Specific Header 4 | | | | | | | | | | | | | | | | | | | | | | | | | | | | | | | | C34h | | |
| Memory BAR2 Address Translation Lower | | | | | | | | | | | | | | | | | | | | | | | | | | | | | | | | C3Ch | | |
| Memory BAR3 Address Translation Upper | | | | | | | | | | | | | | | | | | | | | | | | | | | | | | | | C40h | | |
| Memory BAR4 Address Translation Lower | | | | | | | | | | | | | | | | | | | | | | | | | | | | | | | | C44h | | |
| Memory BAR5 Address Translation Upper | | | | | | | | | | | | | | | | | | | | | | | | | | | | | | | | C48h | | |
| <i>Reserved</i> | | | | | | | | | | | | | | | | Virtual Interface IRQ Set | | | | | | | | | | | | | | | | C4Ch | | |
| <i>Reserved</i> | | | | | | | | | | | | | | | | Virtual Interface IRQ Clear | | | | | | | | | | | | | | | | C50h | | |
| <i>Reserved</i> | | | | | | | | | | | | | | | | Virtual Interface IRQ Mask Set | | | | | | | | | | | | | | | | C54h | | |
| <i>Reserved</i> | | | | | | | | | | | | | | | | Virtual Interface IRQ Mask Clear | | | | | | | | | | | | | | | | C58h | | |
| <i>Reserved</i> | | | | | | | | | | | | | | | | Link Interface IRQ Set | | | | | | | | | | | | | | | | C5Ch | | |
| <i>Reserved</i> | | | | | | | | | | | | | | | | Link Interface IRQ Clear | | | | | | | | | | | | | | | | C60h | | |
| <i>Reserved</i> | | | | | | | | | | | | | | | | Link Interface IRQ Mask Set | | | | | | | | | | | | | | | | C64h | | |
| <i>Reserved</i> | | | | | | | | | | | | | | | | Link Interface IRQ Mask Clear | | | | | | | | | | | | | | | | C68h | | |
| NT Port SCRATCH0 | | | | | | | | | | | | | | | | | | | | | | | | | | | | | | | | C6Ch | | |
| NT Port SCRATCH1 | | | | | | | | | | | | | | | | | | | | | | | | | | | | | | | | C70h | | |
| NT Port SCRATCH2 | | | | | | | | | | | | | | | | | | | | | | | | | | | | | | | | C74h | | |
| NT Port SCRATCH3 | | | | | | | | | | | | | | | | | | | | | | | | | | | | | | | | C78h | | |
| NT Port SCRATCH4 | | | | | | | | | | | | | | | | | | | | | | | | | | | | | | | | C7Ch | | |
| NT Port SCRATCH5 | | | | | | | | | | | | | | | | | | | | | | | | | | | | | | | | C80h | | |
| NT Port SCRATCH6 | | | | | | | | | | | | | | | | | | | | | | | | | | | | | | | | C84h | | |
| NT Port SCRATCH7 | | | | | | | | | | | | | | | | | | | | | | | | | | | | | | | | C88h | | |

Register 14-51. C34h Vendor-Specific Extended Capability 4

| Bit(s) | Description | Type | Serial EEPROM and I ² C | Default |
|--------|--|------|------------------------------------|---------|
| 15:0 | PCI Express Extended Capability ID 4 Program to 000Bh, indicating that the Capability structure is the Vendor-Specific Extended Capability structure. | RO | Yes | 000Bh |
| 19:16 | Capability Version 4 | RO | Yes | 1h |
| 31:20 | Next Capability Offset 4 000h = This extended capability is the last capability in the PEX 8624 Extended Capabilities list | RO | Yes | 000h |

Register 14-52. C38h Vendor-Specific Header 4

| Bit(s) | Description | Type | Serial EEPROM and I ² C | Default |
|--------|---|------|------------------------------------|---------|
| 15:0 | Vendor-Specific ID 4 ID Number of this Extended Capability structure. | RO | Yes | 0003h |
| 19:16 | Vendor-Specific Rev 4 Version Number of this structure . | RO | Yes | 0h |
| 31:20 | Vendor-Specific Length 4 Number of bytes in the entire structure . | RO | Yes | 078h |

Register 14-53. C3Ch Memory BAR2 Address Translation Lower

| Bit(s) | Description | Type | Serial EEPROM and I ² C | Default |
|--------|---|-------|------------------------------------|---------|
| 19:0 | <i>Reserved</i> | RsvdP | No | 0_0000h |
| 31:20 | NT Port Virtual-to-Link Interface BAR2 Base Translation Address NT Port Virtual-to-Link Interface Base Translation address when BAR2 is enabled (NT Port Virtual Interface Memory BAR2 Setup register <i>BAR2 Enable</i> bit, offset D4h[31], is Set). | RW | Yes | 000h |

Register 14-54. C40h Memory BAR3 Address Translation Upper

| Bit(s) | Description | Type | Serial EEPROM and I ² C | Default | |
|--------|---|------------------|------------------------------------|---------|---------|
| 19:0 | <i>Reserved</i> | Offset D8h[31]=0 | RsvdP | No | 0_0000h |
| | When BAR2/3 are used as a 64-bit BAR, bits [31:0] (including bits [19:0]) are used as the upper 32 bits. | Offset D8h[31]=1 | RW | Yes | 0_0000h |
| 31:20 | NT Port Virtual-to-Link Interface BAR3 Base Translation Address NT Port Virtual-to-Link Interface Base Translation address when BAR3 is enabled (NT Port Virtual Interface Memory BAR2/3 Setup register <i>BAR3 Enable</i> bit, offset D8h[31], is Set). | RW | Yes | 000h | |

Register 14-55. C44h Memory BAR4 Address Translation Lower

| Bit(s) | Description | Type | Serial EEPROM and I ² C | Default |
|--------|---|-------|------------------------------------|---------|
| 19:0 | <i>Reserved</i> | RsvdP | No | 0_0000h |
| 31:20 | NT Port Virtual-to-Link Interface BAR4 Base Translation Address NT Port Virtual-to-Link Interface Base Translation address when BAR4 is enabled (NT Port Virtual Interface Memory BAR4 Setup register <i>BAR4 Enable</i> bit, offset DCh[31], is Set). | RW | Yes | 000h |

Register 14-56. C48h Memory BAR5 Address Translation Upper

| Bit(s) | Description | Type | Serial EEPROM and I ² C | Default | |
|--------|---|------------------|------------------------------------|---------|---------|
| 19:0 | <i>Reserved</i> | Offset E0h[31]=0 | RsvdP | No | 0_0000h |
| | When BAR4/5 are used as a 64-bit BAR, bits [31:0] (including bits [19:0]) are used as the upper 32 bits. | Offset E0h[31]=1 | RW | Yes | 0_0000h |
| 31:20 | NT Port Virtual-to-Link Interface BAR5 Base Translation Address NT Port Virtual-to-Link Interface Base Translation address when BAR5 is enabled (NT Port Virtual Interface Memory BAR4/5 Setup register <i>BAR5 Enable</i> bit, offset E0h[31], is Set). | RW | Yes | 000h | |

Register 14-57. C4Ch Virtual Interface IRQ Set

| Bit(s) | Description | Type | Serial EEPROM and I ² C | Default |
|---|--|-------|------------------------------------|---------|
| <i>Note:</i> The bits in this register can be masked by their respective Virtual Interface IRQ Mask Set register bits (offset C54h). | | | | |
| 15:0 | <p>SET_IRQ</p> <p>Set Virtual IRQ. Controls the state of the Virtual Interface Doorbell Interrupt Request. Reading returns the status of the bits. Writing 0 to a bit in the register has no effect. Writing 1 to a bit in the register Sets the corresponding Interrupt Request. The Virtual Interface interrupt is asserted if the following conditions exist:</p> <ul style="list-style-type: none"> • This register (offset C4Ch or C50h) value is non-zero, and, • Corresponding Virtual Interface IRQ Mask Set or Virtual Interface IRQ Mask Clear register (offset C54h or C58h, respectively) <i>Interrupt Mask</i> bit is not Set, and, • Interrupts (either INT_x or MSIs) are enabled | RW1S | Yes | 0000h |
| 31:16 | <i>Reserved</i> | RsvdP | No | 0000h |

Register 14-58. C50h Virtual Interface IRQ Clear

| Bit(s) | Description | Type | Serial EEPROM and I ² C | Default |
|---|--|-------|------------------------------------|---------|
| <i>Note:</i> The bits in this register can be masked by their respective Virtual Interface IRQ Mask Clear register bits (offset C58h). | | | | |
| 15:0 | <p>CLR_IRQ</p> <p>Clear Virtual IRQ. Controls the state of the Virtual Interface Doorbell Interrupt Request. Reading returns the status of the bits. Writing 0 to a bit in the register has no effect. Writing 1 to a bit in the register Clears the corresponding Interrupt Request. The Virtual Interface interrupt is de-asserted if the following conditions exist:</p> <ul style="list-style-type: none"> • This register (offset C50h or C4Ch) value is zero (0), –or– • Virtual Interface IRQ Mask Set or Virtual Interface IRQ Mask Clear register (offset C54h or C58h, respectively) masks all its Set or Clear register (offset C50h or C4Ch) <i>Set</i> bits, and • INT_x interrupts are enabled | RW1C | Yes | 0000h |
| 31:16 | <i>Reserved</i> | RsvdP | No | 0000h |

Register 14-59. C54h Virtual Interface IRQ Mask Set

| Bit(s) | Description | Type | Serial EEPROM and I ² C | Default |
|---|--|-------|------------------------------------|---------|
| <i>Note: The bits in this register can be used to mask their respective Virtual Interface IRQ Set register bits (offset C4Ch).</i> | | | | |
| 15:0 | <p>SET_IRQM Virtual Interface interrupt IRQ Mask Set. Reading returns the state of the <i>Interrupt Mask</i> bits. Writing 0 to a bit in the register has no effect. Writing 1 to a bit in the register Clears the corresponding <i>Interrupt Mask</i> bit.</p> <p>0 = Corresponding Virtual Interface IRQ Set register (offset C4Ch) <i>Interrupt Request</i> bit is not masked 1 = Corresponding Virtual Interface IRQ Set register (offset C4Ch) <i>Interrupt Request</i> bit is masked/disabled</p> | RW1S | Yes | FFFFh |
| 31:16 | Reserved | RsvdP | No | 0000h |

Register 14-60. C58h Virtual Interface IRQ Mask Clear

| Bit(s) | Description | Type | Serial EEPROM and I ² C | Default |
|---|---|-------|------------------------------------|---------|
| <i>Note: The bits in this register can be used to mask their respective Virtual Interface IRQ Clear register bits (offset C50h).</i> | | | | |
| 15:0 | <p>CLR_IRQM Clear Virtual IRQ Mask. Controls the state of the Virtual Interface <i>Interrupt Request</i> bits. Reading returns the state of the <i>Interrupt Mask</i> bits. Writing 0 to a bit in the register has no effect. Writing 1 to a bit in the register Clears the corresponding <i>Interrupt Mask</i> bit.</p> <p>0 = Corresponding Virtual Interface IRQ Clear register (offset C50h) <i>Interrupt Request</i> bit is not masked 1 = Corresponding Virtual Interface IRQ Clear register (offset C50h) <i>Interrupt Request</i> bit is masked/disabled</p> | RW1C | Yes | FFFFh |
| 31:16 | Reserved | RsvdP | No | 0000h |

Register 14-61. C5Ch Link Interface IRQ Set

| Bit(s) | Description | Type | Serial EEPROM and I ² C | Default |
|--|--|-------|------------------------------------|---------|
| <i>Note:</i> The bits in this register can be masked by their respective Link Interface IRQ Mask Set register bits (offset C64h). | | | | |
| 15:0 | <p>SET_IRQ Set Link IRQ. Controls the state of the Link Interface Doorbell Interrupt Request. Reading returns the status of the bits. Writing 0 to a bit in the register has no effect. Writing 1 to a bit in the register Sets the corresponding Interrupt Request. The Link Interface interrupt is asserted if the following conditions exist:</p> <ul style="list-style-type: none"> • This register (offset C5Ch or C60h) value is non-zero, and, • Corresponding Link Interface IRQ Mask Set or Link Interface IRQ Mask Clear register (offset C64h or C68h, respectively) <i>Interrupt Mask</i> bit is not Set, and, • Interrupts (either INT_x or MSIs) are enabled | RW1S | Yes | 0000h |
| 31:16 | <i>Reserved</i> | RsvdP | No | 0000h |

Register 14-62. C60h Link Interface IRQ Clear

| Bit(s) | Description | Type | Serial EEPROM and I ² C | Default |
|--|---|-------|------------------------------------|---------|
| <i>Note:</i> The bits in this register can be masked by their respective Link Interface IRQ Mask Clear register bits (offset C68h). | | | | |
| 15:0 | <p>CLR_IRQ Clear Virtual IRQ. Controls the state of the Virtual Interface Doorbell Interrupt Request. Reading returns the status of the bits. Writing 0 to a bit in the register has no effect. Writing 1 to a bit in the register Clears the corresponding Interrupt Request. The Virtual Interface interrupt is de-asserted if the following conditions exist:</p> <ul style="list-style-type: none"> • This register (offset C60h or C5Ch) value is zero (0), –or– • Link Interface IRQ Mask Set or Link Interface IRQ Mask Clear register (offset C64h or C68h, respectively) masks all its Set or Clear register (offset C60h or C5Ch) <i>Set</i> bits, and • INT_x interrupts are enabled | RW1C | Yes | 0000h |
| 31:16 | <i>Reserved</i> | RsvdP | No | 0000h |

Register 14-63. C64h Link Interface IRQ Mask Set

| Bit(s) | Description | Type | Serial EEPROM and I ² C | Default |
|--|---|-------|------------------------------------|---------|
| <i>Note: The bits in this register can be used to mask their respective Link Interface IRQ Set register bits (offset C5Ch).</i> | | | | |
| 15:0 | <p>SET_IRQM Link Interface Interrupt IRQ Mask Set. Reading returns the state of the <i>Interrupt Mask</i> bits. Writing 0 to a bit in the register has no effect. Writing 1 to a bit in the register Sets the corresponding <i>Interrupt Mask</i> bit.</p> <p>0 = Corresponding Link Interface IRQ Set register (offset C5Ch) <i>Interrupt Request</i> bit is not masked 1 = Corresponding Link Interface IRQ Set register (offset C5Ch) <i>Interrupt Request</i> bit is masked/disabled</p> | RW1S | Yes | FFFFh |
| 31:16 | Reserved | RsvdP | No | 0000h |

Register 14-64. C68h Link Interface IRQ Mask Clear

| Bit(s) | Description | Type | Serial EEPROM and I ² C | Default |
|--|---|-------|------------------------------------|---------|
| <i>Note: The bits in this register can be used to mask their respective Link Interface IRQ Clear register bits (offset C60h).</i> | | | | |
| 15:0 | <p>CLR_IRQM Link Interface Interrupt IRQ Mask Clear. Reading returns the state of the <i>Interrupt Mask</i> bits. Writing 0 to a bit in the register has no effect. Writing 1 to a bit in the register Clears the corresponding <i>Interrupt Mask</i> bit.</p> <p>0 = Corresponding Link Interface IRQ Clear register (offset C60h) <i>Interrupt Request</i> bit is not masked 1 = Corresponding Link Interface IRQ Clear register (offset C60h) <i>Interrupt Request</i> bit is masked/disabled</p> | RW1C | Yes | FFFFh |
| 31:16 | Reserved | RsvdP | No | 0000h |

Register 14-65. C6Ch NT Port SCRATCH0

| Bit(s) | Description | Type | Serial EEPROM and I ² C | Default |
|--------|--|------|------------------------------------|------------|
| 31:0 | Scratchpad 0 32-bit Scratchpad 0 register. | RW | Yes | 0000_0000h |

Register 14-66. C70h NT Port SCRATCH1

| Bit(s) | Description | Type | Serial EEPROM and I ² C | Default |
|--------|--|------|------------------------------------|------------|
| 31:0 | Scratchpad 1 32-bit Scratchpad 1 register. | RW | Yes | 0000_0000h |

Register 14-67. C74h NT Port SCRATCH2

| Bit(s) | Description | Type | Serial EEPROM and I ² C | Default |
|--------|--|------|------------------------------------|------------|
| 31:0 | Scratchpad 2 32-bit Scratchpad 2 register. | RW | Yes | 0000_0000h |

Register 14-68. C78h NT Port SCRATCH3

| Bit(s) | Description | Type | Serial EEPROM and I ² C | Default |
|--------|--|------|------------------------------------|------------|
| 31:0 | Scratchpad 3 32-bit Scratchpad 3 register. | RW | Yes | 0000_0000h |

Register 14-69. C7Ch NT Port SCRATCH4

| Bit(s) | Description | Type | Serial EEPROM and I ² C | Default |
|--------|--|------|------------------------------------|------------|
| 31:0 | Scratchpad 4 32-bit Scratchpad 4 register. | RW | Yes | 0000_0000h |

Register 14-70. C80h NT Port SCRATCH5

| Bit(s) | Description | Type | Serial EEPROM and I ² C | Default |
|--------|--|------|------------------------------------|------------|
| 31:0 | Scratchpad 5 32-bit Scratchpad 5 register. | RW | Yes | 0000_0000h |

Register 14-71. C84h NT Port SCRATCH6

| Bit(s) | Description | Type | Serial EEPROM and I ² C | Default |
|--------|--|------|------------------------------------|------------|
| 31:0 | Scratchpad 6 32-bit Scratchpad 6 register. | RW | Yes | 0000_0000h |

Register 14-72. C88h NT Port SCRATCH7

| Bit(s) | Description | Type | Serial EEPROM and I ² C | Default |
|--------|--|------|------------------------------------|------------|
| 31:0 | Scratchpad 7 32-bit Scratchpad 7 register. | RW | Yes | 0000_0000h |

14.15 NT Port Virtual Interface NT Bridging-Specific Registers (Offsets C8Ch – F30h)

Table 14-16 defines the register map of the NT Port Virtual Interface NT Bridging-Specific registers.

Table 14-16. NT Port Virtual Interface NT Bridging-Specific Register Map

| 31 30 29 28 27 26 25 24 23 22 21 20 19 18 17 16 | 15 14 13 12 11 10 9 8 7 6 5 4 3 2 1 0 | | |
|---|---------------------------------------|--------|------|
| <i>Reserved</i> | | C8Ch – | D64h |
| NT Port Virtual Interface NT Bridging-Specific Registers – Base Address and Base Address Setup (Offsets D68h – D90h) (Shadow Copy) | | D68h | ... |
| NT Port Virtual Interface NT Bridging-Specific Registers – Requester ID Translation Lookup Table Entry (Addresses D94h – DB0h) | | D94h | ... |
| <i>Reserved</i> | | DB4h – | F30h |

14.15.1 NT Port Virtual Interface NT Bridging-Specific Registers – Base Address and Base Address Setup (Offsets D68h – D90h)

The registers in this section are shadow copies of the NT Port Virtual Interface Base Address register (BAR) and BAR Configuration registers, and valid only for Ports 0, 4, and 8. If Port 0 is the NT Port, the registers are in Virtual Interface Configuration Space. [Table 14-17](#) defines the register map.

Note: It is recommended that these registers not be changed from their default values.

Table 14-17. NT Port Virtual Interface NT Bridging-Specific Base Address Register (BAR) and BAR Setup Register Map (Only Ports 0, 4, and 8, except if Port 0 is the NT Port, then NT Port Virtual Interface (containing the Station 0 value), and Ports 4 and 8)

| 31 30 29 28 27 26 25 24 23 22 21 20 19 18 17 16 | 15 14 13 12 11 10 9 8 7 6 5 4 3 2 1 0 | |
|---|---------------------------------------|------|
| BAR0 (Shadow Copy) | | D68h |
| BAR1 (Shadow Copy) | | D6Ch |
| BAR2 (Shadow Copy) | | D70h |
| BAR3 (Shadow Copy) | | D74h |
| BAR4 (Shadow Copy) | | D78h |
| BAR5 (Shadow Copy) | | D7Ch |
| BAR0/1 Setup (Shadow Copy) | | D80h |
| Memory BAR2 Setup (Shadow Copy) | | D84h |
| Memory BAR2/3 Setup (Shadow Copy) | | D88h |
| Memory BAR4 Setup (Shadow Copy) | | D8Ch |
| Memory BAR4/5 Setup (Shadow Copy) | | D90h |

Register 14-73. D68h BAR0 (Shadow Copy) (Only Ports 0, 4, and 8, except if Port 0 is the NT Port, then NT Port Virtual Interface (containing the Station 0 value), and Ports 4 and 8)

| Bit(s) | Description | Type | Serial EEPROM and I ² C | Default |
|---|--|-------|------------------------------------|---------|
| <i>Note:</i> This register is a shadow copy of the NT Port Virtual Interface Base Address 0 (BAR0) register (NT Port Virtual Interface, offset 10h). | | | | |
| 0 | Memory Space Indicator Virtual Side BAR0 is configured by serial EEPROM and the Local Host. By default, Configuration BAR0/1 Setup register selects 32-bit Memory BAR0 . 0 = Memory BAR – only value supported | RsvdP | No | 0 |
| 2:1 | Memory Map Type Reflection of the BAR configuration, as specified in the BAR0/1 Setup (Shadow Copy) register (offset D80h). 00b = Base Address register is 32 bits wide and can be mapped anywhere in the 32-bit Memory space 10b = Base Address register is 64 bits wide and can be mapped anywhere in the 64-bit Address space All other encodings are <i>reserved</i> . | RO | Yes | 00b |
| 3 | Prefetchable 0 = Non-Prefetchable 1 = Prefetchable | RO | Yes | 0 |
| 16:4 | <i>Reserved</i> | RsvdP | No | 0-0h |
| 31:17 | Base Address 0 128-KB Base address in which to map the PEX 8624 Configuration Space registers into Memory space. | RW | Yes | 0-0h |

Register 14-74. D6Ch BAR1 (Shadow Copy) (Only Ports 0, 4, and 8, except if Port 0 is the NT Port, then NT Port Virtual Interface (containing the Station 0 value), and Ports 4 and 8)

| Bit(s) | Description | Type | Serial EEPROM and I ² C | Default |
|---|--|-------|------------------------------------|------------|
| <i>Note:</i> This register is a shadow copy of the NT Port Virtual Interface Base Address 1 (BARI) register (NT Port Virtual Interface, offset 14h). | | | | |
| 31:0 | Upper 32-Bit BAR0 of Virtual NT Port BAR1 is the upper 32 bits of 64-bit BAR0/1 , Base Address 1 extends Base Address 0 to provide the upper 32 Address bits when the BAR0 (Shadow Copy) register <i>Memory Map Type</i> field (offset D68h[2:1]) is programmed to 10b. | RW | Yes | 0000_0000h |
| | <i>Reserved</i> when the BAR0 (Shadow Copy) register is not enabled as a 64-bit BAR (<i>Memory Map Type</i> field (offset D68h[2:1]) is not programmed to 10b). | RsvdP | Yes | 0000_0000h |

Register 14-75. D70h BAR2 (Shadow Copy) (Only Ports 0, 4, and 8, except if Port 0 is the NT Port, then NT Port Virtual Interface (containing the Station 0 value), and Ports 4 and 8)

| Bit(s) | Description | Type | Serial EEPROM and I ² C | Default |
|---|---|-------|------------------------------------|---------|
| <i>Note:</i> This register is a shadow copy of the NT Port Virtual Interface Base Address 2 (BAR2) register (NT Port Virtual Interface, offset 18h). | | | | |
| 0 | Memory Space Indicator 0 = Memory BAR – only value supported | RO | No | 0 |
| 2:1 | Memory Map Type Reflection of the BAR configuration, as specified in the Memory BAR2 Setup (Shadow Copy) register (offset D84h). 00b = Base Address register is 32 bits wide and can be mapped anywhere in the 32-bit Memory space 10b = Base Address register is 64 bits wide and can be mapped anywhere in the 64-bit Address space All other encodings are <i>reserved</i> . | RO | Yes | 00b |
| 3 | Prefetchable 0 = Non-Prefetchable 1 = Prefetchable | RO | Yes | 0 |
| 19:4 | <i>Reserved</i> | RsvdP | No | 0_000h |
| 31:20 | Base Address 2 | RW | Yes | 000h |

Register 14-76. D74h BAR3 (Shadow Copy) (Only Ports 0, 4, and 8, except if Port 0 is the NT Port, then NT Port Virtual Interface (containing the Station 0 value), and Ports 4 and 8)

| Bit(s) | Description | Type | Serial EEPROM and I ² C | Default | |
|---|---|----------------------|------------------------------------|---------|--------|
| <p><i>Notes:</i> This register is a shadow copy of the NT Port Virtual Interface Base Address 3 (BAR3) register (NT Port Virtual Interface, offset 1Ch).</p> <p>This register has RW privilege if BAR2/3 is configured as a 64-bit BAR (BAR2 (Shadow Copy) register Memory Map Type field (NT Port Virtual Interface, offset D70h[2:1]), is programmed to 10b).</p> | | | | | |
| 0 | Memory Space Indicator 0 = Memory BAR – only value supported | Offset D70h[2:1]=00b | RsvdP | No | 0 |
| | | Offset D70h[2:1]=10b | RW | Yes | 0 |
| 2:1 | Memory Map Type Reflection of the BAR configuration, as specified in the Memory BAR2/3 Setup (Shadow Copy) register (offset D88h). 00b = Base Address register is 32 bits wide and can be mapped anywhere in the 32-bit Memory space All other encodings are <i>reserved</i> . | Offset D70h[2:1]=00b | RsvdP | No | 00b |
| | | Offset D70h[2:1]=10b | RW | Yes | 00b |
| 3 | Prefetchable 0 = Non-Prefetchable 1 = Prefetchable | Offset D70h[2:1]=00b | RsvdP | No | 0 |
| | | Offset D70h[2:1]=10b | RW | Yes | 0 |
| 19:4 | Reserved When BAR2/3 are used as a 64-bit BAR, bits [31:0] (including bits [19:4]) are used as the upper 32 bits. | Offset D70h[2:1]=00b | RsvdP | No | 0_000h |
| | | Offset D70h[2:1]=10b | RW | Yes | 0_000h |
| 31:20 | Base Address 3 | RW | Yes | 000h | |

Register 14-77. D78h BAR4 (Shadow Copy) (Only Ports 0, 4, and 8, except if Port 0 is the NT Port, then NT Port Virtual Interface (containing the Station 0 value), and Ports 4 and 8)

| Bit(s) | Description | Type | Serial EEPROM and I ² C | Default |
|---|---|-------|------------------------------------|---------|
| <i>Note:</i> This register is a shadow copy of the NT Port Virtual Interface Base Address 4 (BAR4) register (NT Port Virtual Interface, offset 20h). | | | | |
| 0 | Memory Space Indicator 0 = Memory BAR – only value supported | RO | No | 0 |
| 2:1 | Memory Map Type Reflection of the BAR configuration, as specified in the Memory BAR4 Setup (Shadow Copy) register (offset D8Ch). 00b = Base Address register is 32 bits wide and can be mapped anywhere in the 32-bit Memory space 10b = Base Address register is 64 bits wide and can be mapped anywhere in the 64-bit Address space All other encodings are <i>reserved</i> . | RO | Yes | 00b |
| 3 | Prefetchable 0 = Non-Prefetchable 1 = Prefetchable | RO | Yes | 0 |
| 19:4 | <i>Reserved</i> | RsvdP | No | 0_000h |
| 31:20 | Base Address 4 | RW | Yes | 000h |

Register 14-78. D7Ch BAR5 (Shadow Copy) (Only Ports 0, 4, and 8, except if Port 0 is the NT Port, then NT Port Virtual Interface (containing the Station 0 value), and Ports 4 and 8)

| Bit(s) | Description | Type | Serial EEPROM and I ² C | Default | |
|---|---|----------------------|------------------------------------|---------|--------|
| <p><i>Notes:</i> This register is a shadow copy of the NT Port Virtual Interface Base Address 5 (BAR5) register (NT Port Virtual Interface, offset 24h).</p> <p>This register has RW privilege if BAR4/5 is configured as a 64-bit BAR (BAR4 (Shadow Copy) register Memory Map Type field (NT Port Virtual Interface, offset D78h[2:1]), is programmed to 10b).</p> | | | | | |
| 0 | Memory Space Indicator 0 = Memory BAR – only value supported | Offset D78h[2:1]=00b | RsvdP | No | 0 |
| | | Offset D78h[2:1]=10b | RW | Yes | 0 |
| 2:1 | Memory Map Type Reflection of the BAR configuration, as specified in the Memory BAR4/5 Setup (Shadow Copy) register (offset D90h). 00b = Base Address register is 32 bits wide and can be mapped anywhere in the 32-bit Memory space All other encodings are <i>reserved</i> . | Offset D78h[2:1]=00b | RsvdP | No | 00b |
| | | Offset D78h[2:1]=10b | RW | Yes | 00b |
| 3 | Prefetchable 0 = Non-Prefetchable 1 = Prefetchable | Offset D78h[2:1]=00b | RsvdP | No | 0 |
| | | Offset D78h[2:1]=10b | RW | Yes | 0 |
| 19:4 | Reserved When BAR4/5 are used as a 64-bit BAR, bits [31:0] (including bits [19:4]) are used as the upper 32 bits. | Offset D78h[2:1]=00b | RsvdP | No | 0_000h |
| | | Offset D78h[2:1]=10b | RW | Yes | 0_000h |
| 31:20 | Base Address 5 | RW | Yes | 000h | |

Register 14-79. D80h BAR0/1 Setup (Shadow Copy) (Only Ports 0, 4, and 8, except if Port 0 is the NT Port, then NT Port Virtual Interface (containing the Station 0 value), and Ports 4 and 8)

| Bit(s) | Description | Type | Serial EEPROM and I ² C | Default |
|--|--|-------|------------------------------------|---------|
| <i>Note:</i> This register must be programmed with the same value as the <i>NT Port Virtual Interface BAR0/1 Setup</i> register (NT Port Virtual Interface, offset <i>D0h</i>). | | | | |
| 1:0 | Type Selector 00b = Disables Virtual Interface BAR0 and BAR1 01b = <i>Reserved</i> 10b = Enables Virtual Interface BAR0 and disables BAR1 (BAR0 is a 32-bit BAR) 11b = Enables Virtual Interface BAR0 and BAR1 (BAR0/1 is a 64-bit BAR) | RW | Yes | 10b |
| 2 | BAR0 Prefetchable 0 = Non-Prefetchable 1 = Prefetchable | RW | Yes | 0 |
| 31:3 | <i>Reserved</i> | RsvdP | No | 0-0h |

Register 14-80. D84h Memory BAR2 Setup (Shadow Copy) (Only Ports 0, 4, and 8, except if Port 0 is the NT Port, then NT Port Virtual Interface (containing the Station 0 value), and Ports 4 and 8)

| Bit(s) | Description | Type | Serial EEPROM and I ² C | Default | |
|--|--|---|------------------------------------|---------|---|
| <i>Note: This register must be programmed with the same value as the NT Port Virtual Interface Memory BAR2 Setup register (NT Port Virtual Interface, offset D4h). This requirement applies only to the NT Port Virtual Interface.</i> | | | | | |
| 0 | Type Selector | RsvdP | No | 0 | |
| 2:1 | BAR2 Type 00b = BAR2 is implemented as a 32-bit Memory BAR 10b = BAR2/3 is implemented as a 64-bit Memory BAR No other encodings are allowed. | RW | Yes | 00b | |
| 3 | Prefetchable 0 = Non-Prefetchable 1 = Prefetchable | RW | Yes | 0 | |
| 19:4 | Reserved | RsvdP | No | 0-0h | |
| 30:20 | BAR2 Size Specifies the Address Range size requested by BAR2 . 0 = Corresponding BAR2 bits are RO bits that always return 0, and Writes are ignored 1 = Corresponding BAR2 bits are RW bits <i>Note: If BAR[30:n] is the Base field (BAR size is 2ⁿ), BAR[30:n] should have all ones (1).</i> | RW | Yes | 0-0h | |
| 31 | BAR2 Enable 0 = BAR2 is disabled, all BAR2 bits read 0 1 = BAR2 is enabled | Field [2:1] (<i>BAR2 Type</i>) = 00b | RW | Yes | 0 |
| | BAR2 Size Included with field [30:20] when this BAR is used as a 64-bit BAR, BAR2/3 . | Field [2:1] (<i>BAR2 Type</i>) = 10b | RW | Yes | 0 |

Register 14-81. D88h Memory BAR2/3 Setup (Shadow Copy) (Only Ports 0, 4, and 8, except if Port 0 is the NT Port, then NT Port Virtual Interface (containing the Station 0 value), and Ports 4 and 8)

| Bit(s) | Description | Type | Serial EEPROM and I ² C | Default | |
|---|--|--|------------------------------------|---------|---|
| <p><i>Note:</i> This register must be programmed with the same value as the <i>NT Port Virtual Interface Memory BAR2/3 Setup</i> register (NT Port Virtual Interface, offset <i>D8h</i>). This requirement applies only to the NT Port Virtual Interface.</p> | | | | | |
| 0 | Type Selector | RsvdP | No | 0 | |
| 2:1 | <p>BAR3 Type 00b = Selects 32-bit Memory BAR (BAR3) No other encodings are allowed.</p> | RO | No | 00b | |
| 3 | <p>Prefetchable 0 = Non-Prefetchable 1 = Prefetchable</p> | RW | Yes | 0 | |
| 19:4 | <i>Reserved</i> | RsvdP | No | 0-0h | |
| 30:20 | <p>BAR3 Size Specifies the Address Range size requested by BAR3. 0 = Corresponding BAR3 bits are RO bits that always return 0, and Writes are ignored 1 = Corresponding BAR3 bits are RW bits <i>Note:</i> If <i>BAR[30:n]</i> is the Base field (<i>BAR</i> size is 2^n), <i>BAR[30:n]</i> should have all ones (1).</p> | RW | Yes | 0-0h | |
| 31 | <p>BAR3 Enable 32-Bit BAR: 0 = BAR3 is disabled 1 = BAR3 is enabled as a 32-bit BAR</p> | Offset D84h[2:1] (<i>BAR2 Type</i>) = 00b | RW | Yes | 0 |
| | <p>64-Bit BAR: 0 = BAR2/3 is disabled, all BAR2/3 bits read 0 1 = BAR2/3 is enabled as a 64-bit BAR</p> | Offset D84h[2:1] (<i>BAR2 Type</i>) = 10b | RW | Yes | 0 |

Register 14-82. D8Ch Memory BAR4 Setup (Shadow Copy) (Only Ports 0, 4, and 8, except if Port 0 is the NT Port, then NT Port Virtual Interface (containing the Station 0 value), and Ports 4 and 8)

| Bit(s) | Description | Type | Serial EEPROM and I ² C | Default | |
|--|---|---|------------------------------------|---------|---|
| <i>Note: This register must be programmed with the same value as the NT Port Virtual Interface Memory BAR4 Setup register (NT Port Virtual Interface, offset DCh). This requirement applies only to the NT Port Virtual Interface.</i> | | | | | |
| 0 | Type Selector | RsvdP | No | 0 | |
| 2:1 | BAR4 Type 00b = BAR4 is implemented as a 32-bit Memory BAR 10b = BAR4/5 is implemented as a 64-bit Memory BAR | RW | Yes | 00b | |
| 3 | Prefetchable 0 = Non-Prefetchable 1 = Prefetchable | RW | Yes | 0 | |
| 19:4 | Reserved | RsvdP | No | 0-0h | |
| 30:20 | BAR4 Size Specifies the Address Range size requested by BAR4 . 0 = Corresponding BAR4 bits are RO bits that always return 0, and Writes are ignored 1 = Corresponding BAR4 bits are RW bits <i>Note: If $BAR[30:n]$ is the Base field (BAR size is 2^n), $BAR[30:n]$ should have all ones (1).</i> | RW | Yes | 0-0h | |
| 31 | BAR4 Enable 0 = BAR4 is disabled, all BAR4 bits read 0 1 = BAR4 is enabled | Field [2:1] (<i>BAR4 Type</i>) = 00b | RW | Yes | 0 |
| | BAR4 Size Included with field [30:20] when this BAR is used as a 64-bit BAR, BAR4/5 . | Field [2:1] (<i>BAR4 Type</i>) = 10b | RW | Yes | 0 |

Register 14-83. D90h Memory BAR4/5 Setup (Shadow Copy) (Ports 0, 4, and 8, except if Port 0 is the NT Port, then NT Port Virtual Interface (containing the Station 0 value), and Ports 4 and 8)

| Bit(s) | Description | Type | Serial EEPROM and I ² C | Default | |
|--|---|---|------------------------------------|---------|---|
| <i>Note: This register must be programmed with the same value as the NT Port Virtual Interface Memory BAR4/5 Setup register (NT Port Virtual Interface, offset E0h). This requirement applies only to the NT Port Virtual Interface.</i> | | | | | |
| 0 | Type Selector | RsvdP | No | 0 | |
| 2:1 | BAR5 Type 00b = Selects 32-bit Memory BAR (BAR5) No other encodings are allowed. | RO | No | 00b | |
| 3 | Prefetchable 0 = Non-Prefetchable 1 = Prefetchable | RW | Yes | 0 | |
| 19:4 | <i>Reserved</i> | RsvdP | No | 0-0h | |
| 30:20 | BAR5 Size Specifies the Address Range size requested by BAR5 . 0 = Corresponding BAR5 bits are RO bits that always return 0, and Writes are ignored 1 = Corresponding BAR5 bits are RW bits <i>Note: If BAR[30:n] is the Base field (BAR size is 2ⁿ), BAR[30:n] should have all ones (1).</i> | RW | Yes | 0-0h | |
| 31 | BAR5 Enable 32-Bit BAR: 0 = BAR5 is disabled 1 = BAR5 is enabled as a 32-bit BAR | Offset D8Ch[2:1] (BAR4 Type) = 00b | RW | Yes | 0 |
| | 64-Bit BAR: 0 = BAR4/5 is disabled, all BAR4/5 bits read 0 1 = BAR4/5 is enabled as a 64-bit BAR | Offset D8Ch[2:1] (BAR4 Type) = 10b | RW | Yes | 0 |

14.15.2 NT Port Virtual Interface NT Bridging-Specific Registers – Requester ID Translation Lookup Table Entry (Addresses D94h – DB0h)

This section describes the NT Port Virtual Interface NT Bridging-Specific Requester ID Translation Lookup Table (LUT) Entry registers. The NT Port uses these registers for Requester ID translation when it forwards:

- Memory Requests from the NT Port Virtual Interface to the NT Port Link Interface, –or–
- Completion TLPs from the NT Port Link Interface to the NT Port Virtual Interface

If the application needs to send traffic through the NT Port Virtual Interface, program the registers listed in this group with the corresponding Requester's Requester ID, then Set the *LUT Entry_n Enable* bit (bit 31) of each register accordingly.

Table 14-18 defines the register and address locations, as they relate to [Register 14-84](#).

Table 14-18. NT Port Virtual Interface NT Bridging-Specific Requester ID Translation Lookup Table Entry_n Register Locations

| ADDR Location | Lookup Table Entry_n | ADDR Location | Lookup Table Entry_n |
|---------------|----------------------|---------------|----------------------|
| D94h | 0 | DA4h | 4 |
| D98h | 1 | DA8h | 5 |
| D9Ch | 2 | DACH | 6 |
| DA0h | 3 | DB0h | 7 |

Register 14-84. D94h – DB0h NT Port Virtual Interface Requester ID Translation LUT Entry_n (where n = 0 through 7)

| Bit(s) | Description | | Type | Serial EEPROM and I ² C | Default |
|--------|--|---|-------|------------------------------------|---------|
| 2:0 | Requester ID on Virtual Side | Function Number LUT Entry _n Requester Function Number. | RW | Yes | 000b |
| 7:3 | | Device Number LUT Entry _n Requester Device Number. | RW | Yes | 0000_0b |
| 15:8 | | Bus Number LUT Entry _n Requester Bus Number. | RW | Yes | 00h |
| 29:16 | Reserved | | RsvdP | No | 0-0h |
| 30 | LUT Entry_n No Snoop Enable If Set, the NT Port Clears the TLP <i>No Snoop</i> attribute bit for the Memory Request, then goes from the NT Port Virtual Interface to the NT Port Link Interface, and re-calculates the ECRC. If the original TLP has an ECRC error, the NT Port corrupts the re-calculated ECRC before transmitting to the other Host domain. The NT Port sets the <i>No Snoop</i> attribute bit when it forwards the Completion TLP from the NT Port Link Interface to the NT Port Virtual Interface if this bit is Set for the corresponding Requester ID entry. This ECRC rule applies to Completion TLPs as well. 0 = Disables 1 = Enables | | RW | Yes | 0 |
| 31 | LUT Entry_n Enable 0 = Disables 1 = Enables | | RW | Yes | 0 |

14.16 NT Port Virtual Interface Device-Specific Registers (Offsets F34h – F8Ch)

The registers detailed in Section 12.16, “Device-Specific Registers (Offsets 54Ch – F8Ch)” (for offsets F34h through F8Ch), are unique to the PEX 8624 and not referenced in the *PCI Express Base r2.0*. These registers are also applicable to the NT Port Virtual Interface, except as defined in Table 14-19 (register map) and Table 14-20, and Register 14-85 through Register 14-91.

Other NT Port Virtual Interface Device-Specific registers are detailed in:

- Section 14.14, “NT Port Virtual Interface Device-Specific Registers (Offsets 1C0h – C88h)”
- Section 14.18, “NT Port Virtual Interface Device-Specific Registers – Link Error (Offsets FE0h – FFCh)”

Note: It is recommended that these registers not be changed from their default values.

Table 14-19. NT Port Virtual Interface Device-Specific Register Map (Offsets F34h – F8Ch)

| 31 30 29 28 27 26 25 24 23 22 21 20 19 18 17 16 | 15 14 13 12 11 10 9 8 7 6 5 4 3 2 1 0 | |
|--|---------------------------------------|---------------------|
| Device-Specific Registers – Read Pacing (Offsets F34h – F3Ch) | | F34h ... F3Ch |
| Device-Specific Registers – Error Reporting (Offsets F40h – F4Ch) | | F40h ... F4Ch |
| NT Port Virtual Interface Device-Specific Registers – ARI Capability (Offsets F50h – F8Ch) | | F50h ... F8Ch |

14.16.1 NT Port Virtual Interface Device-Specific Registers – ARI Capability (Offsets F50h – F8Ch)

The Alternative Routing ID (ARI) Capability registers detailed in [Section 12.16.16, “Device-Specific Registers – ARI Capability \(Offsets F50h – F8Ch\),”](#) are also applicable to the NT Port Virtual Interface, except as defined in [Table 14-20](#) (register map), and [Register 14-85](#) through [Register 14-91](#).

Table 14-20. NT Port Virtual Interface Device-Specific ARI Capability Register Map (Only Ports 0, 4, and 8, except if Port 0 is the NT Port, then NT Port Virtual Interface (containing the Station 0 value), and Ports 4 and 8)

| | | | |
|-----------------------------|-------------------------|---------------------------------------|-------------|
| 31 30 29 28 27 26 25 24 | 23 22 21 20 19 18 17 16 | 15 14 13 12 11 10 9 8 7 6 5 4 3 2 1 0 | |
| Device Control 2 for Port 0 | | Device Capability 2 for Port 0 | |
| Device Control 2 for Port 1 | | Device Capability 2 for Port 1 | |
| <i>Factory Test Only</i> | | | F58h – F5Ch |
| Device Control 2 for Port 4 | | Device Capability 2 for Port 4 | |
| Device Control 2 for Port 5 | | Device Capability 2 for Port 5 | |
| Device Control 2 for Port 6 | | Device Capability 2 for Port 6 | |
| <i>Factory Test Only</i> | | | F6Ch |
| Device Control 2 for Port 8 | | Device Capability 2 for Port 8 | |
| Device Control 2 for Port 9 | | Device Capability 2 for Port 9 | |
| <i>Factory Test Only</i> | | | F78h – F7Ch |
| <i>Reserved</i> | | | F80h – F8Ch |

Register 14-85. F50h Device Capability and Control 2 for Port 0 (Only Ports 0, 4, and 8, except if Port 0 is the NT Port, then NT Port Virtual Interface (containing the Station 0 value), and Ports 4 and 8)

| Bit(s) | Description | Type | Serial EEPROM and I ² C | Default | |
|---------------------------------------|---|------------------------------|------------------------------------|---------|---|
| Device Capability 2 for Port 0 | | | | | |
| 4:0 | <i>Reserved</i> | RsvdP | No | 0-0h | |
| 5 | ARI Forwarding Supported If the NT Port is Station 0, Port 0, the NT Port Virtual Interface holds the ARI forwarding supported, to a value of 1. Otherwise, the default value is 0. 0 = ARI forwarding is not supported 1 = ARI forwarding is supported when the Device Capability 2 register <i>ARI Forwarding Supported</i> bit (offset 8Ch[5]) is Set for this Port | NT Port is Station 0, Port 0 | RO | Yes | 1 |
| | | Otherwise | RO | Yes | 0 |
| 15:6 | <i>Reserved</i> | RsvdP | No | 0-0h | |
| Device Control 2 for Port 0 | | | | | |
| 20:16 | <i>Reserved</i> | RsvdP | No | 0-0h | |
| 21 | ARI Forwarding Enable 1 = Configuration Type 1-to-Type 0 occurs, even if the Device Number is not 0 | RW | Yes | 0 | |
| 31:22 | <i>Reserved</i> | RsvdP | No | 0-0h | |

Register 14-86. F54h Device Capability and Control 2 for Port 1 (Only Ports 0, 4, and 8, except if Port 0 is the NT Port, then NT Port Virtual Interface (containing the Station 0 value), and Ports 4 and 8)

| Bit(s) | Description | Type | Serial EEPROM and I ² C | Default | |
|---------------------------------------|---|------------------------------|------------------------------------|---------|---|
| Device Capability 2 for Port 1 | | | | | |
| 4:0 | <i>Reserved</i> | RsvdP | No | 0-0h | |
| 5 | ARI Forwarding Supported If the NT Port is Station 0, Port 0, the NT Port Virtual Interface holds the ARI forwarding supported, to a value of 1. Otherwise, the default value is 0. 0 = ARI forwarding is not supported 1 = ARI forwarding is supported when the Device Capability 2 register <i>ARI Forwarding Supported</i> bit (offset 8Ch[5]) is Set for this Port | NT Port is Station 0, Port 0 | RO | Yes | 1 |
| | | Otherwise | RO | Yes | 0 |
| 15:6 | <i>Reserved</i> | RsvdP | No | 0-0h | |
| Device Control 2 for Port 1 | | | | | |
| 20:16 | <i>Reserved</i> | RsvdP | No | 0-0h | |
| 21 | ARI Forwarding Enable 1 = Configuration Type 1-to-Type 0 occurs, even if the Device Number is not 0 | RW | Yes | 0 | |
| 31:22 | <i>Reserved</i> | RsvdP | No | 0-0h | |

Register 14-87. F60h Device Capability and Control 2 for Port 4 (Only Ports 0, 4, and 8, except if Port 0 is the NT Port, then NT Port Virtual Interface (containing the Station 0 value), and Ports 4 and 8)

| Bit(s) | Description | Type | Serial EEPROM and I ² C | Default | |
|---------------------------------------|---|------------------------------|------------------------------------|---------|---|
| Device Capability 2 for Port 4 | | | | | |
| 4:0 | <i>Reserved</i> | RsvdP | No | 0-0h | |
| 5 | ARI Forwarding Supported If the NT Port is Station 0, Port 0, the NT Port Virtual Interface holds the ARI forwarding supported, to a value of 1. Otherwise, the default value is 0. 0 = ARI forwarding is not supported 1 = ARI forwarding is supported when the Device Capability 2 register <i>ARI Forwarding Supported</i> bit (offset 8Ch[5]) is Set for this Port | NT Port is Station 0, Port 0 | RO | Yes | 1 |
| | | Otherwise | RO | Yes | 0 |
| 15:6 | <i>Reserved</i> | RsvdP | No | 0-0h | |
| Device Control 2 for Port 4 | | | | | |
| 20:16 | <i>Reserved</i> | RsvdP | No | 0-0h | |
| 21 | ARI Forwarding Enable 1 = Configuration Type 1-to-Type 0 occurs, even if the Device Number is not 0 | RW | Yes | 0 | |
| 31:22 | <i>Reserved</i> | RsvdP | No | 0-0h | |

Register 14-88. F64h Device Capability and Control 2 for Port 5 (Only Ports 0, 4, and 8, except if Port 0 is the NT Port, then NT Port Virtual Interface (containing the Station 0 value), and Ports 4 and 8)

| Bit(s) | Description | Type | Serial EEPROM and I ² C | Default | |
|---------------------------------------|---|------------------------------|------------------------------------|---------|---|
| Device Capability 2 for Port 5 | | | | | |
| 4:0 | <i>Reserved</i> | RsvdP | No | 0-0h | |
| 5 | ARI Forwarding Supported If the NT Port is Station 0, Port 0, the NT Port Virtual Interface holds the ARI forwarding supported, to a value of 1. Otherwise, the default value is 0. 0 = ARI forwarding is not supported 1 = ARI forwarding is supported when the Device Capability 2 register <i>ARI Forwarding Supported</i> bit (offset 8Ch[5]) is Set for this Port | NT Port is Station 0, Port 0 | RO | Yes | 1 |
| | | Otherwise | RO | Yes | 0 |
| 15:6 | <i>Reserved</i> | RsvdP | No | 0-0h | |
| Device Control 2 for Port 5 | | | | | |
| 20:16 | <i>Reserved</i> | RsvdP | No | 0-0h | |
| 21 | ARI Forwarding Enable 1 = Configuration Type 1-to-Type 0 occurs, even if the Device Number is not 0 | RW | Yes | 0 | |
| 31:22 | <i>Reserved</i> | RsvdP | No | 0-0h | |

Register 14-89. F68h Device Capability and Control 2 for Port 6 (Only Ports 0, 4, and 8, except if Port 0 is the NT Port, then NT Port Virtual Interface (containing the Station 0 value), and Ports 4 and 8)

| Bit(s) | Description | Type | Serial EEPROM and I ² C | Default | |
|---------------------------------------|---|------------------------------|------------------------------------|---------|---|
| Device Capability 2 for Port 6 | | | | | |
| 4:0 | <i>Reserved</i> | RsvdP | No | 0-0h | |
| 5 | ARI Forwarding Supported If the NT Port is Station 0, Port 0, the NT Port Virtual Interface holds the ARI forwarding supported, to a value of 1. Otherwise, the default value is 0. 0 = ARI forwarding is not supported 1 = ARI forwarding is supported when the Device Capability 2 register <i>ARI Forwarding Supported</i> bit (offset 8Ch[5]) is Set for this Port | NT Port is Station 0, Port 0 | RO | Yes | 1 |
| | | Otherwise | RO | Yes | 0 |
| 15:6 | <i>Reserved</i> | RsvdP | No | 0-0h | |
| Device Control 2 for Port 6 | | | | | |
| 20:16 | <i>Reserved</i> | RsvdP | No | 0-0h | |
| 21 | ARI Forwarding Enable 1 = Configuration Type 1-to-Type 0 occurs, even if the Device Number is not 0 | RW | Yes | 0 | |
| 31:22 | <i>Reserved</i> | RsvdP | No | 0-0h | |

Register 14-90. F70h Device Capability and Control 2 for Port 8 (Only Ports 0, 4, and 8, except if Port 0 is the NT Port, then NT Port Virtual Interface (containing the Station 0 value), and Ports 4 and 8)

| Bit(s) | Description | Type | Serial EEPROM and I ² C | Default | |
|---------------------------------------|---|------------------------------|------------------------------------|---------|---|
| Device Capability 2 for Port 8 | | | | | |
| 4:0 | <i>Reserved</i> | RsvdP | No | 0-0h | |
| 5 | ARI Forwarding Supported If the NT Port is Station 0, Port 0, the NT Port Virtual Interface holds the ARI forwarding supported, to a value of 1. Otherwise, the default value is 0. 0 = ARI forwarding is not supported 1 = ARI forwarding is supported when the Device Capability 2 register <i>ARI Forwarding Supported</i> bit (offset 8Ch[5]) is Set for this Port | NT Port is Station 0, Port 0 | RO | Yes | 1 |
| | | Otherwise | RO | Yes | 0 |
| 15:6 | <i>Reserved</i> | RsvdP | No | 0-0h | |
| Device Control 2 for Port 8 | | | | | |
| 20:16 | <i>Reserved</i> | RsvdP | No | 0-0h | |
| 21 | ARI Forwarding Enable 1 = Configuration Type 1-to-Type 0 occurs, even if the Device Number is not 0 | RW | Yes | 0 | |
| 31:22 | <i>Reserved</i> | RsvdP | No | 0-0h | |

Register 14-91. F74h Device Capability and Control 2 for Port 9 (Only Ports 0, 4, and 8, except if Port 0 is the NT Port, then NT Port Virtual Interface (containing the Station 0 value), and Ports 4 and 8)

| Bit(s) | Description | Type | Serial EEPROM and I ² C | Default | |
|---------------------------------------|---|------------------------------|------------------------------------|---------|---|
| Device Capability 2 for Port 9 | | | | | |
| 4:0 | <i>Reserved</i> | RsvdP | No | 0-0h | |
| 5 | ARI Forwarding Supported If the NT Port is Station 0, Port 0, the NT Port Virtual Interface holds the ARI forwarding supported, to a value of 1. Otherwise, the default value is 0. 0 = ARI forwarding is not supported 1 = ARI forwarding is supported when the Device Capability 2 register <i>ARI Forwarding Supported</i> bit (offset 8Ch[5]) is Set for this Port | NT Port is Station 0, Port 0 | RO | Yes | 1 |
| | | Otherwise | RO | Yes | 0 |
| 15:6 | <i>Reserved</i> | RsvdP | No | 0-0h | |
| Device Control 2 for Port 9 | | | | | |
| 20:16 | <i>Reserved</i> | RsvdP | No | 0-0h | |
| 21 | ARI Forwarding Enable 1 = Configuration Type 1-to-Type 0 occurs, even if the Device Number is not 0 | RW | Yes | 0 | |
| 31:22 | <i>Reserved</i> | RsvdP | No | 0-0h | |

14.17 NT Port Virtual Interface Advanced Error Reporting Extended Capability Registers (Offsets FB4h – FDCh)

The registers detailed in Section 12.17, “Advanced Error Reporting Extended Capability Registers (Offsets FB4h – FDCh),” are also applicable to the NT Port Virtual Interface, except for the **Next Capability Offset** value, as defined in Table 14-21 (register map), and Register 14-92 through Register 14-97.

Table 14-21. NT Port Virtual Interface Advanced Error Reporting Extended Capability Register Map

| 31 30 29 28 27 26 25 24 23 22 21 20 19 18 17 16 | | | | | | | | | | | | | | | | 15 14 13 12 11 10 9 8 7 6 5 4 3 2 1 0 | | | | | | | | | | | | | | | | | | | | | | | | | | | | | | | | |
|---|--|--|--|--|--|--|--|--|--|--|--|--|--|--|--|---------------------------------------|--|--|--|--|--|--|--|--|--|--|--|--|--|--|--|--|--|--|--|--|--|--|--|--|--|--|--|--|--|--|--|--|
| Next Capability Offset (148h) | | | | | | | | | | | | | | | | Capability Version (1h) | | | | | | | | | | | | | | | | PCI Express Extended Capability ID (0001h) | | | | | | | | | | | | | | | | |
| Uncorrectable Error Status | | | | | | | | | | | | | | | | | | | | | | | | | | | | | | | | FB4h | | | | | | | | | | | | | | | | |
| Uncorrectable Error Mask | | | | | | | | | | | | | | | | | | | | | | | | | | | | | | | | FB8h | | | | | | | | | | | | | | | | |
| Uncorrectable Error Severity | | | | | | | | | | | | | | | | | | | | | | | | | | | | | | | | FBCh | | | | | | | | | | | | | | | | |
| Correctable Error Status | | | | | | | | | | | | | | | | | | | | | | | | | | | | | | | | FC0h | | | | | | | | | | | | | | | | |
| Correctable Error Mask | | | | | | | | | | | | | | | | | | | | | | | | | | | | | | | | FC4h | | | | | | | | | | | | | | | | |
| Advanced Error Capabilities and Control | | | | | | | | | | | | | | | | | | | | | | | | | | | | | | | | FC8h | | | | | | | | | | | | | | | | |
| Header Log 0 | | | | | | | | | | | | | | | | | | | | | | | | | | | | | | | | FCCCh | | | | | | | | | | | | | | | | |
| Header Log 1 | | | | | | | | | | | | | | | | | | | | | | | | | | | | | | | | FD0h | | | | | | | | | | | | | | | | |
| Header Log 2 | | | | | | | | | | | | | | | | | | | | | | | | | | | | | | | | FD4h | | | | | | | | | | | | | | | | |
| Header Log 3 | | | | | | | | | | | | | | | | | | | | | | | | | | | | | | | | FD8h | | | | | | | | | | | | | | | | |
| Header Log 3 | | | | | | | | | | | | | | | | | | | | | | | | | | | | | | | | FDCh | | | | | | | | | | | | | | | | |

Register 14-92. FB4h Advanced Error Reporting Extended Capability Header

| Bit(s) | Description | Type | Serial EEPROM and I ² C | Default |
|--------|---|------|------------------------------------|---------|
| 15:0 | PCI Express Extended Capability ID | RO | Yes | 0001h |
| 19:16 | Capability Version | RO | Yes | 1h |
| 31:20 | Next Capability Offset Program to 148h, which addresses the Virtual Channel Extended Capability structure. | RO | Yes | 148h |

Register 14-93. FB8h Uncorrectable Error Status (All Ports)

| Bit(s) | Description | Type | Serial EEPROM and I ² C | Default |
|---|--|--------------------|------------------------------------|---------|
| The following PCI Express errors are not valid for the NT Port Virtual Interface: <ul style="list-style-type: none"> • Data Link Protocol error • Surprise Down error | | | | |
| 3:0 | <i>Reserved</i> | RsvdP | No | 0h |
| 4 | Data Link Protocol Error Status 0 = No error is detected 1 = Error is detected | RWICS ^a | Yes | 0 |
| 5 | Surprise Down Error Status <i>Reserved</i> | RsvdP | No | 0 |
| 11:6 | <i>Reserved</i> | RsvdP | No | 0-0h |
| 12 | Poisoned TLP Status 0 = No error is detected 1 = Error is detected | RWICS ^a | Yes | 0 |
| 13 | Flow Control Protocol Error Status <i>Reserved/Not supported</i> | RsvdP | No | 0 |
| 14 | Completion Timeout Status <i>Not applicable to switches.</i> | RsvdP | No | 0 |
| 15 | Completer Abort Status | RWICS ^a | Yes | 0 |
| 16 | Unexpected Completion Status 0 = No error is detected 1 = Error is detected | RWICS ^a | Yes | 0 |
| 17 | Receiver Overflow Status 0 = No error is detected 1 = Error is detected | RWICS ^a | Yes | 0 |
| 18 | Malformed TLP Status 0 = No error is detected 1 = Error is detected | RWICS ^a | Yes | 0 |
| 19 | ECRC Error Status 0 = No error is detected 1 = Error is detected | RWICS ^a | Yes | 0 |
| 20 | Unsupported Request Error Status 0 = No error is detected 1 = Error is detected | RWICS ^a | Yes | 0 |
| 31:21 | <i>Reserved</i> | RsvdP | No | 0-0h |

a. When the **ECC Error Check Disable** register *Software Force Error Enable* bit (offset 1C8h[2]) is Set, Type changes from RWICS to RW.

Register 14-94. FBCh Uncorrectable Error Mask (All Ports)

| Bit(s) | Description | Type | Serial EEPROM and I ² C | Default |
|---|---|-------|------------------------------------|---------|
| The following PCI Express errors are not valid for the NT Port Virtual Interface: <ul style="list-style-type: none"> Data Link Protocol error Surprise Down error | | | | |
| 3:0 | <i>Reserved</i> | RsvdP | No | 0h |
| 4 | Data Link Protocol Error Mask 0 = No mask is Set 1 = Masks error reporting, first error update, and Header logging for this error | RWS | Yes | 0 |
| 5 | Surprise Down Error Mask <i>Reserved</i> | RsvdP | No | 0 |
| 11:6 | <i>Reserved</i> | RsvdP | No | 0-0h |
| 12 | Poisoned TLP Mask 0 = No mask is Set 1 = Masks error reporting, first error update, and Header logging for this error | RWS | Yes | 0 |
| 13 | Flow Control Protocol Error Mask <i>Reserved/Not supported</i> | RsvdP | No | 0 |
| 14 | Completion Timeout Mask <i>Not applicable to switches.</i> | RsvdP | No | 0 |
| 15 | Completer Abort Mask | RWS | Yes | 0 |
| 16 | Unexpected Completion Mask 0 = No mask is Set 1 = Masks error reporting, first error update, and Header logging for this error | RWS | Yes | 0 |
| 17 | Receiver Overflow Mask 0 = No mask is Set 1 = Masks error reporting, first error update, and Header logging for this error | RWS | Yes | 0 |
| 18 | Malformed TLP Mask 0 = No mask is Set 1 = Masks error reporting, first error update, and Header logging for this error | RWS | Yes | 0 |
| 19 | ECRC Error Mask 0 = No mask is Set 1 = Masks error reporting, first error update, and Header logging for this error | RWS | Yes | 0 |
| 20 | Unsupported Request Error Mask 0 = No mask is Set 1 = Masks error reporting, first error update, and Header logging for this error | RWS | Yes | 0 |
| 31:21 | <i>Reserved</i> | RsvdP | No | 0-0h |

Register 14-95. FC0h Uncorrectable Error Severity (All Ports)

| Bit(s) | Description | Type | Serial EEPROM and I ² C | Default |
|---|---|-------|------------------------------------|---------|
| The following PCI Express errors are not valid for the NT Port Virtual Interface: <ul style="list-style-type: none"> • Data Link Protocol error • Surprise Down error | | | | |
| 3:0 | <i>Reserved</i> | RsvdP | No | 0h |
| 4 | Data Link Protocol Error Severity 0 = Error is reported as non-fatal 1 = Error is reported as fatal | RWS | Yes | 1 |
| 5 | Surprise Down Error Severity <i>Reserved</i> | RsvdP | No | 1 |
| 11:6 | <i>Reserved</i> | RsvdP | No | 0-0h |
| 12 | Poisoned TLP Severity 0 = Error is handled as an Advisory Non-Fatal error, and reported as a Correctable error 1 = Error is reported as fatal | RWS | Yes | 0 |
| 13 | Flow Control Protocol Error Severity <i>Reserved/Not supported</i> | RsvdP | No | 1 |
| 14 | Completion Timeout Severity <i>Not applicable to switches.</i> Because the Status and Mask are both <i>reserved</i> for this bit, Severity can be ignored. | RsvdP | No | 0 |
| 15 | Completer Abort Severity 0 = Error is handled as an Advisory Non-Fatal error, and reported as a Correctable error 1 = Error is reported as fatal | RWS | Yes | 0 |
| 16 | Unexpected Completion Severity 0 = Error is handled as an Advisory Non-Fatal error, and reported as a Correctable error 1 = Error is reported as fatal | RWS | Yes | 0 |
| 17 | Receiver Overflow Severity 0 = Error is reported as non-fatal 1 = Error is reported as fatal | RWS | Yes | 1 |
| 18 | Malformed TLP Severity 0 = Error is reported as non-fatal 1 = Error is reported as fatal | RWS | Yes | 1 |
| 19 | ECRC Error Severity 0 = Error is handled as an Advisory Non-Fatal error, and reported as a Correctable error 1 = Error is reported as fatal | RWS | Yes | 0 |
| 20 | Unsupported Request Error Severity 0 = Error is handled as an Advisory Non-Fatal error, and reported as a Correctable error 1 = Error is reported as fatal | RWS | Yes | 0 |
| 31:21 | <i>Reserved</i> | RsvdP | No | 0-0h |

Register 14-96. FC4h Correctable Error Status (All Ports)

| Bit(s) | Description | Type | Serial EEPROM and I ² C | Default |
|---|--|--------------------|------------------------------------|---------|
| The following PCI Express errors are not valid for the NT Port Virtual Interface: <ul style="list-style-type: none"> Receiver error Bad TLP error Bad DLLP error Replay Number Rollover error Replay Timer Timeout error | | | | |
| 0 | Receiver Error Status 0 = No error is detected 1 = Error is detected | RW1CS ^a | Yes | 0 |
| 5:1 | <i>Reserved</i> | RsvdP | No | 0-0h |
| 6 | Bad TLP Status 0 = No error is detected 1 = Error is detected | RW1CS ^a | Yes | 0 |
| 7 | Bad DLLP Status 0 = No error is detected 1 = Error is detected | RW1CS ^a | Yes | 0 |
| 8 | REPLAY NUM Rollover Status Replay Number Rollover status. 0 = No error is detected 1 = Error is detected | RW1CS ^a | Yes | 0 |
| 11:9 | <i>Reserved</i> | RsvdP | No | 000b |
| 12 | Replay Timer Timeout Status 0 = No error is detected 1 = Error is detected | RW1CS ^a | Yes | 0 |
| 13 | Advisory Non-Fatal Error Status 0 = No error is detected 1 = Error is detected | RW1CS ^a | Yes | 0 |
| 31:14 | <i>Reserved</i> | RsvdP | No | 0-0h |

a. When the *ECC Error Check Disable* register *Software Force Error Enable* bit (offset 1C8h[2]) is Set, Type changes from RW1CS to RW.

Register 14-97. FC8h Correctable Error Mask (All Ports)

| Bit(s) | Description | Type | Serial EEPROM and I ² C | Default |
|---|---|-------|------------------------------------|---------|
| The following PCI Express errors are not valid for the NT Port Virtual Interface: <ul style="list-style-type: none"> Receiver error Bad TLP error Bad DLLP error Replay Number Rollover error Replay Timer Timeout error | | | | |
| 0 | Receiver Error Mask 0 = Error reporting is not masked 1 = Error reporting is masked | RWS | Yes | 0 |
| 5:1 | <i>Reserved</i> | RsvdP | No | 0-0h |
| 6 | Bad TLP Mask 0 = Error reporting is not masked 1 = Error reporting is masked | RWS | Yes | 0 |
| 7 | Bad DLLP Mask 0 = Error reporting is not masked 1 = Error reporting is masked | RWS | Yes | 0 |
| 8 | REPLAY NUM Rollover Mask Replay Number Rollover mask. 0 = Error reporting is not masked 1 = Error reporting is masked | RWS | Yes | 0 |
| 11:9 | <i>Reserved</i> | RsvdP | No | 000b |
| 12 | Replay Timer Timeout Mask 0 = Error reporting is not masked 1 = Error reporting is masked | RWS | Yes | 0 |
| 13 | Advisory Non-Fatal Error Mask 0 = Error reporting is not masked 1 = Error reporting is masked | RWS | Yes | 1 |
| 31:14 | <i>Reserved</i> | RsvdP | No | 0-0h |

14.18 NT Port Virtual Interface Device-Specific Registers – Link Error (Offsets FE0h – FFCh)

This section details the NT Port Virtual Interface Device-Specific Link Error registers, located at offsets FE0h through FFCh. These Device-Specific registers are unique to the NT Port Virtual Interface and not referenced in the *PCI Express Base r2.0*. Table 14-22 defines the register map used by the NT Port Virtual Interface.

Other NT Port Virtual Interface Device-Specific registers are detailed in:

- Section 14.14, “NT Port Virtual Interface Device-Specific Registers (Offsets 1C0h – C88h)”
- Section 14.16, “NT Port Virtual Interface Device-Specific Registers (Offsets F34h – F8Ch)”

Note: It is recommended that these registers not be changed from their default values.

Table 14-22. NT Port Virtual Interface Device-Specific Register Map – Link Error (Offsets FE0h – FFCh) (Port 0, when Port 0 is NT Port, Virtual Interface Only)

| 31 30 29 28 27 26 25 24 23 22 21 20 19 18 17 16 | 15 14 13 12 11 10 9 8 7 6 5 4 3 2 1 0 | |
|---|---------------------------------------|-------------|
| Link Error Status Virtual | | FE0h |
| Link Error Mask Virtual | | FE4h |
| <i>Reserved</i> | | FE8h – FFCh |

Register 14-98. FE0h Link Error Status Virtual (Port 0, when Port 0 is the NT Port)

| Bit(s) | Description | Type | Serial EEPROM and I ² C | Default |
|--|--|-------|------------------------------------|-----------|
| <i>Note:</i> The bits in this register can be masked by their respective Link Error Mask Virtual register bits (Port 0, when Port 0 is the NT Port, Virtual Interface Only, offset FE4h). | | | | |
| 0 | Link Side Correctable Error Status 1 = NT Port Link Interface detected a Correctable TLP error, and signaled the interrupt to the Local Host | RW1CS | Yes | 0 |
| 1 | Link Side Uncorrectable Error Status 1 = NT Port Link Interface detected an Uncorrectable TLP error, and signaled the interrupt to the Local Host | RW1CS | Yes | 0 |
| 2 | Link Side DL Active Change Status 1 = NT Port Link Interface <i>DL_Active</i> state change occurred upon detection of an NT Port Link Interface <i>DL_Down</i> state rise edge and fall edge | RW1CS | Yes | 0 |
| 3 | Link Side Uncorrectable Error Message Drop Status 1 = NT Port Link Interface received an Uncorrectable Error Message, and signaled the interrupt to the Local Host | RW1CS | Yes | 0 |
| 31:4 | Reserved | RsvdP | No | 0000_000h |

Register 14-99. FE4h Link Error Mask Virtual (Port 0, when Port 0 is the NT Port)

| Bit(s) | Description | Type | Serial EEPROM and I ² C | Default |
|---|--|-------|------------------------------------|-----------|
| <i>Note:</i> The bits in this register can be used to mask their respective Link Error Status Virtual register bits (Port 0, when Port 0 is the NT Port, Virtual Interface Only, offset FE0h). | | | | |
| 0 | Link Side Correctable Error Mask 0 = No effect on reporting activity 1 = Link Side Correctable Error Status bit is masked/disabled | RWS | Yes | 1 |
| 1 | Link Side Uncorrectable Error Mask 0 = No effect on reporting activity 1 = Link Side Uncorrectable Error Status bit is masked/disabled | RWS | Yes | 1 |
| 2 | Link Side DL Active Change Mask 0 = No effect on reporting activity 1 = Link Side DL Active Change Status bit is masked/disabled | RWS | Yes | 1 |
| 3 | Link Side Uncorrectable Error Message Drop Mask 0 = No effect on reporting activity 1 = Link Side Uncorrectable Error Message Drop Status bit is masked/disabled | RWS | Yes | 1 |
| 31:4 | Reserved | RsvdP | No | 0000_000h |



Chapter 15 NT Port Link Interface Registers – NT Mode Only

15.1 Introduction

Note: Check the latest design guides, application notes and errata list for Non-Transparent (NT) usage.

The NT Port includes two sets of Configuration, Capability, Control, and Status registers, to support the Link and Virtual Interfaces. This chapter defines the PEX 8624 NT Port Link Interface registers. Other registers are defined in:

- Chapter 12, “Transparent Port Registers”
- Chapter 14, “NT Port Virtual Interface Registers – NT Mode Only”

Note: For Chip- and Station-specific registers (those that exist only in Port 0), if Port 0 is the NT Port, then those registers exist only in the NT Port Virtual Interface.

All PEX 8624 registers can be accessed by Configuration or Memory Requests.

For further details regarding register names and descriptions, refer to the following specifications:

- PCI r3.0
- PCI Power Mgmt. r1.2
- PCI Express Base r2.0

15.2 NT Port Link Interface Type 0 Register Map

Table 15-1 defines the NT Port Link Interface Type 0 register mapping.

Table 15-1. NT Port Link Interface Type 0 Register Map

| | | | |
|--|---------------------------------------|--|-------------|
| 31 30 29 28 27 26 25 24 23 22 21 20 19 18 17 16 | 15 14 13 12 11 10 9 8 7 6 5 4 3 2 1 0 | | 00h |
| NT Port Link Interface PCI-Compatible Type 0 Configuration Header Registers (Offsets 00h – 3Ch) | | | ... |
| | | Capability Pointer (40h) | 34h |
| | | | ... |
| NT Port Link Interface PCI Power Management Capability Registers (Offsets 40h – 44h) | | | 3Ch |
| | | Next Capability Pointer (48h) | 40h |
| | | Capability ID (01h) | 44h |
| NT Port Link Interface MSI Capability Registers (Offsets 48h – 64h) | | | 44h |
| | | Next Capability Pointer (68h) | 48h |
| | | Capability ID (05h) | 48h |
| | | | ... |
| NT Port Link Interface PCI Express Capability Registers (Offsets 68h – A0h) | | | 64h |
| | | Next Capability Pointer (A4h) | 68h |
| | | Capability ID (10h) | 68h |
| | | | ... |
| NT Port Link Interface Subsystem ID and Subsystem Vendor ID Capability Registers (Offsets A4h – C4h) | | | A0h |
| | | Next Capability Pointer (C8h) | A4h |
| | | SSID/SSVID Capability ID (0Dh) | A4h |
| | | | ... |
| NT Port Link Interface Vendor-Specific Capability 3 Registers (Offsets C8h – FCh) | | | C4h |
| | | Next Capability Pointer 3 (00h) | C8h |
| | | Capability ID 3 (09h) | C8h |
| | | | ... |
| NT Port Link Interface Device Serial Number Extended Capability Registers (Offsets 100h – 134h) | | | FCh |
| Next Capability Offset (FB4h) | 1h | PCI Express Extended Capability ID (0003h) | 100h |
| | | | ... |
| NT Port Link Interface Power Budget Extended Capability Registers (Offsets 138h – 144h) | | | 134h |
| Next Capability Offset (148h) | 1h | PCI Express Extended Capability ID (0004h) | 138h |
| | | | ... |
| NT Port Link Interface Virtual Channel Extended Capability Registers (Offsets 148h – 1A4h) | | | 144h |
| Next Capability Offset (950h) | 1h | PCI Express Extended Capability ID (0002h) | 148h |
| | | | ... |
| <i>Reserved</i> | | | 1A4h |
| | | | 1A8h – 1BCh |

Table 15-1. NT Port Link Interface Type 0 Register Map (Cont.)

| 31 30 29 28 27 26 25 24 23 22 21 20 19 18 17 16 | | | | | | | | | | | | | | | | 15 14 13 12 11 10 9 8 7 6 5 4 3 2 1 0 | | | | | | | | | | | | | | | | | | | | | | | | | | | | | | | | |
|---|--|--|--|--|--|--|--|--|--|--|--|--|--|--|--|---------------------------------------|--|--|--|--|--|--|--|--|--|--|--|--|--|--|--|--|--|--|--|--|--|--|--|--|--|--|--|--|--|--|--|------|
| NT Port Link Interface Device-Specific Registers (Offsets 1C0h – C88h) | | | | | | | | | | | | | | | | | | | | | | | | | | | | | | | | 1C0h | | | | | | | | | | | | | | | | |
| ... | | | | | | | | | | | | | | | | | | | | | | | | | | | | | | | | ... | | | | | | | | | | | | | | | | |
| Next Capability Offset 2 (C34h) | | | | | | | | | | | | | | | | 1h | | | | | | | | | | | | | | | | PCI Express Extended Capability ID 2 (000Bh) | | | | | | | | | | | | | | | | 950h |
| NT Port Link Interface Device-Specific Registers (Offsets 1C0h – C88h) | | | | | | | | | | | | | | | | | | | | | | | | | | | | | | | | ... | | | | | | | | | | | | | | | | |
| Next Capability Offset 4 (000h) | | | | | | | | | | | | | | | | 1h | | | | | | | | | | | | | | | | PCI Express Extended Capability ID 4 (000Bh) | | | | | | | | | | | | | | | | C34h |
| NT Port Link Interface Device-Specific Registers (Offsets 1C0h – C88h) | | | | | | | | | | | | | | | | | | | | | | | | | | | | | | | | ... | | | | | | | | | | | | | | | | |
| NT Port Link Interface NT Bridging-Specific Registers (Offsets C8Ch – EFCh) | | | | | | | | | | | | | | | | | | | | | | | | | | | | | | | | C88h | | | | | | | | | | | | | | | | |
| ... | | | | | | | | | | | | | | | | | | | | | | | | | | | | | | | | C8Ch | | | | | | | | | | | | | | | | |
| NT Port Link Interface Device-Specific Registers – Source Queue Weight (Offsets F00h – F30h) | | | | | | | | | | | | | | | | | | | | | | | | | | | | | | | | ... | | | | | | | | | | | | | | | | |
| ... | | | | | | | | | | | | | | | | | | | | | | | | | | | | | | | | F00h | | | | | | | | | | | | | | | | |
| ... | | | | | | | | | | | | | | | | | | | | | | | | | | | | | | | | F30h | | | | | | | | | | | | | | | | |
| <i>Reserved</i> | | | | | | | | | | | | | | | | | | | | | | | | | | | | | | | | F34h – | | | | | | | | | | | | | | | | |
| Next Capability Offset (138h) | | | | | | | | | | | | | | | | 1h | | | | | | | | | | | | | | | | PCI Express Extended Capability ID (0001h) | | | | | | | | | | | | | | | | FB0h |
| NT Port Link Interface Advanced Error Reporting Extended Capability Registers (Offsets FB4h – FDCh) | | | | | | | | | | | | | | | | | | | | | | | | | | | | | | | | ... | | | | | | | | | | | | | | | | |
| ... | | | | | | | | | | | | | | | | | | | | | | | | | | | | | | | | FB4h | | | | | | | | | | | | | | | | |
| ... | | | | | | | | | | | | | | | | | | | | | | | | | | | | | | | | FDCh | | | | | | | | | | | | | | | | |
| <i>Reserved</i> | | | | | | | | | | | | | | | | | | | | | | | | | | | | | | | | FE0h – | | | | | | | | | | | | | | | | |
| ... | | | | | | | | | | | | | | | | | | | | | | | | | | | | | | | | FFCh | | | | | | | | | | | | | | | | |

15.3 Register Access

The PEX 8624 NT Port Link Interface implements a 4-KB Configuration Space. The lower 256 bytes (offsets 00h through FFh) comprise the PCI-compatible Configuration Space, and the upper 960 Dwords (offsets 100h through FFFh) comprise the PCI Express Extended Configuration Space. The PEX 8624 supports three mechanisms for accessing the NT Port Link Interface registers:

- [PCI Express Base r2.0 Configuration Mechanism](#)
- [Device-Specific Memory-Mapped Configuration Mechanism](#)
- [Device-Specific Cursor Mechanism](#)

15.3.1 PCI Express Base r2.0 Configuration Mechanism

The *PCI Express Base r2.0* Configuration mechanism is divided into two mechanisms:

- [PCI r3.0-Compatible Configuration Mechanism](#) – Provides Conventional PCI access to the first 256 bytes (the bytes at offsets 00h through FFh) of the NT Port Link Interface Configuration Register space
- [PCI Express Enhanced Configuration Access Mechanism](#) – Provides access to the entire 4-KB Configuration Space

Both are described in the sections that follow.

The PEX 8624 decodes Type 0 Configuration transactions received on its NT Port Link Interface. The PEX 8624 reads from or writes to the NT Port Link Interface register, as specified in the original Type 0 Configuration access.

15.3.1.1 PCI r3.0-Compatible Configuration Mechanism

The *PCI r3.0*-Compatible Configuration Space consists of the first 256 bytes of the NT Port Link Interface Configuration Space. (Refer to [Figure 15-1](#).) The *PCI r3.0*-Compatible Configuration mechanism provides standard access to the PEX 8624 NT Port Link Interface's first 256 bytes (the bytes at offsets 00h through FFh) of the PCI Express Configuration Space.

This mechanism uses the same Request format as the [PCI Express Enhanced Configuration Access Mechanism](#). For PCI-compatible Configuration Requests, the Extended Register Address field must be all zeros (0).

Because the mechanism is limited to the first 256 bytes of the NT Port Link Interface Configuration Register space, one of the following must be used to access beyond Byte FFh:

- [PCI Express Enhanced Configuration Access Mechanism](#)
- [Device-Specific Memory-Mapped Configuration Mechanism](#)
- [Device-Specific Cursor Mechanism](#)

15.3.1.2 PCI Express Enhanced Configuration Access Mechanism

The PCI Express Enhanced Configuration Access mechanism uses a flat, Root Complex Memory-Mapped Address space to access the device Configuration registers. In this case, the Memory address determines the Configuration register accessed, and Memory data returns the addressed register contents. The Root Complex converts the Memory transaction into a Configuration transaction before transmitting this access to the downstream devices.

This mechanism is used to access the NT Port Link Interface Type 0 registers:

- NT Port Link Interface PCI-Compatible Type 0 Configuration Header Registers (Offsets 00h – 3Ch)
- NT Port Link Interface PCI Power Management Capability Registers (Offsets 40h – 44h)
- NT Port Link Interface MSI Capability Registers (Offsets 48h – 64h)
- NT Port Link Interface PCI Express Capability Registers (Offsets 68h – A0h)
- NT Port Link Interface Vendor-Specific Capability 3 Registers (Offsets C8h – FCh)
- NT Port Link Interface Device Serial Number Extended Capability Registers (Offsets 100h – 134h)
- NT Port Link Interface Power Budget Extended Capability Registers (Offsets 138h – 144h)
- NT Port Link Interface Virtual Channel Extended Capability Registers (Offsets 148h – 1A4h)
- NT Port Link Interface Device-Specific Registers – Vendor-Specific Extended Capability 2 (Offsets 950h – 95Ch)
- NT Port Link Interface Device-Specific Registers – Vendor-Specific Extended Capability 4 (Offsets C34h – C88h)
- NT Port Link Interface Advanced Error Reporting Extended Capability Registers (Offsets FB4h – FDCh)

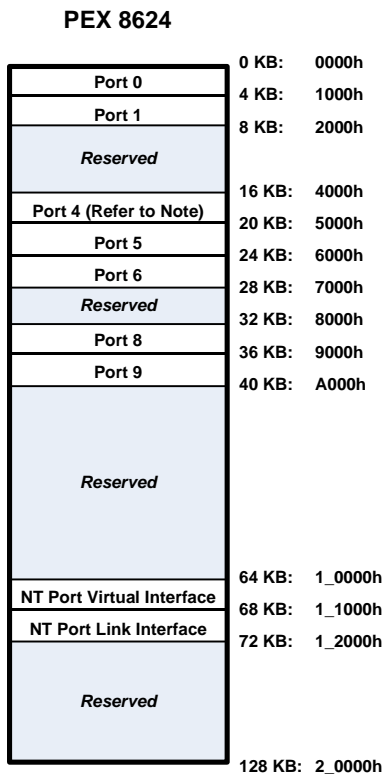
15.3.2 Device-Specific Memory-Mapped Configuration Mechanism

The Device-Specific Memory-Mapped Configuration mechanism provides a method to access the registers for all Ports within a single 128-KB Memory map, as illustrated in Figure 15-1. This Memory map is identical for Upstream Port **BAR0/1**, NT Port Virtual Interface **BAR0/1**, and NT Port Link Interface **BAR0/1**. The registers of each Port are located within a 4-KB range.

When the NT Port is enabled at Fundamental Reset, the NT Port Virtual and Link Interface registers use the *PCI r3.0* Type 0 Configuration Space Header.

To use this mechanism, use the [PCI r3.0-Compatible Configuration Mechanism](#) to program the PEX 8624 upstream Port **Base Address 0** and **Base Address 1** registers (**BAR0** and **BAR1**, offsets **10h** and **14h**, respectively). After the PEX 8624 NT Port Link Interface Memory-Mapped register Base address is Set, the PEX 8624 Configuration Space registers are accessed, using Memory Reads and Writes to the 4-KB range, starting at offset 64 KB (1_0000h, Virtual Interface) and offset 68 KB (1_1000h, Link Interface).

Figure 15-1. NT Mode Configuration Register Mapping to Memory-Mapped BAR



Note: Port 4 does not connect to a downstream device; therefore, no Memory nor I/O resources should be defined in Port 4 registers.

15.3.3 Device-Specific Cursor Mechanism

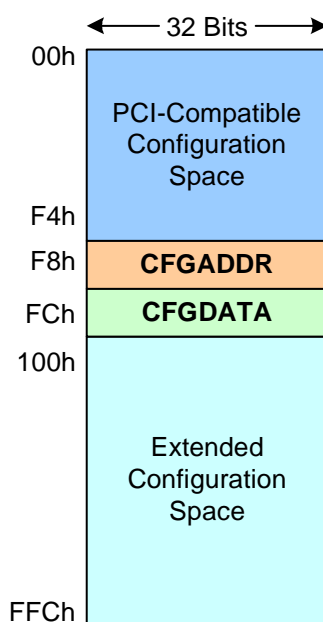
The Device-Specific Cursor mechanism is provided for use in development systems that can only generate *PCI r3.0* Configuration cycles (*that is*, the system cannot use either the [Device-Specific Memory-Mapped Configuration Mechanism](#), nor generate Extended Configuration Requests to access the Extended Configuration Space).

In [Figure 15-2](#), the software uses the **Configuration Address Window** (CFGADDR) register (offset F8h) to select the NT Port Link or Virtual Interface Configuration Space registers, including the PCI Express Extended Configuration Space registers (offsets 100h through FFFh).

Software uses the **Configuration Data Window** (CFGDATA) register (offset FCh) to write to or read from the selected Configuration Space registers.

Refer to [Section 15.10](#), “NT Port Link Interface Vendor-Specific Capability 3 Registers (Offsets C8h – FCh),” for the register descriptions.

Figure 15-2. Configuration Space View



15.4 Register Descriptions

The remainder of this chapter details the PEX 8624 NT Port Link Interface registers, including:

- Bit/field names
- Description of register functions in the PEX 8624 NT Port Link and Virtual Interfaces
- Type (*such as* RW or HwInit; refer to [Table 12-5](#), “Register Types, Grouped by User Accessibility,” for Type descriptions)
- Whether the power-on/reset value can be modified, by way of the PEX 8624 serial EEPROM and/or I²C Initialization feature
- Default power-on/reset value

15.5 NT Port Link Interface PCI-Compatible Type 0 Configuration Header Registers (Offsets 00h – 3Ch)

This section details the NT Port Link Interface PCI-Compatible Type 0 Configuration Header registers. Table 15-2 defines the register map.

Table 15-2. NT Port Link Interface PCI-Compatible Type 0 Configuration Header Register Map

| | | | | | | | | | | | | | | | | | | | | | | | | | | | | | | | | |
|---|--|--|--|--|-----------------|--|--|---------------------------|--|--|--|--|--|--|-----------------|---------------------|--|--|--|-----|--|--|--|--------------------|--------------------------|--|--|--|--|--|--|-----|
| 31 30 29 28 27 26 25 24 23 22 21 20 19 18 17 16 | | | | | | | | | | 15 14 13 12 11 10 9 8 7 6 5 4 3 2 1 0 | | | | | | | | | | | | | | | | | | | | | | |
| Device ID | | | | | | | | | | Vendor ID | | | | | | | | | | 00h | | | | | | | | | | | | |
| PCI Status | | | | | | | | | | PCI Command | | | | | | | | | | 04h | | | | | | | | | | | | |
| PCI Class Code | | | | | | | | | | | | | | | PCI Revision ID | | | | | 08h | | | | | | | | | | | | |
| PCI BIST <i>(Not Supported)</i> | | | | | PCI Header Type | | | | | Master Latency Timer <i>(Not Supported)</i> | | | | | Cache Line Size | | | | | 0Ch | | | | | | | | | | | | |
| Base Address 0 | | | | | | | | | | | | | | | | | | | | | | | | | | | | | | | | 10h |
| Base Address 1 | | | | | | | | | | | | | | | | | | | | | | | | | | | | | | | | 14h |
| Base Address 2 | | | | | | | | | | | | | | | | | | | | | | | | | | | | | | | | 18h |
| Base Address 3 | | | | | | | | | | | | | | | | | | | | | | | | | | | | | | | | 1Ch |
| Base Address 4 | | | | | | | | | | | | | | | | | | | | | | | | | | | | | | | | 20h |
| Base Address 5 | | | | | | | | | | | | | | | | | | | | | | | | | | | | | | | | 24h |
| <i>Reserved</i> | | | | | | | | | | | | | | | | | | | | | | | | | | | | | | | | 28h |
| Subsystem ID | | | | | | | | | | | | | | | | Subsystem Vendor ID | | | | | | | | | | | | | | | | 2Ch |
| Expansion ROM Base Address | | | | | | | | | | | | | | | | | | | | | | | | | | | | | | | | 30h |
| <i>Reserved</i> | | | | | | | | | | | | | | | | | | | | | | | | | Capability Pointer (40h) | | | | | | | 34h |
| <i>Reserved</i> | | | | | | | | | | | | | | | | | | | | | | | | | | | | | | | | 38h |
| Max_Lat <i>(Reserved)</i> | | | | | | | | Min_Gnt <i>(Reserved)</i> | | | | | | | | PCI Interrupt Pin | | | | | | | | PCI Interrupt Line | | | | | | | | 3Ch |

Register 15-1. 00h PCI Configuration ID

| Bit(s) | Description | Type | Serial EEPROM and I ² C | Default |
|--------|---|------|------------------------------------|---------|
| 15:0 | Vendor ID Identifies the device manufacturer. Defaults to the PCI-SIG-issued Vendor ID of PLX (10B5h), if not overwritten by serial EEPROM and/or I ² C. | RO | Yes | 10B5h |
| 31:16 | Device ID Identifies the particular device. Defaults to the PLX part number for the PEX 8624, if not overwritten by serial EEPROM and/or I ² C. | RO | Yes | 8624h |

Register 15-2. 04h PCI Command/Status

| Bit(s) | Description | Type | Serial EEPROM and I ² C | Default |
|--------------------|---|-------|------------------------------------|---------|
| PCI Command | | | | |
| 0 | I/O Access Enable The NT Port Link Interface ignores the value of this register, because it does <i>not support</i> I/O resources. | RW | Yes | 0 |
| 1 | Memory Access Enable 0 = PEX 8624 ignores Memory Space Requests received on the NT Port Link Interface 1 = PEX 8624 accepts Memory Space Requests received on the NT Port Link Interface | RW | Yes | 0 |
| 2 | Bus Master Enable Controls PEX 8624 forwarding of Memory Requests upstream. Does not affect Message forwarding nor Completions. 0 = PEX 8624 handles Memory Requests received on the NT Port Virtual Interface as Unsupported Requests (URs); for Non-Posted Requests, the PEX 8624 returns a Completion with UR Completion status 1 = PEX 8624 forwards Memory Requests from the NT Port Virtual Interface to the NT Port Link Interface | RW | Yes | 0 |
| 3 | Special Cycle Enable <i>Not supported</i> Cleared, as required by the <i>PCI Express Base r2.0</i> . | RsvdP | No | 0 |
| 4 | Memory Write and Invalidate Enable <i>Not supported</i> Cleared, as required by the <i>PCI Express Base r2.0</i> . | RsvdP | No | 0 |
| 5 | VGA Palette Snoop <i>Not supported</i> Cleared, as required by the <i>PCI Express Base r2.0</i> . | RsvdP | No | 0 |
| 6 | Parity Error Response Enable Controls bit 24 (<i>Master Data Parity Error Detected</i>). | RW | Yes | 0 |
| 7 | IDSEL Stepping/Wait Cycle Control <i>Not supported</i> Cleared, as required by the <i>PCI Express Base r2.0</i> . | RsvdP | No | 0 |
| 8 | SERR# Enable Controls bit 30 (<i>Signaled System Error</i>). 1 = Enables reporting of Fatal and Non-Fatal errors detected by the NT Port Link Interface to the Root Complex | RW | Yes | 0 |
| 9 | Fast Back-to-Back Transactions Enable <i>Not supported</i> Cleared, as required by the <i>PCI Express Base r2.0</i> . | RsvdP | No | 0 |
| 10 | Interrupt Disable 0 = NT Port Link Interface is enabled to generate INT _x Interrupt Messages 1 = NT Port Link Interface is prevented from generating INT _x Interrupt Messages | RW | Yes | 0 |
| 15:11 | Reserved | RsvdP | No | 00h |

Register 15-2. 04h PCI Command/Status (Cont.)

| Bit(s) | Description | Type | Serial EEPROM and I ² C | Default |
|-------------------|--|-------|------------------------------------|---------|
| PCI Status | | | | |
| 18:16 | <i>Reserved</i> | RsvdP | No | 000b |
| 19 | Interrupt Status 0 = No INTx interrupt is pending 1 = INTx interrupt is pending internally to the NT Port Link Interface –or– PEX_INTA# (if enabled) is asserted | RO | No | 0 |
| 20 | Capability List Capability function is supported. Set, as required by the <i>PCI Express Base r2.0</i> . | RO | Yes | 1 |
| 21 | 66 MHz Capable Cleared, as required by the <i>PCI Express Base r2.0</i> . | RsvdP | No | 0 |
| 22 | <i>Reserved</i> | RsvdP | No | 0 |
| 23 | Fast Back-to-Back Transactions Capable <i>Not supported</i> Cleared, as required by the <i>PCI Express Base r2.0</i> . | RsvdP | No | 0 |
| 24 | Master Data Parity Error Detected If bit 6 (Parity Error Response Enable) is Set, the NT Port Link Interface Sets this bit when the NT Port: <ul style="list-style-type: none"> Forwards the poisoned Transaction Layer Packet (TLP) Write Request from the NT Port Virtual Interface to the NT Port Link Interface, –or– Receives a Completion marked as poisoned on the NT Port Link Interface If the Parity Error Response Enable bit is Cleared, the PEX 8624 never Sets this bit. This error is natively reported by the Uncorrectable Error Status register Poisoned TLP Status bit (offset FB8h[12]), which is mapped to this bit for Conventional PCI backward compatibility. | RW1C | Yes | 0 |
| 26:25 | DEVSEL# Timing <i>Not supported</i> Always Cleared. | RsvdP | No | 00b |
| 27 | Signaled Target Abort The NT Port Link Interface Sets this bit if any of the following conditions exist: <ul style="list-style-type: none"> NT Port Link Interface receives a Completion (from the Local Host) that has a Completion status of Completer Abort (CA), –or– NT Port Link Interface receives a Memory Request targeting a PEX 8624 register, and the Payload Length (indicated within the Memory Request Header) is greater than 1 DWord NT Port Link Interface receives a Memory Request targeting a PEX 8624 register address within a non-existent Port NT Port Link Interface receives a Memory Write Request targeting enabled Expansion ROM Address space (Expansion ROM Base Address Register (BAR), offset 30h) Note: When Set during a forwarded Completion, the Uncorrectable Error Status register Completer Abort Status bit (offset FB8h[15]) is not updated, because the NT Port does not log the corresponding Requests that it forwards. | RW1C | Yes | 0 |

Register 15-2. 04h PCI Command/Status (Cont.)

| Bit(s) | Description | Type | Serial EEPROM and I ² C | Default |
|--------|--|-------|------------------------------------|---------|
| 28 | Received Target Abort Defaults to 0, as required by the <i>PCI Express Base r2.0</i> . | RsvdP | No | 0 |
| 29 | Received Master Abort Defaults to 0, as required by the <i>PCI Express Base r2.0</i> . | RsvdP | No | 0 |
| 30 | Signaled System Error If bit 8 (<i>SERR# Enable</i>) is Set, the NT Port Link Interface Sets this bit when transmitting an ERR_FATAL or ERR_NONFATAL Message to its upstream device. This error is natively reported by the Device Status register <i>Fatal Error Detected</i> and <i>Non-Fatal Error Detected</i> bits (offset 70h[18:17], respectively), which are mapped to this bit for Conventional PCI backward compatibility. | RW1C | Yes | 0 |
| 31 | Detected Parity Error The NT Port Link Interface Sets this bit when receiving a Poisoned TLP, regardless of the bit 6 (<i>Parity Error Response Enable</i>) state. This error is natively reported by the Uncorrectable Error Status register <i>Poisoned TLP Status</i> bit (offset FB8h[12]), which is mapped to this bit for Conventional PCI backward compatibility. | RW1C | Yes | 0 |

Register 15-3. 08h PCI Class Code and Revision ID

| Bit(s) | Description | Type | Serial EEPROM and I ² C | Default |
|------------------------|---|------|------------------------------------|------------------|
| PCI Revision ID | | | | |
| 7:0 | Revision ID Unless overwritten by the serial EEPROM, returns the Silicon Revision (AAh, ABh, or BBh), the PLX-assigned Revision ID for this version of the PEX 8624. The PEX 8624 Serial EEPROM register Initialization capability is used to replace the PLX Revision ID with another Revision ID. | RO | Yes | AAh, ABh, or BBh |
| PCI Class Code | | | | 068000h |
| 15:8 | Register-Level Programming Interface Cleared, as required by the <i>PCI r3.0</i> for other bridge devices. | RO | Yes | 00h |
| 23:16 | Sub-Class Code Other bridge devices. | RO | Yes | 80h |
| 31:24 | Base Class Code Bridge devices. | RO | Yes | 06h |

Register 15-4. 0Ch Miscellaneous Control

| Bit(s) | Description | Type | Serial EEPROM and I ² C | Default |
|-----------------------------|---|-------|------------------------------------|---------|
| Cache Line Size | | | | |
| 7:0 | Cache Line Size System Cache Line Size. Implemented as a RW field for Conventional PCI compatibility purposes and does not impact PEX 8624 functionality. | RW | Yes | 00h |
| Master Latency Timer | | | | |
| 15:8 | Master Latency Timer <i>Not supported</i> Cleared, as required by the <i>PCI Express Base r2.0</i> . | RsvdP | No | 00h |
| PCI Header Type | | | | |
| 22:16 | Configuration Layout Type Type 0 Configuration Header for the NT Port. | RO | Yes | 00h |
| 23 | Multi-Function Device 0 = Single-function device 1 = Indicates multiple (up to eight) functions (logical devices), each containing its own, individually addressable Configuration Space, 256 DWords in size | RO | Yes | 0 |
| PCI BIST | | | | |
| 31:24 | PCI BIST <i>Not supported</i> Built-In Self-Test (BIST) Pass or Fail. | RsvdP | No | 00h |

Register 15-5. 10h Base Address 0 (NT Port Link Interface Memory Space)

| Bit(s) | Description | Type | Serial EEPROM and I ² C | Default |
|---|--|-------|------------------------------------|---------|
| <p>Note: By default, NT Port Link Interface BAR0 is enabled and BAR1 is disabled, to provide a 32-bit BAR0 for register access. BAR1 can be enabled (by serial EEPROM or I²C), to provide a 64-bit BAR0/I, by programming the NT Port Link Interface BAR0/I Setup register BAR0/I Enable field (NT Port Link Interface, offset E4h[1:0]) to 11b (which enables both BAR0 and BAR1).</p> | | | | |
| 0 | <p>Memory Space Indicator</p> <p>When enabled, the Base Address register maps PEX 8624 Port Configuration registers into Memory space.</p> <p>Note: Hardwired to 0.</p> | RO | No | 0 |
| 2:1 | <p>Memory Map Type</p> <p>00b = Base Address register is 32 bits wide and can be mapped anywhere in the 32-bit Memory space</p> <p>10b = Base Address register is 64 bits wide and can be mapped anywhere in the 64-bit Address space</p> <p>All other encodings are <i>reserved</i>.</p> | RO | Yes | 00b |
| 3 | <p>Prefetchable</p> <p>0 = Base Address register maps the PEX 8624 Port Configuration registers into Non-Prefetchable Memory space</p> | RO | Yes | 0 |
| 16:4 | Reserved | RsvdP | No | 0-0h |
| 31:17 | <p>Base Address 0</p> <p>128-KB-aligned Base address used for Memory-Mapped access to the 128-KB block of all PEX 8624 registers (4 KB, per Port).</p> | RW | Yes | 0-0h |

Register 15-6. 14h Base Address 1 (NT Port Link Interface Memory Space)

| Bit(s) | Description | Type | Serial EEPROM and I ² C | Default |
|--------|--|------|------------------------------------|------------|
| 31:0 | <p>Upper 32-Bit Address for Memory-Mapped BAR</p> <p>For 64-bit addressing (BAR0/I), Base Address 1 (BAR1) extends Base Address 0 (BAR0) to provide the upper 32 Address bits when the Base Address 0 register Memory Map Type field (offset 10h[2:1]) is programmed to 10b.</p> | RW | Yes | 0000_0000h |
| | <p>Read-Only when the Base Address 0 (BAR0) register is not enabled as a 64-bit BAR (Memory Map Type field (offset 10h[2:1]) is not programmed to 10b).</p> | RO | Yes | 0000_0000h |

Register 15-7. 18h Base Address 2 (NT Port Link Interface Memory Space)

| Bit(s) | Description | Type | Serial EEPROM and I ² C | Default |
|--------|--|-------|------------------------------------|---------|
| 0 | Memory Space Indicator 0 = Implemented as a Memory BAR | RO | No | 0 |
| 2:1 | Memory Map Type 00b = Base Address register is 32 bits wide and can be mapped anywhere in the 32-bit Memory space 10b = Base Address register is 64 bits wide and can be mapped anywhere in the 64-bit Address space All other encodings are <i>reserved</i> . | RO | Yes | 00b |
| 3 | Prefetchable 0 = Non-Prefetchable 1 = Prefetchable | RO | Yes | 0 |
| 19:4 | <i>Reserved</i> | RsvdP | No | 0_000h |
| 31:20 | Base Address 2 | RW | Yes | 000h |

Register 15-8. 1Ch Base Address 3 (NT Port Link Interface Memory Space)

| Bit(s) | Description | Type | Serial EEPROM and I ² C | Default | |
|--|---|---------------------|------------------------------------|---------|--------|
| <i>Note: This register has RW privilege if BAR2/3 is configured as a 64-bit BAR (Base Address 2 register Memory Map Type field (NT Port Link Interface, offset 18h[2:1]), is programmed to 10b).</i> | | | | | |
| 0 | Memory Space Indicator BAR3 can be used as an independent 32-bit only BAR, or as the upper 32 bits of 64-bit BAR2/3 . 0 = Implemented as a Memory BAR in 32-Bit mode | Offset 18h[2:1]=00b | RsvdP | No | 0 |
| | | Offset 18h[2:1]=10b | RW | Yes | 0 |
| 2:1 | Memory Map Type 00b = Base Address register is 32 bits wide and can be mapped anywhere in the 32-bit Memory space All other encodings are <i>reserved</i> . | Offset 18h[2:1]=00b | RsvdP | No | 00b |
| | | Offset 18h[2:1]=10b | RW | Yes | 00b |
| 3 | Prefetchable 0 = Non-Prefetchable 1 = Prefetchable | Offset 18h[2:1]=00b | RsvdP | No | 0 |
| | | Offset 18h[2:1]=10b | RW | Yes | 0 |
| 19:4 | <i>Reserved</i> When BAR2/3 are used as a 64-bit BAR, bits [31:0] (including bits [19:4]) are used as the upper 32 bits. | Offset 18h[2:1]=00b | RsvdP | No | 0_000h |
| | | Offset 18h[2:1]=10b | RW | Yes | 0_000h |
| 31:20 | Base Address 3 | RW | Yes | 000h | |

Register 15-9. 20h Base Address 4 (NT Port Link Interface Memory Space)

| Bit(s) | Description | Type | Serial EEPROM and I ² C | Default |
|--------|--|-------|------------------------------------|---------|
| 0 | Memory Space Indicator 0 = Implemented as a Memory BAR; otherwise, <i>reserved</i> | RO | No | 0 |
| 2:1 | Memory Map Type 00b = Base Address register is 32 bits wide and can be mapped anywhere in the 32-bit Memory space 10b = Base Address register is 64 bits wide and can be mapped anywhere in the 64-bit Address space All other encodings are <i>reserved</i> . | RO | Yes | 00b |
| 3 | Prefetchable 0 = Non-Prefetchable 1 = Prefetchable | RO | Yes | 0 |
| 19:4 | <i>Reserved</i> | RsvdP | No | 0_000h |
| 31:20 | Base Address 4 | RW | Yes | 000h |

Register 15-10. 24h Base Address 5 (NT Port Link Interface Memory Space)

| Bit(s) | Description | Type | Serial EEPROM and I ² C | Default | |
|--|---|---------------------|------------------------------------|---------|--------|
| <i>Note: This register has RW privilege if BAR4/5 is configured as a 64-bit BAR (Base Address 4 register Memory Map Type field (NT Port Link Interface, offset 20h[2:1]), is programmed to 10b).</i> | | | | | |
| 0 | Memory Space Indicator BAR5 can be used as an independent 32-bit only BAR, or as the upper 32 bits of 64-bit BAR4/5 . 0 = Implemented as a Memory BAR in 32-Bit mode | Offset 20h[2:1]=00b | RsvdP | No | 0 |
| | | Offset 20h[2:1]=10b | RW | Yes | 0 |
| 2:1 | Memory Map Type 00b = Base Address register is 32 bits wide and can be mapped anywhere in the 32-bit Memory space All other encodings are <i>reserved</i> . | Offset 20h[2:1]=00b | RsvdP | No | 00b |
| | | Offset 20h[2:1]=10b | RW | Yes | 00b |
| 3 | Prefetchable 0 = Non-Prefetchable 1 = Prefetchable | Offset 20h[2:1]=00b | RsvdP | No | 0 |
| | | Offset 20h[2:1]=10b | RW | Yes | 0 |
| 19:4 | <i>Reserved</i> When BAR4/5 are used as a 64-bit BAR, bits [31:0] (including bits [19:4]) are used as the upper 32 bits. | Offset 20h[2:1]=00b | RsvdP | No | 0_000h |
| | | Offset 20h[2:1]=10b | RW | Yes | 0_000h |
| 31:20 | Base Address 5 | RW | Yes | 000h | |

Register 15-11. 2Ch Subsystem ID and Subsystem Vendor ID

| Bit(s) | Description | Type | Serial EEPROM and I ² C | Default |
|----------------------------|---|------|------------------------------------|---------|
| Subsystem Vendor ID | | | | |
| 15:0 | Subsystem Vendor ID Identifies the device manufacturer. Defaults to the PCI-SIG-issued Vendor ID of PLX (10B5h), if not overwritten by serial EEPROM and/or I ² C. | RO | Yes | 10B5h |
| Subsystem ID | | | | |
| 31:16 | Subsystem ID Identifies the particular device. Defaults to the PLX part number for the PEX 8624, if not overwritten by serial EEPROM and/or I ² C. | RO | Yes | 8624h |

Register 15-12. 30h Expansion ROM Base Address

| Bit(s) | Description | Type | Serial EEPROM and I ² C | Default | |
|--|--|--|------------------------------------|---------|------|
| <i>Note: Expansion ROM can be enabled in either the NT Port Link or Virtual Interface, but not both simultaneously. Expansion ROM is enabled, by default, in the NT Port Link Interface (Ingress Control register <i>Expansion ROM Virtual Side</i> bit (Port 0, and also NT Port Virtual Interface if Port 0 is the NT Port, offset 660h[23]) is Cleared).</i> | | | | | |
| 0 | Expansion ROM Enable 0 = NT Port Link Interface Expansion ROM is disabled 1 = NT Port Link Interface Expansion ROM is enabled, and NT Port Virtual Interface Expansion ROM is disabled | NT Port Virtual Interface, offset 30h[0]=1 | RsvdP | No | 0 |
| | | NT Port Virtual Interface, offset 30h[0]=0 | RO | Yes | 0 |
| | | NT Port Virtual Interface, offset 30h[0]=1 | RsvdP | No | 0 |
| 13:1 | Reserved | RsvdP | No | 0-0h | |
| 31:14 | Expansion ROM Base Address If the Serial EEPROM Clock Frequency register <i>Expansion ROM Size</i> bit (Port 0, and also NT Port Virtual Interface if Port 0 is the NT Port, offset 268h[16]) value is 0, the Expansion ROM size is 16 KB (default value is FFFF_C001h). Bit 14 is RW. If the <i>Expansion ROM Size</i> bit value is 1, the Expansion ROM size is 32 KB (default value is FFFF_8001h). Bit 14 is RO. | When Bit 0 = 0 | RsvdP | No | 0-0h |
| | | When Bit 0 = 1 | RW | Yes | 0-0h |

Register 15-13. 34h Capability Pointer

| Bit(s) | Description | Type | Serial EEPROM and I ² C | Default |
|--------|--|-------|------------------------------------|----------|
| 7:0 | Capability Pointer Default 40h points to the PCI Power Management Capability structure. | RO | Yes | 40h |
| 31:8 | <i>Reserved</i> | RsvdP | No | 0000_00h |

Register 15-14. 3Ch PCI Interrupt

| Bit(s) | Description | Type | Serial EEPROM and I ² C | Default |
|--------|---|-------|------------------------------------|---------|
| 7:0 | PCI Interrupt Line The Interrupt Line Routing Value communicates interrupt line routing information. Values in this register are programmed by system software and are system architecture-specific. The value is used by device drivers and operating systems. | RW | Yes | 00h |
| 15:8 | PCI Interrupt Pin Identifies the Conventional PCI Interrupt Message(s) the device (or device function) uses. Only value 00h or 01h is allowed in the PEX 8624. 00h = Indicates that the device does not use Conventional PCI Interrupt Message(s) 01h, 02h, 03h, and 04h = Maps to Conventional PCI Interrupt Messages for INTA#, INTB#, INTC#, and INTD#, respectively | RO | Yes | 01h |
| 23:16 | Min_Gnt Minimum Grant. <i>Reserved</i> Does not apply to PCI Express. | RsvdP | No | 00h |
| 31:24 | Max_Lat Maximum Latency. <i>Reserved</i> Does not apply to PCI Express. | RsvdP | No | 00h |

15.6 NT Port Link Interface PCI Power Management Capability Registers (Offsets 40h – 44h)

This section details the NT Port Link Interface PCI Power Management Capability registers. [Table 15-3](#) defines the register map.

Table 15-3. NT Port Link Interface PCI Power Management Capability Register Map

| | | | |
|---------------------------------|---|--|--|
| 31 30 29 28 27 26 25 24 | 23 22 21 20 19 18 17 16 | 15 14 13 12 11 10 9 8 7 6 5 4 3 2 1 0 | |
| PCI Power Management Capability | | Next Capability Pointer (48h) | Capability ID (01h) 40h |
| PCI Power Management Data | PCI Power Management Control/Status Bridge Extensions (<i>Reserved</i>) | PCI Power Management Status and Control 44h | |

Register 15-15. 40h PCI Power Management Capability

| Bit(s) | Description | Type | Serial EEPROM and I ² C | Default |
|--------|---|-------|------------------------------------|---------|
| 7:0 | Capability ID Default = 01h – only value allowed. | RO | Yes | 01h |
| 15:8 | Next Capability Pointer Default 48h points to the MSI Capability structure. | RO | Yes | 48h |
| 18:16 | Version Default = 011b – only value allowed. | RO | Yes | 011b |
| 19 | PME Clock Power Management Event (PME) clock. Does not apply to PCI Express. Returns 0. | RsvdP | No | 0 |
| 20 | <i>Reserved</i> | RsvdP | No | 0 |
| 21 | Device-Specific Initialization Default 0 indicates that Device-Specific Initialization is <i>not</i> required. | RO | Yes | 0 |
| 24:22 | AUX Current The PEX 8624 does <i>not support</i> PME generation from the D3cold Device Power Management (PM) state; therefore, the serial EEPROM value for this field should be 000b. | RO | Yes | 000b |
| 25 | D1 Support <i>Not supported</i> Default value of 0 indicates that the PEX 8624 does <i>not support</i> the D1 Device PM state. | RsvdP | No | 0 |
| 26 | D2 Support <i>Not supported</i> Default value of 0 indicates that the PEX 8624 does <i>not support</i> the D2 Device PM state. | RsvdP | No | 0 |
| 31:27 | PME Support The default value is applied to bits [31, 30, and 27] only. PME Messages are disabled, by default. | RO | Yes | 0000_0b |

Register 15-16. 44h PCI Power Management Status and Control

| Bit(s) | Description | Type | Serial EEPROM and I ² C | Default |
|--|--|-------|------------------------------------|---------|
| PCI Power Management Status and Control | | | | |
| 1:0 | <p>Power State Used to determine the Port's current Device PM state, and to Set the Port into a new Device PM state.</p> <p>00b = D0 01b = D1 – <i>Not supported</i> 10b = D2 – <i>Not supported</i> 11b = D3hot</p> <p>If software attempts to write an unsupported state to this field, the Write operation completes normally; however, the data is discarded and no state change occurs.</p> | RW | Yes | 00b |
| 2 | Reserved | RsvdP | No | 0 |
| 3 | <p>No Soft Reset 1 = Devices transitioning from the D3hot to D0 Device PM state, because of Power State commands, do not perform an internal reset</p> | RO | Yes | 1 |
| 7:4 | Reserved | RsvdP | No | 0h |
| 8 | <p>PME Enable Default value of 0 indicates that PME generation is disabled.</p> | RsvdP | No | 0 |
| 12:9 | <p>Data Select Initially writable by serial EEPROM and/or I²C only^a. This Configuration Space register (CSR) access privilege changes to RW after a Serial EEPROM or I²C Write occurs to this register. Selects the Data and Data Scale registers (fields [31:24 and 14:13], respectively).</p> <p>0h = D0 power consumed 3h = D3hot power consumed 4h = D0 power dissipated 7h = D3hot power dissipated</p> <p>All other encodings are <i>reserved</i>.</p> | RO | Yes | 0h |
| 14:13 | <p>Data Scale Writable by serial EEPROM and/or I²C only^a. Indicates the scaling factor to be used when interpreting the Data register value. The value and meaning of this field varies, depending upon which data value is selected by field [12:9] (<i>Data Select</i>). There are four internal Data Scale registers (one each, per <i>Data Select</i> values 0h, 3h, 4h, and 7h). For other <i>Data Select</i> values, the Data Scale value returned is 0h.</p> | RO | Yes | 00b |
| 15 | <p>PME Status 0 = PME is not being generated by the NT Port</p> | RsvdP | No | 0 |

Register 15-16. 44h PCI Power Management Status and Control (Cont.)

| Bit(s) | Description | Type | Serial EEPROM and I ² C | Default |
|--|--|-------|------------------------------------|---------|
| PCI Power Management Control/Status Bridge Extensions | | | | |
| 21:16 | <i>Reserved</i> | RsvdP | No | 0-0h |
| 22 | B2/B3 Support <i>Reserved</i> Cleared, as required by the <i>PCI Power Mgmt. r1.2</i> . | RsvdP | No | 0 |
| 23 | Bus Power/Clock Control Enable <i>Reserved</i> Cleared, as required by the <i>PCI Power Mgmt. r1.2</i> . | RsvdP | No | 0 |
| PCI Power Management Data | | | | |
| 31:24 | Data Writable by serial EEPROM and/or I ² C only ^a . There are four supported <i>Data Select</i> values (0h, 3h, 4h, and 7h). For other <i>Data Select</i> values, the Data Scale value returned is 0h. Selected by field [12:9] (<i>Data Select</i>). | RO | Yes | 00h |

a. *With no serial EEPROM nor previous I²C programming, Reads return 00h for the **Data** and **Data Scale** registers (for all Data Selects).*

15.7 NT Port Link Interface MSI Capability Registers (Offsets 48h – 64h)

The registers detailed in [Section 12.8, “MSI Capability Registers \(Offsets 48h – 64h\),”](#) are also applicable to the NT Port Link Interface, except as defined in [Table 15-4](#) (register map), and [Register 15-17](#) through [Register 15-19](#).

Table 15-4. NT Port Link Interface MSI Capability Register Map^a

| 31 30 29 28 27 26 25 24 23 22 21 20 19 18 17 16 | | | | | | | | | | | | | | | | 15 14 13 12 11 10 9 8 7 6 5 4 3 2 1 0 | | | | | | | | | | | | | | | | | | | | | | | | | | | | | | | | |
|---|--|--|--|--|--|--|--|--|--|--|--|--|--|--|--|---------------------------------------|--|--|--|--|--|--|--|--|--|--|--|--|--|--|--|---------------------|--|--|--|--|--|--|--|--|--|--|--|--|--|--|--|-----|
| MSI Control | | | | | | | | | | | | | | | | Next Capability Pointer (68h) | | | | | | | | | | | | | | | | Capability ID (05h) | | | | | | | | | | | | | | | | 48h |
| MSI Address | | | | | | | | | | | | | | | | | | | | | | | | | | | | | | | | 4Ch | | | | | | | | | | | | | | | | |
| MSI Upper Address | | | | | | | | | | | | | | | | | | | | | | | | | | | | | | | | 50h | | | | | | | | | | | | | | | | |
| <i>Reserved</i> | | | | | | | | | | | | | | | | MSI Data | | | | | | | | | | | | | | | | 54h | | | | | | | | | | | | | | | | |
| MSI Mask | | | | | | | | | | | | | | | | | | | | | | | | | | | | | | | | 58h | | | | | | | | | | | | | | | | |
| MSI Status | | | | | | | | | | | | | | | | | | | | | | | | | | | | | | | | 5Ch | | | | | | | | | | | | | | | | |
| <i>Reserved</i> | | | | | | | | | | | | | | | | | | | | | | | | | | | | | | | | 60h – 64h | | | | | | | | | | | | | | | | |

- a. Offsets 54h, 58h, and 5Ch change to 50h, 54h, and 58h, respectively, when the **MSI Control** register **MSI 64-Bit Address Capable** bit (offset 48h[23]) is Cleared.

Register 15-17. 48h MSI Capability

| Bit(s) | Description | Type | Serial EEPROM and I ² C | Default |
|------------------------------|---|-------|------------------------------------|---------|
| MSI Capability Header | | | | |
| 7:0 | Capability ID Program to 05h, as required by the <i>PCI r3.0</i> . | RO | Yes | 05h |
| 15:8 | Next Capability Pointer Program to 68h, to point to the PCI Express Capability structure. | RO | Yes | 68h |
| MSI Control | | | | |
| 16 | MSI Enable 0 = MSIs for the NT Port Link Interface are disabled 1 = MSIs for the NT Port Link Interface are enabled, and INT _x Interrupt Messages and PEX_INTA# output assertion are disabled | RW | Yes | 0 |
| 19:17 | Multiple Message Capable 000b = NT Port Link Interface can request only one Vector 001b through 111b = NT Port Link Interface can request two Vectors | RO | Yes | 001b |
| 22:20 | Multiple Message Enable 000b = NT Port Link Interface is allocated one Vector, by default 001b through 111b = NT Port Link Interface is allocated two Vectors <i>Note: This field should not be programmed with a value larger than that of field [19:17] (Multiple Message Capable). If the value of this field is larger than that of field [19:17], the Multiple Message Capable value takes effect.</i> | RW | Yes | 000b |
| 23 | MSI 64-Bit Address Capable 0 = PEX 8624 is capable of generating MSI 32-bit addresses (MSI Address register, offset 4Ch, is the Message address) 1 = PEX 8624 is capable of generating MSI 64-bit addresses (MSI Address register, offset 4Ch, is the lower 32 bits of the Message address, and MSI Upper Address register, offset 50h, is the upper 32 bits of the Message address) | RO | Yes | 1 |
| 24 | Per Vector Masking Capable 0 = PEX 8624 does not have Per Vector Masking capability 1 = PEX 8624 has Per Vector Masking capability | RO | Yes | 1 |
| 31:25 | Reserved | RsvdP | No | 0-0h |

Register 15-18. 58h MSI Mask

| Bit(s) | Description | Type | Serial EEPROM and I ² C | Default | |
|---|---|------------------------|------------------------------------|---------|-----------|
| <p>The interrupt sources in the NT Port Link Interface are grouped into two categories – Power Management/Link State events and NT-Link Doorbell-generated interrupts.</p> <p>The number of allocated MSI Vectors is determined by the MSI Control register <i>Multiple Message Capable</i> and <i>Multiple Message Enable</i> fields (offset 48h[19:17 and 22:20], respectively). When the number of MSI Vectors that can be requested is:</p> <ul style="list-style-type: none"> • Two – Both interrupt categories generate their own MSI Vector • One – Both interrupt categories generate the same MSI Vector <p>Note: The offset for this register changes from 58h, to 54h, when the MSI Control register <i>MSI 64-Bit Address Capable</i> bit (offset 48h[23]) is Cleared.</p> <p>The bits in this register can be used to mask their respective MSI Status register bits (offset 5Ch).</p> | | | | | |
| 0 | MSI Mask for Link State Events MSI mask for Power Management event- or Link State event-generated interrupts. | Offset 48h[22:20]≥001b | RW | Yes | 0 |
| | MSI Mask for Shared Interrupt Sources MSI mask for both interrupt sources when the MSI Control register <i>Multiple Message Enable</i> field indicates that the Host has allocated one Vector. | Offset 48h[22:20]=000b | RsvdP | No | 0 |
| 2:1 | <i>Reserved</i> | | RsvdP | No | 00b |
| 3 | MSI Mask for NT-Link Doorbell-Generated Interrupts Refer to the NT Port registers located at offsets C5Ch through C68h. | Offset 48h[22:20]≥001b | RW | Yes | 0 |
| | <i>Reserved</i> | Offset 48h[22:20]=000b | RsvdP | No | 0 |
| 31:4 | <i>Reserved</i> | | RsvdP | No | 0000_000h |

Register 15-19. 5Ch MSI Status

| Bit(s) | Description | Type | Serial EEPROM and I ² C | Default | |
|--|--|------------------------|------------------------------------|---------|-----------|
| <p>The interrupt sources in the NT Port Link Interface are grouped into two categories – Power Management/Link State events and NT-Link Doorbell-generated interrupts.</p> <p>The number of allocated MSI Vectors is determined by the MSI Control register <i>Multiple Message Capable</i> and <i>Multiple Message Enable</i> fields (offset 48h[19:17 and 22:20], respectively). When the number of MSI Vectors that can be requested is:</p> <ul style="list-style-type: none"> • Two – Both interrupt categories generate their own MSI Vector • One – Both interrupt categories generate the same MSI Vector <p>Note: The offset for this register changes from 58h, to 54h, when the MSI Control register <i>MSI 64-Bit Address Capable</i> bit (offset 48h[23]) is Cleared.</p> <p>The bits in this register can be masked by their respective MSI Mask register bits (offset 58h).</p> | | | | | |
| 0 | <p>MSI Pending Status for Link State Events</p> <p>MSI pending status for Power Management event- or Link State event-generated interrupts.</p> | Offset 48h[22:20]≥001b | RO | Yes | 0 |
| | <p>MSI Pending Status for Shared Interrupt Sources</p> <p>MSI pending status for both interrupt sources when the MSI Control register <i>Multiple Message Enable</i> field indicates that the Host has allocated one Vector.</p> | Offset 48h[22:20]=000b | RsvdP | No | 0 |
| 2:1 | Reserved | | RsvdP | No | 00b |
| 3 | <p>MSI Pending Status for NT-Link Doorbell-Generated Interrupts</p> <p>Refer to the NT Port registers located at offsets C5Ch through C68h.</p> | Offset 48h[22:20]≥001b | RO | Yes | 0 |
| | Reserved | Offset 48h[22:20]=000b | RsvdP | No | 0 |
| 31:4 | Reserved | | RsvdP | No | 0000_000h |

15.8 NT Port Link Interface PCI Express Capability Registers (Offsets 68h – A0h)

The registers detailed in Section 12.9, “PCI Express Capability Registers (Offsets 68h – A0h),” are also applicable to the NT Port Link Interface, except as defined in Table 15-5 (register map; offsets 7Ch and 80h are *reserved*), and Register 15-20 through Register 15-25.

Table 15-5. NT Port Link Interface PCI Express Capability Register Map

| 31 30 29 28 27 26 25 24 23 22 21 20 19 18 17 16 | | | | | | | | | | | | | | | | 15 14 13 12 11 10 9 8 7 6 5 4 3 2 1 0 | | | | | | | | | | | | | | | | | | | | | | | | | | | | | | | | |
|---|--|--|--|--|--|--|--|--|--|--|--|--|--|--|--|---------------------------------------|--|--|--|--|--|--|--|--|--|--|--|--|--|--|--|---------------------|--|--|--|--|--|--|--|--|--|--|--|--|--|--|--|-----|
| PCI Express Capability | | | | | | | | | | | | | | | | Next Capability Pointer (A4h) | | | | | | | | | | | | | | | | Capability ID (10h) | | | | | | | | | | | | | | | | 68h |
| Device Capability | | | | | | | | | | | | | | | | | | | | | | | | | | | | | | | | 6Ch | | | | | | | | | | | | | | | | |
| Device Status | | | | | | | | | | | | | | | | <i>Not Supported/Reserved</i> | | | | | | | | | | | | | | | | Device Control | | | | | | | | | | | | | | | | 70h |
| Link Capability | | | | | | | | | | | | | | | | | | | | | | | | | | | | | | | | 74h | | | | | | | | | | | | | | | | |
| Link Status | | | | | | | | | | | | | | | | <i>Reserved</i> | | | | | | | | | | | | | | | | Link Control | | | | | | | | | | | | | | | | 78h |
| <i>Reserved</i> | | | | | | | | | | | | | | | | | | | | | | | | | | | | | | | | 7Ch – 88h | | | | | | | | | | | | | | | | |
| Device Capability 2 | | | | | | | | | | | | | | | | | | | | | | | | | | | | | | | | 8Ch | | | | | | | | | | | | | | | | |
| Device Status 2 (<i>Reserved</i>) | | | | | | | | | | | | | | | | Device Control 2 | | | | | | | | | | | | | | | | 90h | | | | | | | | | | | | | | | | |
| <i>Reserved</i> | | | | | | | | | | | | | | | | | | | | | | | | | | | | | | | | 94h | | | | | | | | | | | | | | | | |
| Link Status 2 | | | | | | | | | | | | | | | | Link Control 2 | | | | | | | | | | | | | | | | 98h | | | | | | | | | | | | | | | | |
| <i>Reserved</i> | | | | | | | | | | | | | | | | | | | | | | | | | | | | | | | | 9Ch – A0h | | | | | | | | | | | | | | | | |

Register 15-20. 68h PCI Express Capability List and Capability

| Bit(s) | Description | Type | Serial EEPROM and I ² C | Default |
|------------------------------------|---|-------|------------------------------------|---------------------|
| PCI Express Capability List | | | | |
| 7:0 | Capability ID Program to 10h, by default. | RO | Yes | 10h |
| 15:8 | Next Capability Pointer Program to A4h , to point to the Subsystem Capability structure. | RO | Yes | A4h |
| PCI Express Capability | | | | |
| 19:16 | Capability Version The PEX 8624 NT Port Link Interface programs this field to 2h, as required by the <i>PCI Express Base r2.0</i> . | RO | Yes | 2h |
| 23:20 | Device/Port Type Default = PCI Express endpoint device. | RO | No | 0h |
| 24 | Slot Implemented <i>Not valid for PCI Express endpoint devices</i> | RsvdP | No | 0 |
| 29:25 | Interrupt Message Number The serial EEPROM writes 00_000b, because the Base Message and MSI Messages are the same. | RO | Yes | 00_000b |
| 31:30 | Reserved | RsvdP | No | 00b |

Register 15-21. 6Ch Device Capability

| Bit(s) | Description | Type | Serial EEPROM and I ² C | Default |
|--------|---|--------|------------------------------------|---------|
| 2:0 | <p>Maximum Payload Size Supported The Maximum Payload Size for the NT Port Link Interface is 2,048 bytes.</p> <p>000b = NT Port Link Interface supports a 128-byte maximum payload 001b = NT Port Link Interface supports a 256-byte maximum payload 010b = NT Port Link Interface supports a 512-byte maximum payload 011b = NT Port Link Interface supports a 1,024-byte maximum payload 100b = NT Port Link Interface supports a 2,048-byte maximum payload No other encodings are supported.</p> | HwInit | Yes | 100b |
| 4:3 | <p>Phantom Functions Supported <i>Not supported</i></p> | RO | Yes | 00b |
| 5 | <p>Extended Tag Field Supported 0 = Maximum <i>Tag</i> field is 5 bits 1 = Maximum <i>Tag</i> field is 8 bits</p> | RO | Yes | 0 |
| 8:6 | <p>Endpoint L0s Acceptable Latency 111b = No Limit</p> | RO | Yes | 111b |
| 11:9 | <p>Endpoint L1 Acceptable Latency 111b = No Limit</p> | RO | Yes | 111b |
| 14:12 | <i>Reserved</i> | RsvdP | No | 000b |
| 15 | Role-Based Error Reporting | RO | Yes | 1 |
| 17:16 | <i>Reserved</i> | RsvdP | No | 00b |
| 25:18 | <p>Captured Slot Power Limit Value For the NT Port Link Interface, the upper limit on power supplied by the slot is determined by multiplying the value in this field by the value in field [27:26] (<i>Captured Slot Power Limit Scale</i>).</p> | RO | Yes | 00h |
| 27:26 | <p>Captured Slot Power Limit Scale For the NT Port Link Interface, the upper limit on power supplied by the slot is determined by multiplying the value in this field by the value in field [25:18] (<i>Captured Slot Power Limit Value</i>).</p> <p>00b = 1.0 01b = 0.1 10b = 0.01 11b = 0.001</p> | RO | Yes | 00b |
| 31:28 | <i>Reserved</i> | RsvdP | No | 0h |

Register 15-22. 70h Device Status and Control

| Bit(s) | Description | Type | Serial EEPROM and I ² C | Default |
|-----------------------|--|-------|------------------------------------|---------|
| Device Control | | | | |
| 0 | Correctable Error Reporting Enable 0 = Disables 1 = Enables the NT Port Link Interface to report Correctable errors to the System Host | RW | Yes | 0 |
| 1 | Non-Fatal Error Reporting Enable 0 = Disables 1 = Enables the NT Port Link Interface to report Non-Fatal errors to the System Host | RW | Yes | 0 |
| 2 | Fatal Error Reporting Enable 0 = Disables 1 = Enables the NT Port Link Interface to report Fatal errors to the System Host | RW | Yes | 0 |
| 3 | Unsupported Request Reporting Enable 0 = Disables 1 = Enables the NT Port Link Interface to report UR errors as Error Messages with a programmed uncorrectable error severity | RW | Yes | 0 |
| 4 | Enable Relaxed Ordering <i>Not supported</i> | RsvdP | No | 0 |
| 7:5 | Maximum Payload Size The NT Port Link Interface power-on/reset value is 000b, to support a Maximum Payload Size of 128 bytes. Software can change this field to configure the NT Port Link Interface to support other Payload sizes; however, software cannot change this field to a value larger than that indicated by the Device Capability register <i>Maximum Payload Size Supported</i> field (offset 6Ch[2:0]), for the NT Port Virtual and Link Interfaces. (Requester and Completer domains must possess the same Maximum Payload Size.) 000b = NT Port Link Interface supports a 128-byte maximum payload 001b = NT Port Link Interface supports a 256-byte maximum payload 010b = NT Port Link Interface supports a 512-byte maximum payload 011b = NT Port Link Interface supports a 1,024-byte maximum payload 100b = NT Port Link Interface supports a 2,048-byte maximum payload No other encodings are supported. <i>Note: Software must halt all transactions through the NT Port before changing this field.</i> | RW | Yes | 000b |
| 8 | Extended Tag Field Enable <i>Not supported</i> | RsvdP | No | 0 |
| 9 | Phantom Functions Enable <i>Not supported</i> | RsvdP | No | 0 |
| 10 | AUX Power PM Enable <i>Not supported</i> | RsvdP | No | 0 |
| 11 | Enable No Snoop <i>Not supported</i> | RsvdP | No | 0 |
| 14:12 | Maximum Read Request Size <i>Not supported</i> | RsvdP | No | 000b |
| 15 | Reserved | RsvdP | No | 0 |

Register 15-22. 70h Device Status and Control (Cont.)

| Bit(s) | Description | Type | Serial EEPROM and I ² C | Default |
|----------------------|---|-------|------------------------------------|---------|
| Device Status | | | | |
| 16 | <p>Correctable Error Detected Set when the NT Port Link Interface detects a Correctable error, regardless of the bit 0 (<i>Correctable Error Reporting Enable</i>) state.</p> <p>0 = NT Port Link Interface did not detect a Correctable error 1 = NT Port Link Interface detected a Correctable error</p> | RW1C | Yes | 0 |
| 17 | <p>Non-Fatal Error Detected Set when the NT Port Link Interface detects a Non-Fatal error, regardless of the bit 1 (<i>Non-Fatal Error Reporting Enable</i>) state.</p> <p>0 = NT Port Link Interface did not detect a Non-Fatal error 1 = NT Port Link Interface detected a Non-Fatal error</p> | RW1C | Yes | 0 |
| 18 | <p>Fatal Error Detected Set when the NT Port Link Interface detects a Fatal error, regardless of the bit 2 (<i>Fatal Error Reporting Enable</i>) state.</p> <p>0 = NT Port Link Interface did not detect a Fatal error 1 = NT Port Link Interface detected a Fatal error</p> | RW1C | Yes | 0 |
| 19 | <p>Unsupported Request Detected Set when the NT Port Link Interface detects a UR, regardless of the bit 3 (<i>Unsupported Request Reporting Enable</i>) state.</p> <p>0 = NT Port Link Interface did not detect a UR 1 = NT Port Link Interface detected a UR</p> | RW1C | Yes | 0 |
| 20 | <p>AUX Power Detected <i>Not supported</i> Initially Cleared.</p> | RsvdP | No | 0 |
| 21 | <p>Transactions Pending <i>Not supported</i> Because the PEX 8624 NT Port is a bridging device, it does not track Completion for the corresponding Non-Posted transactions. Therefore, the NT Port Link Interface does not implement Transactions Pending.</p> | RsvdP | No | 0 |
| 31:22 | Reserved | RsvdP | No | 0-0h |

Register 15-23. 74h Link Capability

| Bit(s) | Description | Type | Serial EEPROM and I ² C | Default |
|--------|---|------|------------------------------------|---|
| 3:0 | <p>Supported Link Speeds Indicates the NT Port Link Interface’s supported Link speed.</p> <p>0001b = 2.5 GT/s Link speed is supported 0010b = 5.0 GT/s and 2.5 GT/s Link speeds are supported</p> <p>All other encodings are <i>reserved</i>.</p> | RO | Yes | <p>0010b (STRAP_RESERVED17#=H)</p> <p>0001b (STRAP_RESERVED17#=L)</p> |
| 9:4 | <p>Maximum Link Width The PEX 8624 maximum Link width is x8 = 00_1000b. Actual maximum Link width is Set by the STRAP_STNx_PORTCFGx inputs.</p> <p>00_0000b = <i>Reserved</i> 00_0001b = x1 00_0010b = x2 00_0100b = x4 00_1000b = x8</p> <p>All other encodings are <i>not supported</i>.</p> | ROS | No | <p>Set by STRAP_STNx_PORTCFGx input levels, or by serial EEPROM value for the Port Configuration register <i>Port Configuration for Station x</i> bits (Port 0, and also NT Port Virtual Interface if Port 0 is the NT Port, offset 574h[5:0])</p> |
| 11:10 | <p>Active State Power Management (ASPM) Support Active State Link PM support. Indicates the level of ASPM supported by the Port.</p> <p>01b = L0s Link PM state entry is supported</p> <p>All other encodings are <i>reserved</i>.</p> | RO | Yes | 01b |

Register 15-23. 74h Link Capability (Cont.)

| Bit(s) | Description | Type | Serial EEPROM and I ² C | Default | | | | | | | | | |
|----------------|---|----------------|------------------------------------|---|-----|----------|---|-----|----------|---|-----|----|--|
| 14:12 | <p>L0s Exit Latency Indicates the L0s Link PM state exit latency for the given PCI Express Link. Value depends upon the Physical Layer Command and Status register <i>N_FTS Value</i> field (NT Port Virtual Interface, offset 220h[15:8]) value and Link speed. Exit latency is calculated, as follows:</p> <ul style="list-style-type: none"> • 2.5 GHz – Multiply <i>N_FTS Value</i> x 4 (4 symbol times in 1 N_FTS) x 4 ns (1 symbol time at 2.5 GT/s) • 5.0 GHz – Multiply <i>N_FTS Value</i> x 4 (4 symbol times in 1 N_FTS) x 2 ns (1 symbol time at 5.0 GT/s) <p>100b = NT Port Link Interface L0s Link PM state Exit Latency is 512 ns to less than 1 μs at 5.0 GT/s 101b = NT Port Link Interface L0s Link PM state Exit Latency is 1 μs to less than 2 μs at 2.5 GT/s All other encodings are <i>reserved</i>.</p> | RO | No | <p>100b (5.0 GT/s)</p> <p>101b (2.5 GT/s)</p> | | | | | | | | | |
| 17:15 | <p>L1 Exit Latency Indicates the L1 Link PM state exit latency for the given PCI Express Link. Value depends upon the Link speed.</p> <p>001b = NT Port Link Interface L1 Link PM state Exit Latency is 1 μs to less than 2 μs at 5.0 GT/s 010b = NT Port Link Interface L1 Link PM state Exit Latency is 2 μs to less than 4 μs at 2.5 GT/s All other encodings are <i>reserved</i>.</p> | RO | Yes | <p>001b (5.0 GT/s)</p> <p>010b (2.5 GT/s)</p> | | | | | | | | | |
| 18 | Clock Power Management | RO | Yes | 0 | | | | | | | | | |
| 23:19 | Reserved | RsvdP | No | 0-0h | | | | | | | | | |
| 31:24 | <p>Port Number The NT Port Number value is limited to the Station 0 Ports, and is selected by the STRAP_NT_UPSTRM_PORTSEL[1:0] Strapping inputs. All other encodings are <i>reserved</i>.</p> <table border="1"> <thead> <tr> <th>Register Value</th> <th>Strapping Input Value</th> <th>Port Number</th> </tr> </thead> <tbody> <tr> <td>00h</td> <td>00b (LL)</td> <td>0</td> </tr> <tr> <td>01h</td> <td>01b (LH)</td> <td>1</td> </tr> </tbody> </table> | Register Value | Strapping Input Value | Port Number | 00h | 00b (LL) | 0 | 01h | 01b (LH) | 1 | ROS | No | Set by STRAP_NT_UPSTRM_PORTSEL[1:0] input levels |
| Register Value | Strapping Input Value | Port Number | | | | | | | | | | | |
| 00h | 00b (LL) | 0 | | | | | | | | | | | |
| 01h | 01b (LH) | 1 | | | | | | | | | | | |

Register 15-24. 78h Link Status and Control

| Bit(s) | Description | Type | Serial EEPROM and I ² C | Default |
|---------------------|---|-------|------------------------------------|---------|
| Link Control | | | | |
| 1:0 | Active State Power Management (ASPM) Control 00b = Disable ^a 01b = Enables only L0s Link PM state Entry 10b = Enables only L1 Link PM state Entry 11b = Enables both L0s and L1 Link PM state Entries | RW | Yes | 00b |
| 2 | <i>Reserved</i> | RsvdP | No | 0 |
| 3 | Read Request Return Parameter Control Read Request Return Parameter “R” control. Read Completion Boundary (RCB). Cleared. | RO | Yes | 0 |
| 4 | Link Disable <i>Reserved</i> for the NT Port Link Interface. | RsvdP | No | 0 |
| 5 | Retrain Link <i>Reserved</i> for the NT Port Link Interface. Always read as 0. | RsvdP | No | 0 |
| 6 | Common Clock Configuration 0 = NT Port Link Interface and the device at the opposite end of the PCI Express Link use an asynchronous Reference Clock source 1 = NT Port Link Interface and the device at the opposite end of the PCI Express Link use a common (synchronous) Reference Clock source (constant phase relationship) | RW | Yes | 0 |
| 7 | Extended Sync 1 = Causes the NT Port Link Interface to transmit: <ul style="list-style-type: none"> • 4,096 FTS Ordered-Sets in the L0s Link PM state, • Followed by a single SKIP Ordered-Set prior to entering the L0 Link PM state, • Finally, transmission of 1,024 TS1 Ordered-Sets in the <i>Recovery</i> state. | RW | Yes | 0 |
| 15:8 | <i>Reserved</i> | RsvdP | No | 00h |

Register 15-24. 78h Link Status and Control (Cont.)

| Bit(s) | Description | Type | Serial EEPROM and I ² C | Default |
|--------------------|--|--------|------------------------------------|----------|
| Link Status | | | | |
| 19:16 | <p>Current Link Speed Indicates the negotiated Link speed of the Port's PCI Express Link.</p> <p>0001b = 2.5 GT/s Link speed 0010b = 5.0 GT/s Link speed</p> <p>All other encodings are <i>reserved</i>. The value in this field is undefined when the Link is not up.</p> | RO | No | 0001b |
| 25:20 | <p>Negotiated Link Width Dependent upon the configuration of the physical Ports. Link width is determined by the negotiated value with the attached Lane/Port.</p> <p>00_0000b = Link is down (default) 00_0001b = x1 or Port is in the <i>DL_Down</i> state 00_0010b = x2 00_0100b = x4 00_1000b = x8</p> <p>All other encodings are <i>not supported</i>.</p> | RO | No | 00_0000b |
| 26 | <i>Reserved</i> | RsvdP | No | 0 |
| 27 | <p>Link Training <i>Reserved</i> for the NT Port Link Interface.</p> | RsvdP | No | 0 |
| 28 | <p>Slot Clock Configuration Set by the upstream Port or NT Port Link Interface, but not both.</p> <p>0 = Indicates that the PEX 8624 uses an independent clock 1 = Indicates that the PEX 8624 uses the same physical Reference Clock that the platform provides on the connector</p> | HwInit | Yes | 0 |
| 31:29 | <i>Reserved</i> | RsvdP | No | 000b |

a. The Port Receiver must be capable of entering the L0s Link PM state, regardless of whether the state is disabled.

Register 15-25. 98h Link Status and Control 2

| Bit(s) | Description | Type | Serial EEPROM and I ² C | Default |
|-----------------------|---|-------|------------------------------------|------------------------------|
| Link Control 2 | | | | |
| 3:0 | Target Link Speed 0001b = 2.5 GT/s Link speed supported 0010b = 5.0 GT/s Link speed supported All other encodings are <i>reserved</i> . | RWS | Yes | 0010b |
| 4 | Enter Compliance | RWS | Yes | 0 |
| 5 | Hardware Autonomous Speed Disable <i>Reserved</i> Initial transition to the highest supported common Link speed is not blocked by this bit. | RsvdP | No | 0 |
| 6 | Selectable De-Emphasis <i>Reserved</i> | RsvdP | Yes | 0 |
| 9:7 | Transmit Margin Intended for debug and compliance testing only. | RWS | Yes | 000b |
| 10 | Enter Modified Compliance Intended for debug and compliance testing only. | RWS | Yes | 0 |
| 11 | Compliance SOS 1 = Link Training and Status State Machine (LTSSM) must periodically send SKIP Ordered-Sets between sequences when sending the Compliance Pattern or Modified Compliance Pattern | RWS | Yes | 0 |
| 12 | Compliance De-Emphasis Sets the de-emphasis level in the <i>Polling.Compliance</i> state, if the entry occurred due to bit 4 (<i>Enter Compliance</i>) being Set. | RWS | Yes | 0 |
| 15:13 | <i>Reserved</i> | RsvdP | No | 000b |
| Link Status 2 | | | | |
| 16 | Current De-Emphasis Level Reflects the de-emphasis level. 0 = -6 dB (Link is operating at 5.0 GT/s) 1 = -3.5 dB | RO | Yes | 0 (5.0 GT/s) 1 (2.5 GT/s) |
| 31:17 | <i>Reserved</i> | RsvdP | No | 0-0h |

15.9 NT Port Link Interface Subsystem ID and Subsystem Vendor ID Capability Registers (Offsets A4h – C4h)

The registers detailed in [Section 12.10, “Subsystem ID and Subsystem Vendor ID Capability Registers \(Offsets A4h – FCh\),”](#) are also applicable to the NT Port, except as defined in [Table 15-6](#) (register map) and [Register 15-26](#).

Table 15-6. NT Port Link Interface Subsystem ID and Subsystem Vendor ID Capability Register Map

| | | | |
|---|---------------------------------------|-----------------------------------|-----------|
| 31 30 29 28 27 26 25 24 23 22 21 20 19 18 17 16 | 15 14 13 12 11 10 9 8 7 6 5 4 3 2 1 0 | | |
| <i>Reserved</i> | Next Capability Pointer (C8h) | SSID/SSVID Capability ID (0Dh) | A4h |
| Subsystem ID | Subsystem Vendor ID | | A8h |
| <i>Reserved</i> | | | ACh – C4h |

Register 15-26. A4h Subsystem Capability

| Bit(s) | Description | Type | Serial EEPROM and I ² C | Default |
|--------|---|-------|------------------------------------|---------|
| 7:0 | SSID/SSVID Capability ID SSID/SSVID registers for the PCI-to-PCI bridge. Program to 0Dh, as required by the <i>PCI-to-PCI Bridge r1.2</i> . | RO | Yes | 0Dh |
| 15:8 | Next Capability Pointer Program to C8h, to point to the Vendor-Specific Capability 3 structure. | RO | Yes | C8h |
| 31:16 | <i>Reserved</i> | RsvdP | No | 0000h |

15.10 NT Port Link Interface Vendor-Specific Capability 3 Registers (Offsets C8h – FCh)

This section details the NT Port Link Interface Vendor-Specific Capability 3 registers. [Table 15-7](#) defines the register map used by the NT Port Link Interface.

The Cursor Mechanism registers at offsets [F8h](#) and [FCh](#) provide a means for accessing PCI Express Extended Configuration Space registers (offsets 100h through FFFh) within the NT Port Link and Virtual Interfaces, when only standard PCI Configuration transactions (that do not support the *Extended Register Number* field within the Completion Request Header) are available.

Table 15-7. NT Port Link Interface Vendor-Specific Capability 3 Register Map

| | | | | |
|---|---------------------------------------|---------------------------------|-----------------------|-------|
| 31 30 29 28 27 26 25 24 23 22 21 20 19 18 17 16 | 15 14 13 12 11 10 9 8 7 6 5 4 3 2 1 0 | | | |
| <i>Reserved</i> | Vendor-Specific Capability 3 | Next Capability Pointer 3 (00h) | Capability ID 3 (09h) | C8h |
| Vendor-Specific Header 3 (<i>Reserved</i>) | | | | CCh |
| <i>Reserved</i> | | | | D0h – |
| NT Port Link Interface BAR0/1 Setup | | | | E4h |
| NT Port Link Interface Memory BAR2 Setup | | | | E8h |
| NT Port Link Interface Memory BAR2/3 Setup | | | | ECh |
| NT Port Link Interface Memory BAR4 Setup | | | | F0h |
| NT Port Link Interface Memory BAR4/5 Setup | | | | F4h |
| Configuration Address Window | | <i>Reserved</i> | | F8h |
| Configuration Data Window | | | | FCh |

Register 15-27. C8h Vendor-Specific Capability 3

| Bit(s) | Description | Type | Serial EEPROM and I ² C | Default |
|--------|---|-------|------------------------------------|---------|
| 7:0 | Capability ID 3 | RO | Yes | 09h |
| 15:8 | Next Capability Pointer 3 00h = This capability is the last capability in the Linked List | RO | Yes | 00h |
| 23:16 | Length Number of bytes in this Capability structure. | RO | Yes | 38h |
| 31:24 | <i>Reserved</i> | RsvdP | Yes | 00h |

Register 15-28. CCh Vendor-Specific Header 3

| Bit(s) | Description | Type | Serial EEPROM and I ² C | Default |
|--------|-----------------|------|------------------------------------|------------|
| 31:0 | <i>Reserved</i> | RO | Yes | 0380_0002h |

Register 15-29. E4h NT Port Link Interface BAR0/1 Setup

| Bit(s) | Description | Type | Serial EEPROM and I ² C | Default |
|--------|---|-------|------------------------------------|---------|
| 1:0 | BAR0/1 Enable 00b = Disables Link Interface BAR0 and BAR1 01b = <i>Reserved</i> 10b = Enables Link Interface BAR0 and disables BAR1 (BAR0 is a 32-bit BAR) 11b = Enables Link Interface BAR0 and BAR1 (BAR0/1 is a 64-bit BAR) | RW | No | 10b |
| 2 | BAR0 Prefetchable 0 = Non-Prefetchable 1 = Prefetchable | RW | No | 0 |
| 31:3 | <i>Reserved</i> | RsvdP | No | 0-0h |

Register 15-30. E8h NT Port Link Interface Memory BAR2 Setup

| Bit(s) | Description | Type | Serial EEPROM and I ² C | Default | |
|--------|--|---|------------------------------------|---------|---|
| 0 | Type Selector | RsvdP | No | 0 | |
| 2:1 | BAR2 Type 00b = BAR2 is implemented as a 32-bit Memory BAR 10b = BAR2/3 is implemented as a 64-bit Memory BAR No other encodings are allowed. | RW | Yes | 00b | |
| 3 | Prefetchable 0 = Non-Prefetchable 1 = Prefetchable | RW | Yes | 0 | |
| 19:4 | <i>Reserved</i> | RsvdP | No | 0-0h | |
| 30:20 | BAR2 Size Specifies the Address Range size requested by BAR2 . 0 = Corresponding BAR2 bits are RO bits that always return 0, and Writes are ignored 1 = Corresponding BAR2 bits are RW bits | RW | Yes | 0-0h | |
| 31 | BAR2 Enable 0 = BAR2 is disabled, all BAR2 bits read 0 1 = BAR2 is enabled | Field [2:1] (<i>BAR2 Type</i>) = 00b | RW | Yes | 0 |
| | BAR2 Size Included with field [30:20] when this BAR is used as a 64-bit BAR. | Field [2:1] (<i>BAR2 Type</i>) = 10b | RW | Yes | 0 |

Register 15-31. ECh NT Port Link Interface Memory BAR2/3 Setup

| Bit(s) | Description | Type | Serial EEPROM and I ² C | Default | |
|--|--|---------------------|------------------------------------|---------|--------|
| <i>Note:</i> This register has RW privilege if BAR2/3 is configured as a 64-bit BAR (<i>NT Port Link Interface Memory BAR2 Setup register BAR2 Type field (NT Port Link Interface, offset E8h[2:1]), is programmed to 10b</i>). | | | | | |
| 0 | Type Selector | Offset E8h[2:1]=00b | RO | No | 0 |
| | | Offset E8h[2:1]=10b | RW | Yes | 0 |
| 2:1 | BAR3 Type 00b = BAR3 is implemented as a 32-bit Memory BAR No other encodings are allowed. | Offset E8h[2:1]=00b | RO | No | 00b |
| | | Offset E8h[2:1]=10b | RW | Yes | 00b |
| 3 | Prefetchable 0 = Non-Prefetchable 1 = Prefetchable | Offset E8h[2:1]=00b | RO | No | 0 |
| | | Offset E8h[2:1]=10b | RW | Yes | 0 |
| 19:4 | Reserved | Offset E8h[2:1]=00b | RO | No | 0_000h |
| | When BAR2/3 are used as a 64-bit BAR, bits [31:0] (including bits [19:4]) are used as the upper 32 bits. | Offset E8h[2:1]=10b | RW | Yes | 0_000h |
| 30:20 | BAR3 Size Specifies the Address Range size requested by BAR3 . 0 = Corresponding BAR3 bits are RO bits that always return 0, and Writes are ignored 1 = Corresponding BAR3 bits are RW bits | | RW | Yes | 0-0h |
| 31 | BAR3 Enable 32-Bit BAR: 0 = BAR3 is disabled 1 = BAR3 is enabled as a 32-bit BAR | Offset E8h[2:1]=00b | RW | Yes | 0 |
| | 64-Bit BAR: 0 = BAR2/3 is disabled, all BAR2/3 bits read 0 1 = BAR2/3 is enabled as a 64-bit BAR | Offset E8h[2:1]=10b | RW | Yes | 0 |

Register 15-32. F0h NT Port Link Interface Memory BAR4 Setup

| Bit(s) | Description | Type | Serial EEPROM and I ² C | Default | |
|--------|--|---|------------------------------------|---------|---|
| 0 | Type Selector | RsvdP | No | 0 | |
| 2:1 | BAR4 Type 00b = BAR4 is implemented as a 32-bit Memory BAR (BAR4) 10b = BAR4/5 is implemented as a 64-bit Memory BAR (BAR4/5) No other encodings are allowed. | RW | Yes | 00b | |
| 3 | Prefetchable 0 = Non-Prefetchable 1 = Prefetchable | RW | Yes | 0 | |
| 19:4 | <i>Reserved</i> | RsvdP | No | 0_000h | |
| 30:20 | BAR4 Size Specifies the Address Range size requested by BAR4 . 0 = Corresponding BAR4 bits are RO bits that always return 0, and Writes are ignored 1 = Corresponding BAR4 bits are RW bits | RW | Yes | 0-0h | |
| 31 | BAR4 Enable 0 = BAR4 is disabled, all BAR4 bits read 0 1 = BAR4 is enabled | Field [2:1] (<i>BAR4 Type</i>) = 00b | RW | Yes | 0 |
| | BAR4 Size Included with field [30:20] when this BAR is used as a 64-bit BAR. | Field [2:1] (<i>BAR4 Type</i>) = 10b | RW | Yes | 0 |

Register 15-33. F4h NT Port Link Interface Memory BAR4/5 Setup

| Bit(s) | Description | Type | Serial EEPROM and I ² C | Default | |
|---|--|---------------------|------------------------------------|---------|--------|
| <p><i>Note:</i> This register has RW privilege if BAR4/5 is configured as a 64-bit BAR (<i>NT Port Link Interface Memory BAR4 Setup register BAR4 Type field (NT Port Link Interface, offset F0h[2:1]), is programmed to 10b</i>).</p> | | | | | |
| 0 | Type Selector | Offset F0h[2:1]=00b | RO | No | 0 |
| | | Offset F0h[2:1]=10b | RW | Yes | 0 |
| 2:1 | BAR5 Type 00b = BAR5 is implemented as a 32-bit Memory BAR No other encodings are allowed. | Offset F0h[2:1]=00b | RO | No | 00b |
| | | Offset F0h[2:1]=10b | RW | Yes | 00b |
| 3 | Prefetchable 0 = Non-Prefetchable 1 = Prefetchable | Offset F0h[2:1]=00b | RO | No | 0 |
| | | Offset F0h[2:1]=10b | RW | Yes | 0 |
| 19:4 | Reserved When BAR4/5 are used as a 64-bit BAR, bits [31:0] (including bits [19:4]) are used as the upper 32 bits. | Offset F0h[2:1]=00b | RsvdP | No | 0_000h |
| | | Offset F0h[2:1]=10b | RW | Yes | 0_000h |
| 30:20 | BAR5 Size Specifies the Address Range size requested by BAR5 . 0 = Corresponding BAR5 bits are RO bits that always return 0, and Writes are ignored 1 = Corresponding BAR5 bits are RW bits | | RW | Yes | 0-0h |
| 31 | BAR5 Enable 32-Bit BAR: 0 = BAR5 is disabled 1 = BAR5 is enabled as a 32-bit BAR | Offset F0h[2:1]=00b | RW | Yes | 0 |
| | 64-Bit BAR: 0 = BAR4/5 is disabled, all BAR4/5 bits read 0 1 = BAR4/5 is enabled as a 64-bit BAR | Offset F0h[2:1]=10b | RW | Yes | 0 |

Register 15-34. F8h Configuration Address Window (Device-Specific Cursor Mechanism)

| Bit(s) | Description | Type | Serial EEPROM and I ² C | Default |
|--------|--|-------|------------------------------------|---------|
| 15:0 | <i>Reserved</i> | RsvdP | No | 0000h |
| 25:16 | Register Offset | RW | Yes | 0-0h |
| 30:26 | <i>Reserved</i> | RsvdP | No | 0-0h |
| 31 | Interface Select 0 = Access is to the NT Port Link Interface Type 0 Configuration Space register 1 = Access is to the NT Port Virtual Interface Type 0 Configuration Space register | RW | Yes | 0 |

Register 15-35. FCh Configuration Data Window (Device-Specific Cursor Mechanism)

| Bit(s) | Description | Type | Serial EEPROM and I ² C | Default |
|--------|--|------|------------------------------------|------------|
| 31:0 | Data Window Software selects a register by writing into the NT Port Link Interface Configuration Address window, then reads from or writes to that register using this register. | RW | Yes | 0000_0000h |

15.11 NT Port Link Interface Device Serial Number Extended Capability Registers (Offsets 100h – 134h)

The registers detailed in Section 12.11, “Device Serial Number Extended Capability Registers (Offsets 100h – 134h),” are also applicable to the NT Port. Table 15-8 defines the register map used by all Ports.

Table 15-8. NT Port Link Interface Device Serial Number Extended Capability Register Map

| | | | |
|---|---------------------------------------|--|-------------|
| 31 30 29 28 27 26 25 24 23 22 21 20 19 18 17 16 | 15 14 13 12 11 10 9 8 7 6 5 4 3 2 1 0 | | |
| Next Capability Offset (FB4h) | Capability Version (1h) | PCI Express Extended Capability ID (0003h) | 100h |
| Serial Number (Lower DW) | | | 104h |
| Serial Number (Upper DW) | | | 108h |
| <i>Reserved</i> | | | 10Ch – 134h |

15.12 NT Port Link Interface Power Budget Extended Capability Registers (Offsets 138h – 144h)

The registers detailed in Section 12.12, “Power Budget Extended Capability Registers (Offsets 138h – 144h),” are also applicable to the NT Port Link Interface. Table 15-9 defines the register map.

Table 15-9. NT Port Link Interface Power Budget Extended Capability Register Map (Only Upstream Port, and also NT Port Link Interface; Reserved (RsvdP) for All Other Ports)

| | | | |
|---|---------------------------------------|--|------|
| 31 30 29 28 27 26 25 24 23 22 21 20 19 18 17 16 | 15 14 13 12 11 10 9 8 7 6 5 4 3 2 1 0 | | |
| Next Capability Offset (148h) | Capability Version (1h) | PCI Express Extended Capability ID (0004h) | 138h |
| <i>Reserved</i> | | Data Select | 13Ch |
| Power Budget Data | | | 140h |
| Power Budget Capability | | | 144h |

15.13 NT Port Link Interface Virtual Channel Extended Capability Registers (Offsets 148h – 1A4h)

The registers detailed in Section 12.13, “Virtual Channel Extended Capability Registers (Offsets 148h – 1BCh),” are also applicable to the NT Port Link Interface, except as defined in Table 15-10 (register map), and Register 15-36 through Register 15-40.

Table 15-10. NT Port Link Interface Virtual Channel Extended Capability Register Map

| 31 30 29 28 27 26 25 24 23 22 21 20 19 18 17 16 | | | | | | | | | | | | | | | | 15 14 13 12 11 10 9 8 7 6 5 4 3 2 1 0 | | | | | | | | | | | | | | | | | | | | |
|---|--|--|--|--|--|--|--|--|--|--|--|--|--|--|--|---------------------------------------|--|--|--|--|--|--|--|--|--|--|--|--|--|--|--|-------------|--|--|--|------|
| Next Capability Offset (950h) | | | | | | | | | | | | | | | | Capability Version (1h) | | | | PCI Express Extended Capability ID (0002h) | | | | | | | | | | | | | | | | 148h |
| Port VC Capability 1 | | | | | | | | | | | | | | | | | | | | | | | | | | | | | | | | 14Ch | | | | |
| Port VC Capability 2 | | | | | | | | | | | | | | | | | | | | | | | | | | | | | | | | 150h | | | | |
| Port VC Status (<i>Reserved</i>) | | | | | | | | | | | | | | | | Port VC Control | | | | | | | | | | | | | | | | 154h | | | | |
| VC0 Resource Capability | | | | | | | | | | | | | | | | | | | | | | | | | | | | | | | | 158h | | | | |
| VC0 Resource Control | | | | | | | | | | | | | | | | | | | | | | | | | | | | | | | | 15Ch | | | | |
| VC0 Resource Status | | | | | | | | | | | | | | | | <i>Reserved</i> | | | | | | | | | | | | | | | | 160h | | | | |
| <i>Reserved</i> | | | | | | | | | | | | | | | | | | | | | | | | | | | | | | | | 164h – 1A4h | | | | |

Register 15-36. 148h Virtual Channel Extended Capability Header

| Bit(s) | Description | Type | Serial EEPROM and I ² C | Default |
|--------|---|------|------------------------------------|---------|
| 15:0 | PCI Express Extended Capability ID Program to 0002h, as required by the <i>PCI Express Base r2.0</i> . | RO | No | 0002h |
| 19:16 | Capability Version Program to 1h, as required by the <i>PCI Express Base r2.0</i> . | RO | No | 1h |
| 31:20 | Next Capability Offset Next extended capability is the Vendor-Specific Extended Capability 2 structure, offset 950h. | RO | No | 950h |

Register 15-37. 14Ch Port VC Capability 1

| Bit(s) | Description | Type | Serial EEPROM and I ² C | Default |
|--------|--|-------|------------------------------------|---------|
| 0 | Extended VC Counter 0 = PEX 8624 Port supports only one Virtual Channel (VC0) 1 = <i>Reserved</i> | RO | No | 0 |
| 3:1 | <i>Reserved</i> | RsvdP | No | 000b |
| 4 | Low-Priority Extended VC Counter For Strict Priority arbitration, indicates the number of extended VCs (those in addition to VC0) that belong to the Low-Priority Virtual Channel group for this PEX 8624 Port. 0 = For this PEX 8624 Port, only VC0 belongs to the Low-Priority Virtual Channel group 1 = <i>Reserved</i> , because the PEX 8624 supports only one VC | RO | No | 0 |
| 7:5 | <i>Reserved</i> | RsvdP | No | 000b |
| 9:8 | Reference Clock Cleared. | RsvdP | No | 00b |
| 11:10 | Port Arbitration Table Entry Size | RsvdP | No | 00b |
| 31:12 | <i>Reserved</i> | RsvdP | No | 0000_0h |

Register 15-38. 158h VC0 Resource Capability

| Bit(s) | Description | Type | Serial EEPROM and I ² C | Default |
|--------|--|-------|------------------------------------|-----------|
| 1:0 | Port Arbitration Capability Bit 0 = 1 – Non-configurable Round-Robin (Hardware-Fixed) arbitration Bit 1 = 1 – Weighted Round-Robin (WRR) arbitration with 32 Phases | RO | No | 01b |
| 14:2 | <i>Reserved</i> | RsvdP | No | 0-0h |
| 15 | Reject Snoop Transactions Not a PCI Express switch feature; therefore, Cleared. | RsvdP | No | 0 |
| 22:16 | Maximum Time Slots <i>Not supported</i> | RsvdP | No | 000_0000b |
| 23 | <i>Reserved</i> | RsvdP | No | 0 |
| 31:24 | Port Arbitration Table Offset Offset of the Port Arbitration Table, as the number of DQWords from the Base address of the Virtual Channel Extended Capability structure. 00h = Port Arbitration Table is not present | RO | No | 00h |

Register 15-39. 15Ch VC0 Resource Control

| Bit(s) | Description | Type | Serial EEPROM and I ² C | Default |
|--------|--|-------|------------------------------------|---------|
| 0 | TC/VC Map Defines Traffic Classes [7:0], respectively, and indicates which TCs are mapped into VC0. | RO | No | 1 |
| 7:1 | Traffic Class 0 (TC0) must be mapped to VC0. By default, Traffic Classes [7:1] are mapped to VC0. | RW | Yes | 7Fh |
| 15:8 | <i>Reserved</i> | RsvdP | No | 00h |
| 16 | Load Port Arbitration Table Hardware writable and software readable. | RW | Yes | 0 |
| 19:17 | Port Arbitration Select Selects the Port Arbitration type for the NT Port Link Interface. Indicates the bit number in the VC0 Resource Capability register <i>Port Arbitration Capability</i> field (offset 158h[1:0]) that corresponds to the arbitration type. 0 = Round-Robin (Hardware-Fixed) arbitration scheme | RW | Yes | 000b |
| 23:20 | <i>Reserved</i> | RsvdP | No | 0h |
| 24 | VC ID Defines the NT Port Link Interface VC0 ID code. Cleared, because there is only one Virtual Channel. | RO | No | 0 |
| 30:25 | <i>Reserved</i> | RsvdP | No | 0-0h |
| 31 | VC Enable 0 = Not allowed 1 = Enables the NT Port Link Interface VC0 | RO | No | 1 |

Register 15-40. 160h VC0 Resource Status

| Bit(s) | Description | Type | Serial EEPROM and I ² C | Default |
|--------|--|-------|------------------------------------|---------|
| 15:0 | <i>Reserved</i> | RsvdP | No | 0000h |
| 16 | Port Arbitration Table Status <i>Not implemented</i> | RO | No | 0 |
| 17 | VC0 Negotiation Pending 0 = VC0 negotiation completed 1 = VC0 initialization is not complete for the NT Port Link Interface | RO | Yes | 1 |
| 31:18 | <i>Reserved</i> | RsvdP | No | 0-0h |

15.14 NT Port Link Interface Device-Specific Registers (Offsets 1C0h – C88h)

The registers detailed in Section 12.14, “Device-Specific Registers (Offsets 1C0h – 51Ch),” and Section 12.16, “Device-Specific Registers (Offsets 54Ch – F8Ch)” (for offsets A00h through C88h), are unique to the PEX 8624 and not referenced in the *PCI Express Base r2.0*. These registers are also applicable to the NT Port Link Interface, except as defined in Table 15-11 (register map; offsets 200h through 65Ch, 680h through 94Ch, and 960h through C30h are *reserved*) through Table 15-15, and Register 15-41 through Register 15-48.

Another NT Port Link Interface Device-Specific register is detailed in Section 15.16, “NT Port Link Interface Device-Specific Registers – Source Queue Weight (Offsets F00h – F30h).”

Note: It is recommended that these registers not be changed from their default values.

Table 15-11. NT Port Link Interface Device-Specific Register Map (Offsets 1C0h – C88h)

| 31 30 29 28 27 26 25 24 23 22 21 20 19 18 17 16 | | | 15 14 13 12 11 10 9 8 7 6 5 4 3 2 1 0 | | | | | | | | | | | | | | | |
|--|----|--|---------------------------------------|--|--|--|--|--|--|--|--|--|--|--|------|--|--|-------------|
| NT Port Link Interface Device-Specific Registers – Error Checking and Debug (Offsets 1C0h – 1FCh) | | | | | | | | | | | | | | | | | | 1C0h |
| | | | | | | | | | | | | | | | | | | ... |
| <i>Reserved</i> | | | | | | | | | | | | | | | | | | 200h – 65Ch |
| | | | | | | | | | | | | | | | | | | 660h |
| NT Port Link Interface Device-Specific Registers – Ingress Control and Port Enable (Offsets 660h – 67Ch) | | | | | | | | | | | | | | | | | | ... |
| | | | | | | | | | | | | | | | | | | 67Ch |
| <i>Reserved</i> | | | | | | | | | | | | | | | | | | 680h – 94Ch |
| | | | | | | | | | | | | | | | | | | 950h |
| Next Capability Offset 2 (C34h) | 1h | PCI Express Extended Capability ID 2 (000Bh) | | | | | | | | | | | | | 950h | | | |
| NT Port Link Interface Device-Specific Registers – Vendor-Specific Extended Capability 2 (Offsets 950h – 95Ch) | | | | | | | | | | | | | | | | | | ... |
| | | | | | | | | | | | | | | | | | | 95Ch |
| <i>Reserved</i> | | | | | | | | | | | | | | | | | | 960h – C30h |
| | | | | | | | | | | | | | | | | | | C34h |
| Next Capability Offset 4 (000h) | 1h | PCI Express Extended Capability ID 4 (000Bh) | | | | | | | | | | | | | C34h | | | |
| NT Port Link Interface Device-Specific Registers – Vendor-Specific Extended Capability 4 (Offsets C34h – C88h) | | | | | | | | | | | | | | | | | | ... |
| | | | | | | | | | | | | | | | | | | C88h |

15.14.1 NT Port Link Interface Device-Specific Registers – Error Checking and Debug (Offsets 1C0h – 1FCh)

The registers detailed in Section 12.14.1, “Device-Specific Registers – Error Checking and Debug (Offsets 1C0h – 1FCh),” are also applicable to the NT Port Link Interface, except as defined in Table 15-12 (register map; offsets 1C0h, 1C4h, 1CCh through 1DCh, and 1F4h are *reserved* or *Factory Test Only*), and Register 15-41 through Register 15-43.

Table 15-12. NT Port Link Interface Device-Specific Error Checking and Debug Register Map (Ports^a)

| 31 | 30 | 29 | 28 | 27 | 26 | 25 | 24 | 23 | 22 | 21 | 20 | 19 | 18 | 17 | 16 | 15 | 14 | 13 | 12 | 11 | 10 | 9 | 8 | 7 | 6 | 5 | 4 | 3 | 2 | 1 | 0 |
|--|----|----|----|----|----|----|----|----|----|----|----|----|----|----|----|-------------|----|----|----|----|----|---|---|---|---|---|---|---|---|---|---|
| <i>Reserved</i> | | | | | | | | | | | | | | | | 1C0h – 1C4h | | | | | | | | | | | | | | | |
| ECC Error Check Disable | | | | | | | | | | | | | | | | 1C8h | | | | | | | | | | | | | | | |
| <i>Reserved</i> | | | | | | | | | | | | | | | | 1CCh | | | | | | | | | | | | | | | |
| <i>Factory Test Only</i> | | | | | | | | | | | | | | | | 1D0h | | | | | | | | | | | | | | | |
| <i>Reserved</i> | | | | | | | | | | | | | | | | 1D4h – 1DCh | | | | | | | | | | | | | | | |
| Power Management Hot Plug User Configuration | | | | | | | | | | | | | | | | 1E0h | | | | | | | | | | | | | | | |
| <i>Factory Test Only</i> | | | | | | | | | | | | | | | | 1E4h | | | | | | | | | | | | | | | |
| Bad TLP Counter | | | | | | | | | | | | | | | | 1E8h | | | | | | | | | | | | | | | |
| Bad DLLP Counter | | | | | | | | | | | | | | | | 1ECh | | | | | | | | | | | | | | | |
| <i>Reserved</i> | | | | | | | | | | | | | | | | 1F0h – 1F4h | | | | | | | | | | | | | | | |
| ACK Transmission Latency Limit | | | | | | | | | | | | | | | | 1F8h | | | | | | | | | | | | | | | |
| <i>Factory Test Only</i> | | | | | | | | | | | | | | | | 1FCh | | | | | | | | | | | | | | | |

a. Certain registers are Port-specific, others are Station-specific or Chip-specific; all are device-specific.

Register 15-41. 1C8h ECC Error Check Disable

| Bit(s) | Description | Type | Serial EEPROM and I ² C | Default |
|--------|--|-------|------------------------------------|---------|
| 1:0 | <i>Reserved</i> | RsvdP | No | 00b |
| 2 | Software Force Error Enable 1 = Correctable Error Status and Uncorrectable Error Status registers (offsets FC4h and FB8h, respectively) change from RW1CS to RW register | RWS | Yes | 0 |
| 3 | Software Force Non-Posted Request 1 = Enables handling of errors associated with Posted TLPs as if those errors are associated with Non-Posted TLPs | RWS | Yes | 0 |
| 4 | <i>Reserved</i> | RsvdP | No | 0 |
| 5 | Enable PEX_INTA# Interrupt Output(s) for Device-Specific Error and Event-Triggered Interrupt 0 = Device-Specific Error and Event Interrupt Requests send an INT _x Message (and do not assert PEX_INTA#) 1 = Device-Specific Error and Event Interrupt Requests assert PEX_INTA# (and do not send an INT _x Message) | RWS | Yes | 0 |
| 6 | Enable PEX_INTA# Interrupt Output(s) for GPIO-Generated Interrupts 0 = General-Purpose Input/Output (GPIO) Interrupt Requests send an INT _x Message (and do not assert PEX_INTA#) 1 = GPIO Interrupt Requests assert PEX_INTA# (and do not send an INT _x Message) | RWS | Yes | 0 |
| 7 | Enable PEX_INTA# Interrupt Output(s) for NT-Link Doorbell-Generated Interrupts 0 = NT Port Link Interface Doorbell Interrupt Requests send an INT _x Message (and do not assert PEX_INTA#) 1 = NT Port Link Interface Doorbell Interrupt Requests assert PEX_INTA# (and do not send an INT _x Message) | RWS | Yes | 0 |
| 8 | Disable Sending MSI If MSI Is Enabled after Interrupt Status Set 0 = Does not disable sending an MSI, if MSI is enabled after an <i>Interrupt Status</i> bit is Set 1 = Disables sending an MSI, if MSI is enabled after an <i>Interrupt Status</i> bit is Set <i>Note: This bit must remain Cleared, for compliance to specifications governing the MSI Capability.</i> | RWS | Yes | 0 |
| 31:9 | <i>Reserved</i> | RsvdP | No | 0-0h |

Register 15-42. 1E0h Power Management Hot Plug User Configuration

| Bit(s) | Description | Type | Serial EEPROM and I ² C | Default |
|--------|--|-------|------------------------------------|---------|
| 0 | L0s Entry Idle Counter Traffic Idle time to meet, to enter the L0s Link PM state. 0 = Idle condition must last 1 μ s 1 = Idle condition must last 4 μ s | RW | Yes | 0 |
| 1 | Factory Test Only | RW | Yes | 0 |
| 2 | NT Virtual MPS CSR Select NT Port Virtual Interface Maximum Payload Size register select. 0 = NT Port Virtual Interface uses the NT Port Link Interface's Maximum Payload Size (offset 70h[7:5]) 1 = NT Port Virtual Interface uses its own Maximum Payload Size (offset 70h[7:5]) | RW | Yes | 0 |
| 7:3 | Factory Test Only | RW | Yes | 0-0h |
| 8 | DLLP Timeout Link Retrain Disable Disable Link retraining when no Data Link Layer Packets (DLLPs) are received for more than 256 μ s. 0 = Enables Link retraining when no DLLPs are received for more than 256 μ s (default) 1 = DLLP Timeout is disabled | RW | Yes | 0 |
| 9 | Factory Test Only | RW | Yes | 0 |
| 10 | L0s Entry Disable 0 = Enables entry into the L0s Link PM state on a Port when the L0s idle conditions are met 1 = Disables entry into the L0s Link PM state on a Port when the L0s idle conditions are met | RW | Yes | 0 |
| 31:11 | Reserved | RsvdP | No | 0-0h |

Register 15-43. 1F8h ACK Transmission Latency Limit

| Bit(s) | Description | Type | Serial EEPROM and I ² C | Default |
|--|---|-------|------------------------------------|---------|
| The value of this register should be valid after Link negotiation. | | | | |
| 11:0 | ACK Transmission Latency Limit Acknowledge Control Packet (ACK) Transmission Latency Limit. | RWS | Yes | 237d |
| 15:12 | Reserved | RsvdP | No | 0h |
| 23:16 | Upper 8 Bits of the Replay Timer Limit The value in this register is a multiplier of the default internal timer values that are compliant to the <i>PCI Express Base r2.0</i> . These bits should normally remain the default value, 00h. | RWS | Yes | 00h |
| 30:24 | Reserved | RsvdP | No | 0-0h |
| 31 | ACK Transmission Latency Timer Status Indicates the written status of field [11:0] (<i>ACK Transmission Latency Limit</i>). After the register is written, either by software and/or serial EEPROM, this bit is Set, and Cleared only by a Fundamental Reset. | RO | No | 0 |

15.14.2 NT Port Link Interface Device-Specific Registers – Ingress Control and Port Enable (Offsets 660h – 67Ch)

The registers detailed in Section 12.16.3, “Device-Specific Registers – Ingress Control and Port Enable (Offsets 660h – 67Ch),” are also applicable to the NT Port Link Interface, except as defined in Table 15-13 (register map; offsets 660h, 664h, and 678h are *reserved*).

Table 15-13. NT Port Link Interface Device-Specific Ingress Control and Port Enable Register Map

| | | | |
|---|---------------------------------------|--------------------------|---|
| 31 30 29 28 27 26 25 24 23 22 21 20 19 18 17 16 | 15 14 13 12 11 10 9 8 7 6 5 4 3 2 1 0 | | |
| <i>Reserved</i> | | | 660h – 664h |
| Port Enable Status | | | 668h |
| Negotiated Link Width for Ports 0, 1, 5, 6 | | | 66Ch |
| <i>Reserved</i> | | <i>Factory Test Only</i> | Negotiated Link Width for Ports 8, 9 670h |
| Port Cut-Thru Enable Status | | | 674h |
| <i>Reserved</i> | | | 678h – 67Ch |

15.14.3 NT Port Link Interface Device-Specific Registers – Vendor-Specific Extended Capability 2 (Offsets 950h – 95Ch)

The registers detailed in Section 12.16.8, “Device-Specific Registers – Vendor-Specific Extended Capability 2 (Offsets 950h – 95Ch),” are also applicable to the NT Port, except for the Next Capability Offset value, as defined in Table 15-14 (register map) and Register 15-44.

Table 15-14. NT Port Link Interface Device-Specific, Vendor-Specific Extended Capability 2 Register Map

| 31 30 29 28 27 26 25 24 23 22 21 20 19 18 17 16 | | | | | | | | | | | | | | | | 15 14 13 12 11 10 9 8 7 6 5 4 3 2 1 0 | | | | | | | | | | | | | | | | | | | | |
|---|--|--|--|--|--|--|--|--|--|--|--|--|--|--|--|---------------------------------------|--|--|--|--|--|--|--|---------------------------|--|--|--|--|--|--|--|------|--|--|--|------|
| Next Capability Offset 2 (C34h) | | | | | | | | | | | | | | | | Capability Version 2 (1h) | | | | PCI Express Extended Capability ID 2 (000Bh) | | | | | | | | | | | | | | | | 950h |
| Vendor-Specific Header 2 | | | | | | | | | | | | | | | | | | | | | | | | | | | | | | | | 954h | | | | |
| Hardwired Device ID | | | | | | | | | | | | | | | | Hardwired Vendor ID | | | | | | | | | | | | | | | | 958h | | | | |
| <i>Reserved</i> | | | | | | | | | | | | | | | | | | | | | | | | PLX Hardwired Revision ID | | | | | | | | 95Ch | | | | |

Register 15-44. 950h Vendor-Specific Extended Capability 2

| Bit(s) | Description | Type | Serial EEPROM and I ² C | Default |
|--------|--|------|------------------------------------|---------|
| 15:0 | PCI Express Extended Capability ID 2 Program to 000Bh, indicating that the Capability structure is the Vendor-Specific Extended Capability structure. | RO | Yes | 000Bh |
| 19:16 | Capability Version 2 | RO | Yes | 1h |
| 31:20 | Next Capability Offset 2 Program to C34h, which addresses the Vendor-Specific Extended Capability 4 structure. | RO | Yes | C34h |

15.14.4 NT Port Link Interface Device-Specific Registers – Vendor-Specific Extended Capability 4 (Offsets C34h – C88h)

The registers detailed in Section 14.14.4, “NT Port Virtual Interface Device-Specific Registers – Vendor-Specific Extended Capability 4 (Offsets C34h – C88h),” are also applicable to the NT Port Link Interface, except as defined in Table 15-15 (register map), and Register 15-45 through Register 15-48.

Table 15-15. NT Port Link Interface Device-Specific, Vendor-Specific Extended Capability 4 Register Map

| 31 30 29 28 27 26 25 24 23 22 21 20 19 18 17 16 | | | | | | | | | | | | | | | | 15 14 13 12 11 10 9 8 7 6 5 4 3 2 1 0 | | | | | | | | | | | | | | | | | | | | | | | | |
|---|--|--|--|--|--|--|--|--|--|--|--|--|--|--|--|---------------------------------------|--|--|--|--|--|--|--|--|--|--|--|--|--|--|--|------|--|--|--|--|--|--|--|--|
| Next Capability Offset 4 (000h) | | | | | | | | | | | | | | | | Capability Version 4 (1h) | | | | | | | | PCI Express Extended Capability ID 4 (000Bh) | | | | | | | | | | | | | | | | |
| Vendor-Specific Header 4 | | | | | | | | | | | | | | | | | | | | | | | | | | | | | | | | C34h | | | | | | | | |
| Memory BAR2 Address Translation Lower | | | | | | | | | | | | | | | | | | | | | | | | | | | | | | | | C3Ch | | | | | | | | |
| Memory BAR3 Address Translation Upper | | | | | | | | | | | | | | | | | | | | | | | | | | | | | | | | C40h | | | | | | | | |
| Memory BAR4 Address Translation Lower | | | | | | | | | | | | | | | | | | | | | | | | | | | | | | | | C44h | | | | | | | | |
| Memory BAR5 Address Translation Upper | | | | | | | | | | | | | | | | | | | | | | | | | | | | | | | | C48h | | | | | | | | |
| <i>Reserved</i> | | | | | | | | | | | | | | | | Virtual Interface IRQ Set | | | | | | | | | | | | | | | | C4Ch | | | | | | | | |
| <i>Reserved</i> | | | | | | | | | | | | | | | | Virtual Interface IRQ Clear | | | | | | | | | | | | | | | | C50h | | | | | | | | |
| <i>Reserved</i> | | | | | | | | | | | | | | | | Virtual Interface IRQ Mask Set | | | | | | | | | | | | | | | | C54h | | | | | | | | |
| <i>Reserved</i> | | | | | | | | | | | | | | | | Virtual Interface IRQ Mask Clear | | | | | | | | | | | | | | | | C58h | | | | | | | | |
| <i>Reserved</i> | | | | | | | | | | | | | | | | Link Interface IRQ Set | | | | | | | | | | | | | | | | C5Ch | | | | | | | | |
| <i>Reserved</i> | | | | | | | | | | | | | | | | Link Interface IRQ Clear | | | | | | | | | | | | | | | | C60h | | | | | | | | |
| <i>Reserved</i> | | | | | | | | | | | | | | | | Link Interface IRQ Mask Set | | | | | | | | | | | | | | | | C64h | | | | | | | | |
| <i>Reserved</i> | | | | | | | | | | | | | | | | Link Interface IRQ Mask Clear | | | | | | | | | | | | | | | | C68h | | | | | | | | |
| NT Port SCRATCH0 | | | | | | | | | | | | | | | | | | | | | | | | | | | | | | | | C6Ch | | | | | | | | |
| NT Port SCRATCH1 | | | | | | | | | | | | | | | | | | | | | | | | | | | | | | | | C70h | | | | | | | | |
| NT Port SCRATCH2 | | | | | | | | | | | | | | | | | | | | | | | | | | | | | | | | C74h | | | | | | | | |
| NT Port SCRATCH3 | | | | | | | | | | | | | | | | | | | | | | | | | | | | | | | | C78h | | | | | | | | |
| NT Port SCRATCH4 | | | | | | | | | | | | | | | | | | | | | | | | | | | | | | | | C7Ch | | | | | | | | |
| NT Port SCRATCH5 | | | | | | | | | | | | | | | | | | | | | | | | | | | | | | | | C80h | | | | | | | | |
| NT Port SCRATCH6 | | | | | | | | | | | | | | | | | | | | | | | | | | | | | | | | C84h | | | | | | | | |
| NT Port SCRATCH7 | | | | | | | | | | | | | | | | | | | | | | | | | | | | | | | | C88h | | | | | | | | |

Register 15-45. C3Ch Memory BAR2 Address Translation Lower

| Bit(s) | Description | Type | Serial EEPROM and I ² C | Default |
|--------|--|-------|------------------------------------|---------|
| 19:0 | <i>Reserved</i> | RsvdP | No | 0_0000h |
| 31:20 | NT Port Link-to-Virtual Interface BAR2 Base Translation Address Base Translation address when BAR2 is enabled (NT Port Link Interface Memory BAR2 Setup register <i>BAR2 Enable</i> bit, offset E8h[31], is Set). | RW | Yes | 000h |

Register 15-46. C40h Memory BAR3 Address Translation Upper

| Bit(s) | Description | Type | Serial EEPROM and I ² C | Default |
|--------|--|------------------|------------------------------------|---------|
| 19:0 | <i>Reserved</i> | Offset ECh[31]=0 | No | 0_0000h |
| | When BAR2/3 are used as a 64-bit BAR, bits [31:0] (including bits [19:0]) are used as the upper 32 bits. | Offset ECh[31]=1 | RW | Yes |
| 31:20 | NT Port Link-to-Virtual Interface BAR3 Base Translation Address Base Translation address when BAR3 is enabled (NT Port Link Interface Memory BAR2/3 Setup register <i>BAR3 Enable</i> bit, offset ECh[31], is Set). | RW | Yes | 000h |

Register 15-47. C44h Memory BAR4 Address Translation Lower

| Bit(s) | Description | Type | Serial EEPROM and I ² C | Default |
|--------|--|-------|------------------------------------|---------|
| 19:0 | <i>Reserved</i> | RsvdP | No | 0_0000h |
| 31:20 | NT Port Link-to-Virtual Interface BAR4 Base Translation Address Base Translation address when BAR4 is enabled (NT Port Link Interface Memory BAR4 Setup register <i>BAR4 Enable</i> bit, offset F0h[31], is Set). | RW | Yes | 000h |

Register 15-48. C48h Memory BAR5 Address Translation Upper

| Bit(s) | Description | Type | Serial EEPROM and I ² C | Default |
|--------|--|------------------|------------------------------------|---------|
| 19:0 | <i>Reserved</i> | Offset F4h[31]=0 | No | 0_0000h |
| | When BAR4/5 are used as a 64-bit BAR, bits [31:0] (including bits [19:0]) are used as the upper 32 bits. | Offset F4h[31]=1 | RW | Yes |
| 31:20 | NT Port Link-to-Virtual Interface BAR5 Base Translation Address Base Translation address when BAR5 is enabled (NT Port Link Interface Memory BAR4/5 Setup register <i>BAR5 Enable</i> bit, offset F4h[31], is Set). | RW | Yes | 000h |

15.15 NT Port Link Interface NT Bridging-Specific Registers (Offsets C8Ch – EFCh)

Table 15-16 defines the register map of the NT Port Link Interface NT Bridging-Specific registers.

Table 15-16. NT Port Link Interface NT Bridging-Specific Register Map

| | | |
|--|---------------------------------------|---------------------|
| 31 30 29 28 27 26 25 24 23 22 21 20 19 18 17 16 | 15 14 13 12 11 10 9 8 7 6 5 4 3 2 1 0 | C8Ch – DB0h |
| <i>Reserved</i> | | |
| NT Port Link Interface NT Bridging-Specific Registers – Requester ID Translation Lookup Table Entry (Addresses DB4h – DF0h) | | DB4h ... DF0h |
| <i>Reserved</i> | | DF4h – EFCh |

15.15.1 NT Port Link Interface NT Bridging-Specific Registers – Requester ID Translation Lookup Table Entry (Addresses DB4h – DF0h)

This section describes the NT Port Link Interface NT Bridging-Specific Requester ID Translation Lookup Table (LUT) Entry registers. The NT Port uses these registers for Requester ID translation when it forwards:

- Memory Requests from the NT Port Link Interface to the NT Port Virtual Interface, –or–
- Completion TLPs from the NT Port Virtual Interface to the NT Port Link Interface

If the application needs to send traffic through the NT Port Link Interface, program the registers listed in this group with the corresponding Requester’s Requester ID, then Set the *LUT Entry_n Enable* and *LUT Entry_m Enable* bits (bits 0 and 16, respectively) for each LUT entry, as needed.

Table 15-17 defines the register and address locations, as they relate to Register 15-49.

Table 15-17. NT Port Link Interface NT Bridging-Specific Requester ID Translation LUT Entry_{n,m} Register Locations

| ADDR Location | Lookup Table Entry _{n,m} | ADDR Location | Lookup Table Entry _{n,m} |
|---------------|-----------------------------------|---------------|-----------------------------------|
| DB4h | 0_1 | DD4h | 16_17 |
| DB8h | 2_3 | DD8h | 18_19 |
| DBCh | 4_5 | DDCh | 20_21 |
| DC0h | 6_7 | DE0h | 22_23 |
| DC4h | 8_9 | DE4h | 24_25 |
| DC8h | 10_11 | DE8h | 26_27 |
| DCCh | 12_13 | DECh | 28_29 |
| DD0h | 14_15 | DF0h | 30_31 |

Register 15-49. DB4h – DF0h NT Port Link Interface Requester ID Translation LUT Entry_{n,m} (where _{n,m} = 0_1 through 30_31)

| Bit(s) | Description | | Type | Serial EEPROM and I ² C | Default |
|--------|---|---|-------|------------------------------------|---------|
| 0 | LUT Entry_n Enable 0 = Disables 1 = Enables | | RW | Yes | 0 |
| 1 | LUT Entry_n No Snoop Enable If Set, the NT Port Clears the TLP <i>No Snoop</i> attribute bit for the Memory Request, then goes from the NT Port Link Interface to the NT Port Virtual Interface, and re-calculates the End-to-end Cyclic Redundancy Check (ECRC). If the original TLP has an ECRC error, the NT Port corrupts the re-calculated ECRC before transmitting to the other Host domain. The NT Port sets the <i>No Snoop</i> attribute bit when it forwards the Completion TLP from the NT Port Virtual Interface to the NT Port Link Interface if this bit is Set for the corresponding Requester ID entry. This ECRC rule applies to Completion TLPs as well. 0 = Disables 1 = Enables | | RW | Yes | 0 |
| 2 | Reserved | | RsvdP | No | 0 |
| 7:3 | Requester ID on Link Side | Device Number LUT Entry _n Requester Device Number. | RW | Yes | 0000_0b |
| 15:8 | | Bus Number LUT Entry _n Requester Bus Number. | RW | Yes | 00h |
| 16 | LUT Entry_m Enable 0 = Disables 1 = Enables | | RW | Yes | 0 |
| 17 | LUT Entry_m No Snoop Enable If Set, the NT Port Clears the TLP <i>No Snoop</i> attribute bit for the Memory Request, then goes from the NT Port Link Interface to the NT Port Virtual Interface, and re-calculates the ECRC. If the original TLP has an ECRC error, the NT Port corrupts the re-calculated ECRC before transmitting to the other Host domain. The NT Port sets the <i>No Snoop</i> attribute bit when it forwards the Completion TLP from the NT Port Virtual Interface to the NT Link Virtual Interface if this bit is Set for the corresponding Requester ID entry. This ECRC rule applies to Completion TLPs as well. 0 = Disables 1 = Enables | | RW | Yes | 0 |
| 18 | Reserved | | RsvdP | No | 0 |
| 23:19 | Requester ID on Link Side | Device Number LUT Entry _m Requester Device Number. | RW | Yes | 0000_0b |
| 31:24 | | Bus Number LUT Entry _m Requester Bus Number. | RW | Yes | 00h |

15.16 NT Port Link Interface Device-Specific Registers – Source Queue Weight (Offsets F00h – F30h)

Register offset [F10h](#), detailed in [Section 12.16.13, “Device-Specific Registers – Source Queue Weight and Soft Error \(Offsets F00h – F30h\)”](#), is also applicable to the NT Port Link Interface. The remaining registers within the register set are *reserved* in the NT Port Link Interface, as defined in the [Table 15-18](#) register map.

Other NT Port Link Interface Device-Specific registers are detailed in [Section 15.14, “NT Port Link Interface Device-Specific Registers \(Offsets 1C0h – C88h\)”](#).

Table 15-18. NT Port Link Interface Device-Specific Source Queue Weight Register Map (Offsets F00h – F30h)

| | | | | | | | | | | | | | | | | | | | | | | | | | | | | | | | | | | | | | | | | |
|-----------------|----|----|----|----|----|----|----|----|----|----|----|----|----|----|----|---|----|----|----|----|----|---|---|---|---|---|---|--------|------|---|---|--|--|--|--|--|--|--|--|------|
| 31 | 30 | 29 | 28 | 27 | 26 | 25 | 24 | 23 | 22 | 21 | 20 | 19 | 18 | 17 | 16 | 15 | 14 | 13 | 12 | 11 | 10 | 9 | 8 | 7 | 6 | 5 | 4 | 3 | 2 | 1 | 0 | | | | | | | | | |
| <i>Reserved</i> | | | | | | | | | | | | | | | | | | | | | | | | | | | | F00h – | F0Ch | | | | | | | | | | | |
| | | | | | | | | | | | | | | | | Port Egress TLP Threshold | | | | | | | | | | | | | | | | | | | | | | | | F10h |
| <i>Reserved</i> | | | | | | | | | | | | | | | | | | | | | | | | | | | | F14h – | F30h | | | | | | | | | | | |

15.17 NT Port Link Interface Advanced Error Reporting Extended Capability Registers (Offsets FB4h – FDCh)

The registers detailed in Section 12.17, “Advanced Error Reporting Extended Capability Registers (Offsets FB4h – FDCh),” are also applicable to the NT Port Link Interface, except for the **Next Capability Offset** value, as defined in Table 15-19 (register map) and Register 15-50.

Table 15-19. NT Port Link Interface Advanced Error Reporting Extended Capability Register Map

| 31 30 29 28 27 26 25 24 23 22 21 20 19 18 17 16 | | | | | | | | | | | | | | | | 15 14 13 12 11 10 9 8 7 6 5 4 3 2 1 0 | | | | | | | | | | | | | | | | | | | | | | | | | | | | | | | | |
|---|--|--|--|--|--|--|--|--|--|--|--|--|--|--|--|---------------------------------------|--|--|--|--|--|--|--|--|--|--|--|--|--|--|--|--|--|--|--|--|--|--|--|--|--|--|--|--|--|--|--|--|
| Next Capability Offset (138h) | | | | | | | | | | | | | | | | Capability Version (1h) | | | | | | | | | | | | | | | | PCI Express Extended Capability ID (0001h) | | | | | | | | | | | | | | | | |
| Uncorrectable Error Status | | | | | | | | | | | | | | | | | | | | | | | | | | | | | | | | FB4h | | | | | | | | | | | | | | | | |
| Uncorrectable Error Mask | | | | | | | | | | | | | | | | | | | | | | | | | | | | | | | | FB8h | | | | | | | | | | | | | | | | |
| Uncorrectable Error Severity | | | | | | | | | | | | | | | | | | | | | | | | | | | | | | | | FBCh | | | | | | | | | | | | | | | | |
| Correctable Error Status | | | | | | | | | | | | | | | | | | | | | | | | | | | | | | | | FC0h | | | | | | | | | | | | | | | | |
| Correctable Error Mask | | | | | | | | | | | | | | | | | | | | | | | | | | | | | | | | FC4h | | | | | | | | | | | | | | | | |
| Advanced Error Capabilities and Control | | | | | | | | | | | | | | | | | | | | | | | | | | | | | | | | FC8h | | | | | | | | | | | | | | | | |
| Header Log 0 | | | | | | | | | | | | | | | | | | | | | | | | | | | | | | | | FCCCh | | | | | | | | | | | | | | | | |
| Header Log 1 | | | | | | | | | | | | | | | | | | | | | | | | | | | | | | | | FD0h | | | | | | | | | | | | | | | | |
| Header Log 2 | | | | | | | | | | | | | | | | | | | | | | | | | | | | | | | | FD4h | | | | | | | | | | | | | | | | |
| Header Log 3 | | | | | | | | | | | | | | | | | | | | | | | | | | | | | | | | FD8h | | | | | | | | | | | | | | | | |
| Header Log 3 | | | | | | | | | | | | | | | | | | | | | | | | | | | | | | | | FDCh | | | | | | | | | | | | | | | | |

Register 15-50. FB4h Advanced Error Reporting Extended Capability Header

| Bit(s) | Description | Type | Serial EEPROM and I ² C | Default |
|--------|---|------|------------------------------------|---------|
| 15:0 | PCI Express Extended Capability ID | RO | Yes | 0001h |
| 19:16 | Capability Version | RO | Yes | 1h |
| 31:20 | Next Capability Offset Program to 138h, which addresses the upstream Port/NT Port Link Interface Power Budget Extended Capability structure. | RO | Yes | 138h |

THIS PAGE INTENTIONALLY LEFT BLANK.



Chapter 16 Test and Debug

16.1 Introduction

This chapter describes the following test- and debug-related information:

- [Physical Layer Loopback Operation](#)
- [Using the SerDes Quad x Diagnostic Data Registers](#)
- [Pseudo-Random and Bit-Pattern Generation](#)
- [PHY Testability Features](#)
- [JTAG Interface](#)
- [Port Good Status LEDs](#)

16.2 Physical Layer Loopback Operation

16.2.1 Overview

Physical Layer (PHY) Loopback functions are used to test the SerDes in the PEX 8624, connections between devices, and SerDes of external devices, as well as various PEX 8624 and external digital logic. The PEX 8624 supports four types of Loopback operations, as described in [Table 16-1](#). Additional information regarding each type is provided in the sections that follow.

Table 16-1. Loopback Operations

| Operation | Description |
|------------------------------|--|
| Analog Loopback Master Mode | <p>Analog Loopback Master mode depends upon an external device or dumb connection (<i>such as a cable</i>) to loop back the transmitted data to the PEX 8624. If an external device is used, it must not include its Elastic buffer in the Loopback data path, because no SKIP Ordered-Sets are transmitted. Use the PRBS generator and checker to create and check the data pattern.</p> <p>The corresponding PEX 8624 Port enters Analog Loopback Master mode when a Port's Physical Layer Port Command register <i>Port x Loopback Command</i> bit (Port 0, 4, or 8, and also NT Port Virtual Interface if Port 0 is the NT Port, offset 230h[0, 4, or 8]) is Set.</p> |
| Digital Loopback Master Mode | <p>As with Analog Loopback Master mode, Digital Loopback Master mode depends upon an external device to loop back the transmitted data. This method is best used with an external device that includes at least its Elastic buffer in the Loopback data path. The PEX 8624 provides a programmable data pattern generator and checker that inserts the SKIP Ordered-Set at the proper intervals.</p> <p>The corresponding PEX 8624 Port enters Digital Loopback Master mode when a Port's Physical Layer Port Command register <i>Port x Loopback Command</i> bit (Port 0, 4, or 8, and also NT Port Virtual Interface if Port 0 is the NT Port, offset 230h[0, 4, or 8]) is Set.</p> |
| Analog Loopback Slave Mode | <p>The corresponding PEX 8624 Port enters Analog Loopback Slave mode when an external device transmits Training Sets with the <i>Loopback Training Control Bit</i> Set and the Physical Layer Test register <i>Analog Loopback Enable</i> bit (Port 0, 4, or 8, and also NT Port Virtual Interface if Port 0 is the NT Port, offset 228h[6]) is Set. The received data is looped back from the SerDes 10-bit Receive interface to the 10-bit Transmit interface.</p> |
| Digital Loopback Slave Mode | <p>The corresponding PEX 8624 Port Digital Loopback Slave mode when an external device transmits Training Sets with the <i>Loopback Training Control Bit</i> Set and the Physical Layer Test register <i>Analog Loopback Enable</i> bit (Port 0, 4, or 8, and also NT Port Virtual Interface if Port 0 is the NT Port, offset 228h[6]) is Cleared. In this mode, the data is looped back at an 8-bit level, which includes the PEX 8624's Elastic buffer, 8b/10b decoder, and 8b/10b encoder in the loopback data path.</p> |

16.2.2 Analog Loopback Master Mode

Analog Loopback Master mode is typically used for Analog Far-End testing, as illustrated in Figure 16-1.

The mode can also be used to re-create the previously described BIST, by looping back the data with a cable. Looping back with a cable includes the internal bond, external balls, board trace, and connectors in the test data path, as illustrated in Figure 16-2.

Figure 16-1. Analog Far-End Loopback

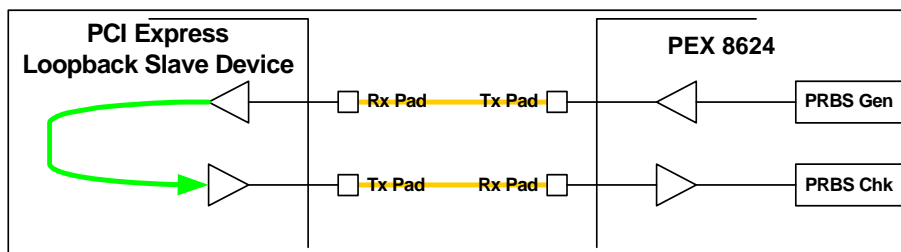
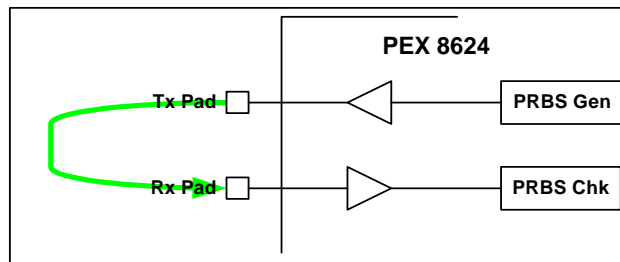


Figure 16-2. Cable Loopback



To cause a PEX 8624 Port to request to become a Loopback Master:

1. After the Link is up, a Configuration Write to the Port's **Physical Layer Port Command** register *Port x Loopback Command* bit (Port 0, 4, or 8, and also NT Port Virtual Interface if Port 0 is the NT Port, offset 230h[0, 4, or 8]) causes the Port to transition from the L0 Link PM state to Recovery, and then to the *Loopback* state:
 - If a cable is used for the loopback, the Port transitions from the *Configuration* state to the *Loopback* state. Connect the cable only after the upstream Link is up and Configuration Writes are possible.
 - If the cable is connected before the upstream device is able to Set the *Port x Loopback Command* bit, the Link with the cable may reach the L0 Link PM state and not go to the *Loopback* state. In this case, the Port must be forced to the *Recovery* state, by Setting the Port's **Link Control** register *Retrain Link* bit (offset 78h[5]).
 - Cable length is limited only by the PCI Express drivers and cable properties.
2. After the Port is in the *Loopback* state, the Port's **Physical Layer Port Command** register *Port x Ready as Loopback Master* bit (Port 0, 4, or 8, and also NT Port Virtual Interface if Port 0 is the NT Port, offset 230h[3, 7, or 11]) is Set:
 - At this time, the PRBS engine can be enabled by Setting the **Physical Layer Test** register *SerDes Quad x PRBS Enable* bit (Port 0, 4, or 8, and also NT Port Virtual Interface if Port 0 is the NT Port, offset 228h[18:16]) associated with the SerDes assigned to the Port being tested.
 - The PRBS checker checks the returned PRBS data. Any errors are logged in the **SerDes Quad x Diagnostic Data** register (Port 0, 4, or 8, and also NT Port Virtual Interface if Port 0 is the NT Port, offsets 238h through 244h) that corresponds to the SerDes quad being tested.

16.2.3 Digital Loopback Master Mode

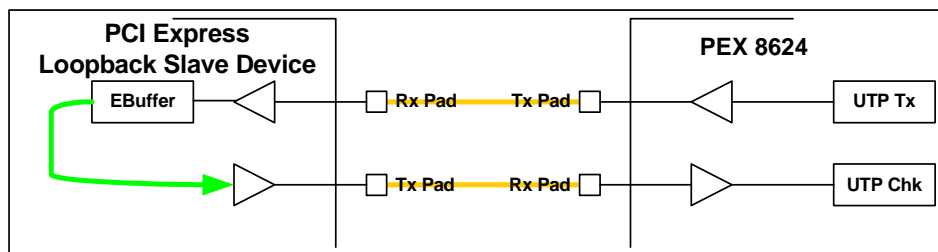
The only difference between Analog and Digital Loopback Master modes is that the external device is assumed to retain, to some extent, its digital logic in the loopback data path. Because this includes the Elastic buffer, SKIP Ordered-Sets must be included in the test pattern. For the PEX 8624, this precludes PRBS engine use, because the PRBS generator does not generate SKIP Ordered-Sets.

The PEX 8624 provides the programmable test pattern Transmitter for Digital Far-End Loopback testing, as illustrated in Figure 16-3. After Digital Loopback Master mode is established, Configuration Writes are used to fill the **Physical Layer User Test Pattern, Bytes x through y** registers (Port 0, 4, or 8, and also NT Port Virtual Interface if Port 0 is the NT Port, offsets 210h through 21Ch). The **Physical Layer Test** register *SerDes Quad x User Test Pattern Enable* bit (Port 0, 4, or 8, and also NT Port Virtual Interface if Port 0 is the NT Port, offset 228h[30:28]) associated with the SerDes assigned to the Port being tested, is Set, which starts the transmission of the test pattern on a bit per Lane basis. If one or more of the **Physical Layer Test** register *SerDes Quad x PRBS Enable* bits (Port 0, 4, or 8, and also NT Port Virtual Interface if Port 0 is the NT Port, offset 228h[18:16]) are also Set, the test pattern is transmitted on all Lanes of the corresponding Port, regardless of the Port's width. However, if the *SerDes Quad x PRBS Enable* bit is Cleared, the test pattern is transmitted only on the corresponding SerDes quad Lanes.

SKIP Ordered-Sets are inserted at an interval determined by the **SKIP Ordered-Set Interval** register *SKIP Ordered-Set Interval* field (Port 0, 4, or 8, and also NT Port Virtual Interface if Port 0 is the NT Port, offset 234h[11:0]) value (default is 1,180 symbol times), at the nearest data pattern boundary.

The Test Pattern checker ignores SKIP Ordered-Sets returned by the Loopback Slave, because the number of SKIP symbols received can differ from the number transmitted. All other data is compared to the transmitted data, and errors are logged in the **SerDes Quad x Diagnostic Data** register (Port 0, 4, or 8, and also NT Port Virtual Interface if Port 0 is the NT Port, offsets 238h through 244h), for the SerDes quad associated with that Port.

Figure 16-3. Digital Far-End Loopback



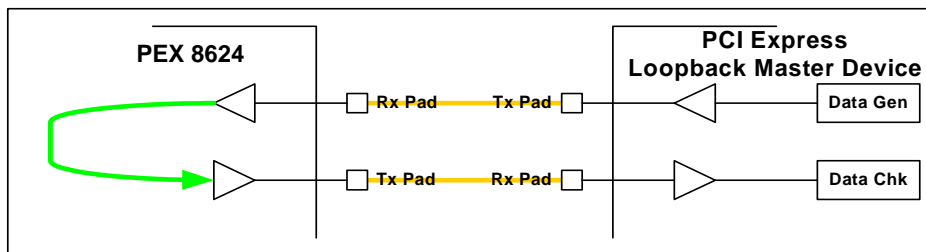
16.2.4 Analog Loopback Slave Mode

The PEX 8624 becomes an Analog Loopback Slave if it receives Training Sets with the *Loopback Training Control Bit* Set while the **Physical Layer Test** register *Analog Loopback Enable* bit (Port 0, 4, or 8, and also NT Port Virtual Interface if Port 0 is the NT Port, offset 228h[6]) is Set. While it is an Analog Loopback Slave, the PEX 8624 includes only the SerDes in the loopback data path. The Loopback Master must provide the test pattern and data pattern checking. It is unnecessary for the Loopback Master to include SKIP Ordered-Sets in the data pattern.

Figure 16-4 illustrates the loopback data path when Analog Loopback Slave mode is enabled.

Note: There is no scrambling nor de-scrambling logic in the Slave analog loopback data path.

Figure 16-4. Analog Loopback Slave Mode



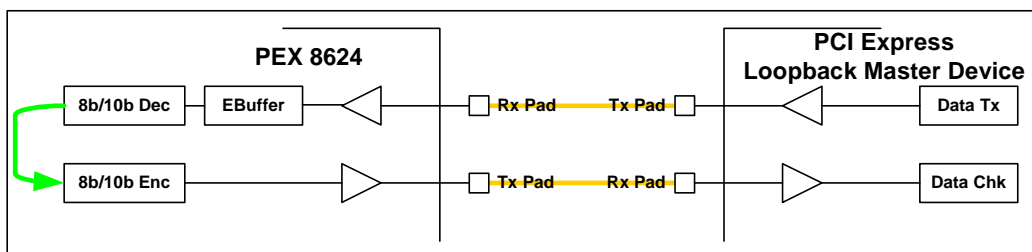
16.2.5 Digital Loopback Slave Mode

The PEX 8624 becomes a Digital Loopback Slave if it receives Training Sets with the *Loopback Training Control Bit* Set while the **Physical Layer Test** register *Analog Loopback Enable* bit (Port 0, 4, or 8, and also NT Port Virtual Interface if Port 0 is the NT Port, offset 228h[6]) is Cleared.

When a PEX 8624 Port is a Digital Loopback Slave, the Port includes the Elastic buffer and 8b/10b decoder and encoder in the loopback data path. The Loopback Master must provide the test pattern and data pattern checker. The Loopback Master must also transmit SKIP Ordered-Sets with the data pattern. Because the PEX 8624 can return more or fewer SKIP symbols than it receives, the data checker must make provisions for this possibility.

Note: There is no scrambling nor de-scrambling logic in the Slave digital loopback data path.

Figure 16-5. Digital Loopback Slave Mode



16.3 Using the SerDes Quad x Diagnostic Data Registers

Each SerDes quad has its own Diagnostic Data register, per Station. The **SerDes Quad x Diagnostic Data** register (Port 0, 4, or 8, and also NT Port Virtual Interface if Port 0 is the NT Port, offsets 238h through 244h) contents reflect the performance of the SerDes selected by the registers' *SerDes Diagnostic Data Select* field [25:24]. This control is specific to this register (which reports results of UTP and PRBS tests).

When field [25:24] is Cleared, the information in that Diagnostic Data register is for the first SerDes within that SerDes quad. When field [25:24] is programmed to 01b, the information in that Diagnostic Data register is for the second SerDes within that SerDes quad, as illustrated in Table 16-2. Following this pattern, a value of 10b indicates the third SerDes within that SerDes quad, and a value of 11b indicates the fourth SerDes within that SerDes quad. If a SerDes module does not exist in that position, the bits are "*Factory Test Only*," *reserved* (RsvdP), and not serial EEPROM nor I²C writable.

Table 16-2. SerDes Quad x Diagnostic Data Register Contents When *SerDes Diagnostic Data Select* Field [25:24]=01b

| Port 0, 4, or 8 Register Offset (For NT, Ports 4 and 8 are Reserved) | Register | Port 0 | Port 4 | Port 8 |
|--|-------------------------------|--------------------------|--------------------------|--------------------------|
| 238h | SerDes Quad 0 Diagnostic Data | SerDes 1 | <i>Factory Test Only</i> | SerDes 33 |
| 23Ch | SerDes Quad 1 Diagnostic Data | SerDes 5 | <i>Factory Test Only</i> | SerDes 37 |
| 240h | SerDes Quad 2 Diagnostic Data | <i>Factory Test Only</i> | SerDes 25 | <i>Factory Test Only</i> |
| 244h | SerDes Quad 3 Diagnostic Data | <i>Factory Test Only</i> | SerDes 29 | <i>Factory Test Only</i> |

16.4 Pseudo-Random and Bit-Pattern Generation

Each SerDes quad has an associated PRBS generator and checker. The PRBS generator is based upon a 7-bit **Linear Feedback Shift** register (**LFSR**), which can generate up to $(2^7 - 1)$ unique patterns. The PRBS logic is assigned to a SerDes in the quad, by manipulating the **SerDes Quad x Diagnostic Data** register *SerDes Diagnostic Data Select* bits (Port 0, 4, or 8, and also NT Port Virtual Interface if Port 0 is the NT Port, offsets 238h through 244h[25:24]), for the SerDes quad associated with that Port. The PRBS bit stream is used for Analog Far-End Loopback testing.

The PEX 8624 also provides a method of creating a repeating programmable bit pattern. Each of the four 32-bit **Physical Layer User Test Pattern, Bytes x through y** registers (Port 0, 4, or 8, and also NT Port Virtual Interface if Port 0 is the NT Port, offsets 210h through 21Ch) are loaded with a 32-bit data pattern. After a Port is established as a Loopback Master, Set the **Physical Layer Test** register *SerDes Quad x User Test Pattern Enable* bit (Port 0, 4, or 8, and also NT Port Virtual Interface if Port 0 is the NT Port, offset 228h[30:28]), for the SerDes quad associated with that Port. The PEX 8624 proceeds to transmit the data pattern on all Lanes, starting with Byte 0 of the **Physical Layer User Test Pattern, Bytes 0 through 3** register and continuing, in sequence, through Byte 3 of the **Physical Layer User Test Pattern, Bytes 12 through 15** register. SKIP Ordered-Sets are inserted at the proper intervals, which makes this method appropriate for Digital Far-End Loopback testing. The received pattern is compared to the transmitted pattern. Any errors are logged in one or more of the **SerDes Quad x Diagnostic Data** register RO bits (Port 0, 4, or 8, and also NT Port Virtual Interface if Port 0 is the NT Port, offsets 238h through 244h, bits [30 and 23:0]). The errors can be retrieved, by reading the appropriate bit.

To produce a pseudo-clock bitstream in Analog Loopback mode, Set the registers as follows:

1. In the Slave device, enable Analog Loopback by Setting the **Physical Layer Test** register *Analog Loopback Enable* bit (Port 0, 4, or 8, and also NT Port Virtual Interface if Port 0 is the NT Port, offset 228h[6]).
2. In the PEX 8624 Loopback Master device:
 - a. Write the value 4A4A_4A4Ah into each of the **Physical Layer User Test Pattern, Bytes x through y** registers (Port 0, 4, or 8, and also NT Port Virtual Interface if Port 0 is the NT Port, offsets 210h through 21Ch).
 - b. Set the Port's **Physical Layer Port Command** register *Port x Loopback Command* bit (Port 0, 4, or 8, and also NT Port Virtual Interface if Port 0 is the NT Port, offset 230h[0, 4, or 8]).
 - c. To check whether loopback is successful, read the Port's **Physical Layer Port Command** register *Port x Ready as Loopback Master* bit (Port 0, 4, or 8, and also NT Port Virtual Interface if Port 0 is the NT Port, offset 230h[3, 7, or 11]) in the same Nibble that was Set in step a. The Nibble value will be 9h if loopback is successful.
 - d. Set the **Physical Layer Test** register *SerDes Quad x User Test Pattern Enable* bit (Port 0, 4, or 8, and also NT Port Virtual Interface if Port 0 is the NT Port, offset 228h[30:28]) for the SerDes quad used by the Port selected in step b.
 - e. The interval between SKIP Ordered-Sets can be programmed in the **SKIP Ordered-Set Interval** register *SKIP Ordered-Set Interval* field (Port 0, 4, or 8, and also NT Port Virtual Interface if Port 0 is the NT Port, offset 234h[11:0]).

Note: A high value (such as FFFh) can cause the Link to fail.

3. Exit Loopback mode, by Clearing the following registers, in the sequence listed:
 - a. **Physical Layer Port Command** register (Port 0, 4, or 8, and also NT Port Virtual Interface if Port 0 is the NT Port, offset 230h), for the Port selected in step [b](#).
 - b. **Physical Layer Test** register (Port 0, 4, or 8, and also NT Port Virtual Interface if Port 0 is the NT Port, offset 228h), for the SerDes quad used by the Port selected in step [d](#).

After the registers are Cleared, the Link will re-establish itself.

16.5 PHY Testability Features

The PEX 8624 includes several Configuration bits to ease PHY testability. Features include:

- Full support of the standard and modified compliance patterns
- Register controllability of the common block and Lane-specific inputs of the SerDes

Table 16-3 describes the Configuration bits.

Table 16-3. Configuration Bits to Ease PHY Testability

| Register Bit(s) ^a | Description |
|--|--|
| <p><i>SerDes x Mask Electrical Idle Detect</i></p> <p>Physical Layer Electrical Idle Detect Mask register (offset 204h[15:0])</p> | When any one of these bits is Set, the Electrical Idle condition flag of the corresponding Lane does not assert, regardless of the actual presence of Electrical Idle. |
| <p><i>SerDes x Mask Receiver Not Detected</i></p> <p>Physical Layer Receiver Not Detected Mask register (offset 204h[31:16])</p> | When any one of these bits is Set, the PHY functions as if a Receiver was detected on the corresponding Lane, regardless of the actual presence of a Receiver. |
| <p><i>Test Pattern x</i></p> <p>Physical Layer User Test Pattern, Bytes x through y registers (offsets 210h through 21Ch)</p> | A 16-byte test pattern can be written to these four registers. When UTP transmission is enabled, Byte 0 of register offset 210h is transmitted first and Byte 3 (Byte 15 of the UTP) of register offset 21Ch is transmitted last. (Refer to Section 16.2.3 for further details.) Every byte of the UTP is a Control or Data character. Illegal Control characters can be specified. |
| <p><i>Port x Scrambler Disable Command</i></p> <p>Physical Layer Port Command register (offset 230h[1, 5, or 9])</p> | When Set, unconditionally disables the data scramblers on the Lanes of the corresponding Port and causes the <i>Scrambler Disable Training Control Bit</i> to be Set in transmitted Training Sets. There is one bit for each Port in the associated Station. |
| <p><i>Disable Port x</i></p> <p>Port Control register (offset 234h[18:16])</p> | When Set, unconditionally disables the corresponding Port. This is different from the Link Training and Status State Machine (LTSSM) <i>Disabled</i> state, in that the Port does not attempt to enter this state. If the Port is idle, it ceases attempting to detect a Receiver. If the Port is up, it immediately returns to the <i>Detect.Quiet</i> state and remains there. No Electrical Idle Ordered-Set (EIOS) is sent, which could force any connected device to the <i>Recovery</i> state, and then to the LTSSM <i>Detect</i> state. The Port remains disabled until its <i>Disable Port x</i> bit is Cleared. While the Port is disabled, Receiver termination is disabled and the SerDes that belong to the disabled Port are placed into the L1 Link PM state. |
| <p><i>Port x Quiet</i></p> <p>Port Control register (offset 234h[22:20])</p> | When Set, the LTSSM remains in the <i>Detect.Quiet</i> state if it is currently in, or returns to, that state. Unlike the <i>Disable Port x</i> bits (bits [18:16]), these bits do not force the LTSSM into the <i>Detect.Quiet</i> state. Once in the <i>Detect.Quiet</i> state, Receiver termination is enabled and the Transmitters are placed in the L0 Link PM state. This Port can now transmit test patterns (PRBS or UTP), with or without an attached device and without being in the <i>Loopback.Active</i> state. |

Table 16-3. Configuration Bits to Ease PHY Testability (Cont.)

| Register Bit(s) ^a | Description |
|--|---|
| <p style="text-align: center;"><i>Test Pattern x Rate</i></p> <p style="text-align: center;">Port Control register (offset 234h[27:24])</p> | <p>When Set along with a <i>Port x Quiet</i> bit (bits [22:20]), the selected test pattern is transmitted at 5.0 GT/s for the corresponding Port.</p> |
| <p style="text-align: center;"><i>Port x Receiver Error Counter</i></p> <p style="text-align: center;">Port Receiver Error Counter register (offset 248h[23:0])</p> | <p>Contains four 8-bit fields that, when read, return the number of Receiver errors detected by the corresponding Port. The Error Counter saturates at 255. The Counter is Cleared with any Write to the corresponding byte in this register; otherwise, this register is RO.</p> |

a. All registers listed in this table are located, as follows:

Port 0, 4, or 8, and also NT Port Virtual Interface if Port 0 is the NT Port.

16.6 JTAG Interface

The PEX 8624 provides a Joint Test Action Group (JTAG) Boundary Scan interface, which is used to debug board connectivity for each ball.

16.6.1 *IEEE 1149.1* and *IEEE 1149.6* Test Access Port

The *IEEE Standard 1149.1* Test Access Port (TAP), commonly called the *JTAG Debug Port*, is an architectural standard described in the *IEEE Standard 1149.1-1990*. The *IEEE Standard 1149.6-2003* defines extensions to *1149.1* to support PCI Express SerDes testing. These standards describe methods for accessing internal device facilities, using a four- or five-signal interface.

The JTAG Debug Port, originally designed to support scan-based board testing, is enhanced to support the attachment of debug tools. The enhancements, which comply with the *IEEE Standard 1149.1-1994 Specifications for Vendor-Specific Extensions*, are compatible with standard JTAG hardware for boundary-scan system testing.

- **JTAG Signals** – JTAG Debug Port implements the four required JTAG signals – [JTAG_TCK](#), [JTAG_TDI](#), [JTAG_TDO](#), [JTAG_TMS](#) – and optional [JTAG_TRST#](#) signal
- **Clock Requirements** – JTAG_TCK signal frequency ranges from 0 to 20 MHz
- **JTAG Reset Requirements** – Refer to [Section 16.6.4](#)

16.6.2 JTAG Instructions

The JTAG Debug Port provides the *IEEE Standard 1149.1-1990* BYPASS, EXTEST, SAMPLE, PRELOAD, CLAMP, and IDCODE instructions. *IEEE Standard 1149.6-2003* EXTEST_PULSE and EXTEST_TRAIN instructions are also supported. [Table 16-4](#) lists the JTAG instructions, along with their input codes.

The PEX 8624 returns the JTAG IDCODE values listed in [Table 16-5](#).

Table 16-4. JTAG Instructions

| Instruction | Input Code | Comments |
|--------------|------------|----------------------------------|
| BYPASS | 3FFF_FFFFh | <i>IEEE Standard 1149.1-1990</i> |
| EXTEST | 3FFF_FFE8h | |
| SAMPLE | 3FFF_FFF8h | |
| PRELOAD | 3FFF_FFF8h | |
| EXTEST_PULSE | 3FFB_FFE8h | <i>IEEE Standard 1149.6-2003</i> |
| EXTEST_TRAIN | 3FE9_FFE8h | |
| CLAMP | 3FFF_FFEFh | <i>IEEE Standard 1149.1-1990</i> |
| IDCODE | 3FFF_FFFEh | |

Table 16-5. JTAG IDCODE Values

| Silicon Revision | Units | Version | Part Number | PLX Manufacturer Identity | Least Significant Bit |
|------------------|---------|---------|----------------------|---------------------------|-----------------------|
| AA | Bits | 0000b | 1000_0110_0010_0100b | 001_1100_1101b | 1 |
| | Hex | 0h | 8624h | 1CDh | 1h |
| | Decimal | 0 | 34340 | 461 | 1 |
| AB | Bits | 0001b | 1000_0110_0010_0100b | 001_1100_1101b | 1 |
| | Hex | 1h | 8624h | 1CDh | 1h |
| | Decimal | 1 | 34340 | 461 | 1 |
| BB | Bits | 0100b | 1000_0110_0010_0100b | 001_1100_1101b | 1 |
| | Hex | 4h | 8624h | 1CDh | 1h |
| | Decimal | 4 | 34340 | 461 | 1 |

16.6.3 JTAG Boundary Scan

Boundary Scan Description Language (BSDL), IEEE Standard 1149.1-1994, is a supplement to the IEEE Standard 1149.1-1990 and IEEE Standard 1149.1a-1993, IEEE Standard Test Access Port and Boundary-Scan Architecture. BSDL, a subset of the IEEE 1076-1993 Standard VHSIC Hardware Description Language (VHDL), allows a rigorous description of testability features in components which comply with the standard. This standard is used by automated test pattern generation tools for package interconnect tests, and Electronic Design Automation (EDA) tools for synthesized test logic and verification. BSDL supports robust extensions that can be used for internal test generation and to write software for hardware debug and diagnostics.

The primary components of BSDL include the logical Port description, physical ball map, instruction set, and **Boundary** register description.

The logical Port description assigns symbolic names to the device's signal balls. Each ball includes a logical type of *in*, *out*, *in out*, *buffer*, or *linkage* that defines the logical direction of signal flow.

The physical ball map correlates the device's logical Ports to the physical balls of a specific package. A BSDL description can include several physical ball maps, and maps are provided with a unique name.

Instruction set statements describe the bit patterns that must be shifted into the **Instruction** register to place the device in the various test modes defined by the standard. Instruction set statements also support descriptions of instructions that are unique to the PEX 8624.

The **Boundary** register description lists each cell or shift stage of the **Boundary** register. Each cell has a unique number – the cell numbered 0 is the closest to the **JTAG Test Data Output (JTAG_TDO)**, and the cell with the highest number is closest to the **JTAG Test Data Input (JTAG_TDI)**. Each cell includes additional information, *such as*:

- Cell type
- Logical Port associated with the cell
- Logical function of the cell
- Safe value
- Control cell number
- Disable value
- Result value

16.6.4 JTAG Reset Input – JTAG_TRST#

The **JTAG_TRST#** input is the asynchronous JTAG logic reset. When **JTAG_TRST#** is Set Low, it causes the PEX 8624's JTAG TAP Controller to initialize. In addition, when the JTAG TAP Controller is initialized, it selects the PEX 8624 standard logic path (core-to-I/O). It is recommended to take the following into consideration when implementing the asynchronous JTAG logic reset on a board:

- If JTAG functionality is required, consider one of the following:
 - **JTAG_TRST#** input to use a Low-to-High transition once during PEX 8624 boot-up, along with the system **PEX_PERST#** signal
 - Hold **JTAG_TMS** input High while clocking the **JTAG_TCK** input five times
- If JTAG functionality is not required, the **JTAG_TRST#** input must be directly connected to **VSS**, to hold the JTAG TAP Controller inactive
- If the PEX 8624's JTAG TAP Controller is not intended to be used by the design, it is recommended that a 1.5K Ω pull-down resistor be connected to the **JTAG_TRST#** input, to hold the JTAG TAP Controller in the *Test-Logic-Reset* state, which enables standard logic operation

16.7 Port Good Status LEDs

The PEX 8624 provides Port Good outputs, `PEX_PORT_GOOD[9, 8, 6, 5, 1, 0]#`, that can directly drive external common anode LED modules to provide visual indication that the PHY of that Port's Link is trained to at least x1 width. These outputs can:

- Default to the PORT_GOOD output function (when the `STRAP_TESTMODE[3:0]` inputs are asserted to 1011b or 1101b), –or–
- Be programmed as a general-purpose I/O, to assume the PORT_GOOD output function

Software can determine:

- Which Lanes have completed PHY linkup, by performing a Memory Read of the **Station x Lane Status** register *Lane Up Status* bits in Port 0:
 - Offset `1F4h[7:0]` corresponds to Station 0 Ports (Lanes [7-0], respectively)
 - Offset `1F4h[31:24]` corresponds to Station 1 Ports (Lanes [31-24], respectively)
 - Offset `270h[7:0]` corresponds to Station 2 Ports (Lanes [39-32], respectively)
- Whether the Link for each Port has trained, by reading either the **Link Status** register *Data Link Layer Link Active* bit (offset `78h[29]`), or **VC0 Resource Status** register *VC0 Negotiation Pending* bit (offset `160h[17]`) in each Port. If the *Data Link Layer Link Active* bit is Set, or *VC0 Negotiation Pending* bit is Cleared, the Link has completed Flow Control (FC) initialization.

The **Link Status** register can be read by either a PCI Express Configuration Request or Memory Read. The **VC0 Resource Status** register can be read by either a PCI Express Enhanced Configuration access or Memory Read.
- The negotiated Link width of each Port, by reading the **Link Status** register *Negotiated Link Width* field (offset `78h[25:20]`) in each Port. This register can be read by either a Configuration Request or Memory Read.

Table 16-6 describes the LED On/Off patterns when connected to the `PEX_PORT_GOOD[9, 8, 6, 5, 1, 0]#` signals.

Table 16-6. PEX_PORT_GOODx# LED On/Off Patterns, by State

| State | LED Pattern |
|--|---|
| Link is down | Off |
| Link is up, 5.0 GT/s, all Lanes are up | On |
| Link is up, 5.0 GT/s, reduced Lanes are up | Blinking, 0.5 seconds On, 0.5 seconds Off |
| Link is up, 2.5 GT/s, all Lanes are up | Blinking, 1.5 seconds On, 0.5 seconds Off |
| Link is up, 2.5 GT/s, reduced Lanes are up | Blinking, 0.5 seconds On, 1.5 seconds Off |

THIS PAGE INTENTIONALLY LEFT BLANK.



Chapter 17 Electrical Specifications

17.1 Introduction

This chapter provides the PEX 8624 electrical specifications.

17.2 Power-Up/Power-Down Sequence

The PEX 8624 does not have power sequencing requirements. The power rails can be powered up and powered down, in any sequence.

17.3 Absolute Maximum Ratings

Warning: *Maximum limits indicate the temperatures and voltages above which permanent damage can occur. Proper operation at these conditions is not guaranteed, and continuous operation of the PEX 8624 at these limits is not recommended.*

17.4 Power Characteristics

Table 17-1. Absolute Maximum Rating (All Voltages Referenced to VSS System Ground)

| Item | Symbol | Absolute Maximum Rating | Units |
|---|-----------|-------------------------|-------|
| I/O Interface Supply Voltage | VDD25 | -0.5 to +3.6 | V |
| Phase-Locked Loop (PLL) Supply Voltage | VDD25A | -0.5 to +3.6 | V |
| Core (Logic) Supply Voltage | VDD10 | -0.3 to +1.5 | V |
| SerDes Analog Supply Voltage | VDD10A | -0.3 to +1.5 | V |
| Input Voltage (2.5V Interface) | V_I | -0.3 to +3.6 | V |
| Operating Ambient Temperature (Commercial) | T_A | 0 to +70 | °C |
| Operating Ambient Temperature Commercial | T_A | 0 to +70 | °C |
| Industrial | | -40 to +85 | °C |
| Storage Temperature | T_{STG} | -65 to +150 | °C |

Table 17-2. Operating Condition Power Supply Rails

| Symbol | Parameter | Min | Typ | Max | Units |
|--------|--|------|------|------|-------|
| VDD10 | Digital Core Supply {1.0V ±5%} | 0.95 | 1.0 | 1.05 | V |
| VDD10A | Analog SerDes Supply {1.0V ±5%} | 0.95 | 1.0 | 1.05 | V |
| VDD25 | I/O Supply {2.5V ±10%} | 2.25 | 2.50 | 2.75 | V |
| VDD25A | Phase-Locked Loop (PLL) Supply {2.5V ±10%} | 2.25 | 2.50 | 2.75 | V |

17.5 Power Consumption Estimates

Table 17-3. Power Consumption Estimates (Watts)

| VDD10 (1.0V Digital) | | VDD10A (1.0V Digital) | | VDD25A (2.5V Digital) | | VDD25 (2.5V Digital) | | Total | |
|-------------------------|------|--------------------------|------|--------------------------|------|-------------------------|------|------------------|--------------------|
| Typ | Max | Typ | Max | Typ | Max | Typ | Max | Typ ^a | Max ^{b c} |
| 1.86 | 3.51 | 0.66 | 1.77 | 0.09 | 0.12 | 0.01 | 0.03 | 2.62 | 5.43 |

- Typical power based upon 35% traffic, idle Lanes in active L0s Power Management (PM) state, typical power rails (1.0V/2.50V).
- Maximum power based upon 85% traffic, idle Lanes in active L0s Link PM state, maximum power rails (1.05V/2.75V).
- Maximum power is at high temperature and Fast/Fast (FF) process corner silicon.

17.6 I/O Interface Signal Groupings

Table 17-4. Signal Group PCI Express Analog Interface

| Signal Group | Signal Type | Signals | Notes |
|--------------|--------------------------------------|----------------------------------|--|
| (a) | PCI Express Output (Transmit) | PEX_PETnx, PEX_PETpx | Refer to Table 17-6 and Table 17-7 |
| (b) | PCI Express Input (Receive) | PEX_PERnx, PEX_PERpx | Refer to Table 17-6 and Table 17-8 |
| (c) | PCI Express Differential Clock Input | PEX_REFCLKn, PEX_REFCLKp | Refer to Table 17-6 and Table 17-9 |
| (d) | SerDes External Resistor | REXT_A[4, 3, 0], REXT_B[4, 3, 0] | 1.43K Ω \pm 1%, and refer to Table 17-6 |

Table 17-5. Signal Group Digital Interface

| Signal Group | Signal Type | Signals | Note |
|--------------|---|---|---------------------|
| (e1) | Digital Input ^a | JTAG_TCK, JTAG_TDI, JTAG_TMS, JTAG_TRST#, STRAP_DEBUG_SEL[1:0], STRAP_FAST_BRINGUP#, STRAP_NT_ENABLE#, STRAP_NT_UPSTRM_PORTSEL[1:0], STRAP_PLL_BYPASS#, STRAP_PROBE_MODE#, STRAP_RESERVED[16, 8, 7, 4:0], STRAP_RESERVED17#, STRAP_SERDES_MODE_EN#, STRAP_STN0_PORTCFG1, STRAP_STN1_PORTCFG0, STRAP_STN2_PORTCFG1, STRAP_TESTMODE[3:0], STRAP_UPSTRM_PORTSEL[3:0] | Refer to Table 17-6 |
| (e2) | Digital Input ^a | HP_MRL_B#, I2C_ADDR[2:0], SHPC_INT# | |
| (f) | Digital Input with Internal Pull-down Resistor | HP_PWR_GOOD_[C, B, A] | |
| (g) | Digital Tri-State Output (8 mA) | EE_DI, FATAL_ERR#, JTAG_TDO, PEX_NT_RESET# | |
| (h) | Bidirectional with Internal Pull-up Resistor (8 mA Drive) | EE_CS#, EE_DO, EE_SK, HP_ATNLED_[C, B, A]#, HP_BUTTON_[C, B, A]#, HP_CLKEN_[C, B, A]#, HP_MRL_[C, A]#, HP_PERST_[C, B, A]#, HP_PRSNT_[C, B, A]#, HP_PWREN_[C, B, A], HP_PWRFLT_[C, B, A]#, HP_PWRLED_[C, B, A]#, GPIO[19:12], GPIO[11, 10, 7, 4:2], PEX_PERST#, PEX_PORT_GOOD[9, 8, 6, 5, 1, 0]#, SPARE[4:0] | |
| (i) | Bidirectional (Open Drain) with Internal Pull-up Resistor | PEX_INTA# | |
| (j) | Bidirectional (Open Drain) Schmitt Trigger Input | I2C_SCL0, I2C_SCL1, I2C_SDA0, I2C_SDA1 | |

a. These signals must be pulled or tied High to VDD25 or Low to VSS (GND), per the instructions provided in Section 3.4, “Signal Ball Descriptions.”

Table 17-6. Analog and Digital Interfaces (All Signal Groups) – DC Electrical Characteristics

| Symbol | Signal Group | Parameter | Min | Typ | Max | Unit | Conditions |
|---------------|---|--------------------------------------|-------|------|----------|----------|--------------------|
| I_{OL} | (g) (h) (i) (j) | Output Low Current | 13 | 22 | 32 | mA | $V_{OLmax} = 0.7V$ |
| I_{OH} | (g) (h) | Output High Current | 8 | 16 | 27 | mA | $V_{OHmin} = 1.7V$ |
| V_{IL} | (e1) (e2) (f) (h) (i) (j) | Input Low Voltage | -0.3 | | 0.7 | V | |
| V_{IH} | (e1) (e2) (f) (h) (i) (j) | Input High Voltage | 1.7 | | 2.8 | V | Refer to Note 1. |
| V_T | (e1) (e2) (f) (h) (i) | Threshold Point | 0.97 | 1.05 | 1.14 | V | |
| C_{PIN} | (a) (b) (c) (d) (e1) (e2) (f) (g) (h) (i) (j) | Ball Capacitance | | | 5 | pF | |
| $I_{LEAKAGE}$ | (g) | Tri-State Leakage | | | ± 10 | μA | |
| | (e1) | Input Leakage | | | ± 10 | μA | |
| | (e2) | Input Leakage | -22.6 | | -47.5 | μA | |
| | (h) (i) | Pull-Up Leakage | -22.6 | | -47.5 | μA | |
| | (f) | Pull-Down Leakage | 22.6 | | 54.4 | μA | |
| R_{PU} | (h) (i) | Pull-Up Impedance | 74K | 111K | 178K | Ω | |
| R_{PD} | (f) | Pull-Down Impedance | 62K | 99K | 179K | Ω | |
| V_T | (j) | Schmitt Trigger Rising Threshold | 1.2 | 1.3 | 1.4 | V | |
| | | Schmitt Trigger Falling Threshold | 0.84 | 0.93 | 1.01 | V | |
| V_{HYS} | (j) | Input Hysteresis | 360 | 370 | 390 | mV | |

Note:

1. The specified maximum V_{IH} is for recommended operating conditions. Because these I/O buffers are 3.3V tolerant, a maximum V_{IH} of 3.6V can safely be applied to these signal balls.

Table 17-7. 2.5 and 5.0 GT/s PCI Express Transmitter (Signal Group a) – AC and DC Characteristics

| Symbol | Parameter | 2.5 GT/s | 5.0 GT/s | Units | Comments |
|-----------------------------------|--|------------------------------|------------------------------|-----------|---|
| UI | Unit Interval | 399.88 (min) 400.12 (max) | 199.94 (min) 200.06 (max) | ps | The specified UI is equivalent to a tolerance of ± 300 ppm. UI does not account for variations caused by Spread-Spectrum Clock (SSC). Refer to Note 1. |
| $V_{TX-DIFF-PP}$ | Differential Peak-to-Peak Output Voltage | 0.8 (min) 1.2 (max) | 0.8 (min) 1.2 (max) | V | Measured with compliance test load. $V_{TX-DIFF-PP} = 2 \times V_{TX-D+} - V_{TX-D-} $ |
| $V_{TX-DIFF-PP-LOW}$ | Low Power Differential Peak-to-Peak Output Voltage | 0.4 (min) 1.2 (max) | 0.4 (min) 1.2 (max) | V | Measured with compliance test load. $V_{TX-DIFF-PP-LOW} = 2 \times V_{TX-D+} - V_{TX-D-} $ Must be implemented with no de-emphasis. |
| $V_{TX-DE-RATIO-3.5dB}$ | Tx De-Emphasis Level Ratio | 3.0 (min) 4.0 (max) | 3.0 (min) 4.0 (max) | dB | Ratio of the $V_{TX-DIFF-PP}$ of the 2 nd and following bits after a transition, divided by the $V_{TX-DIFF-PP}$ of the 1 st bit after a transition. Refer to Note 2. |
| $V_{TX-DE-RATIO-6dB}$ | Tx De-Emphasis Level Ratio | N/A | 5.5 (min) 6.5 (max) | dB | Ratio of the $V_{TX-DIFF-PP}$ of the 2 nd and following bits after a transition, divided by the $V_{TX-DIFF-PP}$ of the 1 st bit after a transition. Refer to Note 2. |
| $T_{MIN-PULSE}$ | Instantaneous Pulse Width (including all jitter sources) | Not specified | 0.9 (min) | UI | Measured relative to rising/falling pulse. Refer to Note 3. |
| T_{TX-EYE} | Minimum Tx Eye Width | 0.75 (min) | 0.75 (min) | UI | Does not include SSC nor REFCLK jitter. Includes Rj at 10^{-12} . Refer to Notes 3 and 4. |
| $T_{TX-EYE-MEDIAN-to-MAX-JITTER}$ | Maximum Time between the Jitter Median and Maximum Deviation from the Median | 0.125 (max) | Not specified | UI | Measured differentially at zero crossing points, after applying the 2.5 GT/s Clock Recovery function. Refer to Note 3. |
| $T_{TX-HF-DJ-DD}$ | Tx Deterministic Jitter > 1.5 MHz | Not specified | 0.15 (max) | UI | Deterministic jitter only. Refer to Note 3. |
| $T_{TX-LF-RMS}$ | Tx RMS Jitter < 1.5 MHz | Not specified | 3.0 | ps RMS | Total energy measured over a 10-kHz to 1.5-MHz range. |
| $T_{TX-RISE-FALL}$ | Tx Rise and Fall Time | 0.125 (min) | 0.15 (min) | UI | Measured differentially from 20 to 80% of swing. Refer to Note 3. |
| $T_{RF-MISMATCH}$ | Tx Rise/Fall Mismatch | Not specified | 0.1 (max) | UI | Measured from 20 to 80% differentially. Refer to Note 3. |
| BW_{TX-PLL} | Maximum Tx PLL Bandwidth | 22 (max) | 16 (max) | MHz | Second Order PLL Jitter Transfer Bounding function. Refer to Note 5. |

Table 17-7. 2.5 and 5.0 GT/s PCI Express Transmitter (Signal Group a) – AC and DC Characteristics (Cont.)

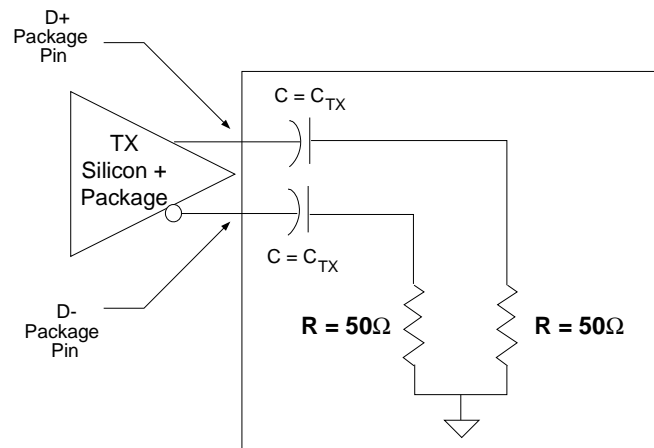
| Symbol | Parameter | 2.5 GT/s | 5.0 GT/s | Units | Comments |
|----------------------------------|--|-----------------------|--|----------|--|
| $BW_{TX-PLL-LO-3DB}$ | Minimum Tx PLL Bandwidth for 3-dB Peaking | 1.5 (min) | 8 (min) | MHz | Second Order PLL Jitter Transfer Bounding function. Refer to Notes 5 and 7. |
| $BW_{TX-PLL-LO-1DB}$ | Minimum Tx PLL Bandwidth for 1-dB Peaking | Not specified | 5 (min) | MHz | |
| $PKG_{TX-PLL1}$ | TX PLL Peaking with 8-MHz Minimum Bandwidth | Not specified | 3.0 (max) | dB | |
| $PKG_{TX-PLL2}$ | TX PLL peaking with 5-MHz Minimum Bandwidth | Not specified | 1.0 (max) | dB | Refer to Note 7. |
| $RL_{TX-DIFF}$ | TX Differential Return Loss (Package + Silicon) | 10 (min) | 10 (min) for 0.05 to 1.25 GHz 8 (min) for 1.25 to 2.5 GHz | dB | |
| RL_{TX-CM} | TX Common Mode Return Loss (Package + Silicon) | 6 (min) | 6 (min) | dB | S_{11} parameter. 2.5 GT/s – Measured over 0.05- to 1.25-GHz range. 5.0 GT/s – Measured over 0.05- to 2.5-GHz range. |
| $Z_{TX-DIFF-DC}$ | DC Differential Tx Impedance | 80 (min) 120 (max) | 120 (max) | Ω | Tx DC Differential mode low impedance. Parameter is captured for 5.0 GHz by $RL_{TX-DIFF}$. |
| $V_{TX-CM-AC-PP}$ | Tx AC Common Mode Voltage (5.0 GT/s) | Not specified | 100 (max) | mVPP | Refer to Note 6. |
| $V_{TX-CM-AC-P}$ | Tx AC Common Mode Voltage (2.5 GT/s) | 20 (max) | Not specified | mVPP | Refer to Note 6. |
| $I_{TX-SHORT}$ | Tx Short Circuit Current Limit | 90 (max) | 90 (max) | mA | Total current the Transmitter can provide when shorted to its Ground. |
| $V_{TX-DC-CM}$ | Tx DC Common Mode Voltage | 0 (min) 3.6 (max) | 0 (min) 3.6 (max) | V | Allowed DC common mode voltage, under any conditions. |
| $V_{TX-CM-DC-ACTIVE-IDLE-DELTA}$ | Absolute Delta of DC Common Mode Voltage during L0 Link PM state and Electrical Idle | 0 (min) 100 (max) | 0 (min) 100 (max) | mV | $ V_{TX-CM-DC} [\text{during L0}] - V_{TX-CM-Idle-DC} [\text{during Electrical Idle}] \leq 100 \text{ mV}$ $V_{TX-CM-DC} = DC_{(avg)} \text{ of } V_{TX-D+} + V_{TX-D-} / 2 [L0]$ $V_{TX-CM-Idle-DC} = DC_{(avg)} \text{ of } V_{TX-D+} + V_{TX-D-} / 2 [\text{Electrical Idle}]$ |

Table 17-7. 2.5 and 5.0 GT/s PCI Express Transmitter (Signal Group a) – AC and DC Characteristics (Cont.)

| Symbol | Parameter | 2.5 GT/s | 5.0 GT/s | Units | Comments |
|----------------------------|--|------------------------|------------------------|-------|---|
| $V_{TX-CM-DC-LINE-DELTA}$ | Absolute Delta of DC Common Mode Voltage between D+ and D- | 0 (min) 25 (max) | 0 (min) 25 (max) | mV | $ V_{TX-CM-DC-D+} - V_{TX-CM-DC-D-} \leq 25$ mV $V_{TX-CM-DC-D+} = DC_{(avg)} \text{ of } V_{TX-D+} $ $V_{TX-CM-DC-D-} = DC_{(avg)} \text{ of } V_{TX-D-} $ |
| $V_{TX-IDLE-DIFF-AC-P}$ | Electrical Idle Differential Peak Output Voltage | 0 (min) 20 (max) | 0 (min) 20 (max) | mV | $V_{TX-IDLE-DIFF-P} = V_{TX-ID1e-D+} - V_{TX-ID1e-D-} \leq 20$ mV Voltage must be high-pass filtered, to remove any DC component. |
| $V_{TX-IDLE-DIFF-DC}$ | DC Electrical Idle Differential Peak Output Voltage | Not specified | 0 (min) 5 (max) | mV | $V_{TX-IDLE-DIFF-DC} = V_{TX-ID1e-D+} - V_{TX-ID1e-D-} \leq 5$ mV Voltage must be high-pass filtered, to remove any AC component. |
| $V_{TX-RCV-DETECT}$ | Amount of Voltage Change Allowed during Receiver Detection | 600 (max) | 600 (max) | mV | Total amount of voltage change that a Transmitter can apply, to sense whether a low-impedance Receiver is present. |
| $T_{TX-IDLE-MIN}$ | Minimum Time Spent in Electrical Idle | 20 (min) | 20 (min) | ns | Minimum time a Transmitter must be in Electrical Idle. Used by the Receiver to start looking for an Electrical Idle Exit after successfully receiving an Electrical Idle Ordered-Set (EIOS). |
| $T_{TX-IDLE-SET-TO-IDLE}$ | Maximum Time to Transition to a Valid Electrical Idle after Sending an Electrical Idle Ordered-Set | 8 (max) | 8 (max) | ns | After sending the required EIOS, the Transmitter must meet all Electrical Idle specifications within this time. This is measured from the end of the last UI of the last EIOS to the Tx in Electrical Idle. |
| $T_{TX-IDLE-TO-DIFF-DATA}$ | Maximum Time to Transition to Valid Differential Signaling after Leaving Electrical Idle | 8 (max) | 8 (max) | ns | Maximum time to transition to valid differential signaling, after leaving Electrical Idle. This is considered a de-bounce time to the Tx. |
| $T_{CROSSLINK}$ | Cross-Link Random Timeout | 1.0 (max) | 1.0 (max) | ms | Random timeout that helps resolve potential conflicts in the cross-link configuration. |
| $L_{TX-SKEW}$ | Lane-to-Lane Output Skew | 500 ps + 2 UI (max) | 500 ps + 4 UI (max) | ps | Static skew between any two Lanes within a single Transmitter. |
| C_{TX} | AC-Coupling Capacitor | 75 (min) 200 (max) | 75 (min) 200 (max) | nF | All Transmitters shall be AC-coupled. The AC coupling is required either within the media, or within the transmitting component itself. |

Notes:

1. SSC permits a $\pm 0, -5,000$ ppm modulation of the clock frequency, at a modulation rate not to exceed 33 kHz.
2. Specified at the measurement point into a timing and voltage compliance test load, as illustrated in [Figure 17-1](#).

Figure 17-1. Compliance Test/Measurement Load

3. Measurements at 5.0 GT/s require an oscilloscope with a bandwidth of ≥ 12.5 GHz, or equivalent, while measurements made at 2.5 GT/s require a scope with at least 6.2 GHz bandwidth. Measurements at 5.0 GT/s must de-convolve effects of the compliance test board, to yield an effective measurement at the Tx balls. 2.5 GT/s can be measured within 200 mils of the Tx device's balls; however, de-convolution is recommended. At least 10^6 UI of data must be acquired.
4. Transmitter jitter is measured by driving the Tx under test with a low jitter "ideal" clock and connecting the device under test (DUT) to a reference load.
5. The Tx PLL bandwidth must lie between the minimum and maximum ranges listed in [Table 17-7](#). PLL peaking must lie below the values listed in [Table 17-7](#).
The PLL bandwidth extends from zero (0) up to the value(s) specified in [Table 17-7](#).
6. Measurement is made over at least 10^6 UI.
7. A single combination of PLL bandwidth and peaking is specified for 2.5 GT/s implementations. For 5.0 GT/s, two 20 combinations of PLL bandwidth and peaking are specified to permit designers to make a tradeoff between the two parameters. If the PLL's minimum bandwidth is ≥ 8 MHz, then up to 3.0 dB of peaking is permitted. If the PLL's minimum bandwidth is relaxed to ≥ 5.0 MHz, then a tighter peaking value of 1.0 dB must be met. In both cases, the maximum PLL bandwidth is 16 MHz.

Table 17-8. 2.5 and 5.0 GT/s PCI Express Receiver (Signal Group b) – AC and DC Characteristics

| Symbol | Parameter | 2.5 GT/s | 5.0 GT/s | Units | Comments |
|-----------------------------------|--|------------------------------|------------------------------|-------|---|
| UI | Unit Interval | 399.88 (min) 400.12 (max) | 199.94 (min) 200.06 (max) | ps | UI does not account for variations caused by SSC. |
| $V_{RX-DIFF-PP-CC}$ | Differential Rx Peak-to-Peak Voltage for Common REFCLK Rx Architecture | 0.175 (min) 1.2 (max) | 0.120 (min) 1.2 (max) | V | $V_{RX-DIFF-PP} = 2 \times V_{RX-D+} - V_{RX-D-} $ |
| T_{RX-EYE} | Receiver Eye Time Opening | 0.40 (min) | N/A | UI | Minimum eye time at Rx pins to yield a 10^{-12} Bit Error Rate. Receiver eye margins are defined into a $2 \times 50\Omega$ reference load. |
| $T_{RX-TJ-CC}$ | Maximum Rx Inherent Timing Error | N/A | 0.40 (max) | UI | Maximum Rx inherent total timing error for common REFCLK Rx architecture. Refer to Note 1. |
| $T_{RX-DJ-DD-CC}$ | Maximum Rx Inherent Deterministic Timing Error | N/A | 0.30 (max) | UI | Maximum Rx inherent deterministic timing error for common REFCLK Rx architecture. Refer to Note 1. |
| $T_{RX-EYE-MEDIAN-to-MAX-JITTER}$ | Maximum Time Delta between the Median and Deviation from the Median | 0.3 (max) | Not specified | UI | |
| $T_{RX-MIN-PULSE}$ | Minimum Width Pulse at Rx | Not specified | 0.6 (min) | UI | Measured to account for worst Tj at 10^{-12} Bit Error Rate. |
| $V_{RX-MAX-MIN-RATIO}$ | Minimum/Maximum Pulse Voltage on Consecutive UI | Not specified | 5 (max) | Ratio | Rx eye must simultaneously meet V_{RX-EYE} limits. |
| $BW_{RX-PLL-HI}$ | Maximum Rx PLL Bandwidth | 22 (max) | 16 (max) | MHz | Second Order PLL Jitter Transfer Bounding function. Refer to Note 2. |
| $BW_{RX-PLL-LO-3DB}$ | Minimum Rx PLL Bandwidth for 3-dB Peaking | 1.5 min | 8 (min) | MHz | |
| $BW_{RX-PLL-LO-1DB}$ | Minimum Rx PLL Bandwidth for 1-dB Peaking | Not specified | 5 (min) | MHz | |
| $PKG_{RX-PLL1}$ | Rx PLL Peaking with 8-MHz Minimum Bandwidth | Not specified | 3.0 | dB | |
| $PKG_{RX-PLL2}$ | Rx PLL Peaking with 5-MHz Minimum Bandwidth | Not specified | 1.0 | dB | |

Table 17-8. 2.5 and 5.0 GT/s PCI Express Receiver (Signal Group b) – AC and DC Characteristics (Cont.)

| Symbol | Parameter | 2.5 GT/s | 5.0 GT/s | Units | Comments |
|----------------------------------|--|-----------------------|--|----------|--|
| $RL_{RX-DIFF}$ | Rx Differential Return Loss (Package + Silicon) | 10 (min) | 10 (min) for 0.05 to 1.25 GHz 8 (min) for 1.25 to 2.5 GHz | dB | Refer to Note 3. |
| RL_{RX-CM} | Common Mode Return Loss | 6 (min) | 6 (min) | dB | Refer to Note 3. |
| Z_{RX-DC} | Rx DC Single-Ended Impedance | 40 (min) 60 (max) | 40 (min) 60 (max) | Ω | Required Rx D+ and D- DC impedance ($50\Omega \pm 20\%$ tolerance). Refer to Note 4. |
| $Z_{RX-DIFF-DC}$ | DC Differential Rx Impedance | 80 (min) 120 (max) | Not specified | Ω | Rx DC Differential mode impedance. Parameter is captured for 5.0 GHz by $RL_{RX-DIFF}$. Refer to Note 4. |
| $V_{RX-CM-AC-P}$ | Rx AC Common Mode Voltage | 150 (max) | 150 (max) | mVP | Measured at Rx pins, into a pair of 50Ω terminations into Ground. Refer to Note 5. |
| $Z_{RX-HIGH-IMP-DC-POS}$ | DC Input Common Mode Input Impedance for Voltage >0 during Reset or Power-Down | 50K (min) | 50K (min) | Ω | Rx DC common mode impedance with the Rx terminations not powered, measured over the range 0 to 200 mV (with respect to Ground). Refer to Note 6. |
| $Z_{RX-HIGH-IMP-DC-NEG}$ | DC Input Common Mode Input Impedance for Voltage <0 during Reset or Power-Down | 1.0K (min) | 1.0K (min) | Ω | Rx DC common mode impedance with the Rx terminations not powered, measured over the range -150 to 0 mV (with respect to Ground). Refer to Note 6. |
| $V_{RX-IDLE-DET-DIFFP-P}$ | Electrical Idle Detect Threshold | 65 (min) 175 (max) | 65 (min) 175 (max) | mV | $V_{RX-IDLE-DET-DIFFP-P} = 2 \times V_{RX-D+} - V_{RX-D-} $ Measured at the Receiver's package pins. |
| $T_{RX-IDLE-DET-DIFF-ENTERTIME}$ | Unexpected Electrical Idle Enter Idle Detect Threshold Integration Time | 10 (max) | 10 (max) | ms | An un-expected Electrical Idle ($V_{RX-DIFFP-P} < V_{RX-IDLE-DET-DIFFP-P}$) must be recognized no longer than $T_{RX-IDLE-DET-DIFF-ENTERTIME}$ to signal an unexpected idle condition. |
| $L_{RX-SKEW}$ | Total Lane-to-Lane Skew | 20 (max) | 8 (max) | ns | Across all Lanes on a Port. Includes variation in the length of a SKIP Ordered-Set at the Rx, as well as any delay differences arising from the interconnect itself. Refer to Note 7. |

Notes:

1. *The four inherent timing error parameters are defined for the convenience of Rx designers, and they are measured during Receiver tolerancing.*
2. *Two combinations of PLL bandwidth and peaking are specified at 5.0 GT/s, to permit designers to make trade-offs between the two parameters. If the PLL's minimum bandwidth is ≥ 8 MHz, then up to 3.0 dB of peaking is permitted. If the PLL's minimum bandwidth is relaxed to ≥ 5.0 MHz, then a tighter peaking value of 1.0 dB must be met.*

A PLL bandwidth extends from zero up to the value(s) defined as the minimum or maximum in Table 17-8. For 2.5 GT/s, a single PLL bandwidth and peaking value of 1.5 to 22 MHz and 3.0 dB are defined.

3. *Measurements must be made for both common mode and differential return loss. In both cases, the DUT must be powered up and DC-isolated, and its D+/D- inputs must be in the low-Z state.*
4. *The Rx DC Single-Ended Impedance must be present when the Receiver terminations are first enabled, to ensure that the Receiver Detect occurs properly. Compensation of this impedance can start immediately, and the Rx Single-Ended Impedance (constrained by RL_{RX-CM} to $50\Omega \pm 20\%$) must be within the specified range by the time Detect is entered.*
5. *Common mode peak voltage is defined by the expression:*

$$\max\{|(V_{d+} - V_{d-}) - V_{CMDC}|\}$$

6. *$Z_{RX-HIGH-IMP-DC-NEG}$ and $Z_{RX-HIGH-IMP-DC-POS}$ are defined, respectively, for negative and positive voltages at the input of the Receiver. Transmitter designers must comprehend the large difference between >0 and <0 Rx impedances when designing Receiver detect circuits.*
7. *The $L_{RX-SKEW}$ parameter exists to handle repeaters that re-generate REFCLK and introduce differing numbers of skips on different Lanes.*

Table 17-9. PCI Express Differential Clock (Signal Group c) – AC and DC Characteristics

| Symbol | Parameter | Min | Typ | Max | Unit | Notes |
|----------------------|--|------|-----|-------|----------|-------|
| F_{REFCLK} | Reference Clock Frequency | | 100 | | MHz | 1 |
| $T_{REFCLK-HF-RMS}$ | High frequency jitter -> 1.5 MHz to Nyquist RMS jitter after applying filter functions, per the <i>PCI Express Base r2.0</i> | | | 3.1 | ps RMS | |
| $T_{REFCLK-LF-RMS}$ | Low frequency jitter – 10 kHz to 1.5 MHz jitter after applying filter functions, per the <i>PCI Express Base r2.0</i> | | | 3.0 | ps RMS | |
| $T_{REFCLK-SSC-RES}$ | SSC residual after applying filter functions, per the <i>PCI Express Base r2.0</i> | | | 75 | ps | |
| V_{SW} | Differential Voltage Swing (0-to-peak) | 125 | 200 | 800 | mV | |
| | Differential Voltage Swing (peak-to-peak) | 250 | 400 | 1,600 | mV | |
| T_R/T_F | Clock Input Rise/Fall Time | 0.6 | | 4.0 | V/ns | 2 |
| DC_{REFCLK} | Input Clock Duty Cycle | 45 | 50 | 55 | % | |
| R_{TERM} | Input Parallel Termination (Single-ended) | | 50 | | Ω | |
| | Input Parallel Termination (Differential) | | 100 | | Ω | |
| PPM | Reference Clock Tolerance | -300 | | +300 | ppm | |

Notes:

1. *PEX_REFCLKn/p* must be AC-coupled. Use a 0.01 to 0.1 μ F capacitor.
2. Specified at 20 to 80% points at the package balls. Measured differentially in the region of +150 mV and -150 mV.

17.7 Transmit Drive Characteristics

The Drive Current and Transmit Equalization functions are programmable, to allow for optimization of different backplane lengths and materials.

The Transmit Drive Level is programmable (5-bit, per SerDes/Lane), to provide differential swing within the range listed in Table 17-10. The **SerDes Drive Level x** registers (Port 0, 4, or 8, and also NT Port Virtual Interface if Port 0 is the NT Port, offsets B84h through B90h) provide access to all 24 Lanes for Drive Level programmability.

The Transmitter also incorporates programmable (5-bit, per SerDes/Lane) de-emphasis, to provide equalization to compensate for FR4 channel effects within the range listed in Table 17-10. The **Post-Cursor Emphasis Level x** registers (Port 0, 4, or 8, and also NT Port Virtual Interface if Port 0 is the NT Port, offsets B94h through BA0h) provide access to all 24 Lanes for de-emphasis programmability.

The Transmit_Drive_Level[4:0] and Post-Cursor_Emphasis_Level[4:0] bits are used together, to program the differential swing, as well as the dB loss for optimum Tx drive across the intended backplane.

Table 17-10 lists all possible combinations of Tx DRV_LVL[4:0] and POST_CURSOR[4:0], to achieve minimum 800 mV transition amplitude and the resulting de-emphasis (in decibels, dB). Of these, only certain combinations yield the specified 3 to 4 dB or 5.5 to 6.5 dB de-emphasis, per the *PCI Express Base r2.0* (highlighted in bold). All combinations are listed, however, to provide maximum flexibility for fine-tuning the Tx drive characteristics to a specific backplane.

Table 17-10. Tx Programmable Drive and De-Emphasis Levels

| POST_CURSOR [4:0] | DRV_LVL [4:0] | Transition Amplitude (mV) | Non-Transition Amplitude (mV) | De-Emphasis (dB) | Notes |
|-------------------|---------------|---------------------------|-------------------------------|------------------|-------|
| 01h | 11h | 820 | 789 | 0.34 | |
| | 12h | 849 | 818 | 0.33 | |
| | 13h | 876 | 845 | 0.31 | |
| 02h | 10h | 799 | 742 | 0.65 | |
| | 11h | 830 | 773 | 0.61 | |
| | 12h | 858 | 802 | 0.58 | |
| 03h | 13h | 884 | 829 | 0.56 | |
| | 10h | 809 | 727 | 0.93 | |
| | 11h | 839 | 758 | 0.88 | |
| 04h | 12h | 867 | 787 | 0.84 | |
| | 13h | 893 | 814 | 0.80 | |
| | 10h | 818 | 712 | 1.22 | |
| | 11h | 848 | 743 | 1.15 | |
| 04h | 12h | 876 | 772 | 1.09 | |
| | 13h | 901 | 799 | 1.04 | |

Table 17-10. Tx Programmable Drive and De-Emphasis Levels (Cont.)

| POST_CURSOR [4:0] | DRV_LVL [4:0] | Transition Amplitude (mV) | Non-Transition Amplitude (mV) | De-Emphasis (dB) | Notes |
|----------------------|------------------|---------------------------------|-------------------------------------|---------------------|-------|
| 05h | 0Fh | 797 | 664 | 1.59 | |
| | 10h | 828 | 697 | 1.50 | |
| | 11h | 857 | 728 | 1.41 | |
| | 12h | 884 | 758 | 1.34 | |
| | 13h | 909 | 785 | 1.27 | |
| | 1Fh | 796 | 663 | 1.59 | |
| 06h | 0Fh | 806 | 649 | 1.88 | |
| | 10h | 837 | 682 | 1.77 | |
| | 11h | 866 | 714 | 1.68 | |
| | 12h | 892 | 743 | 1.59 | |
| | 13h | 916 | 770 | 1.51 | |
| | 1Fh | 806 | 649 | 1.88 | |
| 07h | 0Fh | 816 | 635 | 2.18 | |
| | 10h | 846 | 668 | 2.05 | |
| | 11h | 874 | 700 | 1.94 | |
| | 12h | 900 | 729 | 1.83 | |
| | 13h | 924 | 756 | 1.74 | |
| | 1Fh | 816 | 635 | 2.18 | |
| 08h | 0Fh | 825 | 620 | 2.48 | |
| | 10h | 855 | 654 | 2.33 | |
| | 11h | 883 | 685 | 2.20 | |
| | 12h | 908 | 715 | 2.08 | |
| | 13h | 931 | 742 | 1.98 | |
| | 1Fh | 825 | 620 | 2.47 | |
| 09h | 0Eh | 802 | 571 | 2.95 | |
| | 0Fh | 834 | 607 | 2.77 | |
| | 10h | 863 | 640 | 2.60 | |
| | 11h | 891 | 671 | 2.46 | |
| | 12h | 916 | 701 | 2.33 | |
| | 13h | 938 | 728 | 2.21 | |
| | 1Eh | 802 | 571 | 2.96 | |
| | 1Fh | 834 | 606 | 2.77 | |

Table 17-10. Tx Programmable Drive and De-Emphasis Levels (Cont.)

| POST_CURSOR [4:0] | DRV_LVL [4:0] | Transition Amplitude (mV) | Non-Transition Amplitude (mV) | De-Emphasis (dB) | Notes |
|----------------------|------------------|---------------------------------|-------------------------------------|---------------------|---------------------------------|
| 0Ah | 0Eh | 811 | 557 | 3.27 | |
| | 0Fh | 843 | 593 | 3.06 | |
| | 10h | 872 | 626 | 2.88 | |
| | 11h | 899 | 658 | 2.71 | |
| | 12h | 923 | 687 | 2.57 | |
| | 13h | 945 | 714 | 2.43 | |
| | 1Eh | 811 | 557 | 3.27 | |
| | 1Fh | 843 | 593 | 3.06 | |
| 0Bh | 0Eh | 821 | 543 | 3.58 | |
| | 0Fh | 851 | 579 | 3.35 | |
| | 10h | 880 | 612 | 3.15 | |
| | 11h | 906 | 644 | 2.97 | |
| | 12h | 930 | 673 | 2.81 | |
| | 13h | 951 | 700 | 2.66 | |
| | 1Eh | 820 | 543 | 3.58 | |
| | 1Fh | 851 | 579 | 3.35 | |
| 0Ch | 0Dh | 797 | 492 | 4.19 | |
| | 0Eh | 829 | 530 | 3.89 | |
| | 0Fh | 860 | 566 | 3.64 | |
| | 10h | 888 | 599 | 3.42 | |
| | 11h | 914 | 630 | 3.22 | |
| | 12h | 937 | 660 | 3.05 | |
| | 13h | 958 | 687 | 2.89 | |
| | 1Dh | 797 | 492 | 4.19 | |
| | 1Eh | 829 | 530 | 3.89 | |
| 1Fh | 860 | 565 | 3.64 | | |
| 0Dh | 0Dh | 806 | 479 | 4.52 | |
| | 0Eh | 838 | 517 | 4.20 | |
| | 0Fh | 868 | 552 | 3.93 | -3.5 dB default for PEX 8624 |
| | 10h | 896 | 586 | 3.69 | |
| | 11h | 921 | 617 | 3.48 | |
| | 12h | 944 | 646 | 3.29 | |
| | 13h | 964 | 673 | 3.11 | |
| | 1Dh | 806 | 479 | 4.52 | |
| | 1Eh | 838 | 516 | 4.20 | |
| 1Fh | 868 | 552 | 3.93 | | |

Table 17-10. Tx Programmable Drive and De-Emphasis Levels (Cont.)

| POST_CURSOR [4:0] | DRV_LVL [4:0] | Transition Amplitude (mV) | Non-Transition Amplitude (mV) | De-Emphasis (dB) | Notes |
|----------------------|------------------|---------------------------------|-------------------------------------|---------------------|-------|
| 0Eh | 0Dh | 815 | 466 | 4.86 | |
| | 0Eh | 847 | 503 | 4.51 | |
| | 0Fh | 876 | 539 | 4.22 | |
| | 10h | 903 | 572 | 3.96 | |
| | 11h | 928 | 604 | 3.73 | |
| | 12h | 950 | 633 | 3.53 | |
| | 13h | 970 | 660 | 3.34 | |
| | 1Dh | 815 | 466 | 4.86 | |
| | 1Eh | 846 | 503 | 4.52 | |
| | 1Fh | 876 | 539 | 4.22 | |
| 0Fh | 0Dh | 824 | 453 | 5.20 | |
| | 0Eh | 855 | 490 | 4.83 | |
| | 0Fh | 884 | 526 | 4.51 | |
| | 10h | 911 | 559 | 4.23 | |
| | 11h | 935 | 591 | 3.98 | |
| | 12h | 957 | 620 | 3.76 | |
| | 13h | 975 | 647 | 3.56 | |
| | 1Dh | 823 | 453 | 5.20 | |
| | 1Eh | 855 | 490 | 4.83 | |
| | 1Fh | 884 | 526 | 4.51 | |
| 10h | 0Ch | 799 | 399 | 6.02 | |
| | 0Dh | 832 | 439 | 5.55 | |
| | 0Eh | 863 | 477 | 5.15 | |
| | 0Fh | 892 | 513 | 4.81 | |
| | 10h | 918 | 546 | 4.51 | |
| | 11h | 942 | 578 | 4.25 | |
| | 12h | 963 | 607 | 4.01 | |
| | 13h | 981 | 634 | 3.79 | |
| | 1Ch | 799 | 399 | 6.02 | |
| | 1Dh | 832 | 439 | 5.55 | |
| | 1Eh | 863 | 477 | 5.15 | |
| | 1Fh | 892 | 513 | 4.81 | |

Table 17-10. Tx Programmable Drive and De-Emphasis Levels (Cont.)

| POST_CURSOR [4:0] | DRV_LVL [4:0] | Transition Amplitude (mV) | Non-Transition Amplitude (mV) | De-Emphasis (dB) | Notes |
|----------------------|------------------|---------------------------------|-------------------------------------|---------------------|-------|
| 11h | 0Ch | 808 | 387 | 6.40 | |
| | 0Dh | 841 | 427 | 5.89 | |
| | 0Eh | 871 | 464 | 5.46 | |
| | 0Fh | 899 | 500 | 5.10 | |
| | 10h | 925 | 533 | 4.78 | |
| | 11h | 948 | 565 | 4.50 | |
| | 12h | 969 | 594 | 4.24 | |
| | 13h | 986 | 621 | 4.02 | |
| | 1Ch | 808 | 387 | 6.40 | |
| | 1Dh | 840 | 427 | 5.89 | |
| | 1Eh | 871 | 464 | 5.46 | |
| | 1Fh | 899 | 500 | 5.10 | |
| 12h | 0Ch | 816 | 374 | 6.77 | |
| | 0Dh | 849 | 414 | 6.23 | |
| | 0Eh | 879 | 452 | 5.78 | |
| | 0Fh | 906 | 487 | 5.39 | |
| | 10h | 932 | 521 | 5.05 | |
| | 11h | 954 | 552 | 4.75 | |
| | 12h | 974 | 582 | 4.48 | |
| | 13h | 991 | 609 | 4.24 | |
| | 1Ch | 816 | 374 | 6.78 | |
| | 1Dh | 849 | 414 | 6.23 | |
| | 1Eh | 879 | 452 | 5.78 | |
| | 1Fh | 906 | 487 | 5.39 | |
| 13h | 0Ch | 825 | 362 | 7.16 | |
| | 0Dh | 857 | 402 | 6.58 | |
| | 0Eh | 886 | 439 | 6.09 | |
| | 0Fh | 913 | 475 | 5.68 | |
| | 10h | 938 | 509 | 5.32 | |
| | 11h | 960 | 540 | 5.00 | |
| | 12h | 980 | 569 | 4.72 | |
| | 13h | 996 | 596 | 4.46 | |
| | 1Bh | 795 | 326 | 7.76 | |
| | 1Ch | 825 | 362 | 7.16 | |
| | 1Dh | 856 | 402 | 6.58 | |
| | 1Eh | 886 | 439 | 6.09 | |
| 1Fh | 913 | 475 | 5.68 | | |

Table 17-10. Tx Programmable Drive and De-Emphasis Levels (Cont.)

| POST_CURSOR [4:0] | DRV_LVL [4:0] | Transition Amplitude (mV) | Non-Transition Amplitude (mV) | De-Emphasis (dB) | Notes |
|----------------------|------------------|---------------------------------|-------------------------------------|---------------------|--------------------------------------|
| 14h | 0Bh | 799 | 308 | 8.29 | |
| | 0Ch | 833 | 350 | 7.54 | |
| | 0Dh | 864 | 389 | 6.93 | |
| | 0Eh | 893 | 427 | 6.41 | |
| | 0Fh | 920 | 463 | 5.97 | |
| | 10h | 944 | 496 | 5.59 | |
| | 11h | 966 | 528 | 5.25 | |
| | 12h | 985 | 557 | 4.95 | |
| | 13h | 1,001 | 584 | 4.68 | |
| | 1Bh | 804 | 313 | 8.19 | |
| | 1Ch | 833 | 349 | 7.54 | |
| | 1Dh | 864 | 389 | 6.93 | |
| | 1Eh | 893 | 427 | 6.41 | |
| | 1Fh | 920 | 463 | 5.97 | |
| 15h | 0Bh | 808 | 296 | 8.73 | |
| | 0Ch | 841 | 337 | 7.93 | |
| | 0Dh | 872 | 377 | 7.28 | -6 dB default for PEX 8624-AA |
| | 0Eh | 901 | 415 | 6.73 | -6 dB default for PEX 8624-AB, BB |
| | 0Fh | 927 | 451 | 6.26 | |
| | 10h | 950 | 484 | 5.86 | |
| | 11h | 972 | 516 | 5.50 | |
| | 12h | 990 | 545 | 5.19 | |
| | 13h | 1,006 | 572 | 4.90 | |
| | 1Bh | 812 | 301 | 8.62 | |
| | 1Ch | 841 | 337 | 7.93 | |
| | 1Dh | 872 | 377 | 7.28 | |
| | 1Eh | 900 | 415 | 6.73 | |
| | 1Fh | 927 | 451 | 6.62 | |

Table 17-10. Tx Programmable Drive and De-Emphasis Levels (Cont.)

| POST_CURSOR [4:0] | DRV_LVL [4:0] | Transition Amplitude (mV) | Non-Transition Amplitude (mV) | De-Emphasis (dB) | Notes |
|----------------------|------------------|---------------------------------|-------------------------------------|---------------------|-------|
| 16h | 0Bh | 816 | 284 | 9.18 | |
| | 0Ch | 849 | 326 | 8.32 | |
| | 0Dh | 879 | 365 | 7.63 | |
| | 0Eh | 907 | 403 | 7.05 | |
| | 0Fh | 933 | 439 | 6.56 | |
| | 10h | 956 | 472 | 6.13 | |
| | 11h | 977 | 504 | 5.76 | |
| | 12h | 995 | 533 | 5.42 | |
| | 13h | 1,010 | 560 | 5.12 | |
| | 1Bh | 820 | 289 | 9.05 | |
| | 1Ch | 849 | 325 | 8.33 | |
| | 1Dh | 879 | 365 | 7.63 | |
| | 1Eh | 907 | 403 | 7.05 | |
| | 1Fh | 933 | 439 | 6.56 | |
| 17h | 0Bh | 824 | 272 | 9.63 | |
| | 0Ch | 856 | 314 | 8.72 | |
| | 0Dh | 886 | 354 | 7.98 | |
| | 0Eh | 914 | 391 | 7.37 | |
| | 0Fh | 939 | 427 | 6.85 | |
| | 10h | 962 | 460 | 6.40 | |
| | 11h | 982 | 492 | 6.01 | |
| | 12h | 999 | 521 | 5.65 | |
| | 13h | 1,014 | 548 | 5.34 | |
| | 1Bh | 828 | 277 | 9.50 | |
| | 1Ch | 856 | 314 | 8.72 | |
| | 1Dh | 886 | 353 | 7.99 | |
| | 1Eh | 914 | 391 | 7.37 | |
| | 1Fh | 939 | 427 | 6.85 | |

Table 17-10. Tx Programmable Drive and De-Emphasis Levels (Cont.)

| POST_CURSOR [4:0] | DRV_LVL [4:0] | Transition Amplitude (mV) | Non-Transition Amplitude (mV) | De-Emphasis (dB) | Notes |
|----------------------|------------------|---------------------------------|-------------------------------------|---------------------|-------|
| 18h | 0Ah | 798 | 216 | 11.35 | |
| | 0Bh | 832 | 260 | 10.10 | |
| | 0Ch | 864 | 302 | 9.13 | |
| | 0Dh | 893 | 342 | 8.35 | |
| | 0Eh | 921 | 380 | 7.70 | |
| | 0Fh | 945 | 415 | 7.15 | |
| | 10h | 968 | 449 | 6.68 | |
| | 11h | 987 | 480 | 6.26 | |
| | 12h | 1,004 | 509 | 5.89 | |
| | 13h | 1,018 | 537 | 5.56 | |
| | 1Ah | 802 | 222 | 11.16 | |
| | 1Bh | 836 | 266 | 9.96 | |
| | 1Ch | 864 | 302 | 9.13 | |
| | 1Dh | 893 | 342 | 8.35 | |
| | 1Eh | 921 | 379 | 7.70 | |
| | 1Fh | 945 | 415 | 7.15 | |
| 19h | 0Ah | 806 | 204 | 11.91 | |
| | 0Bh | 840 | 249 | 10.57 | |
| | 0Ch | 871 | 290 | 9.54 | |
| | 0Dh | 900 | 330 | 8.71 | |
| | 0Eh | 927 | 368 | 8.02 | |
| | 0Fh | 951 | 404 | 7.45 | |
| | 10h | 973 | 437 | 6.95 | |
| | 11h | 992 | 469 | 6.51 | |
| | 12h | 1,008 | 498 | 6.12 | |
| | 13h | 1,021 | 525 | 5.78 | |
| | 1Ah | 810 | 210 | 11.71 | |
| | 1Bh | 844 | 254 | 10.42 | |
| | 1Ch | 871 | 290 | 9.54 | |
| | 1Dh | 900 | 330 | 8.71 | |
| | 1Eh | 927 | 368 | 8.03 | |
| | 1Fh | 951 | 404 | 7.45 | |

Table 17-10. Tx Programmable Drive and De-Emphasis Levels (Cont.)

| POST_CURSOR [4:0] | DRV_LVL [4:0] | Transition Amplitude (mV) | Non-Transition Amplitude (mV) | De-Emphasis (dB) | Notes |
|----------------------|------------------|---------------------------------|-------------------------------------|---------------------|-------|
| 1Ah | 0Ah | 814 | 193 | 12.49 | |
| | 0Bh | 847 | 237 | 11.05 | |
| | 0Ch | 878 | 279 | 9.95 | |
| | 0Dh | 907 | 319 | 9.08 | |
| | 0Eh | 933 | 357 | 8.35 | |
| | 0Fh | 957 | 392 | 7.74 | |
| | 10h | 978 | 426 | 7.22 | |
| | 11h | 996 | 457 | 6.76 | |
| | 12h | 1,012 | 487 | 6.36 | |
| | 13h | 1,025 | 514 | 6.00 | |
| | 1Ah | 818 | 199 | 12.28 | |
| | 1Bh | 851 | 243 | 10.89 | |
| | 1Ch | 878 | 279 | 9.96 | |
| | 1Dh | 907 | 319 | 9.08 | |
| | 1Eh | 933 | 357 | 8.35 | |
| | 1Fh | 957 | 392 | 7.74 | |
| 1Bh | 0Ah | 821 | 182 | 13.09 | |
| | 0Bh | 854 | 226 | 11.55 | |
| | 0Ch | 885 | 268 | 10.38 | |
| | 0Dh | 913 | 308 | 9.45 | |
| | 0Eh | 939 | 346 | 8.68 | |
| | 0Fh | 962 | 381 | 8.04 | |
| | 10h | 983 | 415 | 7.50 | |
| | 11h | 1,000 | 446 | 7.01 | |
| | 12h | 1,016 | 475 | 6.59 | |
| | 13h | 1,028 | 503 | 6.22 | |
| | 1Ah | 826 | 188 | 12.86 | |
| | 1Bh | 858 | 232 | 11.38 | |
| | 1Ch | 885 | 268 | 10.38 | |
| | 1Dh | 913 | 308 | 9.45 | |
| | 1Eh | 939 | 345 | 8.69 | |
| | 1Fh | 962 | 381 | 8.04 | |

Table 17-10. Tx Programmable Drive and De-Emphasis Levels (Cont.)

| POST_CURSOR [4:0] | DRV_LVL [4:0] | Transition Amplitude (mV) | Non-Transition Amplitude (mV) | De-Emphasis (dB) | Notes |
|----------------------|------------------|---------------------------------|-------------------------------------|---------------------|-------|
| 1Ch | 0Ah | 829 | 171 | 13.71 | |
| | 0Bh | 861 | 215 | 12.06 | |
| | 0Ch | 892 | 257 | 10.81 | |
| | 0Dh | 919 | 297 | 9.82 | |
| | 0Eh | 945 | 334 | 9.02 | |
| | 0Fh | 967 | 370 | 8.35 | |
| | 10h | 987 | 404 | 7.77 | |
| | 11h | 1,004 | 435 | 7.27 | |
| | 12h | 1,019 | 464 | 6.83 | |
| | 13h | 1,031 | 491 | 6.44 | |
| | 19h | 799 | 131 | 15.71 | |
| | 1Ah | 833 | 177 | 13.46 | |
| | 1Bh | 865 | 221 | 11.87 | |
| | 1Ch | 891 | 257 | 10.81 | |
| | 1Dh | 919 | 297 | 9.83 | |
| | 1Eh | 944 | 334 | 9.02 | |
| | 1Fh | 967 | 370 | 8.35 | |
| 1Dh | 09h | 802 | 114 | 16.95 | |
| | 0Ah | 836 | 160 | 14.36 | |
| | 0Bh | 868 | 204 | 12.58 | |
| | 0Ch | 898 | 246 | 11.25 | |
| | 0Dh | 925 | 286 | 10.20 | |
| | 0Eh | 950 | 324 | 9.36 | |
| | 0Fh | 972 | 359 | 8.65 | |
| | 10h | 992 | 393 | 8.05 | |
| | 11h | 1,008 | 424 | 7.52 | |
| | 12h | 1,022 | 454 | 7.06 | |
| | 13h | 1,034 | 481 | 6.65 | |
| | 19h | 806 | 120 | 16.55 | |
| | 1Ah | 841 | 166 | 14.09 | |
| | 1Bh | 872 | 210 | 12.38 | |
| | 1Ch | 898 | 246 | 11.25 | |
| | 1Dh | 925 | 286 | 10.21 | |
| | 1Eh | 950 | 323 | 9.36 | |
| 1Fh | 972 | 359 | 8.65 | | |

Table 17-10. Tx Programmable Drive and De-Emphasis Levels (Cont.)

| POST_CURSOR [4:0] | DRV_LVL [4:0] | Transition Amplitude (mV) | Non-Transition Amplitude (mV) | De-Emphasis (dB) | Notes |
|----------------------|------------------|---------------------------------|-------------------------------------|---------------------|-------|
| 1Eh | 09h | 809 | 103 | 17.90 | |
| | 0Ah | 843 | 149 | 15.04 | |
| | 0Bh | 875 | 193 | 13.11 | |
| | 0Ch | 904 | 235 | 11.69 | |
| | 0Dh | 931 | 275 | 10.59 | |
| | 0Eh | 955 | 313 | 9.69 | |
| | 0Fh | 977 | 349 | 8.95 | |
| | 10h | 996 | 382 | 8.32 | |
| | 11h | 1,012 | 413 | 7.77 | |
| | 12h | 1,025 | 443 | 7.29 | |
| | 13h | 1,037 | 470 | 6.87 | |
| | 19h | 814 | 109 | 17.44 | |
| | 1Ah | 848 | 155 | 14.74 | |
| | 1Bh | 879 | 199 | 12.90 | |
| | 1Ch | 904 | 235 | 11.70 | |
| | 1Dh | 931 | 275 | 10.59 | |
| 1Eh | 955 | 313 | 9.70 | | |
| 1Fh | 977 | 348 | 8.95 | | |
| 1Fh | 09h | 817 | 93 | 18.91 | |
| | 0Ah | 850 | 139 | 15.75 | |
| | 0Bh | 881 | 183 | 13.66 | |
| | 0Ch | 910 | 225 | 12.15 | |
| | 0Dh | 936 | 265 | 10.98 | |
| | 0Eh | 960 | 302 | 10.04 | |
| | 0Fh | 981 | 338 | 9.26 | |
| | 10h | 999 | 371 | 8.60 | |
| | 11h | 1,015 | 403 | 8.03 | |
| | 12h | 1,028 | 432 | 7.53 | |
| | 13h | 1,039 | 459 | 7.09 | |
| | 19h | 821 | 99 | 18.40 | |
| | 1Ah | 854 | 145 | 15.43 | |
| | 1Bh | 885 | 188 | 13.44 | |
| | 1Ch | 910 | 225 | 12.15 | |
| | 1Dh | 936 | 264 | 10.98 | |
| 1Eh | 960 | 302 | 10.04 | | |
| 1Fh | 981 | 338 | 9.26 | | |

17.7.1 Default Transmit Settings

Table 17-11 lists the default values of the Transmit Drive and Post-Cursor De-Emphasis levels (**SerDes Drive Level x** and **Post-Cursor Emphasis Level x** registers (Port 0, 4, or 8, and also NT Port Virtual Interface if Port 0 is the NT Port, offsets B84h through B90h and B94h through BA0h, respectively)).

Table 17-11. Default Transmit Settings

| Silicon Revision | Mode (dB) | Link Speed (GT/s) | DRV_LVL [4:0] | POST_CURSOR [4:0] | Transition Amplitude (mV) | Non-Transition Amplitude (mV) | Equalization ^a (dB) |
|------------------|-----------|-------------------|---------------|-------------------|---------------------------|-------------------------------|--------------------------------|
| All | -3.5 | 2.5 | 0Fh | 0Dh | 868 | 552 | -3.93 |
| AA | -6 | 5.0 | 0Dh | 15h | 872 | 377 | -7.28 |
| AB, BB | -6 | 5.0 | 0Eh | 15h | 901 | 415 | -6.73 ^b |

a. *dB Equalization formula:*

$$20 \times \log[(\text{Non-Transition Amplitude}) / (\text{Transition Amplitude})]$$

b. *The -6 dB Setting is slightly larger than the maximum -6.5 dB specification, to better compensate for FR4 loss characteristics across a typical backplane application.*

17.8 Receive Characteristics

The Receiver circuit includes programmable equalization, to further compensate for the low-pass FR4 loss characteristics of the channel.

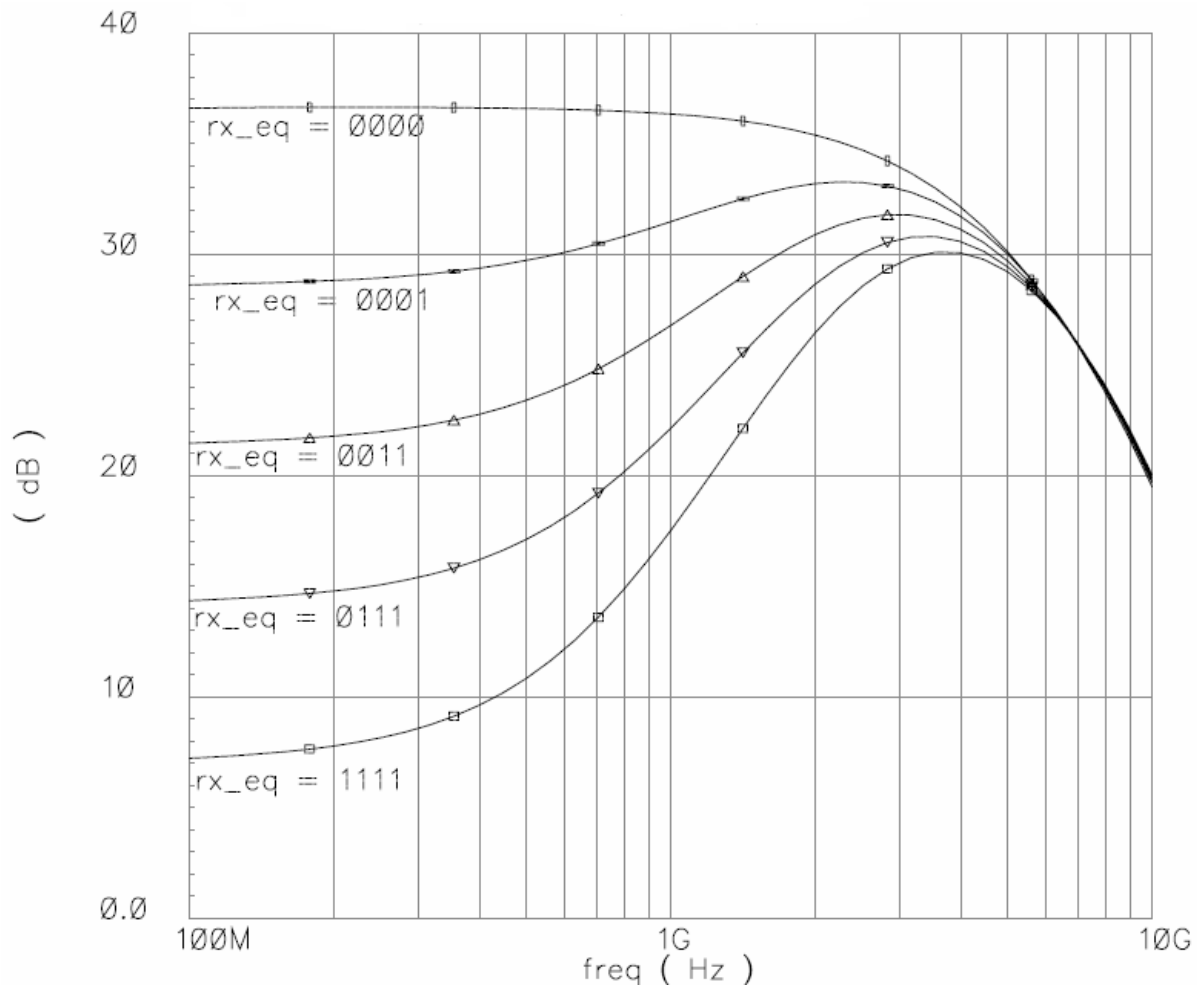
17.8.1 Receive Equalization

Table 17-12 lists the programmable bits used for controlling the Receiver circuit's electrical characteristics, to mitigate the effects of signal loss and distortion across the PCB channel. The **Receiver Equalization Level *x*** registers (Port 0, 4, or 8, and also NT Port Virtual Interface if Port 0 is the NT Port, offsets BA4h and BA8h) provide access to all 24 Lanes for Rx Equalization programmability. Figure 17-2 illustrates the Rx Equalization frequency characteristics.

Table 17-12. Receiver Equalization Settings

| Rx Equalization[3:0] | Equalization |
|----------------------|----------------|
| 0h (default) | Off |
| 1h | Minimum |
| 2h to 3h | Low |
| 4h to 6h | Low to Medium |
| 7h to 9h | Medium |
| Ah to Dh | High to Medium |
| Eh to Fh | Maximum |

Figure 17-2. Rx Equalization Frequency Characteristics



17.8.2 Receiver Electrical Idle

The Receiver circuit contains a signal detect circuit that is used to detect signal idling at the input. The threshold to detect the idle level is programmable, using the **Signal Detect Level** register (Port 0, 4, or 8, and also NT Port Virtual Interface if Port 0 is the NT Port, offset BACH). A value of 00b provides the lowest signal voltage level detection threshold.



Chapter 18 Thermal and Mechanical Specifications

18.1 Thermal Characteristics

The PEX 8624 does not include a heat sink. The information described in this section is based upon sample thermal performance when a heat sink is used with the PEX 8624, and is provided for reference only.

18.1.1 Sample Thermal Data

Table 18-1 lists the sample thermal data for the PEX 8624, with and without a heat sink, at various temperatures.

Table 18-1. Thermal Resistance Matrix (19 x 19 mm² FCBGA Package, with Heat Spreader)^{a b c g}

| Maximum Power (W) | Θ_{JC} (°C/W) | Heat Sink and Heat Sink Size (mm) | Ambient Temperature (°C) | Maximum Θ_{JA} (°C/W) | Air Flow (m/s) | Θ_{JA} 4-Layer Jedec Board (°C/W) | Θ_{JA} 8-Layer Board (°C/W) | 4-Layer Board Minimum Ambient Temperature (°C) | 8-Layer Board Minimum Ambient Temperature (°C) | |
|-------------------|----------------------|-----------------------------------|--------------------------|------------------------------|----------------|--|------------------------------------|--|--|--------|
| 5.40 | 0.43 | No | 70 | 7.41 | 0.00 | 13.49 | 8.66 | -19.97 | -12.82 | |
| | | | | | 1.00 | 9.98 | 7.46 | -14.77 | -11.04 | |
| | | | | | 2.00 | 8.63 | 7.02 | -12.77 | -10.39 | |
| | | | 75 | 6.48 | 0.00 | 13.49 | 8.66 | -19.97 | -12.82 | |
| | | | | | 1.00 | 9.98 | 7.46 | -14.77 | -11.04 | |
| | | | | | 2.00 | 8.63 | 7.02 | -12.77 | -10.39 | |
| | | | 80 | 5.56 | 0.00 | 13.49 | 8.66 | -19.97 | -12.82 | |
| | | | | | 1.00 | 9.98 | 7.46 | -14.77 | -11.04 | |
| | | | | | 2.00 | 8.63 | 7.02 | -12.77 | -10.39 | |
| | | | 85 | 4.63 | 0.00 | 13.49 | 8.66 | -19.97 | -12.82 | |
| | | | | | 1.00 | 9.98 | 7.46 | -14.77 | -11.04 | |
| | | | | | 2.00 | 8.63 | 7.02 | -12.77 | -10.39 | |
| | | Yes ^d | 21.6 x 21.6 x 13.21 | 70 | 7.41 | 0.00 | 11.05 | 9.65 | -16.35 | -14.28 |
| | | | | | | 1.00 | 5.92 | 5.20 | -8.76 | -7.70 |
| | | | | | | 2.00 | 4.72 | 4.20 | -6.99 | -6.22 |
| | | | | 75 | 6.48 | 0.00 | 11.05 | 9.65 | -16.35 | -14.28 |
| | | | | | | 1.00 | 5.92 | 5.20 | -8.76 | -7.70 |
| | | | | | | 2.00 | 4.72 | 4.20 | -6.99 | -6.22 |
| | | | | 80 | 5.56 | 0.00 | 11.05 | 9.65 | -16.35 | -14.28 |
| | | | | | | 1.00 | 5.92 | 5.20 | -8.76 | -7.70 |
| | | | | | | 2.00 | 4.72 | 4.20 | -6.99 | -6.22 |
| | | | | 85 | 4.63 | 0.00 | 11.05 | 9.65 | -15.25 | -13.32 |
| | | | | | | 1.00 | 5.92 | 5.20 | -8.17 | -7.18 |
| | | | | | | 2.00 | 4.72 | 4.20 | -6.51 | -5.80 |
| | | Yes ^e | 19 x 19 x 10 | 70 | 7.41 | 0.00 | 12.05 | 7.78 | -17.83 | -11.51 |
| | | | | | | 1.00 | 7.21 | 5.54 | -10.67 | -8.20 |
| | | | | | | 2.00 | 5.84 | 4.95 | -8.64 | -7.33 |
| | | | | 75 | 6.48 | 0.00 | 12.05 | 7.78 | -17.83 | -11.51 |
| | | | | | | 1.00 | 7.21 | 5.54 | -10.67 | -8.20 |
| | | | | | | 2.00 | 5.84 | 4.95 | -8.64 | -7.33 |
| | | | | 80 | 5.56 | 0.00 | 12.05 | 7.78 | -17.83 | -11.51 |
| | | | | | | 1.00 | 7.21 | 5.54 | -10.67 | -8.20 |
| | | | | | | 2.00 | 5.84 | 4.95 | -8.64 | -7.33 |
| | | | | 85 | 4.63 | 0.00 | 12.05 | 7.78 | -17.83 | -11.51 |
| | | | | | | 1.00 | 7.21 | 5.54 | -10.67 | -8.20 |
| | | | | | | 2.00 | 5.84 | 4.95 | -8.64 | -7.33 |
| | | Yes ^f | 19 x 19 x 15 | 70 | 7.41 | 0.00 | 10.78 | 7.48 | -15.95 | -11.07 |
| | | | | | | 1.00 | 6.21 | 5.01 | -9.19 | -7.41 |
| | | | | | | 2.00 | 5.18 | 4.34 | -7.67 | -6.42 |
| | | | | 75 | 6.48 | 0.00 | 10.78 | 7.48 | -15.95 | -11.07 |
| | | | | | | 1.00 | 6.21 | 5.01 | -9.19 | -7.41 |
| | | | | | | 2.00 | 5.18 | 4.34 | -7.67 | -6.42 |
| | | | | 80 | 5.56 | 0.00 | 10.78 | 7.48 | -15.95 | -11.07 |
| | | | | | | 1.00 | 6.21 | 5.01 | -9.19 | -7.41 |
| | | | | | | 2.00 | 5.18 | 4.34 | -7.67 | -6.42 |
| | | | | 85 | 4.63 | 0.00 | 10.78 | 7.48 | -15.95 | -11.07 |
| | | | | | | 1.00 | 6.21 | 5.01 | -9.19 | -7.41 |
| | | | | | | 2.00 | 5.18 | 4.34 | -7.67 | -6.42 |

Notes:

- a. *The highlighted cells indicate that the thermal solution meets the Minimal Thermal Solution Requirement for the given Ambient Temperature.*
- b. *Data provided in [Table 18-1](#) reflects values for Silicon Revision BB only.*
- c. *Maximum Junction Temperature (T_j) for Reliability is 125°C.*
- d. *21.6 x 21.6 x 13.21 mm³ heat sink (80600B00850) from Aavid Thermalloy, LLC. TIM of 0.13-mm thick and 1W/mK Thermal conductivity.*
- e. *19 x 19 x 10 mm³ heat sink S1519-10W from Alpha Novatech, Inc.*
- f. *19 x 19 x 15 mm³ heat sink S1519-15W from Alpha Novatech, Inc.*
- g. *The PEX 8624 has been qualified to support an Extended Operating Temperature range of -10 to 85°C. For high-temperature environments (70 to 85°C), a heat sink and/or air flow might be required. Refer to [Table 18-1](#) to select the appropriate thermal solution for your system. For low-temp environments (0 to -10°C), cold starts are **not supported**. Be sure to allow the PEX 8624 to self-heat (hold in reset) for 10 seconds, before starting standard switch operation.*

18.2 General Package Specifications

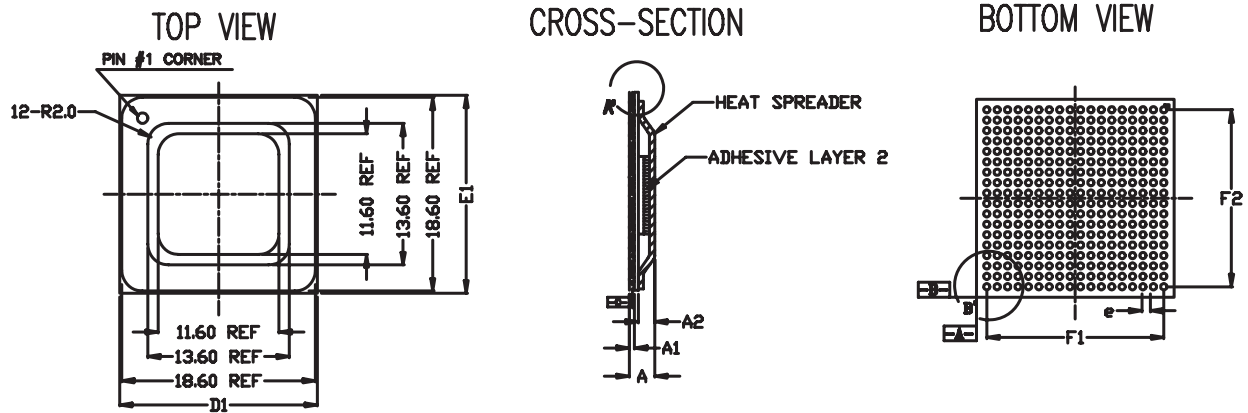
Table 18-2 lists general package specifications. For a more complete list, refer to Figure 18-1.

Table 18-2. General Package Specifications

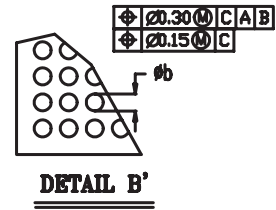
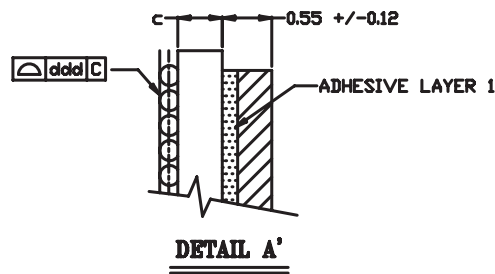
| Parameter | Specification |
|---------------------|---|
| Package Type | Flip-Chip Ball Grid Array (FCBGA) with Heat Spreader |
| Number of Balls | 324 |
| Package Dimensions | 19 x 19 mm ² (approximately 2.28 ±0.20-mm high) |
| Ball Matrix Pattern | 18 x 18 |
| Ball Pitch | 1.0 mm |
| Ball Diameter | 0.60 ±0.1 mm |
| Ball Spacing | 0.40 mm |

18.3 Mechanical Dimensions

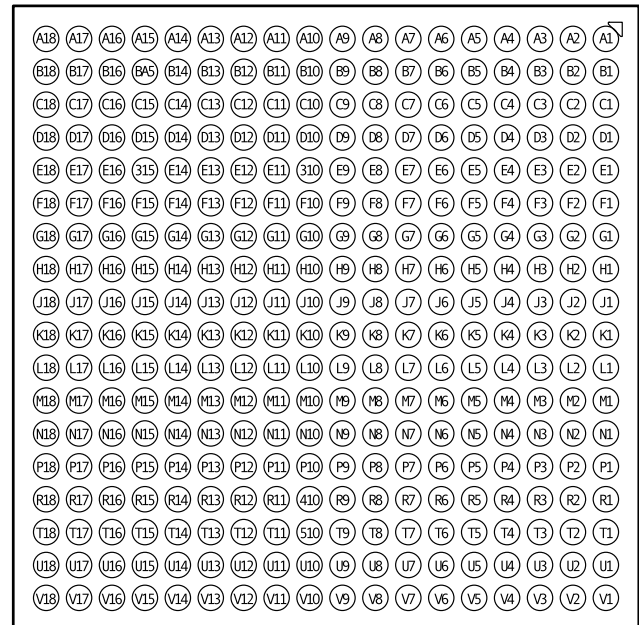
Figure 18-1. Package Mechanical Dimensions (19 x 19 mm² FCBGA Package with Heat Spreader)



| Symbol | UNITS IN MILLIMETER | | |
|--------|---------------------|-------|-------|
| | MIN | NOM | MAX |
| c | 0.48 | 0.58 | 0.68 |
| A | 2.08 | 2.28 | 2.48 |
| A1 | 0.40 | 0.50 | 0.60 |
| A2 | 1.08 | 1.20 | 1.32 |
| ∅b | 0.50 | 0.60 | 0.70 |
| D1 | 18.80 | 19.00 | 19.20 |
| E1 | 18.80 | 19.00 | 19.20 |
| F1 | — | 17.00 | — |
| F2 | — | 17.00 | — |
| e | — | 1.00 | — |
| ddd | — | — | 0.15 |



BALL NAMES (BOTTOM VIEW)



THIS PAGE INTENTIONALLY LEFT BLANK.



Appendix A General Information

A.1 Product Ordering Information

Contact your local [PLX Sales Representative](#) for ordering information.

Table A-1. Product Ordering Information

| Part Numbers | Description |
|-------------------|--|
| PEX8624-BB50RBC F | PEX 8624 24-Lane/6-Port PCI Express Gen 2 Switch FCBGA Lead-Free Package (19 x 19 mm ² , 324-ball) with Heat Spreader, Commercial Temperature |
| PEX8624-BB50BI F | PEX 8624 24-Lane/6-Port PCI Express Gen 2 Switch FCBGA Lead-Free Package (19 x 19 mm ² , 324-ball) with Heat Spreader, Industrial Temperature |
| <i>where</i> | PEX – PCI Express Product Family 8624 – Part Number BB – Silicon Revision 50 – Signaling Rate (5.0 GT/s) R – REXT fix for Enhanced Noise Immunity B – Flip-Chip Ball Grid Array C – Commercial Temperature I – Industrial Temperature F – Lead-free 2 nd Level Interconnect (2LI) Solder bump First Level Interconnect (FLI) contains lead per RoHS exemption for Flip-Chip |
| PEX 8624-BB RDK | PEX 8624 Rapid Development Kit with x8 Edge Connector |
| x1 Adapter | PCI Express x8 to x1 Adapter |
| x4 Adapter | PCI Express x8 to x4 Adapter |

A.2 United States and International Representatives and Distributors

PLX Technology, Inc., representatives and distributors are listed at www.plxtech.com.

A.3 Technical Support

PLX Technology, Inc., technical support information is listed at www.plxtech.com/support, or call 800 759-3735 (domestic only) or 408 774-9060.