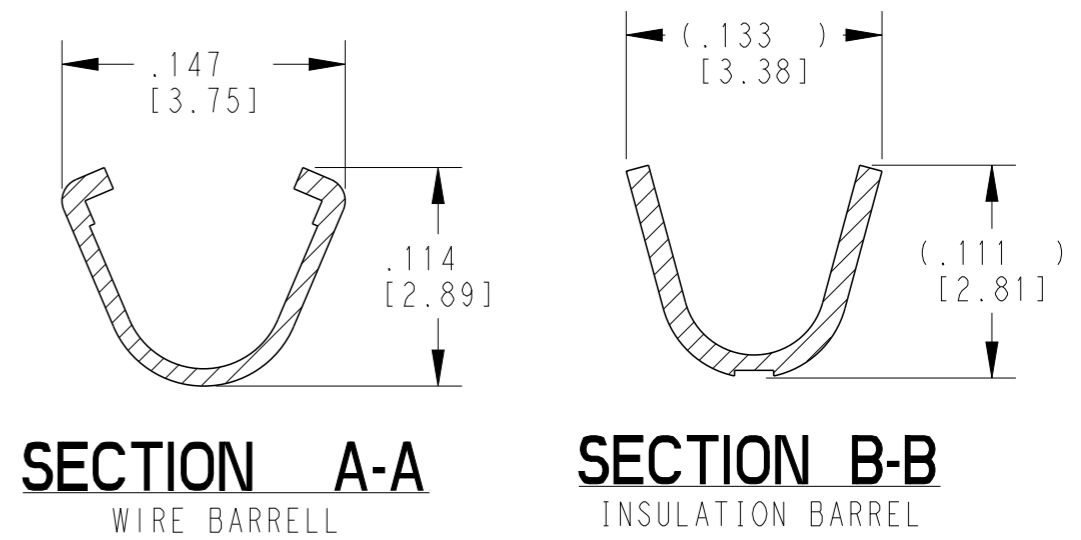
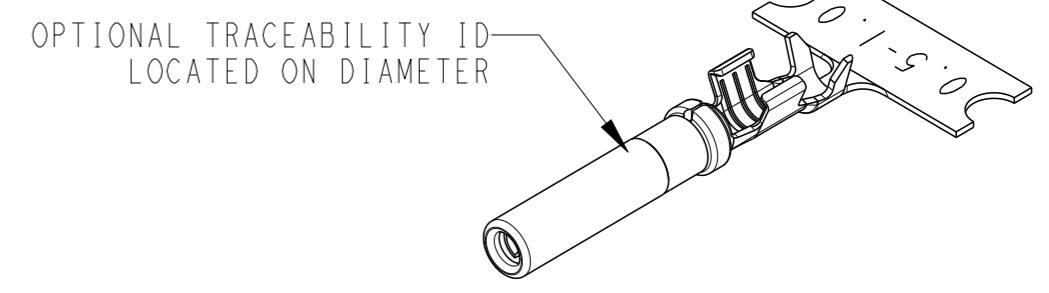
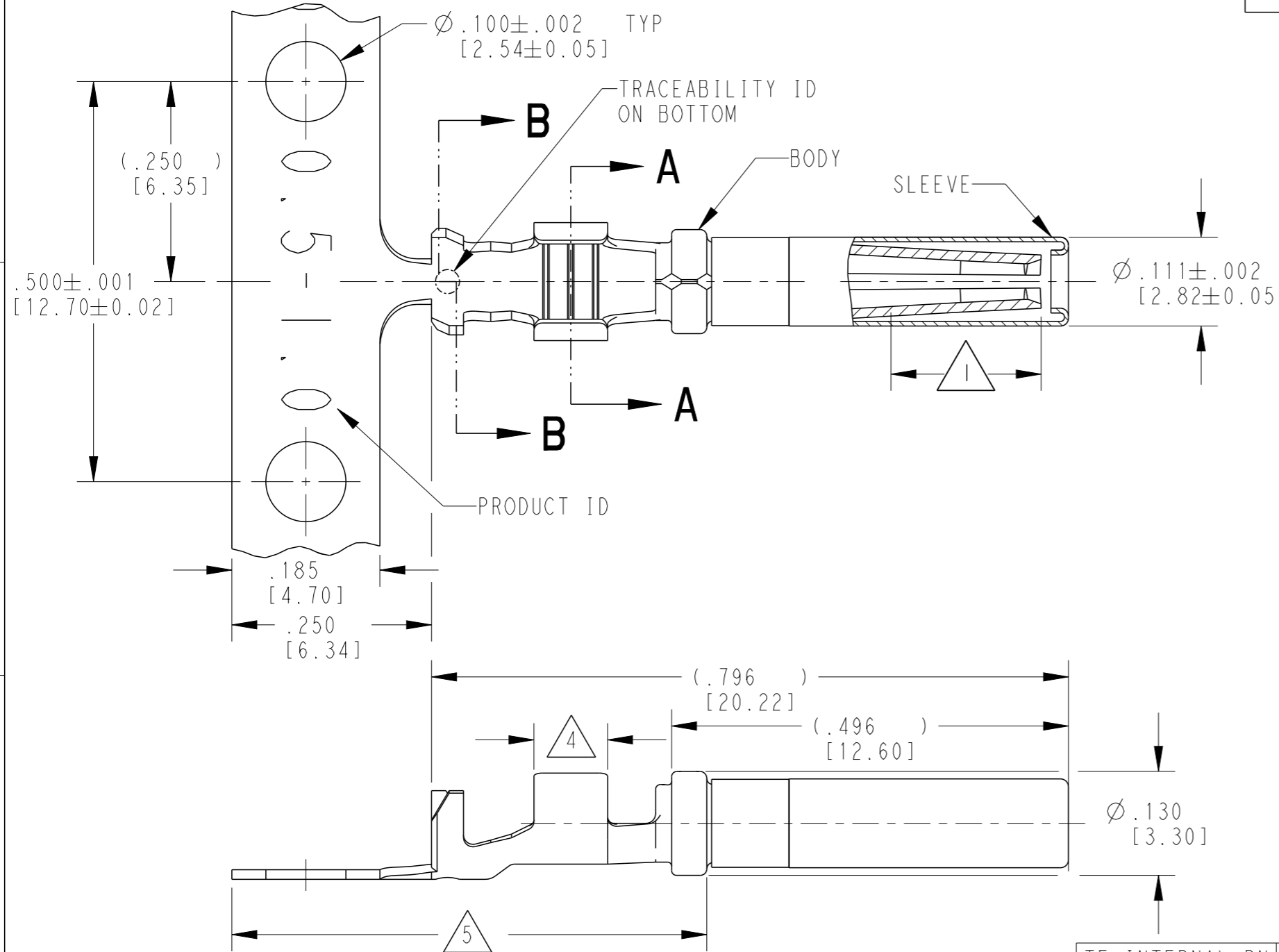


THIS DRAWING IS UNPUBLISHED  
 RELEASED FOR PUBLICATION 2020  
 © COPYRIGHT 2020 BY - TE CONNECTIVITY ALL RIGHTS RESERVED.

LOC	DIST	REVISIONS			
P	LTR	DESCRIPTION	DATE	DWN	APVD
	F1	REVISED PER PCN E-17-014802	06OCT2017	AJ	DM
	G	REVISED PER PCN E-20-008101	12JUN2020	DM	DM
	G1	REVISED PER PCN-22-157823	12OCT2022	SP	DM



- 5 TIN PLATING MAY BE IN THIS REGION.
- 4 TIN PLATED REGION.
- 3 MATERIAL:  
BODY: .012 [0.30] THICK COPPER ALLOY  
SLEEVE: STAINLESS STEEL
- 2. WIRE RANGE: 20 AWG TO 16 AWG [0.5-1.0 mm<sup>2</sup>]  
INSULATION RANGE:  $\varnothing$ .055-.100 [ $\varnothing$ 1.40-2.54]
- 1 44: GOLD PLATED REGION.  
88: PALLADIUM-NICKEL PLATED REGION.

NOTES: UNLESS OTHERWISE SPECIFIED

TE INTERNAL PN	DEUTSCH PN	PLATING
1062-16-0622	1062-16-0622	Ni/Cu overall, Sn/Ni/Cu Wire Barrel
1062-16-0644	1062-16-0644	Selective Au, Ni/Cu overall, Sn/Ni/Cu Wire Barrel
1062-16-0677	1062-16-0677	Sn/Ni/Cu overall
1062-16-0688	1062-16-0688	Selective Pd-Ni, Au/Ni/Cu overall

THIS DRAWING IS A CONTROLLED DOCUMENT.		DWN STEVE PALLUTH 28NOV2000	TE Connectivity	
DIMENSIONS: INCHES[mm]		CHK VLADIMIR TOMSA 06DEC2000		
TOLERANCES UNLESS OTHERWISE SPECIFIED:		APVD R. REED 08DEC2000	NAME SOCKET, STAMPED AND FORMED SIZE 16 16-20AWG	
0 PLC ± 1 PLC ± 2 PLC ± 3 PLC ±0.025 [0.64] 4 PLC ± ANGLES ±		PRODUCT SPEC 108-151000	RESTRICTED TO	
MATERIAL 3		APPLICATION SPEC 114-151000	SIZE A3	CAGE CODE 4AFU8
FINISH SEE TABLE		WEIGHT 0.42 g	DRAWING NO C=1062-16-06XX	REV G1
		Customer Drawing	SCALE 6:1	SHEET 1 OF 1