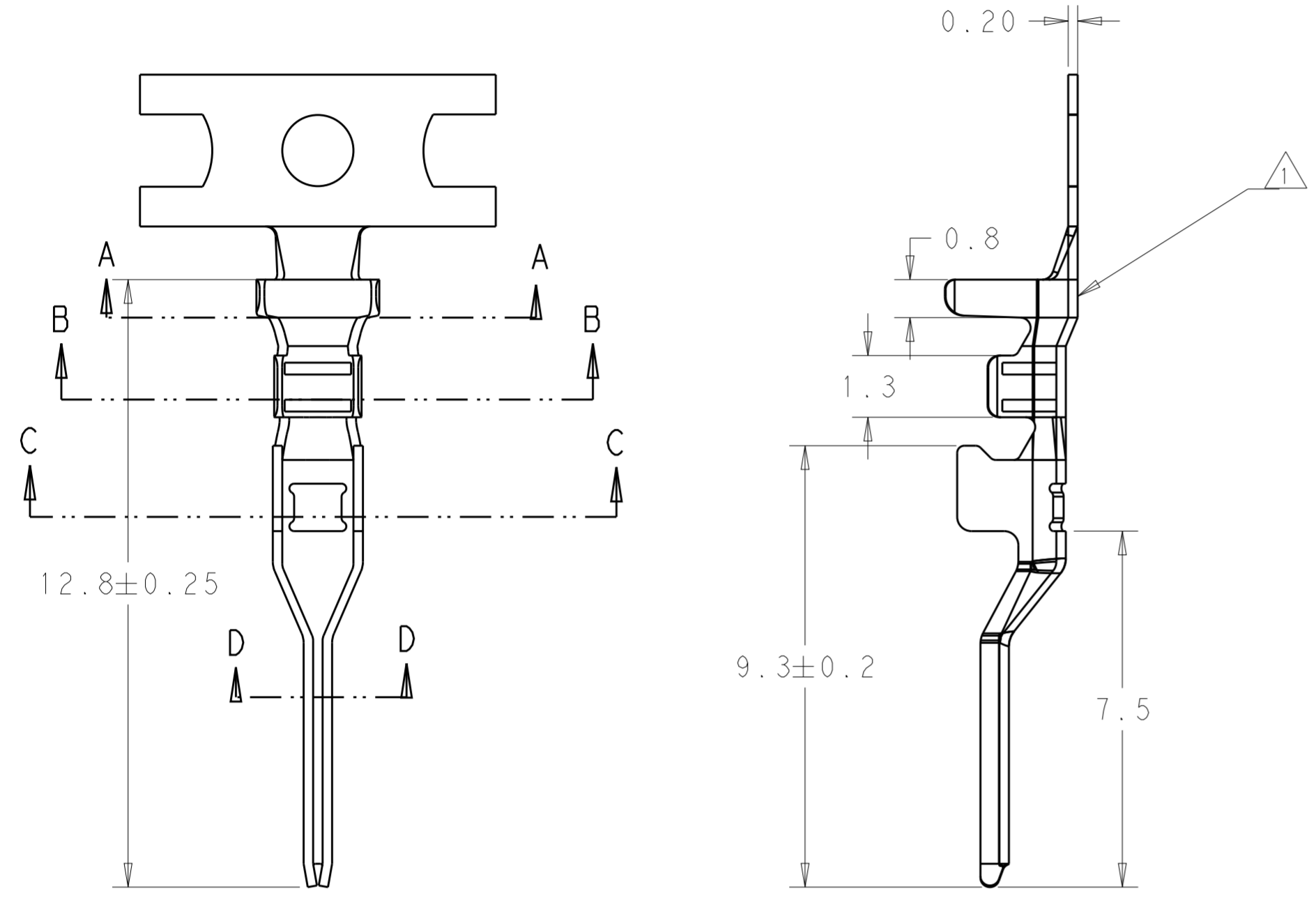
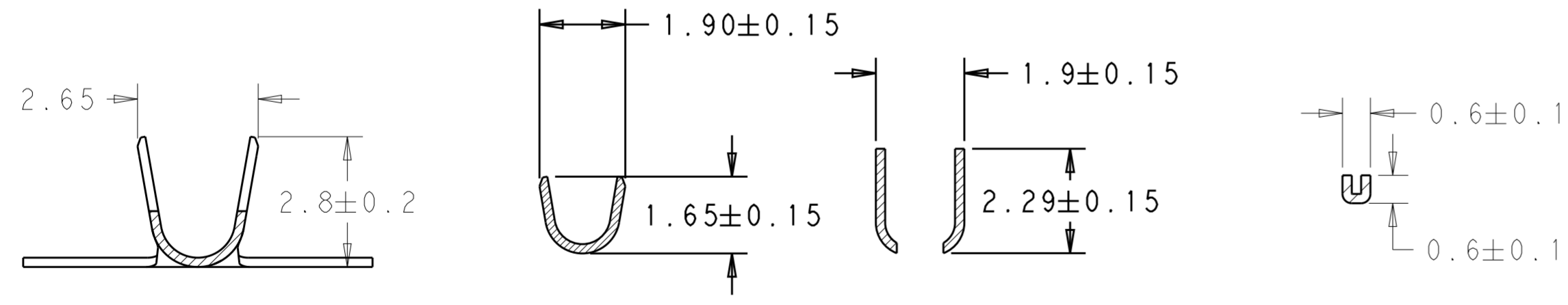
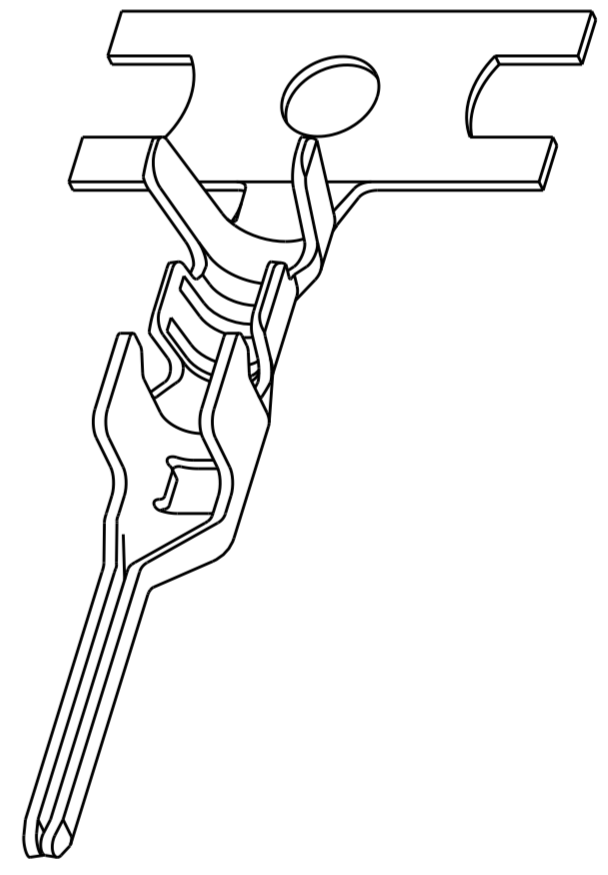


THIS DRAWING IS UNPUBLISHED. RELEASED FOR PUBLICATION 20
 © COPYRIGHT 20 BY - ALL RIGHTS RESERVED.

LOC		DIST		REVISIONS			
P	LTR	DESCRIPTION	DATE	DWN	APVD		
-	-	B	REVISED PER ECR-16-011195	09AUG16	O.C	D.Z	



- 1. TE LOGO.
- 2. QUANTITY PER REEL: 8000 PIECES.
- 3. CONTACT IS RoHS COMPLIANT.
- 4. WIRE RANGE: 22-26 AWG.
- 5. INSULATION RANGE: 1.3-1.7.



SECTION A-A SECTION B-B SECTION C-C SECTION D-D

TIN OVER NICKEL	BRASS	2238007-1
FINISH	MATERIAL	PART NO.

THIS DRAWING IS A CONTROLLED DOCUMENT.		DWN S. EDWARDS 14DEC2012	TE Connectivity	
		CHK - 14DEC2012		
DIMENSIONS: mm		APVD - 14DEC2012	NAME TERMINAL, PIN ECONOMY POWER 2.5	
TOLERANCES UNLESS OTHERWISE SPECIFIED: 0 PLC ±- 1 PLC ±0.5 2 PLC ±0.13 3 PLC ±0.013 4 PLC ±0.0001 ANGLES ±- FINISH		PRODUCT SPEC 108-2418	RESTRICTED TO	
MATERIAL SEE TABLE		APPLICATION SPEC 114-13315	SIZE A200779	DRAWING NO C-2238007
SEE TABLE		WEIGHT -	SCALE 9:1	SHEET 1 OF 1
		Customer Drawing	REV B	