

# Solid State Relays Industrial, 1-Phase ZS w. LED Types RS 23, RS 40, RS 48

CARLO GAVAZZI



- Zero switching AC Solid State Relay
- Direct copper bonding (DCB) technology in 25A and 40A types
- LED indication
- Clip-on IP 20 protection cover
- Self-lifting terminals
- Housing free of moulding mass
- 2 input ranges: 4-32 VDC and 18-36 VAC/VDC
- Operational ratings up to 40 AACrms and 480 VAC
- Blocking voltage: Up to 1200 V<sub>p</sub>
- Opto-isolation: > 4000 VACrms
- Integrated snubber network in 25 A and 40 A types



## Product Description

The zero switching relay with triac (10 A) or thyristor output (25 A, 40 A) offer a solution for resistive load switching. The zero switching relay switches ON when the sinusoidal voltage crosses zero and switches OFF when the current crosses zero. The

LED indicates the status of the control input. The clip-on cover is securing touch protection to IP 20. Output terminals can handle cables up to 16 mm<sup>2</sup>.

## Ordering Key

**RS 1 A 23 D 25**

Solid State Relay	RS
Number of poles	1
Switching mode	A
Rated operational voltage	23
Control voltage	D
Rated operational current	25

## Type Selection

Switching mode	Rated operational voltage	Rated operational current	Control voltage
A: Zero Switching	23: 230 VACrms 40: 400 VACrms 48: 480 VACrms	10: 10 AACrms 25: 25 AACrms 40: 40 AACrms	LA: 18 to 36 VAC/VDC D: 3 to 32 VDC* *4 to 32 VDC for 400 VAC and 480VAC types

## Selection Guide

Rated operational voltage	Non-rep. voltage	Control voltage	Rated operational current		
			10 A	25 A	40 A
230 VACrms	650 V <sub>p</sub>	3-32 VDC	RS1A23D10	RS1A23D25	RS1A23D40
		18-36 VAC/DC	RS1A23LA10	RS1A23LA25	RS1A23LA40
400 VACrms	850 V <sub>p</sub>	4-32 VDC	RS1A40D10	RS1A40D25	RS1A40D40
		18-36 VAC/DC	RS1A40LA10	RS1A40LA25	RS1A40LA40
480 VACrms	1200 V <sub>p</sub>	4-32 VDC	RS1A48D10	RS1A48D25	RS1A48D40
		18-36 VAC/DC	RS1A48LA10	RS1A48LA25	RS1A48LA40

## General Specifications

	RS1A23...	RS1A40...	RS1A48...
Operational voltage range	42 to 265 VACrms	42 to 440 VACrms	42 to 530 VACrms
Blocking voltage	≥ 650 V <sub>p</sub>	≥ 850 V <sub>p</sub>	≥ 1200 V <sub>p</sub>
Zero voltage turn-on	≤ 15 V	≤ 15 V	≤ 15 V
Operational frequency range	45 to 65 Hz	45 to 65 Hz	45 to 65 Hz
Power factor	≥ 0.95 @ 230 VACrms	≥ 0.95 @ 400 VACrms	≥ 0.95 @ 480 VACrms
Approvals	UR, cUR, CSA, EAC	UR, cUR, CSA, EAC	UR, cUR, CSA, EAC
CE-marking	Yes	Yes	Yes

## Input Specifications

	RS1A..D..	RS1A..LA...
<b>Control voltage</b> RS1.23.., RS1.40.., RS1.48..	3-32 VDC 4-32 VDC	18-36 VAC/DC
<b>Pick-up voltage</b> RS1.23.., RS1.40.., RS1.48..	≤ 2.75 VDC ≤ 3.75 VDC	≤ 18 VAC/DC
<b>Reverse voltage</b>	≤ 32 VDC	-
<b>Drop out voltage</b>	≥ 1.2 VDC	≥ 5 VAC/DC
<b>Input current @ max input voltage</b>	≤ 12 mA	≤ 15 mA
<b>Response time pick-up</b>	≤ 1/2 cycle	≤ 1 cycle
<b>Response time drop-out</b>	≤ 1/2 cycle	≤ 2 cycles

## Output Specifications

	RS1A...10	RS1A...25	RS1A...40
<b>Rated operational current</b> AC51 @ Ta=25°C	10 Arms	25 Arms	40 Arms
<b>Min. operational current</b>	150 mA	150 mA	250 mA
<b>Rep. overload current t=1 s</b>	< 12 AACrms	< 55 AACrms	< 125 AACrms
<b>Non-rep. surge current t=10 ms</b>	100 A <sub>p</sub>	325 A <sub>p</sub>	600 A <sub>p</sub>
<b>Off-state leakage current @ rated voltage and frequency</b>	< 3 mArms	< 3 mArms	< 3 mArms
<b>I<sup>2</sup>t for fusing t=10 ms</b>	≤ 50 A <sup>2</sup> s	≤ 525A <sup>2</sup> s	≤ 1800 A <sup>2</sup> s
<b>On-state voltage drop @ rated current</b>	≤ 1.6 Vrms	≤ 1.6 Vrms	≤ 1.6 Vrms
<b>Critical dV/dt off-state</b>	≥ 500V/μs	≥ 500 V/μs	≥ 500 V/μs

## Thermal Specifications

	RS1A...10	RS1A...25	RS1A...40
<b>Operating temperature</b>	-20° to 70°C	-40° to 80°C	-40° to 80°C
<b>Storage temperature</b>	-20° to 80°C	-50° to 100°C	-50° to 100°C

## Housing Specifications

Weight	Approx. 60 g
Housing material	Noryl GFN 1, black
Baseplate	Aluminium
Potting compound	None
Relay	
Mounting screws	M5
Mounting torque	1.5-2.0 Nm
Control terminal	
Mounting screws	M3 x 9
Mounting torque	0.5 Nm
Power terminal	
Mounting screws	M5 x 9
Mounting torque	2.4 Nm

## Isolation

<b>Rated isolation voltage</b> Input to output	≥ 4000 VACrms
<b>Rated isolation voltage</b> Output to case	≥ 4000 VACrms

## Heatsink Dimensions (load current versus ambient temperature)

### RS....10

Load current [A]	Thermal resistance [K/W]						Power dissipation [W]
	20	30	40	50	60	70	
10.0	3.34	2.58	1.81	1.04	0.27	-	13.0
9.0	4.25	3.37	2.49	1.61	0.73	-	11.3
8.0	5.41	4.38	3.36	2.33	1.31	0.28	9.7
7.0	6.92	5.70	4.49	3.27	2.06	0.84	8.2
6.0	8.96	7.49	6.02	4.55	3.08	1.61	6.8
5.0	11.9	10.0	8.19	6.36	4.53	2.69	5.5
4.0	16.2	13.9	11.5	9.10	6.72	4.34	4.2
3.0	23.7	20.3	17.0	13.7	10.4	7.12	3.0
2.0	38.6	33.4	28.3	23.1	17.9	12.7	1.9
1.0	-	-	-	-	-	29.7	0.9

T<sub>A</sub>  
Ambient temp. [°C]

### RS....25

Load current [A]	Thermal resistance [K/W]						Power dissipation [W]	
	20	30	40	50	60	70		
25.0	3.23	2.80	2.37	1.94	1.51	1.09	0.66	23
22.5	3.70	3.21	2.73	2.24	1.75	1.26	0.78	21
20.0	4.30	3.74	3.17	2.61	2.05	1.49	0.92	18
17.5	5.07	4.41	3.76	3.10	2.44	1.78	1.12	15
15.0	6.12	5.33	4.54	3.75	2.96	2.17	1.38	13
12.5	7.58	6.61	5.64	4.66	3.69	2.72	1.75	10
10.0	9.80	8.55	7.30	6.05	4.80	3.55	2.30	8
7.5	13.5	11.80	10.09	8.37	6.66	4.94	3.23	6
5.0	-	18.3	15.7	13.04	10.39	7.74	5.09	4
2.5	-	-	-	-	-	16.2	10.7	2

T<sub>A</sub>  
Ambient temp. [°C]

## Heatsink Dimensions (cont.)

### RS....40

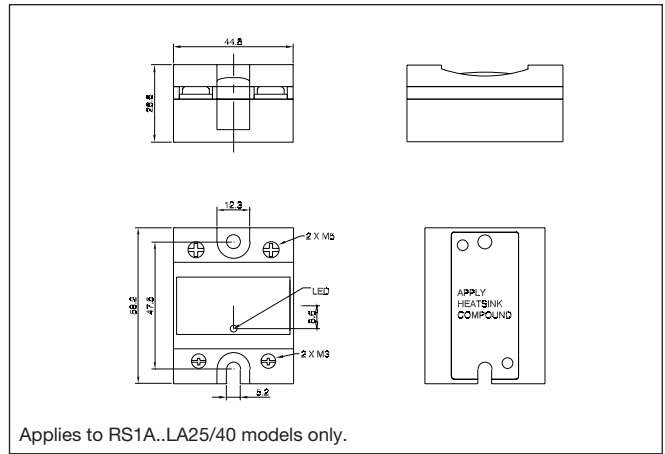
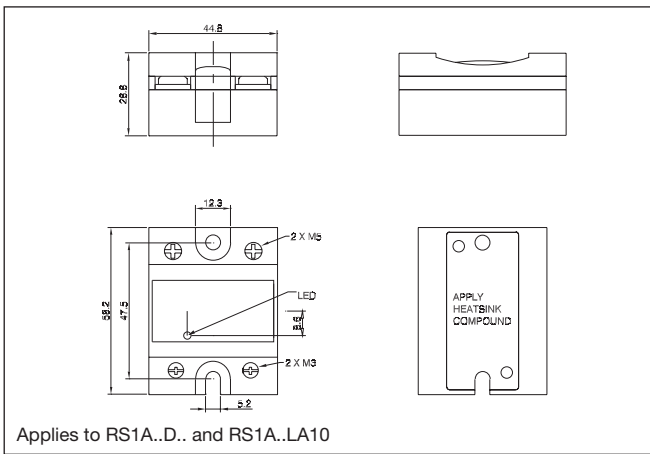
Load current [A]	Thermal resistance [K/W]						Power dissipation [W]	
	20	30	40	50	60	70		
40	1.73	1.49	1.25	1.01	0.77	0.52	0.28	41
36	2.00	1.73	1.45	1.18	0.90	0.63	0.35	36
32	2.35	2.03	1.71	1.39	1.08	0.76	0.44	31
28	2.80	2.43	2.05	1.68	1.30	0.93	0.55	27
24	3.41	2.96	2.51	2.05	1.60	1.15	0.70	22
20	4.26	3.71	3.15	2.59	2.03	1.47	0.92	18
16	5.56	4.84	4.12	3.40	2.68	1.96	1.24	14
12	7.74	6.74	5.75	4.76	3.77	2.78	1.78	10
8	12.12	10.58	9.04	7.50	5.96	4.42	2.88	6
4	-	-	-	15.74	12.56	9.37	6.18	3

T<sub>A</sub>  
Ambient temp. [°C]

## Heatsink Selection

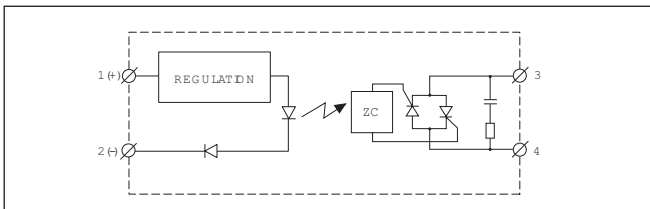
Carlo Gavazzi Heatsink (see Accessories)	Thermal resistance...	...for power dissipation
No heatsink required	---	N/A
RHS 300	5.00 K/W	> 0 W
RHS 100	3.00 K/W	> 25 W
RHS 45C	2.70 K/W	> 60 W
RHS 45B	2.00 K/W	> 60 W
RHS 90A	1.35 K/W	> 60 W
RHS 45C plus fan	1.25 K/W	> 0 W
RHS 45B plus fan	1.20 K/W	> 0 W
RHS 112A	1.10 K/W	> 100 W
RHS 301	0.80 K/W	> 70 W
RHS 90A plus fan	0.45 K/W	> 0 W
RHS 112A plus fan	0.40 K/W	> 0 W
RHS 301 plus fan	0.25 K/W	> 0 W
Consult your distribution	> 0.25 K/W	N/A
Infinite heatsink - No solution	---	N/A

## Dimensions

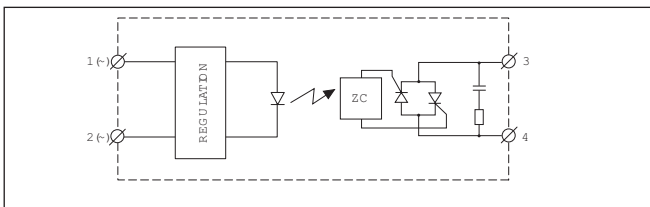


All dimensions in mm.

## Functional Diagram



DC Control Voltage



AC Control Voltage

## Environmental Information

The declaration in this section is prepared in compliance with People's Republic of China Electronic Industry Standard SJ/T11364-2014: Marking for the Restricted Use of Hazardous Substances in Electronic and Electrical Products.

Part Name	Toxic or Harardous Substances and Elements					
	Lead (Pb)	Mercury (Hg)	Cadmium (Cd)	Hexavalent Chromium (Cr(VI))	Polybrominated biphenyls (PBB)	Polybrominated diphenyl ethers (PBDE)
Power Unit Assembly	x	○	○	○	○	○
<p>O: Indicates that said hazardous substance contained in homogeneous materials for this part are below the limit requirement of GB/T 26572.</p> <p>X: Indicates that said hazardous substance contained in one of the homogeneous materials used for this part is above the limit requirement of GB/T 26572.</p>						

## 环境特性

这份申明根据中华人民共和国电子工业标准 SJ/T11364-2014：标注在电子电气产品中限定使用的有害物质

零件名称	有毒或有害物质与元素					
	铅 (Pb)	汞 (Hg)	镉 (Cd)	六价铬 (Cr(VI))	多溴化联苯 (PBB)	多溴联苯醚 (PBDE)
功率单元	x	○	○	○	○	○
<p>O:此零件所有材料中含有的该有害物低于GB/T 26572的限定。</p> <p>X: 此零件某种材料中含有的该有害物高于GB/T 26572的限定。</p>						



## Faston terminals



- Fast-on tabs
- Tab dimensions according to DIN 46342 part 1
- Pure tin-plated brass

## Ordering Key

### Screw mounted Faston terminals

**RS1A48D25 F 4**

RS, RM Solid State Relay

Faston terminals

Tab orientation

Input Tab width: 4.8mm

Output Tab width: 6.3mm

### Faston terminals in packs of 20

**RM48\*\* F4**

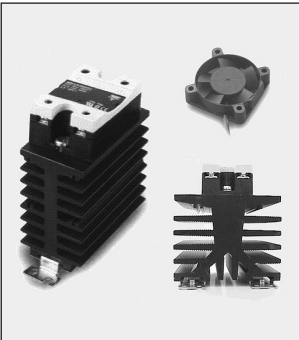
RS, RM Solid State Relay

Tab orientation

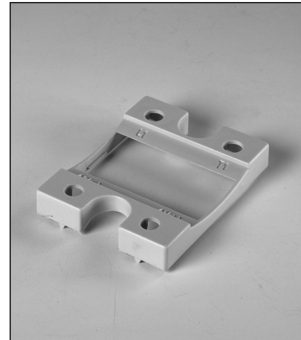
- \* 0: Flat (0°)
- 4: Angled (45°)

- \*\* 48: 4.8mm faston for input
- 63: 6.3mm faston for output

## Other Accessories



- Heatsinks and fans
- Type RHS....
- 0.25 to 5.00 k/W
- Single and dual relay types



- Touch safety cover
- Type RMIP20
- IP20 protection degree
- Pack size: 20 pieces

All accessories can be ordered pre-assembled with Solid State Relays. Other accessories include DIN rail adaptors, fuses, varistors and spacers. For further information refer to Accessories datasheets.