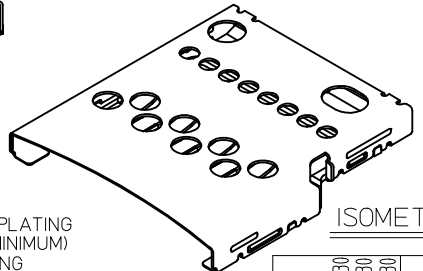


Lot No. ロット番号
 0 25 3 30 V 1
 THE YEAR OF GRACE 西暦(下二桁)
 WEEK NUMBER 週数
 A DAY OF THE WEEK 曜日
 LINE No. & SHIFT No. ライン・シフト番号
 DIE Ver. No. : P or V or A 金型バージョン
 MATERIAL Ver. No. 製品バージョン

- NOTES :
- MATERIAL 材料
 HOUSING : LIQUID CRYSTAL POLYMER
 UL94V-0, COLOR:BLACK
 TERMINAL : COPPER ALLOY
 SHELL : COPPER ALLOY
 - PLATING めっき仕様
 TERMINAL CONTACT AREA : SEPARATED GOLD PLATING (0.5 MICROMETER MINIMUM)
 TAIL AREA : SEPARATED GOLD PLATING
 UNDERPLATE : NICKEL OVERALL (1.0 MICROMETER MINIMUM)
 SHELL NO PLATING
 - COPLANARITY TO BE 0.08 MAXIMUM.
 平坦度は0.08MAX.とする。
 - (DIMENSION) : REFERENCE VALUE (寸法) : 参考値
- △5 PATTERN KEEP OUT AREA
 パターン禁止エリア
- △6 NO COMPONENTS AREA
 部品搭載禁止エリア
7. ELV AND ROHS COMPLIANT.



ISOMETRIC VIEW

RECOMMENDED P.W.BOARD PATTERN LAYOUT
 推奨基板パターンレイアウト (TOLERANCE : ±0.05)

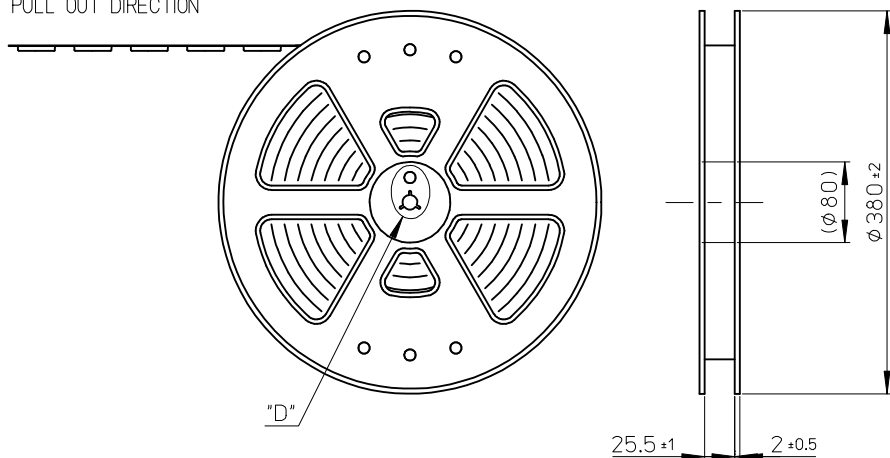
503735-0891
 EMBOSSED TAPE PACKAGE
 ORDER No. オーダー番号

REVISED EC NO: J2013-0840 DRWN:MTAKASAKI 2013/01/30 CHKD:MTOMITA 2013/01/30 APPR:Y01TO 2013/01/30	DESCRIPTION A	GENERAL TOLERANCES (UNLESS SPECIFIED)		DIMENSION STYLE MM ONLY	SCALE 5:1	DESIGN UNITS METRIC	THIRD ANGLE PROJECTION	
		10 UNDER	±0.2	DRAWN BY MTAKASAKI	DATE 2010/12/16	TITLE MICROSD CARD CONNECTOR PUSH-PULL & NORMAL SIMPLE SMALL TYPE		
		10 OVER 30 UNDER	±0.25	CHECKED BY MTOMITA	DATE 2010/12/16			
		30 OVER	±0.3	APPROVED BY NUKITA	DATE 2011/06/17			
ANGULAR ±1 °		DRAFT WHERE APPLICABLE MUST REMAIN WITHIN DIMENSIONS		MATERIAL NO. SEE CHART	DOCUMENT NO. SD-503735-001	SHEET NO. 1 OF 1		
THIS DRAWING CONTAINS INFORMATION THAT IS PROPRIETARY TO MOLEX INCORPORATED AND SHOULD NOT BE USED WITHOUT WRITTEN PERMISSION								

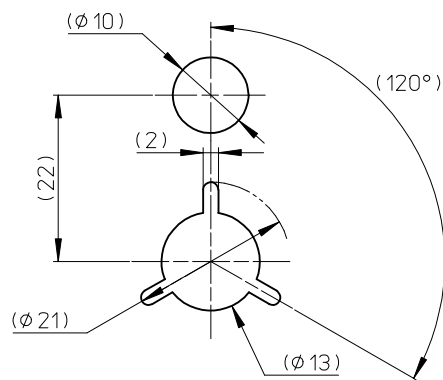
NOTES

- 製品詳細寸法については、SD 図面を参照下さい。
RE DETAILED DIMENSION, SEE SALES DRAWING.
- 梱包数量：2300個/リール
NUMBER OF CONNECTORS：2300 PCS/REEL.
- リードテープ長さ LEAD TAPE LENGTH.

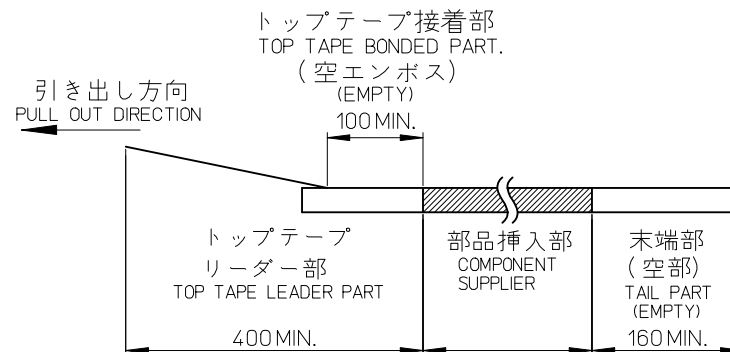
引き出し方向
PULL OUT DIRECTION



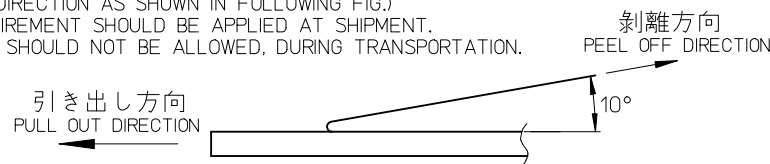
"D"



DETAIL "D"



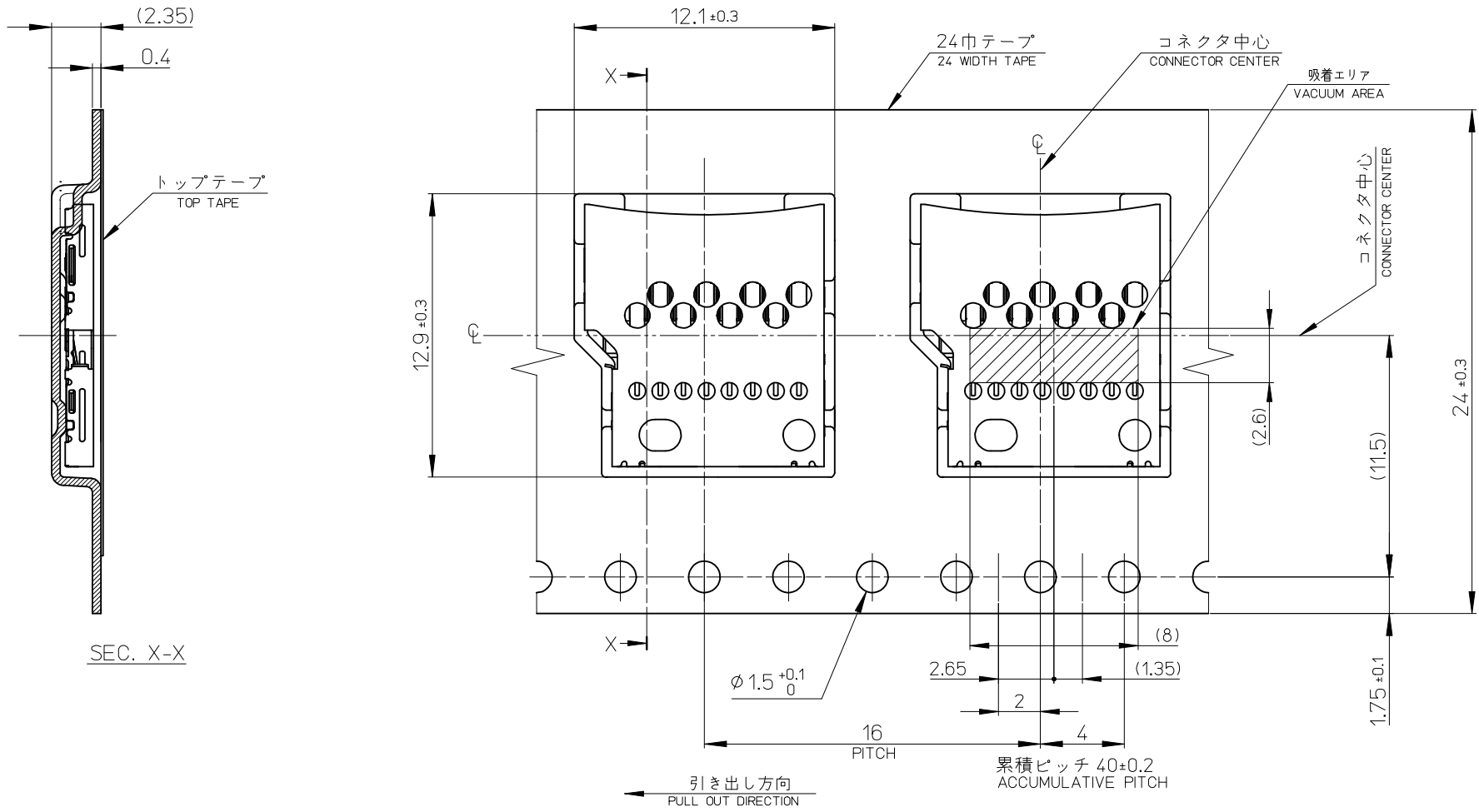
- トップテープの剥離強度：JIS C0806-3に準拠(剥離方向は下図参照)尚、本規格値は出荷時に適用。(但し、輸送時に剥離が発生しないこと。)
PEELING OFF FORCE OF TOP TAPE : BASED UPON JIS C0806-3 (PEELING DIRECTION AS SHOWN IN FOLLOWING FIG.) THIS REQUIREMENT SHOULD BE APPLIED AT SHIPMENT. PEEL OFF SHOULD NOT BE ALLOWED, DURING TRANSPORTATION.



- 材料 MATERIAL
キャリアテープ (CARRIER TAPE) : ポリスチレン (POLYSTYRENE)
トップテープ (TOP TAPE) : PET, PE, PEF
リール (REEL) : ポリスチレン (PS) <リサイクル材含む>
POLYSTYRENE (PS) <RECYCLE MATERIAL CONTAINED>

503735-0891	8
EMBOSSED PACKAGE	極数
オーダー番号 ORDER NO.	CIRCUITS
CONNECTOR SERIES No. 503735-**11	

REVISED EC NO.: J2013-0840 DRWN:MTAKASAKI 2013/01/30 CHKD:MTOMITA 2013/01/30 APPR:YOKO 2013/01/30	DESCRIPTION A	GENERAL TOLERANCES (UNLESS SPECIFIED)		DIMENSION STYLE MM ONLY		SCALE ---	DESIGN UNITS METRIC	THIRD ANGLE PROJECTION	
		10 UNDER	±0.2	DRAWN BY MTAKASAKI	DATE 2011/06/01	TITLE EMBOSSED TAPE PACKAGE FOR 503735-**11			
		10 OVER 30 UNDER	±0.25	CHECKED BY MTOMITA	DATE 2011/06/01	MATERIAL NO. SEE CHART			
		30 OVER	±0.3	APPROVED BY NUKITA	DATE 2011/06/17	DOCUMENT NO. SD-503735-002			
ANGULAR ±1 °		DRAFT WHERE APPLICABLE MUST REMAIN WITHIN DIMENSIONS		SIZE A3		THIS DRAWING CONTAINS INFORMATION THAT IS PROPRIETARY TO MOLEX INCORPORATED AND SHOULD NOT BE USED WITHOUT WRITTEN PERMISSION			



SEE SHEET 1 OF 2 EC NO: J2013-0840 DRWN: MTAKASAKI 2013/01/30 CHKD: MTOMITA 2013/01/30 APPR: YOKO 2013/01/30	GENERAL TOLERANCES (UNLESS SPECIFIED)		DIMENSION STYLE MM ONLY		SCALE ---	DESIGN UNITS METRIC	THIRD ANGLE PROJECTION
	10 UNDER	±0.2	DRAWN BY MTAKASAKI	DATE 2011/06/01	TITLE EMBOSSSED TAPE PACKAGE FOR 503735-***11		
	10 OVER 30 UNDER	±0.25	CHECKED BY MTOMITA	DATE 2011/06/01			
	30 OVER	±0.3	APPROVED BY NUKITA	DATE 2011/06/17	molex DOCUMENT NO. SD-503735-002 SHEET NO. 2 OF 2		
ANGULAR ±1 °		MATERIAL NO. SEE SHEET 1 OF 2					
DRAFT WHERE APPLICABLE MUST REMAIN WITHIN DIMENSIONS		THIS DRAWING CONTAINS INFORMATION THAT IS PROPRIETARY TO MOLEX INCORPORATED AND SHOULD NOT BE USED WITHOUT WRITTEN PERMISSION					