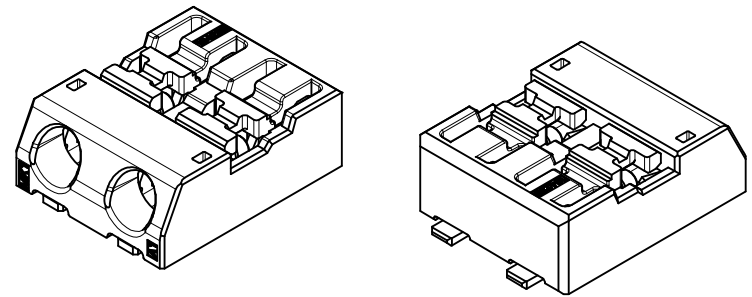
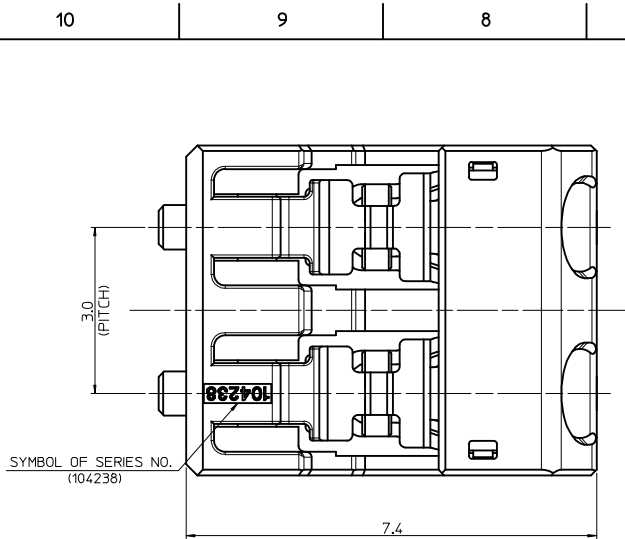


RECOMMENDED PCB LAY OUT
[GENERAL TOLERANCE : ±0.05]

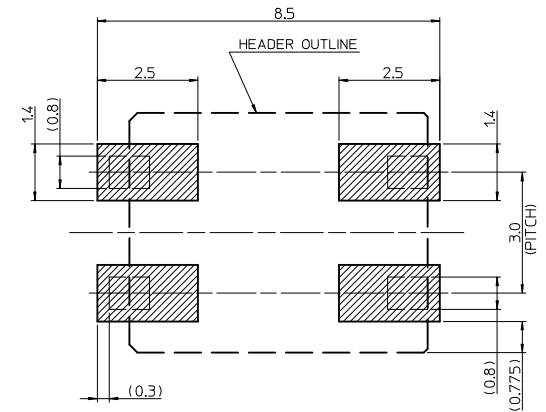
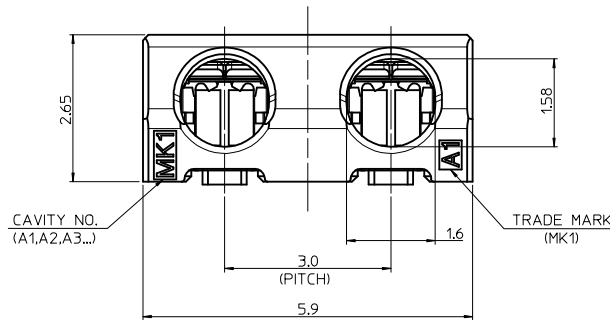
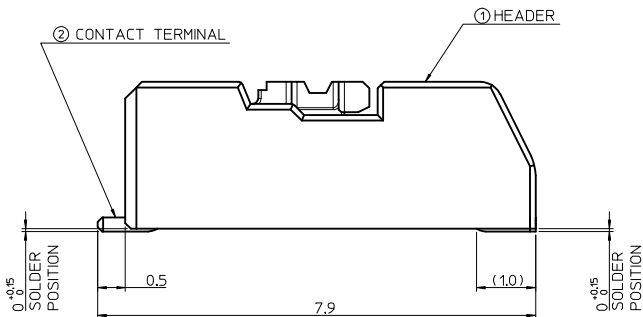
NOTE

- MATERIAL
 - HEADER : LCP, GLASS FILLED, UL94V-0 HALOGEN FREE, COLOR OF NATURAL
 - CONTACT TERMINAL : COPPER-ALLOY, 0.25mm THICKNESS
- PLATING
 - CONTACT TERMINAL : TIN -PLATED 0.8μm MINIMUM TIN PLATING
- PRODUCT SPECIFICATION : PS-104238-001
- PACKAGING SPECIFICATION : PK-104238-001
- COPLANALITY OF SOLDER TAILS (PEAK TEMP. : 260°C), BEFORE & AFTER REFLOW : 0.08 MAX.
- APPLICABLE SOLID WIRE RANGE : (OUTSIDE WIRE INSULATION : 1.48mm DIAMETER MAX.) - SOLID WIRE : AWG #26~#22

RELEASED EC NO: KOR2015-0096 DRWN: SCHONG03 2015/01/12 CHKD: SHCHU 2015/01/12 APPR: YSK1M02 2015/03/30	QUALITY SYMBOLS ▽=0 ◻=0	GENERAL TOLERANCES (UNLESS SPECIFIED)		DIMENSION STYLE MM ONLY		SCALE 11:1	DESIGN UNITS METRIC	THIRD ANGLE PROJECTION		
			mm	INCH	DRAWN BY	DATE	TITLE			
		4 PLACES	± ---	± ---	SCHONG03	2015/01/12	MINI LITE-TRAP CONNECTOR HEADER ASS'Y -2P			
		3 PLACES	± ---	± ---	CHECKED BY	DATE				
2 PLACES	± 0.15	± ---	SHCHU	2015/01/12						
1 PLACE	± 0.20	± ---	APPROVED BY	DATE						
0 PLACE	± ---	± ---	YSK1M02	2015/03/30	MATERIAL NO. 1042380210		DOCUMENT NO. SD-104238-003		SHEET NO. 1 OF 1	
DRAFT WHERE APPLICABLE MUST REMAIN WITHIN DIMENSIONS		ANGULAR ± 3 °		SIZE A3		THIS DRAWING CONTAINS INFORMATION THAT IS PROPRIETARY TO MOLEX INCORPORATED AND SHOULD NOT BE USED WITHOUT WRITTEN PERMISSION				



ISOMETRIC VIEW
(Scale 7/1)

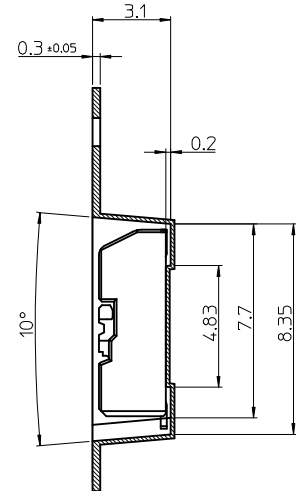
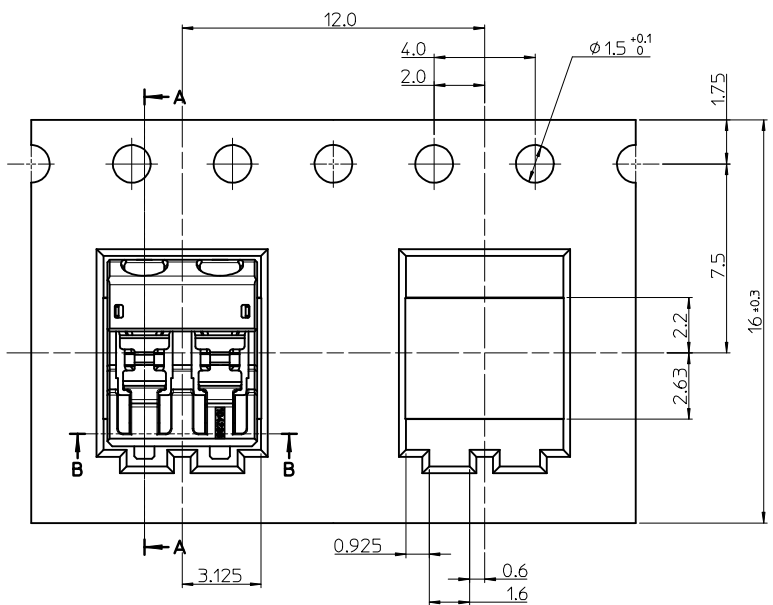


RECOMMENDED PCB LAY OUT
(GENERAL TOLERANCE : ±0.05)

NOTE

1. MATERIAL
 - ① - HEADER : LCP, GLASS DILLED, UL94V-0 HALOGEN FREE, COLOR OF NATURAL
 - ② - CONTACT TERMINAL : COPPER-ALLOY, 0.25mm THICKNESS
2. PLATING
 - CONTACT TERMINAL : TIN -PLATED 0.8μm MINIMUM TIN PLAING
3. PRODUCT SPECIFICATION : PS-104238-001
4. PACKAGING SPECIFICATION : PK-104238-001
5. COPLANALITY OF SOLDER TAILS (PEAK TEMP. : 260°C), BEFORE & AFTER REFLOW : 0.08 MAX.
6. APPLICABLE SOLIDE WIRE RANGE :
 - (OUTSIDE WIRE INSULATION : 1.48mm DIAMETER MAX.)
 - SOLID WIRE : AWG #26~#22

RELEASED EC NO: KOR2015-0096 DRWN: SCHONG03 2015/01/12 CHKD: SHCHU 2015/01/12 APPR: YSK1M02 2015/03/30	DESCRIPTION A	QUALITY SYMBOLS	GENERAL TOLERANCES (UNLESS SPECIFIED)	DIMENSION STYLE	SCALE	DESIGN UNITS	THIRD ANGLE PROJECTION																		
		$\nabla=0$ $\sphericalcap=0$	<table border="1"> <thead> <tr> <th></th> <th>mm</th> <th>INCH</th> </tr> </thead> <tbody> <tr> <td>4 PLACES</td> <td>± ---</td> <td>± ---</td> </tr> <tr> <td>3 PLACES</td> <td>± ---</td> <td>± ---</td> </tr> <tr> <td>2 PLACES</td> <td>± 0.15</td> <td>± ---</td> </tr> <tr> <td>1 PLACE</td> <td>± 0.20</td> <td>± ---</td> </tr> <tr> <td>0 PLACE</td> <td>± ---</td> <td>± ---</td> </tr> </tbody> </table>		mm	INCH	4 PLACES	± ---	± ---	3 PLACES	± ---	± ---	2 PLACES	± 0.15	± ---	1 PLACE	± 0.20	± ---	0 PLACE	± ---	± ---	MM ONLY	11:1	METRIC	
			mm	INCH																					
		4 PLACES	± ---	± ---																					
3 PLACES	± ---	± ---																							
2 PLACES	± 0.15	± ---																							
1 PLACE	± 0.20	± ---																							
0 PLACE	± ---	± ---																							
DRAFT WHERE APPLICABLE MUST REMAIN WITHIN DIMENSIONS	<table border="1"> <thead> <tr> <th>DRAWN BY</th> <th>DATE</th> <th>TITLE</th> </tr> </thead> <tbody> <tr> <td>SCHONG03</td> <td>2015/01/12</td> <td rowspan="4">MINI LITE-TRAP CONNECTOR HEADER ASS'Y -2P</td> </tr> <tr> <td>CHECKED BY</td> <td>DATE</td> </tr> <tr> <td>SHCHU</td> <td>2015/01/12</td> </tr> <tr> <td>APPROVED BY</td> <td>DATE</td> </tr> <tr> <td>YSK1M02</td> <td>2015/03/30</td> <td></td> </tr> </tbody> </table>	DRAWN BY	DATE	TITLE	SCHONG03	2015/01/12	MINI LITE-TRAP CONNECTOR HEADER ASS'Y -2P	CHECKED BY	DATE	SHCHU	2015/01/12	APPROVED BY	DATE	YSK1M02	2015/03/30		<table border="1"> <tr> <td>MATERIAL NO.</td> <td>DOCUMENT NO.</td> <td>SHEET NO.</td> </tr> <tr> <td>1042380210</td> <td>SD-104238-003</td> <td>1 OF 1</td> </tr> </table>	MATERIAL NO.	DOCUMENT NO.	SHEET NO.	1042380210	SD-104238-003	1 OF 1		
DRAWN BY	DATE	TITLE																							
SCHONG03	2015/01/12	MINI LITE-TRAP CONNECTOR HEADER ASS'Y -2P																							
CHECKED BY	DATE																								
SHCHU	2015/01/12																								
APPROVED BY	DATE																								
YSK1M02	2015/03/30																								
MATERIAL NO.	DOCUMENT NO.	SHEET NO.																							
1042380210	SD-104238-003	1 OF 1																							
		THIS DRAWING CONTAINS INFORMATION THAT IS PROPRIETARY TO MOLEX INCORPORATED AND SHOULD NOT BE USED WITHOUT WRITTEN PERMISSION																							

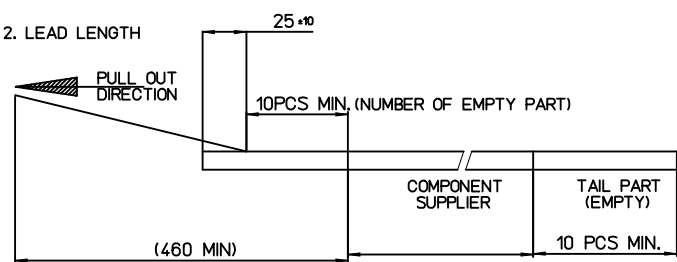


Section A-A

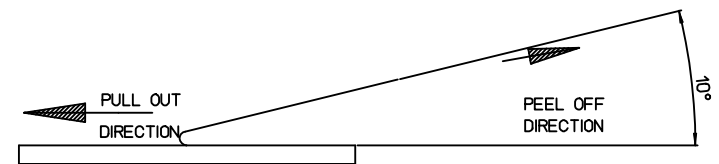
NOTES

1. QUANTITY OF CONNECTORS : 2,500 PCS/REEL

2. LEAD LENGTH



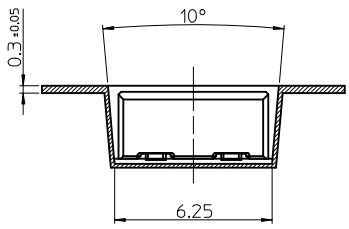
3. PEELING OFF FORCE OF COVER TAPE : 0.1N~0.59N(10.2GF~60GF)
 (PEELING DIRECTION AS SHOW IN FOLLOW FIG.)
 PEELING OFF SPEED : 300mm/Min.(Ref.)



4. FLASH IN ANY PORTION SHOULD BE LESS THAN 0.20mm MAX.
 5. UNLESS OTHERWISE SPECIFIED INNER R0.2 MAX

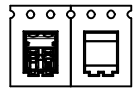
[TABLE]

1042380210	104238-0210	NATURAL	16.0mm	104238-9002
MATERIAL NO.	NO.	COLOR	TAPE WIDTH	EMBOSS TAPE
	CONNECTOR			

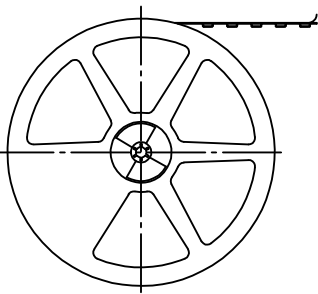


Section B-B

PULL OUT DIRECTION

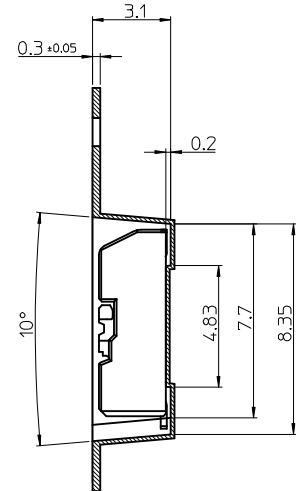
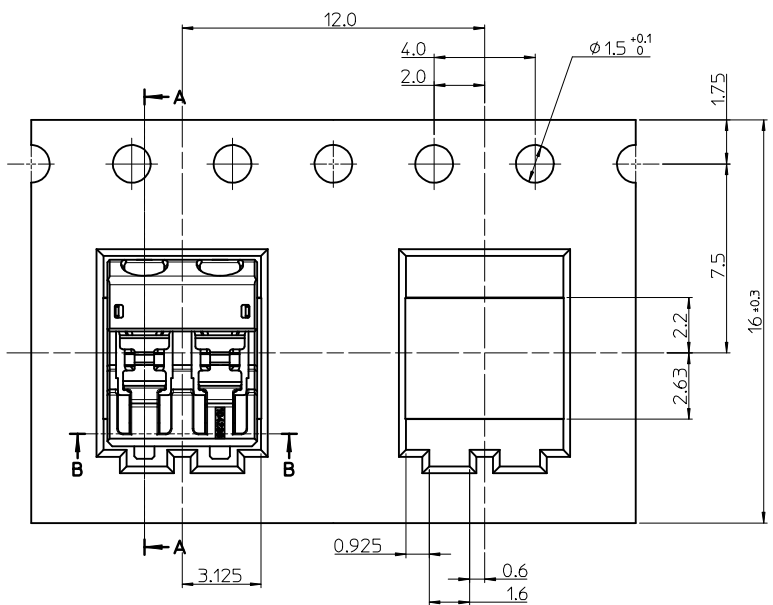


PULL OUT DIRECTION



PLASTIC BOBBIN

RELEASED EC NO: KOR2015-0074 DRWN: SCHONG03 2014/12/10 CHKD: SHCHU 2014/12/10 APPR: YSKI M02 2014/12/11	QUALITY SYMBOLS ▽=0 □=0	GENERAL TOLERANCES (UNLESS SPECIFIED)		DIMENSION STYLE MM ONLY		SCALE 5:1	DESIGN UNITS METRIC	THIRD ANGLE PROJECTION	
		4 PLACES 3 PLACES 2 PLACES 1 PLACE 0 PLACE	mm INCH	DRAWN BY SCHONG03	DATE 2014/12/10	TITLE MINI S-POKE CONN. -2P MINI LITE TRAP CONN.2CKT EMBOSS PACKAGE			
		ANGULAR ± 1 °	DRAFT WHERE APPLICABLE MUST REMAIN WITHIN DIMENSIONS	CHECKED BY SHCHU	DATE 2014/12/10	DOCUMENT NO. SD-104238-004			
		MATERIAL NO. 1042380210	SIZE A3	THIS DRAWING CONTAINS INFORMATION THAT IS PROPRIETARY TO MOLEX INCORPORATED AND SHOULD NOT BE USED WITHOUT WRITTEN PERMISSION					

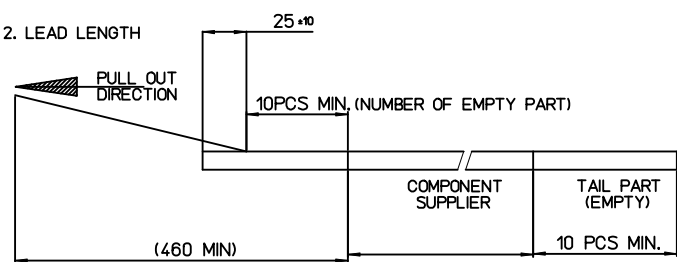


Section A-A

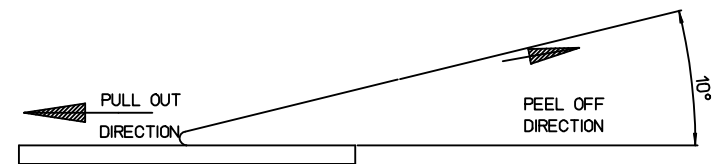
NOTES

1. QUANTITY OF CONNECTORS : 2,500 PCS/REEL

2. LEAD LENGTH



3. PEELING OFF FORCE OF COVER TAPE : 0.1N~0.59N(10.2GF~60GF)
 (PEELING DIRECTION AS SHOW IN FOLLOW FIG.)
 PEELING OFF SPEED : 300mm/Min.(Ref.)

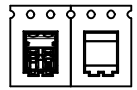


4. FLASH IN ANY PORTION SHOULD BE LESS THAN 0.20mm MAX.
 5. UNLESS OTHERWISE SPECIFIED INNER R0.2 MAX

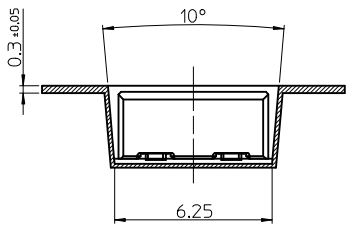
[TABLE]

1042380210	104238-0210	NATURAL	16.0mm	104238-9002
MATERIAL NO.	NO.	COLOR	TAPE WIDTH	EMBOSS TAPE
	CONNECTOR			

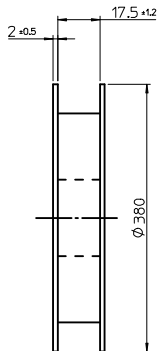
PULL OUT DIRECTION →



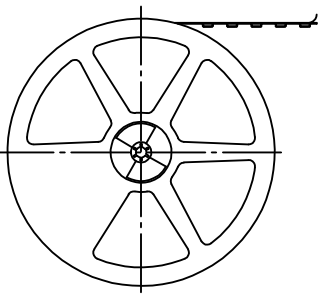
PULL OUT DIRECTION →



Section B-B



PLASTIC BOBBIN



RELEASED EC NO: KOR2015-0074 DRWN: SCHONG03 2014/12/10 CHKD: SHCHU 2014/12/10 APPR: YSKI M02 2014/12/11	QUALITY SYMBOLS ▽=0 □=0	GENERAL TOLERANCES (UNLESS SPECIFIED)		DIMENSION STYLE MM ONLY		SCALE 5:1	DESIGN UNITS METRIC	THIRD ANGLE PROJECTION	
		4 PLACES ± --- ± ---	3 PLACES ± --- ± ---	DRAWN BY SCHONG03	DATE 2014/12/10	TITLE MINI S-POKE CONN. -2P MINI LITE TRAP CONN.2CKT EMBOSSED PACKAGE			
		2 PLACES ± 0.15 ± ---	1 PLACE ± 0.20 ± ---	CHECKED BY SHCHU	DATE 2014/12/10	MATERIAL NO. 1042380210			
		0 PLACE ± --- ± ---	ANGULAR ± 1 °	APPROVED BY YSKIM02	DATE 2014/12/11	DOCUMENT NO. SD-104238-004		SHEET NO. 1 OF 1	
A	REV	DRAFT WHERE APPLICABLE MUST REMAIN WITHIN DIMENSIONS		SIZE A3		THIS DRAWING CONTAINS INFORMATION THAT IS PROPRIETARY TO MOLEX INCORPORATED AND SHOULD NOT BE USED WITHOUT WRITTEN PERMISSION			