

THIS DRAWING IS UNPUBLISHED.

RELEASED FOR PUBLICATION

20

LOC J

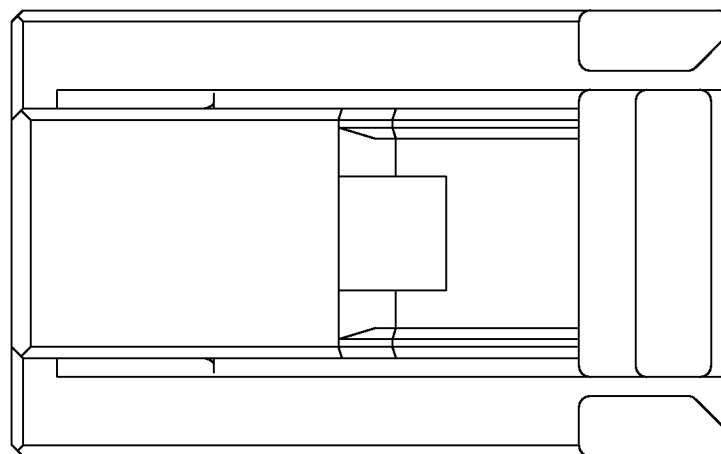
DIST -

REVISIONS

© COPYRIGHT 20

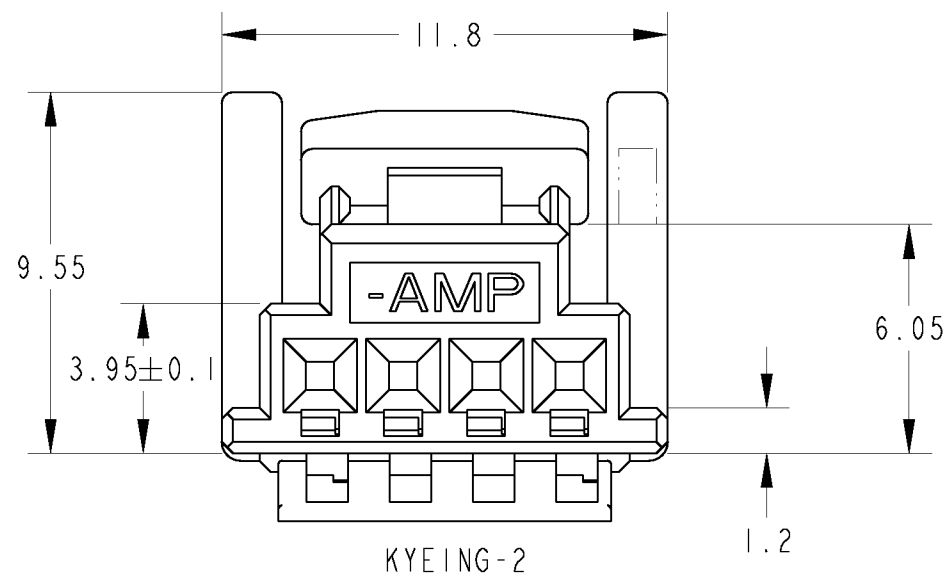
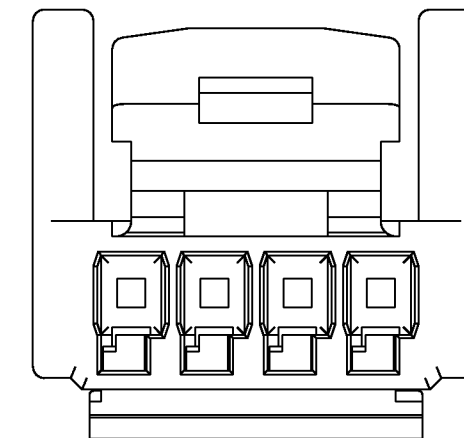
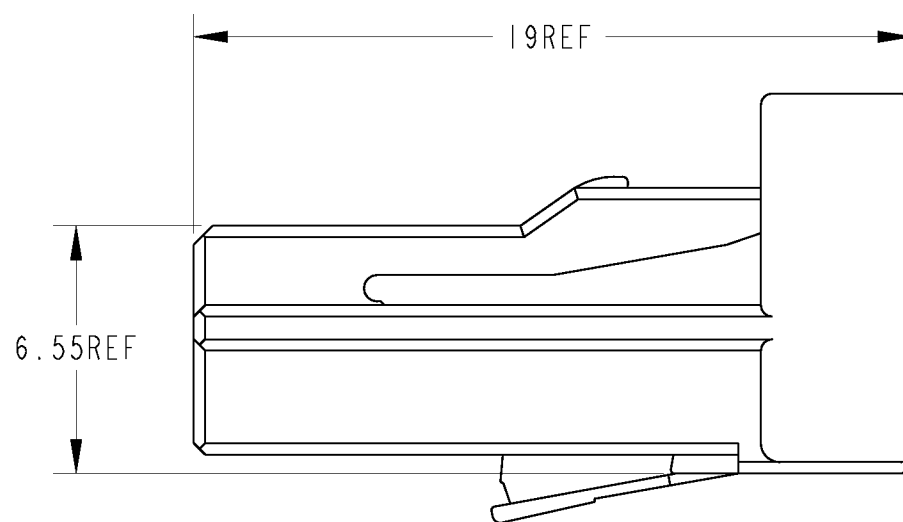
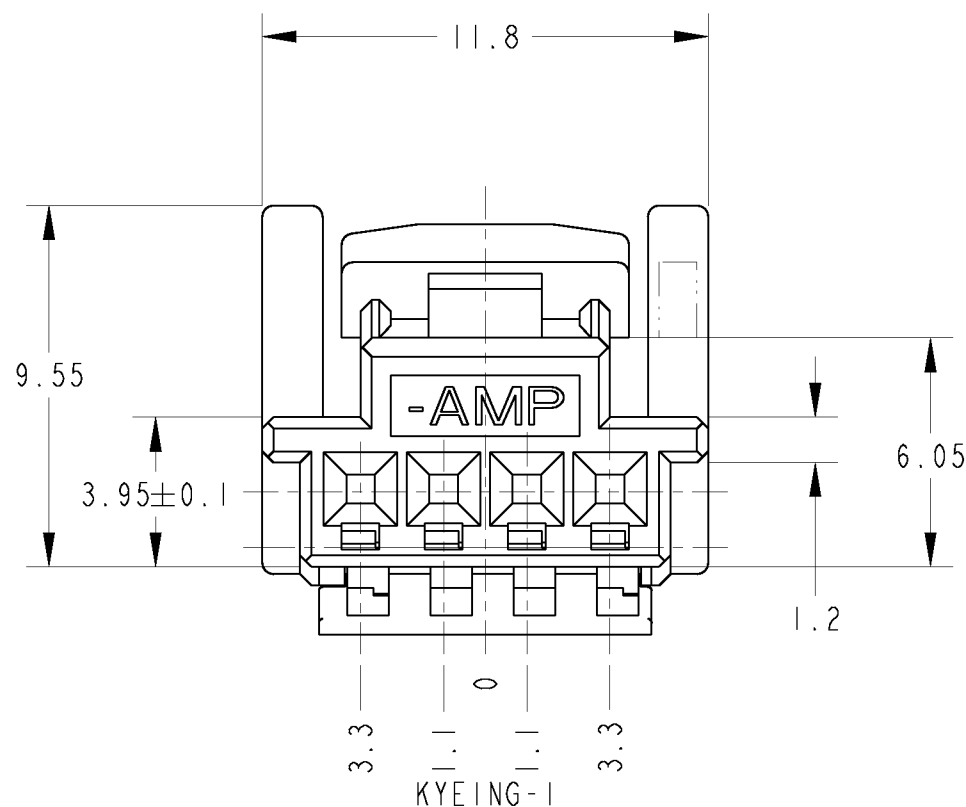
ALL RIGHTS RESERVED.

P	LTR	DESCRIPTION	DATE	DWN	APVD
	B1	REVISED PER ECO-11-005140	05APR2011	RK	HMR



1. DOUBLE LOCK SHOULD BE SET TO THE PRE-ASSEMBLY POSITION WITHIN THE PLUG HOUSING WHEN SHIPPED TO THE CUSTOMER

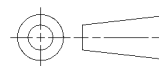
1. ダブルロックは、仮係止状態で出荷される。



KYEING-2	GRAY	1473672-2
KYEING-1	NATURAL	1473672-1
KYEING	COLOR	PART NUMBER

THIS DRAWING IS A CONTROLLED DOCUMENT.

DIMENSIONS:
単位: ㎜



TOLERANCES UNLESS OTHERWISE SPECIFIED:

一般公差	±0.3
0-PLC	±
1-PLC	±0.1
2-PLC	±0.01
3-PLC	±0.001
4-PLC	±0.0001
ANGLES	±1'00"

MATERIAL
材料 PBT

FINISH
仕上 -

DWN D. MATSUURA 20NOV01

CHK T. KOHNO 20NOV01

APVD N. SAI 20NOV01

PRODUCT SPEC

108-5660

APPLICATION SPEC

WEIGHT 1.0 g

CUSTOMER DRAWING

STE TE Connectivity

NAME 025 4POSITION PLUG HOUSING

SIZE A3	CAGE CODE 00779	DRAWING NO. C=1473672	RESTRICTED TO -
---------	-----------------	-----------------------	-----------------

SCALE 5:1 SHEET 1 OF 1 REV B1